

**SHAPE UP...  
FOR SUPERIOR  
PERFORMANCE.**

**EL**

**SERIES**

**STEEL  
DUMP  
BODY**



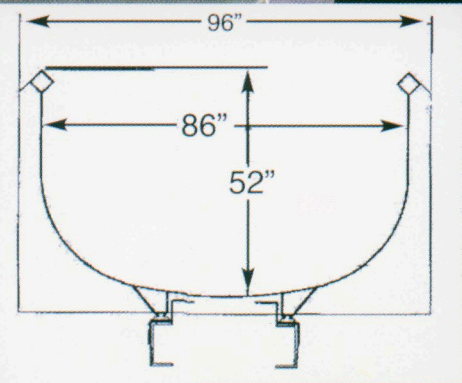
Our new *EL Series* offers a number of innovative features such as the elliptical bed shape for a lower center of gravity and quicker load discharge. The tough AR 400 steel deck provides increased deck strength and life. A new dual position air operated high-lift tailgate (conventional spreader operation with chains as well as 7' high lift capabilities) results in much quicker turn around time. The unique "crossmemberless" body allows for much faster after-work cleanup. These enhancements, plus numerous other *EL* features will maximize your productivity.

**RS** Truck Body Co., LLC

**Godwin**

Ivel, Kentucky 41642

(606) 874-2151 (800) 826-7413



## EL SERIES STEEL DUMP BODY

LENGTH / MODELS	SIDE HT.	TAILGATE HT.
13' 63106 13 9652EL	52"	56"
14' 63106 14 9652EL	52"	56"
15' 63118 15 9652EL	52"	56"
16' 63127 16 9652EL	52"	56"
17' 63142 17 9652EL	52"	56"
18' 73151 18 9652EL	52"	56"
19' 74154 19 9652EL	52"	56"
20' 74170 20 9652EL	52"	56"

### STANDARD EL FEATURES

Stop/Tail/Turn lights  
Full length fenders Aluminum tarp arms

Choice of color, **PPG Delfleet paint**  
Spreader chain

### EL OPTIONS

Side decals  
Conventional spreader only gate  
**AR450** steel sides/tailgate  
Mesh or asphalt tarp Lift axle  
LED lights Air PTO control  
Air Feathering control  
Toolboxes  
Tapered tailgate  
Asphalt taper Bed liner  
Aluminum side and front mount oil tank  
Wood boards  
Extruded aluminum boards  
Spreader apron  
Offset cabshield  
Optional cabshield length  
Aluminum control box  
Chrome exhaust S-pipe  
High lift air/conventional tailgate (works both ways)