



Fisher Engineering

95150, 95160, 95180-3, 95190-3

50 Gordon Drive, Rockland, Maine 04841-2139 • www.fisherplows.com

July 15, 2020

Lit. No. 74915, Rev. 02



Blade and Off-Truck Kit

EZ-V[®] 7'6" Snowplow

Parts List

EZ-V® 7'6" BLADE COMPONENTS 4

 Blade Components – EZ-V Blades SS 4

 Blade Components – EZ-V Blades MS 6

EZ-V OFF-TRUCK KITS 8

 Headgear and T-Frame Components 8

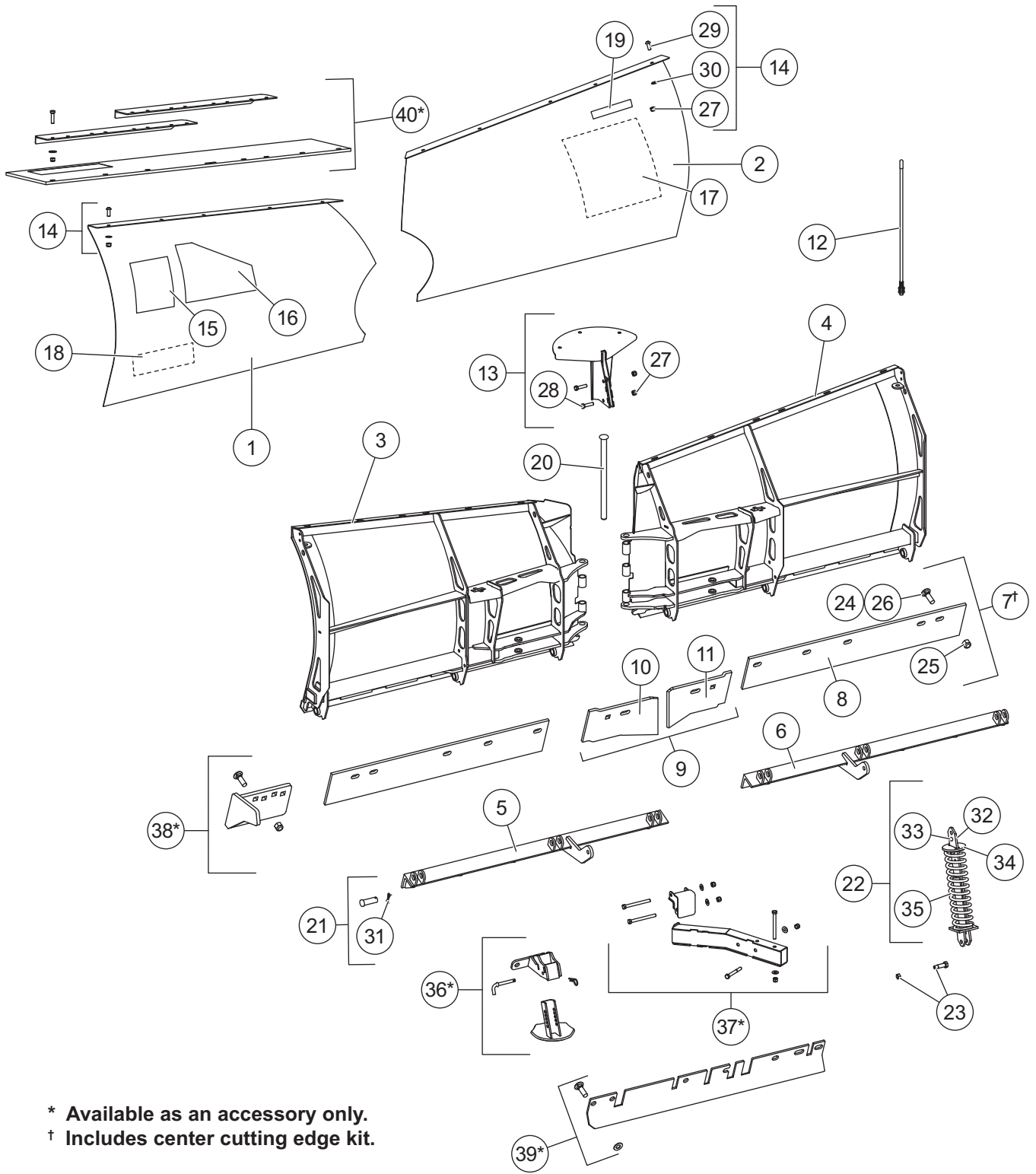
 Hydraulic Unit Components 10

 Lift and Angle Ram Components 12

 Electrical Components 13

 Headlamp Kits 14–15

Blade Components – EZ-V® Blades SS

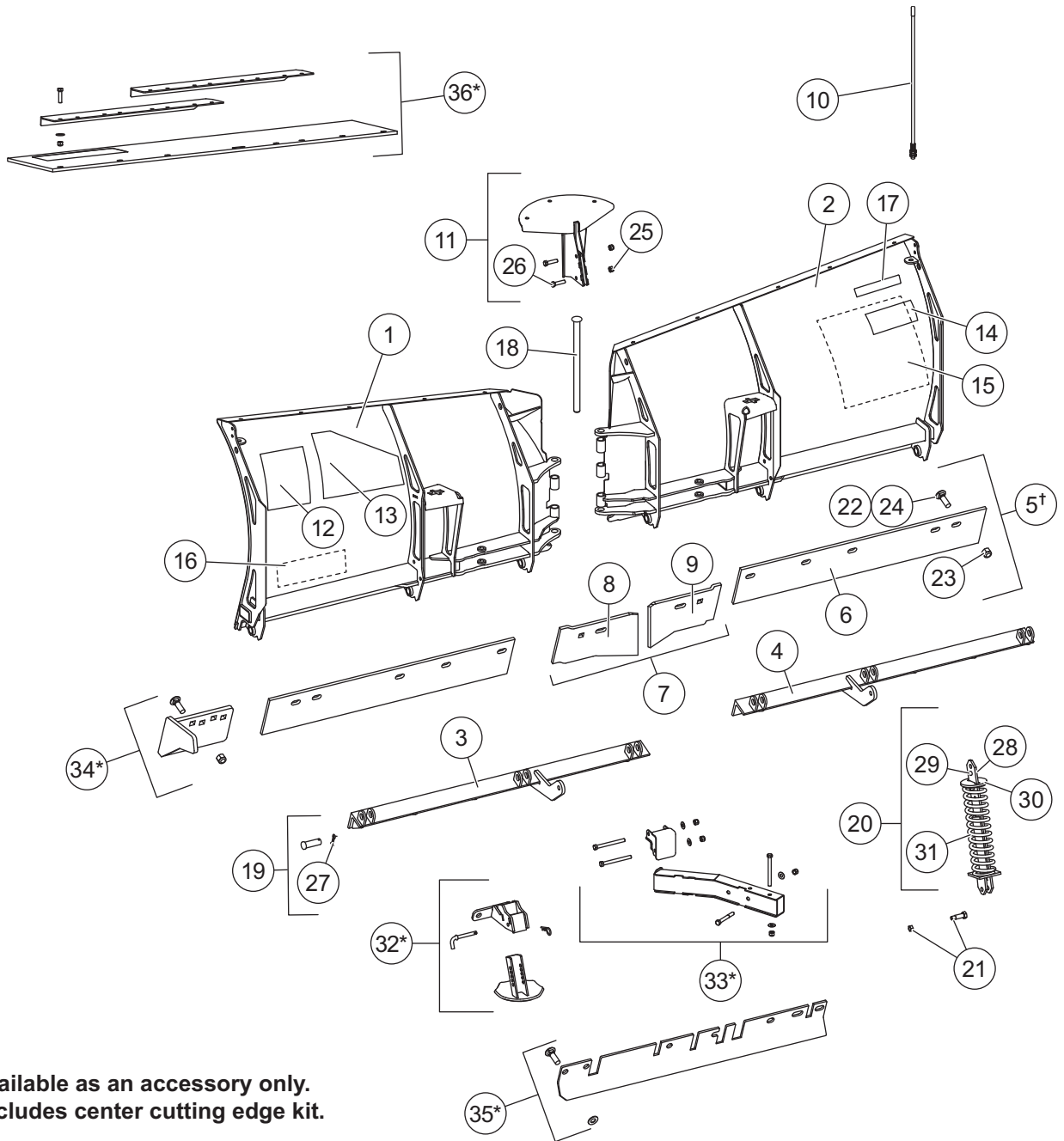


* Available as an accessory only.
 † Includes center cutting edge kit.

EZ-V® 7'6" Blade Components – SS							
Item	Part	Qty	Description	Item	Part	Qty	Description
1	79714	1	Moldboard Kit, SS – DS [‡]	10	79972	1	Center Cutting Edge (3/8") – DS
2	79715	1	Moldboard Kit, SS – PS [‡]		44891-1*	1	Center Cutting Edge (1/2") – DS
3	79755	1	Frame, Base Angle, Spring Assy – DS	11	79973	1	Center Cutting Edge (3/8") – PS
4	79756	1	Frame, Base Angle, Spring Assy – PS		44890-1*	1	Center Cutting Edge (1/2") – PS
5	79731	1	Base Angle – DS	12	27195	1	Flexible Blade Guide Set – 26"
6	79732	1	Base Angle – PS	13	79733	1	Snow Control Kit
7 [†]	79982	1	Cutting Edge Kit (3/8")	14	43890	1	Moldboard Fasteners Kit
	86866*	1	Poly Cutting Edge Kit – Complete w/Fasteners	15	59900	1	Label – Warning/Caution, Snowplows
	44742-2*	1	Cutting Edge Kit (1/2")	16	27451	1	Label – Attach/Detach, Minute Mount® 2
8	44896-1	1	Cutting Edge (3/8")	17	20238	1	Label – Logo, FISHER® Splatter
	90413*	1	Cutting Edge, Poly – PS	18	72955	1	Label – Logo, EZ-V
	90438*	1	Cutting Edge, Poly – DS	19	81934	1	Label – Blade Size & Serial Number
	44996-1*	1	Cutting Edge (1/2")	ns	42490	1	Label Replacement Kit
9	79977	1	Center Cutting Edge Kit (3/8") w/Fasteners	20	51702	1	Pivot Pin
	44894-1*	1	Center Cutting Edge Kit (1/2")	21	27241	1	1 x 2-3/4 Clevis Pin w/Cotter
				22	21452	2	Removable Spring Assembly
				23	40905	2	Shoulder Bolt w/Locknut
Item 7[†] 79982 Cutting Edge Kit (3/8")							
8	44896-1	2	Cutting Edge (3/8")	25		14	5/8-11 Hex Locknut GB
24		14	5/8-11 x 2 Carriage Bolt G5				
Item 7 86866* Poly Cutting Edge Kit – Complete w/Fasteners							
8	90413*	1	Poly Cutting Edge – DS	25		14	5/8-11 Hex Locknut GB
	90438*	1	Poly Cutting Edge – PS	26		14	5/8-11 x 2-1/2 Carriage Bolt G5
ns	86843	2	Poly Cutting Edge Bar				
Item 7[†] 44742-2* Cutting Edge Kit (1/2")							
8	44996-1	2	Cutting Edge (1/2")	24		14	5/8-11 x 2 Carriage Bolt G5
		1	Center Cutting Edge – PS	25		14	5/8-11 Hex Locknut GB
		1	Center Cutting Edge – DS				
Item 13 79733 Snow Control Kit							
		1	Snow Control	28		2	3/8-16 x 1-1/2 Hex Cap Screw G5
27		2	3/8-16 Hex Locknut GB				
Item 14 43890 Moldboard Fasteners Kit							
27		10	3/8-16 Hex Locknut G5	30		10	3/8 Hardened Washer
29		10	3/8-16 x 1 Button Cap Screw				
Item 21 27241 1 x 2-3/4 Clevis Pin w/Cotter							
31	90601	1	1/4 x 1-1/2 Cotter Pin			1	Clevis Pin 1 x 2-3/4
Item 22 21452 Removable Spring Assembly							
32	21450	1	Removable Spring Bar	34	20191	1	Removable Spring Disc
33	20181	1	1/4 x 1-1/4 Pin	35	5323	1	Trip Spring
Blade Accessories							
36*	74519	1	Shoe Kit (set of 2)	39*	44281-4	1	Back Drag Edge Kit
37*	74528	1	Blade Stop Kit (set of 2)	40*	41812-1	1	Rubber Deflector Kit – 10"
38*	43885	1	Curb Guard Kit (set of 2)				
ns = not shown				SS = Stainless Steel		G = Grade	

* Accessory only.
[†] Includes center cutting edge kit.
[‡] Includes fasteners and labels.

Blade Components – EZ-V® Blades MS

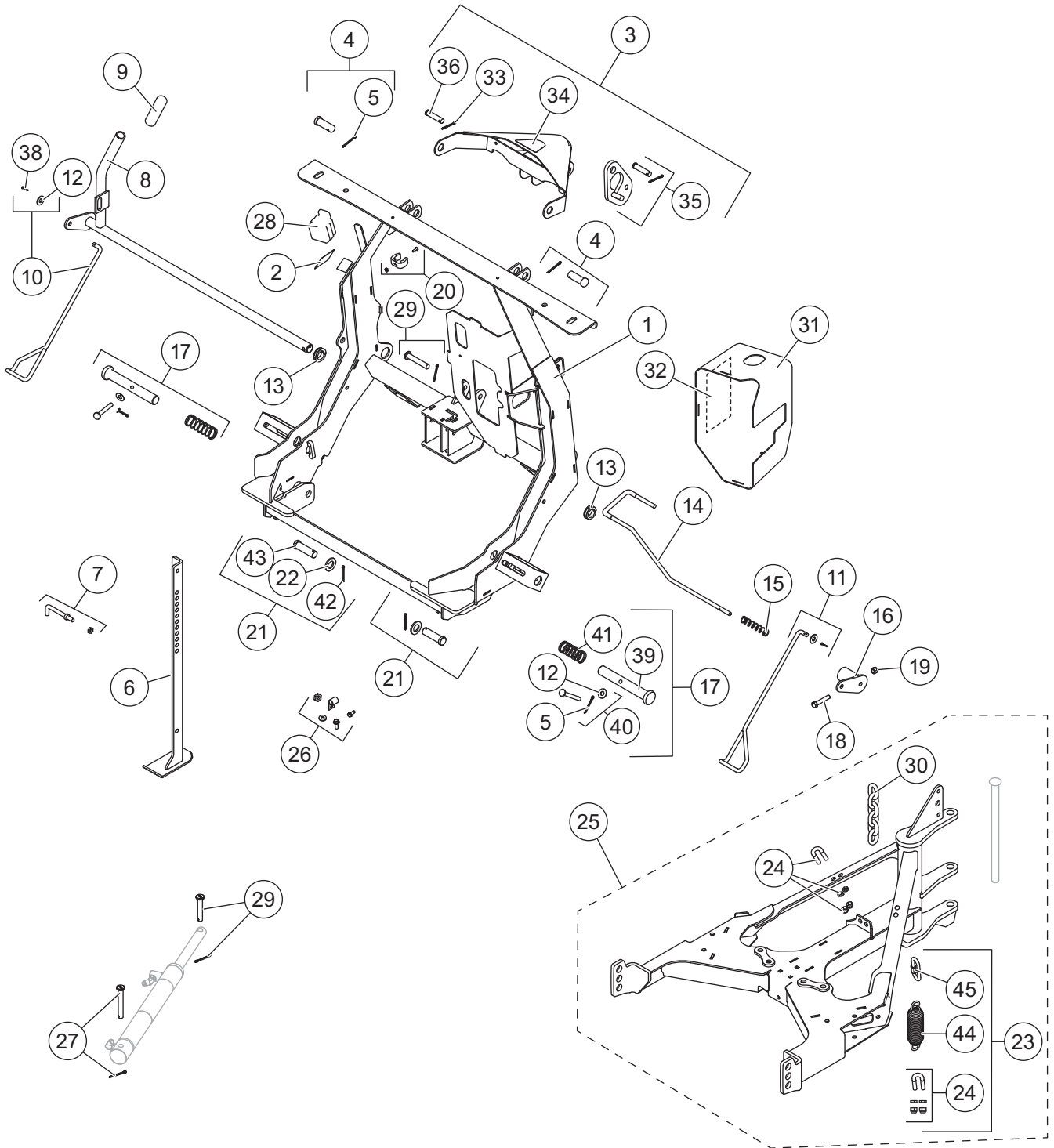


* Available as an accessory only.
† Includes center cutting edge kit.

EZ-V® 7'6" Blade Components – MS							
Item	Part	Qty	Description	Item	Part	Qty	Description
1	79724	1	Frame, Base Angle, Spring Assembly, Moldboard, MS – DS [†]	8	79972	1	Center Cutting Edge (3/8") – DS
2	79725	1	Frame, Base Angle, Spring Assembly, Moldboard, MS – PS [‡]	44891-1*	1	Center Cutting Edge (1/2") – DS	
3	79731	1	Base Angle – DS	9	79973	1	Center Cutting Edge (3/8") – PS
4	79732	1	Base Angle – PS	44890-1*	1	Center Cutting Edge (1/2") – PS	
5 [†]	79982	1	Cutting Edge Kit – Complete (3/8")	10	27195	1	Flexible Blade Guide Set – 26"
	86866*	1	Poly Cutting Edge Kit – Complete w/Fasteners	11	79733	1	Snow Control Kit
	44742-2*	1	Cutting Edge Kit (1/2")	12	59900	1	Label – Warning/Caution, Snowplows
6	44896-1	1	Cutting Edge – One Side (3/8")	13	27451	1	Label – Attach/Detach, Minute Mount® 2
	90413*	1	Cutting Edge, Poly – PS	14	40986	1	Label – Logo, STORM GUARD™ (MS moldboard)
	90438*	1	Cutting Edge, Poly – DS	15	20238	1	Label – Logo, FISHER® Splatter
	44996-1*	1	Cutting Edge (1/2")	16	72955	1	Label – Logo, EZ-V
7	79977	1	Center Cutting Edge Kit (3/8") w/Fasteners	17		1	Label – Blade Size & Serial Number
	44894-1*	1	Center Cutting Edge Kit (1/2")	ns	42490	1	Label Replacement Kit
				18	51702	1	Pivot Pin
				19	27241	1	1 x 2-3/4 Clevis Pin w/Cotter
				20	21452	2	Removable Spring Assembly
				21	40905	2	Shoulder Bolt w/Locknut
Item 5[†] 79982 Cutting Edge Kit (3/8")							
6	44896-1	2	Cutting Edge (3/8")	23		14	5/8-11 Hex Locknut GB
22		14	5/8-11 x 2 Carriage Bolt G5				
Item 5 86866* Poly Cutting Edge Kit – Complete w/Fasteners							
6	90413*	1	Cutting Edge, Poly – PS	23		14	5/8-11 Hex Locknut GB
	90438*	1	Cutting Edge, Poly – DS	24		14	5/8-11 x 2-1/2 Carriage Bolt G5
ns	86842	2	Poly Cutting Edge Bar				
Item 5[†] 44742-2* Cutting Edge Kit (1/2")							
6	44996-1	2	Cutting Edge (1/2")	22		14	5/8-11 x 2 Carriage Bolt G5
		1	Center Cutting Edge – PS	23		14	5/8-11 Hex Locknut GB
		1	Center Cutting Edge – DS				
Item 11 79733 Snow Control Kit							
		1	Snow Control	26		2	3/8-16 x 1-1/2 Hex Cap Screw G5
25		2	3/8-16 Hex Locknut GB				
Item 19 27241 1 x 2-3/4 Clevis Pin w/Cotter							
27	90601	1	1/4 x 1-1/2 Cotter Pin			1	Clevis Pin 1 x 2-3/4
Item 20 21452 Removable Spring Assembly							
28	21450	1	Removable Spring Bar	30	20191	1	Removable Spring Disc
29	20181	1	1/4 x 1-1/4 Pin	31	5323	1	Trip Spring
Blade Accessories							
32*	74519	1	Shoe Kit (set of 2)	35*	44281-4	1	Back Drag Edge Kit
33*	74528	1	Blade Stop Kit (set of 2)	36*	41812-1	1	Rubber Deflector Kit – 10"
34*	43885	1	Curb Guard Kit (set of 2)				
ns = not shown				MS = Mild Steel		G = Grade	

* Accessory only.
[†] Includes center cutting edge kit.
[‡] Includes fasteners and labels.

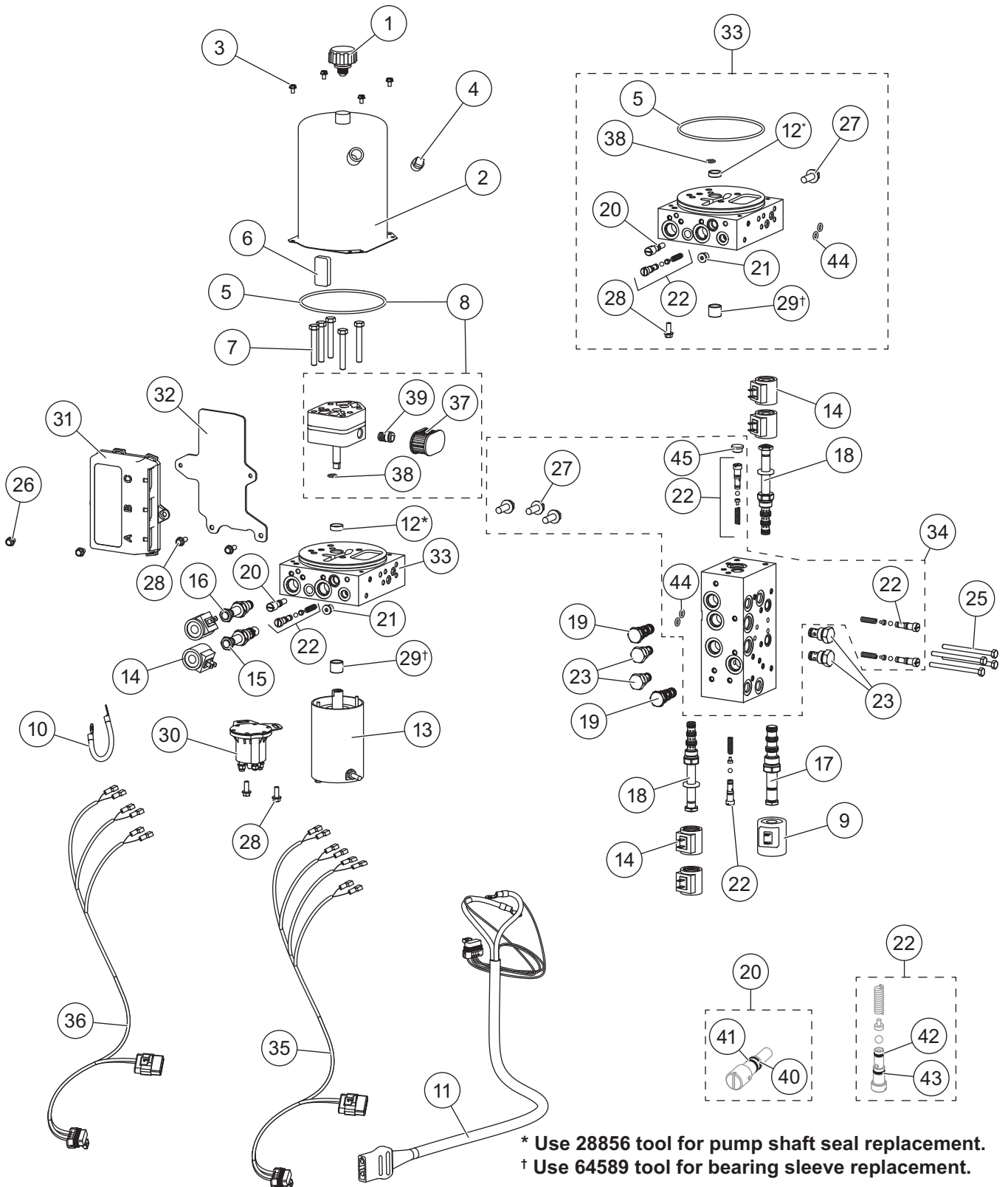
Headgear and T-Frame Components



Item	Part	Qty	Description	Item	Part	Qty	Description
1	79735	1	Headgear*	17	27168K	2	Connecting Pin Kit
2	69689	1	Label – Logo, SECURITY GUARD™	18		1	3/8-16 x 2 Hex Cap Screw G5
3	79738	1	Lift Arm Kit (yellow)	19		4	3/8-16 Hex Locknut GB
	79739	1	Lift Arm Kit (silver)	20	27162K-1	1	Stop Clip Kit
4	4289K	2	3/4 x 2 Machine Pin Packet	21	78750	2	3/4 x 2-1/2 Pin Kit
5	90658	5	5/32 x 1-1/4 Cotter Pin	22	91147	2	3/4 Flat Washer Type A Narrow
6	79744	1	Jack	23	49521	1	Spring/U-Bolt/Link Kit
7	27164K	1	Handle Kit	24	A6148K	3	U-Bolt Assembly Packet
8	79746	1	Handle, Link Arm Assembly	25	79742	1	T-Frame Service Kit
9	27535	1	Handle Cover	26	27172K	1	Clamp Loop Kit
10	27166K	1	Wire Cam Kit – DS	27	84458	2	1/2 x 2-7/8 Clevis Pin HT
11	27167K	1	Wire Cam Kit – PS	28	8284K	1	Cable Boot
12	90315	4	3/8 Flat Washer Type A Wide	29	85199	2	1/2 x 2-7/8 Clevis Pin Kit
13	27163K	1	Bushing Kit (pkg of 2)	30	27912-1	1	5/16 Grade 43 Chain Bag
14	27478	1	Jack Lock	31	79721	1	Hydraulic Cover (incl. item 32)
15	27461	1	3/4 OD x 3-1/2 Compression Spring	32	74081	1	Label – Information, Hydraulic
16	79745	1	Link Arm				
Item 3 79738 (yellow) / 79739 (silver) Lift Arm Kit							
33	90601	1	1/4 x 1-1/2 Cotter Pin	36	84399	1	1/2 x 2-1/8 Clevis Pin HT
34	26777	1	Label – Nameplate, Minute Mount® 2	37	29037	1	5/8 x 2-5/8 Clevis Pin G8 w/Cotter
35	28991	1	Stop Link Kit				
Item 4 4289K 3/4 x 2 Machine Pin Packet							
	1	3/4 x 2 Pin		5	90658	1	5/32 x 1-1/4 Cotter Pin
Item 10 27166K Wire Cam Kit – DS							
	1	Wire Cam – DS		38	91902	1	1/8 x 1 Cotter Pin
12	1	3/8 Flat Washer Type A Wide					
Item 11 27167K Wire Cam Kit – PS							
	1	Wire Cam – PS		38	91902	1	1/8 x 1 Cotter Pin
12	1	3/8 Flat Washer Type A Wide					
Item 17 27168K Connecting Pin Kit							
39	26833	1	1 x 6-15/16 Pin	41	821	1	1 ID x 3-1/2 Compression Spring
40	26219	1	Clevis Pin Kit				
Item 21 78750 3/4 x 2-1/2 Pin Kit							
22	91147	1	3/4 Flat Washer Type A Narrow	43		1	3/4 x 2-1/2 Pin
42	91911K	1	5/32 x 1-1/2 Cotter Pin Kit				
Item 23 49521 Spring/U-Bolt/Link Kit							
24	A6148K	1	U-Bolt Assembly Packet	45	68340	1	Quick Link
44	27074	1	Spring				
Item 25 79742 T-Frame Service Kit							
	1	T-Frame		24	A6148K	2	U-Bolt Assembly Packet
	51702	1	Pivot Pin (shown w/blade components)	30	27912-1	1	5/16 Grade 43 Chain Bag
23	49521	1	Spring/U-Bolt/Link Kit				
Item 35 28991 Stop Link Kit							
	1	Stop Link		29037	1	5/8 x 2-5/8 Clevis Pin G8 w/Cotter	
Item 40 26219 Clevis Pin Kit							
	1	Clevis Pin		12	90315	1	3/8 Flat Washer Type A Wide
5	90658	1	5/32 x 1-1/4 Cotter Pin				
ns = not shown		HT = Heat Treated			G = Grade		

* Includes fasteners and labels.

Hydraulic Unit Components



95150, 95160, 95180-3, 95190-3

77398 EZ-V® 7'6" Hydraulic Unit							
Item	Part	Qty	Description	Item	Part	Qty	Description
1	21727-2	1	Breather Pressure Control	19	77391	2	Valve, PO Check
2	77394	1	Reservoir Kit	20	48517	1	Quill
3		4	#10-24 x 5/16 Machine Screw	21	44344	1	Plug, Hex Socket -4 M ORB
4	92079	1	Plug, Square 3/8 NPTF	22	7629K-4	3	Relief Valve Kit (2 sets)
5	66519	1	O-Ring 2-250	23	84934	4	Check Valve
6	73897	1	Magnet	25		4	1/4-20 x 3-1/2 Hex Cap Screw G5
7		5	5/16-18 x 2-1/4 Hex Cap Screw G5	26		2	1/4-20 x 3/8 Hex WHTR Screw
8	52553	1	Pump Kit	27		3	3/8-16 x 1 Serr. Flange Hex Cap Screw
9	84901	1	Coil 10 w/Spades	28		4	1/4-20 x 5/8 Hex WHTR Screw
10	29071	1	Cable Assembly, 8"	29 [†]	56364	1	Bearing Sleeve
11	42015	1	Cable Assembly, Plow	ns	64596-1	1	Sleeve Bearing & Shaft Seal Kit
12*	66515	1	Pump Shaft Seal	30	52290	1	Motor Relay
13	48543-1	1	Motor Assembly 3"	31	52292-2	1	Plow Module
14	7639K-2	6	Coil w/Spade Terminals	32	52293-1	1	Module Plate
15	44331	1	Valve, SVCV08-20 w/Nut	33	77396	1	Primary Manifold, w/o Valves
16	7634K-2	1	Valve, 2-Way w/Nut	34	77397	1	Secondary Manifold, w/o Valves
17	84900	1	Valve, 4-Way SV10-43 w/Nut	35	52215	1	Plow Control Harness, 4-Coil
18	52285	2	Valve, 4-Way 3-Position Closed Ctr [§]	36	52217	1	Plow Control Harness, 3-Coil
Item 2				77394 Reservoir Kit			
		1	Reservoir	4	92079	1	Plug, Square 3/8 NPTF
3		4	#10-24 x 5/16 Machine Screw	5	66519	1	O-Ring 2-250
Item 8				52553 Pump Kit			
		1	Pump	38	56274	1	O-Ring -013
5	66519	1	O-Ring 2-250	39	10887	1	Hydraulic Pump Inlet Fitting
37	26781-4	1	Suction Filter				
Item 20				48517 Quill			
40	48239	1	O-Ring -106	41	48240	1	Back-Up Ring -106
Item 22				7629K-4 Relief Valve Kit			
42	55371	6	O-Ring -008	43	25731	6	O-Ring -010
Item 32				52293-1 Module Plate			
		1	Module Plate	28		4	1/4-20 x 5/8 Hex WHTR Screw
26		1	1/4-20 x 3/8 Hex WHTR Screw				
Item 33				77396 Primary Manifold w/o Valves			
5	66519	1	O-Ring 2-250	27		3	3/8-16 x 1 Serr. Flange Hex Cap Screw
12*	66515	1	Pump Shaft Seal	28		4	1/4-20 x 5/8 Hex WHTR Screw
20	48517	1	Quill	29 [†]	56364	1	Bearing Sleeve
21	44344	1	Plug, Hex Socket -4 M ORB	38	56274	1	O-Ring -013
22	7629K-4	1/2	Relief Valve Kit (2 sets)	44	43818	2	O-Ring -109
Item 34				77397 Secondary Manifold w/o Valves			
22	7629K-4	2	Relief Valve Kit (2 sets)	44	43818	2	O-Ring -109
27		3	3/8-16 x 1 Serr. Flange Hex Cap Screw	45	56808	1	Plug
				64596-1 Sleeve Bearing & Shaft Seal Kit			
5	66519	1	O-Ring 2-250	29 [†]	56364	1	Bearing Sleeve
12*	66515	1	Pump Shaft Seal	38	56274	1	O-Ring -013
				O-Ring Service Kits			
ns	52298-2		O-Ring Kit (no O-rings for valves)	ns	49259-2		Seal Kit, 3-Way and 4-Way Valve
ns	49258-2		Seal Kit, 2-Way Valves	ns	84909		Seal Kit, Size 10, 3-Way & 4-Way Valve
ns = not shown		M = Male		G = Grade		WHTR = Washer Head Thread-Rolling	

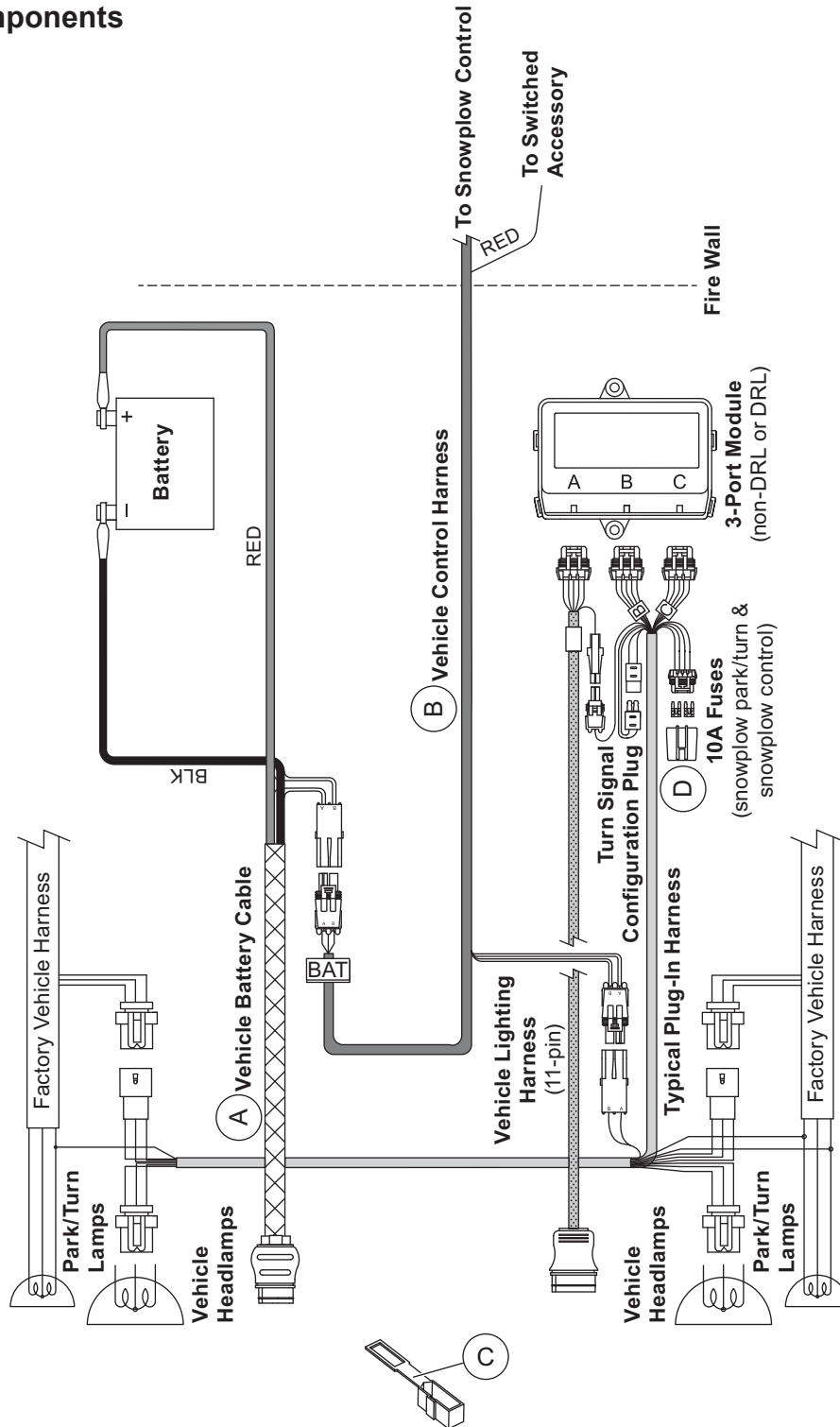
* Use 28856 tool for pump shaft seal replacement (includes 1 seal).

§ Includes nut and spacer.

† Use 64589 tool for bearing sleeve replacement (includes 1 bearing).

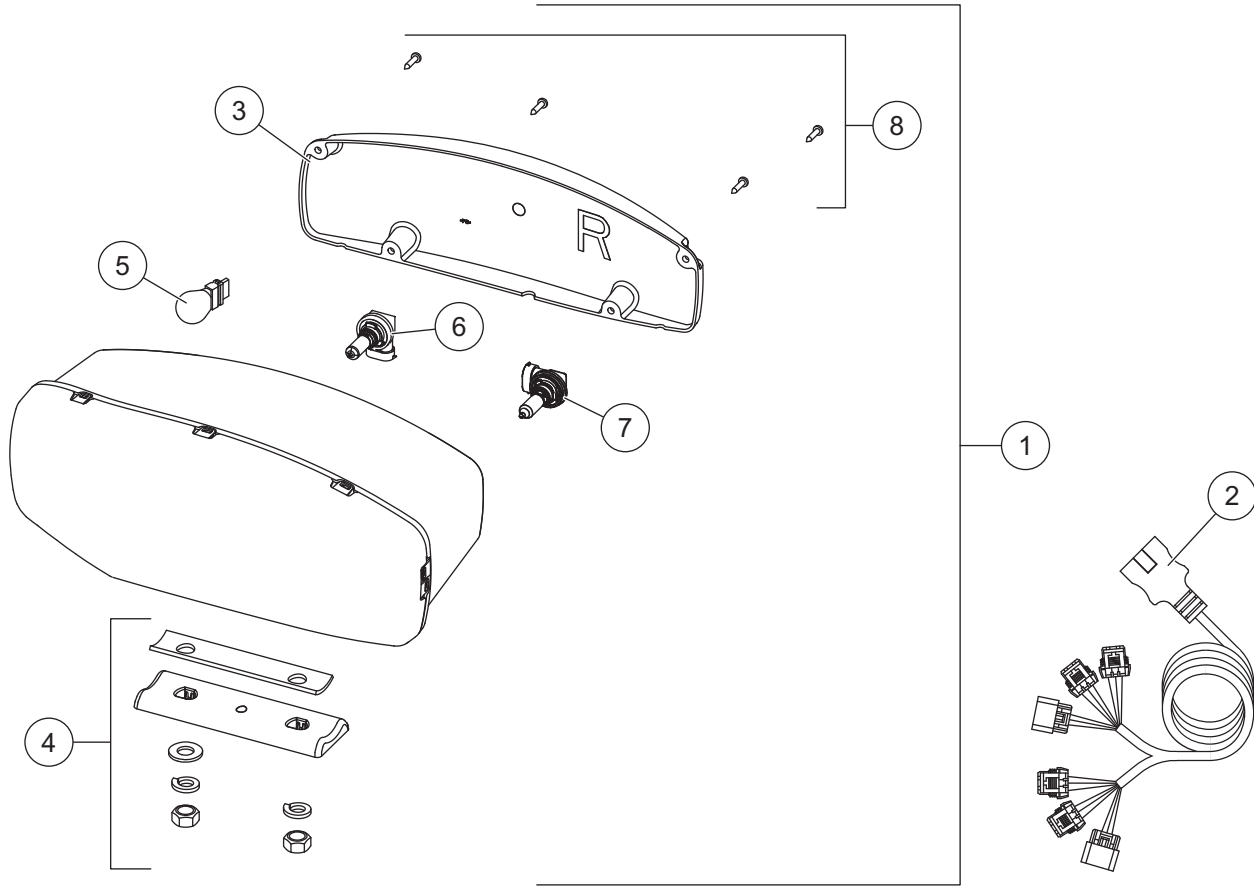
Go to www.fisherplows.com for hydraulic unit service information and specifications.

Electrical Components



Vehicle-Side Electrical Components							
Item	Part	Qty	Description	Item	Part	Qty	Description
A	72527	1	Vehicle Battery Cable	D	29998	1	Fuse Cover (pkg of 5)
B	28587	1	Vehicle Control Harness	ns	56099	1	Dielectric Grease
C	61548K	1	Plug Cover Kit				

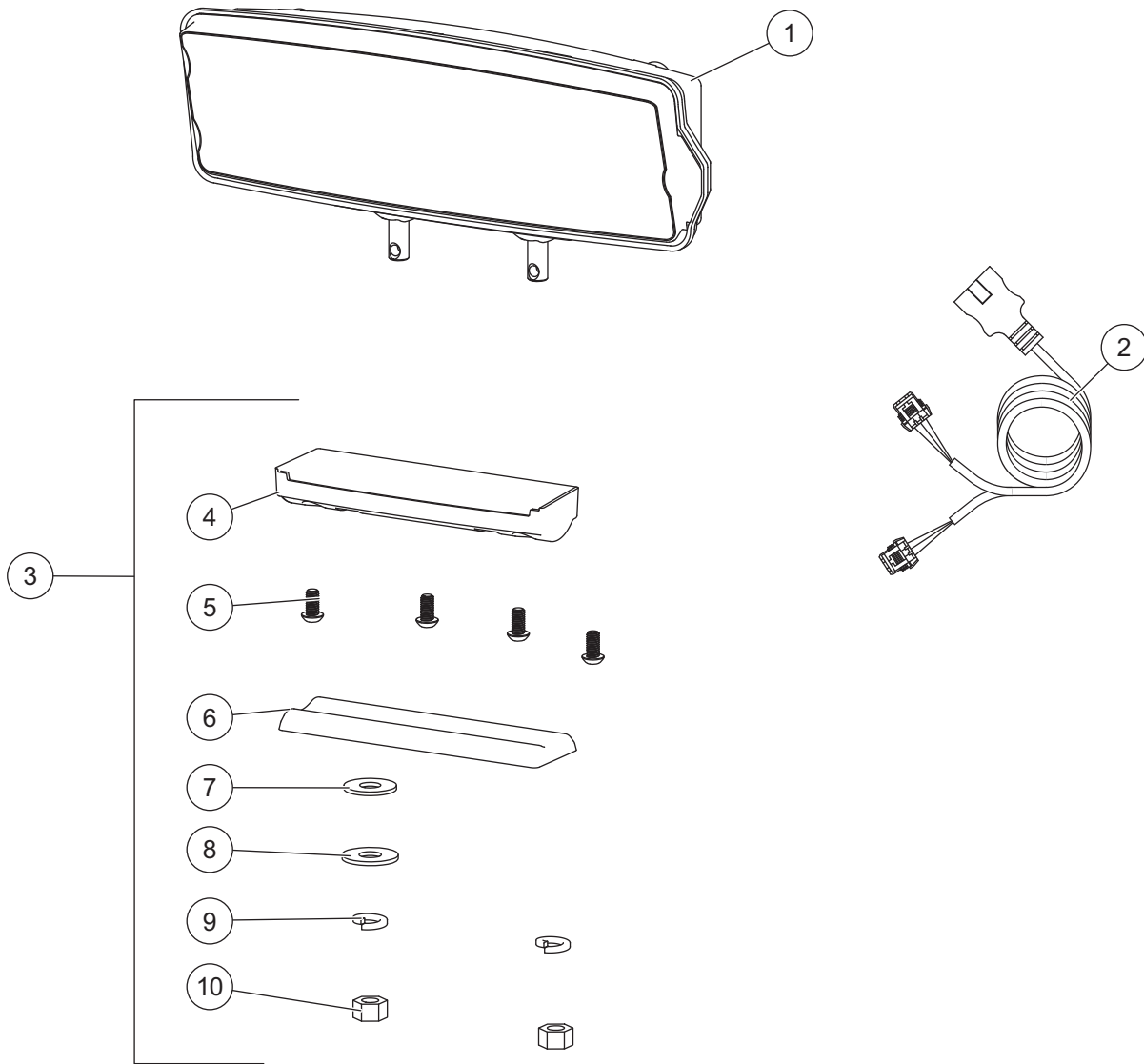
Headlamp Kit – Halogen



38800 Headlamp Kit H9/H11 (pair)							
Item	Part	Qty	Description	Item	Part	Qty	Description
1	38802	1	Headlamp Service Kit H9/H11 – PS	2	38807	1	Harness Service Kit H9/H11
ns	38801	1	Headlamp Service Kit H9/H11 – DS				
Item 1	38801/38802 Headlamp Service Kit H9/H11 – PS/DS						
3	38803	1	Rear Cover Kit H9/H11 – PS	6	38811	1	Headlamp Bulb Service Kit H11
ns	38812	1	Rear Cover Kit H9/H11 – DS	7	38809	1	Headlamp Bulb Service Kit H9
4	38804	1	Mounting Hardware Kit H9/H11	8	38808	1	Cover Screws Service Kit H9/H11 (pkg of 4)
5		1	Park/Turn Bulb (trade no. 4157NAK)				

ns = not shown

Headlamp Kit – LED



72525 Headlamp Kit LED							
Item	Part	Qty	Description	Item	Part	Qty	Description
1	39901	1	Headlamp Service Kit LED – DS	3	39903	1	Mounting Hardware Kit LED
ns	39902	1	Headlamp Service Kit LED – PS	ns	72512	1	LED Harness Connector Cover (pkg of 2)
2	72548	1	Harness Service Kit LED				
Item 3				39903 Mounting Hardware Kit LED			
4		1	Plastic Casing	8		1	1/2 Flat Washer
5		4	1/4 Button Cap Screw	9		2	1/2 Lock Washer
6		1	Headlamp Swivel	10		2	1/2 Hex Nut
7		1	1/2 Rubber Washer	ns		1	Metal Insert
ns = not shown							



Fisher Engineering
50 Gordon Drive
Rockland, ME 04841-2139
www.fisherplows.com

A DIVISION OF FISHER, LLC

Copyright © 2020 Douglas Dynamics, LLC. All rights reserved. This material may not be reproduced or copied, in whole or in part, in any printed, mechanical, electronic, film, or other distribution and storage media, without the written consent of Fisher Engineering. Authorization to photocopy items for internal or personal use by Fisher Engineering outlets or snowplow owner is granted.

Fisher Engineering reserves the right under its product improvement policy to change construction or design details and furnish equipment when so altered without reference to illustrations or specifications used. Fisher Engineering or the vehicle manufacturer may require or recommend optional equipment for snow removal. Do not exceed vehicle ratings with a snowplow. Fisher Engineering offers a limited warranty for all snowplows and accessories. See separately printed page for this important information. The following are registered (®) or unregistered (™) trademarks of Douglas Dynamics, LLC: EZ-V®, FISHER®, Minute Mount® 2, SECURITY GUARD™, STORM GUARD™.

Printed in U.S.A.