

MECHANICS BODY PAL Pro 20

Mechanics Bodies, Service Cranes & Compressors
built for the modern work truck.

LIFETIME EXCELLENCE



HIGHLIGHTS

The PAL Pro 20 is our newest light-weight mechanics body in 9' and 11' standard configurations built to accommodate service cranes up to 20,000 ft. lbs. of lifting capacity. Designed with two-piece doors bonded with automotive adhesive instead of welding, full length channel drip rails, reinforced raised compartments and compartment tops, 316 marine grade stainless steel hinges, and 3 point latching on all doors for added security. All these features, and more, come standard on the PAL Pro 20 package. Rely on the right equipment for the job with a factory designed, built and tested mechanics body.

NON-MARRING BOOM REST

Optional fixed or adjustable non-marring boom support E-coated black.

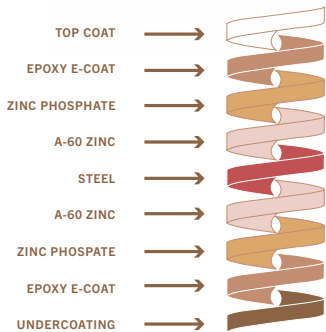
DOOR DESIGN ELIMINATE WELDING

Double panel doors with internal C-channel stiffeners, adhered with structural adhesive.



HINGES SECURITY & RUST PREVENTION

316 marine grade stainless steel hinges with concealed leaves and full length rods for eliminating rust and improved theft prevention



E-COAT CORROSION PROTECTION

PALFINGER'S 12 step electrophoretic deposition dip process cleans the body & applies primer to the metal surfaces, ensuring complete coverage & automotive grade corrosion protection.

SIDEPACK REINFORCED MOUNT UP

All compartment tops are reinforced to prevent fatigue and cracking when heavy items like welders, tool boxes, and compressors are mounted to the top of your body.

INTERNAL GUSSETS PREVENTS BODY CRACKING

Every raised compartment comes with PALFINGER'S engineered gussets for increased protection against the body cracking in the door corner.



With the best equipment for the job, add a competitive edge to your business in a range of industries. Our mechanics trucks are a reliable partner in: Construction, Roadway, Railway, Agriculture, Oil & Gas, Mining, Utilities and Municipalities.

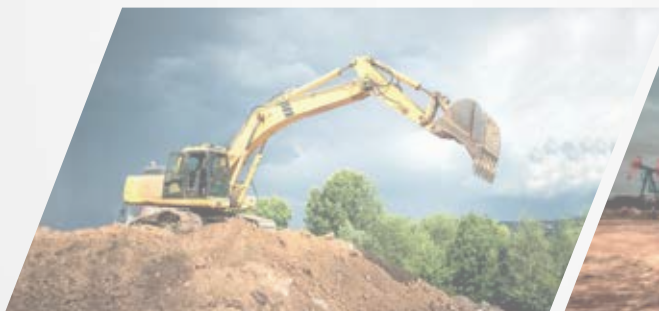
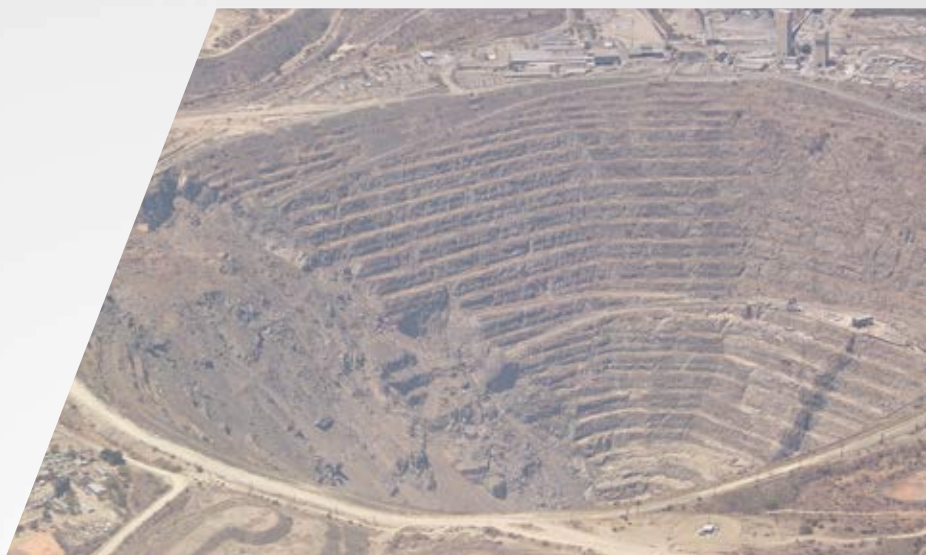


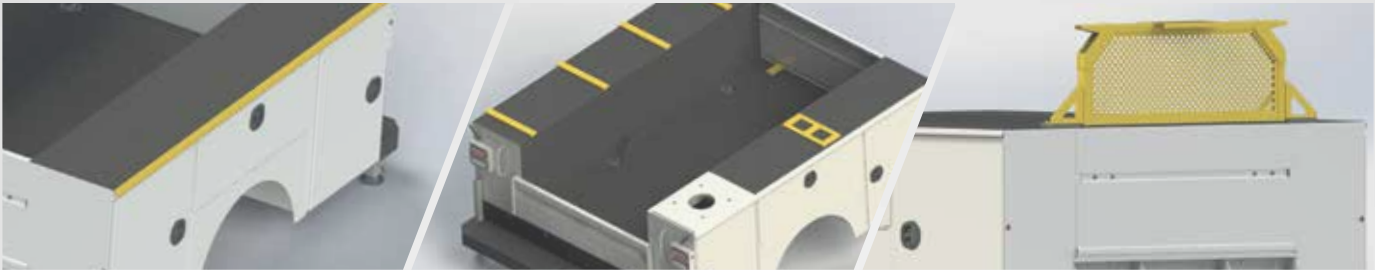
APPLICABLE CRANE MODELS

- PSC 3216
- PSC 4016
- PSC 4025

APPLICABLE COMPRESSORS

- PRC 45V





**DRIP RAIL
STAY DRY**

Full length channel drip rails divert water away from the compartment openings.

**THREADED WELDMENT OPTIONS
TO PROTECT YOUR BODY**

Boom Rest, Welder, Compressor, EnPak, Air-n-Arc and AirPak mounts are available from the factory to eliminate the need to drill holes in the body.

**HEADACHE RACK
SAVES COSTLY REPAIRS**

This light bar bracket with a punched screen prevents cargo area contents from making contact with the rear window of the cab - saving you from costly rear window repairs and cleanup.



**ALUMINUM DIVIDER TRAYS
LIGHT WEIGHT SHELVEING**

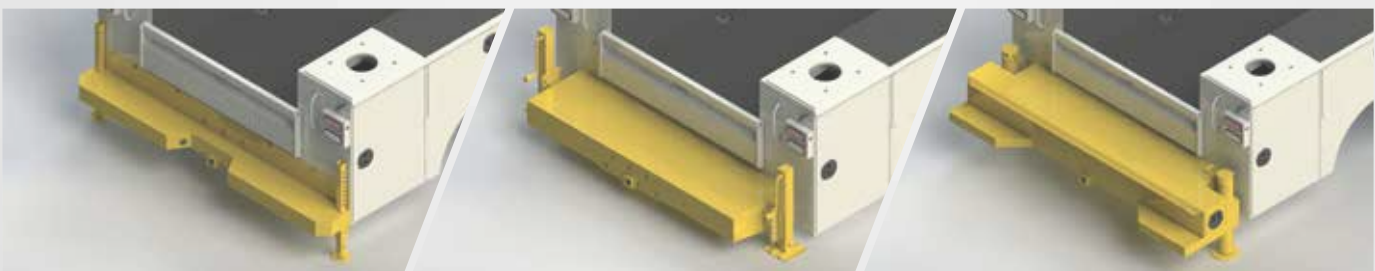
Aluminum divider trays designed to reduce weight and resist corrosion.

**ALUMINUM ROLL OUT DRAWERS
LIGHT WEIGHT STORAGE**

Tool drawer units options available in aluminum with 4 longitudinal dividers and padded floors.

**3 POINT COMPRESSION LATCHES
IMPROVED SECURITY & SEALING**

Latches are designed for added security and greater contact with the automotive bulb seal on the door frame.



**STEP BUMPERS
LIGHT WEIGHT LOAD SPACE ACCESS**

10" or 17" tread plate step bumper with recess for receiver hitch and crank down outriggers or drop down stabilizers.

**20" WORK BENCH BUMPER
HEAVY DUTY WORK SURFACE**

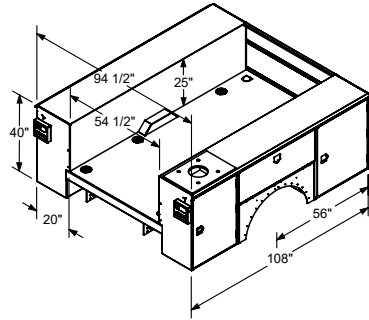
20" deep work bench bumper with bolt on manual outriggers and hitch receiver.

**WORK BENCH W/ THRU COMPARTMENT
STORAGE & HEAVY DUTY WORK SURFACE**

12" or 21" work bench bumper with through compartment, cross tube for extending manual or hydraulic outriggers and hitch receiver.

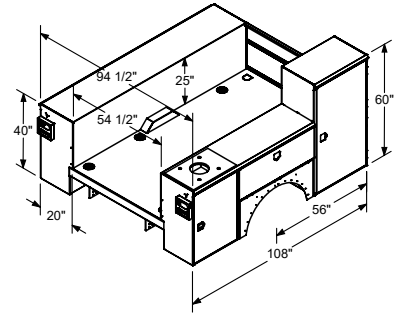
TECHNICAL SPECIFICATIONS

20-9



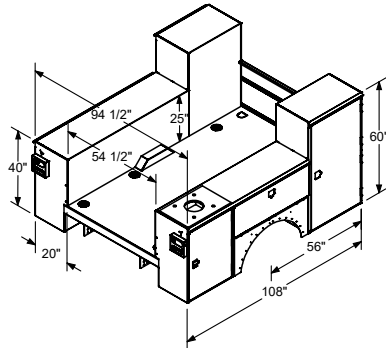
9' standard configuration
 40" tall compartment heights
 14" tall one handed tailgate
 Reinforced compartment tops

20-9CS



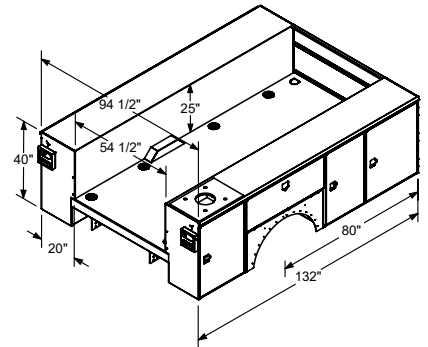
9' standard configuration
 40" tall compartment heights
 CS front compartment raised to 60"
 14" tall one handed tailgate
 Reinforced compartment tops
 Reinforced raised compartment

20-9SSCS



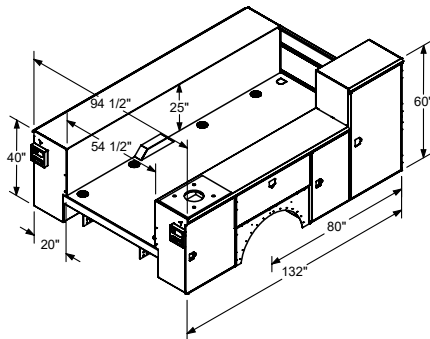
9' standard configuration
 40" tall compartment heights
 SS & CS front compartment raised to 60"
 14" tall one handed tailgate
 Reinforced compartment tops
 Reinforced raised compartments

20-11



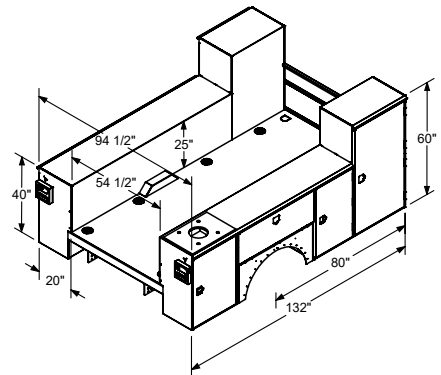
11' standard configuration
 40" tall compartment heights
 14" tall one handed tailgate
 Reinforced compartment tops

20-11CS



11' standard configuration
 40" tall compartment heights
 CS front compartment raised to 60"
 14" tall one handed tailgate
 Reinforced compartment tops
 Reinforced raised compartment

20-11SSCS



11' standard configuration
 40" tall compartment heights
 SS & CS front compartment raised to 60"
 14" tall one handed tailgate
 Reinforced compartment tops
 Reinforced raised compartments

SERVICE CRANE

PRODUCT RANGE

TECHNICAL SPECIFICATIONS

MODEL	CAPACITY	RATED LIFTING MOMENT	MAX LIFTING MOMENT	BOOM EXTENSIONS	POWER OUTREACH	WINCH SPEED	STANDARD WEIGHT	CHASSIS SPECIFICATION
PSC 3216 E	4,000 lbs. (1814 kg)	12,500 ft. lbs. (17 kNm (1.7 mt))	14,560 ft. lbs. (19.6 kNm (2.0 mt))	1 Hydraulic + 1 Manual (2 Hydraulic Option)	11.4 ft. (16 ft.) 3.5 m (4.9 m)	18.0 ft./min (5.5 m/min)	650 lbs. (295 kg)	Class 3
PSC 3216 H	4,000 lbs. (1814 kg)	12,500 ft. lbs. (17 kNm (1.7 mt))	14,560 ft. lbs. (19.6 kNm (2.0 mt))	1 Hydraulic + 1 Manual (2 Hydraulic Option)	11.4 ft. (16 ft.) 3.5 m (4.9 m)	28.0 ft./min (8.5 m/min)	630 lbs. (286 kg)	Class 3
PSC 4016 E	4,000 lbs. (1814 kg)	18,500 ft. lbs. (25.1 kNm (2.6 mt))	23,235 ft. lbs. (31.4 kNm (3.2 mt))	1 Hydraulic + 1 Manual (2 Hydraulic Option)	11.4 ft. (16 ft.) 3.5 m (4.9 m)	18.0 ft./min (5.5 m/min)	650 lbs. (295 kg)	Class 3
PSC 4016 H	4,000 lbs. (1814 kg)	18,500 ft. lbs. (25.1 kNm (2.6 mt))	23,235 ft. lbs. (31.4 kNm (3.2 mt))	1 Hydraulic + 1 Manual (2 Hydraulic Option)	11.4 ft. (16 ft.) 3.5 m (4.9 m)	40.0 ft./min (12.2 m/min)	630 lbs. (286 kg)	Class 3
PSC 4025 E	4,000 lbs. (1814 kg)	18,500 ft. lbs. (25.1 kNm (2.6 mt))	20,585 ft. lbs. (27.9 kNm (2.9 mt))	2 Hydraulic	25 ft. (7.6 m)	19.0 ft./min (5.8 m/min)	1010 lbs. (458 kg)	Class 3
PSC 4025 H	4,000 lbs. (1814 kg)	18,500 ft. lbs. (25.1 kNm (2.6 mt))	20,585 ft. lbs. (27.9 kNm (2.9 mt))	2 Hydraulic	25 ft. (7.6 m)	40.0 ft./min (12.2 m/min)	995 lbs. (451 kg)	Class 3
PSC 5025 E	5,000 lbs. (2286 kg)	32,500 ft. lbs. (44.2 kNm (4.5 mt))	34,580 ft. lbs. (49.3 kNm (5.0 mt))	2 Hydraulic	25 ft. (7.6 m)	19.0 ft./min (5.8 m/min)	1170 lbs. (530 kg)	Class 4
PSC 5025 H	5,000 lbs. (2286 kg)	32,500 ft. lbs. (44.2 kNm (4.5 mt))	34,580 ft. lbs. (49.3 kNm (5.0 mt))	2 Hydraulic	25 ft. (7.6 m)	34.0 ft./min (10.3 m/min)	1155 lbs. (525 kg)	Class 4
PSC 6025 E	6,000 lbs. (2750 kg)	38,500 ft. lbs. (52.2 kNm (5.3 mt))	43,730 ft. lbs. (58.0 kNm (5.9 mt))	2 Hydraulic	25 ft. (7.6 m)	23.0 ft./min (7.0 m/min)	1280 lbs. (580 kg)	Class 4
PSC 6025 H	6,000 lbs. (2750 kg)	38,500 ft. lbs. (52.2 kNm (5.3 mt))	43,730 ft. lbs. (58.0 kNm (5.9 mt))	2 Hydraulic	25 ft. (7.6 m)	52.0 ft./min (15.8 m/min)	1230 lbs. (560 kg)	Class 4
PSC 4329 H	8,000 lbs. (3650 kg)	43,000 ft. lbs. (58.3 kNm (5.9 mt))	49,180 ft. lbs. (66.5 kNm (6.8 mt))	2 Hydraulic	29.1 ft. (8.9 m)	60 ft./min (18.2 m/min)	2149 lbs. (975 kg)	Class 5
PSC 6229 H	10,800 lbs. (4900 kg)	62,000 ft. lbs. (84.1 kNm (8.6 mt))	68,900 ft. lbs. (93.2 kNm (9.5 mt))	2 Hydraulic	29.1 ft. (8.9 m)	60 ft./min (18.2 m/min)	2407 lbs. (1092 kg)	Class 6
PSC 7229 H	12,500 lbs. (5700 kg)	72,00 ft. lbs. (97.6 kNm (10 mt))	79,450 ft. lbs. (107.7 kNm (11 mt))	2 Hydraulic	29.1 ft. (8.9 m)	60 ft./min (18.2 m/min)	2731 lbs. (1239 kg)	Class 6
PSC 8629 H	14,000 lbs. (6400 kg)	86,000 ft. lbs. (116.6 kNm (11.9 mt))	94,676 ft. lbs. (128.4 kNm (13 mt))	2 Hydraulic	29.1 ft. (8.9 m)	60 ft./min (18.2 m/min)	2833 lbs. (1285 kg)	Class 7



OS - PALPRO20+E / E 02 / 18

Cranes shown in the leaflet are partially optional equipped and do not always correspond to the standard version. All PSC models are subject to change as PALFINGER updates, improves, and technologically advances their cranes and the industry.

Omaha Standard Palfinger
3501 S. 11th Street | Council Bluffs, IA
51501-0876 | USA
T + 1 800 279 2201

PALFINGER.COM