

THE SECOND GENERATION

The Tommy Gate G2 Series is a dual-cylinder, parallel-arm design which utilizes a pair of hydraulic cylinders to lower and raise the lift by applying direct power to both sides of the platform. With forty-two inches of vertical travel, the G2 Series is a great fit for most any service body.

◀ G2-54-1642 TP38

Shown with discontinued recessed light kit. Recessed lights have been replaced by a bolt-on kit.

Hydraulic cylinders are built in-house. Precision cylinder welds are executed by robotic machines, while assembly and testing are done by hand.



G2 SERIES LIFTGATE FEATURES

- Dual hydraulic cylinders
- Virtually maintenance-free components
- Recessed control
- Larger platforms
- Fully-enclosed hydraulic system located within the liftgate mainframe



Dual-drive liftgates provide increased durability for rigorous cycling and have low maintenance requirements. A paint-before-assembly process also increases the longevity of the lift's aesthetics.



MODELS FOR SERVICE BODIES WITH 48" OPENING

TWO-YEAR STANDARD WARRANTY

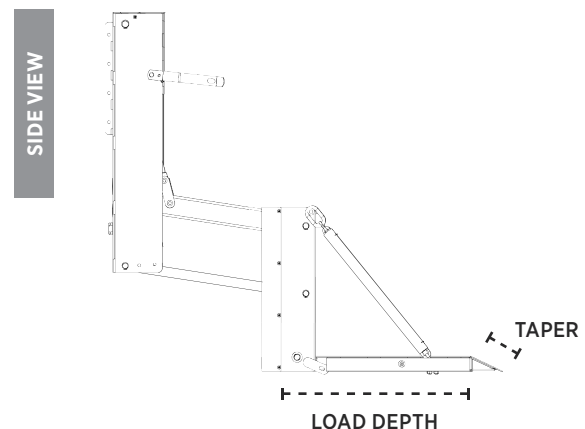
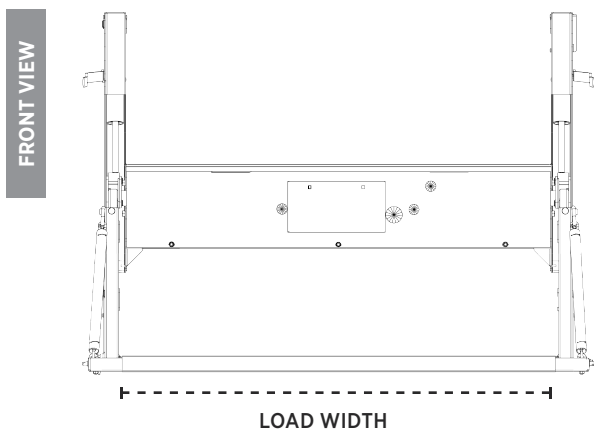
	Model Number	Load Area	Taper	Travel	Platform Fold	Gate Weight
1300 lb. Capacity	<u>Treadplate Platforms</u>					
	G2-54-1342 TP27	49 x 27	4	42	No	415
	G2-54-1342 TP38	49 x 38	4	42	Yes	453
	G2-54-1342 TP42	49 x 42	7	42	Yes	477
	<u>TommyTraction™ Platform</u>					
	G2-54-1342 TT27	50 x 27	4	42	No	416
	<u>Aluminum Platforms</u>					
	G2-54-1342 EA27	49 x 27	6	42	No	375
	G2-54-1342 EA38	49 x 38	6	42	Yes	399
	G2-54-1342 EA48 ¹	49 x 48	6	42	Yes	419
<u>Bar Grate Platform</u>						
G2-54-1342 BG27	50 x 27	4	42	No	422	
1600 lb. Capacity	<u>Treadplate Platforms</u>					
	G2-54-1642 TP27	49 x 27	4	42	No	415
	G2-54-1642 TP38	49 x 38	4	42	Yes	453
	G2-54-1642 TP42	49 x 42	7	42	Yes	477
	<u>TommyTraction™ Platform</u>					
	G2-54-1642 TT27	50 x 27	4	42	No	416
	<u>Aluminum Platforms</u>					
	G2-54-1642 EA27	49 x 27	6	42	No	375
	G2-54-1642 EA38	49 x 38	6	42	Yes	399
	G2-54-1642 EA48 ¹	49 x 48	6	42	Yes	419
<u>Bar Grate Platform</u>						
G2-54-1642 BG27	50 x 27	4	42	No	422	

ADDITIONAL BODY SIZES

Body Opening	Model	Description
54"	60SB	55" Load Area width

1. See applications on page 55.
2. EA48 platform extends 10" above top of liftgate mainframe. See image on page 23.
3. For detailed dimensions, visit www.tommygate.com

G2 SERIES DIMENSIONS ³



FEATURES & OPTIONS

SERVICE BODY

STANDARD FEATURES



	Fixed and Timed Toggle Control	●	●
	Recessed Control	●	-
	Vehicle-specific Mounting Brackets	●	●
	Power Cable with Full-length Ground	●	●
	150-amp Circuit Breaker	●	●
	Maintenance-free Pins and Bushings	●	-
	Drop-away Platform	●	-
	Hitch Compatible	● ¹	● ¹

AVAILABLE OPTIONS



	Remote Pendant Control	●	●
	Dual Controls	●	●
	Rubber Platform Bumpers	●	●
	Bolt-on Light Kit (Incandescent or LED)	●	-
	Bolt-on Light Kit (incandescent or LED)	-	●
	Folding Tire Rack	● ²	● ²
	Galvanized Frame and Platform	● ³	-

- Standard
- Optional
- Not Available

1. Compatible with many hitches. Visit www.tommygate.com to view complete hitch chart.
2. Not compatible with folding platforms. See spec charts.
3. Galvanized option not available with Steel Treadplate platforms. Call factory for ordering details.



PLATFORMS

SERVICE BODY

PLATFORM MATERIALS



	Steel Treadplate	●	●
	Extruded Aluminum	●	●
	TommyTraction	●	●
	Steel Bargrate	●	-

EXTRUDED ALUMINUM (G2 SERIES MODELS SHOWN)

EA38 - 38" Loading Depth



EA48 - 48" Loading Depth (EXTENDS ABOVE TRUCK BOX)



ALUMINUM PLATFORMS ARE COMPRISED OF INTERLOCKING, 6061-T6 AIRCRAFT-QUALITY EXTRUSIONS.

STEEL PLATFORMS (G2 SERIES MODELS SHOWN)

TP27 - 27" Loading Depth



TP38 - 38" Loading Depth



PLATFORM DROP-CHAIN COVERS PROVIDE A QUIETER RIDE.



G2-SERIES GALVANIZING OPTION

A high-quality galvanized finish supports long-lasting performance and appearance in even the most extreme climate conditions.

NOT AVAILABLE WITH STEEL TREADPLATE PLATFORMS. CALL FACTORY FOR ORDERING DETAILS.

