

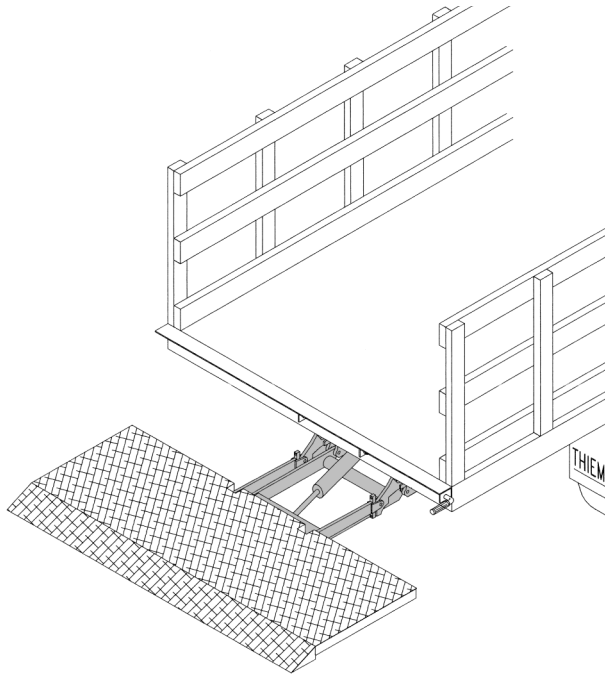
# WEIGHTLIFTER

## Tailgates By **THIEMAN**

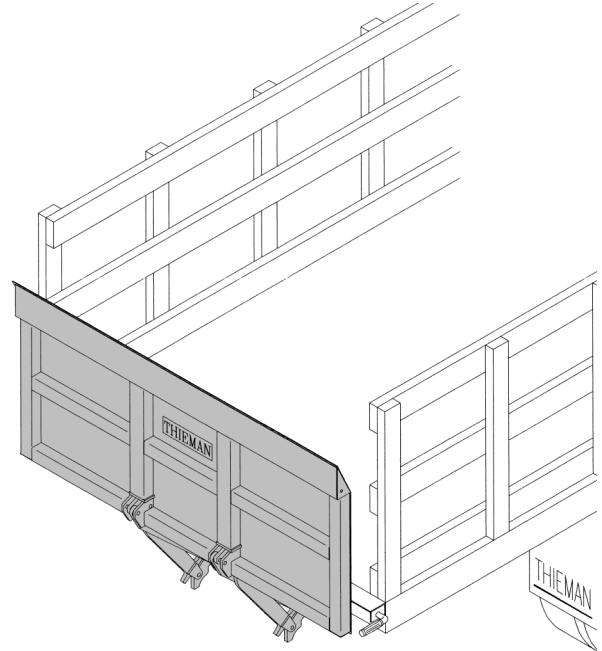
*Raising Performance to New Levels*

### Model TWL

Platform in Loading/Unloading Position



Platform in Travel Position



#### FEATURING:

- Meets TMC Electrical Guidelines
- 66" x 26" to 90" x 32" Platforms
- 1250 to 2000 lb. Capacities
- Cam Activated Power Close Platform
- Gravity Down Lowering
- Adjustable Cylinder Shaft
- Bed Height Range 33"-47" and 37"-52"

Designed for use on stake and van bodies, the THIEMAN TWL series is the most versatile and durable general purpose conventional style liftgate. The TWL features a wide range of bed heights which makes it possible to meet a variety of delivery needs.

The THIEMAN TWL's proven track record of dependability makes it a top choice for many applications.



# Features, Benefits and Specifications

## STANDARD FEATURES AND BENEFITS:

- |   |  |
|---|--|
| <ul style="list-style-type: none"> <li>• Screw in Grease Fittings at All Wear Points for Easier Maintenance</li> <li>• Adjustable Cylinder Shaft for Precise Alignment of Truck Floor and Platform</li> <li>• 150 Amp Circuit Breaker for Electrical Protection</li> <li>• Gravity Down Platform for Less Demand on Power Unit</li> </ul> | <ul style="list-style-type: none"> <li>• Cam Activated, Power Close Platform for Easy Closing</li> <li>• Latch Chain for Increased Safety</li> <li>• Meets All TMC Electrical Guidelines for Reduced Service Requirements</li> </ul> |
|---|--|

## OPTIONS FOR TWL SERIES:

- |  |  |
|--|--|
| <ul style="list-style-type: none"> <li>• Push Button Control</li> <li>• In-Cab Shut Off Switch</li> <li>• Remote Pendant Control</li> <li>• Expanded Metal Platform</li> <li>• Load Area, Ramp Change</li> </ul> | <ul style="list-style-type: none"> <li>• Power Down</li> <li>• PTO Power Source</li> <li>• Square Edge, No Ramp</li> <li>• Power Unit Enclosure</li> </ul> |
|--|--|

Model No.	Platform	Capacity	Lowering	Install Weight	Bed Height Range
TWL-125ET	66" x 26" + 8"	1250 lb.	Gravity	436 lb.	33"-47"
TWL-125ET	78" x 32" + 8"	1250 lb.	Gravity	531 lb.	33"-47"
TWL-125ET	84" x 32" + 8"	1250 lb.	Gravity	546 lb.	33"-47"
TWL-16ET	78" x 32" + 8"	1600 lb.	Gravity	561 lb.	37"-52"
TWL-16ET	84" x 32" + 8"	1600 lb.	Gravity	576 lb.	37"-52"
TWL-16ET	90" x 32" + 8"	1600 lb.	Gravity	596 lb.	37"-52"
TWL-20ET	78" x 32" + 8"	2000 lb.	Gravity	564 lb.	37"-52"
TWL-20ET	84" x 32" + 8"	2000 lb.	Gravity	579 lb.	37"-52"
TWL-20ET	90" x 32" + 8"	2000 lb.	Gravity	599 lb.	37"-52"

ET - Electric w/Toggle Switch Control/Power Close

Distributed By:



600 East Wayne Street  
Celina, Ohio 45822  
Phone: (419) 586-7727 or  
800-524-5210  
Fax: (419) 586-9724  
www.thieman.com  
ttgates@wesnet.com