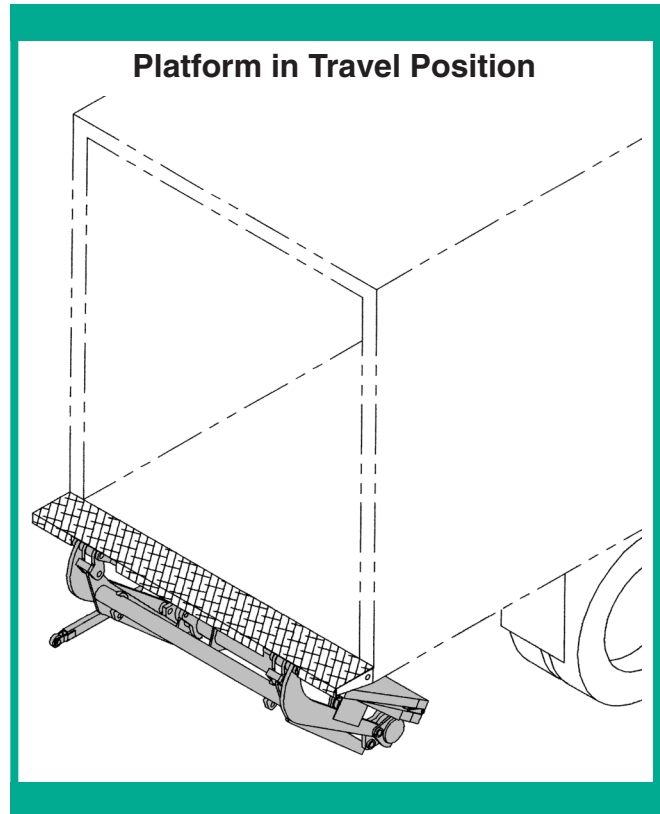
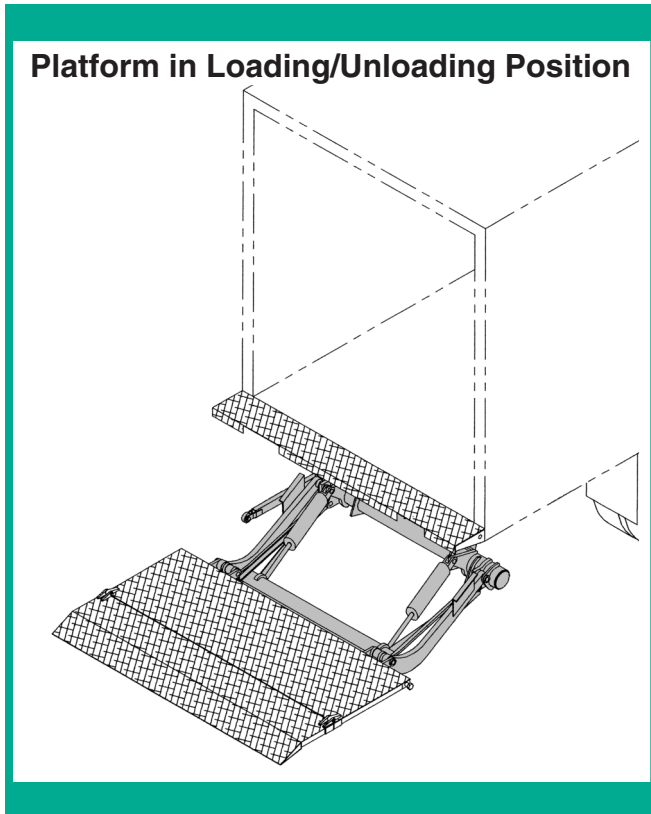


StowAway

Tailgates By **THIEMAN**

Raising Performance to New Levels

Model ST-40



FEATURING:

- Meets TMC Electrical Guidelines
- Up to 4000 lb. Lift Capacity
- Dual Cylinder Lift
- Maintenance-Free Bearings
- Heavy-Duty Lift Frame
- 84" x 40" and 84" x 52" Platforms

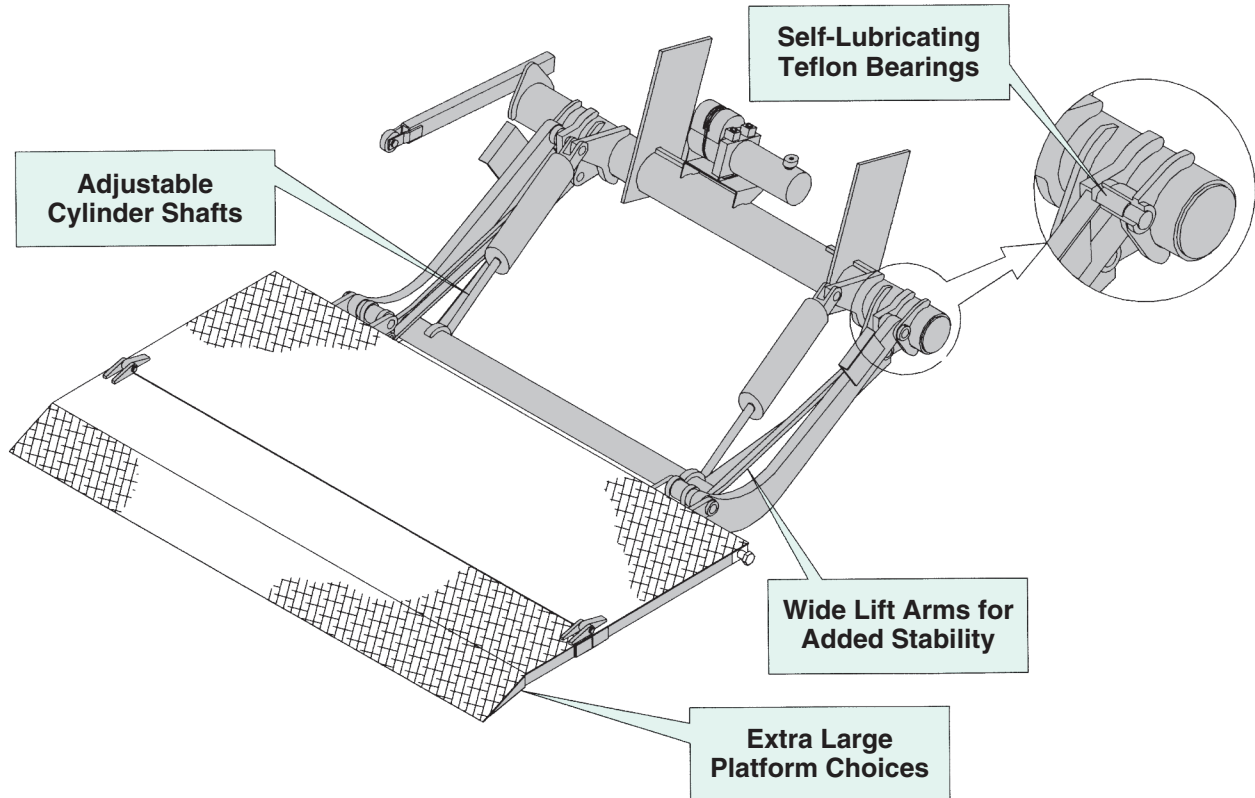
Designed for handling heavy, palletized loads, the THIEMAN ST-40 continues to be the industry choice among the heavy-duty, large platform Stowaways.

With maintenance being a major concern among fleets today, Thieman has incorporated self-lubricating Teflon bearings at all pivot points. This virtually eliminates the need for maintenance.

Along with a large platform and self-lubricating bearings, is the industry's strongest lift frame, which makes the THIEMAN ST-40 the most efficient, reliable, and durable Stowaway in its class.

Features, Benefits and Specifications

Model ST-40 EST



STANDARD FEATURES AND BENEFITS:

- | | | |
|---|---|--|
| <ul style="list-style-type: none"> • Teflon Composite Bearings Used with Stress-Proof Pins for Virtually Maintenance-Free Operation at Pivot Points. • No Lubrication Required at Pivot Points for Less Overall Maintenance. • Dual Lift Cylinders for Maximum Stability. • Adjustable Cylinder Shafts for Adjusting Platform Height. | <ul style="list-style-type: none"> • Adjustment Bolts for Adjusting Platform Angle. • Meets All TMC Electrical Guidelines for Reduced Service Requirements. • Power Up and Power Down for Better Cold Weather Operations. • Solenoid Cover for Increased Reliability. • Sealed Toggle Switch Control for Easy Weather Proof Operation. | <ul style="list-style-type: none"> • Dual Travel Latches to Secure Lift During Road Travel. • 150 Amp Circuit Breaker for Electrical Protection. • Snubber Kit for Reduced Movement While in Travel Position. |
|---|---|--|

AVAILABLE OPTIONS FOR ST-40:

- | | | |
|---|---|--|
| <ul style="list-style-type: none"> • Push Button Control • Remote Pendant Control • In-Cab Shut Off Switch | <ul style="list-style-type: none"> • Heavy Duty I-Beam Dock Bumpers • Rear Impact Guard (FMVSS 223) • Power Unit Enclosure | <ul style="list-style-type: none"> • Light Kits • Trailer Kits • PTO Power Source |
|---|---|--|

Model #	Platform	Ramp	Load Capacity	Lowering	Approx. Install Wt.	Bed Height Range
ST 40 EST	84" X 40"	10"	4000 Lbs.	Power	1050	48" to 56"
ST 40 EST	84" X 52"	*Full Taper	3300 Lbs.	Power	1045	48" to 56"

Application: Van Bodies, Trailers and Stake Bodies

EST-Electric w/Toggle Switch Control/Power Down *Aluminum Flip-Over Wedge

Distributed By:

THIEMAN
TAILGATES INC.

Raising Performance to New Levels

600 East Wayne Street
Celina, Ohio 45822
Phone: 419-586-7727 or
800-524-5210
Fax: 419-586-9724
www.thiemantailgates.com
info@thiemantailgates.com

THIEMAN Reserves the right to Change Products Specifications at any time Without Prior Notice.
Printed in U.S.A. Rev. 5/11 • 1M • MP73023