

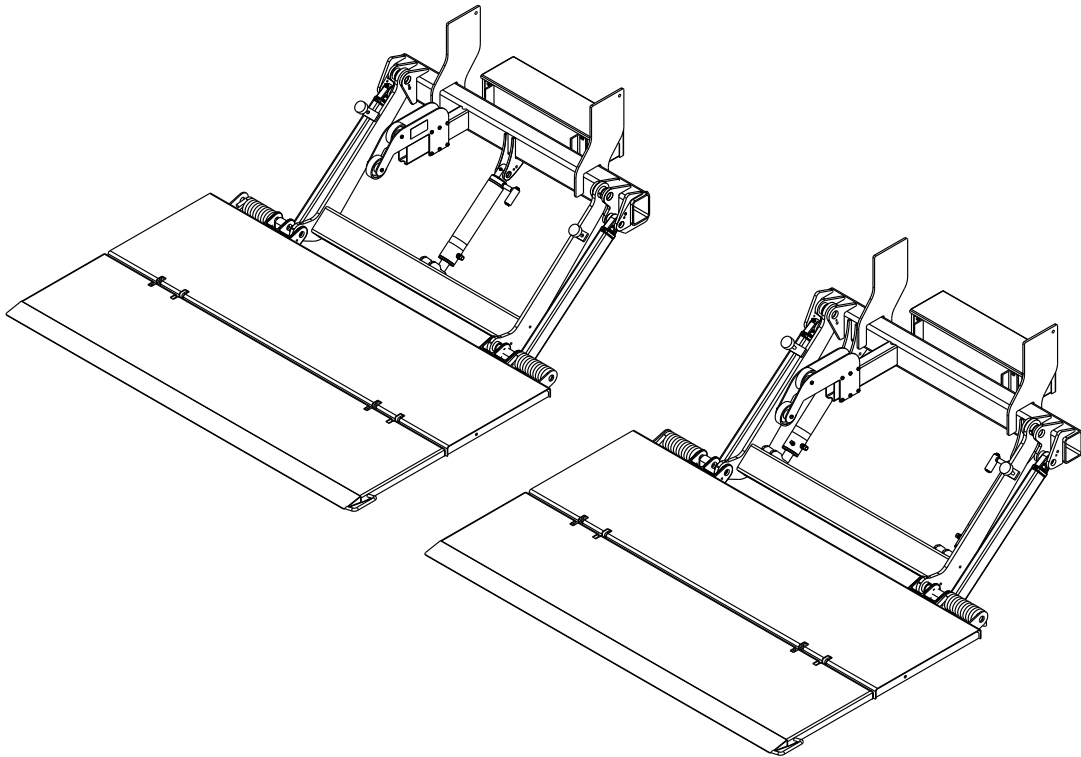


# LIFTGATES

---

## PARTS MANUAL

- PLR 20S, 2000 lbs. Capacity**
- PLR 25S, 2500 lbs. Capacity**
- PLR 25D, 2500 lbs. Capacity**
- PLR 33D, 3300 lbs. Capacity**



**PLR 20S/25S/25D/33D Parts Manual**  
**Document Part Number: 90-0316-004 / 16-695\_90-00\_00-04**

**ECN-M0863, Rev. 1.0, 08-31-16**

**Copyright © 2016 Palfinger Liftgates LLC.**

**All rights reserved.**

**Information in this document is subject to change without notice.**  
**Visit [www.palfinger.com](http://www.palfinger.com) for up to date information and notifications.**

**Parts Order**

**[liftgateparts@palfinger.com](mailto:liftgateparts@palfinger.com)**

**Technical Support**

**[technicalapplications@palfinger.com](mailto:technicalapplications@palfinger.com)**

**Palfinger Liftgates, LLC.**

**15939 Piuma Ave.**

**Cerritos, CA 90703**

**Tel (888) 774-5844**

**Fax (562) 924-8318**

**Palfinger Liftgates, LLC.**

**572 Whitehead Road.**

**Trenton, NJ 08619**

**Tel (609) 587-4200**

**Fax (609) 587-4201**

***Built to Deliver - Every Time***

**Table of Contents**

1 Mount Frame – Single Cylinder ..... 4

2 Mount Frame – Dual Cylinder ..... 6

3 Aluminium Platforms..... 8

4 Steel Platforms ..... 9

5 Steel/Aluminum Platforms ..... 10

6 Hydraulic Pump Unit Kits..... 12

7 Hydraulic Power Unit..... 13

8 Hydraulic Power Unit - Gravity Down Kits ..... 14

9 Hydraulic Power Unit - Power Down Kits..... 15

10 Bed Extensions..... 16

11 Bumpers..... 17

12 Dock Bumpers ..... 18

13 Dock Bumpers Walk Ramp Extensions ..... 20

14 Dock Bumpers Rubber Pads ..... 21

15 Dock Bumper Light Kits ..... 22

16 Dock Bumper Steps..... 24

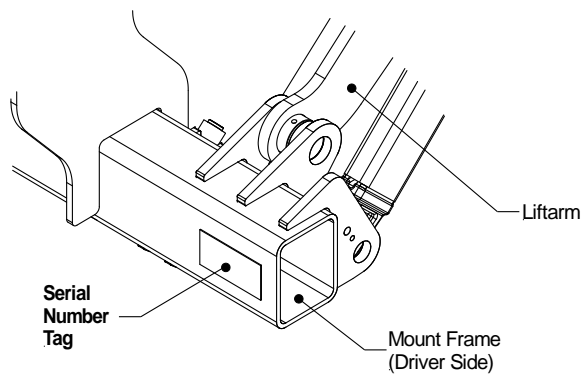
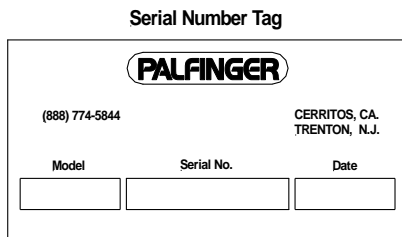
17 Controls..... 25

18 Decals..... 26

**Important Liftgate Information**

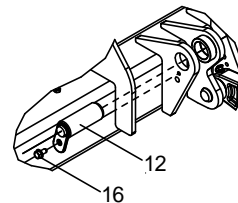
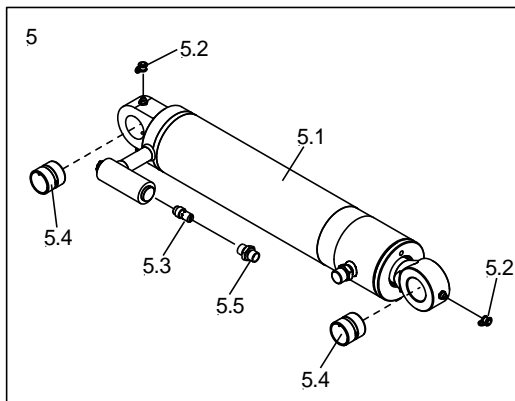
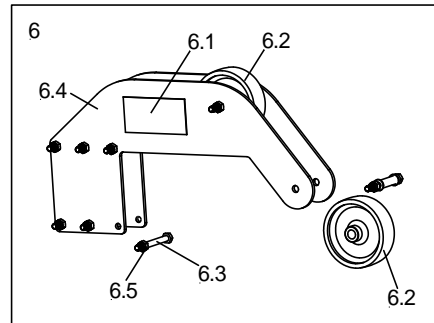
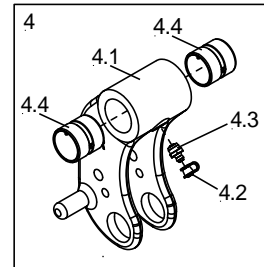
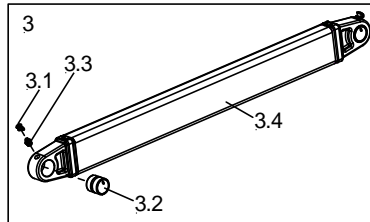
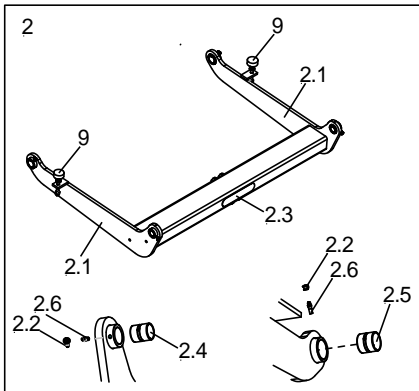
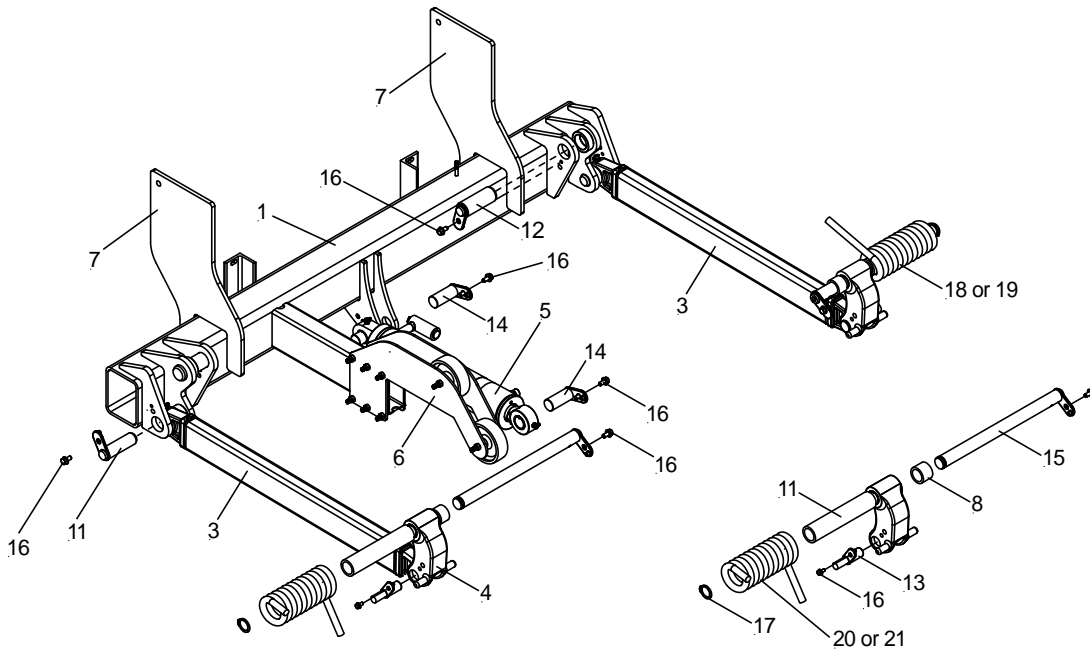
Liftgate serial information can be found on the mount tube at the driver side.

Please have the liftgate information ready when ordering parts to assure parts are replaced accurately.



**Built to Deliver - Every Time**

**1 Mount Frame – Single Cylinder**



Palfinger Liftgates, LLC.  
15939 Piuma Ave, Cerritos, CA 90703  
Tel: (888) 774-5844, Fax: (562) 924-8318

Palfinger Liftgates, LLC.  
572 Whitehead Road, Trenton, NJ 08619  
Tel: (609) 587-4200, Fax: (609) 587-4201

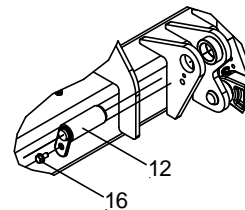
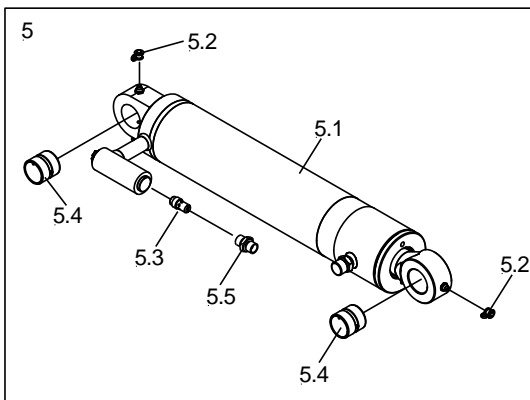
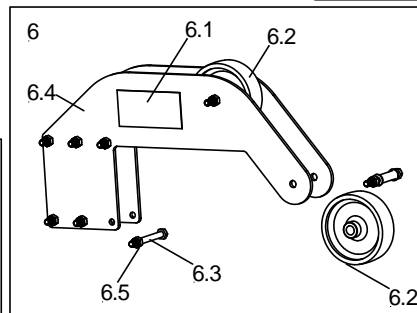
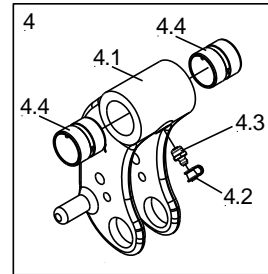
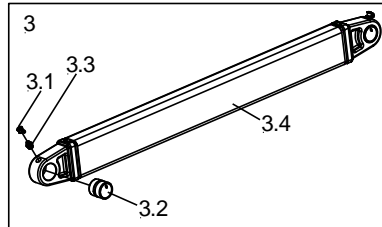
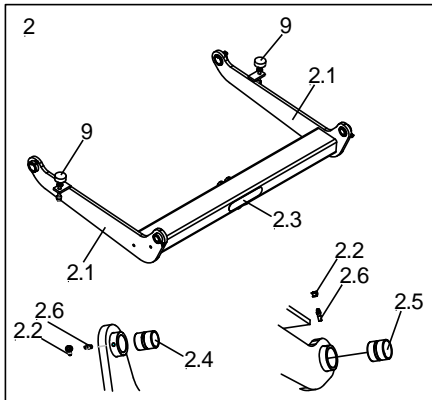
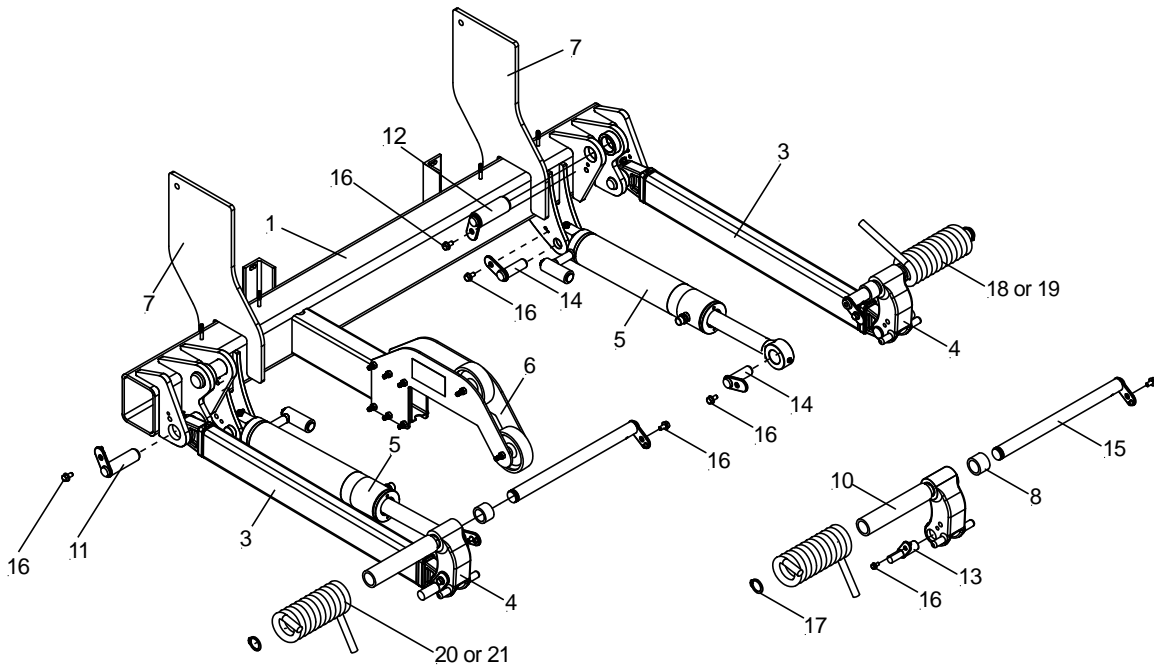
**Built to Deliver - Every Time**

1 - MOUNT FRAME – SINGLE CYLINDER			
NO.	DESCRIPTION –	PART NO.	QTY.
1	MOUNT FRAME ASSEMBLY	01-0314-660	1
<b>2</b>	<b>ASSY', LIFT ARM 800 SINGLE CYLINDER</b>	<b>10-0315-300</b>	<b>1</b>
2.1	LIFT ARM 800MM ASSY	10-0314-450	1
2.2	CAP, ZERK FITTING	1191680	4
2.3	NAME PLATE	85-0315-100	1
2.4	32MM BUSHING	ELG1036	2
2.5	40MM BUSHING	ELG1037	2
2.6	ZERK FITTING; 1/4"-28	EA6087	4
2.7	LIFT ARM 900MM ASSY (NOT SHOWN)	10-0315-400	1
<b>3</b>	<b>KIT, PARALLEL ARM 800MM</b>	<b>15-0315-001</b>	<b>1</b>
3.1	CAP, ZERK FITTING	1191680	2
3.2	BUSHING,28MMIDX32MMODX31MM,BRONZE	ELG1039	2
3.3	ZERK FITTING M10X1	EA-005	2
3.4	PARALLEL ARM- 800MM	15-0314-200	1
3.5	KIT, PARALLEL ARM 900MM (NOT SHOWN)	15-1014-002	1
<b>4</b>	<b>KIT, ILR 125MM SHACKLE</b>	<b>25-0315-100</b>	<b>1</b>
4.1	PLR 125MM SHACKLE	25-1013-200	1
4.2	CAP, ZERK FITTING	1191680	1
4.3	ZERK FITTING M10X1	EA-005	1
4.4	BUSHING,28MMIDX32MMODX31MM,BRONZE	ELG1039	2
<b>5</b>	<b>KIT, 70MM CYLINDER &amp; BUSHINGS, SINGLE, GRAVITY/POWER DOWN</b>	<b>40-0314-200</b>	<b>1</b>
5.1	CYLINDER; 70MM DOUBLE ACTING	40-0314-100	1
5.2	CAP, ZERK FITTING	1191680	3
5.3	VALVE FLOW CONTROL - 4L/MIN	1363828	1
5.4	BUSHING, 28MM ID X 32MM OD X 31MM, BRONZE - 4L/MIN	ELG1039	2
5.5	ADAPTER 1/4 " BSP X 10L - 3 L/MIN	EA6236	1
<b>6</b>	<b>KIT, PARTING WHEEL</b>	<b>60-1009-000</b>	<b>1</b>
6.1	TORQUE SPEC DECAL	85-8814-001	2
6.2	WHEEL KIT	2003774	2
6.3	HEX HEAD CAP SCREW, M8X1.25X80MM	ES 887	6
6.4	PLATE, PARTING WHEEL	60-1009-501	2
6.5	NUT, M8X1.25 NYLOCK	EM 705	6
7	MOUNT PLATE	06-0314-300	2
8	SPACER- LIFT ARM	25-0113-875	2
9	KIT, RUBBER PADS, ADJUSTABLE	1128624	2
10	SPACER, SPRING	1228526	2
11	PIN, 28MMX99MM	1326307	2
12	PIN – 36MMX102MM	1407100	2
13	PIN – 28MMX105MM	2003649	2
14	PIN – 28MMX74MM	2003651	2
15	PIN – 28MMX385MM	2038695	2
16	BOLT,FLANGED M8X1.25X16	ES1451	9
17	EXTERNAL RETAINING RING	EQ1661	2
18	TORSION SPRING CURB SIDE, STANDARD	1264848	1
19	TORSION SPRING CURB SIDE, HEAVY DUTY	20-0113-001	1
20*	TORSION SPRING DRIVER SIDE STANDARD	1264857	1
21*	TORSION SPRING DRIVER SIDE HEAVY DUTY	20-0113-002	1

\*Mount frame configurations with aluminum platform sizes 42" and 48" do not get a driver side spring. All other configurations get a Standard or Heavy Duty spring on curb side and driver side.

**Built to Deliver - Every Time**

**2 Mount Frame – Dual Cylinder**



Palfinger Liftgates, LLC.  
15939 Piuma Ave, Cerritos, CA 90703  
Tel: (888) 774-5844, Fax: (562) 924-8318

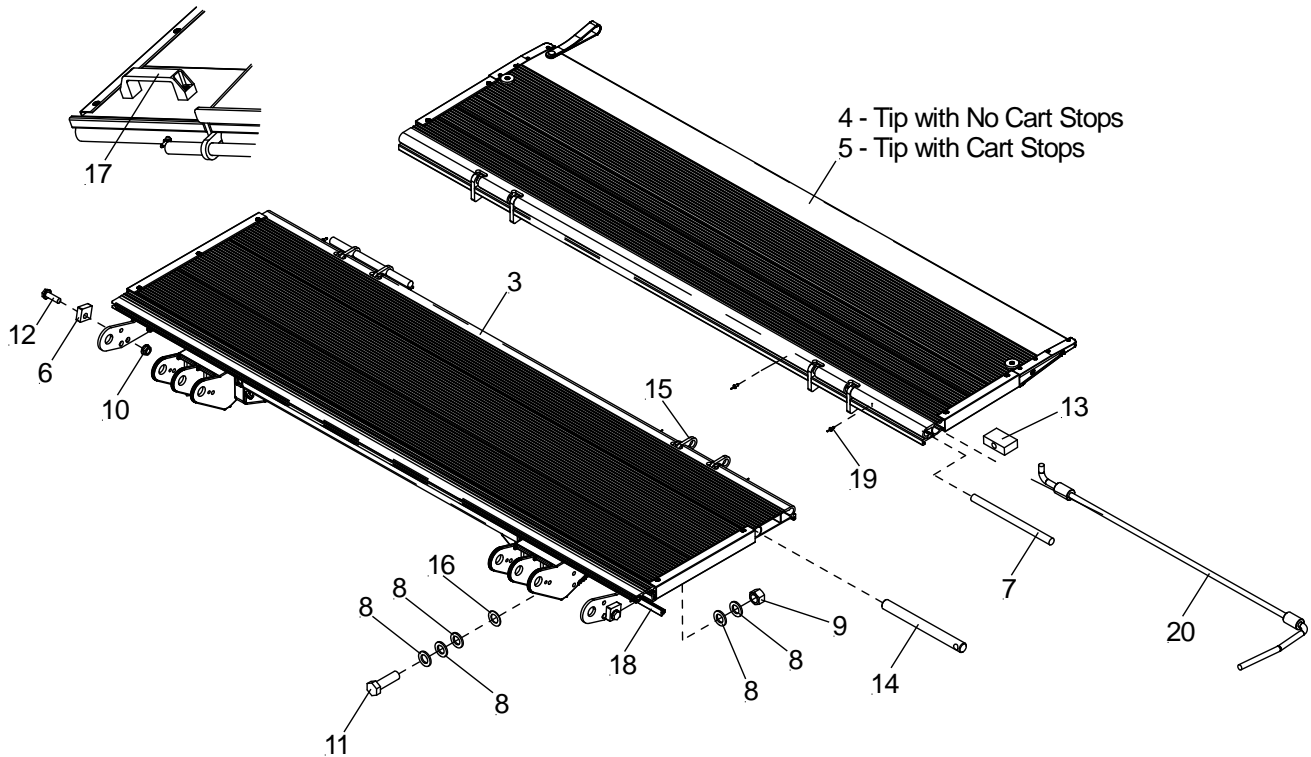
Palfinger Liftgates, LLC.  
572 Whitehead Road, Trenton, NJ 08619  
Tel: (609) 587-4200, Fax: (609) 587-4201

**Built to Deliver - Every Time**

<b>2 - MOUNT PLATE – DUAL CYLINDER</b>			
<b>NO.</b>	<b>DESCRIPTION</b>	<b>PART NO.</b>	<b>QTY.</b>
1	MOUNT FRAME ASSEMBLY	01-0314-760	1
<b>2</b>	<b>ASSY', LIFT ARM 800 SINGLE CYLINDER</b>	10-0315-100	<b>1</b>
2.1	LIFT ARM 800MM ASSY	10-0314-450	1
2.2	CAP, ZERK FITTING	1191680	4
2.3	NAME PLATE	85-0315-100	1
2.4	32MM BUSHING	ELG1036	2
2.5	40MM BUSHING	ELG1037	2
2.6	ZERK FITTING; 1/4"-28	EA6087	4
2.7	LIFT ARM 900MM ASSY (NOT SHOWN)	10-0315-200	1
<b>3</b>	<b>KIT, PARALLEL ARM 800MM</b>	<b>15-0315-001</b>	<b>1</b>
3.1	CAP, ZERK FITTING	1191680	2
3.2	BUSHING,28MMIDX32MMODX31MM,BRONZE	ELG1039	2
3.3	ZERK FITTING M10X1	EA-005	2
3.4	PARALLEL ARM- 800MM	15-0314-200	1
3.5	KIT, PARALLEL ARM 900MM (NOT SHOWN)	15-1014-002	1
<b>4</b>	<b>KIT, ILR 125MM SHACKLE</b>	<b>25-0315-100</b>	<b>1</b>
4.1	PLR 125MM SHACKLE	25-1013-200	1
4.2	CAP, ZERK FITTING	1191680	1
4.3	ZERK FITTING M10X1	EA-005	1
4.4	BUSHING,28MMIDX32MMODX31MM,BRONZE	ELG1039	2
<b>5</b>	<b>KIT, 63MM CYLINDER &amp; BUSHINGS, DUAL, GRAVITY/POWER DOWN</b>	<b>40-1015-200</b>	<b>1</b>
5.1	CYLINDER; 63MM DOUBLE ACTING	40-1015-100	2
5.2	CAP, ZERK FITTING	1191680	6
5.3	VALVE FLOW CONTROL - 4L/MIN	1363828	2
5.4	BUSHING, 28MM ID X 32MM OD X 31MM, BRONZE - 4L/MIN	ELG1039	4
5.5	ADAPTER 1/4 " BSP X 10L - 3 L/MIN	EA6236	1
<b>6</b>	<b>KIT, PARTING WHEEL</b>	<b>60-1009-000</b>	<b>1</b>
6.1	TORQUE DECAL	85-8814-001	2
6.2	WHEEL KIT	2003774	2
6.3	HEX HEAD CAP SCREW, M8X1.25X80MM	ES 887	6
6.4	PLATE, PARTING WHEEL	60-1009-501	2
6.5	NUT, M8X1.25 NYLOCK	EM 705	6
7	MOUNT PLATE	06-0314-300	2
8	SPACER- LIFT ARM	25-0113-875	2
9	KIT, RUBBER PADS, ADJUSTABLE	1128624	2
10	SPACER, SPRING	1228526	2
11	PIN - 28MMX99MM	1326307	2
12	PIN – 36MMX102MM	1407100	2
13	PIN – 28MMX105MM	2003649	2
14	PIN – 28MMX74MM	2003651	4
15	PIN – 28MMX385MM	2038695	2
16	BOLT,FLANGED M8X1.25X16	ES1451	12
17	EXTERNAL RETAINING RING	EQ1661	2
18	TORSION SPRING CURB SIDE, STANDARD	1264848	1
19	TORSION SPRING CURB SIDE, HEAVY DUTY	20-0113-001	1
20	TORSION SPRING DRIVER SIDE STANDARD	1264857	1
21	TORSION SPRING DRIVER SIDE HEAVY DUTY	20-0113-002	1

**Built to Deliver - Every Time**

**3 Aluminium Platforms**



3 - ALUMINUM/ALUMINUM PLATFORM						
NO.	DESCRIPTION	PART NO.				QTY.
		42"	48"	54"	60"	
1	ALUM. MAIN/ALUM. TIP PLATFORM	20-0315-300*	20-0315-100*	20-0315-400	20-0315-200	1
2	ALUM. MAIN/ALUM TIP PLATFORM, W/CART STOPS	20-0315-310	20-0315-110	20-0315-410	20-0315-210	1
3	MAIN SECTION, ALUMINUM	21-0314-456	21-0314-243	21-0314-451	21-0314-360	1
4	TIP SECTION, ALUMINUM	22-0314-461*	22-0314-000*	22-0314-464	22-0314-467	1
5	TIP SECTION, W/CART STOPS, ALUM.	22-0314-800	22-0314-500	22-0314-700	22-0314-600	1
6	ADJUSTMENT, TORSION SPRING	60-1007-301	60-1007-301	60-1007-301	60-1007-301	2
7	PIN 20X300	67264894	67264894	67264894	67264894	4
8	WASHER, M24, FLAT	EK3215	EK3215	EK3215	EK3215	10
9	NYLOCK, M24X3.0	EM 706	EM 706	EM 706	EM 706	2
10	NUT,SAFETY,FLANGED M14X1.5,CL.10.9 GALV	EM-711	EM-711	EM-711	EM-711	2
11	HHCS, M24X3.0X80MM	ES 693	ES 693	ES 693	ES 693	2
12	HHCS,FLANGED M14X1.5X45 CL.10.9 GALV. 2	ES1588	ES1588	ES1588	ES1588	2
13	BLOCK	9083177000	9083177000	9083177000	9083177000	1
14	PIN 28MM X 300MM	9000000064	9000000064	9000000064	9000000064	1
15	PLATE, PLATFORM HINGE	20-1007-101	20-1007-101	20-1007-101	20-1007-101	4
16	WASHER, FLAT,1"	EK3575	EK3575	EK3575	EK3575	2
17	PLASTIC HANDLE KIT	99-0315-400	99-0315-400	99-0315-400	99-0315-400	1
18	PLATFORM HEAD BUMPER	20-0314-150	20-0314-150	20-0314-150	20-0314-150	1
19	3/16"X0.45" RIVET	EK3207	EK3207	EK3207	EK3207	8
20	TORSION BAR	9083175070	9083175070	9083175070	9083175070	1
21	KIT; TORSION BAR, ALUM ALUM PLATFORM	99-0315-211*	99-0315-110*	99-0315-110	99-0315-110	1

**\*42" and 48" Platforms with no cart stops do not get a torsion bar.**

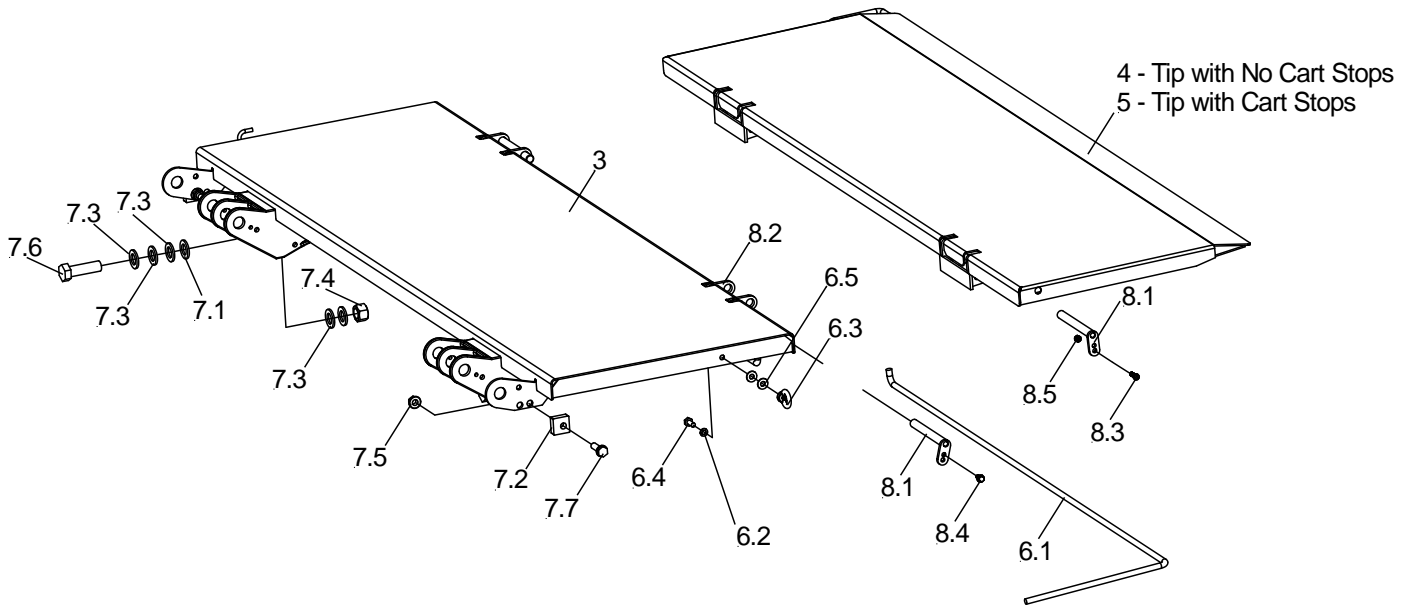
Palfinger Liftgates, LLC.  
 15939 Piuma Ave, Cerritos, CA 90703  
 Tel: (888) 774-5844, Fax: (562) 924-8318

Palfinger Liftgates, LLC.  
 572 Whitehead Road, Trenton, NJ 08619  
 Tel: (609) 587-4200, Fax: (609) 587-4201



**Built to Deliver - Every Time**

**4 Steel Platforms**



4 - STEEL/STEEL PLATFORM						
NO.	DESCRIPTION	PART NO.				QTY.
		42"	48"	54"	60"	
1	STEELMAIN /STEEL TIP PLATFORM	20-0315-340*	20-0315-140	20-0315-440	20-0315-240	1
2	STEEL MAIN/STEEL TIP PLATFORM, W/CART	20-0315-350	20-0315-150	20-0315-450	20-0315-250	1
3	MAIN SECTION, STEEL	21-0314-400	21-0314-000	21-0314-270	21-0314-300	1
4	TIP SECTION, STEEL	22-0316-500	22-0316-300	22-0316-600	22-0316-400	1
5	TIP SECTION, W/CART STOPS, STEEL	22-0316-501*	22-0316-301	22-0316-601	22-0316-401	1
6	KIT; TORSION BAR, STL STL PLATFORM	99-0315-310*	99-0315-310	99-0315-310	99-0315-315	1
6.1	TORSION BAR	1409441	1409441	1409441	2-76001	1
6.2	M10 SPLIT LOCK WASHER	EK2740	EK2740	EK2740	EK2740	1
6.3	M10 RING NUT	EM 712	EM 712	EM 712	EM 712	1
6.4	M10X1.5X25MM HEX HEAD CAP SCREW	ES3462	ES3462	ES3462	ES3462	1
6.5	WASHER,FLAT,3/8" USS,ZINC	EK3216	EK3216	EK3216	EK3216	2
7	KIT; HARDWARE STL-STL PLATFORM	99-0315-330	99-0315-330	99-0315-330	99-0315-330	1
7.1	WASHER, FLAT,1"	EK3575	EK3575	EK3575	EK3575	2
7.2	ADJUSTMENT TORSION SPRING	60-1007-301	60-1007-301	60-1007-301	60-1007-301	2
7.3	WASHER, M24, ZINC	EK3215	EK3215	EK3215	EK3215	10
7.4	NYLOCK, M24X3.0	EM 706	EM 706	EM 706	EM 706	2
7.5	NUT,SAFETY,FLANGED M14X1.5,CL.10.9 GALV	EM-711	EM-711	EM-711	EM-711	2
7.6	HEX HEAD CAP SCREW, M24X3.0X80MM	ES 693	ES 693	ES 693	ES 693	2
7.7	HEX HEAD CAP SCREW,FLANGED M14X1.5X45	ES1588	ES1588	ES1588	ES1588	2
8	KIT, PIN, STL-STL PLATFORM	99-0315-320	99-0315-320	99-0315-320	99-0315-320	1
8.1	PIN, 3/4"X7.25"	21-0314-093	21-0314-093	21-0314-093	21-0314-093	4
8.2	PLATE, PLATFORM HINGE	20-1007-101	20-1007-101	20-1007-101	20-1007-101	4
8.3	HEX HEAD CAP SCREW;5/16-18X1"	ES3724	ES3724	ES3724	ES3724	2
8.4	5/16"-18x0.75"THREAD-ROLLING BOLT	ES3746	ES3746	ES3746	ES3746	2
8.5	5/16"-18 NYLOCK	EM 710	EM 710	EM 710	EM 710	2

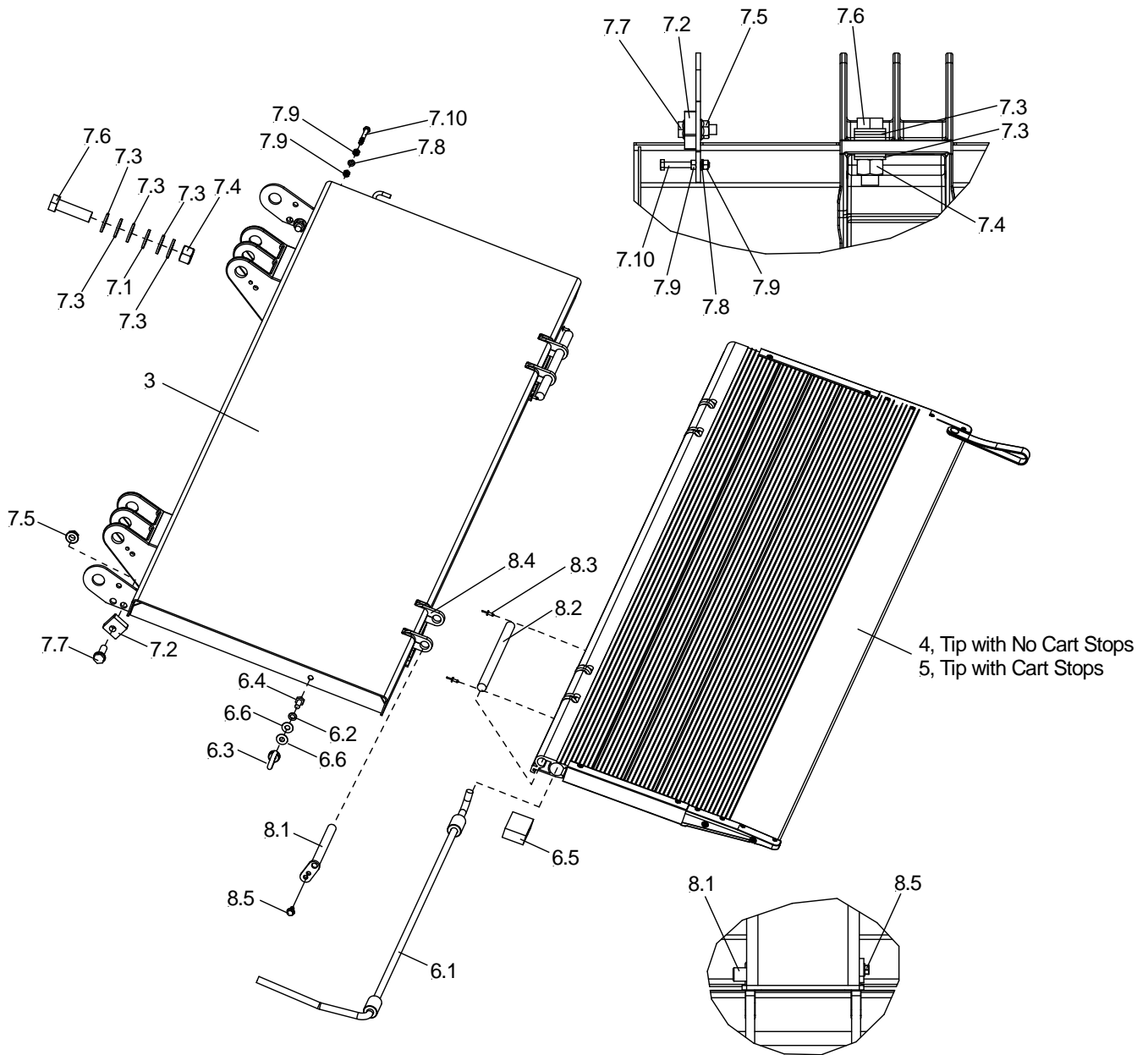
**\*42" Platforms with no cart stops do not get a torsion bar.**

Palfinger Liftgates, LLC.  
 15939 Piuma Ave, Cerritos, CA 90703  
 Tel: (888) 774-5844, Fax: (562) 924-8318

Palfinger Liftgates, LLC.  
 572 Whitehead Road,Trenton, NJ 08619  
 Tel: (609) 587-4200, Fax: (609) 587-4201

**Built to Deliver - Every Time**

**5 Steel/Aluminum Platforms**



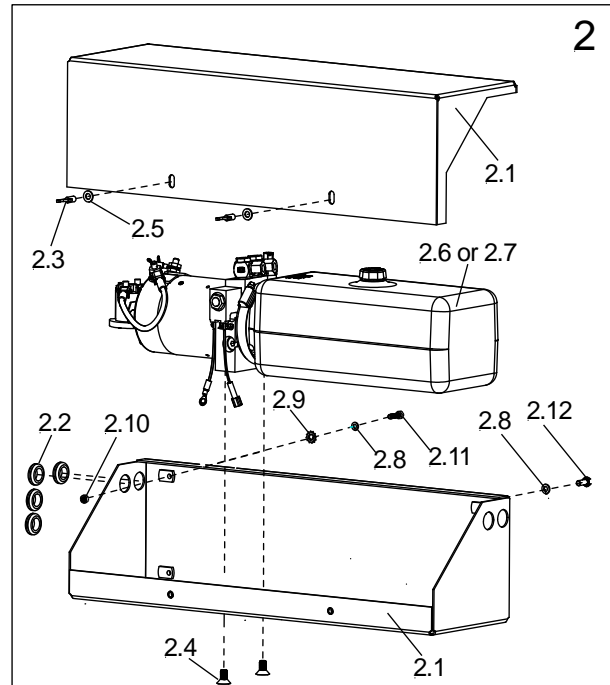
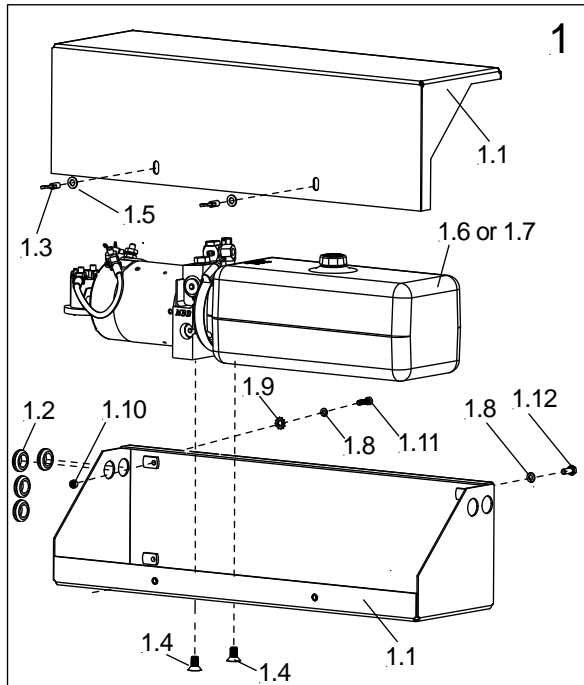
**Built to Deliver - Every Time**

5 - STEEL/ALUMINUM PLATFORM						
NO.	DESCRIPTION	PART NO.				QT Y
		42"	48"	54"	60"	
1	STEEL MAIN/ALUM. TIP PLATFORM (NO CART STOPS)	20-0315-320*	20-0315-120*	20-0315-420	20-0315-220	1
2	STEEL MAIN/ALUM. TIP PLATFORM, W/CART STOP	20-0315-330	20-0315-130	20-0315-430	20-0315-230	1
3	MAIN SECTION, STEEL	21-0314-400	21-0314-000	21-0314-270	21-0314-300	1
4	TIP SECTION, ALUM. (NO CART STOP)	22-0314-461*	22-0314-000*	22-0314-464	22-0314-467	1
5	TIP SECTION, ALUM. W/CART STOPS	22-0314-800	22-0314-500	22-0314-700	22-0314-600	1
6	KIT, TORSION BAR, STEEL/ALUM. PLATFORM	99-0315-211*	99-0315-210*	99-0315-210	99-0315-210	1
6.1	TORSION BAR	9083175070	9083175070	9083175070	9083175070	1
6.2	M10 SPLIT LOCK WASHER	EK2740	EK2740	EK2740	EK2740	1
6.3	M10 RING NUT	EM 712	EM 712	EM 712	EM 712	1
6.4	HEX HEAD CAP SCREW M10X1.5X25MM	ES3462	ES3462	ES3462	ES3462	1
6.5	BLOCK	9083177000	9083177000	9083177000	9083177000	1
6.6	WASHER,FLAT,3/8" USS,ZINC	EK3216	EK3216	EK3216	EK3216	21
7	KIT, HARDWARE STEEL/ALUM PLATFORM	99-0315-230	99-0315-230	99-0315-230	99-0315-230	1
7.1	WASHER, FLAT,1"	EK3575	EK3575	EK3575	EK3575	2
7.2	ADJUSTMENT, TORSION SPRING	60-1007-301	60-1007-301	60-1007-301	60-1007-301	2
7.3	WASHER, M24, ZINC	EK3215	EK3215	EK3215	EK3215	10
7.4	NYLOCK, M24X3.0	EM 706	EM 706	EM 706	EM 706	2
7.5	NUT,SAFETY,FLANGED M14X1.5,CL.10.9 GALV	EM-711	EM-711	EM-711	EM-711	2
7.6	HEX HEAD CAP SCREW, M24X3.0X80MM	ES 693	ES 693	ES 693	ES 693	2
7.7	HEX HEAD CAP SCREW,FLANGED M14X1.5X45 CL.10.9	ES1588	ES1588	ES1588	ES1588	2
7.8	WASHER; SPLIT LOCK	EK3471	EK3471	EK3471	EK3471	1
7.9	NUT; 5/16"-18 GR 5 ZINC	EM 791	EM 791	EM 791	EM 791	2
7.10	HEX HEAD CAP SCREW 5/16"-18X2-1/2"	ES3741	ES3741	ES3741	ES3741	1
8	KIT, PIN, STEEL/ALUM PLATFORM	99-0315-220	99-0315-220	99-0315-220	99-0315-220	1
8.1	PIN, 3/4"X7.25"	21-0314-093	21-0314-093	21-0314-093	21-0314-093	2
8.2	PIN 20MM X 300MM	67264894	67264894	67264894	67264894	2
8.3	3/16"X0.45" RIVET	EK3207	EK3207	EK3207	EK3207	4
8.4	PLATE, PLATFORM HINGE	20-1007-101	20-1007-101	20-1007-101	20-1007-101	4
8.5	5/16"-18x0.75"THREAD-ROLLING BOLT	ES3746	ES3746	ES3746	ES3746	2

**\*42" and 48" Platforms with no cart stops do not get a torsion bar.**

**Built to Deliver - Every Time**

**6 Hydraulic Pump Unit Kits**



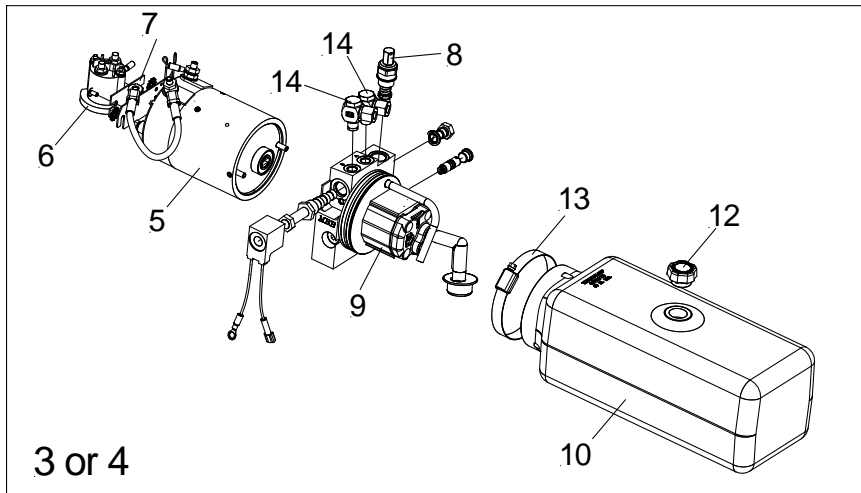
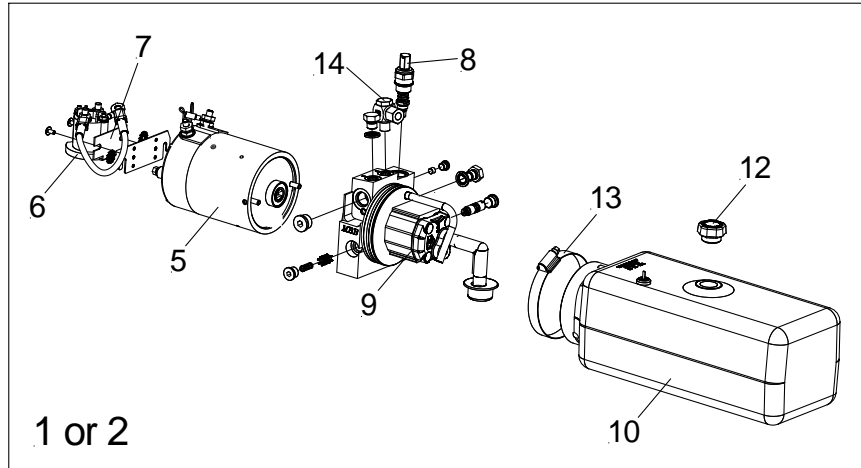
6 - HYDRAULIC PUMP UNIT KITS			
NO.	DESCRIPTION	PART NO.	QTY.
<b>1</b>	<b>KIT HYDRAULIC POWER UNIT, ENCLOSURE, GRAVITY DOWN</b>	<b>99-0315-800</b>	<b>1</b>
1.1	ILP PUMP BOX, BASE, COVER	50-0113-000	1
1.2	RUBBER GROMMET	99-8713-014	3
1.3	THUMB SCREW	2034123	2
1.4	3/8-16 X 3/4" FLAT HEAD SOCKET CAP SCREW	99-8813-017	2
1.5	WASHER, FLAT, M8	EK2929	2
1.6	PUMP, GRAVITY DOWN, 2850 PSI, SINGLE CYLINDER	50-0313-950	1
1.7	PUMP, GRAVITY DOWN, 2200 PSI, TWIN CYLINDER	50-0316-100	1
1.8	WASHER; SPLIT LOCK	EK3471	4
1.9	INT/EXT-TOOTH LOCK WASHER 5/16"	EK3573	1
1.10	NUT, M8X1.25 CL. 8	EM 003	2
1.11	HEX HEAD CAP SCREW, M8X1.25X30MM	ES 013	1
1.12	HEX HEAD CAP SCREW; M8-125X20MM	ES3827	2
<b>2</b>	<b>KIT HYDRAULIC POWER UNIT, ENCLOSURE, POWER DOWN</b>	<b>99-0315-900</b>	<b>1</b>
2.1	PUMP BOX, BASE, COVER	50-0113-000	1
2.2	RUBBER GROMMET	99-8713-014	4
2.3	THUMB SCREW	2034123	2
2.4	3/8-16 X 3/4" FLAT HEAD SOCKET CAP SCREW	99-8813-017	2
2.5	WASHER, FLAT, M8	EK2929	2
2.6	PUMP, POWER DOWN, 2850 PSI, SINGLE CYLINDER	50-0313-951	1
2.7	PUMP, POWER DOWN, 2200 PSI, TWIN CYLINDER	50-0316-101	1
2.8	WASHER; SPLIT LOCK	EK3471	4
2.9	INT/EXT-TOOTH LOCK WASHER 5/16"	EK3573	1
2.10	NUT, M8X1.25 CL. 8	EM 003	2
2.11	HEX HEAD CAP SCREW, M8X1.25X30MM	ES 013	1
2.12	HEX HEAD CAP SCREW; M8-125X20MM	ES3827	2

Palfinger Liftgates, LLC.  
 15939 Piuma Ave, Cerritos, CA 90703  
 Tel: (888) 774-5844, Fax: (562) 924-8318

Palfinger Liftgates, LLC.  
 572 Whitehead Road, Trenton, NJ 08619  
 Tel: (609) 587-4200, Fax: (609) 587-4201

**Built to Deliver - Every Time**

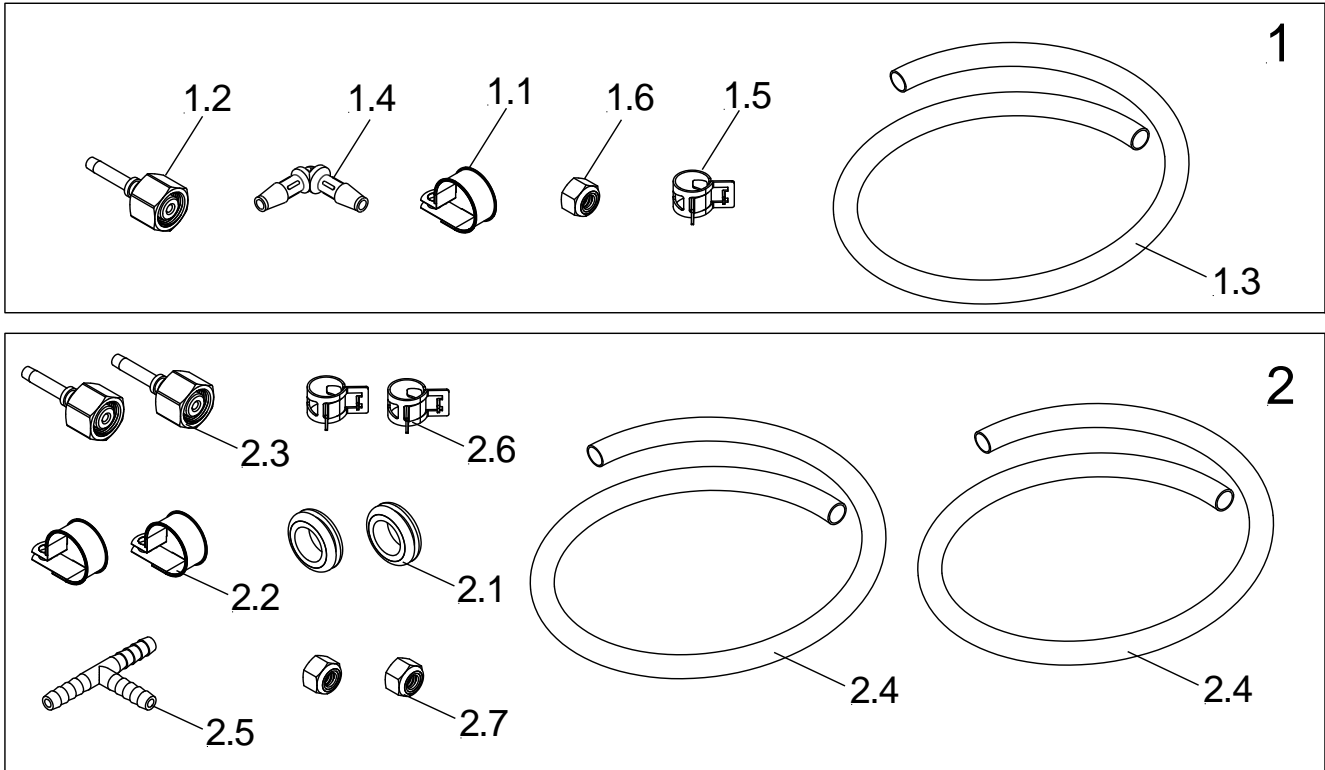
**7 Hydraulic Power Unit**



7 - HYDRAULIC POWER UNIT			
NO.	DESCRIPTION	PART NO.	QTY.
1	HYDRAULIC POWER UNIT, GRAVITY DOWN, 2850 PSI, SINGLE CYLINDER	50-0313-950	1
2	HYDRAULIC POWER UNIT, GRAVITY DOWN, 2200 PSI, TWIN CYLINDER	50-0316-100	1
3	HYDRAULIC POWER UNIT, POWER DOWN, 2850 PSI, SINGLE CYLINDER	50-0313-951	1
4	HYDRAULIC POWER UNIT, POWER DOWN, 2200 PSI, TWIN CYLINDER	50-0316-101	1
5	MOTOR 12 VOLT	80-1411-101	1
6	MOTOR SOLENOID	80-1411-102	1
7	BRACKETS FOR SOLENOID	50-0313-956	1
8	CHECK VALVE PILOT	50-0313-952	1
9	PUMP	80-1411-917	1
10	OIL RESERVOIR (PLASTIC)	50-0313-958	1
11	RELIEF VALVE	50-0313-953	1
12	BREATHER CAP	50-0709-914	1
13	CLAMP FOR OIL RESERVOIR	50-0313-954	1
14	FITTING - 90° ELBOW (qty 2 for power down units)	50-0313-955	1

**Built to Deliver - Every Time**

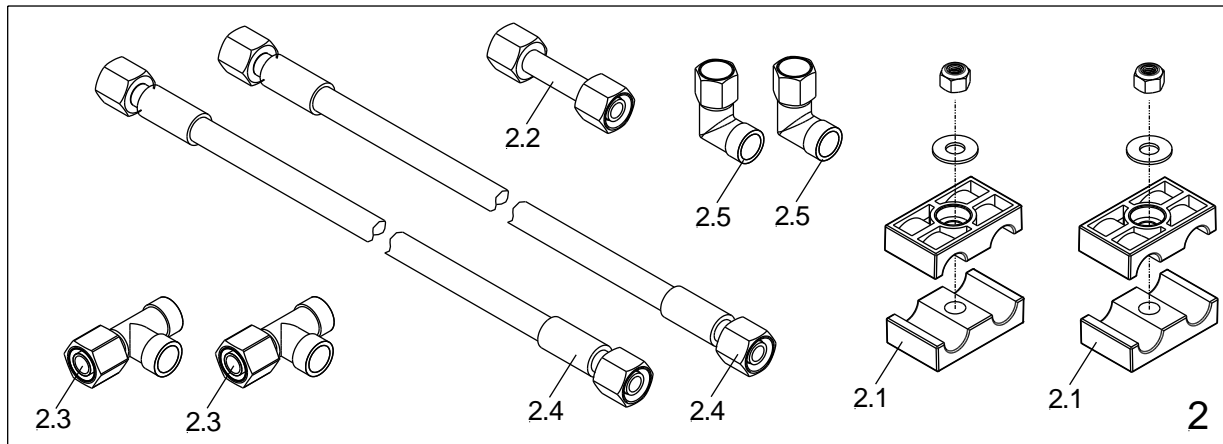
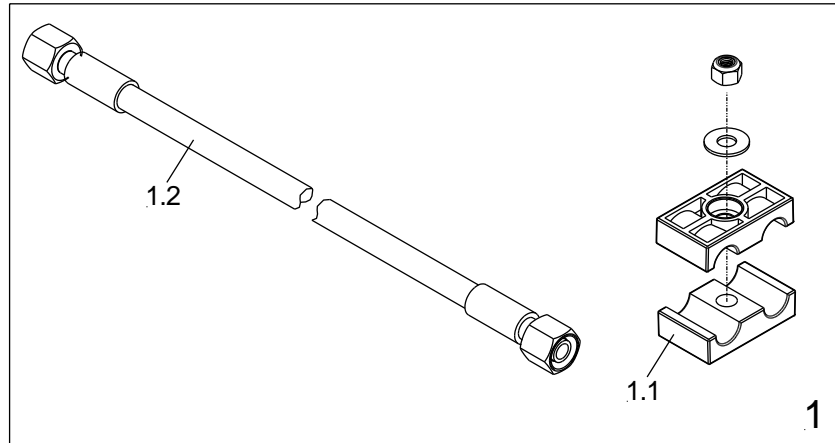
**8 Hydraulic Power Unit - Gravity Down Kits**



8 - HYDRAULIC POWER UNIT - GRAVITY DOWN KITS			
NO.	DESCRIPTION	PART NO.	QTY.
<b>1</b>	<b>KIT GRAVITY DOWN SINGLE CYLINDER</b>	<b>99-0315-600</b>	<b>1</b>
1.1	CLAMP 1"	EQ1666	1
1.2	STRAIGHT FITTING	EA6099	1
1.3	TUBING;BLACK PVC	EH13097	1
1.4	ELBOW FOR 1/4" TUBE ID	EK3485	1
1.5	HOSE CLAMP	EK3487	1
1.6	NUT,NYLOCK,1/4"-20 GR.5,ZINC	EM-713	1
<b>2</b>	<b>KIT GRAVITY DOWN TWIN CYLINDER</b>	<b>99-0315-700</b>	<b>1</b>
2.1	RUBBER GROMMET	99-8713-014	2
2.2	CLAMP 1"	EQ1666	2
2.3	STRAIGHT FITTING	EA6099	2
2.4	TUBING;BLACK PVC	EH13097	2
2.5	TEE FOR 1/4" TUBE ID	EK3486	1
2.6	HOSE CLAMP	EK3487	2
2.7	NUT,NYLOCK,1/4"-20 GR.5,ZINC	EM-713	2

**Built to Deliver - Every Time**

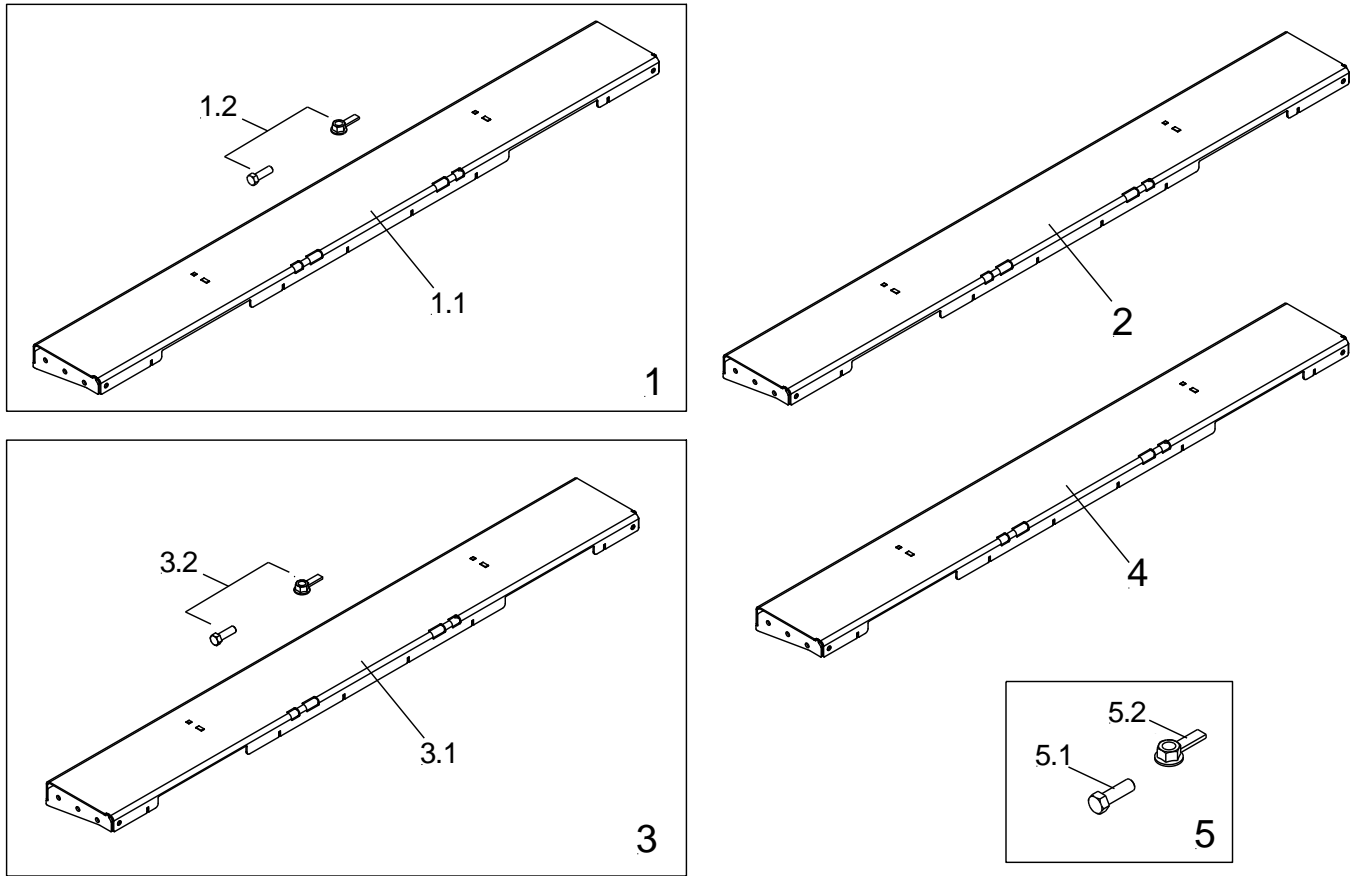
**9 Hydraulic Power Unit - Power Down Kits**



9 - HYDRAULIC POWER UNIT – POWER DOWN KITS			
NO.	DESCRIPTION	PART NO.	QTY.
<b>1</b>	<b>KIT POWER DOWN SINGLE CYLINDER</b>	<b>2040856</b>	<b>1</b>
1.1	DOUBLE HOSE BRACKET W/HARDWARE	1406960	1
1.2	HYDRAULIC HOSE 1400 MM (55.1")	2021335	1
<b>2</b>	<b>KIT POWER DOWN DUAL CYLINDER</b>	<b>2040857</b>	<b>1</b>
2.1	DOUBLE HOSE BRACKET W/HARDWARE	1406960	2
2.2	UNION PIPE	1406564	1
2.3	T-FITTING	1111075	2
2.4	HYDRAULIC HOSE 1400 MM (55.1")	2021335	2
2.5	ELBOW FITTING	1232266	2

**Built to Deliver - Every Time**

**10 Bed Extensions**

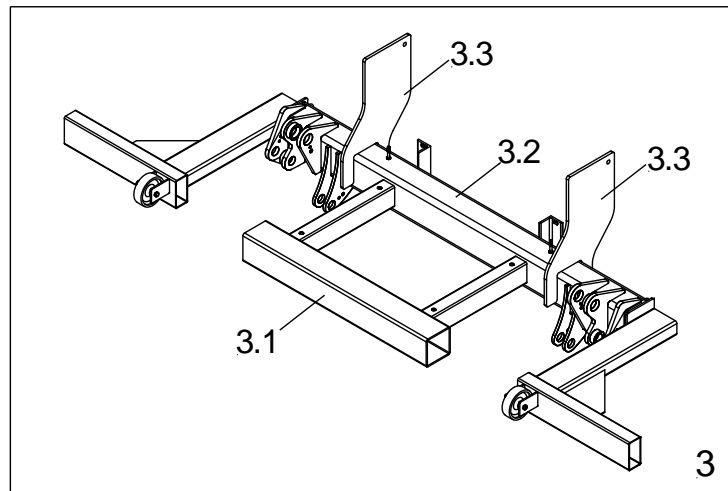
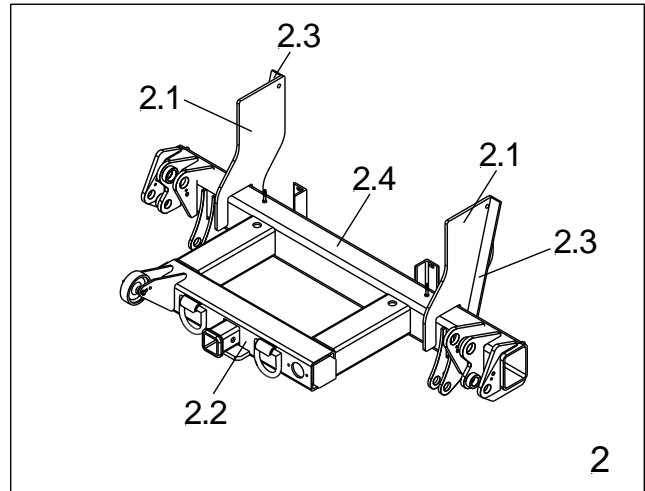
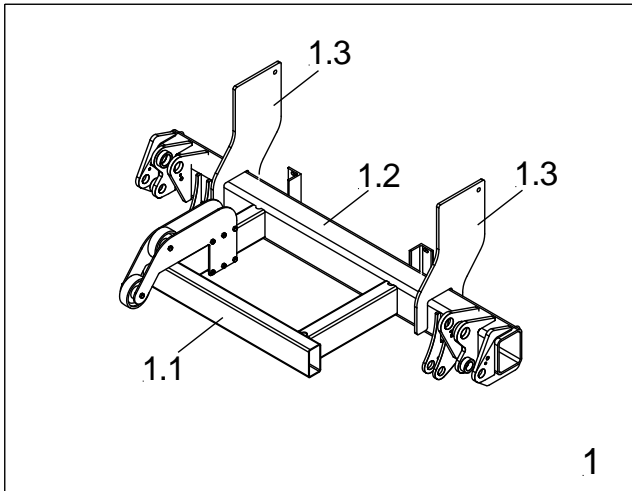


10 - BED EXTENSIONS			
NO.	DESCRIPTION	PART NO.	QTY.
1	BED EXTENSION KIT, BOLT-ON, 102" WIDE W/HARDWARE	60-0314-000	1
1.1	BED EXTENSION WELDMENT	60-0314-001	1
1.2	HARDWARE KIT	65-1012-220	1
2	BED EXTENSION, 102" WIDE, WELD ON	60-0314-001	1
3	BED EXTENSION KIT, BOLT ON, 96" WIDE, W/HARDWARE	60-0314-003	1
3.1	BED EXTENSION WELDMENT	60-0314-004	1
3.2	HARDWARE KIT	65-1012-220	1
4	BED EXTENSION, 96" WIDE, WELD ON	60-0314-004	1
5	BOLT-ON BED EXTENSION HARDWARE KIT	65-1012-220	1
5.1	9/16"-18 NUT, WITH STOP ARM	65-1012-012	13
5.2	HEX HEAD CAP SCREW 9/16"-18 X 1.75"	99-8813-119	13



**Built to Deliver - Every Time**

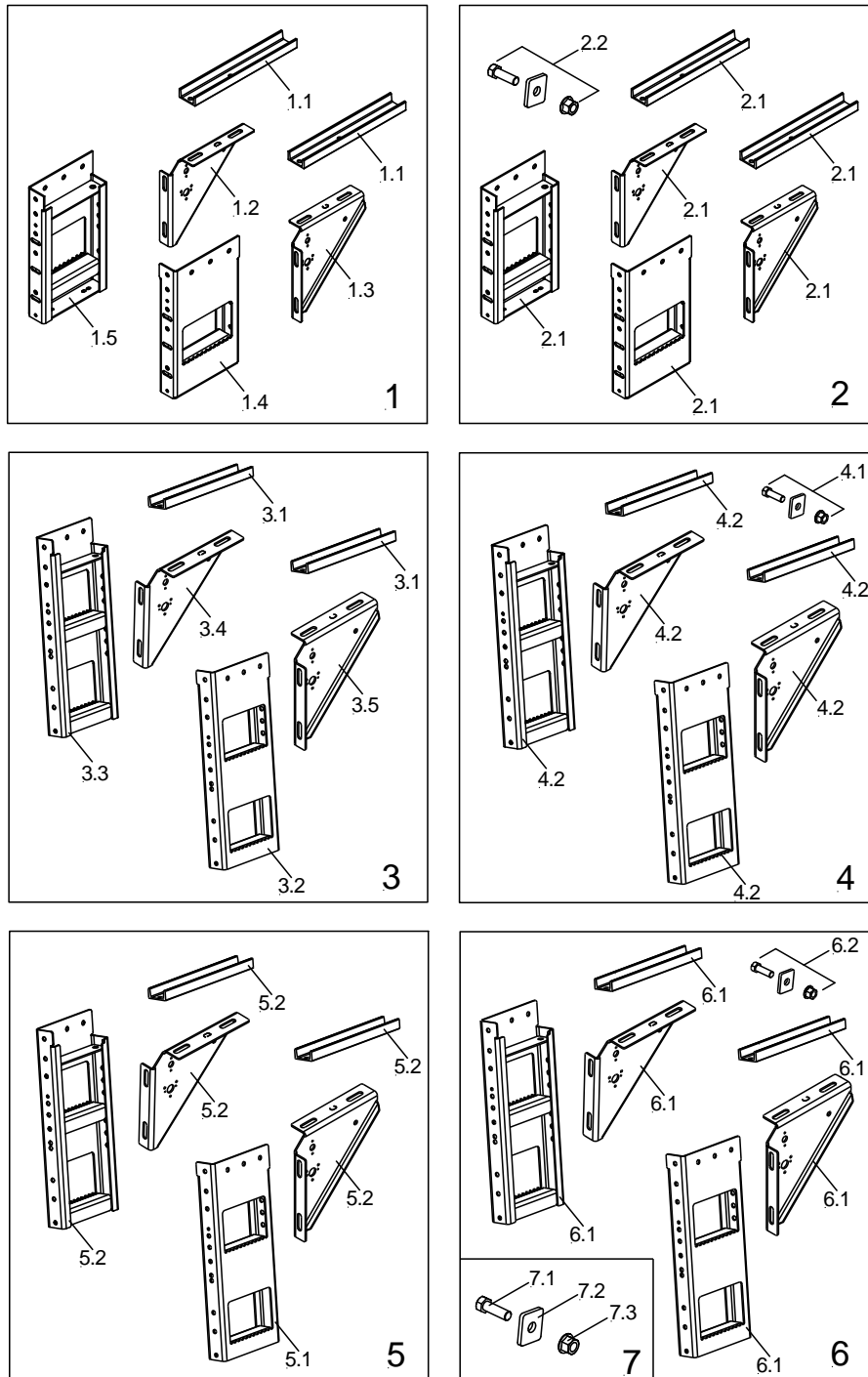
**11 Bumpers**



11 - BUMPERS			
NO.	DESCRIPTION	PART NO.	QTY.
<b>1</b>	<b>MOUNT FRAME ASSY CENTER BUMBER</b>	<b>01-0314-780</b>	<b>1</b>
1.1	CENTER BUMPER ASSY	01-0314-850	1
1.2	MOUNT FRAME ASSY	01-0314-750	1
1.3	MOUNT PLATE	06-0314-300	2
<b>2</b>	<b>MOUNT FRAME ASSY TOW HITCH</b>	<b>01-0314-790</b>	<b>1</b>
2.1	MOUNT PLATE	06-0314-300	2
2.2	TOW HITCH ASSY	61-0314-870	1
2.3	FLATBAR; REINFORCEMENT	61-0314-890	2
2.4	MOUNT FRAME ASSY	01-0314-750	1
<b>3</b>	<b>MOUNT FRAME ASSY DOT BUMPER</b>	<b>01-0314-775</b>	<b>1</b>
3.1	DOT BUMPER ASSY	01-0314-885	1
3.2	MOUNT FRAME ASSY	01-0314-750	1
3.3	MOUNT PLATE	06-0314-300	2

**Built to Deliver - Every Time**

**12 Dock Bumpers**

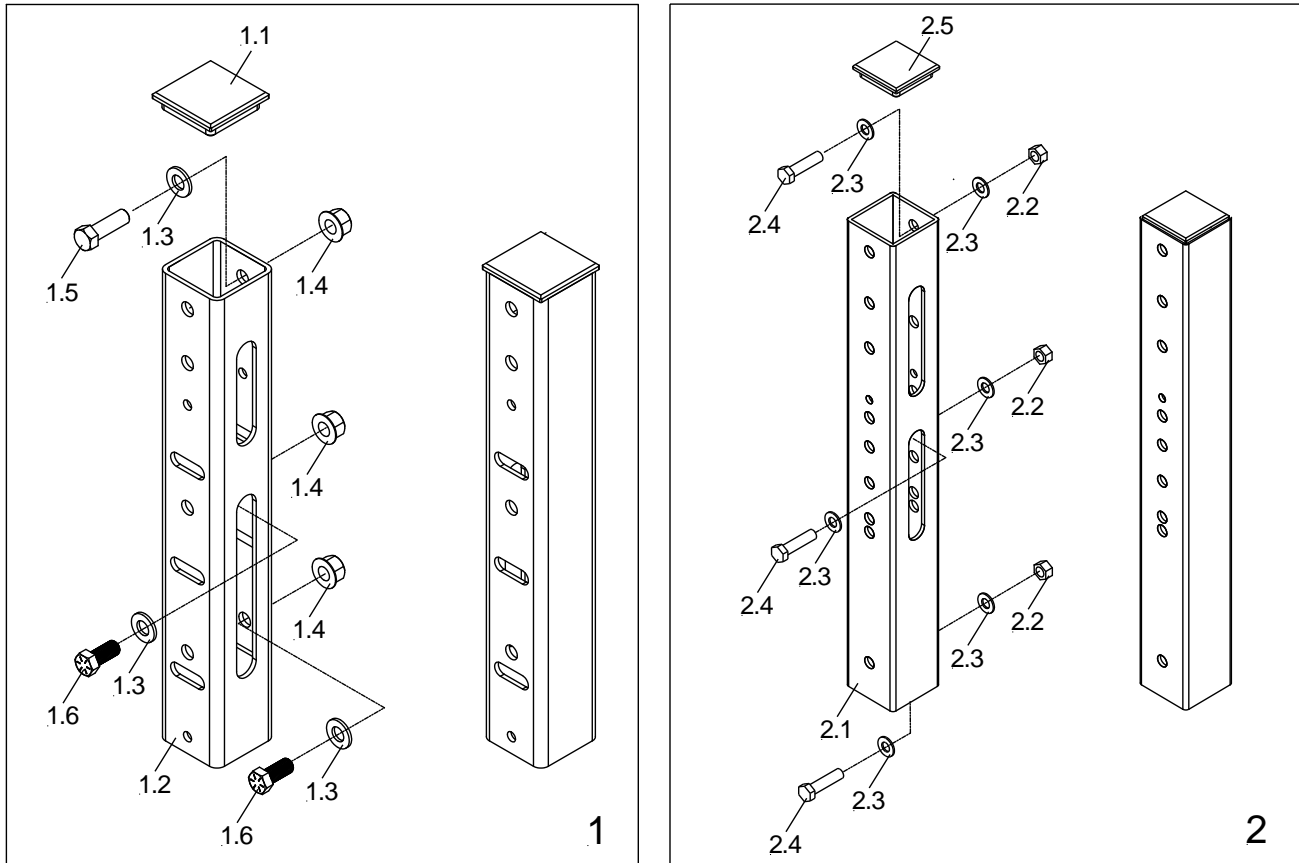


**Built to Deliver - Every Time**

12- DOCK BUMPERS			
NO.	DESCRIPTION	PART NO.	QTY.
<b>1</b>	<b>21" DOCK BUMPER KIT, WELD-ON, HEAVY DUTY (3/16")</b>	<b>60-7515-013</b>	<b>1</b>
1.1	WELD CHANNEL	60-1013-032	2
1.2	STRUT BRACE, STREET SIDE	65-7514-008	1
1.3	STRUT BRACE, CURB SIDE	65-7514-009	1
1.4	DOCK BUMPER, 3/16" X 21", CURB SIDE	65-7515-000	1
1.5	DOCK BUMPER, 3/16" X 21", STREET SIDE	65-7515-003	1
<b>2</b>	<b>21" DOCK BUMPER KIT, BOLT-ON, HEAVY DUTY (3/16") W/HARDWARE</b>	<b>65-7515-007</b>	<b>1</b>
2.1	DOCK BUMPER KIT (WELD-ON)	60-7515-013	1
2.2	HARDWARE KIT	65-1013-012	1
<b>3</b>	<b>28" DOCK BUMPER KIT, WELD-ON, HEAVY DUTY (3/16")</b>	<b>65-7514-001</b>	<b>1</b>
3.1	WELD CHANNEL	60-1013-032	2
3.2	DOCK BUMPER, 3/16" X 28", CURB SIDE	65-7514-002	1
3.3	DOCK BUMPER, 3/16" X 28", STREET SIDE	65-7514-003	1
3.4	STRUT BRACE, STREET SIDE	65-7514-008	1
3.5	STRUT BRACE, CURB SIDE	65-7514-009	1
<b>4</b>	<b>28" DOCK BUMPER KIT, BOLT-ON, HEAVY DUTY (3/16") W/HARDWARE</b>	<b>65-7514-000</b>	<b>1</b>
4.1	HARDWARE KIT	65-1013-012	1
4.2	DOCK BUMPER KIT(WELD-ON)	65-7514-001	1
<b>5</b>	<b>28" DOCK BUMPER KIT, WELD-ON, HEAVY DUTY (1/4")</b>	<b>65-1013-011</b>	<b>1</b>
5.1	DOCK BUMPER 1/4" X 28"	60-1013-010	1
5.2	DOCK BUMPER 1/4" X 28"	60-1013-020	1
5.3	STRUT BRACE, STREET SIDE	60-1013-030	1
5.4	STRUT BRACE, CURB SIDE	60-1013-031	1
5.5	WELD CHANNEL	60-1013-032	2
<b>6</b>	<b>28" DOCK BUMPER KIT, BOLT-ON, EXTRA HEAVY DUTY (1/4") W/HARDWARE</b>	<b>65-1013-010</b>	<b>1</b>
6.1	DOCK BUMPER KIT(WELD-ON)	65-7514-001	1
6.2	HARDWARE KIT	65-1013-012	1
<b>7</b>	<b>DOCK BUMPER HARDWARE KIT</b>	<b>65-1013-012</b>	<b>1</b>
7.1	CLAMP WASHER	60-1013-050	8
7.2	9/16-18 FLANGE LOCK NUT	EM 693	16
7.3	9/16-18 X 1.75" HEX HEAD CAP SCREW	ES3444	16

**Built to Deliver - Every Time**

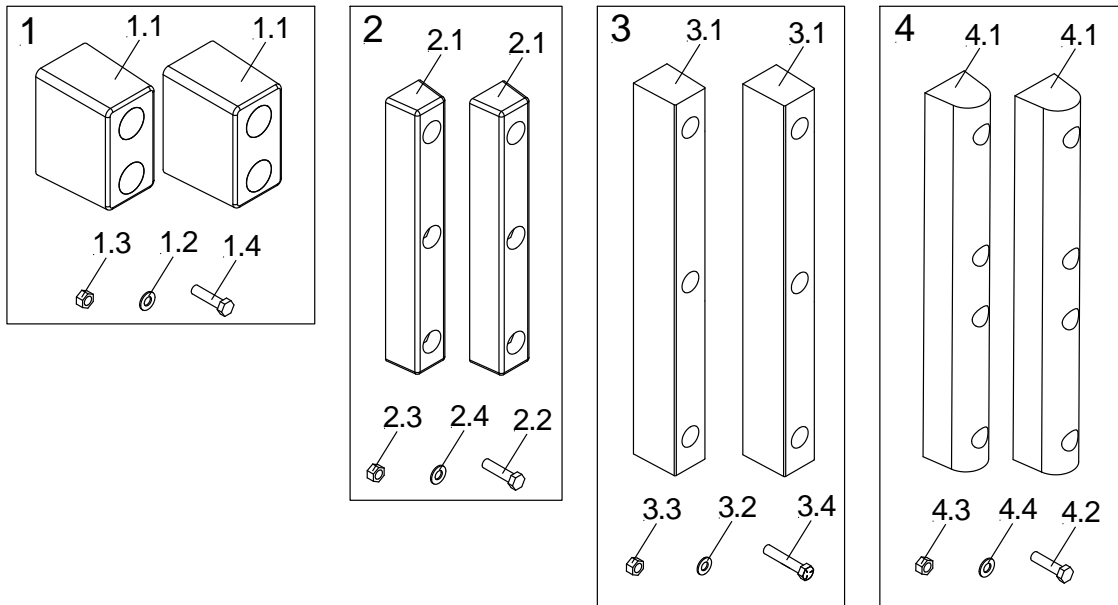
**13 Dock Bumpers Walk Ramp Extensions**



13 - DOCK BUMPERS – WALK RAMP EXTENSIONS			
NO.	DESCRIPTION	PART NO.	QTY.
<b>1</b>	<b>21" DOCK BUMPER, BOLT-ON, WALK RAMP EXTENSION KIT, W/HARDWARE</b>	<b>65-7515-013</b>	<b>1</b>
1.1	3" SQUARE TUBE CAP	99-8714-001	2
1.2	WALK RAMP EXTENSION TUBE	65-7515-014	2
1.3	WASHER;FLAT;9/16 SAE/USS	EK3280	6
1.4	9/16-18 FLANGE LOCK NUT	EM 693	6
1.5	9/16-18 X 1.75 HEX HEAD CAP SCREW	ES3444	2
1.6	HEX HEAD CAP SCREW; 9/16-18 X 1 1/4"	ES3689	4
<b>2</b>	<b>28" DOCK BUMPER, BOLT-ON, WALK RAMP EXTENSION KIT, W/HARDWARE</b>	<b>65-7514-014</b>	<b>1</b>
2.1	WALK RAMP EXTENSION	65-7514-015	2
2.2	NYLOCK, 1/2"-13	99-8813-005	6
2.3	1/2" CUT WASHER	99-8813-006	12
2.4	HEX HEAD CAP SCREW, 1/2"-13 X 1.5"	99-8813-009	6
2.5	3" SQUARE TUBE CAP	99-8714-001	2

**Built to Deliver - Every Time**

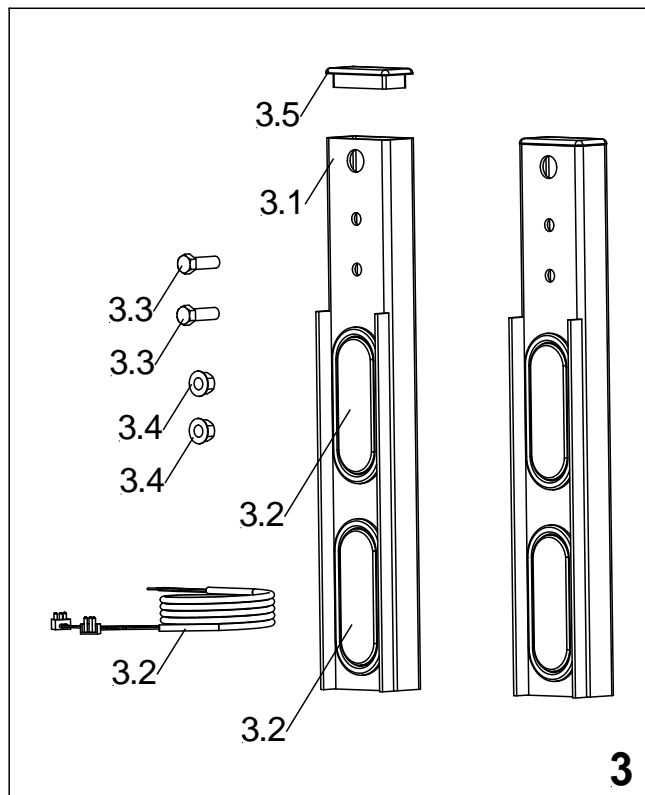
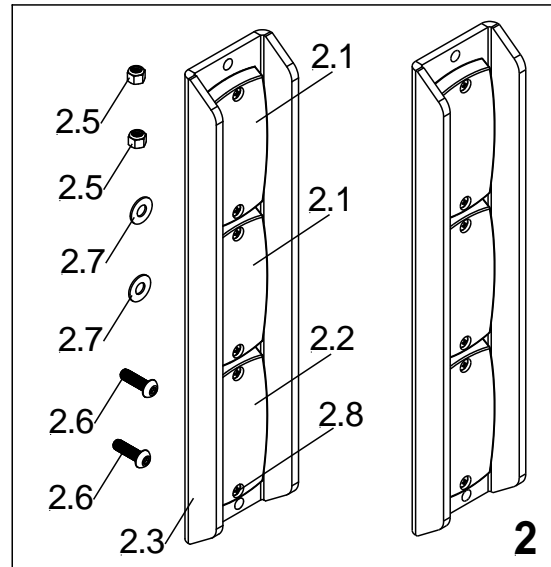
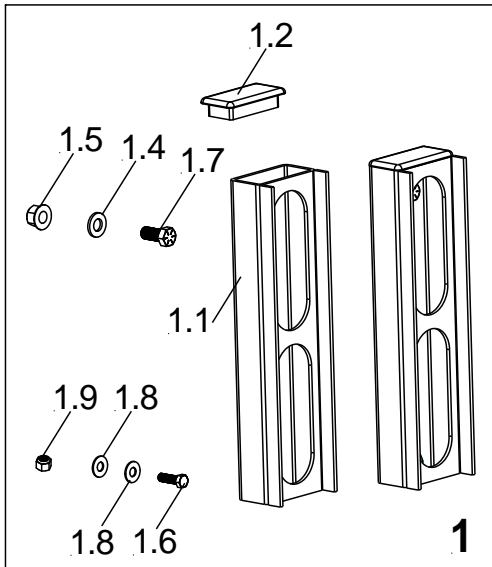
**14 Dock Bumpers Rubber Pads**



14 - DOCK BUMPERS RUBBER PADS			
NO.	DESCRIPTION	PART NO.	QTY.
<b>1</b>	<b>RUBBER BUMPER KIT, 2.6"X3.5"X5", 2 HOLE, W/BOLT-ON HARDWARE</b>	<b>65-7514-013</b>	<b>1</b>
1.1	RUBBER BUMPER SMALL	65-7514-012	2
1.2	WASHER, FLAT, 1/2"	EK2796	8
1.3	NYLOCK, 1/2"-13	EM-707	4
1.4	HEX HEAD CAP SCREW, 1/2-13X3"	ES3442	4
<b>2</b>	<b>RUBBER BUMPER KIT, 2"X2.5"X16", 3 HOLE, W/BOLT-ON HARDWARE</b>	<b>65-7514-011</b>	<b>1</b>
2.1	RUBBER PAD	1-00021	2
2.2	HEX HEAD CAP SCREW, 1/2"-13 X 2"	99-8813-004	6
2.3	NYLOCK, 1/2"-13	99-8813-005	6
2.4	1/2" CUT WASHER	99-8813-006	12
<b>3</b>	<b>RUBBER BUMPER KIT, 3"X2.5"X24", 3 HOLE, W/BOLT-ON HARDWARE</b>	<b>65-7514-024</b>	<b>1</b>
3.1	RUBBER DOCK BUMPER	65-7514-023	2
3.2	WASHER, FLAT, 1/2"	EK2796	12
3.3	NYLOCK, 1/2"-13	EM-707	6
3.4	HEX HEAD CAP SCREW 1/2"-13X2.75" GR.5,ZINC	ES3554	6
<b>4</b>	<b>RUBBER BUMPER KIT, 3"X3"X24", 4 HOLE, W/BOLT-ON HARDWARE</b>	<b>65-7513-424</b>	<b>1</b>
4.1	RUBBER DOCK BUMPER	65-7513-024	2
4.2	HEX HEAD CAP SCREW, 1/2"-13 X 2"	99-8813-004	8
4.3	NYLOCK, 1/2"-13	99-8813-005	8
4.4	1/2" CUT WASHER	99-8813-006	16

**Built to Deliver - Every Time**

**15 Dock Bumper Light Kits**

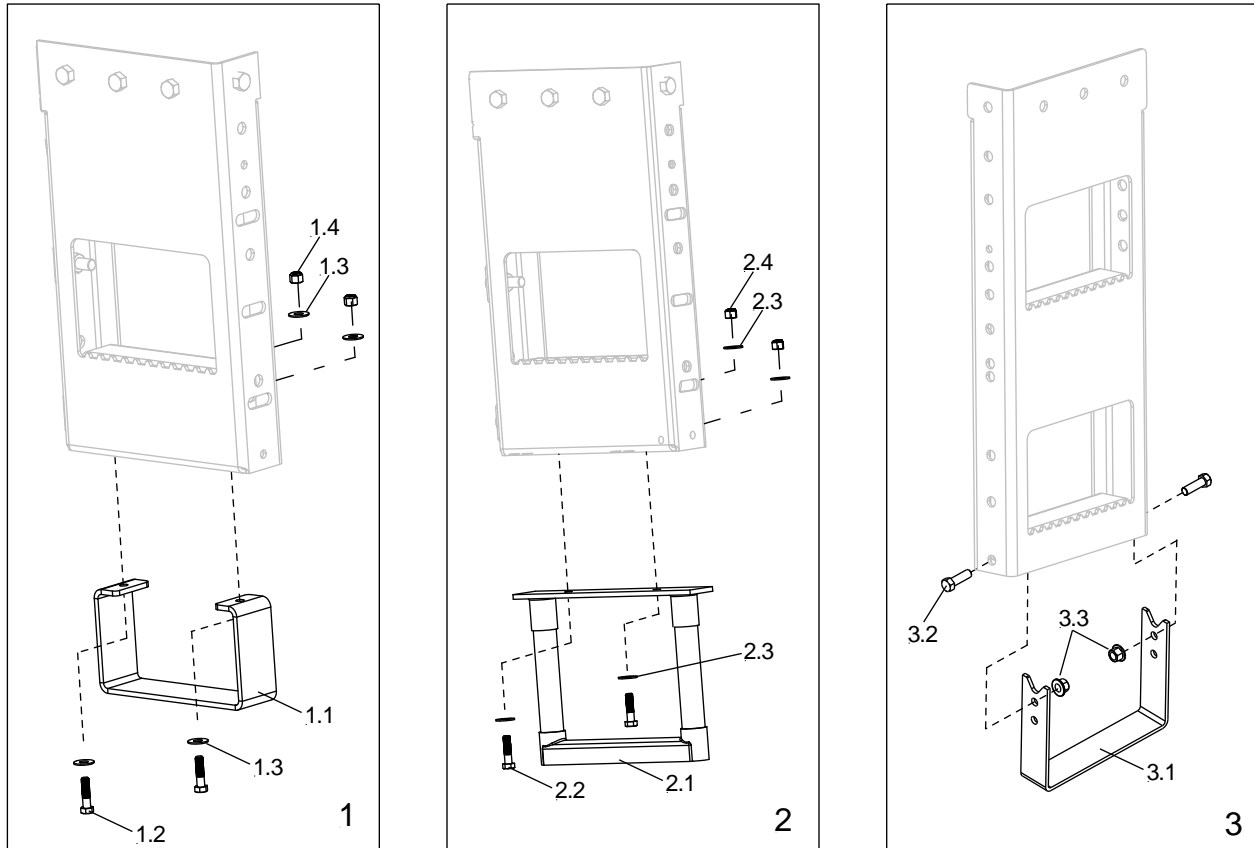


**Built to Deliver - Every Time**

<b>15 - DOCK BUMPER LIGHT KITS</b>			
<b>NO.</b>	<b>DESCRIPTION</b>	<b>PART NO.</b>	<b>QTY.</b>
<b>1</b>	<b>LIGHT FIXTURE KIT, 21" DOCK BUMPERS, (NO LIGHTS INLCLUDED.)</b>	<b>60-7515-014</b>	<b>1</b>
1.1	SERIES 60 LIGHT FIXTURE 21"	65-7515-010	2
1.2	2 X 4 PLUG	60-1007-401	2
1.3	WASHER;FLAT;9/16" SAE/USS	EK3280	2
1.4	9/16-18 FLANGE LOCK NUT	EM 693	2
1.5	HEX HEAD CAP SCREW; 3/8-16 X 1.25"	ES3496	2
1.6	HEX HEAD CAP SCREW; 9/16-18 X 1 1/4"	ES3689	2
1.7	WASHER,FLAT,3/8" USS,ZINC	EK3216	4
1.8	NUT,NYLOCK 3/8-16 GR.5 ZINC	EM-708	2
<b>2</b>	<b>LIGHT FIXTURE KIT, DOCK BUMPERS, 3" LIGHTS, W/BOLT ON HARDWARE</b>	<b>65-1013-400</b>	<b>1</b>
2.1	RED LED LIGHT	65-1013-201	2
2.2	WHITE LED LIGHT	65-1013-202	1
2.3	3-LIGHT BRACKET	65-7513-102	1
2.4	PROPELL NUT	99-1013-001	6
2.5	3/8-16 NYLOCK	99-8813-032	2
2.6	3/8-16 BHCS X 1.25"	99-8813-048	2
2.7	3/8 FLAT WASHER	99-8813-058	2
2.8	PHILLIPS MACHINE SCREW #10-32 X 1/2"	99-8813-078	6
<b>3</b>	<b>LIGHT FIXTURE KIT. 28" DOCK BUMPERS, SERIES 60 LIGHT (W/LIGHTS)</b>	<b>65-0815-100</b>	<b>1</b>
3.1	SERIES 60 LIGHT FIXTURE	65-0815-002	2
3.2	LIGHT KIT, W/HARNESS, RED	70-8015-015	1
3.3	9/16-18 X 1.75" HEX HEAD CAP SCREW	99-8813-119	4
3.4	9/16-18 FLANGE LOCK NUT	99-8813-120	4
3.5	2 X 4 PLUG	60-1007-401	2

**Built to Deliver - Every Time**

**16 Dock Bumper Steps**

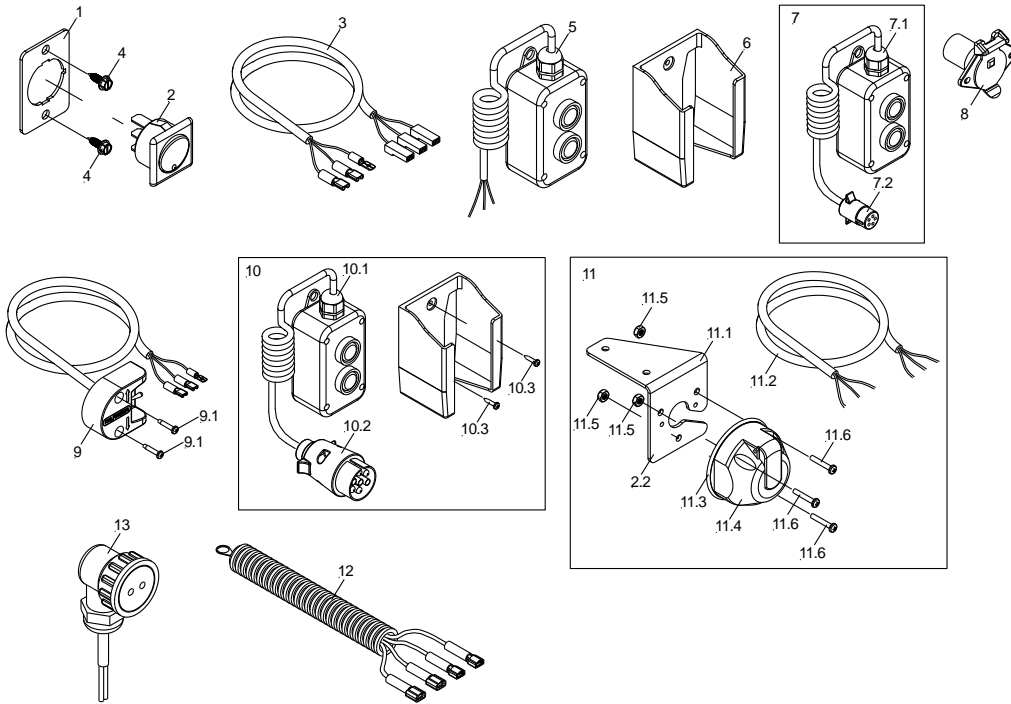


16 - DOCK BUMPER STEPS			
NO.	DESCRIPTION	PART NO.	QTY.
<b>1</b>	<b>21" DOCK BUMPER CABLE STEP KIT, w/BOLT ON HARDWARE</b>	<b>65-7515-006</b>	<b>1</b>
1.1	CABLE STEP	65-7515-005	1
1.2	HEX HEAD CAP SCREW 3/8-16X1.5"	ES3656	2
1.3	WASHER,FLAT,3/8" USS,ZINC	EK3216	4
1.4	NUT,NYLOCK 3/8-16 GR.5 ZINC	EM-708	2
<b>2</b>	<b>21" DOCK BUMPER STIRRUP STEP KIT, w/BOLT ON HARDWARE</b>	<b>65-7515-012</b>	<b>1</b>
2.1	STIRRUP STEP; 6"	65-1011-102	1
2.2	HEX HEAD CAP SCREW 3/8-16X1.5"	ES3656	2
2.3	WASHER,FLAT,3/8" USS,ZINC	EK3216	4
2.4	NUT,NYLOCK 3/8-16 GR.5 ZINC	EM-708	2
<b>3</b>	<b>28" DOCK BUMPER STIRRUP STEP KIT, w/BOLT ON HARDWARE</b>	<b>65-7514-010</b>	<b>1</b>
3.1	STEP EXTENSION	60-1013-060	2
3.2	9/16-18 X 1.75" HEX HEAD CAP SCREW	99-8813-119	4
3.3	9/16-18 FLANGE LOCK NUT	99-8813-120	4



**Built to Deliver - Every Time**

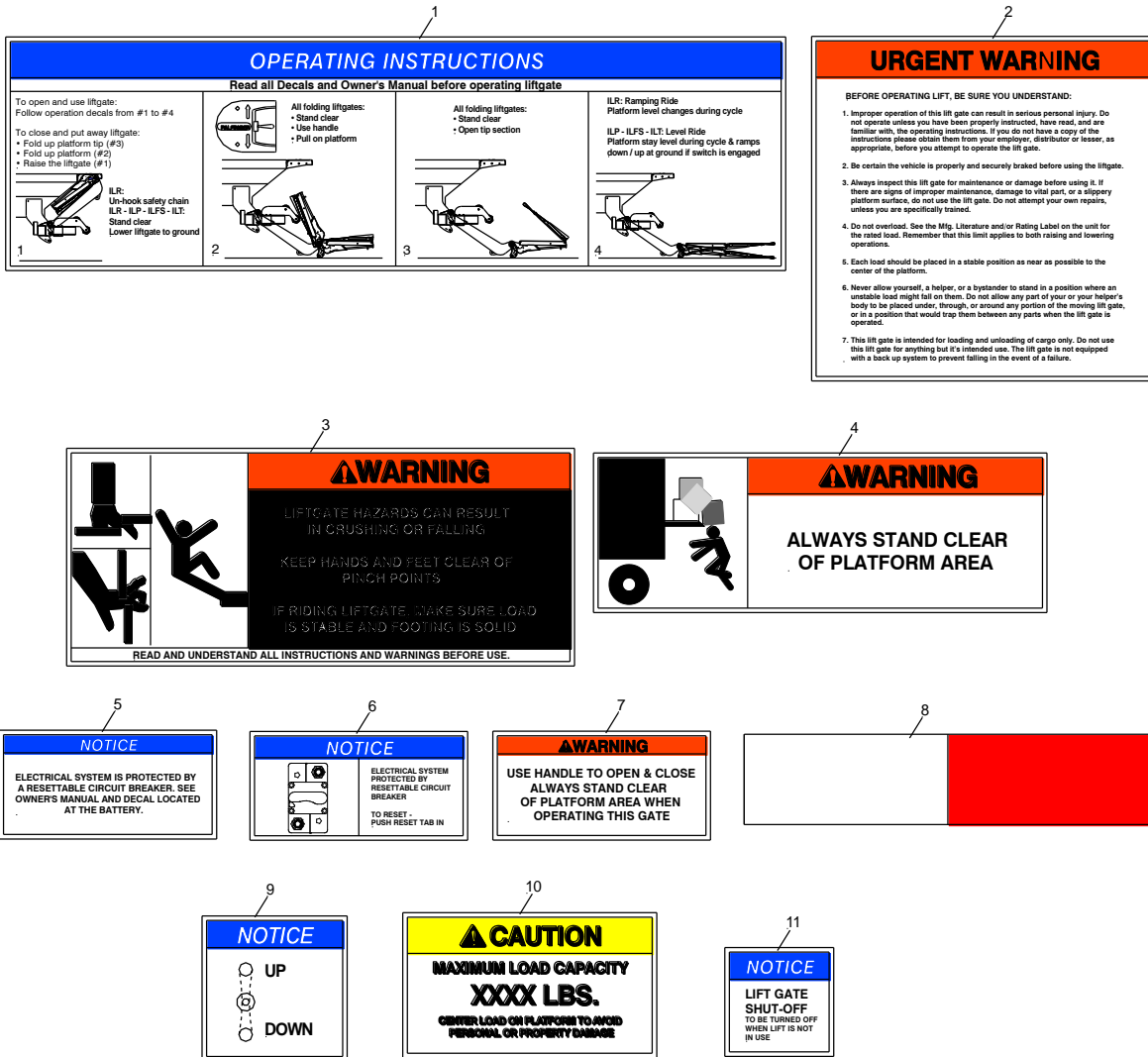
**17 Controls**



17 - CONTROLS			
NO.	DESCRIPTION	PART NO.	QTY.
1	BRACKET, CAB SHUT-OFF SWITCH	70-1012-001	1
2	SWITCH, ROCKER, CAB SHUTOFF	70-1012-002	1
3	CABLE, IN CAB SHUT-OFF	2025982	1
4	SHEET METAL SCREW, #8X1/2"; HEX WASHER; ZINC	ES3748	2
5	2-BUTTON HAND CONTROL W/COIL	70-1116-001	1
6	HAND HELD CONTROL HOLSTER	70-1116-002	1
7	<b>KIT, 2-BUTTON HAND CONTROL W/COIL, 4-WAY PLUG</b>	<b>70-7516-007</b>	<b>1</b>
7.1	HAND CONTROL, 2 BUTTON	70-1116-001	1
7.2	PLUG; TRAILER 4 PRONG	70-8016-003	1
8	SOCKET, 4 PRONG	70-8016-004	1
9	TOGGLE SWITCH	P-2004565	1
9.1	TOGGLE SWITCH, TYPE F #10-24X1" PHILLIPS ZINC MOUNTING SCREWS	ES3725	2
10	<b>KIT, 2-BUTTON HAND CONTROL W/PLUG, 7-WAY, HELLA</b>	<b>70-7516-104</b>	<b>1</b>
10.1	2 BUTTON HAND CONTROL	72916816	1
10.2	PLUG, HELLA 7 PIN	70-7516-103	1
10.3	SCREW, #10 X1" SHEETMETAL	ES3603	2
11	<b>KIT, SOCKET, 7-WAY, HELLA</b>	<b>70-7516-105</b>	<b>1</b>
11.1	BRACKET, HND CNTRL, ILU	70-1310-101	1
11.2	CABLE; 18GA 3 WIRE	EZ7037	1
11.3	SEAL, HELLA SOCKET	70-7516-101	1
11.4	SOCKET, HELLA 7 PIN	70-7516-102	1
11.5	NUT, HEX; 10-24	EM 708	3
11.6	#10-24x1 1/4" SCREW; MACHINE	ES3809	3
12	POWER DOWN HARNESS	70-1011-100	1
13	SOLENOID VALVE CABLE	P-6725198	1

# Built to Deliver - Every Time

## 18 Decals



18 - DECALS			
NO.	DESCRIPTION	PART NO.	QTY.
1	OPERATIONAL INSTRUCTION	MLATG-ILR-ILFS	1
2	URGENT WARNING DECAL	MLATG-URGWA	1
3	WARNING- LIFTGATE HAZARDS	MLATG-WLH	2
4	WARNING- STAND CLEAR	MLATG-PLAT	2
5	DECAL, ELECTRICAL SYSTEM	MLATG-RESET	1
6	DECAL, CIRCUIT BREAKER, BLUE	MLATG-BKR	1
7	WARNING- USE HANDLE TO OPEN	MLATG-WNG	1
8	DECAL, CONSPICUITY TAPE 2"X82"	ML85-1114-003	1
9	DECAL, UP/DOWN MBB OS# 1282134	MLATG-UD	1
10	DECAL, LIFTGATE CAPACITY	MLATG-XXXX*	2
11	DECAL, LIFTGATE SHUT OFF	MLATG-CAB	1

\*XXXX = LIFTGATE CAPACITY (LBS) [EXAMPLE PART NUMBER: MLATG- 3000]

Palfinger Liftgates, LLC.  
 15939 Piuma Ave, Cerritos, CA 90703  
 Tel: (888) 774-5844, Fax: (562) 924-8318

Palfinger Liftgates, LLC.  
 572 Whitehead Road, Trenton, NJ 08619  
 Tel: (609) 587-4200, Fax: (609) 587-4201