



**LIFTGATES**

# **ILT 35,40**

## **PARTS MANUAL**

**ECN-M0XXX Rev. 1.7, Date 06-30-2014 Part #90-1014-000**

---

*PALFINGER Liftgates, LLC. 15939 Piuma Ave., Cerritos, CA 90703*

*Tel (888)-774-5844 Fax (562)-924-8318*

*PALFINGER Liftgates, LLC. 572 Whitehead Road, Trenton, NJ 08619*

*Tel (609)-587-4200 Fax (609)-587-4201*

[Visit our website at www.palfinger.com](http://www.palfinger.com) for up to date information and notifications

**If you received this product with damaged or missing parts,**

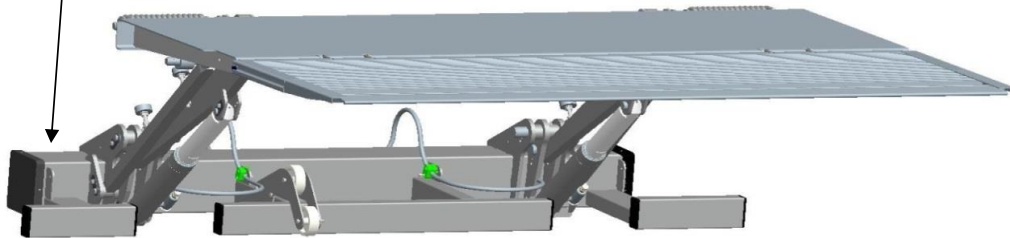
**Please contact PALFINGER Liftgates at (888)-774-5844**

**INDEX**

**ILT - liftgate**

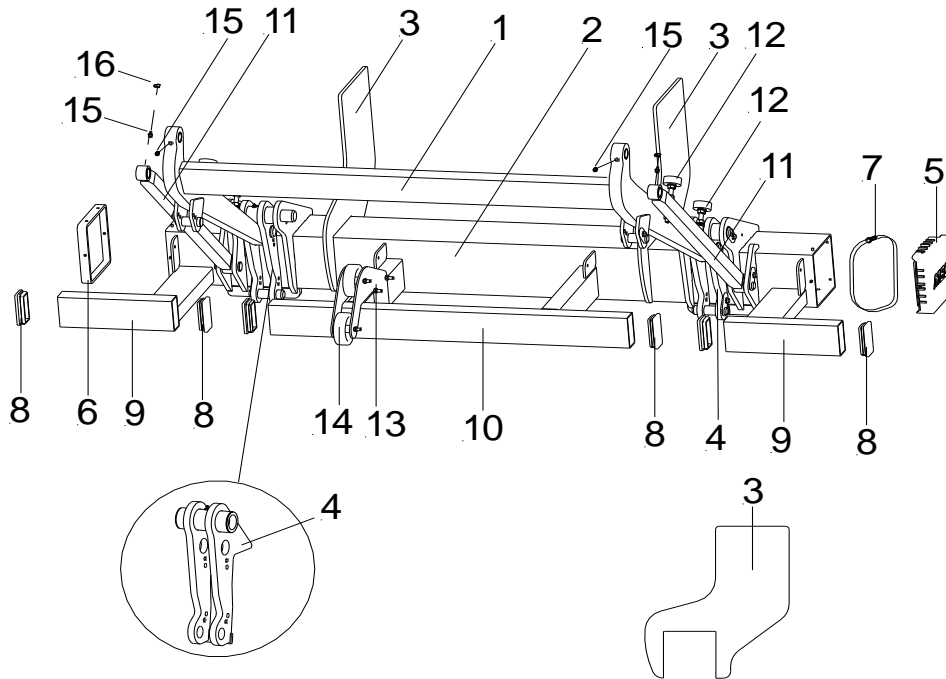
**Twin Fold**

Important gate information:  
On the top of the tube on  
the driver side



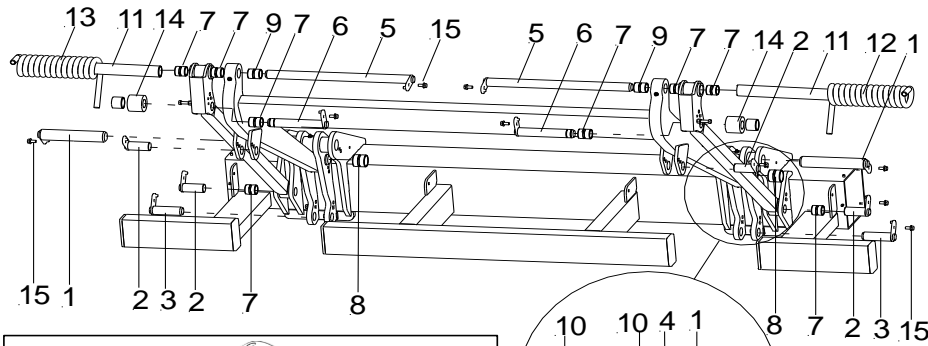

	Description	Page
	LIFTING GEAR	3
	PINS & BUSHINGS	4
	BED EXTENSION	5
	MAIN PLATFORM STEEL	6
	MAIN PLATFORM ALUMINUM	7
	PLATFORM PIN AND GROUND ROLLER	8
	PLATFORM TIP	9
	CONTROL SYSTEM	10
	CYLINDER AND COMPONENTS	11
	CYLINDER AND COMPONENTS POWER DOWN	12
	CYLINDER AND COMPONENTS POWER DOWN	13
	POWER PACK GRAVITY DOWN UNTIL 01/2013	14
	POWER PACK POWER DOWN UNTIL 01/2013	15
	POWER PACK POWER DOWN SINCE 01/2013	16
	POWER PACK GRAVITY DOWN SINCE 01/2013	17
	HYDRAULIC PIPE SYSTEM	18, 19

**ILT LIFTING GEAR**

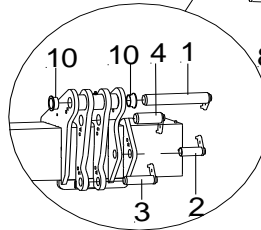
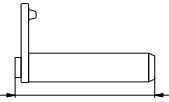


No.	Description	Part no.
1	Lift arm	10-1007-100
2	Main frame	01-1007-100
	Main frame for ILT- WR (with walk ramp)	01-1007-200
3	Mount plate	60-1007-201
4	Swinging fixture	05-1007-100
5	Rubber cover with hinge for control system	P-2007474
6	Rubber cover	P-68483018
7	Clamp for cover	P-2010169
8	Mount tube plastic end	P-2013674
9	Bumper - <i>outer</i>	on request
10	Bumper - <i>center</i>	on request
11	Parallel arm	15-1009-100
12	Rubber snubber with hardware	P-1128624
13	Wheel bracket assembly	60-1007-500
14	One wheel with hardware	P-2003774
15	Grease zerk	P-2019653
16	Red cap	P-1191680


## ILT PINS & BUSHINGS

mm	Inch	Part No.
32 / 28 x 31	1 1/4 / 1 1/8 x 1 1/4	P - 1403367
32 / 28 x 36	1 1/4 / 1 1/8 x 1 3/8	P - 1403364
40 / 36 x 36	1 1/2 / 1 3/8 x 1 3/8	P - 1403366

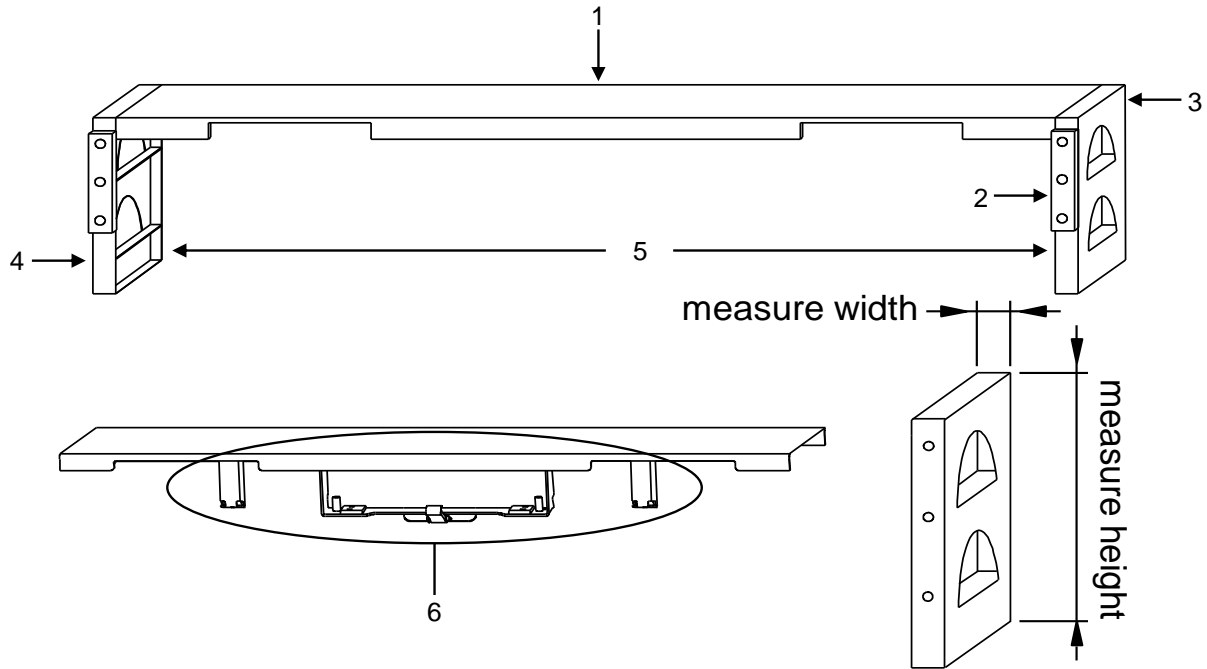
mm	Inch	Part No.
28 x 74	1 1/8 x 2 7/8	P - 2003651
28 x 99	1 1/8 x 3 7/8	P - 1326307
28 x 180	1 1/8 x 7	P - 1354169
28 x 453	1 1/8 x 17 3/4	P - 1407655
36 x 91	1 3/8 x 3 1/2	P - 1350394
36 x 206	1 3/8 x 8 1/8	P - 1403348



mm	Inch	Part No.
36 / 40 / 50 x 17	1 3/8 / 1 1/2 / 2 x 5/8	P - 1278682

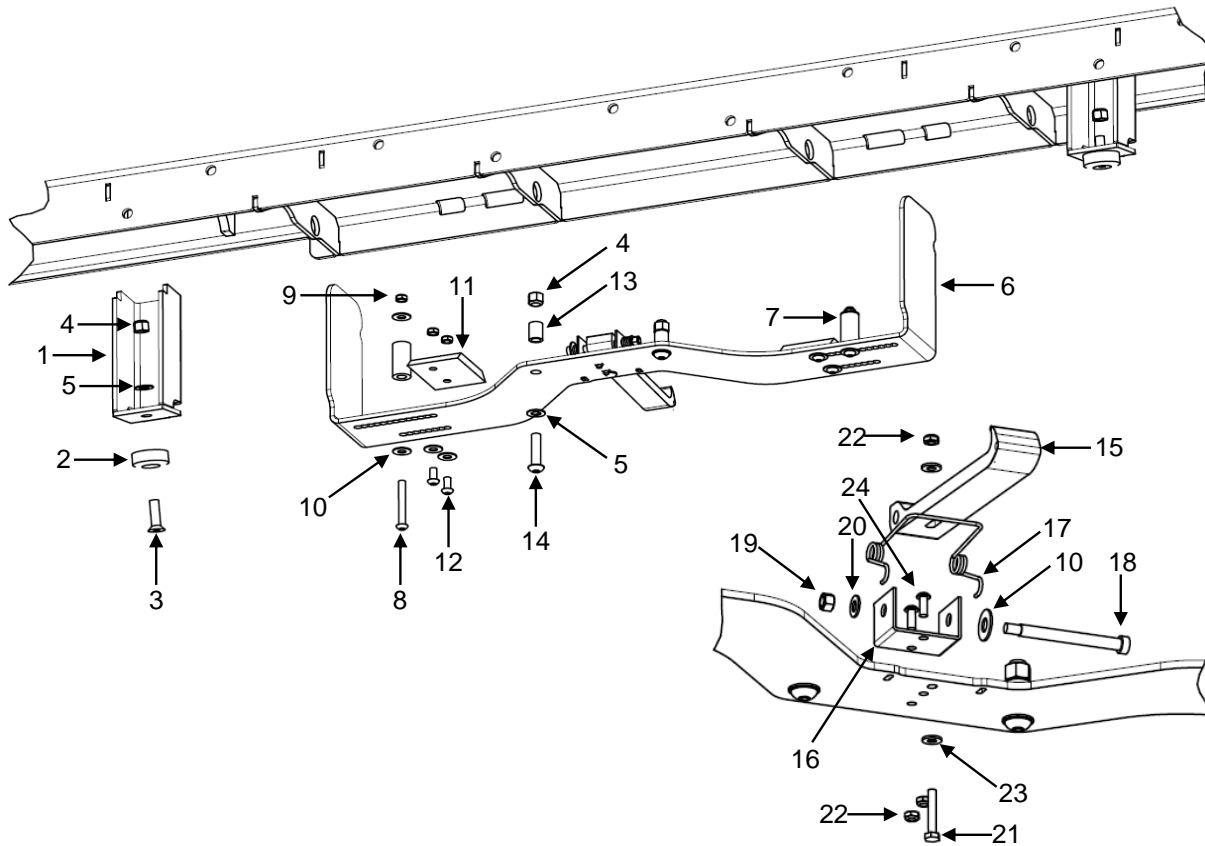
No.	Description	Part no.
<b>PINS</b>		
1	Pin <i>swinging fixture, tube</i>	P-1403348
2	Pin <i>parallel arm, tube ; lift cylinder, lift arm</i>	P-2003651
3	Pin <i>lift cylinder, swinging fixture</i>	P-1326307
4	Pin <i>swinging fixture, lift arm</i>	P-1350394
5	Pin <i>platform, shackle, lift arm</i>	P-1353966
6	Pin <i>incl. roller kit</i>	P-1405023
<b>BUSHINGS</b>		
7	Bushing <i>shackle, parallel arm</i>	P-1403367
8	Bushing <i>lift arm, tube</i>	P-1403366
9	Bushing <i>lift arm</i>	P-1403364
10	Bushing <i>swinging fixture</i>	P-1278682
11	Torsion spring plastic tube	P-1228526
<b>HARDWARE</b>		
12	Coil spring - <i>curb side</i>	P-2014616
13	Coil spring - <i>driver side</i>	P-2014617
14	Roller, steel	P-2014620
15	Bolt, pin lock	P-2009212
<b>KITS</b>		
	Pin kit	P-2035571
	Bushing kit	P-2035663

**ILT BED EXTENSION AND BUMPERS**



No.	Description	Part no.	
1	Bed extension - length 102" (2590mm)	60-1007-100	
	Bed extension for walk ramp - length 102" (2590mm)	60-1009-100-WR	
2	Rubber bumper	1-00021	
3	<i>DOCK BUMPER - CURB SIDE</i>		
	2 Step	length 24" (610mm), width 3" (76mm)	1-0001924R
		length 24" (610mm), width 4" (101mm) - HD	1-0001924HDR
		length 24" (610mm), width 4" (101mm) - HD with lights	1-0001924HDR-LC
		length 28" (711mm), width 4" (101mm) - HD	60-1013-020
4	<i>DOCK BUMPER - DRIVER SIDE</i>		
	2 Step	length 24" (610mm), width 3" (76mm)	1-0001924L
		length 24" (610mm), width 4" (101mm) - HD	1-0001924HDL
		length 24" (610mm), width 4" (101mm) - HD with lights	1-0001924HDL-LC
		length 28" (711mm), width 4" (101mm) - HD	60-1013-010
5	<i>KITS (Curb and driver side)</i>		
	2 Step	Dock bumper - length 24" (610mm), width 3" (76mm)	1-0001924S
		Dock bumper HD - length 24" (610mm), width 4" (101mm)	1-0001924HDS
		Dock bumper HD with lights- length 24" (610mm), width 4" (101mm)	1-0001924HDS-OR
		Dock bumper HD - length 28" (711mm), width 4" (101mm), bolt on	65-1013-010
		Dock bumper HD - length 28" (711mm), width 4" (101mm), weld on	65-1013-011
Walk ramp kit, top mount hook bracket (see next page for details)		60-1012-200	

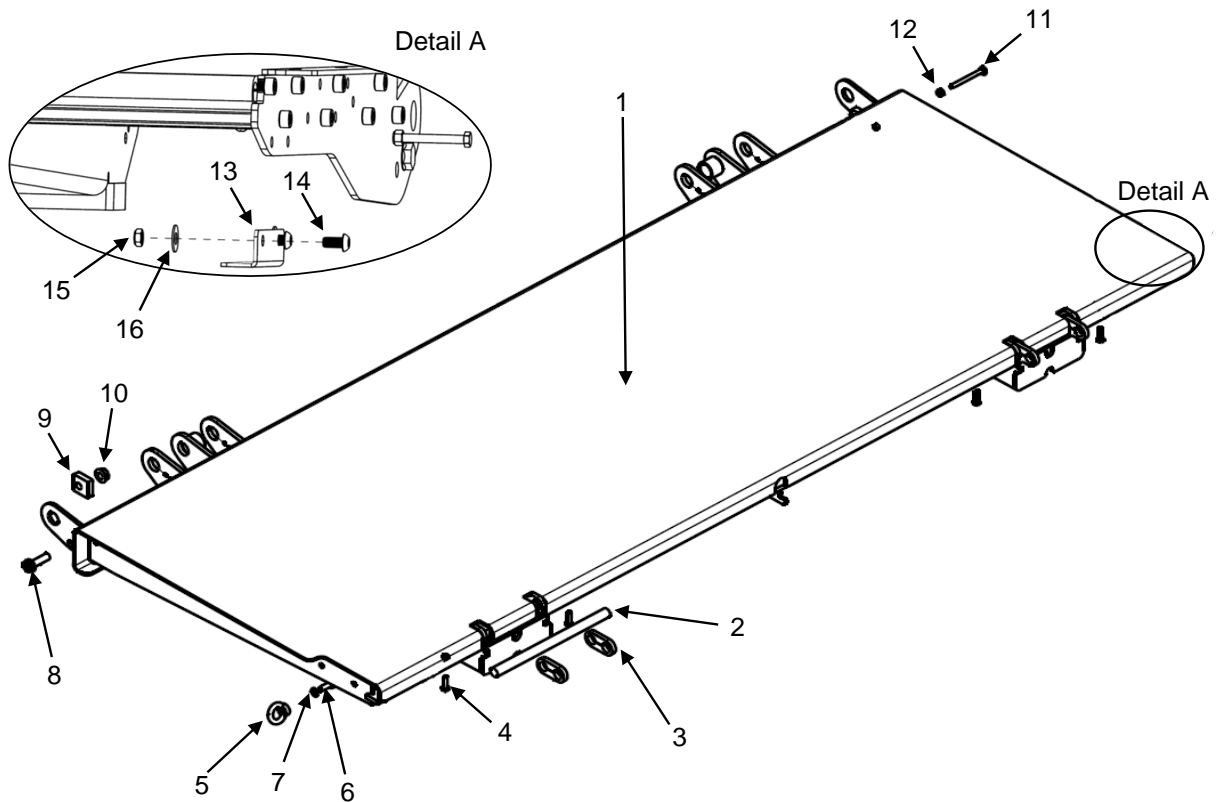
**ILT WALK RAMP KIT**



No.	Description	Part no.
1	Up stop	60-1009-301
2	Bumper, up stop	60-1009-113
3	Flat head socket cap screw, 1/2" - 13 x 1.75"	ES3536
4	Nut, nylock, 1/2" - 13	EM 707
5	Washer, flat, 1/2"	EK2796
6	Cradle, walk ramp	60-1012-211
7	Slide guard	60-1009-112
8	Button head cap screw, 3/8" - 16 x 2.75"	ES3534
9	Nut, nylock, 3/8" - 16	EM 708
10	Washer, flat, 3/8"	EK3216
11	Slide pad, walk ramp	60-1011-151
12	Button head cap screw, 3/8" - 16 x 0.75"	ES3460
13	Slide stop, walk ramp	60-1009-115
14	Button head cap screw, 1/2" - 13 x 2"	ES3535
15	Hook, walk ramp	60-1012-103
16	Bracket, emtek, w/ hardware (incl. no.'s 10, 18, 19, 20, 22 and 24)	60-1010-203
17	Torsion spring	60-1011-104
18	Shoulder screw, 3/8" OD x 3.5"L, 5/6"-18 thread	ES3533
19	Nut, nylock, 5/16" - 18	EM 710
20	Washer, flat, 5/16"	EK3217
21	Hex head cap screw, 1/4" - 20 x 1.50"	ES3538
22	Nut, nylock, 1/4" - 20	EM 722
23	Washer, flat, 1/4"	EK3218
24	Button head cap screw, 1/4" - 20 x	ES3537

**ILT PLATFORM**

**Main platform steel**

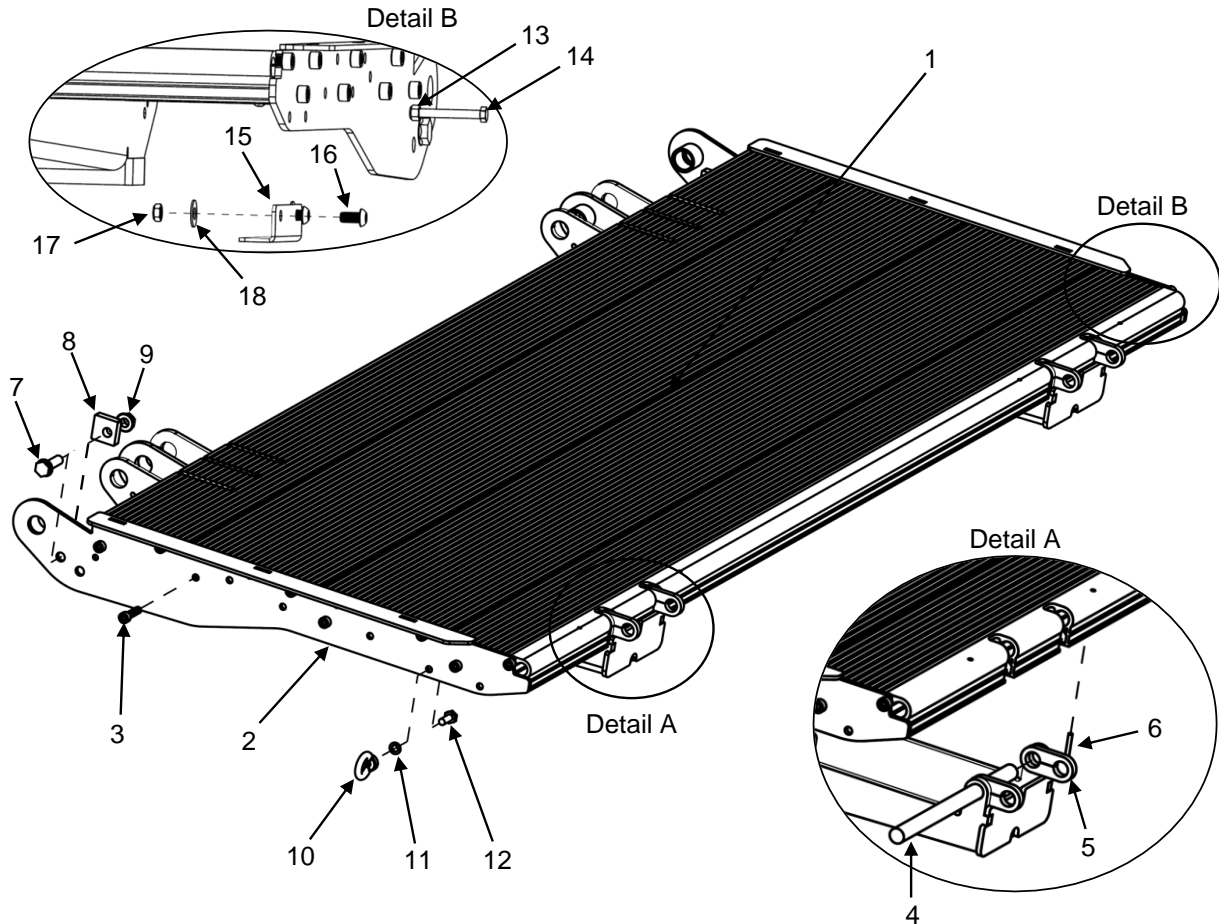


No.	Description	Part no.
1	Main platform, steel	21-1009-200
2	Pin, platform hinge	P-67264894
3	Plate, platform hinge	20-1007-101
4	Hex head cap screw, 5/16 - 18 x 1.0"	1030065
5	Ring nut, M10 - 1.5	4000297
6	Hex head cap screw, M10 - 1.5 x 25 mm	4000299
7	Washer, split lock, M10	1072121
8	Hex head cap screw, M14 - 1.5 x 45 mm	4000414
9	Plate, adjustment for torsion spring	60-1007-301
10	Nut, flange, M14 - 1.5	4000291
11	Hex head cap screw, 5/16 - 18 x 3.25"	1030122
12	Nut, nylock, 5/16 - 18	1061123
13	Plate, platform handle	20-1012-001
14	Button head cap screw, 3/8 - 16 x 0.75"	ES3460
15	Nut, thin, nylock, 3/8 - 16	EM709
16	Washer, flat, 3/8	EK3216



**ILT PLATFORM**

**Main platform aluminum**



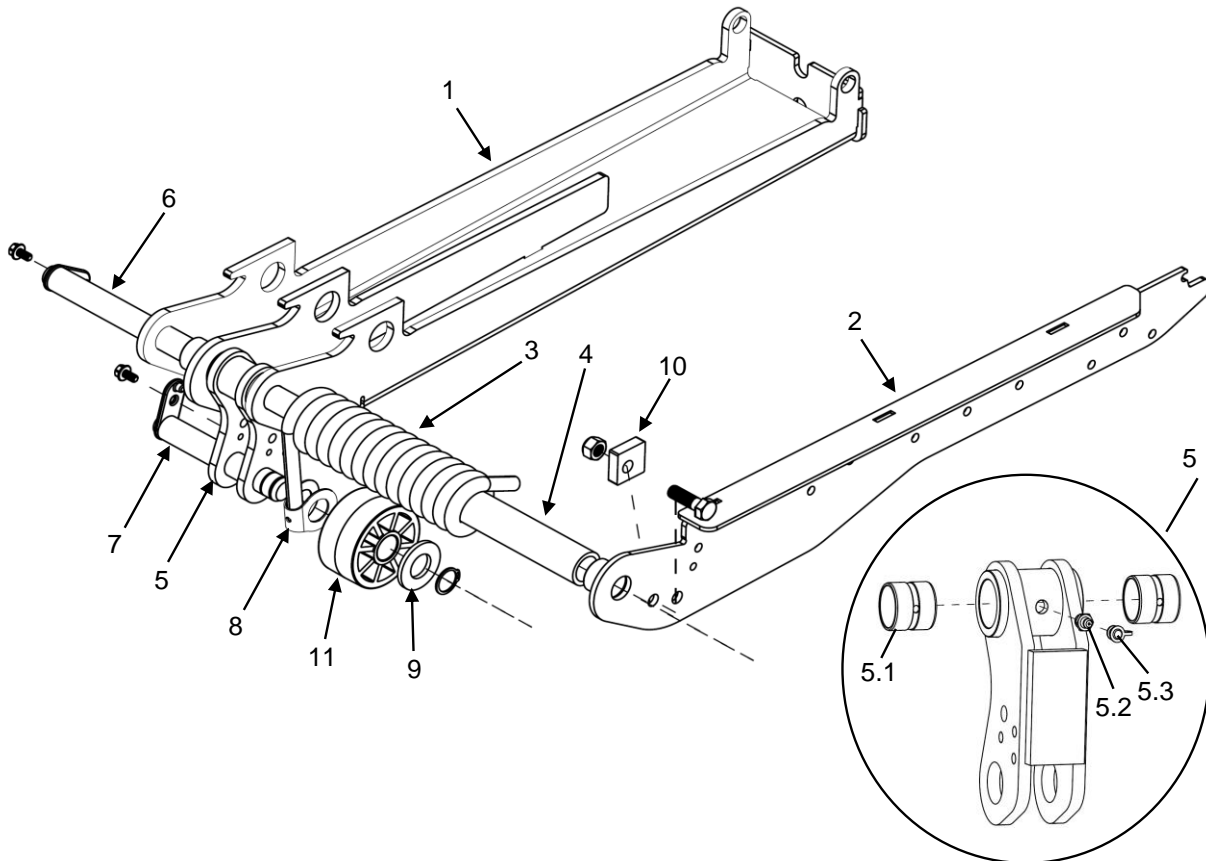
No.	Description	Part no.
1	Main platform, aluminum, complete	21-1009-000
2	Side cover, drivers side	21-1009-400
	Side cover, curb side	21-1009-300
3	Socket head cap screw, M10 - 1.5 x 40 mm	1030086
4	Pin, platform hinge	P-67264894
5	Plate, platform hinge	20-1007-101
6	Split pin, platform hinge	1421757
7	Hex head cap screw, M14 - 1.5 x 45 mm	4000414
8	Plate, adjustment for torsion spring	60-1007-301
9	Nut, flange, M14 - 1.5	4000291
10	Ring nut, M10 - 1.5	4000297
11	Washer, split lock, M10	1072121
12	Hex head cap screw, M10 - 1.5 x 25 mm	4000299
13	Hex head cap screw, 5/16 - 18 x 3.25"	1030122
14	Nut, nylock, 5/16 - 18	1061123
15	Plate, platform handle	20-1012-001
16	Button head cap screw, 3/8 - 16 x 0.75"	ES3460
17	Nut, thin, nylock, 3/8 - 16	EM709
18	Washer, flat, 3/8	EK3216



## ILT PLATFORM

### Assembly of tunnel, platform pin and coil spring

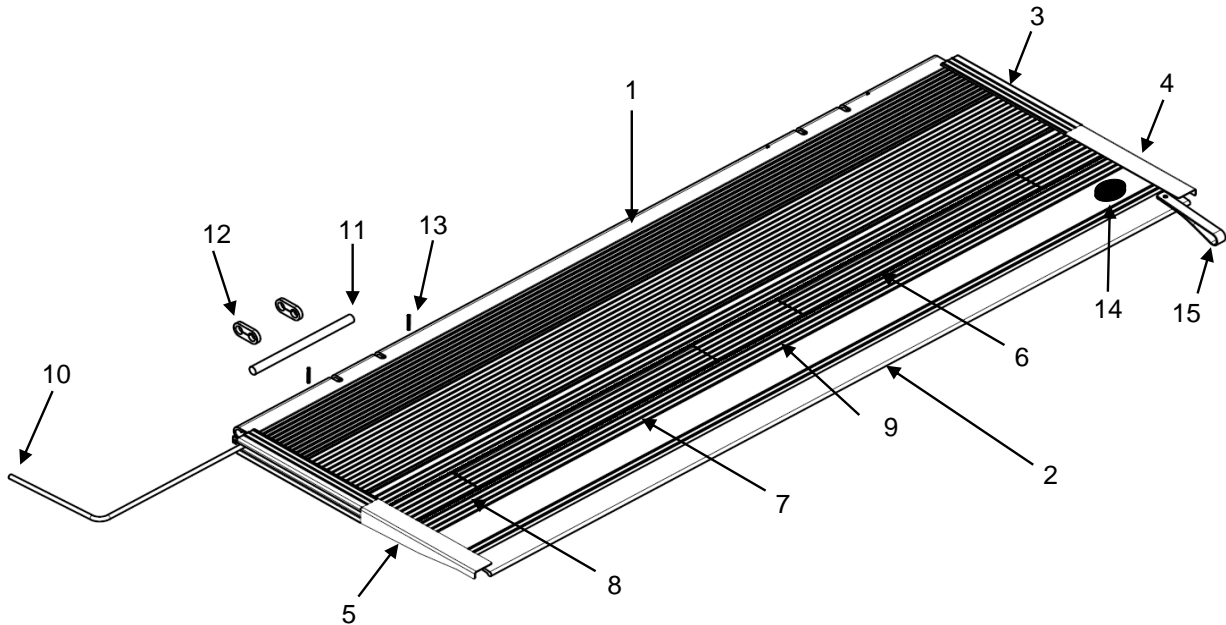
Picture showing drivers side assembly w/ plastic wheel



No.	Description	Part no.
1	Tunnel, drivers side	21-1009-110
	Tunnel, curb side	21-1009-120
2	Side cover, drivers side	21-1009-400
	Side cover, curb side	21-1009-300
3	Coil spring, drivers side	P-2014617
	Coil spring, curb side	P-2014616
4	Tube, plastic, for spring coil	P-1228526
5	Shakle assembly	25-1009-200
5.1	Bushing, for shakle	P-1403367
5.2	Grease zerk, for shakle	P-69064337
5.3	Cap, for greas zerk	P-1191680
6	Pin, platform, w/ hardware	P-1353966
7	Pin, shakle, w/ plastic wheel and hardware*	P-1405023
8	Retainer, for spring coil fixation	60-1012-001
9	Washer, for wheel assembly	P-67244770
10	Adjustment plate, for spring coil, w/ hardware	60-1007-301A
11	Wheel, plastic, w/o hardware, <i>not need pin (no. 7) is purchased</i>	P-1115195
	Wheel, metal, w/o hardware, <i>needed if walk ramp is installed</i>	P-2014620

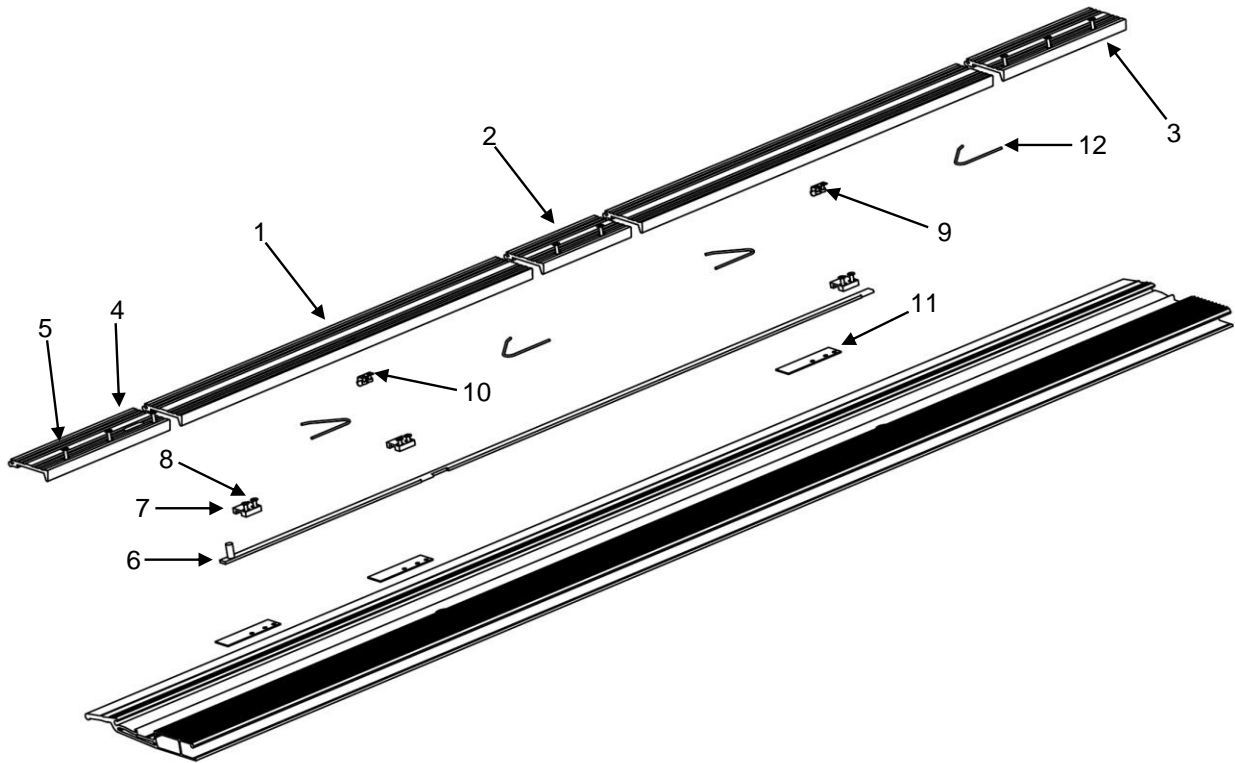
\*: *metal wheel is needed if a walk ramp is installed (see no. 11)*

**ILT PLATFORM TIP**



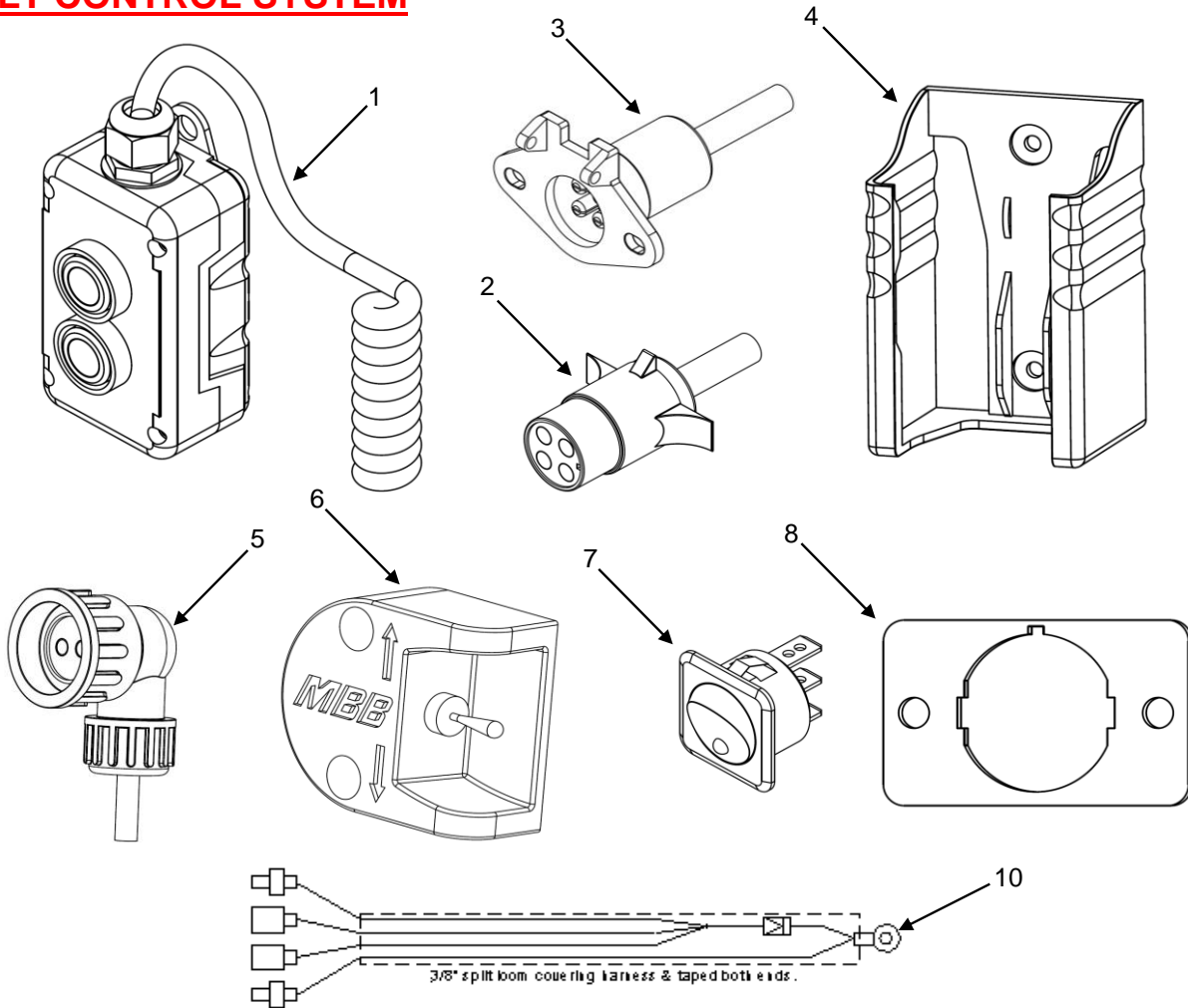
No.	Description	Part no.
1	Platform tip, w/ cartstops	P-2034858
	Platform tip, w/o cartstops	P-2033962
2	Tip section w/ cartstops	P-2024959
3	Side profile tip section - <i>cut to required length</i>	P-1408521
4	Aluminum cap tip - <i>curb side</i>	P-1408523
5	Aluminum cap tip - <i>driver side - w/ cartstops</i>	P-1408524
6	Cartstop lid - <i>curb side</i>	P-2000249
7	Cartstop lid - <i>driver side</i>	P-2000250
8	Side fill in - ( <i>one for curb and one for driver side needed</i> )	P-2006651
9	Center fill in	P-2000267
10	Torsion bar	P-2006410
11	Platform pin	P-67264894
12	Hinge plate	20-1007-101
13	Split pin	1421757
14	Rubber snubber pad	P-71042936
15	Handle strap	20-1210-003A

**ILT CARTSTOPS**



No.	Description	Part no.
1	Cartstop profile	P-1406251
2	Center fill in profile	P-2003302
3	Side fill in profile, driver side	P-2003303
4	Side fill in profile, curb side	P-2003301
5	Flat head cap screw, M6 - 1.0 x 25 mm	ES3539
6	Interlock latch	P-1406248
7	Guide	P-2004637
8	Flat head cap screw, M6 - 1.0 x 16 mm	ES3540
9	Clip, hold down	P-1406249
10	Socket head cap screw, M5 - 0.8 x 8 mm	ES3542
11	Support, for latch rod	P-1406245
12	Spring	P-1408661

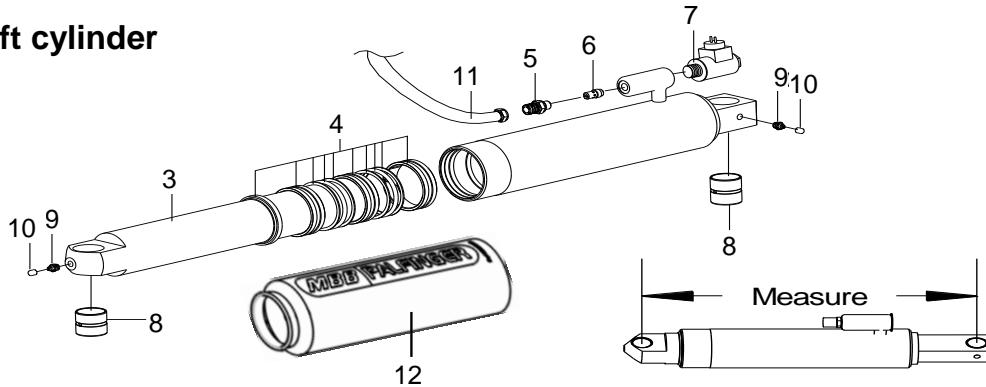
**ILT CONTROL SYSTEM**



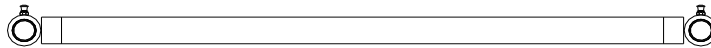
No.	Description	Part no.
1.1	2 Button hand control with coil <i>(shown in picture)</i>	P-72916816
1.2	2 Button hand control with coil and 4way plug	P-72916816P
1.3	2 Button hand control with coil and 7way plug	P-1300135
2.1	Plug, 4 way <i>(shown in picture)</i>	3-00010
2.2	Plug, hella, 7 way	P-1237109
3.1	Socket, 4 way <i>(shown in picture; missing socket lid)</i>	3-00011
3.2	Socket, hella, 7 way w/ seal	P-1299912A
4	Holster for hand control	1-00050
5	Cable for solenoid valve	P-67254198
6	Toggle switch	P-2004565
7	Cab on/off switch	70-1012-002
8	Bracket	70-1012-001
9	Kit, cab on/off switch, incl. switch and wire <i>(not shown above)</i>	70-0312-100
10	Power down harness	70-1011-100

## ILT CYLINDER AND COMPONENTS Gravity Down

### No.1 Lift cylinder



### No.2 Parallel arm

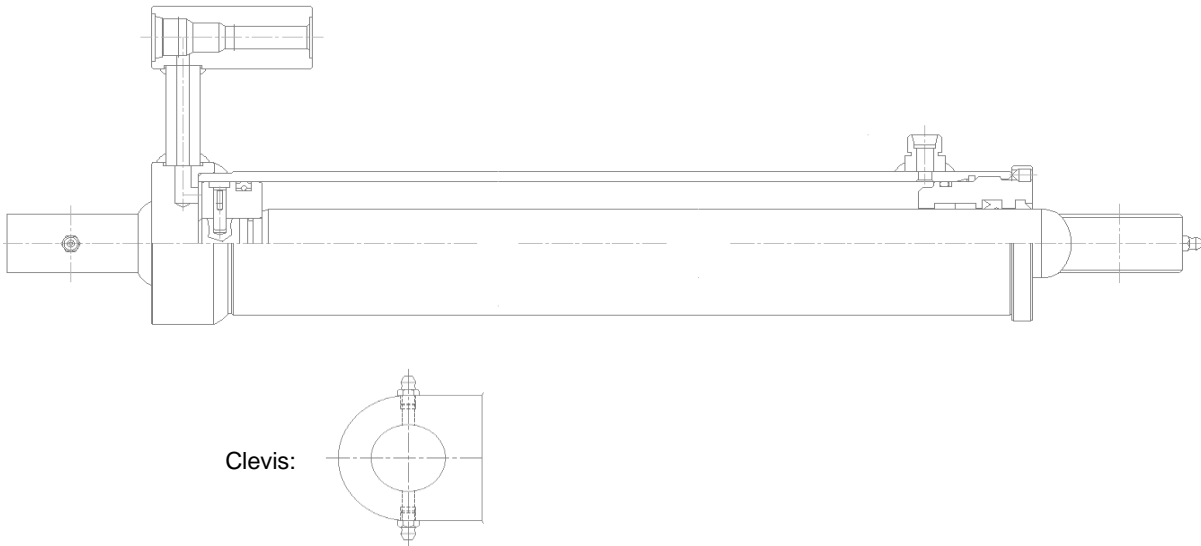


No.	Description	Part no.
	<i>Piston rod diameter- lift cylinder</i>	<b>63mm (2 1/2")</b>
	<i>compressed length - lift cylinder</i>	<b>498mm (19 1/2")</b>
1	Lift cylinder <i>without release valve</i> 63.28.498	P-2016765
2	Parallel arm - 900mm (35 1/2")	15-1007-100
3	Piston rod	P-2034342
4	Rebuild kit	P-1407784
5	Adaptor / hose fitting, 10L-M to no. 4	P-1188263
6	Restrictor no. 4	P-1363828
7	Release valve, 12V, single lock	P-67282345
8	Bushing 32 / 28 x 31 (OD / ID x length, in mm)	P-1403367
9	Grease zerk	P-2019653
10	Red cap	P-1191680
11	Hydraulic hose, 10L-F x 1400mm	P-2021335
12	Sleeve	P-1097838
13	Clamp 50 - 70 / 9 (in mm) <i>not shown in picture above</i>	P-68430828

**ILT CYLINDER AND COMPONENTS Power Down**

ENERGY MFG

**No. 1 Lift Cylinder**

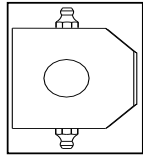
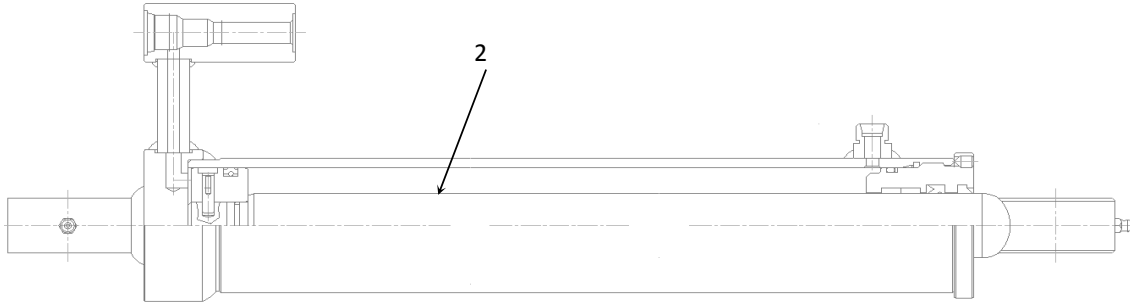


No.	Description	
	<i>Piston rod diameter- lift cylinder</i>	35mm (1.375")
	<i>compressed length - lift cylinder</i>	312mm (12.25")
1	Cylinder	40-1411-100
3	Seal Kit	40-1411-110

**ILT CYLINDER AND COMPONENTS Power Down**

MBB Germany

**No. 1 Lift Cylinder**



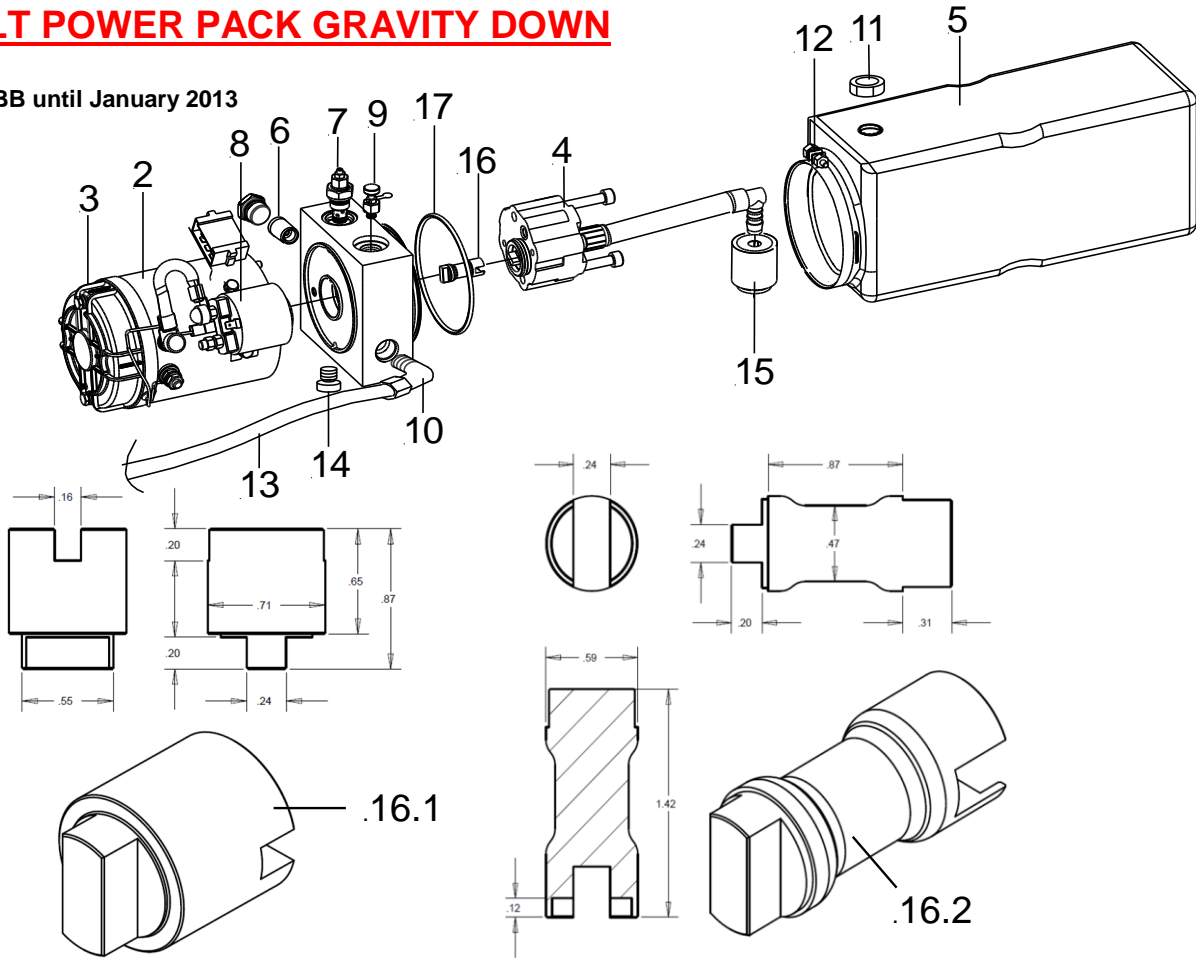
Clevis:

No.	Description	
	<i>Piston rod diameter- lift cylinder</i>	35mm (1.375")
	<i>compressed length - lift cylinder</i>	310mm(12.21")
1	Cylinder	P-2022849
2	Rod (35mm)	P-2027554
3	Seal Kit	P-2027556



**ILT POWER PACK GRAVITY DOWN**

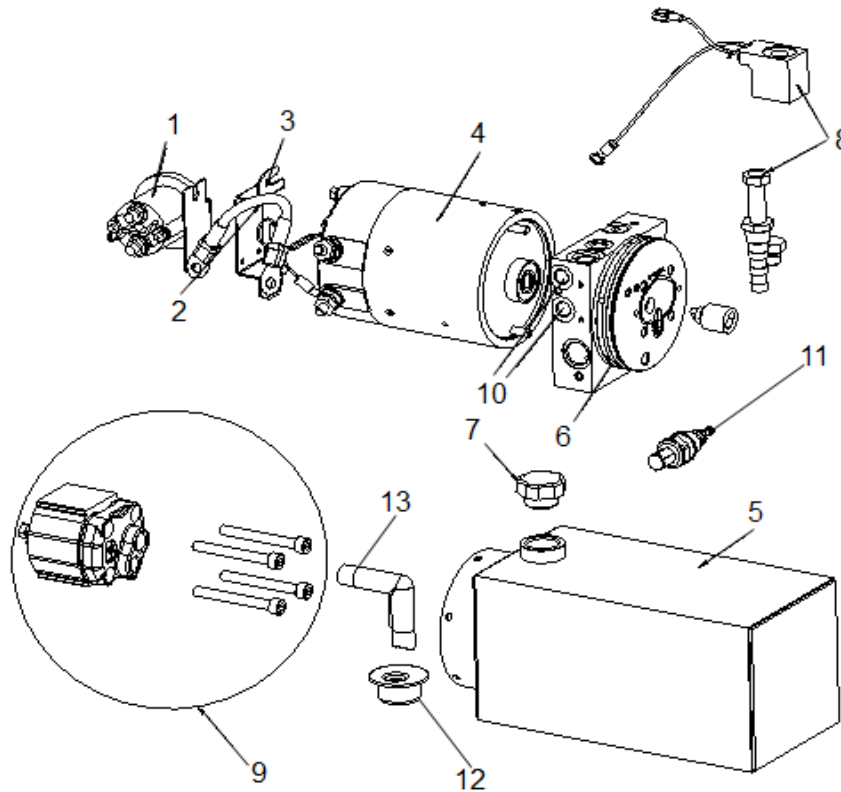
MBB until January 2013



No.	Description	Part no.
1	Power pack	P-2020859
2	Motor 12 Volt	P-2020866
3.1	Carbon brushes kit (4 pieces) - since 2001	P-1410330
3.2	Carbon brushes kit (4 pieces) - till 2001	P-1407399
4	Pump incl. coupler, pipe, filter	P-2020618
5	Oil reservoir	P-1404306
6	Shuttle valve	P-2005141
7	Pressure control valve	P-1404297
8	Motor solenoid	P-1404303
9	Pressure gauge	P-1405397
10	Fitting - 90° Elbow	P-1000180
11	Breather cap	P-1404487
12	Clamp kit for oil reservoir	P-1404308
13	Hydraulic hose	P-2004473
14	Drain plug	P-66373088
15	Pump filter	P-2018681
16.1	Coupler 3/4" x 7/8" (18mmx23mm) - early style	P-1406291
16.2	Coupler 3/4" x 1-3/8" (18mmx34mm) - new style	P-2020617
17	Sealing ring	P-2009743

**ILT POWER PACK POWER DOWN**

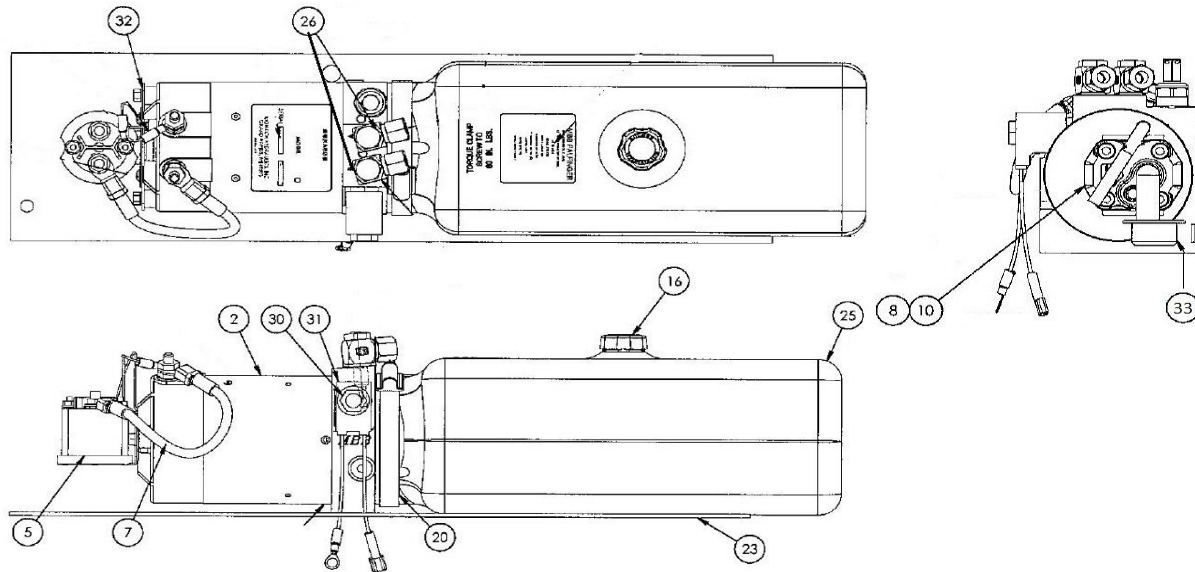
Until January 2013



No.	Description	Part no.
	Power Pack	80-1411-100
1	Solenoid	80-1411-102
2	Cable insulated	50-0709-919
3	Bracket, mount solenoid	50-0709-912
4	Motor	80-1411-101
5	Reservoir, steel, 3 liter	80-1411-911
6	O-Ring	50-0709-913
7	Breather Cap	50-0709-914
8	Cartridge, 4-way w/ coil	80-1411-920
9	Pump, pressure balanced, 1.7	80-1411-917
10	Banjo fitting	P-1000180
11	Valve relief	50-1414-009
12	Filter, suction	50-1414-011
13	Tube, suction	50-1414-010

## ILT POWER PACK POWER DOWN

January 2013

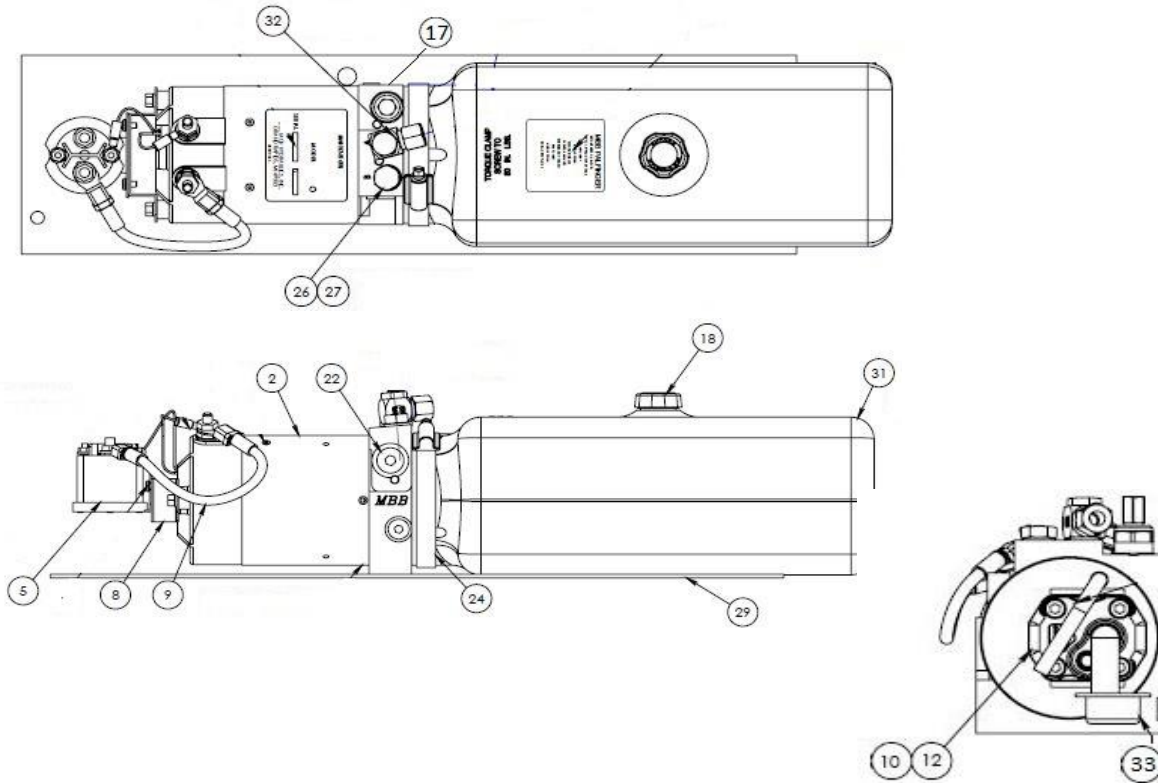


### POWER DOWN

No.	Description	Part no.
	Power Pack	50-1412-950
2	Motor	80-1411-101
5	Solenoid	80-1411-102
7	Cable insulated	50-0709-919
8	Pump, presure balanced, 1.7	80-1411-917
10	O-Ring, shaped rear cover	50-0709-913
16	Breather cap	50-0709-914
20	Clamp	50-0313-954
23	Mounting Plate	50-0709-916
25	Reservoir, plastic	50-0313-958
26	Banjo fitting	50-0313-955
30	Cartridge, 4-way w/ coil	80-1411-920
32	Bracket motor solenoid	50-0313-956
33	Filter, screen	50-0709-924

## ILT POWER PACK GRAVITY DOWN

January 2013

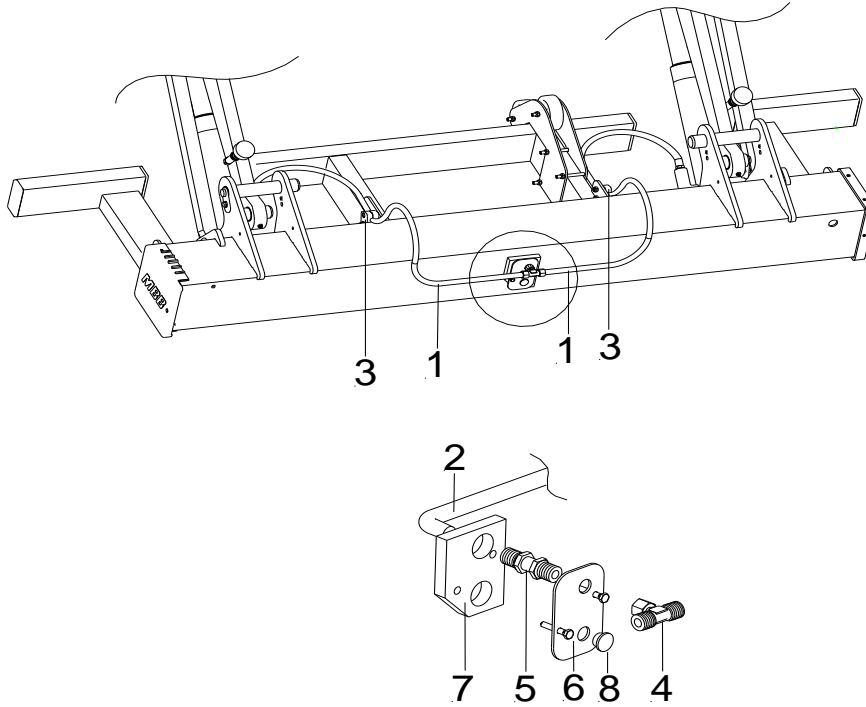


### POWER DOWN

No.	Description	Part no.
	Power Pack	50-1012-950
2	Motor	80-1411-101
5	Solenoid	80-1411-102
8	Bracket motor solenoid	50-0709-912
9	Cable insulated	50-0709-919
10	Pump	80-1411-917
12	O-Ring, shaped rear cover	50-0709-913
17	Valve check pilot	50-0709-920
18	Breather cap	50-0709-914
22	Plug, SAE O-Ring	50-0709-921
24	Clamp	50-0313-954
26	Fitting Plug	50-0709-922
27	Seal, Washer	50-0709-923
29	Mounting plate	50-0709-916
31	Reservoir, plastic	50-0313-958
32	Banjo fitting	50-0313-955
33	Filter, screen	50-0709-924

**ILT HYDRAULIC PIPE SYSTEM**

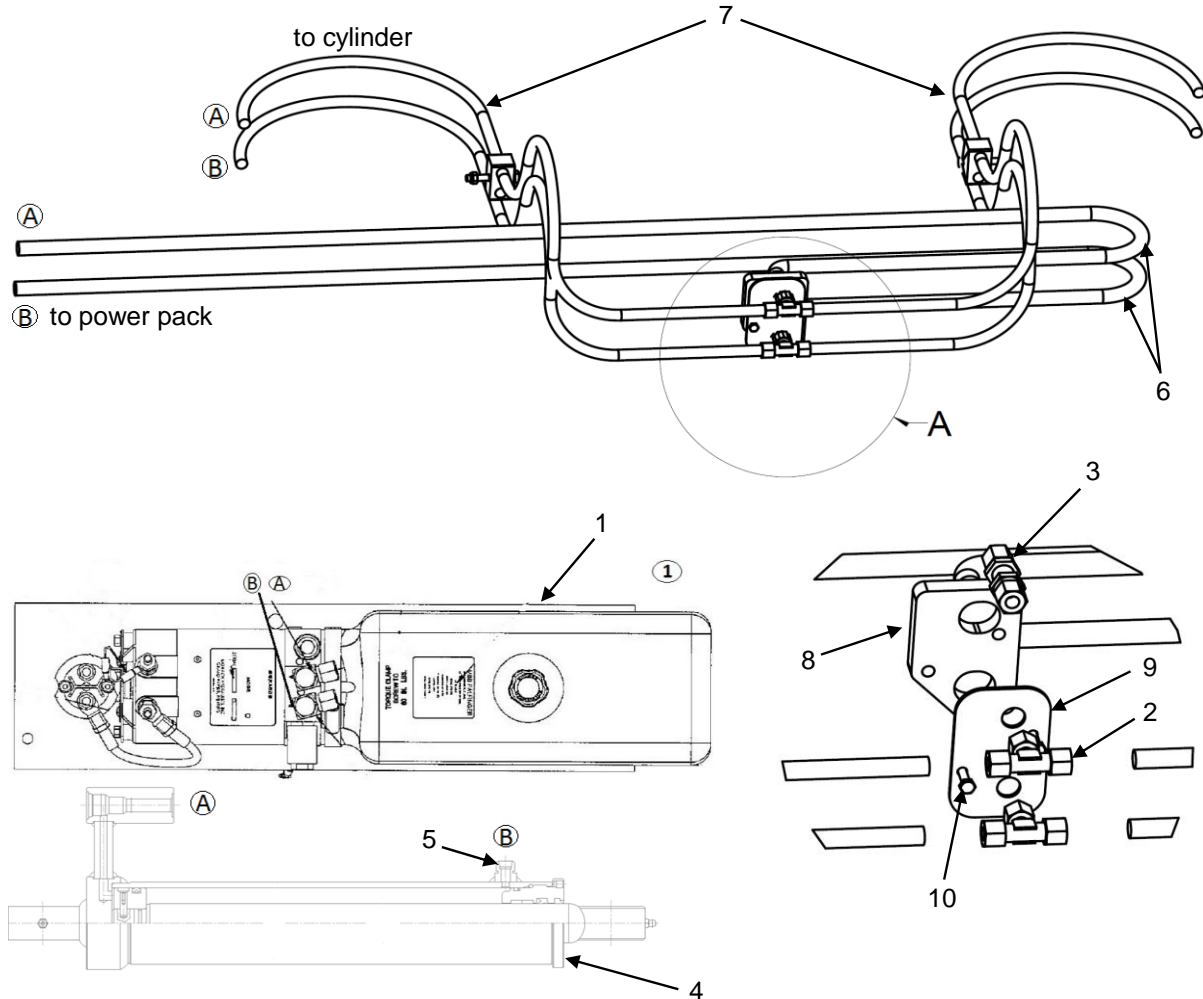
Gravity down



No.	Description	Part no.
1	Hydraulic hose - to cylinder	P-1273114
2	Hydraulic hose - to power pack	P-2021335
3	Green plastic holder	P-2011391
4	Tee- Fitting	P-1232239
5	Bulk head fitting	P-1111057
6	Fitting plate	P-2012920
7	Rubber plate	P-1114049
8	Plastic plug	P-1296920

## ILT HYDRAULIC PIPE SYSTEM

Power down



No.	Description	Part no.
1	Power pack, PD	80-1411-100
2	Tee-fitting, 10L	P-1232239
3	Bulk head fitting, 10L	P-1111057
5	Lift cylinder	40-1411-100
5	Banjo fitting	P-1000180
6	Hose, 10L, 1.4 m length	P-2021335
7	Hose, 10L, 2.0 m length, w/ 90° fitting on one side	P-2021336
8	Rubber plate	P-1114049
9	Fitting plate	P-2012920
10	Hex head cap screw, M6 - 1.0 x 30 mm	ES 429