

PALFINGER



LIFTGATES

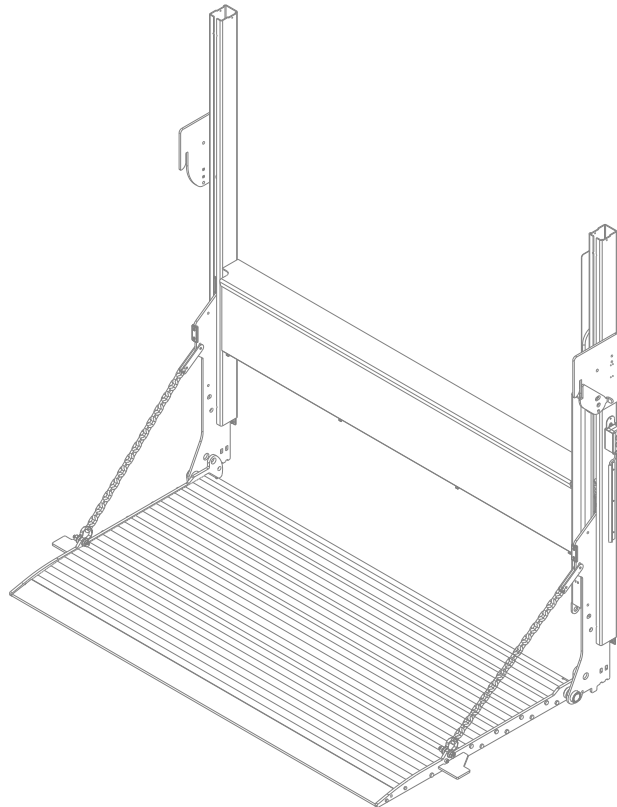
PARTS MANUAL

ILM+ 16, 1600 lbs. Capacity

ILM+ 20, 2000 lbs. Capacity

ILM+ 25, 2500 lbs. Capacity

ILM+ 30, 3000 lbs. Capacity



ILM+ 16/20/25/30 Parts Manual

Document Part Number: 90-0714-000 / 14-690_90-00_00-00

ECN-M1075, Rev. 2.1, 07-28-17

Copyright © 2017 Palfinger Liftgates LLC.

All rights reserved.

Information in this document is subject to change without notice.

Visit www.palfinger.com for up to date information and notifications.

Parts Order

liftgateparts@palfinger.com

Palfinger Liftgates, LLC.

15939 Piuma Ave.

Cerritos, CA 90703

Tel (888) 774-5844

Fax (562) 924-8318

Palfinger Liftgates, LLC.

572 Whitehead Road.

Trenton, NJ 08619

Tel (609) 587-4200

Fax (609) 587-4201

Built to Deliver - Every Time

Parts Orders:

- There is a \$50.00 minimum parts order.
- Ground freight is free for spare parts orders exceeding \$1,500.00, excluding platforms, runners, mount frames and other main assemblies.
- Contact parts department, our hours are from 8 am EST in NJ until 5 pm PST in CA
California: (888) 774-5844, or (562)924-8218, ext. 97, 29 , or 15; Fax: (562) 924-8318.
New Jersey: at (609) 587-4200; Fax: (609) 587-4201.
E-mail orders or inquires for both locations to: liftgateparts@palfinger.com
- Next Day Air shipments must be received by 2:30 pm local time at either location.
- To ensure quick delivery when placing an order, please be sure to include: liftgate model, serial number, part number, and description in accordance with spare Parts List.
- Any parts being returned must have Return Merchandise Authorization (RMA) number, copy of invoice and a detailed packing list of returned parts. RMA numbers will be issued by parts department and are valid for 30 days. All returned RMA parts must be returned to Palfinger Liftgates by prepaid freight or by call tag.
- Parts must be returned in NEW CONDITION. To receive credit on returned parts, the original purchase date must be within 6 month and authorized by Palfinger Liftgates.
- Returned parts are subject to a 20% restocking charge.
- Any part recieved not in new condition will be subject to inspection and possible refusal. All Palfinger Liftgates parts are covered for one year from date of purchase against defects in material and workmanship.
- **Warranty coverage: part replacement only**

Built to Deliver - Every Time

Table of Contents

1 **Frame 6**

2 **Cover Doors 8**

3 **Steel Platform with Fixed Ramp 10**

4 **Steel Platform with Aluminum Retention Ramp (ARR) 12**

5 **Steel Platform – Bar Grate 14**

6 **Aluminum Platform with Fixed Ramp..... 16**

7 **Split Aluminum Platform with Folding Tip..... 18**

8 **Aluminum Platform with Aluminum Retention Ramp (ARR) 20**

9 **Aluminum Retention Ramps (ARR)..... 22**

10 **Cart Stops - Aluminum Platforms..... 24**

11 **Runner..... 25**

12 **Chain Routing – Standard ILM+..... 26**

13 **Chain Routing – Above Floor ILM+ 27**

14 **Gas Shocks 28**

15 **Cylinder 29**

16 **Open-Close Cylinder 30**

17 **Sprockets 32**

18 **Sprocket Kits 34**

19 **Hydraulic Power Unit – ILM+..... 35**

20 **Battery Box Kits..... 36**

21 **Trailer/Truck Charge Kits..... 38**

22 **Controls..... 40**

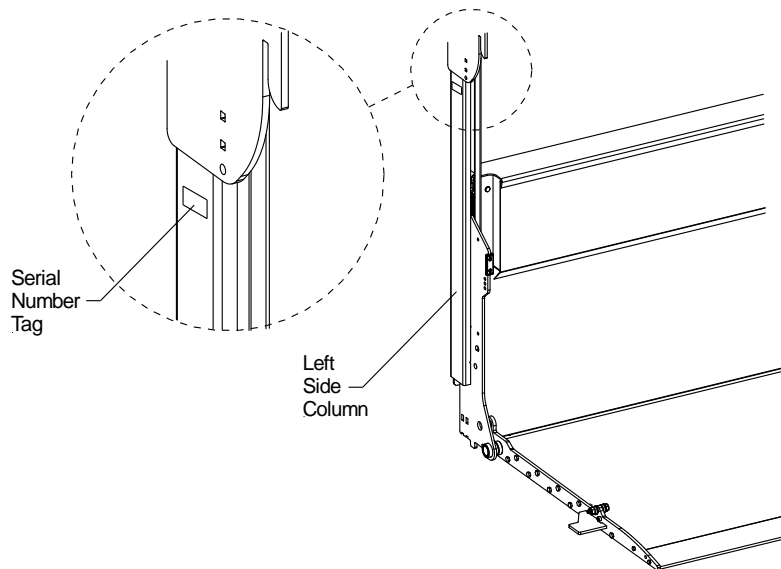
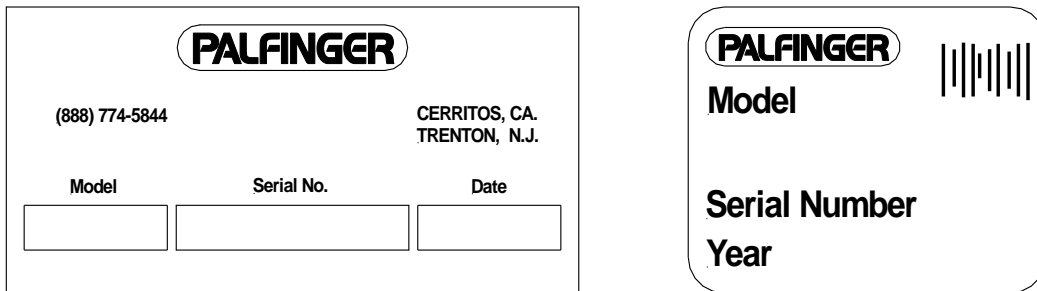
23 **Decals..... 42**

Built to Deliver - Every Time

Important Liftgate Information:

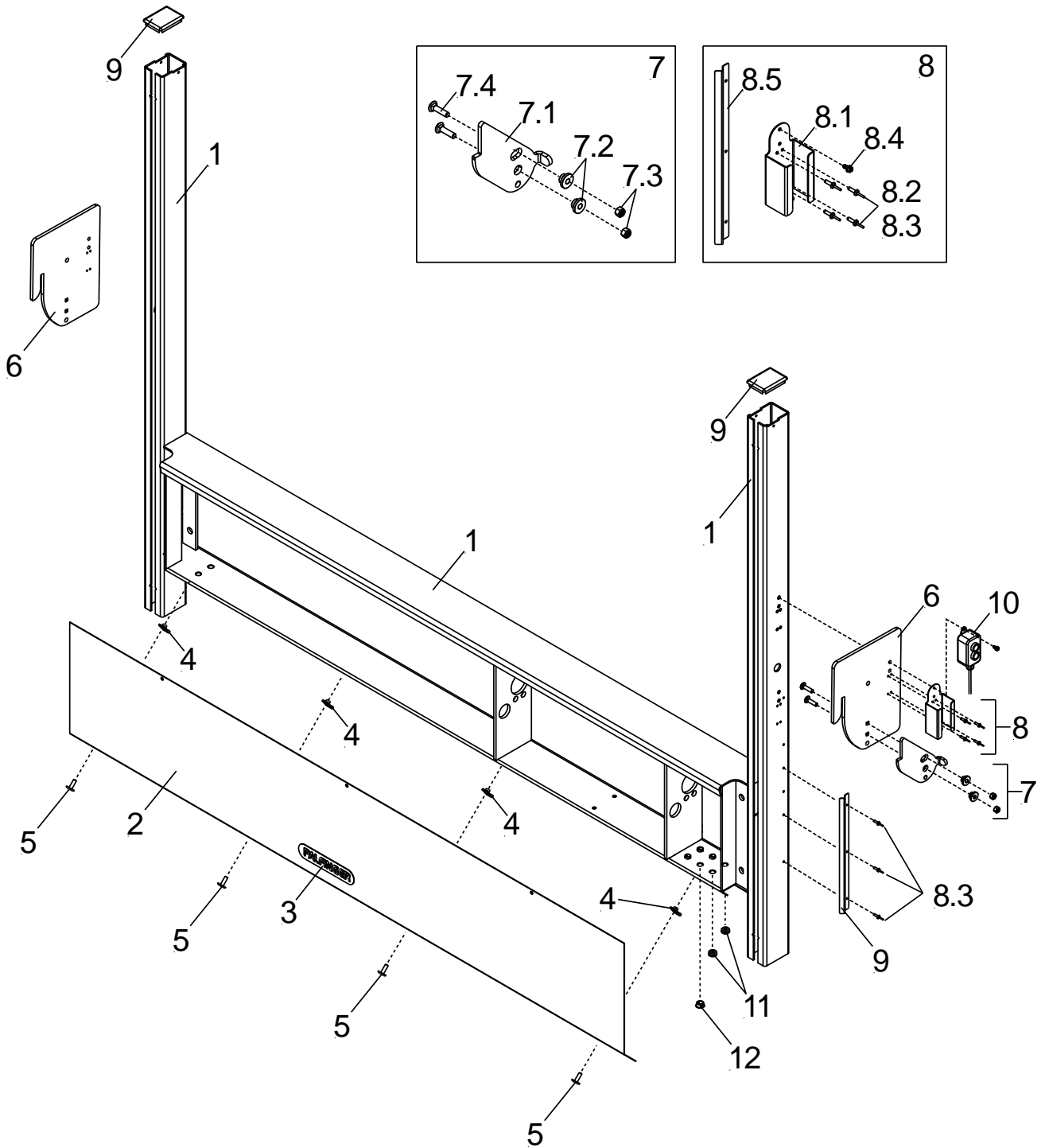
1. Liftgate serial information can be found on the left column on the liftgate in the vicinity shown below. Please have the liftgate information ready when ordering parts to assure parts are replaced accurately.
2. The finish for many parts differs from liftgate to liftgate. It is important to specify what type of finish the replacement part(s) has. Palfinger Liftgates uses galvanized, galvanealed, power coat, paint, and zinc coated components on the different models of liftgates. If not sure what finish is on the part(s), mention this to the Parts Department Representative.

Serial Number Tags



Built to Deliver - Every Time

1 Frame



Palfinger Liftgates, LLC.
15939 Piuma Ave, Cerritos, CA 90703
Tel: (888) 774-5844, Fax: (562) 924-8318

Palfinger Liftgates, LLC.
572 Whitehead Road, Trenton, NJ 08619
Tel: (609) 587-4200, Fax: (609) 587-4201

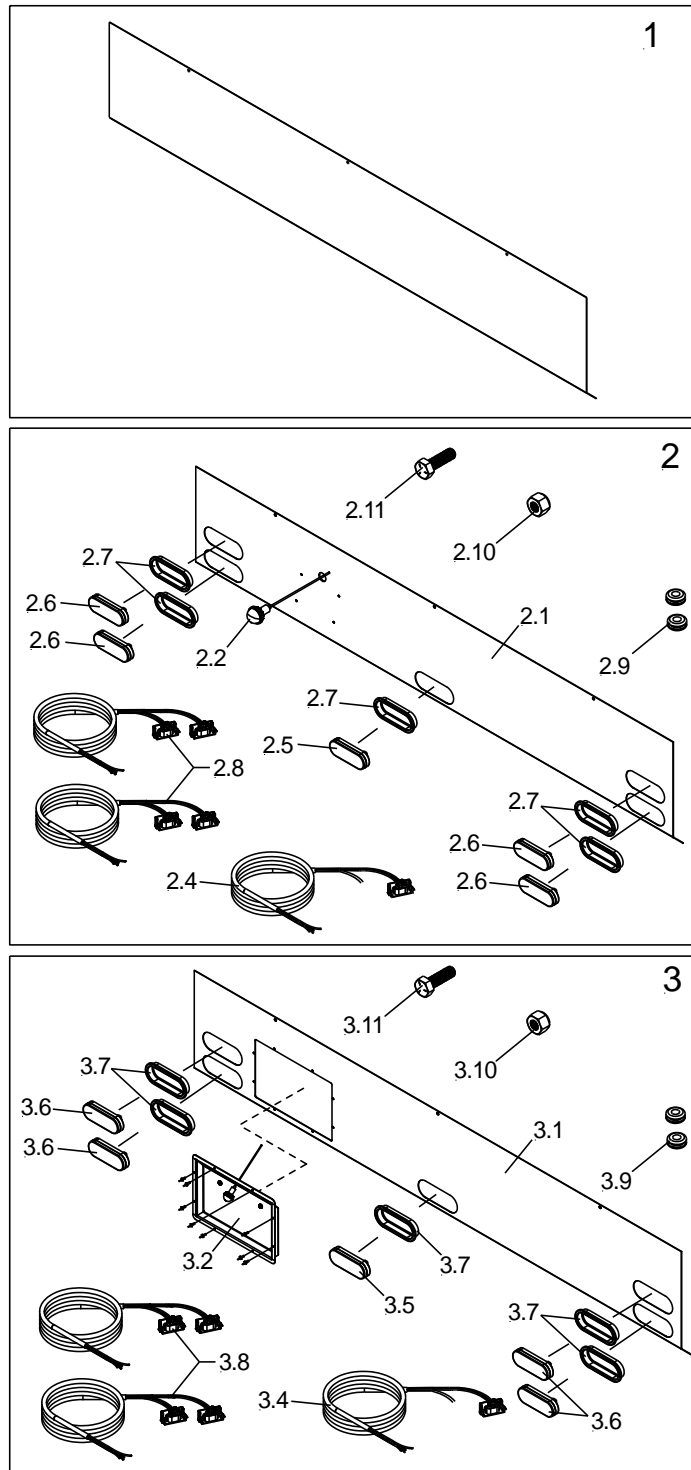
Built to Deliver - Every Time

1 - FRAME			
NO.	DESCRIPTION	PART NO.	QTY.
1	H-FRAME, ASSEMBLY, WELD, 86"W X 84"H	02-0709-105	1
	H-FRAME, ASSEMBLY, WELD, 86"W X 75"H	02-0709-112	1
	H-FRAME, ASSEMBLY, WELD, 86"W X 62.50"H	02-0709-117	1
	H-FRAME, ASSEMBLY, WELD, 88"W X 84"H	02-0709-106	1
	H-FRAME, ASSEMBLY, WELD, 88"W X 75"H	02-0709-115	1
	H-FRAME, ASSEMBLY, WELD, 94"W X 84"H	02-0709-100	1
	H-FRAME, ASSEMBLY, WELD, 94"W X 75"H	02-0709-102	1
	H-FRAME, ASSEMBLY, WELD, 100"W X 84"H	02-0709-101	1
	H-FRAME, ASSEMBLY, WELD, 100"W X 75"H	02-0714-000	1
2	COVER DOOR (SEE SECTION 2)	--	1
3	NAMEPLATE, PALFINGER (HORIZONTAL)	1263361	1
4	NUT, CLIP ON 1/4-20	EM 726	4
5	SCREW, BUTTON HEAD, 1/4-20X0.50" ZINC	ES3513	4
6	STORAGE PLATE	04-0709-007	2
7	KIT, STORAGE SAFETY LATCH	60-0714-010	1
7.1	LATCH STORAGE SAFETY	04-0709-008	1
7.2	BUSHING	23-0709-008	2
7.3	NUT, NYLOCK, 3/8-16, GR.2, ZINC	EM-695	2
7.4	BOLT,CARRIAGE 3/8-16X1.5" GR.5 ZINC	ES3525	2
8	KIT, HOLSTER & WIRE GUARD WITH HARDWARE	75-0716-001	1
8.1	HOLSTER, ILM HEAVY DUTY	70-0709-006	1
8.2	RIVET, 3/16X 0.875"	EK3239	4
8.3	RIVET, 3/16X 0.45"	EK3240	7
8.4	HEX HEAD CAP SCREW,1/4-20X1/2", THREAD CUTTING, ZINC	ES3512	1
8.5	PLATE, COVER, REMOTE CABLE	70-0709-005	1
9	CAP, COLUMN, PLASTIC	1475511	2
10	3-BUTTON MAIN, OUTSIDE CONTROL, STRAIGHT CORD, YELLOW	70-0709-901	1
	2-BUTTON MAIN, OUTSIDE CONTROL, STRAIGHT CORD, YELLOW	70-0709-902	1
11	GROMMER, 3/8", RUBBER	EK3401	2
12	PLUG, 11/16", PLASTIC, BLACK	1475512	4

H-FRAME MATCHING TABLE	
WIDTH OF TRUCK	WIDTH OF LIFTGATE
88" WIDE	86" WIDE
90" WIDE	88" WIDE
96" WIDE	94" WIDE
102" WIDE	100" WIDE

Built to Deliver - Every Time

2 Cover Doors



Palfinger Liftgates, LLC.
15939 Piuma Ave, Cerritos, CA 90703
Tel: (888) 774-5844, Fax: (562) 924-8318

Palfinger Liftgates, LLC.
572 Whitehead Road, Trenton, NJ 08619
Tel: (609) 587-4200, Fax: (609) 587-4201

Built to Deliver - Every Time

2 - COVER DOORS			
NO.	DESCRIPTION	PART NO.	QTY.
1	COVER DOOR, NO LIGHT CUT OUTS, 78" WIDE DOOR (FOR 90"W VEHICLE)	00-0709-026	1
	COVER DOOR, NO LIGHT CUT OUTS, 84" WIDE DOOR (FOR 96"W VEHICLE)	04-0709-009	1
	COVER DOOR, NO LIGHT CUT OUTS, 90" WIDE DOOR (FOR 102"W VEHICLE)	00-0709-018	1
2	KIT, COVER DOOR, W/ LIGHT KIT, 78" WIDE DOOR	70-0709-929	1
	KIT, COVER DOOR, W/ LIGHT KIT, 84" WIDE DOOR	70-0709-921	1
	KIT, COVER DOOR, W/ LIGHT KIT, 90" WIDE DOOR	70-0709-923	1
2.1	COVER DOOR, 5-LIGHTS CUT OUT, 78"W (FOR 90"W VEHICLE)	00-0709-027	1
	COVER DOOR, 5-LIGHTS CUT OUT, 84"W (FOR 96"W VEHICLE)	00-0709-019	1
	COVER DOOR, 5-LIGHTS CUT OUT, 90"W (FOR 102"W VEHICLE)	00-0709-020	1
2.2	LAMP, LICENSE PLATE	60-1414-002	1
2.3	WIRING DRAWING - DOMESTIC & IMPORT	70-0709-915	1
2.4	HARNESS, ILM BACKUP LIGHT	70-0713-000	1
2.5	LIGHT-LED WHITE-BACK UP	70-0714-001	1
2.6	LIGHT-LED RED TAIL/STOP	70-0714-002	4
2.7	GROMMET, LIGHT, RUBBER	70-0714-003	5
2.8	HARNESS, WIRE	70-0714-004	2
2.9	GROMMET, WIRE, RUBBER	EK3196	2
2.10	NUT, NYLOCK, 1/4-20, GR.5, ZINC	EM-713	4
2.11	HEX HEAD CAP SCREW, 1/4-20X1.0", GR.5, ZINC	ES3443	4
3	KIT, COVER DOOR, W/ LIGHT KIT, LICENSE PLATE, 84" WIDE DOOR	60-0714-003	1
	KIT, COVER DOOR, W/ LIGHT KIT, LICENSE PLATE, 90" WIDE DOOR	60-0714-004	1
3.1	COVER DOOR, 5-LIGHTS CUT OUT, 84"W (FOR 96"W VEHICLE)	60-0714-000	1
	COVER DOOR, 5-LIGHTS CUT OUT, 90"W (FOR 102"W VEHICLE)	60-0714-002	1
3.2	KIT, LICENSE PLATE BRACKET	65-7514-021	1
3.3	WIRING DRAWING - DOMESTIC & IMPORT	70-0709-915	1
3.4	HARNESS, ILM BACKUP LIGHT	70-0713-000	1
3.5	LIGHT-LED WHITE-BACK UP	70-0714-001	1
3.6	LIGHT-LED RED TAIL/STOP	70-0714-002	4
3.7	GROMMET, LIGHT, RUBBER	70-0714-003	5
3.8	HARNESS, WIRE	70-0714-004	2
3.9	GROMMET, WIRE, RUBBER	EK3196	2
3.10	NUT, NYLOCK, 1/4-20, GR.5, ZINC	EM-713	4
3.11	HEX HEAD CAP SCREW, 1/4-20X1.0", GR.5, ZINC	ES3443	4

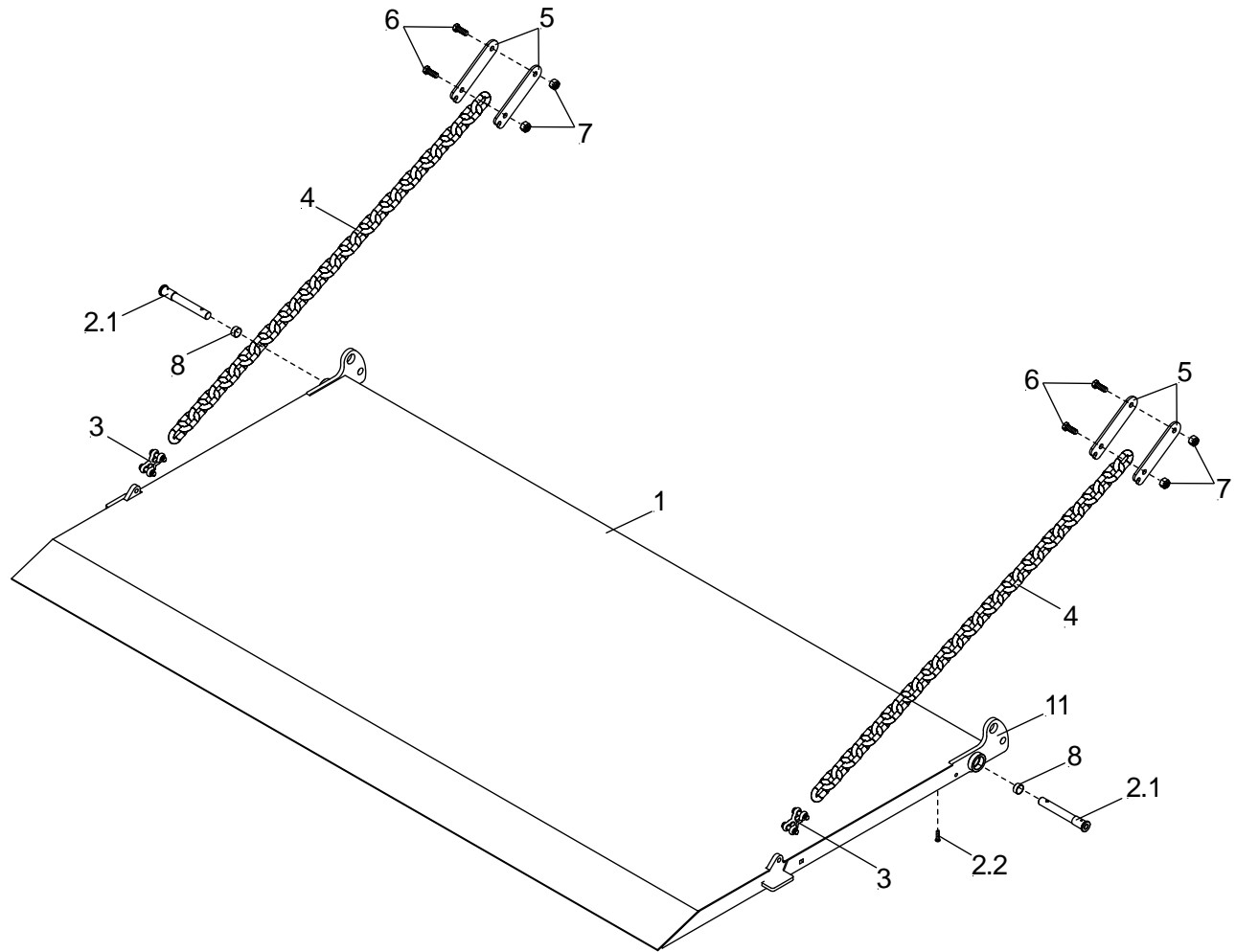
DOOR COVER MATCHING TABLE	
WIDTH OF TRUCK	WIDTH OF DOOR
88" WIDE	76" WIDE
90" WIDE	78" WIDE
96" WIDE	84" WIDE
102" WIDE	90" WIDE

Palfinger Liftgates, LLC.
 15939 Piuma Ave, Cerritos, CA 90703
 Tel: (888) 774-5844, Fax: (562) 924-8318

Palfinger Liftgates, LLC.
 572 Whitehead Road, Trenton, NJ 08619
 Tel: (609) 587-4200, Fax: (609) 587-4201

Built to Deliver - Every Time

3 Steel Platform with Fixed Ramp

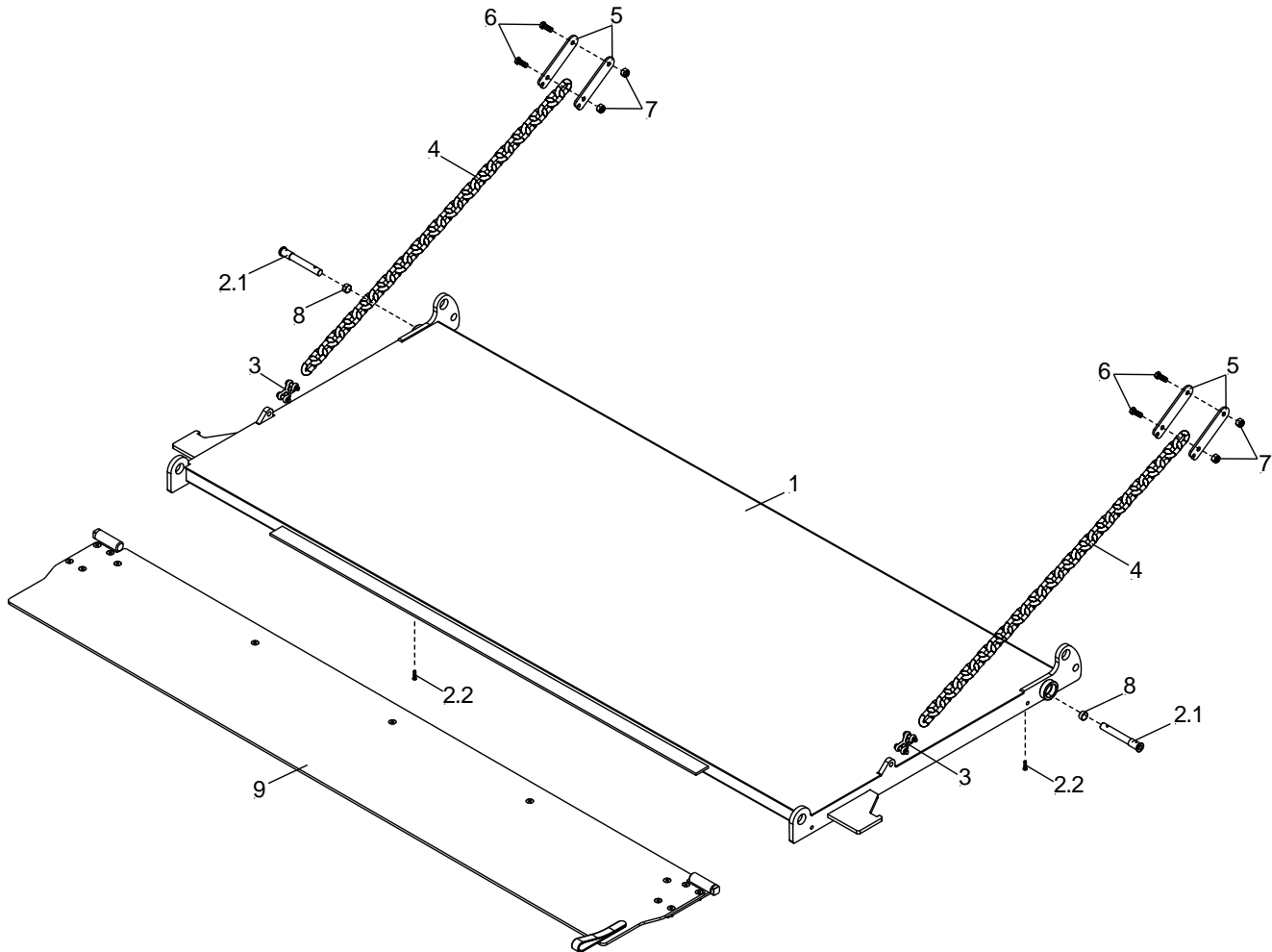


Built to Deliver - Every Time

3 – PLATFORM STEEL			
NO.	DESCRIPTION	PART NO.	QTY.
1	PLATFORM ASSEMBLY, 42" X 80"+6"	20-0709-170	1
	PLATFORM ASSEMBLY, 36" X 88"+6"	20-0709-002	1
	PLATFORM ASSEMBLY, 42" X 88"+6"	20-0709-100	1
	PLATFORM ASSEMBLY, 48" X 88"+6"	20-0709-010	1
	PLATFORM ASSEMBLY, 36" X 94"+6"	20-0709-178	1
	PLATFORM ASSEMBLY, 42" X 94"+6"	20-0709-049	1
	PLATFORM ASSEMBLY, 48" X 94"+6"	20-0709-092	1
2	KIT, DECK PIN AND BOLT	04-0709-011A	1
2.1	PIN, DECK, INCL. GREASE ZERK	04-0709-011	2
2.2	BUTTON HEAD CAP SCREW, 3/8 - 16 X 1.5"	ES3439	2
3	ANCHOR, H, CHAIN	1431026	2
4	CHAIN, SIDE, 3/8" GR.70 (SOLD BY THE FOOT)	45025	2
5	ANCHOR, CHAIR, UPPER, (FOR RUNNER)	04-0709-104	4
6	HEX HEAD CAP SCREW, 3/8"-16 X 1.25"	ES3496	4
7	NUT, NYLOCK, 3/8" - 16	EM 708	4
8	BUSHING, 28MMX 25MM X 14MM	ELG1034	2

Built to Deliver - Every Time

4 Steel Platform with Aluminum Retention Ramp (ARR)

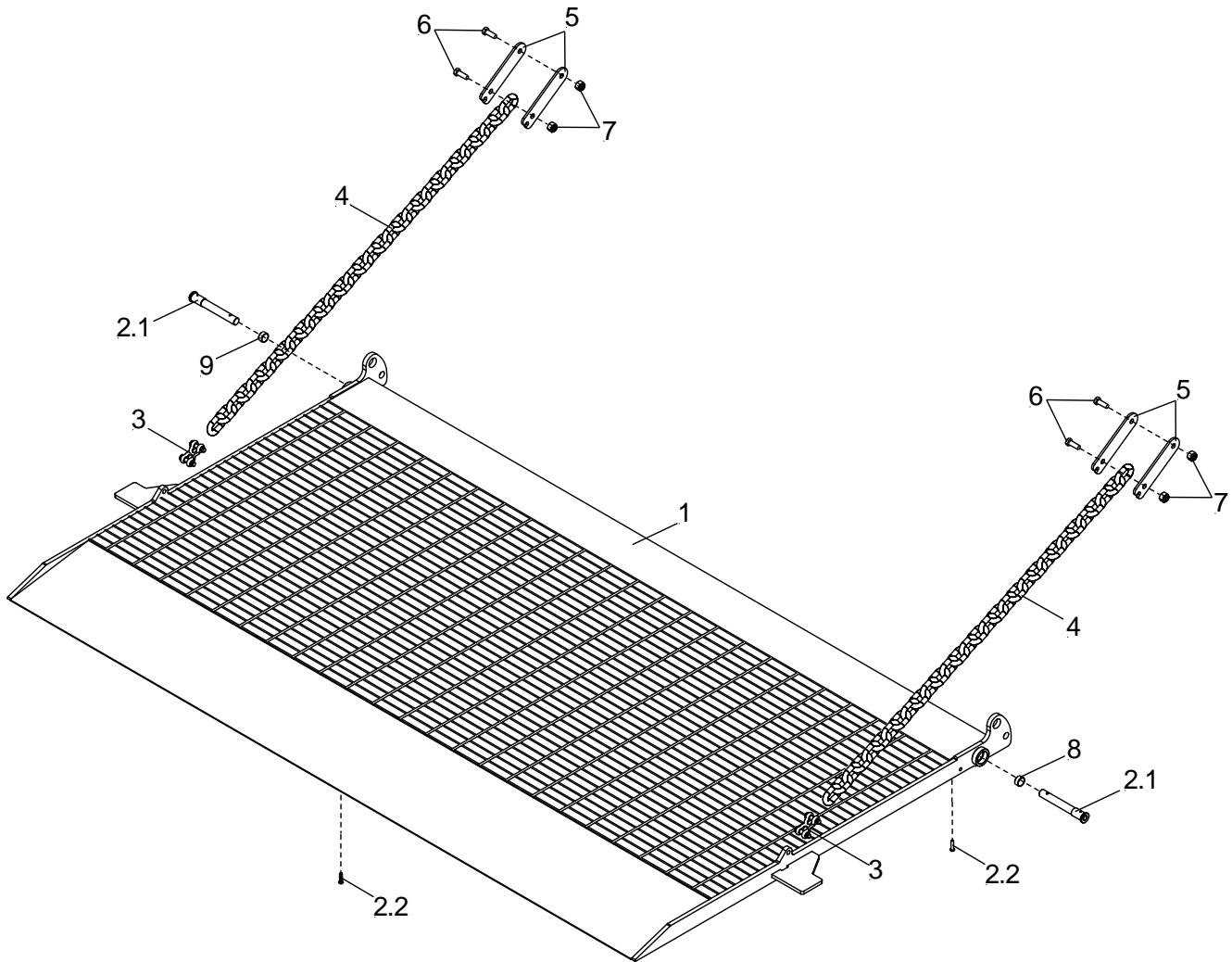


Built to Deliver - Every Time

4 – STEEL PLATFORM WITH ALUMINUM RETENTION RAMP (ARR)			
NO.	DESCRIPTION	PART NO.	QTY.
1	PLATFORM ASSEMBLY, 36" X 88" + ARR	20-0709-097	1
	PLATFORM ASSEMBLY, 42" X 88" + ARR	20-0709-081	1
	PLATFORM ASSEMBLY, 44" X 88" + ARR	20-0709-135	1
	PLATFORM ASSEMBLY, 36" X 94" + ARR	20-0709-196	1
	PLATFORM ASSEMBLY, 42" X 94" + ARR	20-0709-070	1
	PLATFORM ASSEMBLY, 48" X 94" + ARR	20-0709-126	1
2	KIT, DECK PIN AND BOLT	04-0709-011A	1
2.1	PIN, DECK, INCL. GREASE ZERK	04-0709-011	2
2.2	BUTTON HEAD CAP SCREW, 3/8 - 16 X 1.5"	ES3439	2
3	ANCHOR, H, CHAIN	1431026	2
4	CHAIN, SIDE, 3/8" GR.70 (SOLD BY THE FOOT)	45025	2
5	ANCHOR, CHAIR, UPPER, (FOR RUNNER)	04-0709-104	4
6	HEX HEAD CAP SCREW, 3/8"-16 X 1.25"	ES3496	4
7	NUT, NYLOCK, 3/8" - 16	EM-708	4
8	BUSHING, 28MMX 25MM X 14MM	ELG1034	2
9	KIT, ALUMINUM RETENTION RAMP (SEE SECTION 9)	--	1

Built to Deliver - Every Time

5 Steel Platform – Bar Grate



Palfinger Liftgates, LLC.
15939 Piuma Ave, Cerritos, CA 90703
Tel: (888) 774-5844, Fax: (562) 924-8318

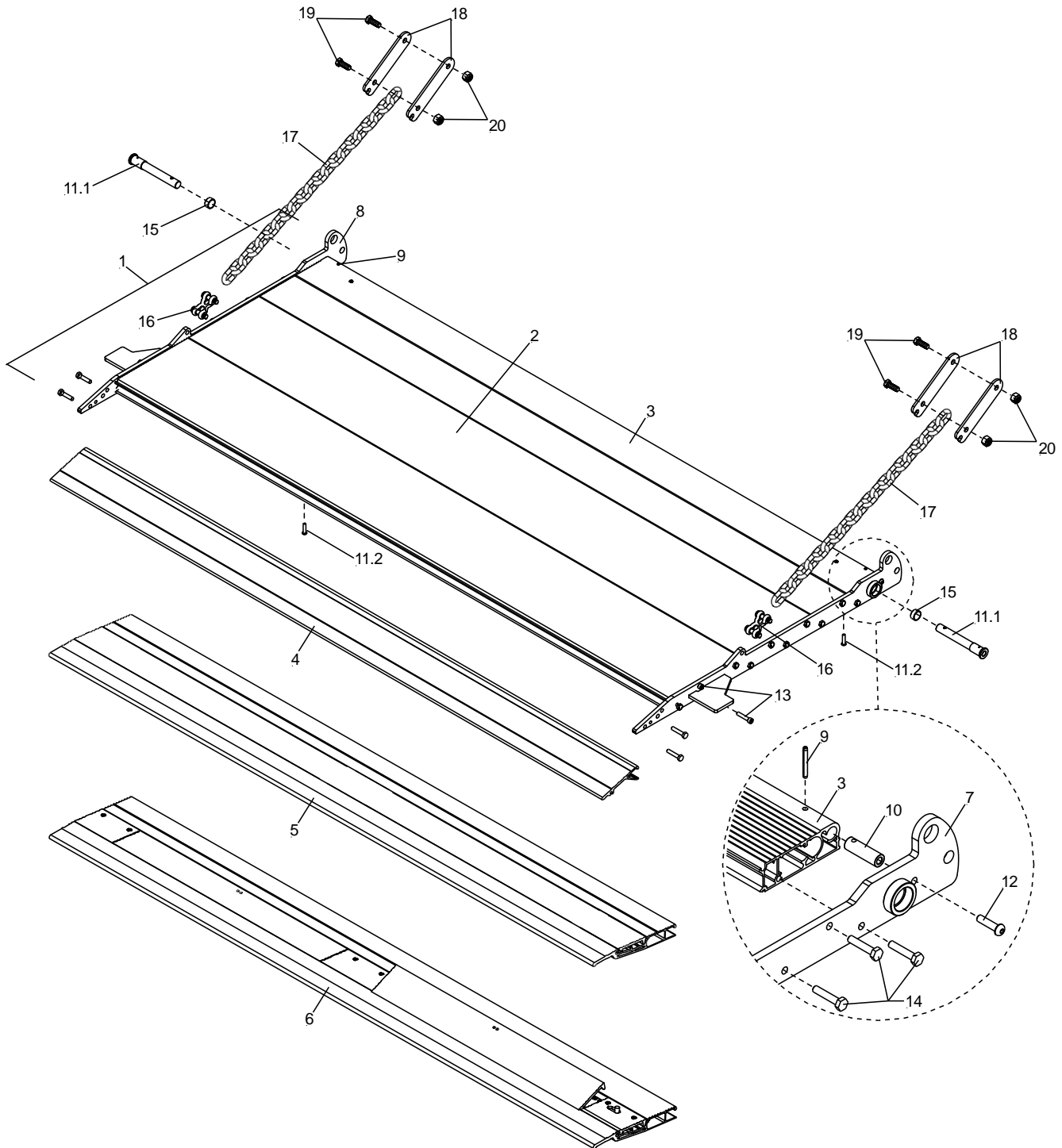
Palfinger Liftgates, LLC.
572 Whitehead Road, Trenton, NJ 08619
Tel: (609) 587-4200, Fax: (609) 587-4201

Built to Deliver - Every Time

5 – STEEL PLATFORM BAR GRATE			
NO.	DESCRIPTION	PART NO.	QTY.
1	PLATFORM ASSEMBLY, 42" X 94" + 12" FIXED	22-0716-300	1
2	KIT, DECK PIN AND BOLT	04-0709-011A	1
2.1	PIN, DECK, INCL. GREASE ZERK	04-0709-011	2
2.2	BUTTON HEAD CAP SCREW, 3/8 - 16 X 1.5"	ES3439	2
3	ANCHOR, H, CHAIN	1431026	2
4	CHAIN, SIDE, 3/8" GR.70 (SOLD BY THE FOOT)	45025	2
5	ANCHOR, CHAIR, UPPER, (FOR RUNNER)	04-0709-104	4
6	HEX HEAD CAP SCREW, 3/8"-16 X 1.25"	ES3496	4
7	NUT, NYLOCK, 3/8" - 16	EM 708	4
8	BUSHING, 28MMX 25MM X 14MM	ELG1034	2

Built to Deliver - Every Time

6 Aluminum Platform with Fixed Ramp



Palfinger Liftgates, LLC.
15939 Piuma Ave, Cerritos, CA 90703
Tel: (888) 774-5844, Fax: (562) 924-8318

Palfinger Liftgates, LLC.
572 Whitehead Road, Trenton, NJ 08619
Tel: (609) 587-4200, Fax: (609) 587-4201

Built to Deliver - Every Time

6 – ALUMINUM PLATFORM WITH FIXED RAMP					
NO.	DESCRIPTION	PART NO.			QTY.
		+6" FIXED RAMP	+12" FIXED RAMP	+12" RAMP W/CART STOP	
1	PLATFORM ASSEMBLY, 30"X88"	--	20-0716-112	20-0716-118	1
	PLATFORM ASSEMBLY, 36"X88"	20-0716-107	20-0716-113	20-0716-119	1
	PLATFORM ASSEMBLY, 42"X88"	20-0716-108	20-0716-114	20-0716-120	1
	PLATFORM ASSEMBLY, 48"X88"	20-0716-109	20-0716-115	20-0716-121	1
	PLATFORM ASSEMBLY, 60"X88"	20-0716-110	20-0716-116	20-0716-122	1
	PLATFORM ASSEMBLY, 72"X88"	20-0716-111	20-0716-117	20-0716-123	1
	PLATFORM ASSEMBLY, 30"X94"	--	20-0716-212	20-0716-218	1
	PLATFORM ASSEMBLY, 36"X94"	20-0716-207	20-0716-213	20-0716-219	1
	PLATFORM ASSEMBLY, 42"X94"	20-0716-208	20-0716-214	20-0716-220	1
	PLATFORM ASSEMBLY, 48"X94"	20-0716-209	20-0716-215	20-0716-221	1
	PLATFORM ASSEMBLY, 60"X94"	20-0716-210	20-0716-216	20-0716-222	1
PLATFORM ASSEMBLY, 72"X94"	20-0716-211	20-0716-217	20-0716-223	1	
2	*ALUMINUM BOARD – 6", CENTER	20-0709-037	20-0709-037	20-0709-037	TBD
	*ALUMINUM BOARD – 12", CENTER	20-0716-037	20-0716-037	20-0716-037	TBD
3	*ALUMINUM BOARD – 6", HINGE	20-0709-033	20-0709-033	20-0709-033	TBD
4	RAMP, 6", ALUMINUM, FIXED, 88"W	23-0709-015	23-0709-015	23-0709-015	1
	RAMP, 6", ALUMINUM, FIXED, 94"W	23-0709-021	23-0709-021	23-0709-021	1
5	RAMP, 12", ALUMINUM, FIXED, 88"W	23-0709-009	23-0709-009	23-0709-009	1
	RAMP, 12", ALUMINUM, FIXED, 94"W	23-0709-013	23-0709-013	23-0709-013	1
6	RAMP, 12", ALUMINUM, CART STOP, 88"W	23-0709-030	23-0709-030	23-0709-030	1
	RAMP, 12", ALUMINUM, CART STOP, 94"W	23-0709-040	23-0709-040	23-0709-040	1
7	SIDE BAR ASSEMBLY – RIGHT SIDE	ON REQUEST	ON REQUEST	ON REQUEST	1
8	SIDE BAR ASSEMBLY – LEFT SIDE	ON REQUEST	ON REQUEST	ON REQUEST	1
9	COIL PIN, 1/4" X 2", ZINC	EQ1634	EQ1634	EQ1634	2
10	PULL PIN	00-0709-015	00-0709-015	00-0709-015	1
11	KIT, DECK PIN AND BOLT	04-0709-011A	04-0709-011A	04-0709-011A	1
11.1	PIN, DECK, INCLUDING GREASE ZERK	04-0709-011	04-0709-011	04-0709-011	2
11.2	BUTTON HEAD CAP SCREW, 3/8 - 16 X 1.5"	ES3439	ES3439	ES3439	2
12	BUTTON HEAD CAP SCREW, M10-1.5 X 40MM	ES3507	ES3507	ES3507	2
13	SOCKET HEAD CAP SCREW, M10-1.5 X 40MM	ES3463	ES3463	ES3463	4
14	HEX HEAD CAP SCREW, M10-1.5 X 50MM	ES 256	ES 256	ES 256	TBD
15	BUSHING, 28MM X 25MM X 14MM	ELG1034	ELG1034	ELG1034	2
16	ANCHOR, H, CHAIN	1431026	1431026	1431026	2
17	CHAIN, SIDE, 3/8" GR.70 (SOLD BY THE FOOT)	45025	45025	45025	2
18	ANCHOR, CHAIR, UPPER, (FOR RUNNER)	04-0709-104	04-0709-104	04-0709-104	4
19	HEX HEAD CAP SCREW, 3/8"-16 X 1.25"	ES3496	ES3496	ES3496	4
20	NUT, NYLOCK, 3/8" - 16	EM-708	EM-708	EM-708	4

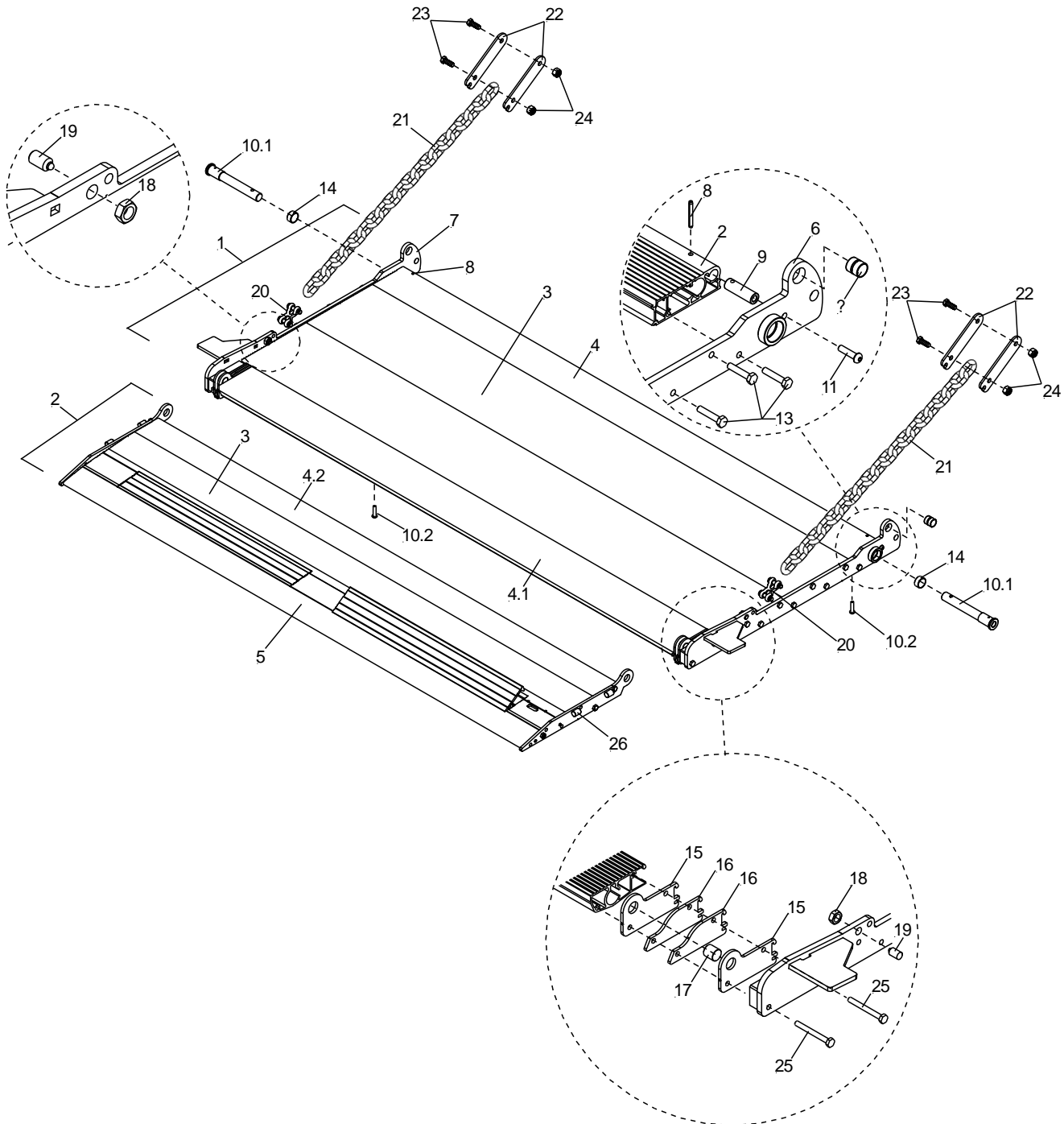
*Lengths are for 102" wide liftgates, will be cut into specific length for other liftgate widths on request.

Palfinger Liftgates, LLC.
 15939 Piuma Ave, Cerritos, CA 90703
 Tel: (888) 774-5844, Fax: (562) 924-8318

Palfinger Liftgates, LLC.
 572 Whitehead Road, Trenton, NJ 08619
 Tel: (609) 587-4200, Fax: (609) 587-4201

Built to Deliver - Every Time

7 Split Aluminum Platform with Folding Tip



Palfinger Liftgates, LLC.
15939 Piuma Ave, Cerritos, CA 90703
Tel: (888) 774-5844, Fax: (562) 924-8318

Palfinger Liftgates, LLC.
572 Whitehead Road, Trenton, NJ 08619
Tel: (609) 587-4200, Fax: (609) 587-4201

Built to Deliver - Every Time

7 – ALUMINUM PLATFORM WITH FOLDING RAMP			
NO.	DESCRIPTION	PART NO.	QTY.
1	MAIN ASSEMBLY, 30"X88"	21-0714-000	1
	MAIN ASSEMBLY, 36"X88"	22-0709-050	1
	MAIN ASSEMBLY, 42"X88"	22-0709-090	1
	MAIN ASSEMBLY, 30"X94"	21-0715-000	1
	MAIN ASSEMBLY, 36"X94"	22-0709-070	1
	MAIN ASSEMBLY, 42"X94"	22-0709-092	1
2	TIP ASSEMBLY, 6"X88"+6"	22-0709-010	1
	TIP ASSEMBLY, 6"X88"+12"	22-0709-032	1
	TIP ASSEMBLY, 6"X88"+12" CART STOP	22-0709-048	1
	TIP ASSEMBLY, 6"X94"+6"	22-0709-120	1
	TIP ASSEMBLY, 6"X94"+12"	22-0709-117	1
	TIP ASSEMBLY, 6"X94"+12" CART STOP	22-0709-126	1
	TIP ASSEMBLY, 12"X88"+6"	22-0709-057	1
	TIP ASSEMBLY, 12"X88"+12"	22-0709-022	1
	TIP ASSEMBLY, 12"X88"+12" CART STOP	22-0709-030	1
	TIP ASSEMBLY, 12"X94"+12"	22-0709-093	1
3	*ALUMINUM BOARD – 6", CENTER	20-0709-037	TBD
	*ALUMINUM BOARD – 12", CENTER	20-0716-037	TBD
4	*ALUMINUM BOARD – 6", HINGE, MAIN	20-0709-033	1
4.1	*ALUMINUM BOARD – 6", BASE	22-0709-071	1
4.2	*ALUMINUM BOARD – 6", HINGE, TIP	22-0709-073	1
5	RAMP, 6", ALUMINUM, FIXED, 88"W	23-0709-015	1
	RAMP, 6", ALUMINUM, FIXED, 94"W	23-0709-021	1
	RAMP, 12", ALUMINUM, FIXED, 88"W	23-0709-009	1
	RAMP, 12", ALUMINUM, FIXED, 94"W	23-0709-013	1
	RAMP, 12", ALUMINUM, CART STOP, 88"W	23-0709-030	1
	RAMP, 12", ALUMINUM, CART STOP, 94"W	23-0709-040	1
6	SIDE BAR ASSEMBLY – RIGHT SIDE	ON REQUEST	1
7	SIDE BAR ASSEMBLY – LEFT SIDE	ON REQUEST	1
8	COIL PIN, ¼" X 2.00", ZINC	EQ1634	2
9	PULL PIN	00-0709-015	1
10	KIT, DECK PIN AND BOLT	04-0709-011A	1
10.1	PIN, DECK, INCLUDING GREASE ZERK	04-0709-011	2
10.2	BUTTON HEAD CAP SCREW, 3/8 - 16 X 1.50"	ES3439	2
11	BUTTON HEAD CAP SCREW, M10-1.5 X 40MM	ES3507	2
12	SOCKET HEAD CAP SCREW, M10-1.5 X 40MM	ES3463	2
13	HEX HEAD CAP SCREW, M10-1.5 X 50MM	ES 256	1
14	BUSHING, 28MM X 25MM X 14MM	ELG1034	1
15	HINGE PLATE, OUTER	22-0709-003	1
16	HINGE PLATE, INNER	22-0709-004	1
17	PIN - 1" DIA X 1" LONG SS	22-0709-005	2
18	JAM NUT - 5/8-11 ZINC	EM 728	2
19	PLUNGER - 5/8-11 ZINC	1417100	2
20	ANCHOR, H, CHAIN	1431026	2
21	CHAIN, SIDE, 3/8" GR.70 (SOLD BY THE FOOT)	45025	2
22	ANCHOR, CHAIR, UPPER, (FOR RUNNER)	04-0709-104	4
23	HEX HEAD CAP SCREW, 3/8"-16 X 1.25"	ES3496	4
24	NUT, NYLOCK, 3/8"-16	EM-708	4
25	HEX HEAD CAP SCREW, M10-1.5X100MM	ES 248	4
26	PIN, Ø3/4" X 1.00"L	22-0709-015	4

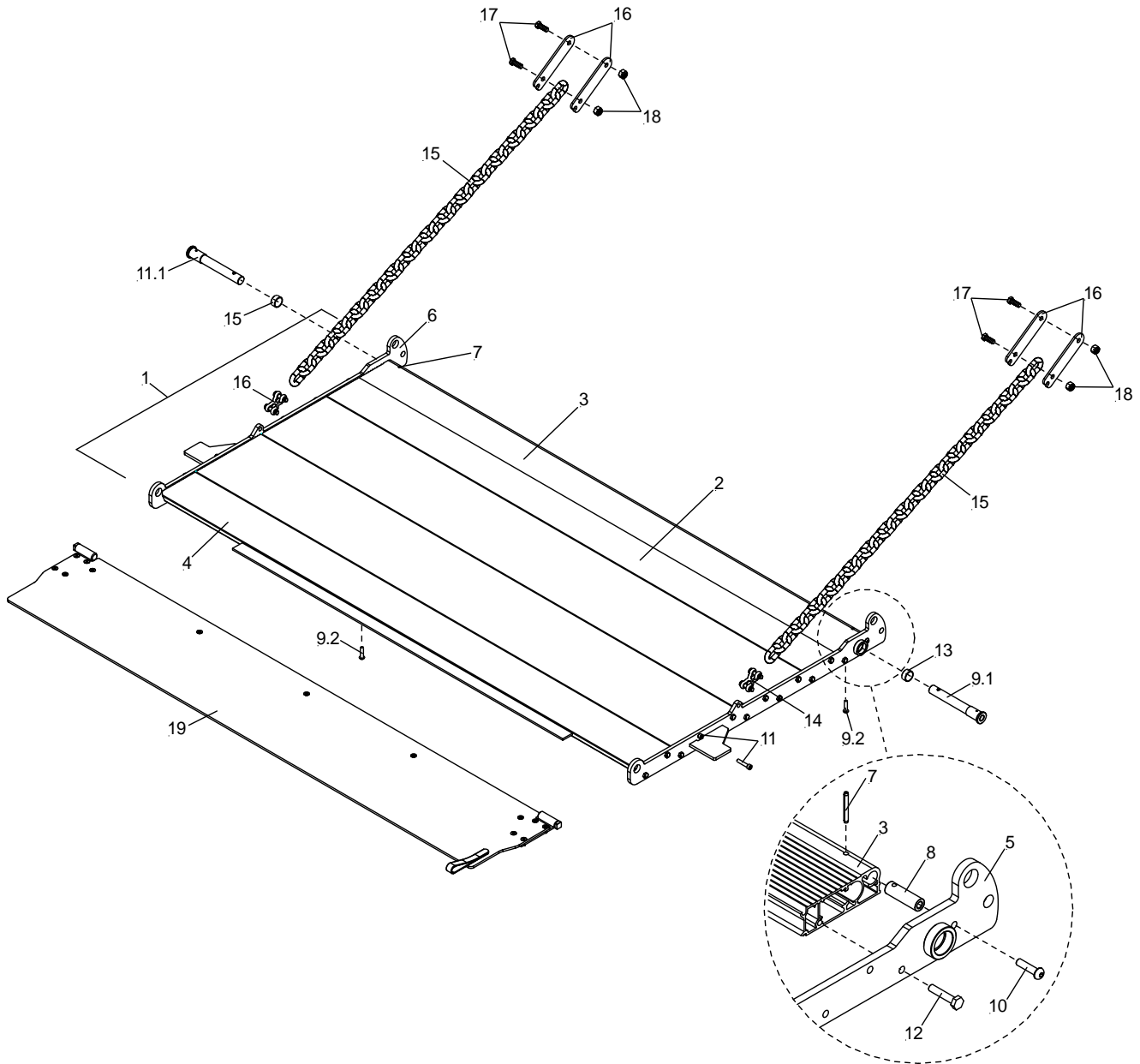
*Lengths are for 102" wide liftgates, will be cut into specific length for other liftgate widths on request.

Palfinger Liftgates, LLC.
15939 Piuma Ave, Cerritos, CA 90703
Tel: (888) 774-5844, Fax: (562) 924-8318

Palfinger Liftgates, LLC.
572 Whitehead Road, Trenton, NJ 08619
Tel: (609) 587-4200, Fax: (609) 587-4201

Built to Deliver - Every Time

8 Aluminum Platform with Aluminum Retention Ramp (ARR)



Palfinger Liftgates, LLC.
15939 Piuma Ave, Cerritos, CA 90703
Tel: (888) 774-5844, Fax: (562) 924-8318

Palfinger Liftgates, LLC.
572 Whitehead Road, Trenton, NJ 08619
Tel: (609) 587-4200, Fax: (609) 587-4201

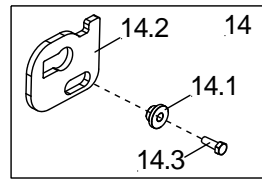
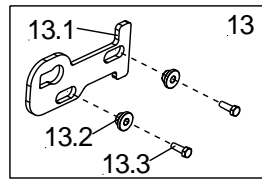
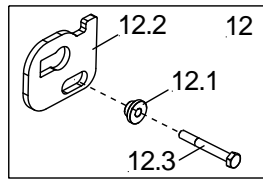
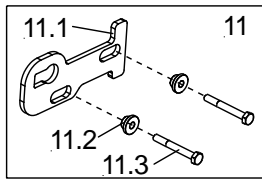
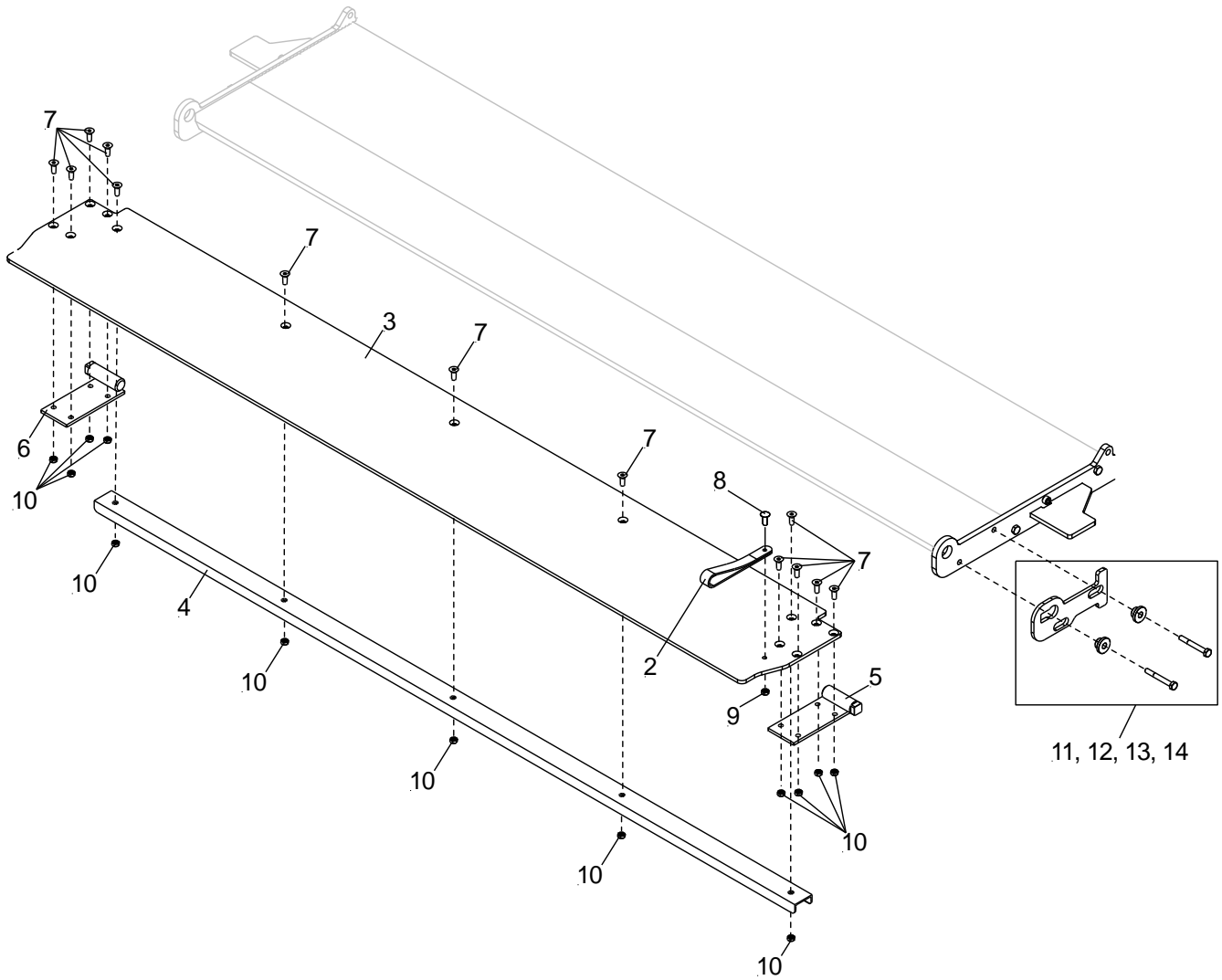
Built to Deliver - Every Time

8 – ALUMINUM PLATFORM WITH ALUMINUM RETENTION RAMP (ARR)			
NO.	DESCRIPTION	PART NO.	QTY.
1	PLATFORM ASSEMBLY, 36"X88"+ARR	20-0716-124	1
	PLATFORM ASSEMBLY, 42"X88"+ARR	20-0716-125	1
	PLATFORM ASSEMBLY, 48"X88"+ARR	20-0716-126	1
	PLATFORM ASSEMBLY, 60"X88"+ARR	20-0716-127	1
	PLATFORM ASSEMBLY, 72"X88"+ARR	20-0716-128	1
	PLATFORM ASSEMBLY, 36"X94"+ARR	20-0716-224	1
	PLATFORM ASSEMBLY, 42"X94"+ARR	20-0716-225	1
	PLATFORM ASSEMBLY, 48"X94"+ARR	20-0716-226	1
	PLATFORM ASSEMBLY, 60"X94"+ARR	20-0716-227	1
PLATFORM ASSEMBLY, 72"X94"+ARR	20-0716-228	1	
2	*ALUMINUM BOARD – 6", CENTER	20-0709-037	TBD
	*ALUMINUM BOARD – 12", CENTER	20-0716-037	TBD
3	*ALUMINUM BOARD – 6", HINGE	20-0709-033	1
4	*ALUMINUM BOARD – 6", BASE	20-0709-034	1
5	SIDE BAR ASSEMBLY – RIGHT SIDE	ON REQUEST	1
6	SIDE BAR ASSEMBLY – LEFT SIDE	ON REQUEST	1
7	COIL PIN, 1/4" X 2.00", ZINC	EQ1634	2
8	PULL PIN	00-0709-015	1
9	KIT, DECK PIN AND BOLT	04-0709-011A	1
9.1	PIN, DECK, INCLUDING GREASE ZERK	04-0709-011	2
9.2	BUTTON HEAD CAP SCREW, 3/8 - 16 X 1.50"	ES3439	2
10	BUTTON HEAD CAP SCREW, M10-1.5 X 40MM	ES3507	2
11	SOCKET HEAD CAP SCREW, M10-1.5 X 40MM	ES3463	4
12	HEX HEAD CAP SCREW, M10-1.5 X 50MM	ES 256	1
13	BUSHING, 28MM X 25MM X 14MM	ELG1034	1
14	ANCHOR, H, CHAIN	1431026	2
15	CHAIN, SIDE, 3/8" GR.70 (SOLD BY THE FOOT)	45025	2
16	ANCHOR, CHAIR, UPPER, (FOR RUNNER)	04-0709-104	4
17	HEX HEAD CAP SCREW, 3/8"-16 X 1.25"	ES3496	4
18	NUT, NYLOCK, 3/8"-16	EM-708	4
19	KIT, (ARR) ALUMINUM RETENTION RAMP (SEE SECTION 9)	--	1

**Lengths are for 102" wide liftgates, will be cut into specific length for other liftgate widths on request.*

Built to Deliver - Every Time

9 Aluminum Retention Ramps (ARR)

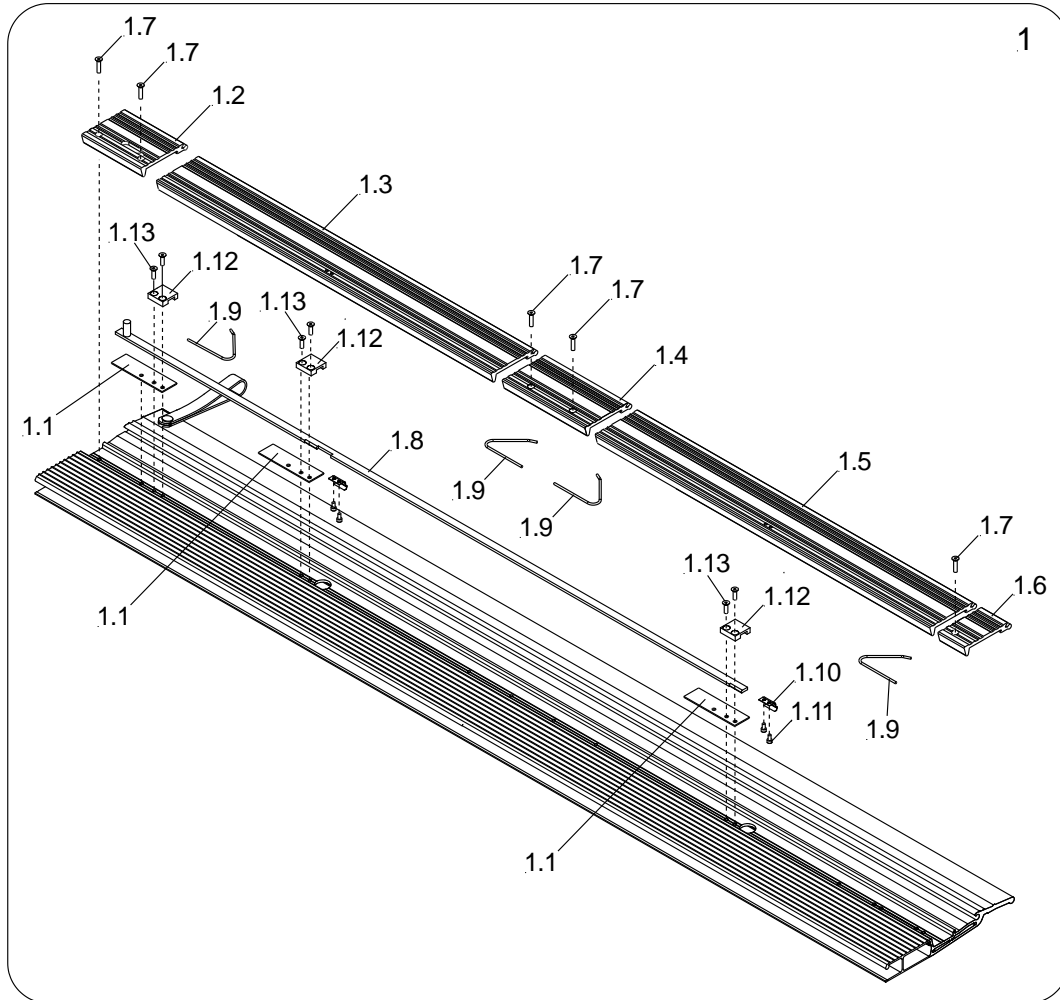


Built to Deliver - Every Time

9 – ALUMINUM RETENSION RAMPS (ARR)			
NO.	DESCRIPTION	PART NO.	QTY.
1	KIT, ARR ASSEMBLY, 88"W X 12" D	23-0709-000	1
	KIT, ARR ASSEMBLY, 94"W X 12" D	23-0709-020	1
	KIT, ARR ASSEMBLY, 88"W X 16" D	23-0714-002	1
	KIT, ARR ASSEMBLY, 94"W X 16" D	23-0714-000	1
2	HANDLE STRAP	20-1210-003	1
3	RAMP, ALUMINUM, DIAMOND PLATE, 88"W X 12"D	23-0709-001	1
	RAMP, ALUMINUM, DIAMOND PLATE, 88"W X 16"D	23-0714-003	1
	RAMP, ALUMINUM, DIAMOND PLATE, 94"W X 12"D	23-0709-017	1
	RAMP, ALUMINUM, DIAMOND PLATE, 94"W X 16"D	23-0714-001	1
4	CENTER BAR STIFFENER	23-0709-004	1
5	RAMP HINGE - CURB SIDE	23-0709-005	1
6	RAMP HINGE – DRIVER SIDE	23-0709-006	1
7	FLAT HEAD CAP SCREW, 3/8-16 X1"	99-8813-047	1
8	CARRIAGE BOLT, 5/16-18 X	99-8814-003	1
9	NUT, NYLOCK, 5/16-18	ES3461	1
10	NUT, NYLOCK, 3/8-16 THIN	EM 709	1
11	KIT, LONG KICK LATCH, ALUMINUM PLATFORM	22-0709-110	1
11.1	RAMP KICK LATCH	23-0709-007	1
11.2	BUSHING	23-0709-008	1
11.3	HEX HEAD CAP SCREW, M10X1.5 X 80MM, CL12.9, ZINC	ES3245	1
12	KIT, SHORT KICK LATCH, ALUMINUM PLATFORM	22-0709-111	1
12.1	BUSHING	23-0709-008	1
12.2	RAMP KICK LATCH	23-0709-019	1
12.3	HEX HEAD CAP SCREW, M10X1.5 X 80MM, CL12.9, ZINC	ES3245	1
13	KIT, LONG KICK LATCH, STEEL PLATFORM	22-0709-112	1
13.1	RAMP KICK LATCH	23-0709-007	1
13.2	BUSHING	23-0709-008	1
13.3	HEX HEAD CAP SCREW, 3/8-16 X 1", GR.5, ZINC	ES3446	1
14	KIT, SHORT KICK LATCH, STEEL PLATFORM	22-0709-113	1
14.1	BUSHING	23-0709-008	1
14.2	RAMP KICK LATCH	23-0709-019	1
14.3	HEX HEAD CAP SCREW, 3/8-16 X 1", GR.5, ZINC	ES3446	1

Built to Deliver - Every Time

10 Cart Stops - Aluminum Platforms



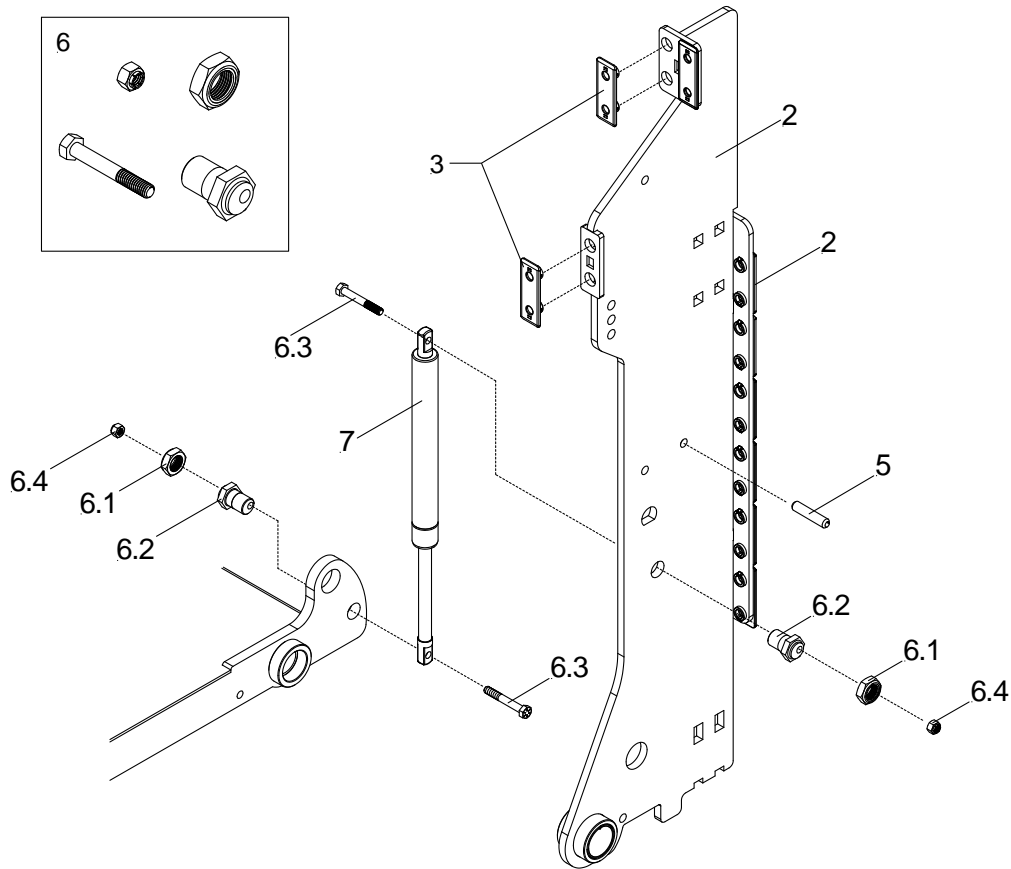
10 – CART STOPS ALUMINUM PLATFORMS			
NO.	DESCRIPTION	PART NO.	QTY.
1	ASSEMBLY, 2X 800MM CART STOP, 12" x 79"	22-0314-018	1
1.1	PAD, DELRIN, 35MM x 120MM x 2MM	1406245	1
1.2	PLATE COVER, CURB SIDE	2003301	1
1.3	CART STOP, 800MM, CURB SIDE	2006698	1
1.4	PLATE COVER, CENTER	2003302	1
1.5	CART STOP, 800MM, STREET SIDE	2006697	1
1.6	PLATE COVER, STREET SIDE	2003303	1
1.7	SOCKET HEAD CAP SCREW, M6-1.0 x 30MM	1057441	1
1.8	SLIDING RAIL	1406248	1
1.9	SPRING ROD	1408661	1
1.10	CLIP	1406249	1
1.11	SOCKET HEAD CAP SCREW, M5-0.80 x 8MM	1119357	1
1.12	C-CLIP, PLASTIC	2004637	1
1.13	SOCKET HEAD CAP SCREW, M6-1.0 x 20MM	1004726	1

Palfinger Liftgates, LLC.
 15939 Piuma Ave, Cerritos, CA 90703
 Tel: (888) 774-5844, Fax: (562) 924-8318

Palfinger Liftgates, LLC.
 572 Whitehead Road, Trenton, NJ 08619
 Tel: (609) 587-4200, Fax: (609) 587-4201

Built to Deliver - Every Time

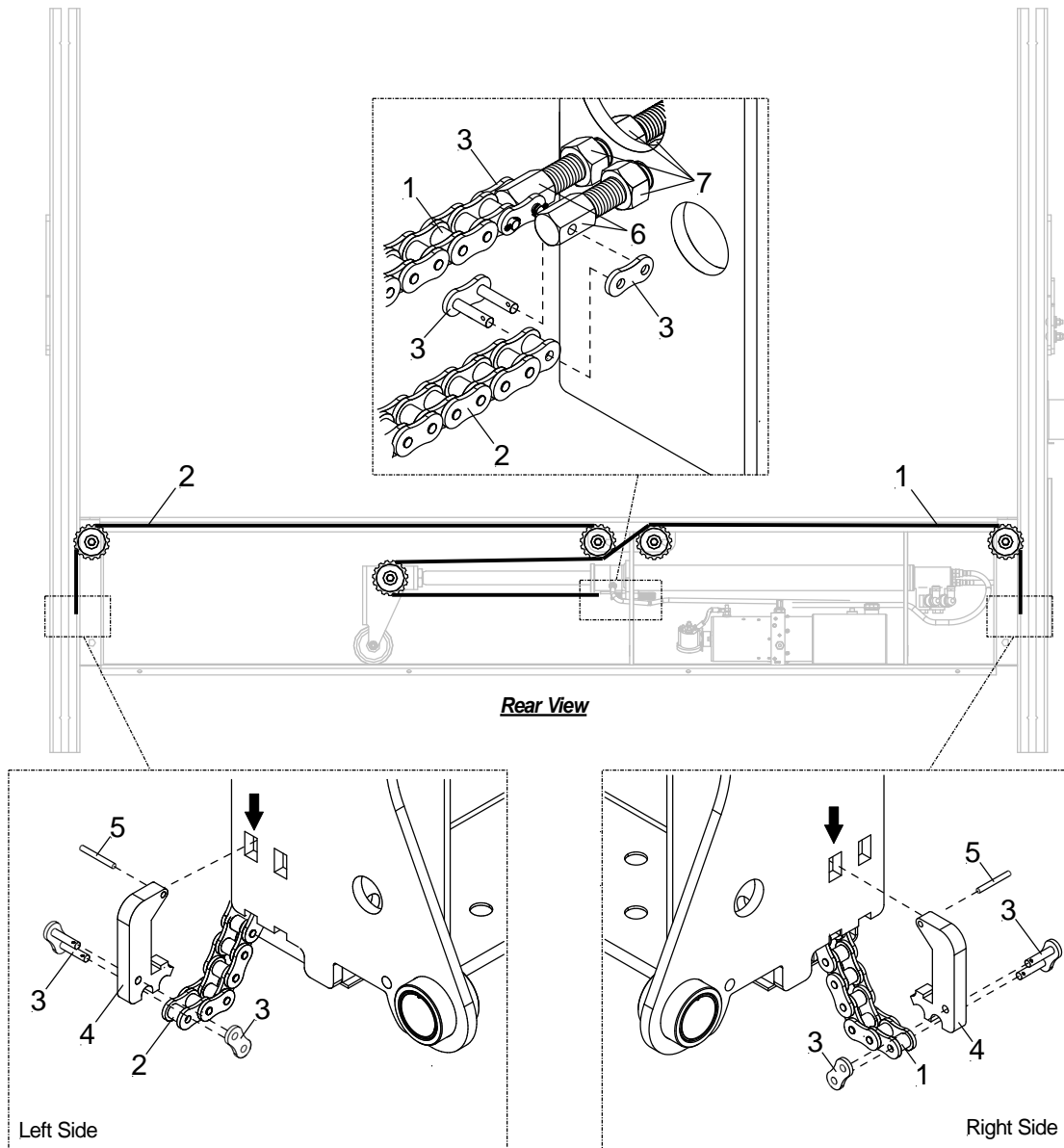
11 Runner



11 – RUNNER			
NO.	DESCRIPTION	PART NO.	QTY.
1	KIT, ASSEMBLY, RUNNER, PADS, BUSHING, PIN	03-0709-000	1
2	RUNNER, WELDMENT	03-0709-100	1
3	PAD, SLIDE, NYLON (15X PER RUNNER)	2020681	1
4	BUSHING, 36MM IDX 40MM OD X41MM L, BRONZE	ELG1033	1
5	SPRING PIN, M10X50MM	EQ1699	1
6	KIT, ECCENTRIC BOLT WITH HARDWARE	75-0716-000	1
6.1	NUT, NYLOCK, 3/4-16 GR 5 ZINC, HALF HEIGHT	EM 688	1
6.2	BOLT, ECCENTRIC, MANUAL CLOSING	00-0709-009	1
6.3	HEX HEAD CAP SCREW, 5/16-18 X 2.25" GR.8 ZINC	ES3424	1
6.4	NUT EXPANDING HEX LOCKNUT, 5/16-18	EM 687	1
7	GAS SPRING (SEE SECTION 14)	--	1

Built to Deliver - Every Time

12 Chain Routing – Standard ILM+



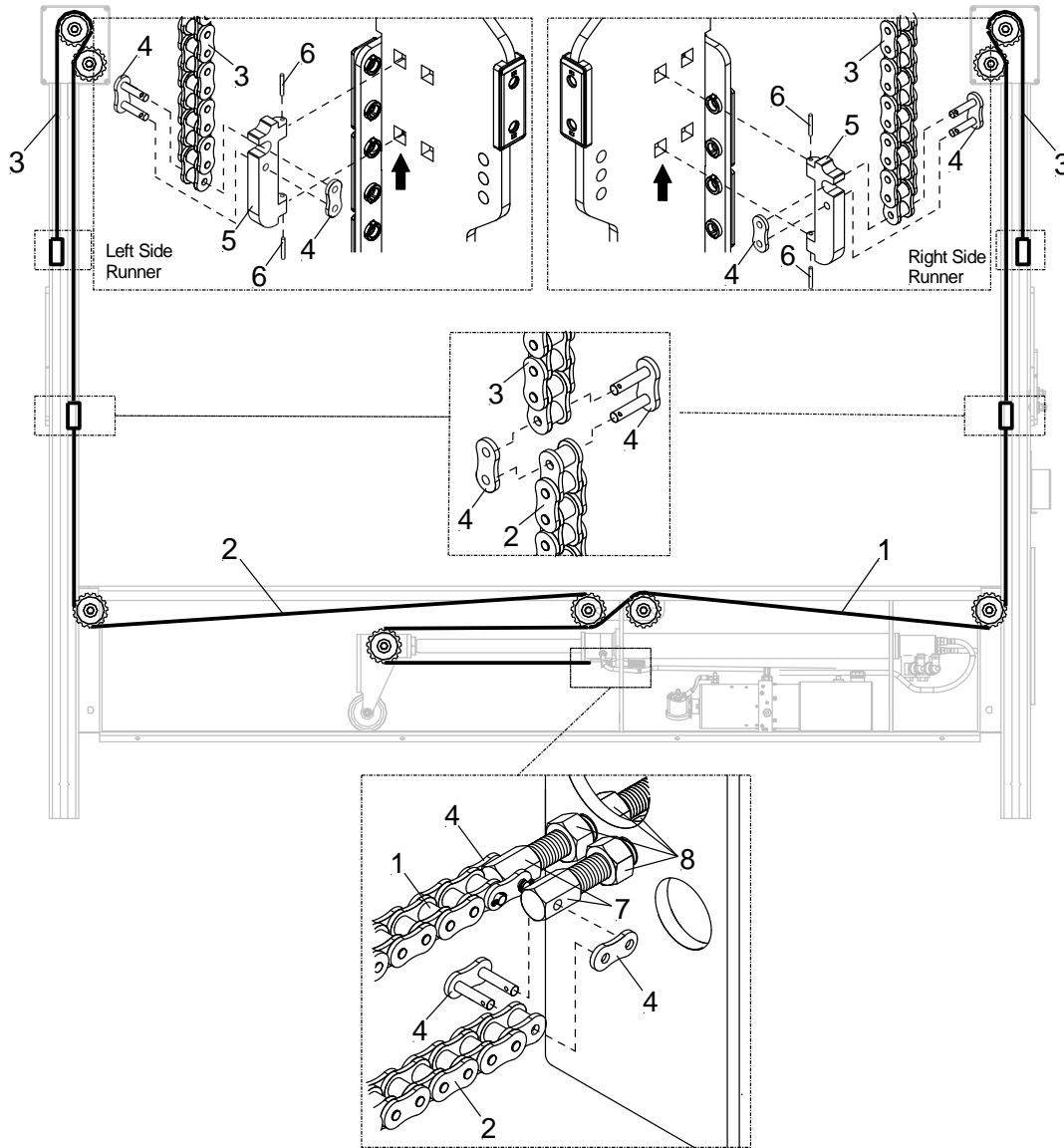
12 – CHAIN ROUTING - STANDARD			
NO.	DESCRIPTION	PART NO.	QTY.
1	ROLLER CHAIN, RIGHT SIDE, 114-3/4"(153 LINKS) COMMON	EZ7048	1
2	ROLLER CHAIN, LEFT SIDE, 129-3/4"(173 LINKS) 100" WIDE	EZ7050	1
	ROLLER CHAIN, LEFT SIDE, 123-3/4"(165 LINKS) 94" WIDE	EZ7052	1
3	MASTER LINK, #60, WITH COTTER PIN	EZ7043	1
4	PLATE, CHAIN ANCHOR, RUNNER	03-0709-001	1
5	COIL PIN, ϕ 1/8 X 1"L	EQ1635	1
6	CHAIN ANCHOR, ADJUSTABLE, 5/8-11X4.50"	04-0709-101	1
7	NUT, CHAIN ANCHOR, 5/8-11, GR.5, ZINC	ES3514	1

Palfinger Liftgates, LLC.
 15939 Piuma Ave, Cerritos, CA 90703
 Tel: (888) 774-5844, Fax: (562) 924-8318

Palfinger Liftgates, LLC.
 572 Whitehead Road, Trenton, NJ 08619
 Tel: (609) 587-4200, Fax: (609) 587-4201

Built to Deliver - Every Time

13 Chain Routing – Above Floor ILM+



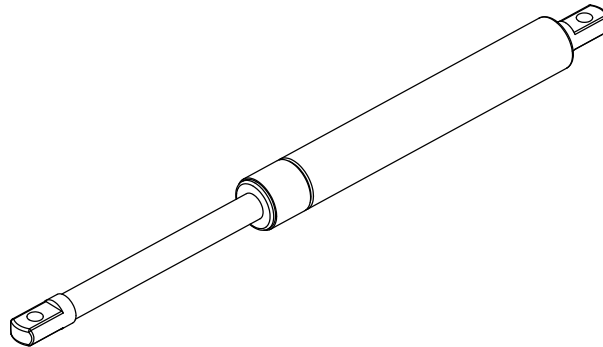
13 – CHAIN ROUTING – ABOVE FLOOR			
NO.	DESCRIPTION	PART NO.	QTY.
1	ROLLER CHAIN, RIGHT SIDE, 114-3/4"(153 LINKS) COMMON	EZ7048	1
2	ROLLER CHAIN, LEFT SIDE, 129-3/4"(173 LINKS) 100" WIDE	EZ7050	1
	ROLLER CHAIN, LEFT SIDE, 123-3/4"(165 LINKS) 94" WIDE	EZ7052	1
3	ROLLER CHAIN X 83.25 CC (111 LINKS) COMMON	1419669	1
4	MASTER LINK, #60, WITH COTTER PIN	EZ7043	1
5	PLATE, CHAIN ANCHOR, RUNNER	10-0709-009	1
6	COIL PIN, ϕ 1/8 X 1"L	EQ1635	1
7	CHAIN ANCHOR, ADJUSTABLE, 5/8-11X4.50"	04-0709-101	1
8	NUT, CHAIN ANCHOR, 5/8-11, GR.5, ZINC	ES3514	1

Palfinger Liftgates, LLC.
 15939 Piuma Ave, Cerritos, CA 90703
 Tel: (888) 774-5844, Fax: (562) 924-8318

Palfinger Liftgates, LLC.
 572 Whitehead Road, Trenton, NJ 08619
 Tel: (609) 587-4200, Fax: (609) 587-4201

Built to Deliver - Every Time

14 Gas Shocks



14 – GAS SHOCKS								
STEEL & ALUMINUM DECKS								
	PLATFORM SIZE DECK SIZE	MATERIAL FOR ALL	FRAME					
			86" WIDE		94" WIDE		100" WIDE	
			80" WIDE	QTY.	88" WIDE	QTY.	94" WIDE	QTY.
1	30+12 (CART STOP)	ALUM.	-	-	-	-	07-0709-520	1
2	36+6 (NO CHAIN)	ALUM.	-	-	07-0709-520	1	-	-
3	36+6	ALUM.	-	-	07-0709-520	1	-	-
4	36+6	STEEL	-	-	07-0709-340	2	-	-
5	36+12	ALUM.	-	-	07-0709-340	2	-	-
6	36+12 (ALUMINUM RETENTION RAMP)	ALUM.	-	-	07-0709-340	2	-	-
7	36+12 (ALUMINUM RETENTION RAMP)	STEEL	-	-	07-0709-340	2	-	-
8	36+12 (CART STOP)	ALUM.	-	-	07-0709-340	2	-	-
9	42+6	ALUM.	00-0709-385	2	07-0709-430	2	-	-
10	42+6	STEEL	-	-	07-0709-430	2	-	-
11	42+12	ALUM.	-	-	07-0709-430	2	07-0709-475	2
12	42+12 (CART STOP)	ALUM.	-	-	07-0709-430	2	-	-
13	42+12 (ALUMINUM RETENTION RAMP)	ALUM.	-	-	07-0709-430	2	-	-
14	42+12 (ALUMINUM RETENTION RAMP)	ALUM.	-	-	07-0709-430	2	07-0709-475	2
15	42+12 (ALUMINUM RETENTION RAMP)	STEEL	-	-	07-0709-430	2	07-0709-475	2
16	48+6	ALUM.	-	-	07-0709-430	2	-	-
17	48+6	STEEL	-	-	07-0709-565	2	07-0709-565	2

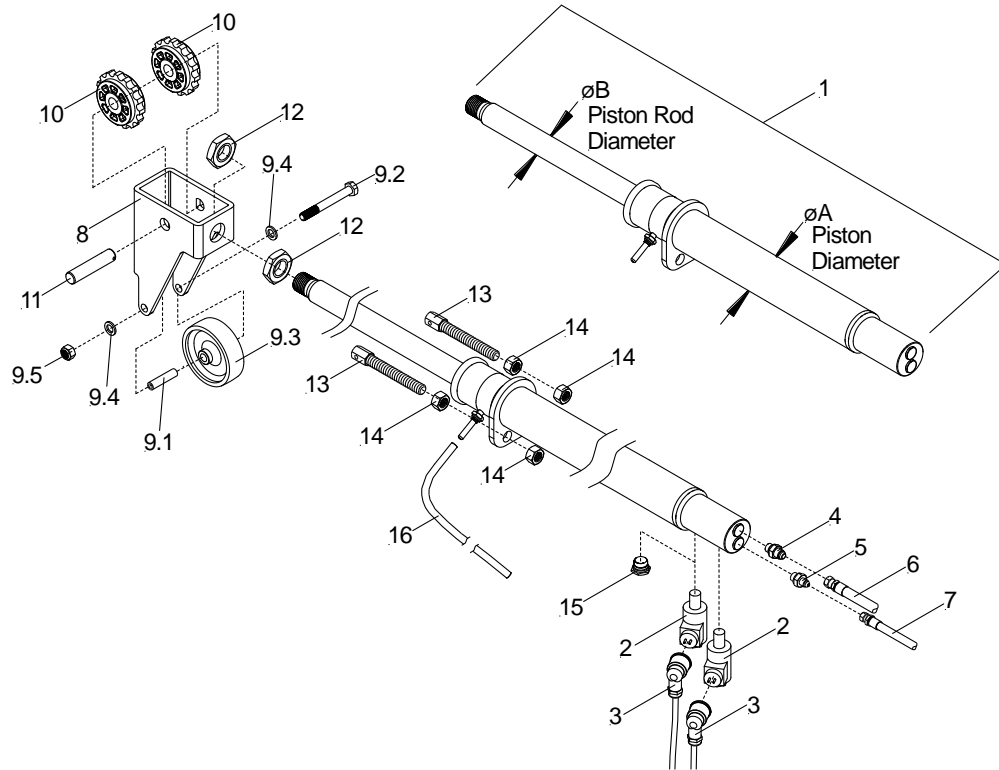
ALUMINUM FOLDING DECKS								
	PLATFORM SIZE DECK SIZE	MATERIAL FOR ALL	FRAME					
			86" WIDE		94" WIDE		100" WIDE	
			80" WIDE	QTY.	88" WIDE	QTY.	94" WIDE	QTY.
1	36+6 (30+6+6)	ALUM.	00-0709-340	2	00-0709-340	2	-	-
2	36+12(30+6+12)	ALUM.	00-0709-340	2	00-0709-340	2	-	-
3	36+6+12 (CS) (30+6+12)	ALUM.	00-0709-340	2	00-0709-340	2	-	-
4	42+6 (30+12+6)	ALUM.	-	-	00-0709-340	2	-	-
5	42+12 (36+6+12)	ALUM.	-	-	00-0709-340	2	-	-
6	42+12 (CS) (36+6+12)	ALUM.	-	-	00-0709-340	2	-	-
7	48+6 (36+12+6)	ALUM.	-	-	00-0709-520	2	-	-
8	48+12 (36+12+12)	ALUM.	-	-	00-0709-430	2	00-0709-520	2
9	48+12 (CS) (36+12+12)	ALUM.	-	-	00-0709-520	2	-	-
10	54+6 (36+18+6)	ALUM.	-	-	00-0709-520	2	00-0709-520	2

Palfinger Liftgates, LLC.
 15939 Piuma Ave, Cerritos, CA 90703
 Tel: (888) 774-5844, Fax: (562) 924-8318

Palfinger Liftgates, LLC.
 572 Whitehead Road, Trenton, NJ 08619
 Tel: (609) 587-4200, Fax: (609) 587-4201

Built to Deliver - Every Time

15 Cylinder



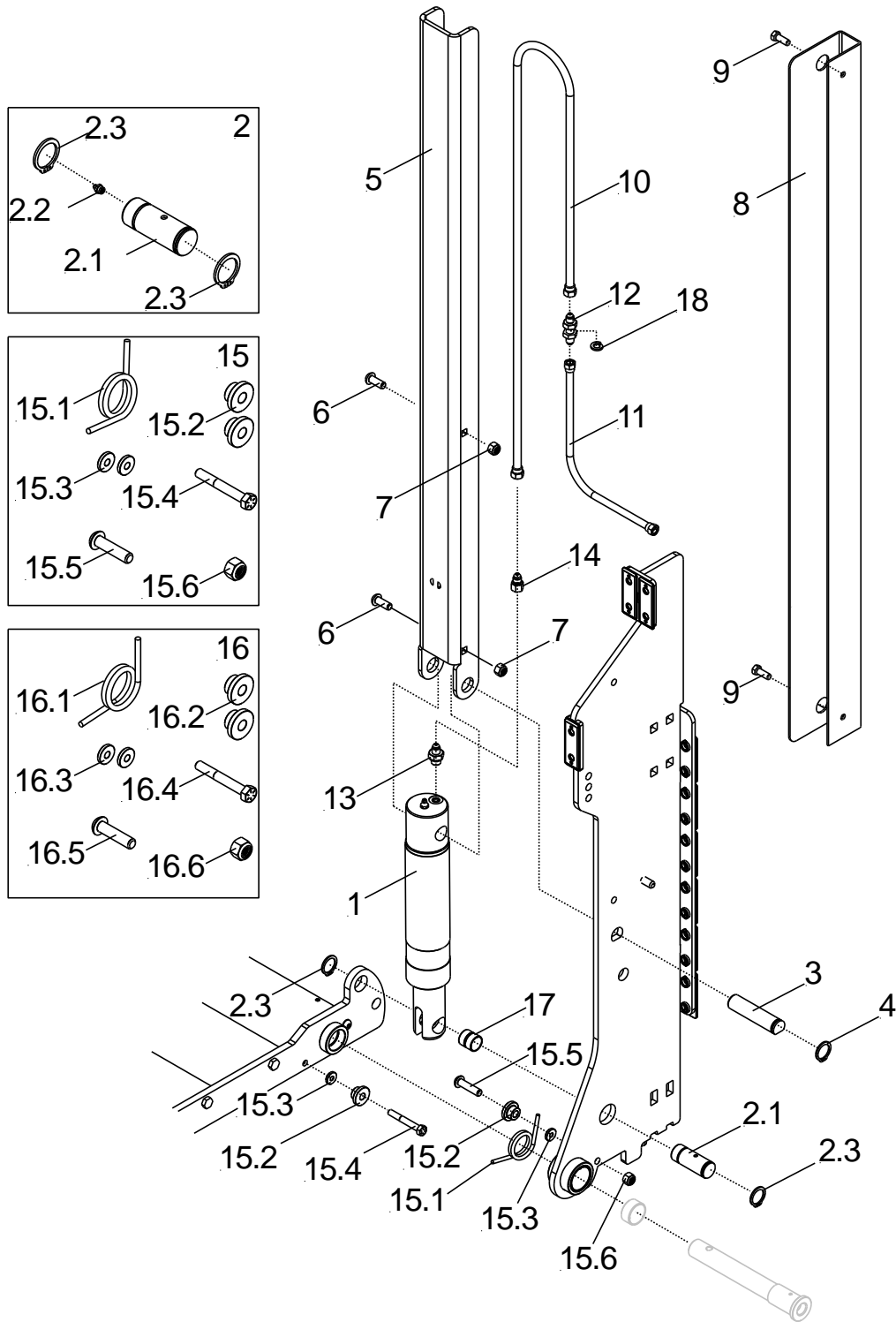
15- CYLINDER			
NO.	DESCRIPTION	PART NO.	QTY.
1	CYLINDER, MBB, PISTON DIAMETER, 2 3/8" (A), PISTON ROD 1 3/16" (B), [PRIOR 2012]	2020483	1
	CYLINDER, USA, PISTON DIAMETER, 2 5/8" (A), PISTON ROD 1 3/8" (B), [AFTER 2012]	40-0715-100	1
2	VALVE, DOUBLE LOCKING	1284466	2
3	HARNESS, SOLENOID, WIRE ASSEMBLY, RELEASE VALVE	70-0709-908	2
4	ADAPTER, 1/4" BSPP, MALE - 3/8" JIC, MALE, ZINC	EA1010	1
5	ADAPTER, 1/4" BSPP, MALE - 1/4" JIC, MALE, ZINC	EA6018	1
6	HOSE, 3/8" JIC FEMALE - 3/8" JIC FEMALE, 18" L	EH13726	1
7	HOSE, 1/4" JIC FEMALE - 1/4" JIC FEMALE, 10" L	EH13727	1
8	SHOE, CYLINDER HEAD	2023021	1
9	KIT, WHEEL, NYLON, BLACK	2003774	1
9.1	SLEEVE, M9X12X40MM	EK3301	1
9.2	HEX HEAD CAP SCREW, M8X1.25X80MM	ES 887	1
9.3	WHEEL, NYLON-BLACK	99-8814-170	1
9.4	WASHER, FLAT, M8	EK2929	1
9.5	NUT, M8X1.25 NYLOCK	EM 705	1
10	SPROCKET, 15T ORANGE (1600, 2000, 2500)	01-0709-075	1
	SPROCKET, 15T BLACK (3000)	04-0709-015	1
11	PIN, WITH HAIR CLIP	04-0709-14A	1
12	NUT, LOCK, M30X2	67271785	1
13	CHAIN ANCHOR, ADJUSTABLE, 5/8-11X4.50"	04-0709-101	2
14	NUT, CHAIN ANCHOR, 5/8-11, GR.5, ZINC	ES3514	4
15	KIT, PLUG, CYLINDER (O-RING +INSTRUCTIONS)	75-0715-000	1
16	TUBING, PVC, 1/4" ID X 28", BLACK	EH13681	1

Palfinger Liftgates, LLC.
 15939 Piuma Ave, Cerritos, CA 90703
 Tel: (888) 774-5844, Fax: (562) 924-8318

Palfinger Liftgates, LLC.
 572 Whitehead Road, Trenton, NJ 08619
 Tel: (609) 587-4200, Fax: (609) 587-4201

Built to Deliver - Every Time

16 Open-Close Cylinder

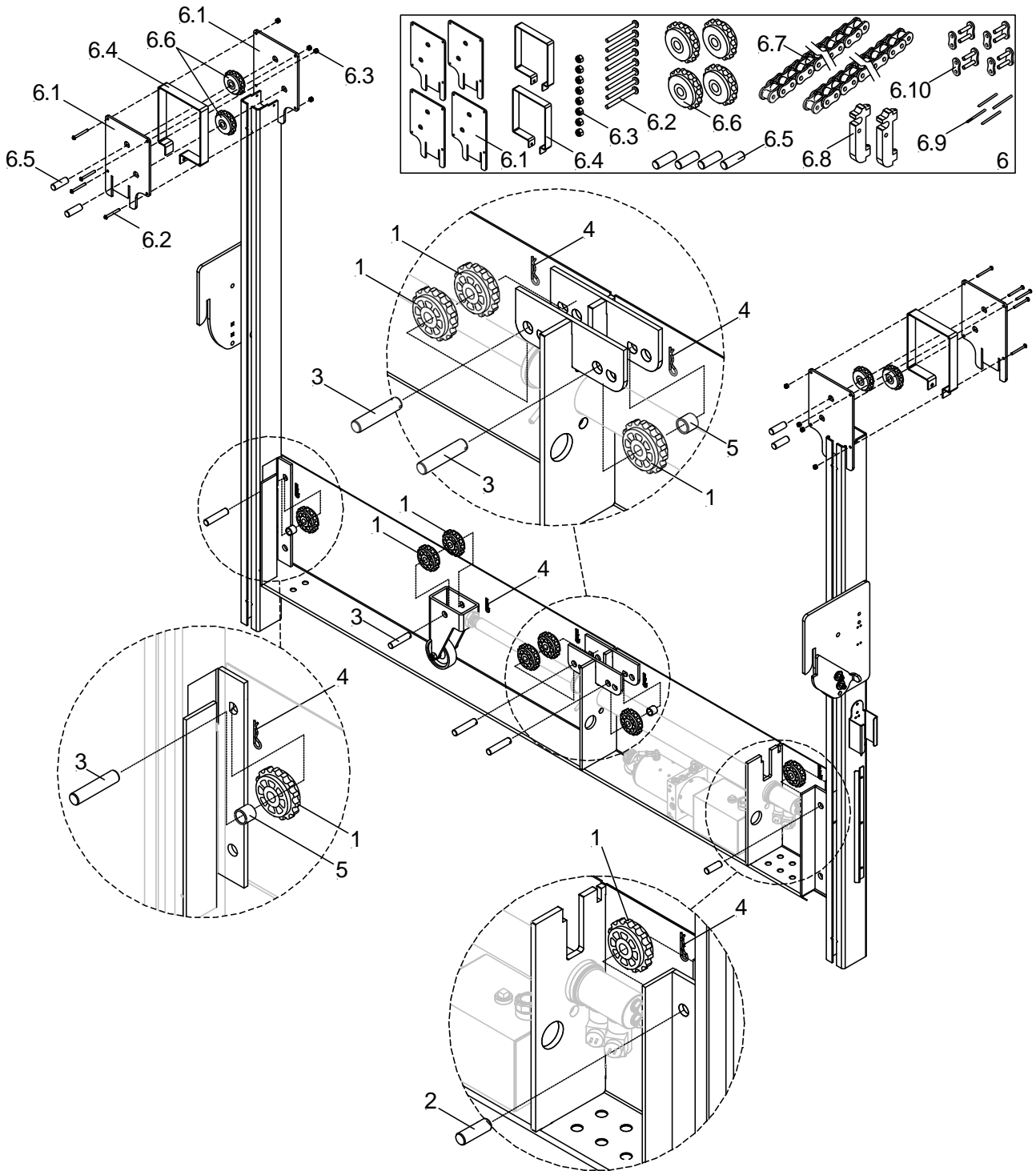


Built to Deliver - Every Time

16 – OPEN CLOSE CYLINDER			
NO.	DESCRIPTION	PART NO.	QTY.
1	CYLINDER, POWER CLOSING	2020443	1
2	KIT, PIN, LOWER END OF CYLINDER, W/ HARDWARE	31-0709-010	1
2.1	PIN, LOWER CYLINDER	31-0709-011	1
2.2	ZERK FITTING M10X1	EA-005	1
2.3	SNAP RING	EQ1671	1
3	PIN, UPPER, CLOSURE CYLINDER, 7/8", ZINC	00-0709-002	1
4	RETAINING RING, E-STYLE, 7/8" DIAMETER SHAFT	EQ1662	1
5	MOUNT BRACKET, POWER CLOSE CYLINDER, HOSE GUIDE	04-0709-105	1
6	ROUND HEAD SQUARE NECK BOLT, 3/8-16 X 1.25	ES3446	1
7	NUT, 3/8-16, NYLOCK	EM 695	1
8	HOSE GUARD COVER	04-0709-010	1
9	HEX WASHER HEAD SCREW, 5/16-18 X 3/4"	1030064	1
10	HOSE, 1/4", 44" LENGTH, 7/16" JIC-F	EH13728	1
11	HOSE, 1/4", 10" LENGTH, 7/16" JIC-F	EH13727	1
12	FITTING, BULKHEAD, 7/16" JIC-M (FOR 1/4" HOSE)	EA6202	1
13	FITTING, 1/4" BSPP-M TO 7/16" JIC-M (TO 1/4" HOSE)	EA6018	1
14	RESTRICTOR, 0.022", 7/16" JIC-F TO 7/16" JIC-M (TO 1/4" HOSE)	3121356	1
	RESTRICTOR, 0.031", 7/16" JIC-F TO 7/16" JIC-M (TO 1/4" HOSE) PF<60"	EA6220	1
	RESTRICTOR, 0.040", 7/16" JIC-F TO 7/16" JIC-M (TO 1/4" HOSE) PF>60"	EA6219	1
15	KIT, KICKER SPRING, LEFT SIDE (SHOWN)	75-0717-000	1
15.1	KICKER SPRING, LEFT SIDE	00-0709-016	1
15.2	BUSHING, LATCH, ZINC	23-0709-008	2
15.3	WASHER, FLAT, M10, DIN 9021-A4	EK3125M	2
15.4	HEXAGON SCREW, M10X80MM, DIN 933- 8.8	ES 055	1
15.5	BUTTON HEAD CAP SCREW, 3/8-16X1.5", GR. 5, ZINC	ES3439	2
15.6	NUT, NYLOCK 3/8-16 GR. 5, ZINC	EM-708	1
16	KIT, KICKER SPRING, RIGHT SIDE	75-0717-001	1
16.1	KICKER SPRING, RIGHT SIDE	00-0709-017	1
16.2	BUSHING, LATCH, ZINC	23-0709-008	2
16.3	WASHER, FLAT, M10, DIN 9021-A4	EK3125M	2
16.4	HEXAGON SCREW, M10X80MM, DIN 933- 8.8	ES 055	1
16.5	BUTTON HEAD CAP SCREW, 3/8-16X1.5", GR. 5, ZINC	ES3439	2
16.6	NUT, NYLOCK 3/8-16 GR. 5, ZINC	EM-708	1
17	BUSHING, 36MM IDX 40MM OD X41MM L, BRONZE	ELG1033	1
18	WASHER, SPLIT LOCK, M12	EK2806	1

Built to Deliver - Every Time

17 Sprockets



Palfinger Liftgates, LLC.
15939 Piuma Ave, Cerritos, CA 90703
Tel: (888) 774-5844, Fax: (562) 924-8318

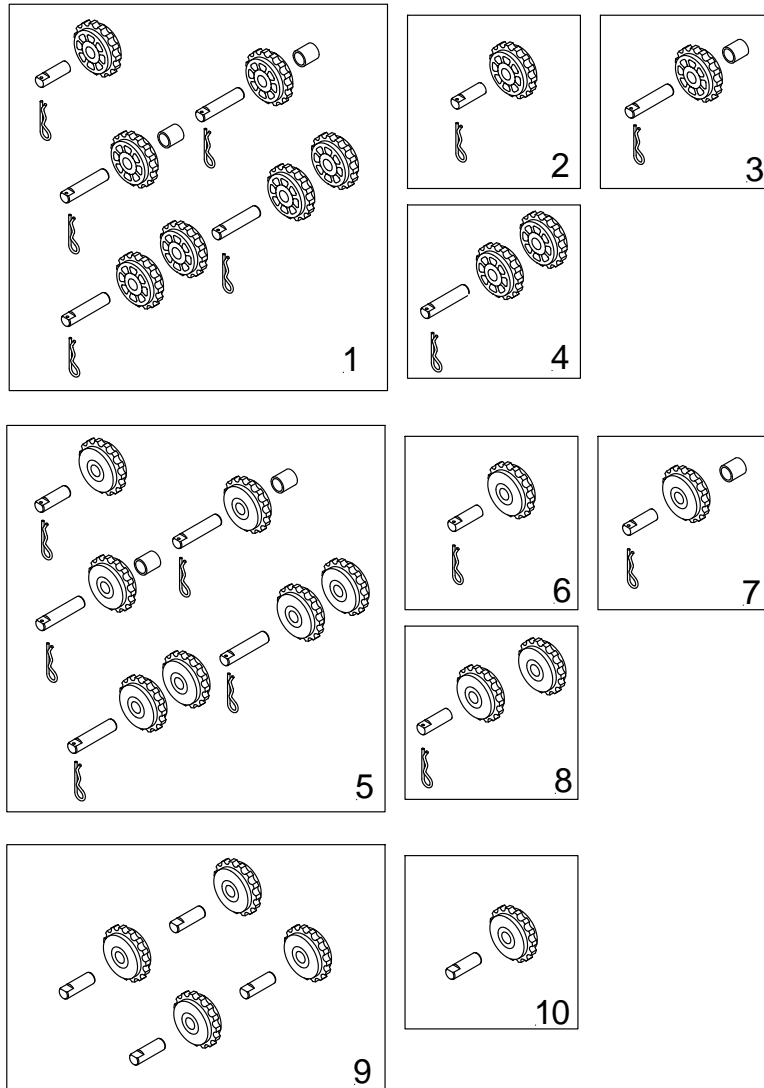
Palfinger Liftgates, LLC.
572 Whitehead Road, Trenton, NJ 08619
Tel: (609) 587-4200, Fax: (609) 587-4201

Built to Deliver - Every Time

17- SPROCKETS			
NO.	DESCRIPTION	PART NO.	QTY.
1	SPROCKET, 15-TOOTH, ORANGE, (1600/2000/2500)	01-0709-075	1
	SPROCKET, 15-TOOTH, BLACK, (3000)	04-0709-015	1
2	PIN, SHORT, $\phi 3/4$ "X2.31"	04-0709-013	1
3	PIN, LONG, $\phi 3/4$ "X3.43"	04-0709-014	1
4	PIN, HAIR, CLIP, 1/8"X 2.5"	EQ1673	1
5	SPACER, PVC, $\phi 1.0$ "OD X 0.82"ID X 1.15"L	04-0717-010	1
6	KIT, ABOVE FLOOR, SPROCKETS, HARDWARE	05-0709-100	1
6.1	PLATE, SPROCKET MOUNT	05-0709-005	4
6.2	BUTTON HEAD CAP SCREW, 1/4-20 X 2.25", GR. 5, ZINC	ES3527	8
6.3	NUT, NYLOCK, 1/4-20, GR. 5, ZINC	EM 713	8
6.4	CHAIN GUARD	05-0709-008	2
6.5	PIN, SPROCKET, $\phi 3/4$ "X1.813"	05-0709-007	4
6.6	SPROCKET, 15-TOOTH, BLACK	04-0709-015	4
6.7	CHAIN, EXTENSION, 83.5"L	1419669	2
6.8	CHAIN ANCHOR	10-0709-009	2
6.9	PIN, SLOTTED, $\phi 1/8$ "X1"	EQ1635	4
6.10	MASTER LINK, #60, WITH COTTER PIN	EZ7043	4

Built to Deliver - Every Time

18 Sprocket Kits



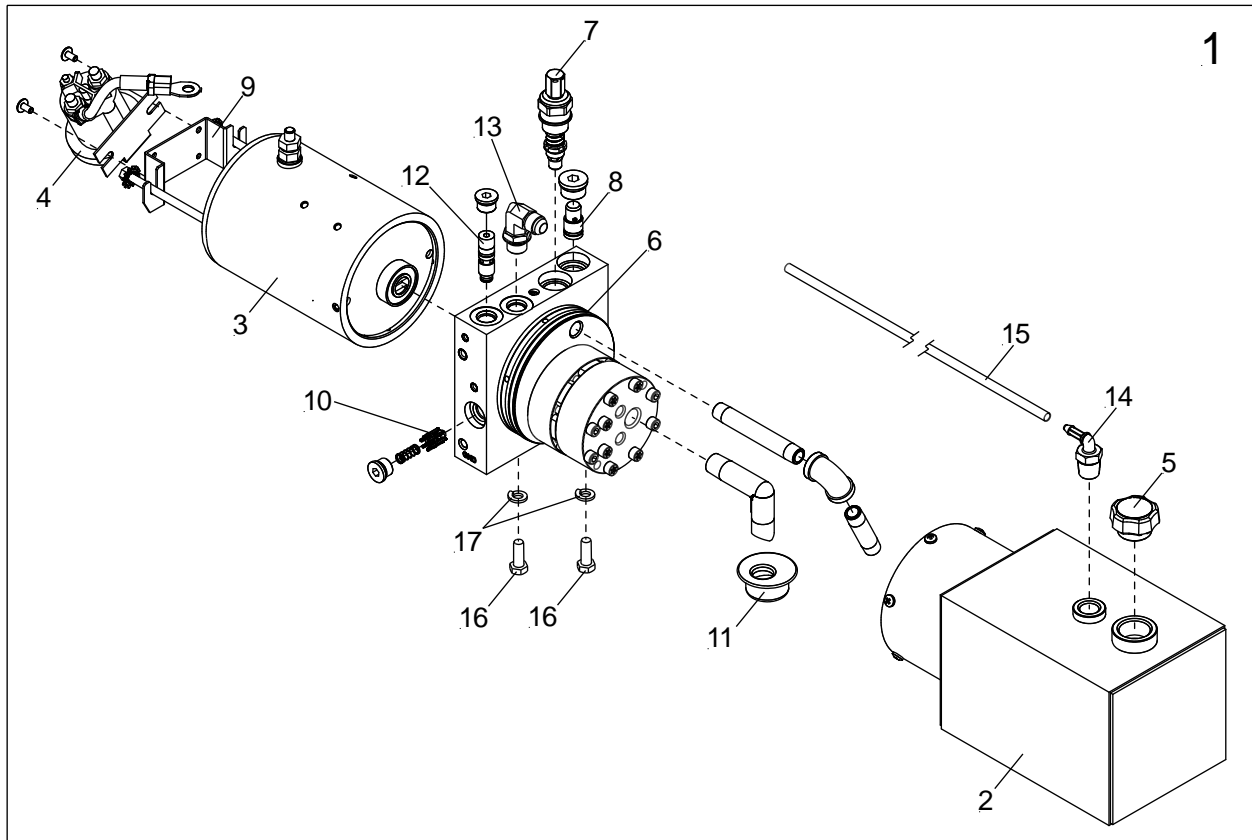
18- SPROCKET KITS			
NO.	DESCRIPTION	PART NO.	QTY.
1	KIT, MASTER, STANDARD, SPROCKETS, PINS, ORANGE (1600/2000/2500)	75-0716-100	1
2	KIT, ONE, SERVICE, SPROCKETS, PINS, ORANGE (1600/2000/2500)	75-0716-101	1
3	KIT, TWO, SERVICE, SPROCKETS, PINS, ORANGE (1600/2000/2500)	75-0716-102	1
4	KIT, THREE, SERVICE, SPROCKETS, PINS, ORANGE (1600/2000/2500)	75-0716-103	1
5	KIT, MASTER, STANDARD, SPROCKETS, PINS, BLACK (3000)	75-0716-200	1
6	KIT, ONE, SERVICE, SPROCKETS, PINS, BLACK (3000)	75-0716-201	1
7	KIT, TWO, SERVICE, SPROCKETS, PINS, BLACK (3000)	75-0716-202	1
8	KIT, THREE, SERVICE, SPROCKETS, PINS, BLACK (3000)	75-0716-203	1
9	KIT, MASTER, ABOVE FLOOR, SPROCKETS, PINS, BLACK	75-0716-300	1
10	KIT, SERVICE, ABOVE FLOOR, SPROCKETS, PINS, BLACK	75-0716-204	1

Palfinger Liftgates, LLC.
 15939 Piuma Ave, Cerritos, CA 90703
 Tel: (888) 774-5844, Fax: (562) 924-8318

Palfinger Liftgates, LLC.
 572 Whitehead Road, Trenton, NJ 08619
 Tel: (609) 587-4200, Fax: (609) 587-4201

Built to Deliver - Every Time

19 Hydraulic Power Unit – ILM+



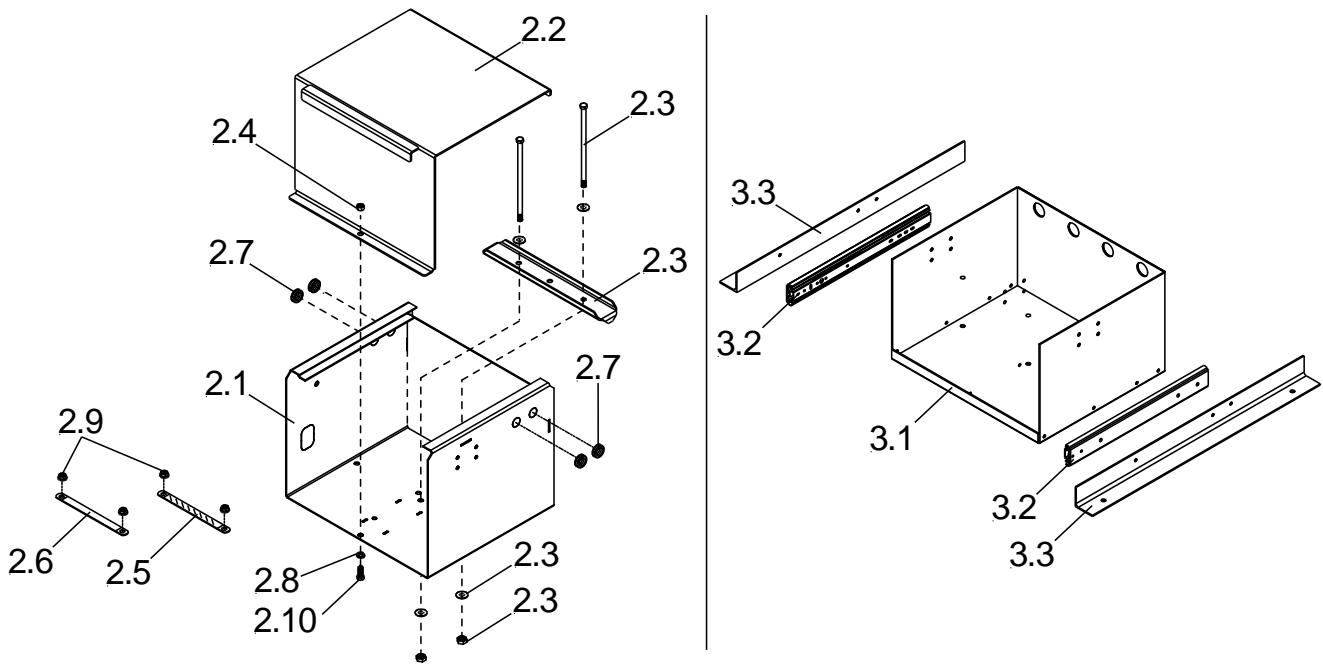
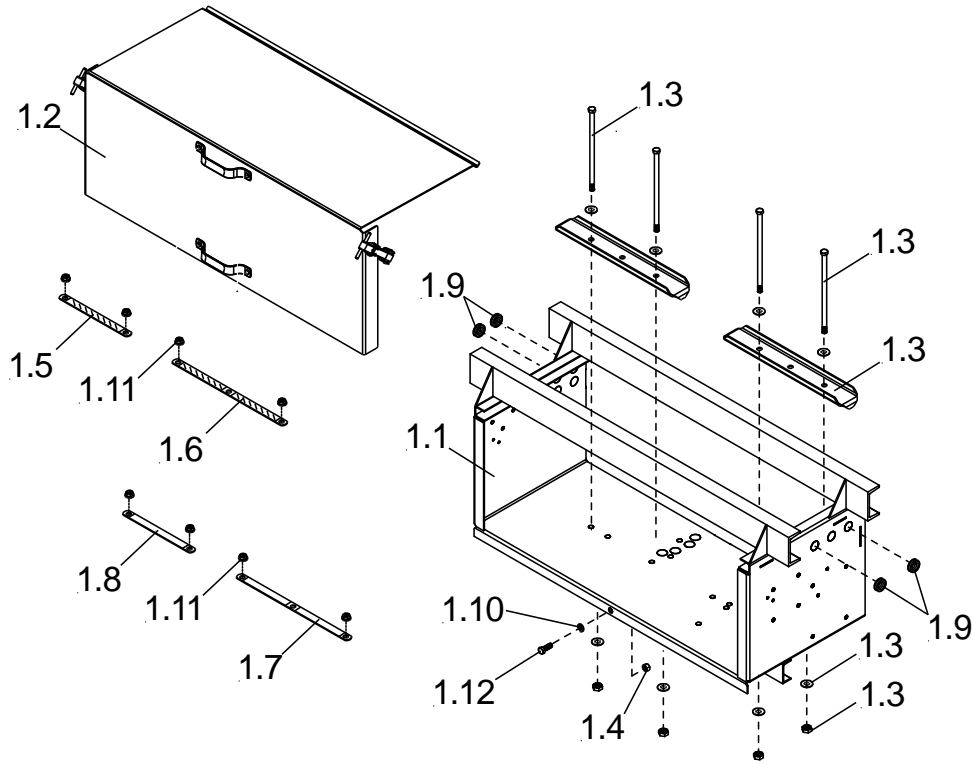
19- HYDRAULIC POWER UNIT - STANDARD			
NO.	DESCRIPTION	PART NO.	QTY.
1	POWER PACK, ASSEMBLY, 1600-2500 LBS	50-0709-954	1
	POWER PACK, ASSEMBLY, 3000 LBS	50-0709-953	1
2	RESERVOIR, TANK STEEL - 2.2 LITER	50-0709-911	1
3	MOTOR - MONARCH 2500 LBS	50-0709-925	1
	MOTOR - MONARCH 3000 LBS	50-0709-910	1
4	SOLENOID, MOTOR (AFTER 20XX)	80-1411-102	1
5	BREATHER CAP	50-0709-914	1
6	OIL RESERVOIR O-RING	50-0709-913	1
7	PRESSURE RELIEVE VALVE	50-0709-915	1
8	COMP VALVE, 2.75 GPM	51-0709-027	1
9	BRACKET SOLENOID	50-0709-912	1
10	CHECK VALVE	ON REQUEST	1
11	SCREEN FILTER	50-0709-917	1
12	VALVE, CHECK PILOT	50-0709-916	1
13	FITTING, ELBOW, 90°, 3/8", JIC X 3/8" BSPP	EA6190	1
14	FITTING, ELBOW, 90°, 3/8", NPT TO 1/4" BARBED TUBE, NYLON	EA6194	1
15	TUBING, PVC, 1/4" ID X 28", BLACK	EH13681	1
16	HEX HEAD CAP SCREW, 3/8-16 X 1", GR. 5, ZINC	ES3446	2
17	WASHER, LOCK, 3/8", ZINC	EK3238	2

Palfinger Liftgates, LLC.
 15939 Piuma Ave, Cerritos, CA 90703
 Tel: (888) 774-5844, Fax: (562) 924-8318

Palfinger Liftgates, LLC.
 572 Whitehead Road, Trenton, NJ 08619
 Tel: (609) 587-4200, Fax: (609) 587-4201

Built to Deliver - Every Time

20 Battery Box Kits

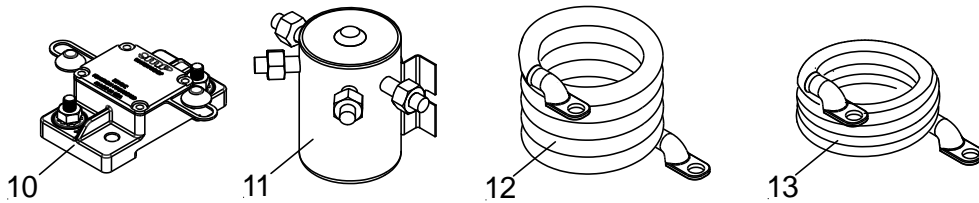
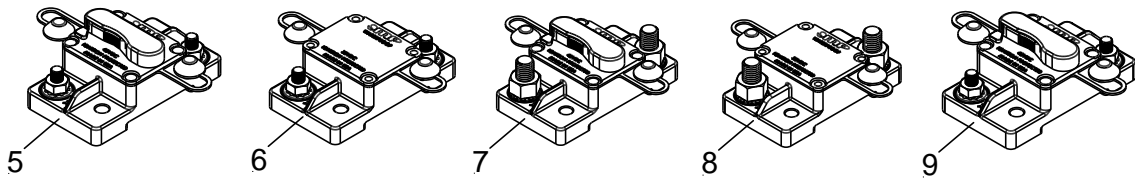
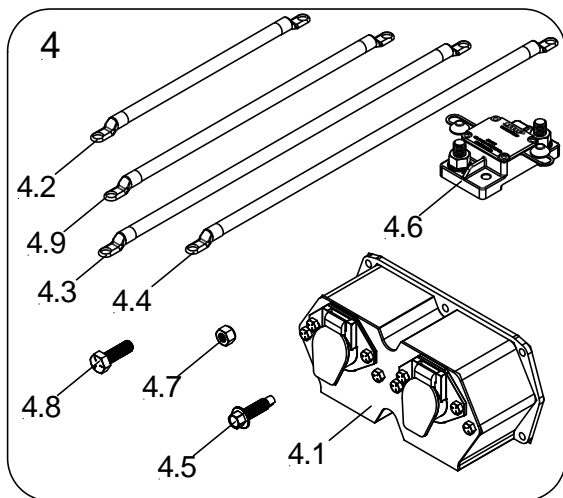
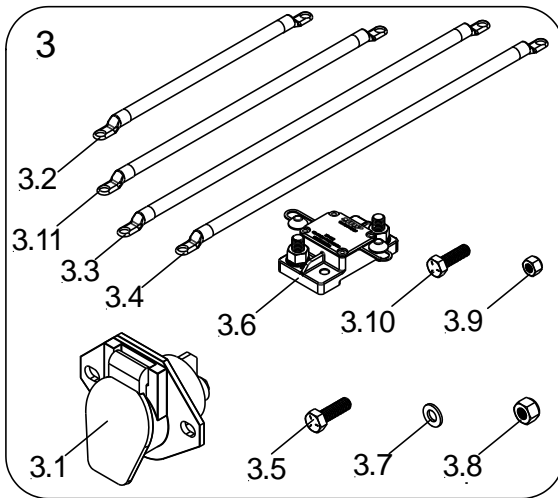
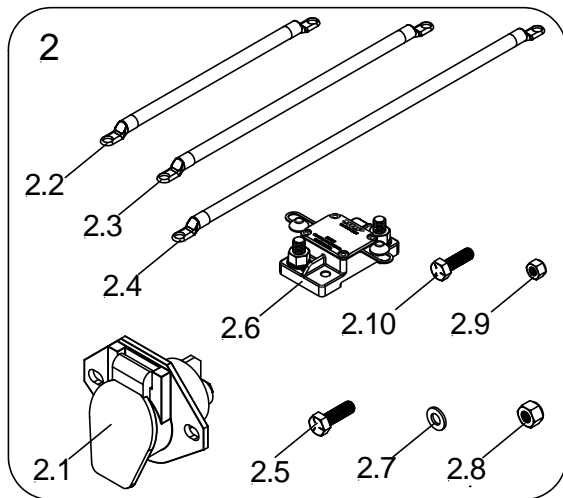
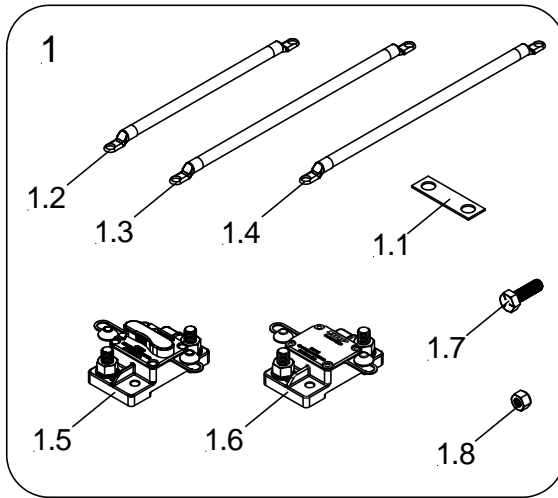


Built to Deliver - Every Time

20 – BATTERY BOX KITS			
NO.	DESCRIPTION	PART NO.	QTY.
1	KIT, 4-BATTERY BOX	50-8016-100	1
1.1	BATTERY BOX BASE, ASSEMBLY, LARGE	50-8016-001	1
1.2	BATTERY BOX LID ASSEMBLY	60-7515-012	1
1.3	KIT, 2-BATTERY HOLD DOWN	60-7515-151	2
1.4	NUT, 3/8"-16, GR.5	EM 532	1
1.5	BUS BAR, 2-BATTERY, BLACK	KET05916A	1
1.6	BUS BAR, 3-BATTERY, BLACK	KET05961A	1
1.7	BUS BAR, 3-BATTERY, RED	KET05962A	1
1.8	BUS BAR, 2-BATTERY, RED	KET06062A	1
1.9	GROMMET, 7/8" DIAMETER HOLE	EK3504	1
1.10	WASHER, SPLIT LOCK, 3/8"	EK3238	1
1.11	NUT, SERRATED, 3/8"-16; STAINLESS STEEL	EM 781	1
1.12	HEX HEAD CAP SCREW, 3/8"-16X1", GR.5, ZINC	ES3446	1
2	KIT, 2-BATTERY BOX	50-8016-200	1
2.1	BATTERY BOX, BASE, ASEMBLY, 2-BATTERY	50-8016-201	1
2.2	BATTERY BOX, LID, 2 BATTERY	60-1211-225	1
2.3	KIT, 2-BATTERY HOLD DOWN	60-7515-151	1
2.4	NUT, 3/8"-16 GR. 5	EM 532	1
2.5	BUS BAR, 2-BATTERY, BLACK	KET05916A	1
2.6	BUS BAR, 2-BATTERY, RED	KET06062A	1
2.7	GROMMET, 7/8" DIAMETER HOLE	EK3504	1
2.8	WASHER, SPLIT LOCK, 3/8"	EK3238	1
2.9	NUT, SERRATED, 3/8"-16, STAINLESS STEEL	EM 781	1
2.10	HEX HEAD CAP SCREW, 3/8"-16X1", GR.5, ZINC	ES3446	1
3	KIT, 2-BATTERY BOX, SLIDE OUT TRAY	2-000051A	1
3.1	BATTERY BOX BASE	2-00060	1
3.2	SLIDE, STEEL, 16"	2-10400	1
3.3	ANGLE, 2"X2"X26.5"X1/8", STEEL	50-8017-003	1
4	BATTERY, LEAD/ACID, GROUP 31	3-49999	1
5	BATTERY, AGM, STANDARD, GROUP 31	3-49998	1
6	BATTERY, AGM, PREMIUM, GROUP 31	3-50003	1

Built to Deliver - Every Time

21 Trailer/Truck Charge Kits



Palfinger Liftgates, LLC.
15939 Piuma Ave, Cerritos, CA 90703
Tel: (888) 774-5844, Fax: (562) 924-8318

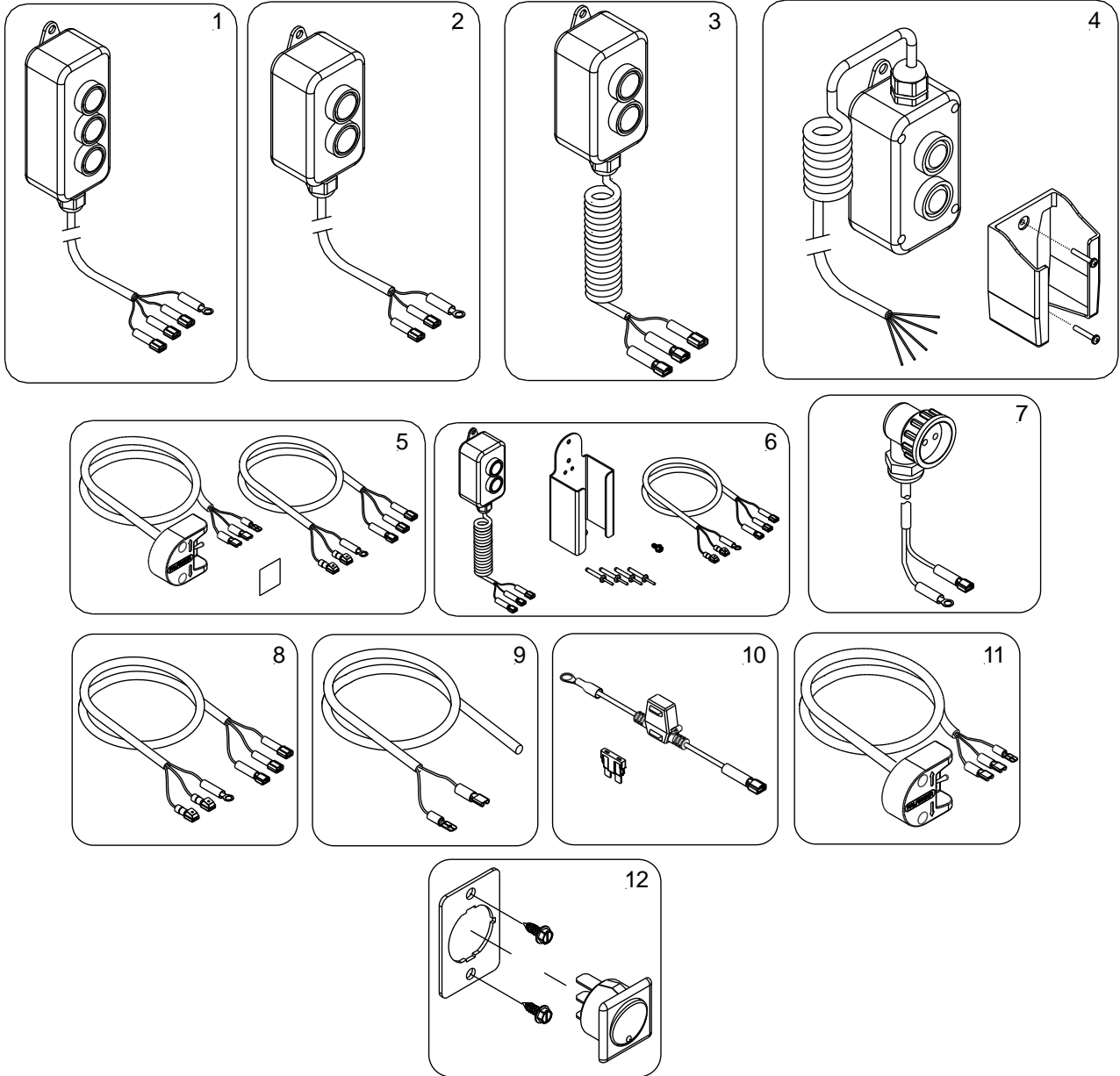
Palfinger Liftgates, LLC.
572 Whitehead Road, Trenton, NJ 08619
Tel: (609) 587-4200, Fax: (609) 587-4201

Built to Deliver - Every Time

21- TRAILER/TRUCK CHARGE KITS			
NO.	DESCRIPTION	PART NO.	QTY.
1	KIT, TRUCK, 40FT ELECTRICAL	70-1115-100	1
1.1	BUS BAR	70-8013-025	1
1.2	CABLE, 2GA, 18", 3/8" LUGS, RED	KET05919A	1
1.3	CABLE, 2GA, 74", 3/8" LUGS, BLACK	KET05925A	1
1.4	CABLE, 2GA; 480", 3/8" LUGS, RED	KET06314A	1
1.5	CIRCUIT BREAKER, 175A, 3/8" STUDS, MANUAL RESET	70-8114-009	1
1.6	CIRCUIT BREAKER, 175A, 3/8" STUDS, AUTO RESET	70-8114-008	1
1.7	HEX HEAD CAP SCREW, 1/4-20X1.0", GR.5, ZINC	ES3443	1
1.8	NUT, NYLOCK 1/4-20, ZINC	EM 722	1
2	KIT, TRAILER, SINGLE POLE	70-1115-101	1
2.1	SOCKET; SINGLE POLE	70-8015-019	1
2.2	CABLE, 2GA, 18", 3/8" LUGS, RED	KET05919A	1
2.3	CABLE, 2GA, 74", 3/8" LUGS, BLACK	KET05925A	1
2.4	CABLE, 2GA; 480", 3/8" LUGS, RED	KET06314A	1
2.5	HEX HEAD CAP SCREW, 5/16-18X1"	ES3724	1
2.6	CIRCUIT BREAKER 175A, 3/8" STUDS, AUTO RESET	70-8114-008	1
2.7	WASHER, FLAT, 5/16"	EK3217	1
2.8	NUT, NYLOCK, 5/16-18	EM 710	1
2.9	NUT, NYLOCK, 1/4-20 ZINC	EM 722	1
2.10	HEX HEAD CAP SCREW, 1/4-20X1.0", GR.5, ZINC	ES3443	1
3	KIT, TRAILER, DUAL POLE	70-1115-102	1
3.1	SOCKET, DUAL POLE	70-8015-018	1
3.2	CABLE, 2GA, 18", 3/8" LUGS, RED	KET05919A	1
3.3	CABLE, 2GA, 480", 3/8" LUGS, BLACK	KET05701A	1
3.4	CABLE, 2GA; 480", 3/8" LUGS, RED	KET06314A	1
3.5	HEX HEAD CAP SCREW, 5/16-18X1"	ES3724	1
3.6	CIRCUIT BREAKER 175A, 3/8" STUDS, AUTO RESET	70-8114-008	1
3.7	WASHER, FLAT, 5/16"	EK3217	1
3.8	NUT, NYLOCK, 5/16-18	EM 710	1
3.9	NUT, NYLOCK, 1/4-20 ZINC	EM 722	1
3.10	HEX HEAD CAP SCREW, 1/4-20X1.0", GR.5, ZINC	ES3443	1
4	KIT, TRAILER, DUAL NOSEBOX	70-1115-103	1
4.1	NOSEBOX, SINGLE & DUAL POLE SOCKET	70-8015-020	1
4.2	CABLE, 2GA, 18", 3/8" LUGS, RED	KET05919A	1
4.3	CABLE, 2GA, 480", 3/8" LUGS, BLACK	KET05701A	1
4.4	CABLE, 2GA; 480", 3/8" LUGS, RED	KET06314A	1
4.5	HEX HEAD CAP SCREW, TAPPING, 5/16-18X1.25"	ES3733	1
4.6	CIRCUIT BREAKER 175A, 3/8" STUDS, AUTO RESET	70-8114-008	1
4.7	NUT, NYLOCK 1/4-20 ZINC	EM 722	1
4.8	HEX HEAD CAP SCREW, 1/4-20X1.0", GR.5, ZINC	ES3443	1
5	CIRCUIT BREAKER 175A, 1/4" STUDS, MANUAL RESET	70-8115-000	1
6	CIRCUIT BREAKER 175A, 1/4" STUDS, AUTO RESET	70-8115-001	1
7	CIRCUIT BREAKER 150A, 3/8" STUDS, MANUAL RESET	70-8115-002	1
8	CIRCUIT BREAKER 150A, 3/8" STUDS, AUTO RESET	70-8115-003	1
9	CIRCUIT BREAKER 150A, 1/4" STUDS, MANUAL RESET	70-8115-004	1
10	CIRCUIT BREAKER 150A, 1/4" STUDS, AUTO RESET	70-8115-005	1
11	KIT, BATTERY ISOLATOR SOLENOID, 12V, TRUCK ONLY	70-8016-020	1
12	CABLE, 2GA., 30FT., 3/8" LUGS, RED	4250093	1
13	CABLE, 4GA., 25FT., 3/8" LUGS, RED	1474336	1

Built to Deliver - Every Time

22 Controls



Built to Deliver - Every Time

22 – CONTROLS			
NO.	DESCRIPTION	PART NO.	QTY.
1	3-BUTTON MAIN, OUTSIDE CONTROL, STRAIGHT CORD, YELLOW	70-0709-901	1
2	2-BUTTON MAIN, OUTSIDE CONTROL, STRAIGHT CORD, YELLOW	70-0709-902	1
3	2-BUTTON MAIN, INSIDE CONTROL, COIL CORD, ORANGE	70-0709-903	1
4	KIT, 2-BUTTON HAND CONTROL WITH COIL CORD & HOLSTER	72916816	1
4.1	2-BUTTON HAND CONTROL, COIL CORD	70-1116-001	1
4.2	HOLSTER, HAND CONTROL, PLASTIC	70-1116-002	1
5	KIT, TOGGLE SWITCH, INSIDE	70-0709-930	1
5.1	TOGGLE SWITCH	2004565	1
5.2	HARNESS, ASSEMBLY, REMOTE EXTENSION, 8 FT.	70-0709-906	1
5.3	DECAL, OPERATING INSTRUCTIONS	ATG-UD	1
6	KIT, 2-BUTTON REMOTE, COIL CORD, ORANGE	70-0709-900	1
6.1	2-BUTTON MAIN, INSIDE CONTROL, COIL CORD, ORANGE	70-0709-903	1
6.2	HOLSTER, HAND CONTROL, HEAVY DUTY, METAL	80-1113-505	1
6.3	HARNESS, ASSEMBLY, REMOTE EXTENSION, 8 FT.	70-0709-906	1
6.4	SCHEMATIC, MANUAL CLOSING	70-0709-904	1
6.5	SCHEMATIC, POWER CLOSING	70-0709-905	1
6.6	PAN HEAD SCREW, #10-32 X 3/4"	ES3472	1
7	HARNESS ASSEMBLY, SOLENOID RELEASE VALVE, 42"	70-0709-908	1
8	HARNESS, ASSEMBLY, REMOTE EXTENSION, 8 FT.	70-0709-906	1
9	HARNESS, ASSEMBLY, CAB SHUT OFF SWITCH, 30 FT.	70-0709-918	1
10	FUSE HOLDER, WITH 10 AMP FUSE	70-0709-907	1
11	TOGGLE SWITCH	2004565	1
12	KIT, CAB SHUTOFF SWITCH	70-0312-100	1
12.1	MOUNTING BRACKET	70-1012-001	1
12.2	SWITCH, ROCKER	70-1012-002	1
12.3	HARNESS, 3-WIRE, 46 FT.	2025982	1
12.4	SHEET METAL SCREW, #8X1/2", HEX WASHER ZINC	ES3748	1
12.5	DECAL	ATG-CAB	1
12.6	JUMPER WIRE, GROUND	70-0312-002	1

Built to Deliver - Every Time

23 Decals

OPERATING INSTRUCTIONS
Read all Decals and Owner's Manual before operating liftgate.

ILM MANUAL CLOSING

UP (Raising Platform)

- "UP" button raises platform from ground to bed.
- "DOWN" button lowers platform from bed to ground.

DOWN (Lowering Platform)

- Platform is closed and stored tight into the storage latch with hydraulic power.
- Pad lock is used on safety latch to prevent unauthorized use.
- Never release platform on to safety latch. This latch is for EMERGENCY situations ONLY.

UP (Raising Platform)

- Be certain all pinch points and areas around platform are clear before operating liftgate.
- Hold safety latch to the open position and push "DOWN" button until platform clears storage latching system.
- With platform clear of latching system, and positioned to firmly grasp ramp end, pull platform towards ground.

DOWN (Lowering Platform)

- Be certain all pinch points and areas around platform are clear before operating liftgate.
- With platform in the loading position, and positioned just above knee height, firmly grasp ramp end and pull up closing until platform touches striker pads.
- With platform folded up and touching striker pads, push the "UP" button until platform is powered tight into storage latch.
- Never release platform on to safety latch. This latch is for EMERGENCY situations ONLY.

ATG-OPILM-MC

OPERATING INSTRUCTIONS
Read all Decals and Owner's Manual before operating liftgate.

ILM POWER CLOSING

UP (Raising Platform)

- "UP" button raises platform from ground to bed.
- "DOWN" button lowers platform from bed to ground.
- "CLOSE" buttons close platform from loading position to stored position.
- "OPEN" buttons open platform from stored position to loading position.

DOWN (Lowering Platform)

- Platform is closed and stored UP tight into the storage latch with hydraulic power.
- Pad lock is used on safety latch to prevent unauthorized use.
- Never release platform on to safety latch. This latch is for EMERGENCY situations ONLY.

UP (Raising Platform)

- Be certain all pinch points and areas around platform are clear before operating liftgate.
- Hold safety latch to the open position and push "DOWN" button until platform clears storage latching system.
- With platform clear of latching system, hold the "OPEN" buttons to open platform to loading position.

DOWN (Lowering Platform)

- Be certain all pinch points and areas around platform are clear before operating liftgate.
- With platform in the loading position, hold the "CLOSE" buttons until platform touches the striker pads.
- With platform folded up and touching striker pads, push the "UP" button until platform is powered tight into storage latch.
- Never release platform on to safety latch. This latch is for EMERGENCY situations ONLY.

ATG-OPILM-PC

OPERATING INSTRUCTIONS
Read all Decals and Owner's Manual before operating liftgate.

ILM - MANUAL CLOSING

UP DOWN

ATG-SWILM-MC

OPERATING INSTRUCTIONS
Read all Decals and Owner's Manual before operating liftgate.

ILM - POWER CLOSING

UP CLOSE DOWN OPEN

ATG-SWILM-PC

URGENT WARNING

BEFORE OPERATING LIFT, BE SURE YOU UNDERSTAND:

1. Improper operation of this lift gate can result in serious personal injury. Do not operate unless you have been properly instructed, have read, and are familiar with, the operating instructions. If you do not have a copy of the instructions please obtain them from your employer, distributor or dealer, as appropriate, before you attempt to operate the lift gate.
2. Be certain the vehicle is properly and securely braked before using the liftgate.
3. Always inspect this lift gate for maintenance or damage before using it. If there are signs of improper maintenance, damage to vital parts or a slippery platform surface, do not use the lift gate. Do not attempt your own repairs, unless you are specifically trained.
4. Do not overload. See the Mfg. Literature and/or Rating Label on the unit for the rated load. Remember that this limit applies to both raising and lowering operations.
5. Each load should be placed in a stable position as near as possible to the center of the platform.
6. Never allow yourself, a helper, or a bystander to stand in a position where an unstable load might fall on them. Do not allow any part of your or your helper's body to be placed under, through, or around any portion of the moving lift gate, or in a position that would trap them between any parts when the lift gate is operated.
7. This lift gate is intended for loading and unloading of cargo only. Do not use this lift gate for anything but it's intended use. The lift gate is not equipped with a back up system to prevent falling in the event of a failure.

ATG-ILMGRNCLRL

WARNING

LIFTGATE HAZARDS CAN RESULT IN CRUSHING OR FALLING

KEEP HANDS AND FEET CLEAR OF PINCH POINTS

IF RIDING LIFTGATE, MAKE SURE LOAD IS STABLE AND FOOTING IS SOLID

READ AND UNDERSTAND ALL INSTRUCTIONS AND WARNINGS BEFORE USE.

WARNING

ALWAYS STAND CLEAR OF PLATFORM AREA

CAUTION

MAXIMUM LOAD CAPACITY
XXXX LBS.

CENTER LOAD ON PLATFORM TO AVOID PERSONAL OR PROPERTY DAMAGE

NOTICE

ELECTRICAL SYSTEM IS PROTECTED BY A RESETTABLE CIRCUIT BREAKER. SEE OWNER'S MANUAL AND DECAL LOCATED AT THE BATTERY.

NOTICE

Cutting off RAILS for GROUND CLEARANCE
Cut bottom of RAILS for 18" of ground clearance.

INSIDE surfaces to be chamfered to not cause DAMAGE to slide bearings as they extend below bottom of cut RAIL.

See ILM plus Installation Manual for details.

ATG-ILMGRNCLRL

NOTICE

STORAGE LATCH
POWER UP TIGHT FOR STORAGE & TRANSIT

ATG-ILMSTORAGE

NOTICE

DO NOT apply grease to columns

Refer to the Owner's Manual for proper lubrication procedures, or contact Customer Support at 888-774-5844
PN 85-0713-100

NOTICE

ELECTRICAL SYSTEM PROTECTED BY RESETTABLE CIRCUIT BREAKER
TO RESET - PUSH RESET TAB IN

NOTICE

UP
DOWN

NOTICE

LIFT GATE SHUT-OFF TO BE TURNED OFF WHEN LIFT IS NOT IN USE

Built to Deliver - Every Time

23 - DECALS			
NO.	DESCRIPTION	PART NO.	QTY.
1	OPERATING INSTR. MANUAL CLOSE	ATG-OPERILM-MC	1
2	OPERATING INSTR. POWER CLOSE	ATG-OPERILM-PC	1
3	OPERATING INSTR. CONTROL, MANUAL	ATG-SWILM-MC	1
4	OPERATING INSTR. CONTROL, POWER	ATG-SWILM-PC	1
5	URGENT WARNING DECAL	ATG-URGWA	1
6	WARNING- LIFTGATE HAZARDS	ATG-WLH	1
7	WARNING- STAND CLEAR	ATG-PLAT	1
8	CONSPICUITY TAPE, 2"X82" ROLL	85-1114-003	1
9	LIFTGATE CAPACITY	ATG-XXXX*	1
10	ELECTRICAL SYSTEM	ATG-RESET	1
11	GROUND CLEARANCE	ATG-ILMGRNDCLR	1
12	STORAGE LATCH	ATG-STORAGE	1
13	DO NOT APPLY GREASE	85-0713-100	1
14	CIRCUIT BREAKER, BLUE	ATG-BKR	1
15	UP/DOWN MBB OS# 1282134	ATG-UD	1
16	LIFTGATE SHUT OFF	ATG-CAB	1

***XXXX = LIFTGATE CAPACITY (LBS) [EXAMPLE PART NUMBER: ATG- 3000]**

Built to Deliver - Every Time



Palfinger Liftgates, LLC.
15939 Piuma Ave, Cerritos, CA 90703
Tel: (888) 774-5844, Fax: (562) 924-8318

Palfinger Liftgates, LLC.
572 Whitehead Road, Trenton, NJ 08619
Tel: (609) 587-4200, Fax: (609) 587-4201