



LIFTGATES

ILFP 3000,4000

PARTS MANUAL

ECN-M0XXX Rev. 1.7, Date 05-01-2014 Part #90-1214-000

PALFINGER Liftgates, LLC. 15939 Piuma Ave., Cerritos, CA 90703

Tel (888)-774-5844 Fax (562)-924-8318

PALFINGER Liftgates, LLC. 572 Whitehead Road, Trenton, NJ 08619

Tel (609)-587-4200 Fax (609)-587-4201

[Visit our website at www.palfinger.com for up to date information and notifications](http://www.palfinger.com)

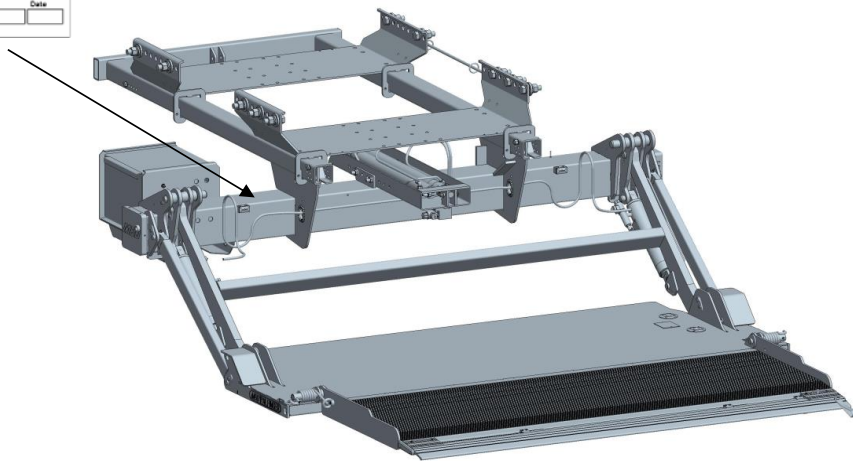
If you received this product with damaged or missing parts,

Please contact PALFINGER Liftgates at (888)-774-5844

INDEX

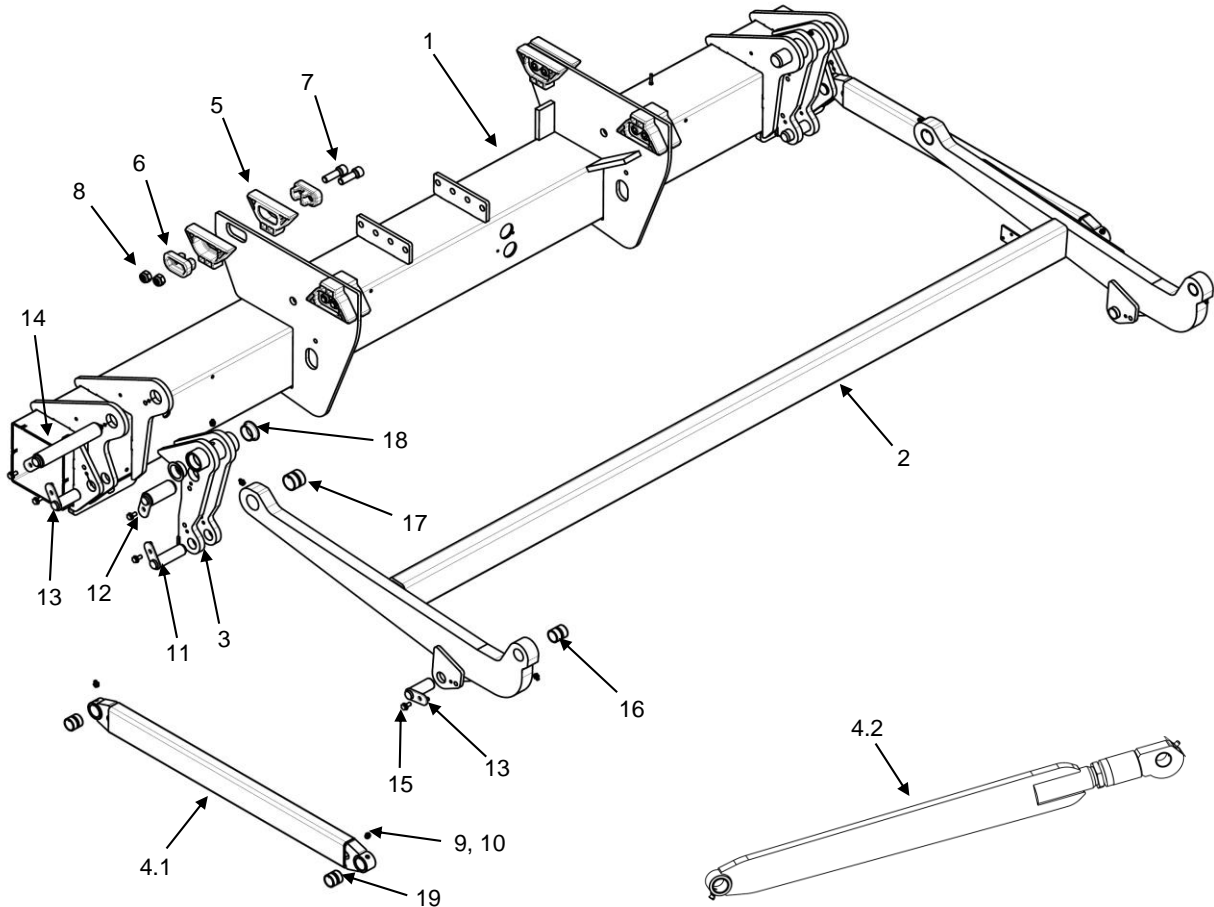
ILFP - Liftgate
Under Slider

Important gate information:
On the top of the tube on
the driver side



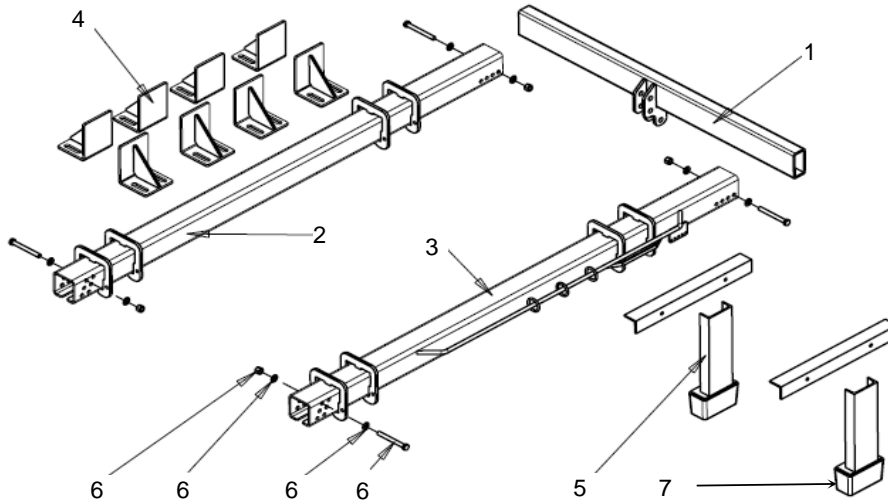
| | Description | Page |
|--|-------------------------|-------------|
| | LIFTING GEAR | 3 |
| | SUBFRAME TRUCK | 4 |
| | SUBFRAME TRAILER | 5 |
| | PLATFORM | 6 |
| | CART STOP | 7 |
| | BATTERY BOX | 8 |
| | CYLINDERS | 9 |
| | LIFTCYLINDER | 10 |
| | PUSH- PULL CYLINDER | 11 |
| | POWER PACK | 12 |
| | CONTROL SYSTEM | 13 |
| | PC BOARD AND HARNESSSES | 14 |
| | HYDRAULIC | 15 |

ILFP Lifting Gear



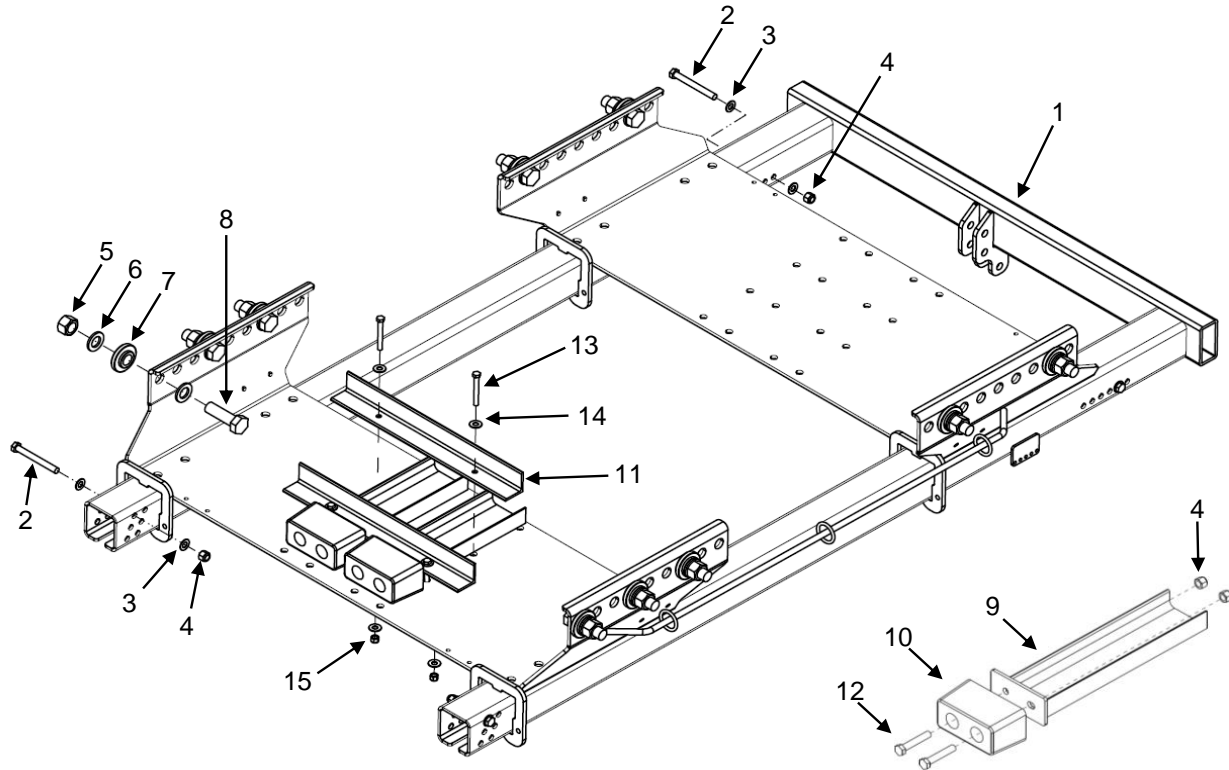
| No. | Description | Part No. |
|--|---|-------------|
| 1 | Mount tube assembly | 01-1211-000 |
| 2 | Lift arm assembly | 10-1208-100 |
| 3 | Swing arm assembly | 05-1009-100 |
| 4.1 | Parallel arm | 15-1009-100 |
| 4.2 | Parallel arm, adjustable, assembly, new style | 15-1213-000 |
| 5 | Slide pad | P-2014290 |
| 6 | Slide pad anchor | P-2014291 |
| 7 | Socket head cap screw, M16 - 2.0 x 50 mm | P-1044604 |
| 8 | Nut, nylock, M16 - 2.0 | P-1150492 |
| 9 | Grease zerk | P-69064337 |
| 10 | Red cap, for grease zerk | P-1191680 |
| Pins <i>all pins require retaining bolt (see no. 15), all measurements in mm, to be read as OD x length</i> | | |
| 11 | Pin, 28 x 99 | P-1326307 |
| 12 | Pin, 36 x 78 | P-1350394 |
| 13 | Pin, 28 x 74 | P-2003651 |
| 14 | Pin, 36 x 206 | P-1403348 |
| 15 | Retaining bolt, hex head cap screw w/ flange, M8 - 1.25 x 16 mm | P-2009212 |
| Bushings <i>measurements in mm, to be read as OD / ID x length</i> | | |
| 16 | Bushing, 32 / 28 x 36 | P-1403364 |
| 17 | Bushing, 40 / 36 x 36 | P-1403366 |
| 18 | Bushing, 40 / 36 / 50 x 17 (OD / ID / flange diameter x length) | P-1278682 |
| 19 | Bushing, 32 / 28 x 31 | P-1403367 |

ILFP Subframe Truck



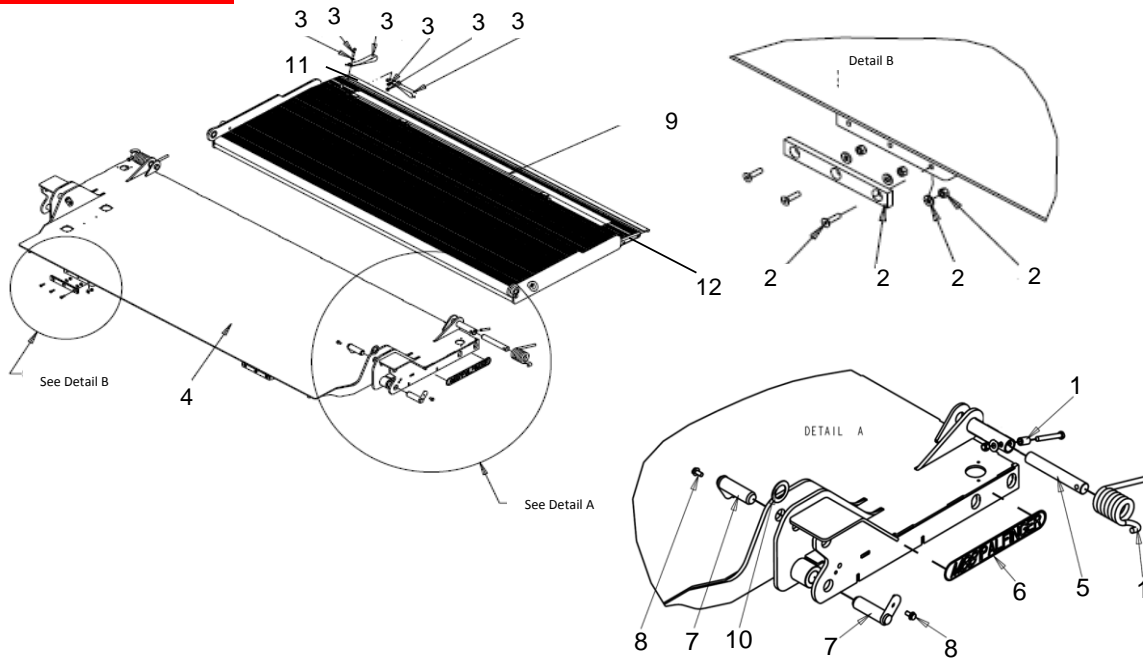
| No. | Description | Part No. |
|-----|--|-------------|
| 1 | Push- Pull Braket | 55-1210-200 |
| 2 | Slide Rail, Driver Side | 55-1211-410 |
| 3 | Slide Rail, Curb Side | 55-1211-420 |
| 4 | Mount Bracket, weld on | 55-1211-430 |
| 5 | Up Stop, Assy | 60-1211-400 |
| 6 | Hex Head cap screw, Kit w/ washers and nut | 1-00005 |
| 7 | Bumper only, up stop | 1-00021B |

ILFP Subframe Trailer



| No. | Description | Part No. |
|-----|---------------------------------------|-------------|
| 1 | Rapid mount sub frame | 55-1211-100 |
| 2 | Hex head cap screw, 1/2 - 13 x 4.5" | ES3519 |
| 3 | Washer, 1/2" | EK2795 |
| 4 | Nut, nylock, 1/2 - 13 | EM 689 |
| 5 | Nut, nylock, M24 - 3.0 | EM 706 |
| 6 | Washer, M24 | EK3215 |
| 7 | Spacer, trailer bolt on | 55-1211-111 |
| 8 | Hex head cap screw, M24 - 3.0 x 80 mm | ES 693 |
| 9 | Channel, upstop | 60-1211-410 |
| 10 | Bumper, upstop | 60-1211-401 |
| 11 | Angle brace, upstop | 60-1211-402 |
| 12 | Hex head cap screw, 1/2 - 13 x 2.75" | ES3553 |
| 13 | Hex head cap screw, 3/8 - 16 x 3.0" | ES3466 |
| 14 | Washer, 3/8" | EK3216 |
| 15 | Nut, nylock, 3/8 - 16 | EM 698 |

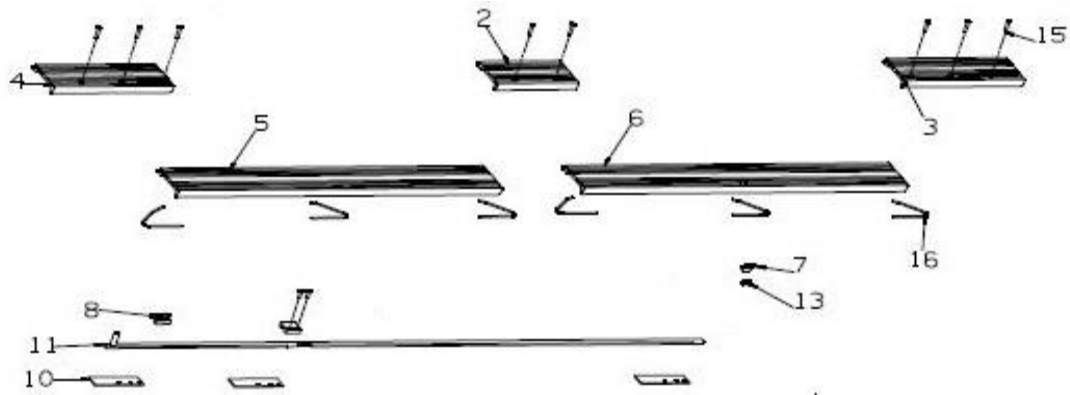
ILFP Platform



| No. | Description | Part No. |
|-----|--|--------------|
| 1 | Spring Kit, ILFP Tip | 20-1214-000 |
| 2 | Bumper, Sill, Platform, Kit w/ bolts, washers and nuts | 20-1210-002A |
| 3 | Handle Strap, w/ both Handle straps, bolts, washers and nuts | 20-1210-003A |
| 4 | Main Platform Assy | 21-1208-100 |
| 5 | Pin, Tip Section | 45-1209-201 |
| 6 | Palfinger Logo Label | P-2006189 |
| 7 | Pin 28x99mm | P-1326307 |
| 8 | Bolt, Pin Lock M8x16mm | P-2009212 |
| 9 | Tip, Platform Alum w/CS | ILFP-2024049 |
| 10 | Thrust Bearing, Bronze, 2" D, 1.25" ID, 1/16" | 5906K553 |
| 11 | Cap tip curb side, plastic with cart stops | P-9083239000 |
| 12 | Cap tip driver side, plastic with cart stops | P-9083238000 |

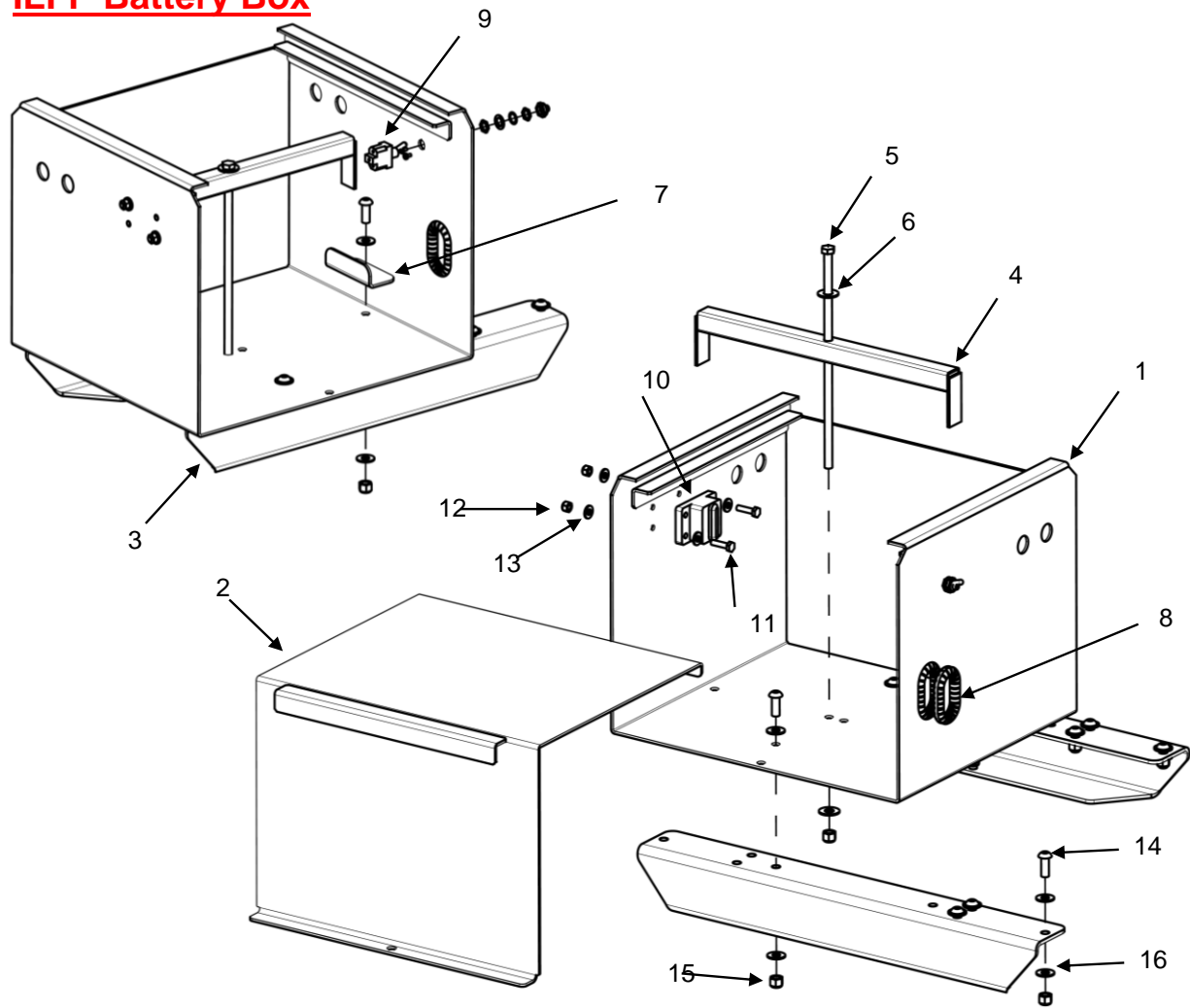
ILFP Cart Stop

ALUPLAN



| No. | Description | Part No. |
|-----|--------------------------------------|-----------|
| 2 | Filler, Cart Stop Center | P-2003302 |
| 3 | Filler, Cart Stop Driver Side | P-2003303 |
| 4 | Filler, Cart Stop Curb Side w/ notch | P-2003301 |
| 5 | Lid, Cart Stop CS, 1000mm | P-2006698 |
| 6 | Lid, Cart Stop, DS 1000mm | P-2006697 |
| 7 | Clip, Hold Down, Cart Stop | P-1406249 |
| 8 | C- Clip, plastic 1.38", Sq w/ wholes | P-2004637 |
| 10 | Rod support 1.38x4.75" | P-1406245 |
| 11 | Sliding Rod | P-1406248 |
| 13 | Screws M5X8 | P-1032122 |
| 15 | Screws M6X30 | P-1089863 |
| 16 | Spring Wire, Cart Stop | P-1408661 |

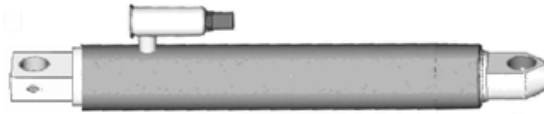
ILFP Battery Box



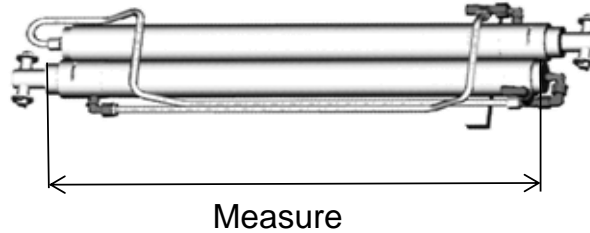
| No. | Description | Part No. |
|-----|--|-------------|
| 1 | Battery box base | 60-1211-220 |
| 2 | Battery box lid | 60-1211-225 |
| 3 | Support chanel | 60-1211-201 |
| 4 | Battery hold down | 60-1211-210 |
| 5 | Hex head cap screw, 3/8" - 16 x 11" | ES3505 |
| 6 | Washer, 3/8" | EK3216 |
| 7 | Shim bracket | 60-1211-202 |
| 8 | Split loom, 1/2", comes in 6.5" cut length | 60-1211-203 |
| 9 | Toggle switch, w/ hardware | 3-1NT1-2 |
| 10 | Curcuit breaker | 3-10150 |
| 11 | Hex head cap screw, 1/4" - 20 x 1.0" | ES3443 |
| 12 | Nut, nylock, 1/4" - 20 | EM 713 |
| 13 | Washer, 1/4" | EK3218 |
| 14 | Button head cap screw, 3/8" - 16 x 1.0" | ES3526 |
| 15 | Nut, nylock, 3/8" - 16 | EM 708 |
| 16 | Washer, 5/16", USS | EK3217 |

ILFP CYLINDER

No.1 Lift cylinder



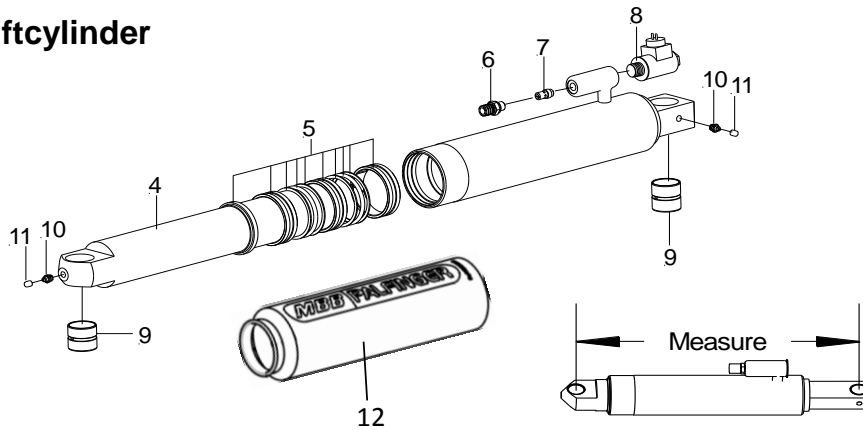
No.2 Push- Pull cylinder



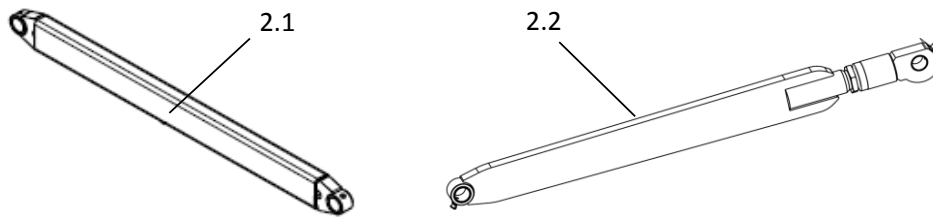
| <u>Lift arm 900mm (35 1/2")</u> | | |
|--|--|-----------------|
| No. | Description | Part No. |
| 1 | Lift cylinder <i>without release valve</i> 63.28.498 | P-2016765 |
| 2 | Push- Pull cylinder 700mm (Measurement 32 1/2") | P-1408003 |

ILFP Liftcylinder

No.1 Liftcylinder

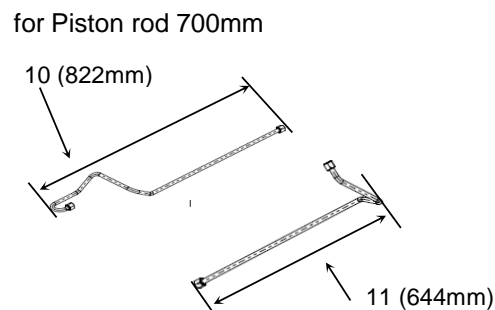
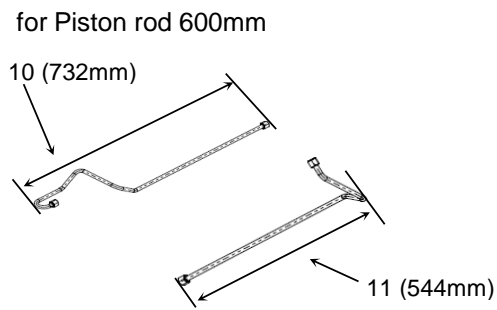
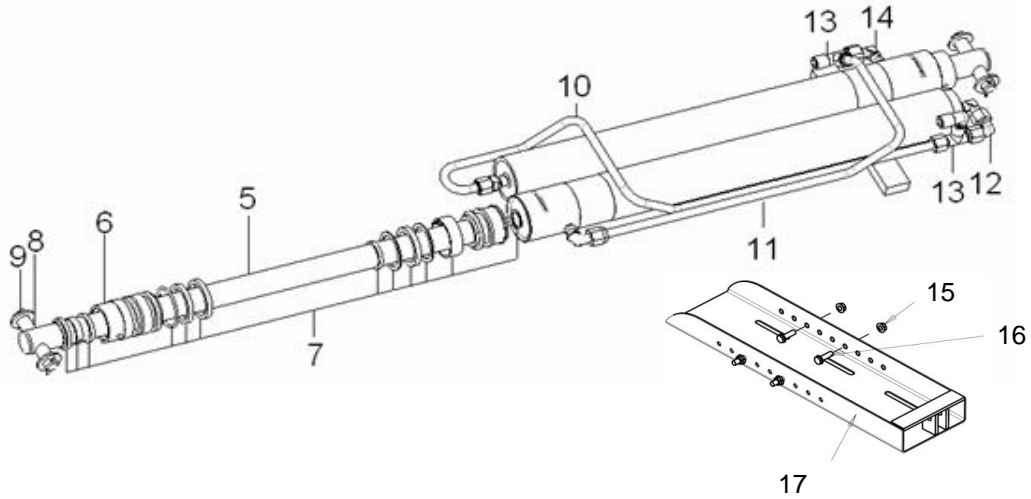


No.2 Parallel arm



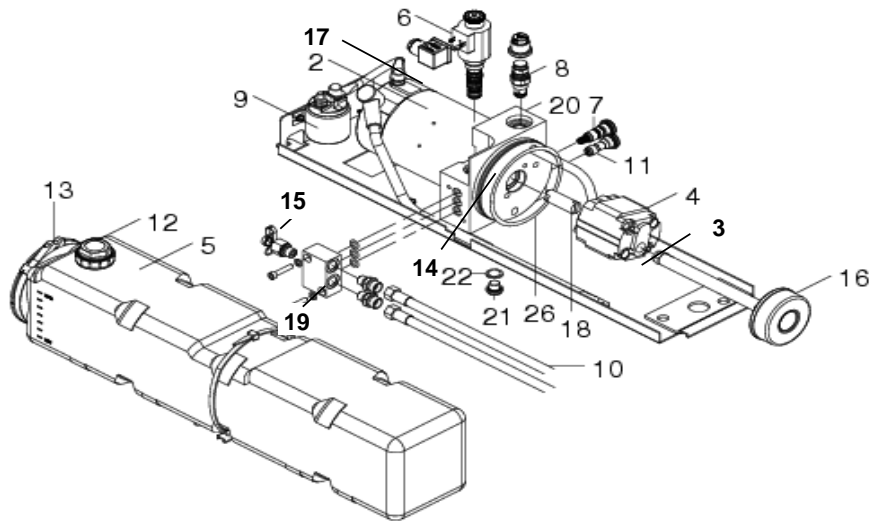
| No. | Description | Part no. |
|---|--|----------------------|
| <i>Piston rod diameter- lift cylinder</i> | | 63mm (2 ½") |
| <i>compressed length - lift cylinder</i> | | 498mm (19 ½") |
| 1 | Lift cylinder <i>without release valve</i> 63.28.498 | P-2016765 |
| 2.1 | Parallel arm - 900mm (35 ½") | 15-1007-100 |
| 2.2 | Parallel arm - 900mm, adjustable, new design | 15-1213-000 |
| 4 | Piston rod | P-2016761 |
| 5 | Rebuild kit | P-1407784 |
| 6 | Adaptor / hose fitting | P-1188263 |
| 7 | Restrictor no.3 | P-1355942 |
| 8 | Release valve, single lock | P-67282345 |
| 9 | Bushing | P-1403367 |
| 10 | Grease zerk | P-2019653 |
| 11 | Red cap | P-1191680 |
| 12 | Sleeve | P-1097838 |

ILFP Push-Pull Cylinder



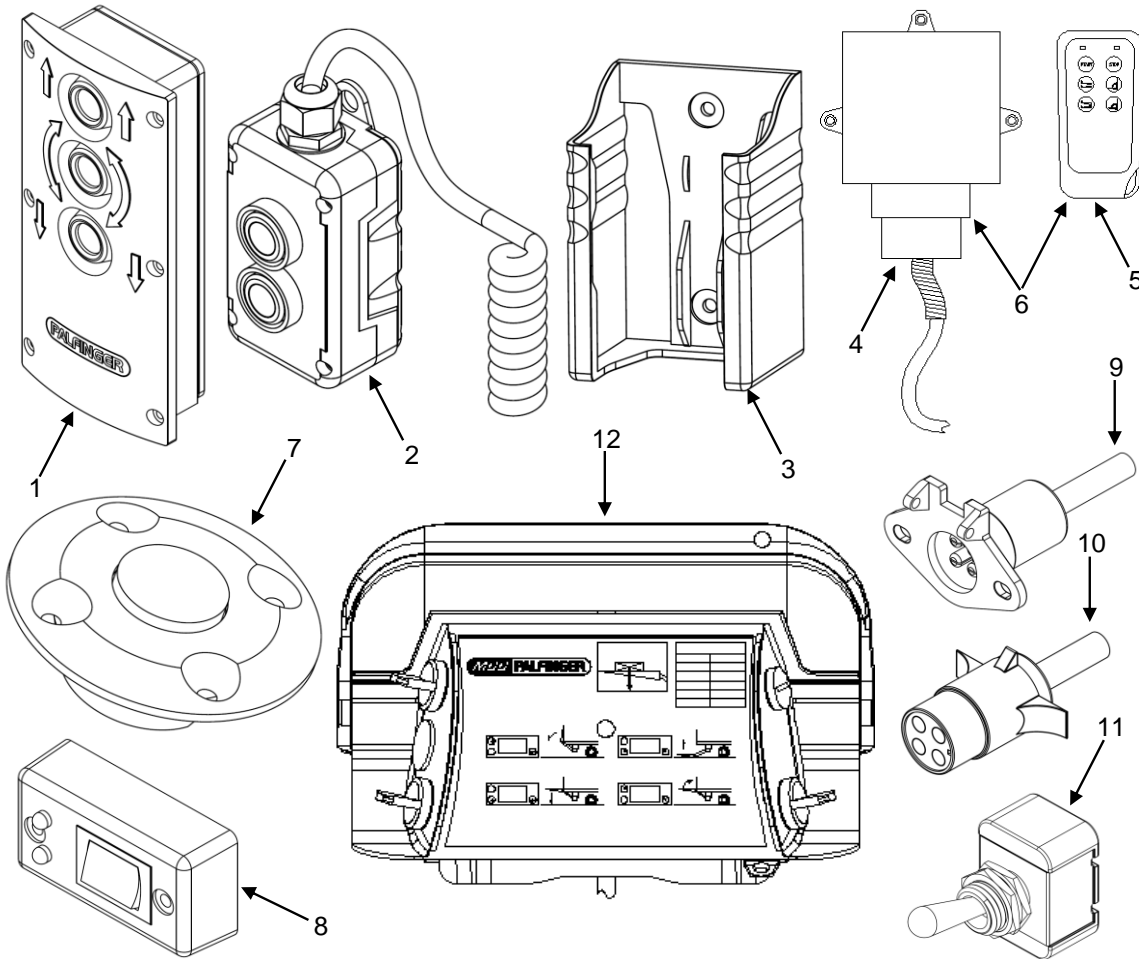
| No. | Description | Part No. |
|------------------------------------|------------------------------|----------------------|
| <i>Piston rod diameter - 700mm</i> | | 30mm (1 1/4") |
| 5 | Piston rod - 700 | P-1404772 |
| 6 | End plug | P-1402032 |
| 7 | Rebuild kit | P-1330763 |
| 8 | Pin incl. cotter pin | P-1330089 |
| 9 | Washer | P-1403363 |
| 10 | Pipe - 600 | P-1407989 |
| | Pipe - 700 | P-1407998 |
| 11 | Pipe - 600 | P-1407990 |
| | Pipe - 700 | P-1407999 |
| 12 | Fitting - 90° elbow | P-1232266 |
| 13 | Tee- Fitting | P-1111075 |
| 14 | Banjo Fitting | P-1000180 |
| 15 | Nut M14 | NUT-M13 |
| 16 | Hex Head Cap Screw, M14x45mm | HHCS-M14x45 |
| 17 | Tray, Push Pull | 56-1210-350 |

ILFP MBB Power Pack



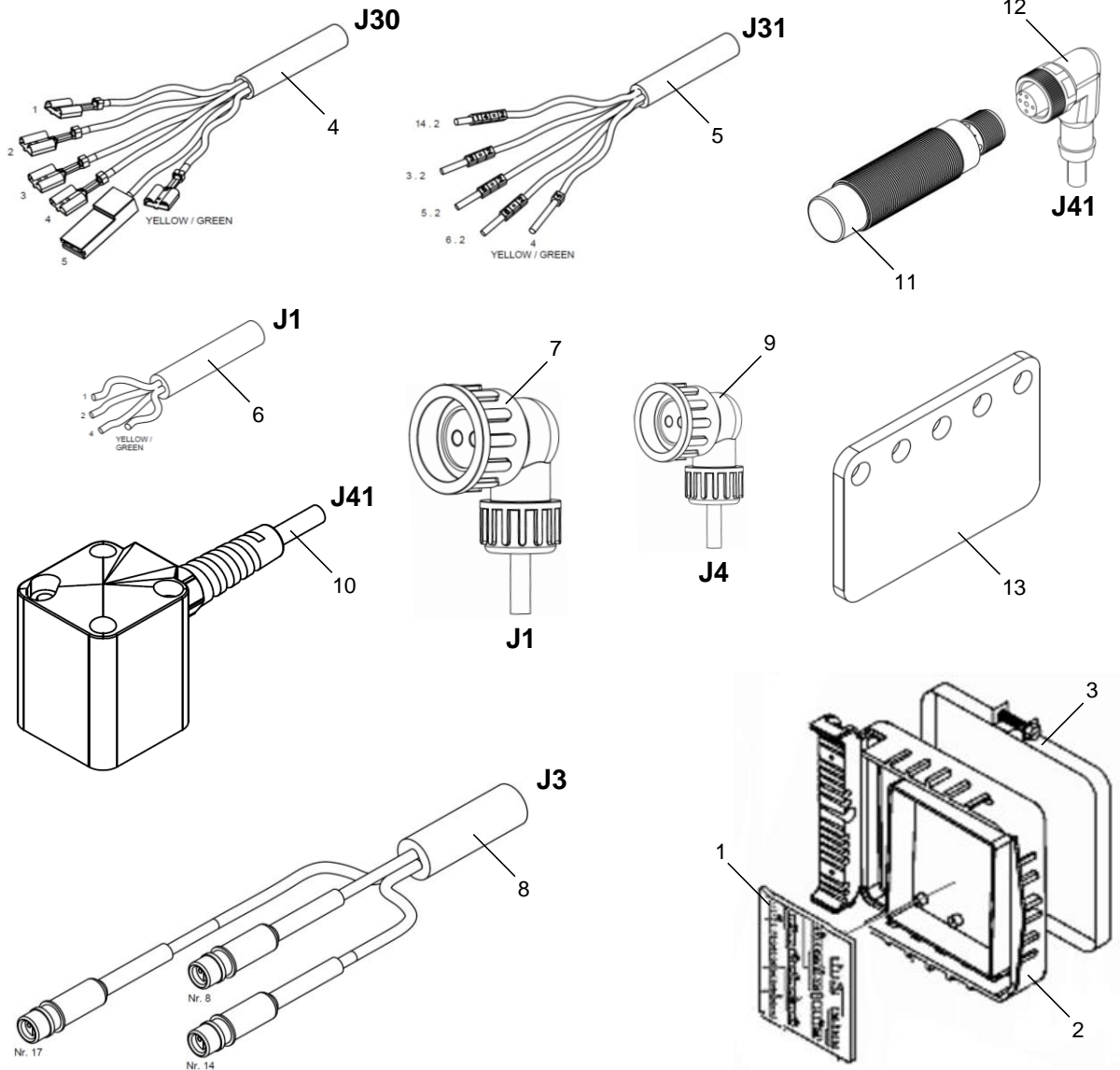
| No. | Description | Part No. |
|-----|--------------------------------|------------|
| 1 | Power pack w/tray , complete | P-1406000 |
| 2 | Motor 12 Volt | P-1353555 |
| 3 | Pipe | on request |
| 4 | Pump, 2ccm | P-1298068 |
| 5 | Oil reservoir, 8liter | P-1362483 |
| 6 | Shift valve (S-5) | P-1299412 |
| 7 | Flow divider spring & plunger | P-1405972 |
| 8 | Pressure relief valve | P-1298111 |
| 9 | Motor solenoid | P-1320127 |
| 10 | Hydraulic hoses to valve block | P-1112885 |
| 11 | Flow control valve (R5) | P-1298086 |
| 12 | Breather cap | P-1362518 |
| 13 | Clamp for oil reservoir | P-1362509 |
| 14 | O-ring Oil Reservoir | P-1297972 |
| 15 | Hydraulic hose Adapter - Gauge | P-71067009 |
| 16 | Pump filter | P-1298022 |
| 17 | Carbon brushes kit (4 pieces) | P-1410330 |
| 18 | Coupler 17x48 | P-1406264 |
| 19 | Adaptor 1/4 X 10l Hose Fitting | P-1188263 |
| 21 | Drain plug | P-66373088 |
| 22 | Sealing washer | P-1298013 |

ILFP Control System



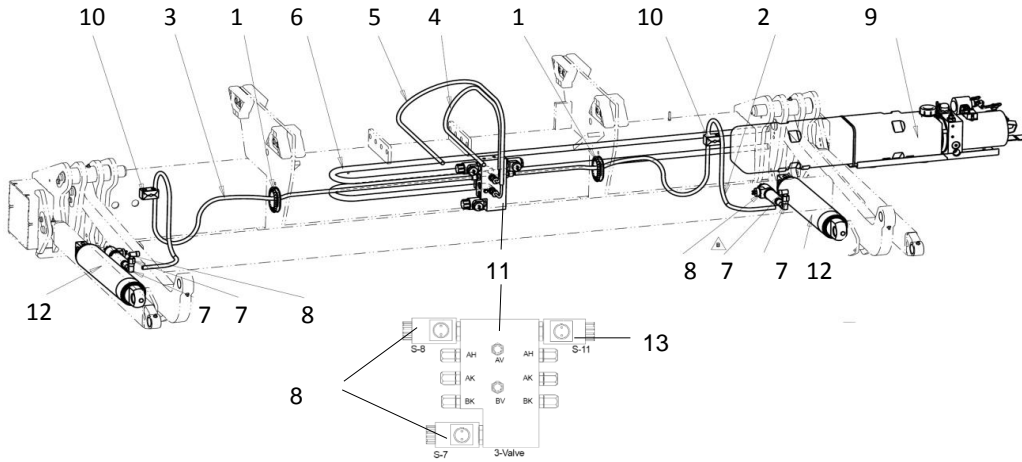
| No. | Description | Part No. |
|------|--|-------------|
| 1 | Control, 3 Button flush mount | P-1404997 |
| 2.1 | 2 Button hand control with coil | P-72916816 |
| 2.2 | 2 Button hand control with coil and plug | P-72916816P |
| 2.3 | 2 Button hand control with coil and 7 way plug | P-1300135 |
| 3 | Holster for hand control | 1-00050 |
| 4 | Radio control receiver, 6 way | 3-500655 |
| 5 | Radio control transmitter remote, 6 way | 3-50065 |
| 6 | Radio control kit - transmitter and receiver | 3-50065A |
| 7.1 | Foot control button 2 wire | P-1330945 |
| 7.2 | Foot control button | P-1405256 |
| 8 | On- off switch, Truck | P-1332494 |
| 9.1 | Socket, 4 way | 3-00011 |
| 9.2 | Socket, Hella, 7 way w/ seal | P-1299912A |
| 10.1 | Plug, 4 way | 3-00010 |
| 10.2 | Plug, Hella, 7 way | P-1237109 |
| 11 | On- off switch, Trailer | 3-1NT1-2 |
| 12 | Control box with harness | P-2024080 |

ILFP PC-Board and Harnesses



| No. | Description | Part No. |
|--------------------------|--|-------------|
| 1 | PC- board M Control | P-2029091A |
| 2 | Cover for control system | P-2029906 |
| 3 | Clamp for cover | P-2010169 |
| 4 | Wire harness for control box (J11, J30 and J32)(actual harness differs s | P-2007410 |
| 5 | Wire harness for hand control (J31) | P-2008921 |
| 6 | Wire harness for circuit board power (J1 and J2) | P-2007406 |
| 7 | Wire harness for power pack and down stop valve S11 (J1) | P-2010018 |
| 8 | Wire harness for warning lights and foot control (J3) | P-1342776 |
| 9 | Cable for solenoid valve(up/down and tilt functions on J4 and slide func | P-67254198 |
| Easy Move Options | | |
| 1 | PC- board, Easy Move | P-2007413 |
| 10 | Sensor B15 for platform (J41) | P-1332485 |
| 11 | Proximity sensore, Easy Move | P-2021082 |
| 12 | Wire harness for proximity sensor (J41) | P-2021083 |
| 13 | Plate, Easy Move sensor | 55-1211-113 |

ILFP Hydraulic



| No. | Description | Part No. |
|-----|-------------------------------------|-------------|
| 1 | 1/2" Split Loom, 6.25" | 80-1211-006 |
| 2 | HOSE, 1600mm, Lift Cylinder | P-1016771 |
| 3 | HOSE, 2000mm, Lift Cylinder | P-1023187 |
| 4 | HOSE, 1000mm, PP Cylinder | P-1110229 |
| 5 | HOSE, 1000mm, PP Cylinder | P-1110229 |
| 6 | HOSE, 2000mm, Pump/Motor | P-1112885 |
| 7 | Elbow Fitting, 10L, 900, | P-1232266 |
| 8 | Valve+Coil, 12V, Double Lock | P-1284466 |
| 9 | Pump/Motor/Rsrvr, ILFP Gravity Down | P-1406000 |
| 10 | Plastic Holder, hose system | P-1406960 |
| 11 | Valve Block, ILFP | P-1409657 |
| 12 | Cylinder, Lift | P-2016765 |
| 13 | Valve+Coil, 12V, Single Lock | P-67282345 |