



LIFTGATES

ILF 33, 44, 55

PARTS MANUAL

ECN-MOXXX Rev. 1.4, Date 04-16-2014 Part #90-0814-000

PALFINGER Liftgates, LLC. 15939 Piuma Ave., Cerritos, CA 90703

Tel (888)-774-5844 Fax (562)-924-8318

PALFINGER Liftgates, LLC. 572 Whitehead Road, Trenton, NJ 08619

Tel (609)-587-4200 Fax (609)-587-4201

[Visit our website at www.palfinger.com](http://www.palfinger.com) for up to date information and notifications

**If you received this product with damaged or missing parts,
Please contact PALFINGER Liftgates at (888)-774-5844**

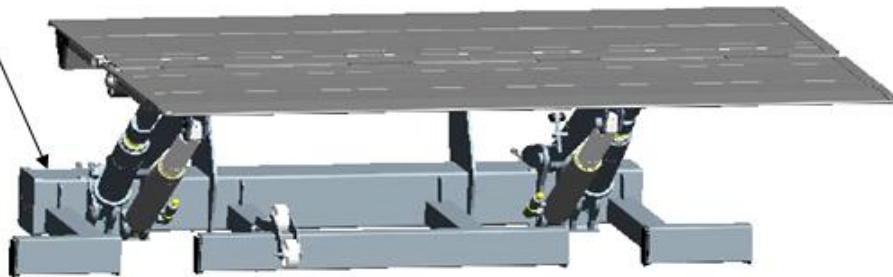
INDEX

ILF

Auto- Fold

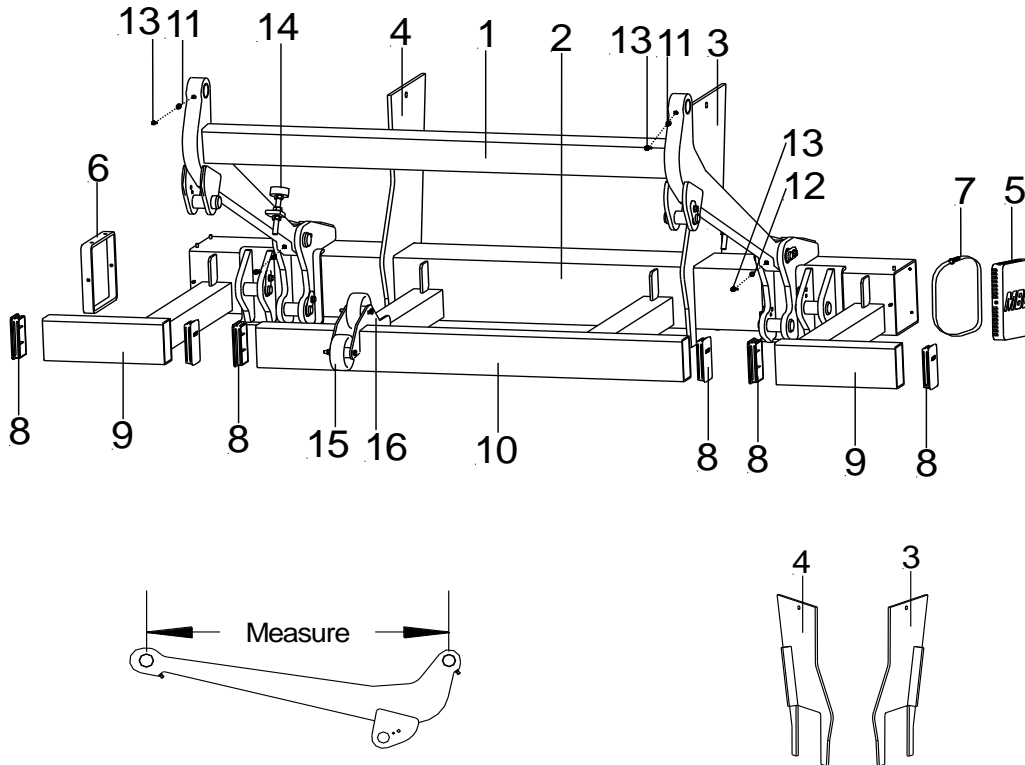
Important gate information:
On the top of the tube on
the driver side

INTERLIFT		PALFINGER
Cerritos, CA (888) 774 - 8844		St. Louis, MO (800) 285 - 7997
Model	Serial No.	Date
<input type="text"/>	<input type="text"/>	<input type="text"/>



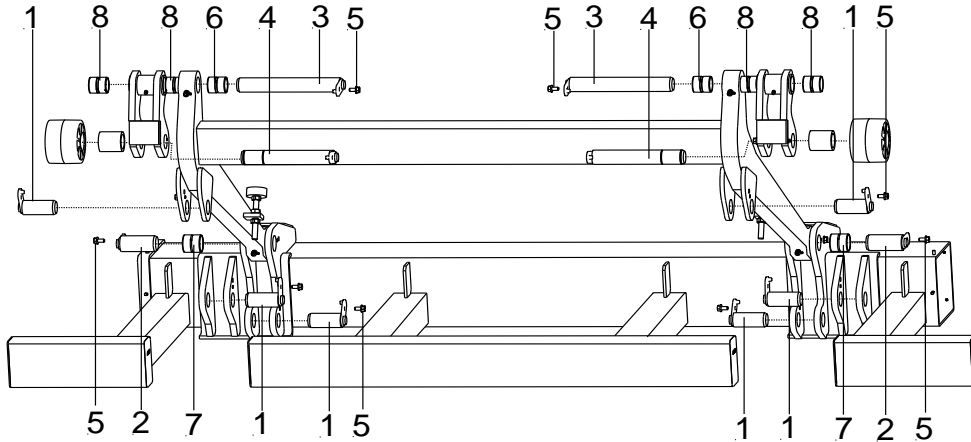
	Description	Page
	LIFTING GEAR	3
	PINS & BUSHINGS	4
	BED EXTENSION	5
	PLATFORM Aluminum	6
	PLATFORM Steel-Aluminum	7
	CONTROL SYSTEM	8
	PC-BOARD AND CABLES	9
	CYLINDER AND ADJUSTING HEAD	10
	LIFT-, TILTCYLINDER COMPONENTS	11
	POWER PACK MBB	12
	POWER PACK BOSCH	13
	HYDRAULIC PIPE	14

ILF LIFTING GEAR



No.	Description	ILF 33	ILF 44	ILF 55
1	Lift arm	P-1408017	P-2009088	P-2009088
2	Main frame	P-2005720	P-1410267	P-1410267
3	Mount plate - curb side	on request	on request	on request
4	Mount plate - driver side	on request	on request	on request
5	Cover with hinge - for control system	P-2029906	P-2029906	P-2029906
6	Rubber cover	P-68483018	P-68483018	P-68483018
7	Clamp for cover	P-2010169	P-2010169	P-2010169
8	Mount tube plastic end	P-71019233	P-71019233	P-71019233
9	Bumper - outer	P-91050150	P-91050150	P-91050150
10	Bumper - center	P-91050050	P-91050050	P-91050050
11	Grease zerk	P-2019653	P-2019653	P-2019653
12	Grease zerk 45 degree	P-1284493	P-1284493	P-1284493
13	Red cap	P-1191680	P-1191680	P-1191680
14	Rubber snubber with hardware	P-1128624	P-1128624	P-1128624
15	Wheel with hardware	P-2003774	P-2003774	P-2003774
16	Bracket for wheels (just bracket)	on request	P-2015074	P-2015074

ILF PINS & BUSHINGS

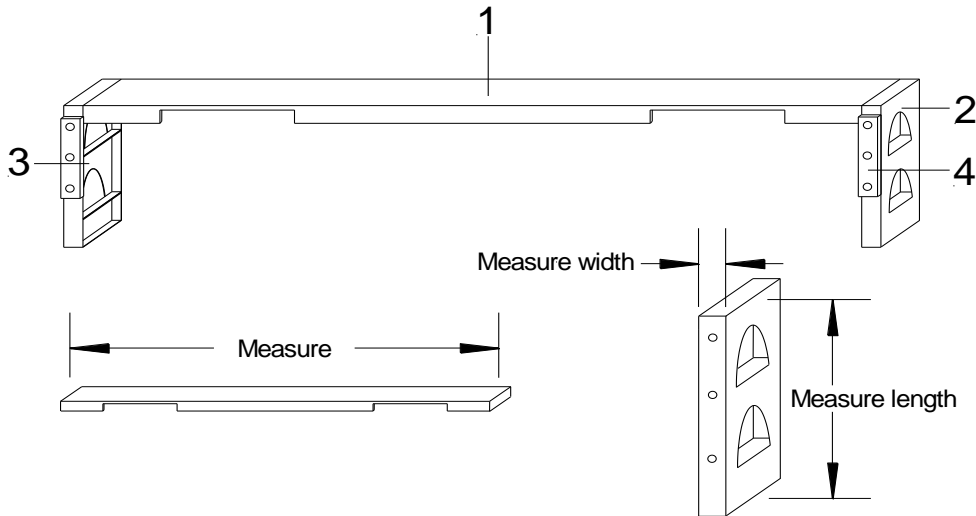


mm	Inch	Part No.
32 / 28 x 31	1 1/4 / 1 1/8 x 1 1/4	P-1403367
32 / 28 x 36	1 1/4 / 1 1/8 x 1 3/8	P-1403364
32 / 28 x 48	1 1/4 / 1 1/8 x 1 7/8	P-2004646
40 / 36 x 36	1 5/8 / 1 3/8 x 1 3/8	P-1403366
40 / 36 x 41	1 5/8 / 1 3/8 x 1 5/8	P-1403363
44 / 40 x 41	1 3/4 / 1 5/8 x 1 5/8	P-1403362

mm	Inch	Part No.
28 x 99	1 1/8 x 3 7/8	P-1326307
28 x 180	1 1/8 x 7 1/8	P-1354169
28 x 187	1 1/8 x 7 3/8	P-71942287
36 x 91	1 3/8 x 3 5/8	P-1350394
36 x 228	1 3/8 x 9	P-2007823
36 x 255	1 3/8 x 10	P-1408315
40 x 95	1 5/8 x 3 3/4	P-1331371

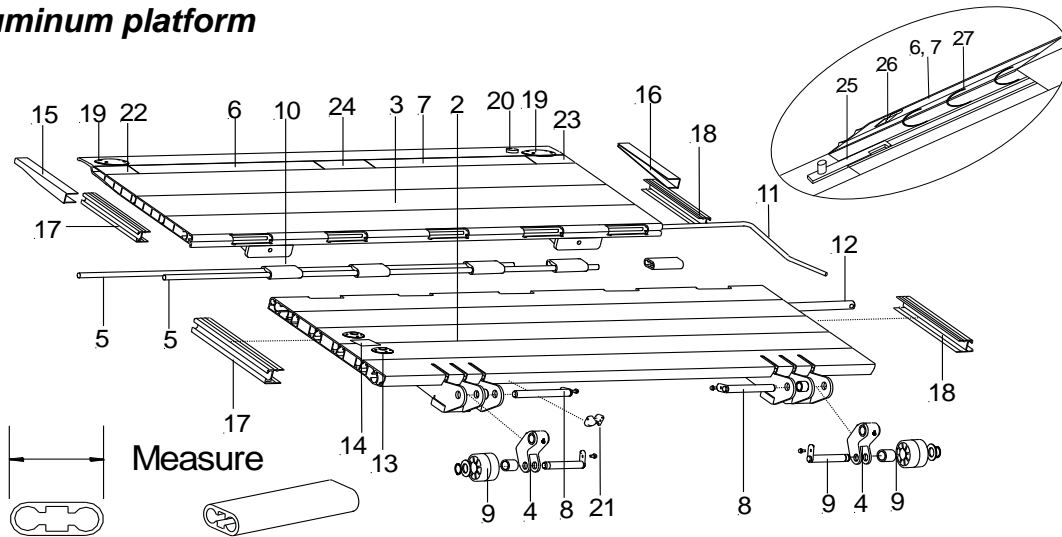
No.	Description	ILF 33	ILF 44	ILF 55
PINS				
1	Pin lift arm, lift cylinder ; tube, cylinder	P-1326307	P-1350394	P-1350394
2	Pin tube, lift arm	P-1350394	P-1331371	P-1331371
3	Pin lift arm, shackle, platform	P-71942287	P-1408315	P-1408315
4	Pin incl. ground roller kit	P-1405023	GRKILF44	GRKILF44
5	Bolt, pin lock	P-2009212	P-2009212	P-2009212
BUSHINGS				
6	Bushing lift arm	P-1403364	P-1403363	P-1403363
7	Bushing lift arm	P-1403366	P-1403362	P-1403362
8	Bushing - steel/alu platform shackle	N/A	P-1403363	P-1403363
	Bushing - alu/alu platform shackle	P-2004646	N/A	N/A
KITS				
	Pin kit lifting gear, platform, cylinders, incl.2 ground rollers	PKILF33	PKILF44	PKILF44
	Bushing kit, compl. lifting gear, platform, cylinders	BKILF33	BKILF44	BKILF44

ILF BED EXTENSION AND BUMPERS



No.	Description	Part no.
1	BED EXTENSION	
	for ILF 33 - length 102" (2600mm) for ILF 44, 55 - length 101" (2560mm)	P-1407182 ML60-0814-000
2	DOCK BUMPER - CURB SIDE	
	2 Step length 24" (610mm), width 3" (76mm)	1-0001924R
	length 24" (610mm), width 4" (101mm) - HD	1-0001924HDR
	length 24" (610mm), width 4" (101mm) - HD with lights	1-0001924HDR-LC
1 Step length 20" (533mm), width 3" (76mm)	1-0001920R	
3	DOCK BUMPER - DRIVER SIDE	
	2 Step length 24" (610mm), width 3" (76mm)	1-0001924L
	length 24" (610mm), width 4" (101mm) - HD	1-0001924HDL
	length 24" (610mm), width 4" (101mm) - HD with lights	1-0001924HDL-LC
1 Step length 20" (533mm), width 3" (76mm)	1-0001920L	
4	RUBBER BUMPER	
	Rubber bumper	1-00021
	KITS (Curb and driver side)	
	2 Step Dock bumper - length 24" (610mm), width 3" (76mm)	1-0001924S
	Dock bumper HD - length 24" (610mm), width 4" (101mm)	1-0001924HDS
	Dock bumper HD with lights- length 24" (610mm), width 4" (101mm)	1-0001924HDS-OR
	1 Step Dock bumper - length 20" (533mm), width 3" (76mm)	1-0001920S

ILF PLATFORM
Aluminum platform

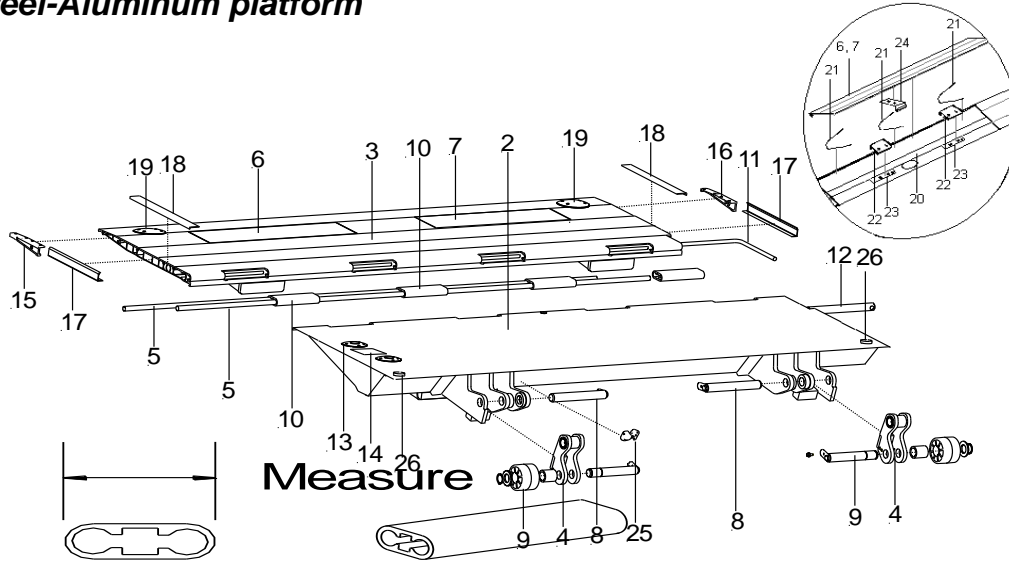


No.	Description	ILF 33
1	Platform - alu / alu	4PFA3362
2	Main section	on request
3	Tip section	on request
4	Shackle	P-1184926
5	Rod - diameter 20mm (¾")	P-9831722365
6	Cart stop lid - curb side	P-2006698
7	Cart stop lid - driver side	P-2006697
8	Pin lift arm, shackle, platform	see page 4
9	Pin incl. ground roller kit	P-1405023
10	Hinge - width 3" length 7 7/8" (200mm) - cut to required length	P-1408513
11	Torsion bar - diameter 3/8" (9mm) - curb side	P-2006407
	Torsion bar - diameter 3/8" (9mm) - driver side	P-2006406
	Torsion bar - diameter 1/2" (12mm) - driver side	P-2000463
12	Torsion bar retainer	P-1408525
13	Foot control button 2-wire	P-1330945
14	Plate	P-1341966
15	Aluminum cap tip - curb side - with cart stops	P-1408523
	Aluminum cap tip - curb side - without cart stops	on request
16	Aluminum cap tip - driver side - with cart stops	P-1408524
	Aluminum cap tip - driver side - without cart stops	on request
17	Side profile - curb side - cut to required length	P-1408521
18	Side profile - driver side - cut to required length	P-1408522
19	Warning light - LED	P-1406365
20	Rubber snub with hex head bolt	P-71042936
21	Plastic bracket	P-2019337
22	Side fill in - curb side - cut to required length	P-2006651
23	Side fill in - driver side - cut to required length	P-2006651
24	Center fill in	P-2000267
25	Interlock latch - curb side	P-2000888A
	Interlock latch - driver side	P-1409347A
26	Spring clip	P-1409349
27	Spring	P-1408661

ILF PLATFORM

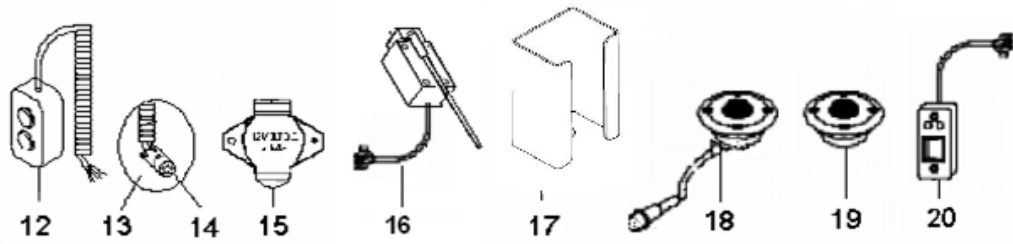
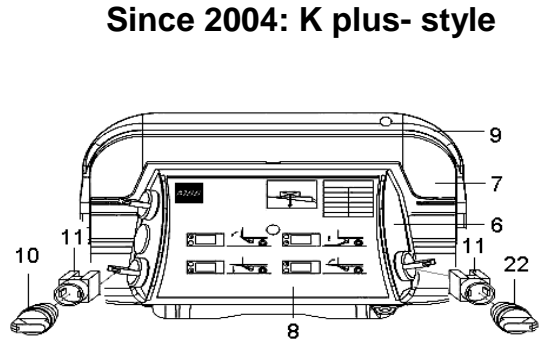
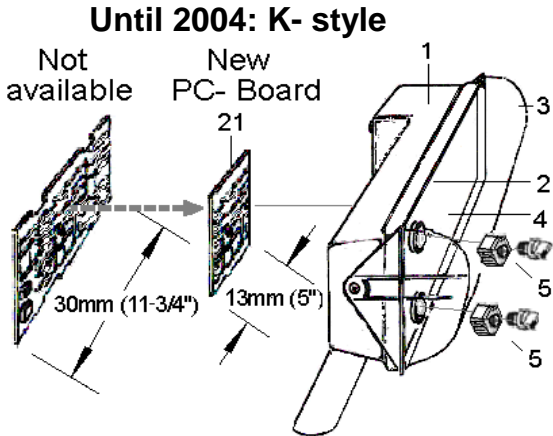
Cartstop - spring loaded

Steel-Aluminum platform



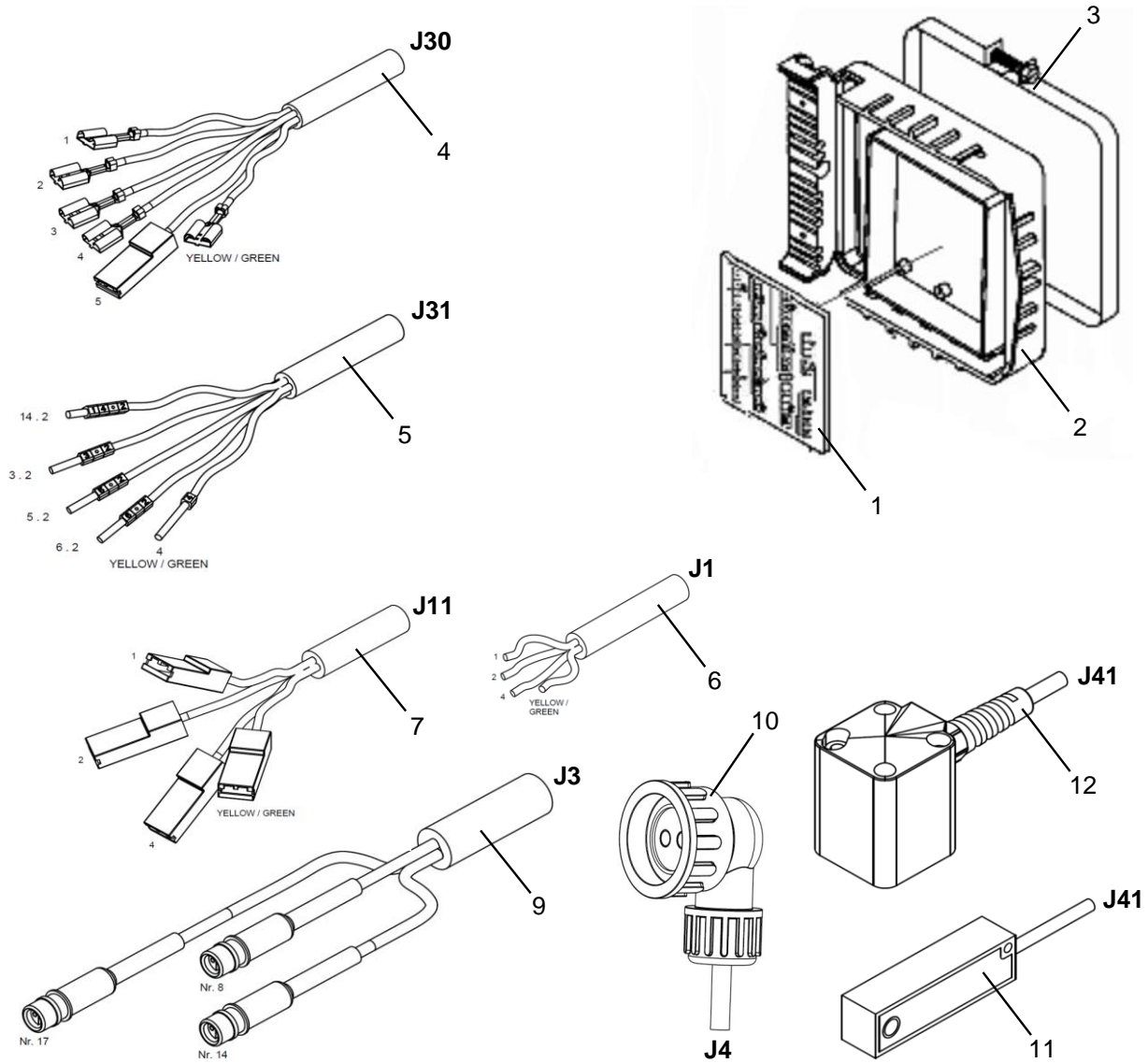
No.	Description	ILF 44	ILF 55
1	Platform with cartstops - steel-alu	4PFA424F-W/CS	4PFA424F-W/CS
	Platform without cartstops - steel-alu	4PFA424F	4PFA424F
2	Main section	on request	on request
3	Tip section	on request	on request
4	Shackle	P-2007769	P-2007769
5	Rod - diameter 20mm (3/4")	P-9831722365	P-9831722365
6	Cart stop lid - curb side	P-2006698	P-2006698
7	Cart stop lid - driver side	P-2006697	P-2006697
8	Pin lift arm, shackle, platform	see page 4	see page 4
9	Pin incl. ground roller kit	GRKILF44	GRKILF44
10	Hinge - width 3" length 7 7/8"(200mm) - cut to required length	P-1408513	P-1408513
11	Torsion bar	P-2000463	P-2000463
12	Torsion bar retainer	P-1408525	P-1408525
13	Foot control button 2-wire	P-1330945	P-1330945
14	Plate	P-1341966	P-1341966
15	Plastic cap tip - curb side - with cart stops	P-9083239000	P-9083239000
	Plastic cap tip - curb side - without cart stops	P-9081336000	P-9081336000
16	Plastic cap tip - driver side - with cart stops	P-9083238000	P-9083238000
	Plastic cap tip - driver side - without cart stops	P-9081336010	P-9081336010
17	Side profile bottom	P-9832521700	P-9832521701
18	Side profile top	P-1244631	P-1244632
19	Warning light - LED	P-1406365	P-1406365
20	Sliding rod	P-1406248	P-1406248
21	Spring	P-1408661	P-1408661
22	Plastic hold down clip	P-2004637	P-2004637
23	Plastic rod support	P-1406245	P-1406245
24	Spring clip	P-1409349	P-1409349
25	Plastic bracket	P-2019337	P-2019337
26	Rubber snub with hex head bolt	P-71042936	P-71042936

ILF CONTROL SYSTEM



No.	Description	Part No.
1	Complete outer plastic box	P-1338263
2	Control panel with PC-board - conversion kit	P-2012524F
3	Flip down lid	P-1319393
4	Plastic cover control box	P-1228744
5	Momentary turn knob and contact block	P-2011543
6	Control box with PC-board and harness	P-2033819
	Control box with cable (without PC-board)	P-2007286
7	Complete outer plastic box	P-2009205
8	Operation lable	ATG-ILF
9	Flip down lid	P-2007476
10	Momentary turn knob	P-2007456
11	Contact block	P-2007457
12	2 Button hand control with coil	P-72916816
13	2 Button hand control with coil and plug	P-72916816P
	2 Button hand control with coil and 7 way plug	P-1300135
14	Plug, 4 way	3-00010
	Plug, Hella, 7 way	P-1237109
15	Socket, 4 way	3-00011
	Socket, Hella, 7 way w/ seal	P-1299912A
16	Limit switch	P-1188914
17	Holster for hand control	P-2023801
18	Foot control button 2 wire	P-1330945
19	Foot control button	P-1405256
20	Cab on-off switch	P-1332494
21	PC- Board - <i>K plus style</i>	P-2012524F
22	On- off switch	P-2009186

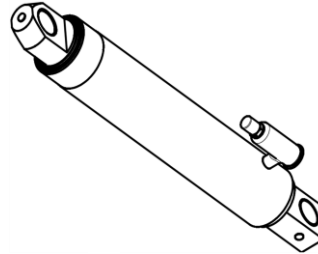
ILF PLUS PC-BOARD AND CABLES



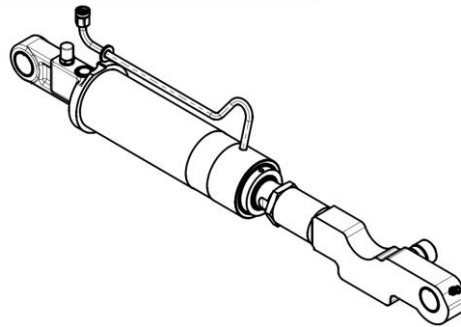
No.	Description	Part No.
1	PC- board M Control	P-2029091
2	Cover for control system	P-2029906
3	Clamp for cover	P-2010169
4	Wire harness for control box (J30)	P-2007295
5	Wire harness for hand control (J31)	P-2008921
6	Wire harness for power pack (J1)	P-2007406
7	Wire harness for cab on-off switch (J11)	P-2007049
9	Wire harness for warning lights and foot control (J3)	P-1342776
10	Cable for solenoid valve (J4)	P-67254198
11	Sensor B13 for lift arm (J41)	P-1332476
12	Sensor B15 for platform (J41)	P-1332485
Kit		

ILF CYLINDER

No.1 Lift cylinder

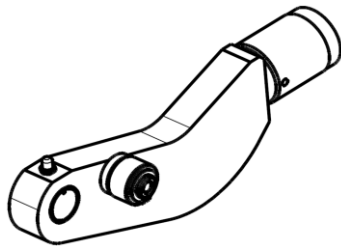


No.2 Tilt cylinder

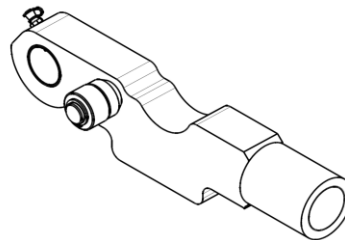


**ILF 44/55
curb side**

No.3 Adjusting head



**ILF 33
curb side**

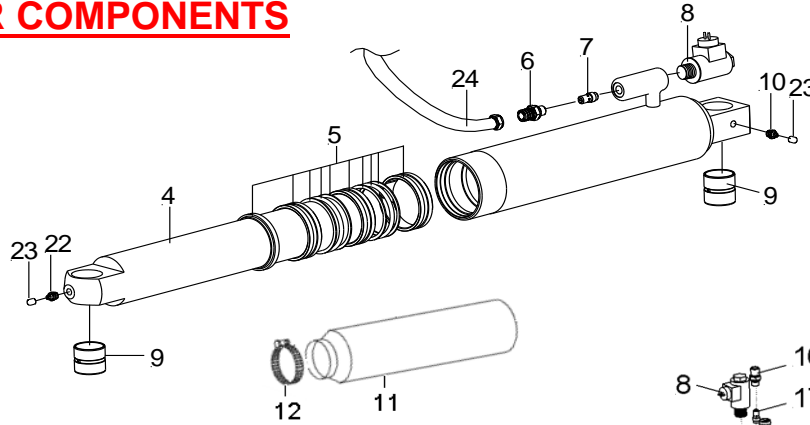


**ILF 44/55
curb side**

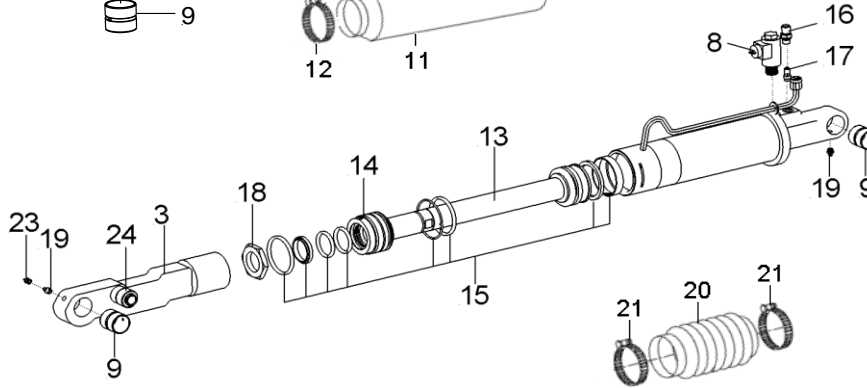
No.	Description	ILF 33	ILF 44	ILF 55
1	Lift cylinder <i>without release valve</i>	P-1343854	P-1350167	P-1350167
2	Tilt cylinder <i>without release valve - curb side</i>	P-1408236	P-2015025	P-2015025
	Tilt cylinder <i>without release valve - driver side</i>	P-1408235	P-2015024	P-2015024
3	Adjusting head - <i>curb side</i>	P-2012123	P-2012118	P-2012118
	Adjusting head - <i>driver side</i>	P-2012122	P-2012119	P-2012119

ILF CYLINDER COMPONENTS

Lift cylinder



Tilt cylinder

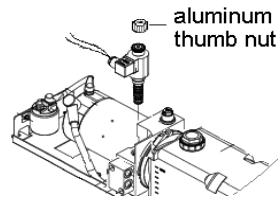


No.	Description	ILF 33	ILF 44	ILF 55
	<i>Piston rod diameter- lift cylinder</i>	55mm (2 1/4")	70mm (2 3/4")	70mm (2 3/4")
	<i>Piston rod diameter- tilt cylinder</i>	40mm (1 1/2")	45mm (1 3/4")	45mm (1 3/4")
3	Adjusting head	see no.3 on page 10 'ILF CYLINDER'		
4	Piston rod	P-1401503	P-1403799	P-1403799
5	Rebuild kit	P-2005323	P-2021847	P-2021847
6	Adaptor / hose fitting	P-1188263	P-1188263	P-1188263
7	Restrictor control valve	P-1355942	P-1363828	P-1363828
8	Release valve 12V	P-67282345	P-67282345	P-67282345
9	Bushing	P-1403367	P-1403363	P-1403363
10	Grease zerk	P-2019653	P-2019653	P-2019653
11	Sleeve - lift cylinder	P-1099010	P-1098362	P-1098362
12	Clamp	P-68430828	P-68734258	P-68734258
13	Piston rod for tilt cylinder	P-2000878	P-1410866	P-1410866
14	End plug	P-68274001	P-68813557	P-68813557
15	Rebuild kit - tilt cylinder	P-1330674	P-1330683	P-1330683
16	Adaptor / hose fitting	P-1188263	P-1188263	P-1188263
17	Restrictor control valve	P-1355942	P-1325551	P-1325551
18	Lock nut for tilt cylinder	P-67265408	P-71597563	P-71597563
19	Grease zerk	P-2019653	P-2019653	P-2019653
20	Rubber bellows	P-67259238	P-68724546	P-68724546
21	Clamp	P-68430828	P-68430828	P-68430828
22	Grease zerk	P-2019653	P-1284493	P-1284493
23	Red cap	P-1191680	P-1191680	P-1191680
23	Hydraulic hose - each	P-70605848	P-70605848	P-70605848
24	Roller, Adjusting Head	P-70969092	P-70969092	P-70969092

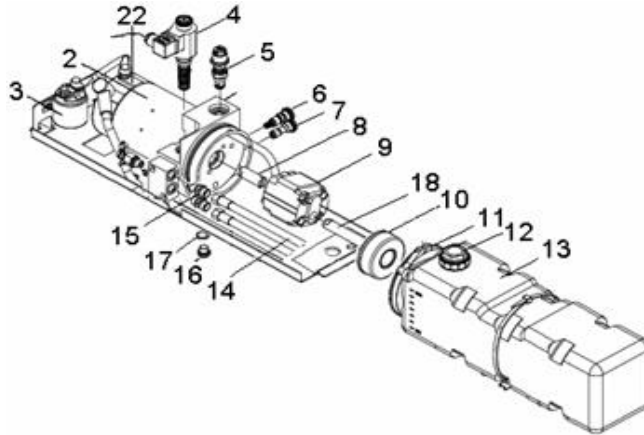
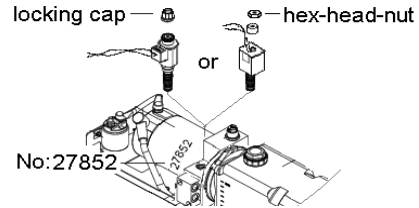
ILF MBB POWER PACK

How to identify:

MBB



Bosch

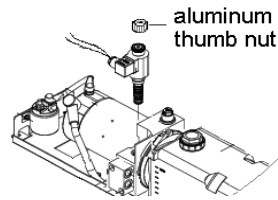


No.	Description	ILF 33	ILF 44	ILF 55
1	Power pack	P-1406000	P-1406000	P-1406000
2	Motor 12 Volt	P-1353555	P-1353555	P-1353555
3	Motor solenoid	P-1320127	P-1320127	P-1320127
4	Shift valve (S-5)	P-1299412	P-1299412	P-1299412
5	Pressure control valve	P-1298111	P-1298111	P-1298111
6	Shuttle valve <i>since 1998</i>	P-1405972	P-1405972	P-1405972
	Flow divider <i>till 1998</i>	P-1298102	P-1298102	P-1298102
7	Flow control valve (R5)	P-1298086	P-1298086	P-1298086
8	Coupler	P-1406264	P-1406264	P-1406264
9	Pump	P-1298068	P-1298068	P-1298068
10	Pump filter	P-1298022	P-1298022	P-1298022
11	Clamp for oil reservoir	P-1362509	P-1362509	P-1362509
12	Breather cap	P-1362518	P-1362518	P-1362518
13	Oil reservoir	P-1362483	P-1362483	P-1362483
14	Hydraulic hose	P-1112885	P-1112885	P-1112885
15	Adaptor	P-1188263	P-1188263	P-1188263
16	Drain plug	P-66373088	P-66373088	P-66373088
17	Sealing washer	P-1298013	P-1298013	P-1298013
18	Pipe	on request	on request	on request
22	Carbon brushes kit (4 pieces)	P-1410330	P-1410330	P-1410330

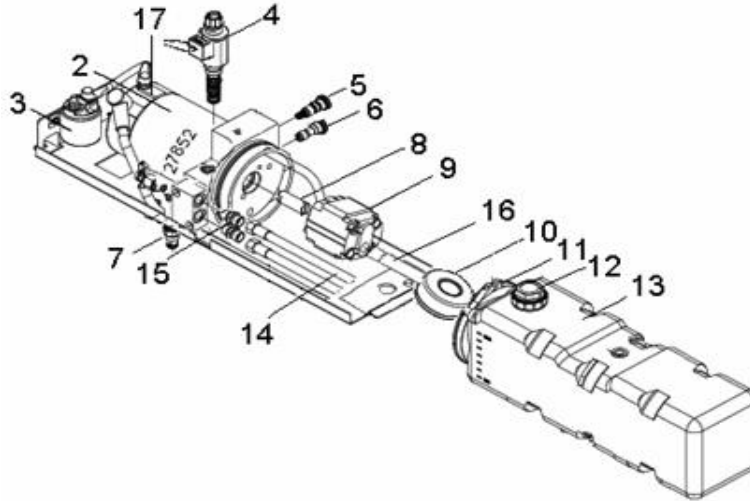
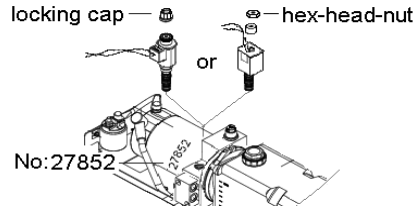
ILF BOSCH POWER PACK

How to identify:

MBB

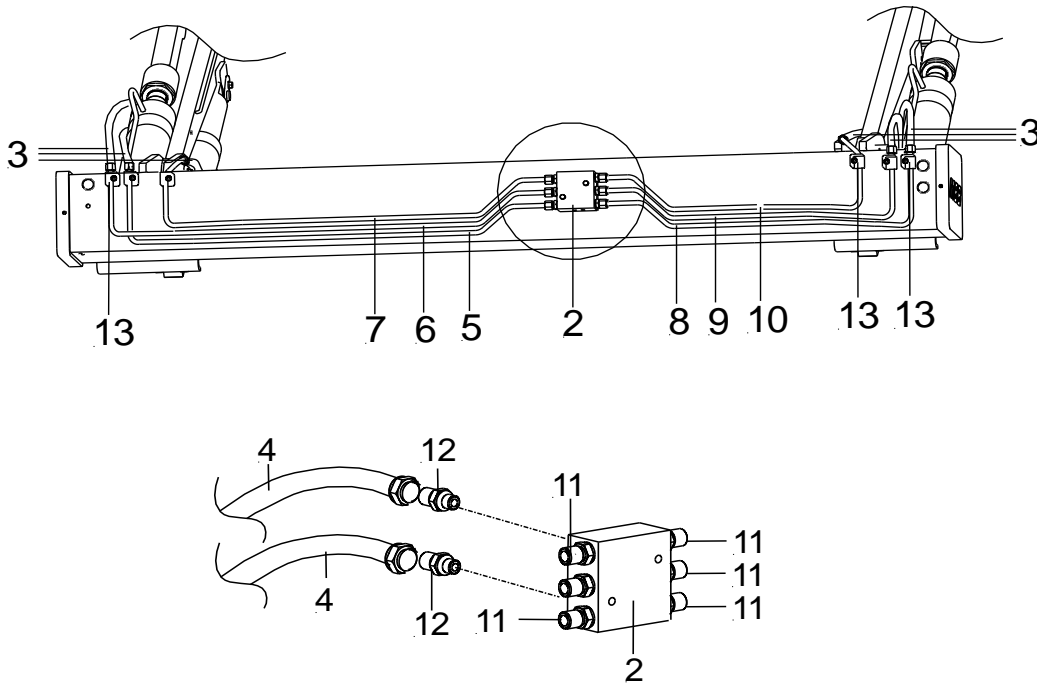


Bosch



No.	Description	ILF 33	ILF 44	ILF 55
1	Power pack	N/A	N/A	N/A
2	Motor 12 Volt	P-1298264	P-1298264	P-1298264
3	Motor solenoid	P-1320127	P-1320127	P-1320127
4	Shift valve (S5)	P-1058804	P-1058804	P-1058804
5	Pressure release valve	P-1058760	P-1058760	P-1058760
6	Shuttle valve	P-72335694	P-72335694	P-72335694
7	Flow control valve (R5)	P-1058653	P-1058653	P-1058653
8	Coupler	P-68807808	P-68807808	P-68807808
9	Pump	P-1058831	P-1058831	P-1058831
10	Screen	P-70411385	P-70411385	P-70411385
11	Reservoir clamp set	P-1404308	P-1404308	P-1404308
12	Cap with filter	P-1401680	P-1401680	P-1401680
13	Oil reservoir	P-70411296	P-70411296	P-70411296
14	Hydraulic Hose	P-1112885	P-1112885	P-1112885
15	Adaptor	P-1188263	P-1188263	P-1188263
16	Pipe	on request	on request	on request
17	Carbon brushes kit (4 pieces)	P-1116767	P-1116767	P-1116767

ILF HYDRAULIC PIPE



No.	Description	ILF 33	ILF 44	ILF 55
1	Hydraulic pipe kit (without hoses)	P-1401079	P-1401079	P-1401079
2	Alu valve block with adaptor	P-1330067	P-1330067	P-1330067
3	Hydraulic hose kit - 6 pieces Hydraulic hose - each	P-1303233 P-70605848	P-1303233 P-70605848	P-1303233 P-70605848
4	Hydraulic hose to power pack - each	P-1112885	P-1112885	P-1112885
5	Pipe - lower curb side	P-1129989	P-1129989	P-1129989
6	Pipe - med. curb side	P-1129998	P-1129998	P-1129998
7	Pipe - top curb side	P-1129970	P-1129970	P-1129970
8	Pipe - lower driver side	P-1129943	P-1129943	P-1129943
9	Pipe - med. driver side	P-1129952	P-1129952	P-1129952
10	Pipe - top driver side	P-1129961	P-1129961	P-1129961
11	Hose fitting	P-1188263	P-1188263	P-1188263
12	Hose fitting	P-1149677	P-1149677	P-1149677
13	Plastic holder	P-1108532	P-1108532	P-1108532