



Parts & Service Manual for MCV Spreader Single Auger



Monroe Snow & Ice Control
1051 W. 7th Street • Monroe, WI 53566
USA: 877-834-9049 • Fax: 608-329-8488
www.monroetruck.com

05090547-5
6/5/2014

Table of Contents

General Information	2
How to Order Parts	2
Return Policy	2
Safety Instructions	3
Maintenance Instructions	6
Installation Instructions	9
Operating Instructions	10
Hydraulic Schematics	12
Wiring Schematics	11
Replacement Parts	14
Warranty	121

General Information

- Use only Monroe Truck Equipment O.E.M. replacement parts. Failure to do so will void the warranty.
- Location descriptions are noted in direction of travel (i.e. front, rear, left and right).
- Delivery of replacement parts is subject to our sales delivery terms.
- Replacement parts listed in this manual reflect the most common items for this product. If you do not find the part you require, please call your distributor.
- Monroe Truck Equipment reserves the right to make revisions or alterations to the parts manual at any time.

How to Order Parts

To order or inquire about replacement parts, please contact the distributor or store that the product was purchased through. To speed the information flow, please have the following information available:

- Model Number
- Serial Number
- Part Number and/or Description of the Part
- Quantity Needed

For further information about Monroe Truck Equipment replacement parts, please call 877-834-9049.

Return Policy

Merchandise returned to Monroe Truck Equipment must have a Warranty Service Request (WSR) form filled out completely and signed by authorized personnel.

To get your WSR form for whole goods, call Snow & Ice Sales at 800-880-0109.

To get your WSR form for replacement parts, call Dan Tuscan at 877-834-9049.

All returned items are subject to a 15% restocking fee and ***must be sent freight pre-paid.***

Safety Instructions

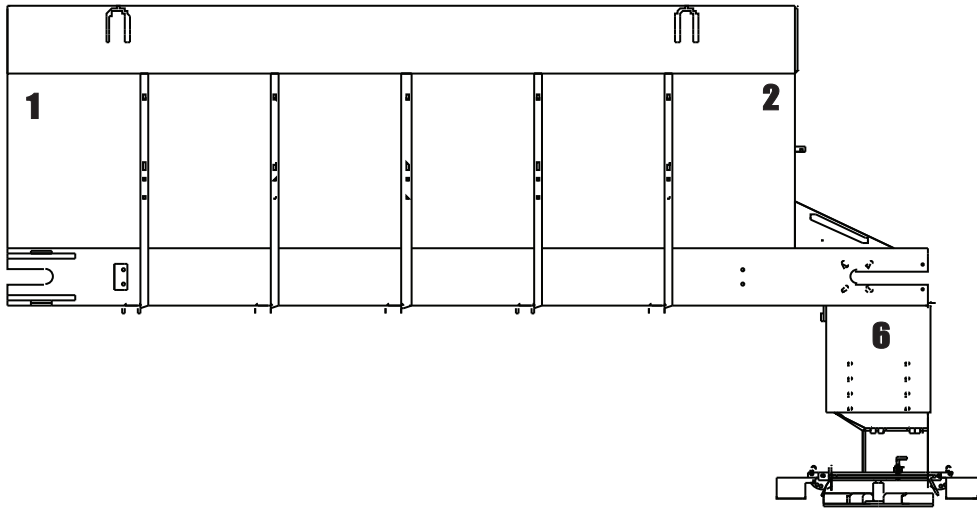
WARNING

Before working under the vehicle or around the spreader, shut off the truck engine and remove the key from the ignition. Prevent accidental startup and operation of the spreader to avoid personal injury!

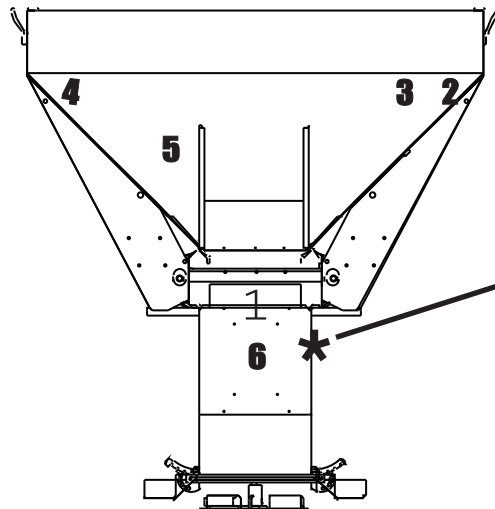
- Locate and read all safety decals on the unit before operating the equipment. Familiarize yourself with all potential hazards in operating this equipment.
- Read all installation, operation, and maintenance instructions before operating the equipment.
- Keep all provided shields, covers, and guards in place during operation of the unit.
- Stay away from moving chains, gears, and augers. Hands, feet, hair, and clothing can become entangled in moving parts, causing death or severe injury.
- Stay away from the spinner when it is rotating. The spinner can throw granular material with great force and can cause severe eye injury or blindness.
- Never enter the V-box unless the vehicle is turned off and the ignition key is removed. Follow lock-out/tag procedures for working on hazardous equipment.
- If the augers or conveyor jams or the granular material is frozen in the box, shut down and lock-out/tag the engine and hydraulic system, then clean out the box to free up the augers or conveyor.
- Watch for hydraulic fluid leaks at fittings and hoses. High-pressure fluid leaks can penetrate skin and cause severe injury.
- Do not climb on the V-box unless ladders or steps are provided, especially when the unit is wet or icy.
- If the V-box needs repair or the controls are not functioning properly, repair the unit immediately. Do not continue to operate a malfunctioning unit - further and more serious damage may occur.
- If the V-box is a slide-in or temporary mount unit, unload all material from the box before removing the box from the vehicle.
- Use the provided lifting loops to remove the box from a vehicle. If the spreader is a slide-in skid unit with legs, follow all instructions for removing the unit from the vehicle.
- When storing a slide-in or temporary mount V-box for summer, locate it away from high traffic areas and block it securely so it cannot fall or be pushed over.

Safety Decal Location

DRIVER SIDE

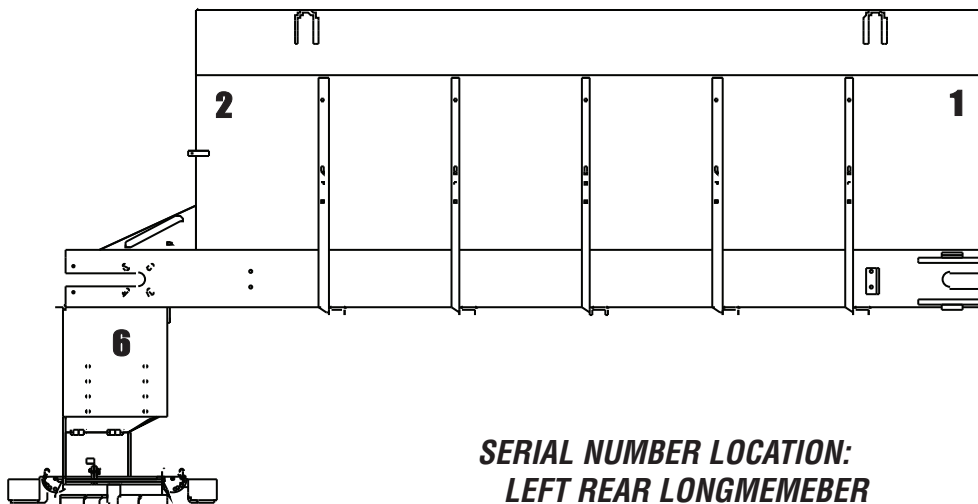


REAR VIEW



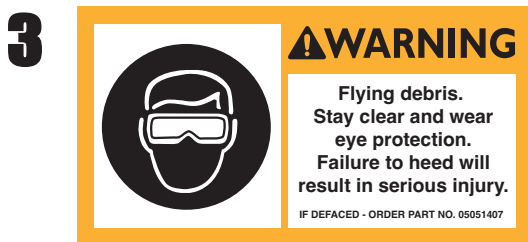
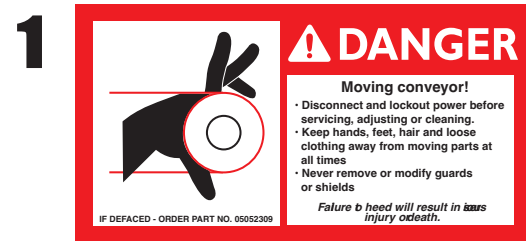
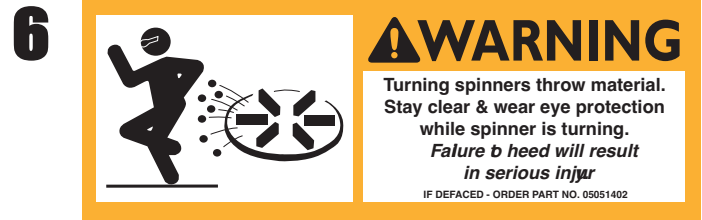
Denotes the location of the parts manual, canister and canister bracket. Reorder with the following part numbers:
05052330 Canister
05052331 Canister Bracket

PASSENGER SIDE



**SERIAL NUMBER LOCATION:
LEFT REAR LONGMEMEBER**

Safety Decal Location



Should you ever need replacement decals or parts/maintenance manuals, simply contact MTE and we will supply you with them FREE OF CHARGE. See bill of material for safety decal replacement part numbers.

Safety Decal Signal Words



DANGER (Red) indicates an imminently hazardous situation which, if not avoided, will result in death or serious injury.



WARNING (Orange) indicates a potentially hazardous situation which, if not avoided, could result in death or serious injury.



CAUTION (Yellow) indicates a potentially hazardous situation which, if not avoided, may result in minor or moderate injury.



CAUTION (Yellow) used without the safety risk alert symbol indicates a potentially hazardous situation which, if not avoided, may result in property damage.

! WARNING

Before working under the vehicle or around the spreader, shut off the truck engine and remove the key from the ignition. Prevent accidental startup and operation of the spreader to avoid personal injury!

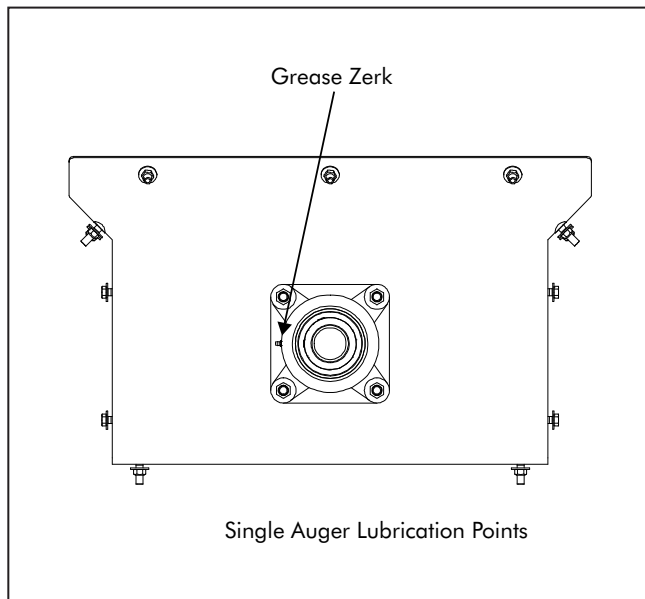
In-Season

Threaded Fasteners

- Re-torque all fasteners after the first 8 hours of use.
- Check for loose, damaged, and missing fasteners before each use.
- Inspect and re-torque all fasteners at the beginning of each snow season.

Grease Lubrication

- Lubricate grease fittings every 10 hours during normal use and more often during heavy use.
- Do not over-grease sealed bearings. Grease should not be pushed out past the seals on these bearings. Refer to the greasing chart for sealed bearings.



- If the hydraulic pump has a PTO driveshaft, grease the U-joints and slip joint at the same time as the other fittings.

Hydraulic System

- Tighten all hydraulic fittings after the first 8 hours of use.
- Inspect hydraulic fittings for leaks every week and tighten as required. If a hydraulic fitting continues to leak after being tightened, replace the fitting as soon as possible.
- Maintain the hydraulic oil level at the upper black line on the reservoir sight gauge. Use a high-grade, non-foaming hydraulic oil. Do not mix different types and grades of oil.
- Keep dirt and other contaminants out of the reservoir. Pour oil through filter or screen when adding oil. Never operate the system with the filler cap not installed.
- Change the hydraulic oil annually or more often if it appears milky or discolored, or if it smells burned. If the oil needs to be changed frequently, investigate for a source of contamination or system overheating.
- Change the oil filter after the first 50 hours of operation, and then every 6 months or when the pressure differential gauge indicates the filter is plugging.
- When quick-disconnects are separated, cover and cap the ends to prevent the entry of contaminants into the hydraulic system and possible impact damage to the ends.
- Inspect the hydraulic hoses for wear or damage every month.

Conveyor/Auger & Drive

- If a drive gearbox has a vent, keep the vent open and unobstructed. A blocked vent can cause seal damage.
- Check the oil level in the gearbox once a month during the in-service period.
- Change gearbox lubricant annually or more often if the oil turns milky, indicating water contamination. Use SAE 80-90 gear oil or the oil specified by the gearbox manufacturer.
- The slack on conveyor chains must be checked after the first 8 continuous hours of operation and then weekly during the in-service period. If the distance from the center of the rear sprocket and the point where the chain contacts the lower flange on the long member is less than 30", the chains must be tightened. Tighten the chains until the tension springs are compressed to approximately 5".
- Apply anti-seize lubricant to the threads on the chain adjuster bolts annually.

Routine Care

- Check the operation of the spreader before each use.
- Verify that the material gate (hopper door) jack operates smoothly through its full range.
- Verify that the conveyor runs smoothly and the spreader controller can vary the drive speed through its full range.
- Verify that the spinner runs smoothly and the spreader controller can vary the drive speed through its full range.
- Verify that the Blast function at the spreader controller is working properly (if applicable).
- If the controller uses ground speed to control the conveyor speed, verify that this function is working properly.
- Unless the vehicle is stored inside a heated building, empty the box of all granular material before parking the vehicle in freezing conditions. Wet or damp material will freeze solid inside the box, making the spreader unusable until it is thawed out.
- At the end of each storm event, remove all material from the box, then pressure-wash the underside of the chassis and the spreader, especially all horizontal surfaces.
Removing salt and other chemicals regularly will prolong the life of all components.

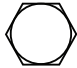


Maintenance Schedule

- Due to the harsh operating conditions of a spreader, regular inspection and maintenance is critical to safe operation and durability of the spreader. The owner or end user must create and enforce the use of an inspection and maintenance schedule.

Off Season

- Typically, the V-box spreader is removed from the vehicle and stored for the summer season.
- Remove all granular material from the box and pressure-wash it thoroughly to remove all dirt, salt, and other chemicals.
- When removing the V-box, use the supplied lifting eyes at the corners of the box (unless the V-box is a slide-in skid unit with legs).
- When hydraulic quick-disconnects are separated, cover and cap the ends to prevent the entry of contaminants into the hydraulic system and possible impact damage to the ends.
- Set the V-box on stable blocking to keep it off the ground. Remove the spinner assembly if required.
- Inspect the spreader closely for damage and make any required repairs immediately so that the spreader is ready to be reinstalled and used at the start of the next winter season.
- If possible, store the spreader indoors or under cover to reduce rusting and UV damage to hoses.
- Rust inhibitor may be applied to the chain, sprockets, and shafts to reduce rusting during storage.
- When reinstalling the spreader, replace any damaged fasteners and follow the fastener torquing guidelines for in-season use.

Torque Chart

SIZE	 GRADE 2	 GRADE 5	 GRADE 8
1/4-20	50 IN-LBS	75 IN-LBS	9 FT-LBS
3/8-16	15 FT-LBS	23 FT-LBS	35 FT-LBS
1/2-13	35 FT-LBS	55 FT-LBS	80 FT-LBS
5/8-11	75 FT-LBS	110 FT-LBS	170 FT-LBS
3/4-10	130 FT-LBS	200 FT-LBS	280 FT-LBS
1-8	190 FT-LBS	480 FT-LBS	680 FT-LBS
1 1/4-7	380 FT-LBS	840 FT-LBS	1,360 FT-LBS

Hydraulic Trouble Shooting Chart

<p>CONDITION 1 Pump cavitation recognized by excessive noise.</p> <p>CAUSE</p> <ul style="list-style-type: none"> • Air entering system through suction lines. • Suction line kinked, twisted or too long. • Inadequate size suction line. • Oil too heavy. • Excessive pump speed. <p>CORRECTION</p> <ul style="list-style-type: none"> • Check line from reservoir for possible leaks. • Install suction line as short and straight as possible. • Increase suction line size. • Drain and replace with a low viscosity non-detergent oil. • Decrease PTO speed accordingly. 	<p>CONDITION 2 Erratic operation of conveyor and/or spinner.</p> <p>CAUSE</p> <ul style="list-style-type: none"> • Low oil. • Worn or defective motor. • Dirty, worn or defective flow control valve. • Plugged filter. • Relief valve setting too low. • Pump cavitation. • Air vent on reservoir tank is blocked. <p>CORRECTION</p> <ul style="list-style-type: none"> • Fill reservoir to a $\frac{3}{4}$ full level. • Repair or replace motor.* • Clean, repair or replace flow control.* • Replace filter element and clean filter. • Adjust relief valve for 1500 PSI. • Refer to pump section. • Clean or replace vent cap to admit atmospheric pressure to inside of the tank.
<p>CONDITION 3 Slow operation of conveyor and/or spinner.</p> <p>CAUSE</p> <ul style="list-style-type: none"> • Worn or defective pump. • Worn or defective motor. • Pump cavitation. • Insufficient pump speed. <p>CORRECTION</p> <ul style="list-style-type: none"> • Repair or replace pump.* • Repair or replace motor.* • Refer to pump section. • Increase PTO accordingly. 	<p>CONDITION 4 Conveyor and/or spinner will not operate.</p> <p>CAUSE</p> <ul style="list-style-type: none"> • Quick disconnects are dirty, damaged, or improperly connected. • Hose connections wrong. • Foreign material in valve compensator. <p>CORRECTION</p> <ul style="list-style-type: none"> • Clean or replace and properly connect. • Refer to illustration. • Remove compensator and clean.

Installation Instructions

PERMANENT CHASSIS MOUNT

1. Hardwood wear strips usually 1 x 3 (not furnished) must be fitted to the truck chassis.
2. The V-Box should be positioned on the wooden wear strips so that a distance of approximately 6" should be left between the truck cab and the front of the V-Box. This will help facilitate any future servicing of the conveyor chain.
3. Parts of some side gussets may have to be cut out to clear the truck tires.
4. Hardware kits for permanent mount V-Boxes are used to attach the V-Box to the truck chassis.
5. **DO NOT** weld mounting angles to the truck frame. Doing so can cause fatigue-cracking of the truck frame.

SLIP-IN V-BOXES

1. Remove and store the dump box tailgate.
2. Place the V-Box in the dump body and push as far forward as possible. Longmembers must overhang the rear by approximately 22". If the dump body is not flat, it is suggested that the V-Box be placed on two 1 x 6 hardwood boards. This will help to evenly distribute the weight of the loaded V-Box on all of the cross channels.
3. The spinner assembly is slid into place on the rear of the spreader. The top flanges of the spinner extension box rest on top of the bottom flanges of the spreader main and can be slid into place. Use the 4 bolts to attach the spinner to the v-box.
4. The four **optional** tie-down bolts are hooked into the holes in the body side gussets (two on each side). The tie-down clips are slipped under the rail of the dump box or welded and the nut and jam nut tightened. An **optional** tailgate latch kit should also be installed.

NOTE: If swing-up spinner is used, longmembers must overhang rear of dump body a minimum of approximately 22".

Operating Instructions

CAUTION:

- When starting up new equipment, be sure everyone is standing clear, watch for anything that may require shutting system down.
- Be sure the On/Off control is completely to the OFF position before working in or around spreading equipment.

INITIAL START UP:

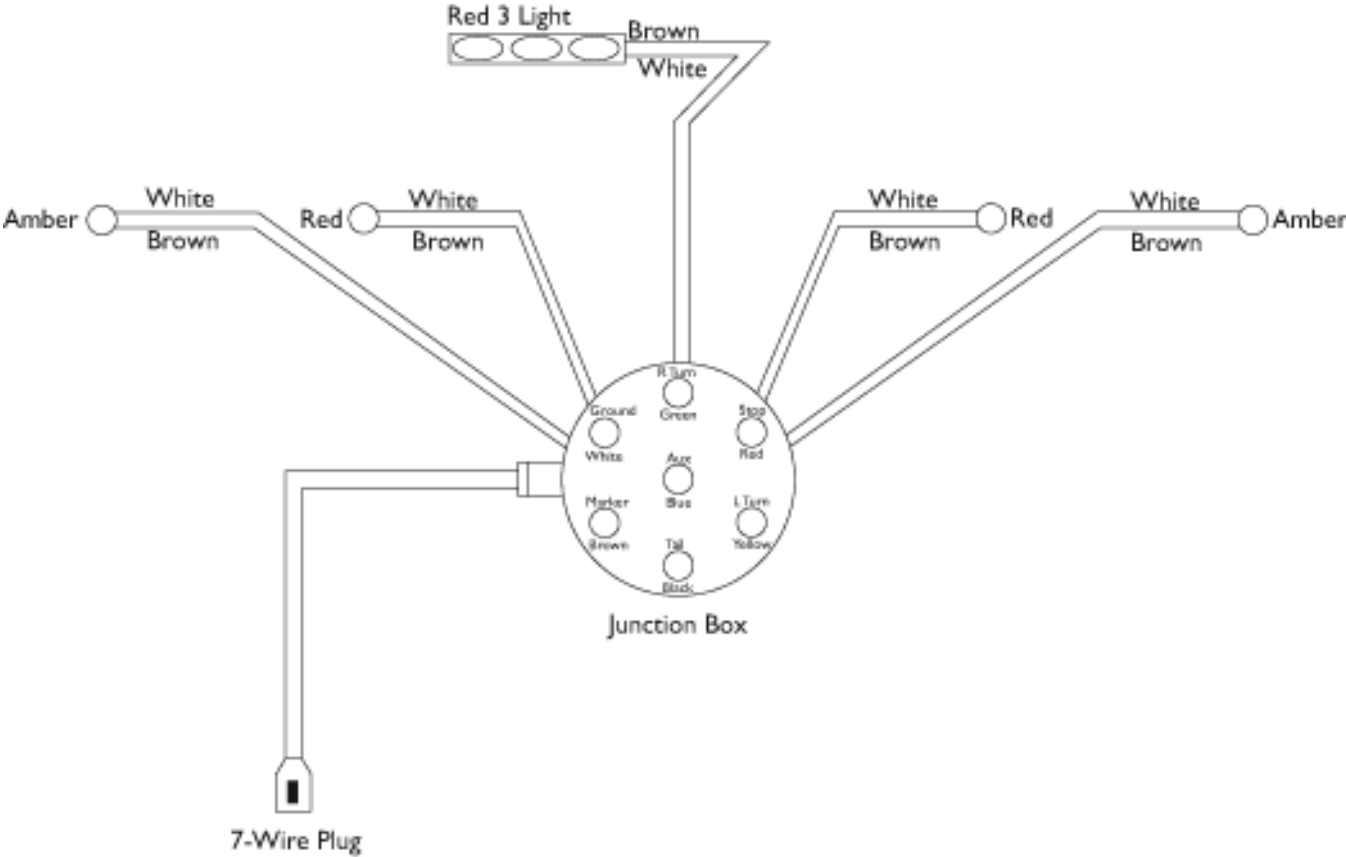
1. Fill reservoir about $\frac{3}{4}$ full with high-grade non-foaming hydraulic oil. **KEEP OIL CLEAN!**
2. Move valve on-off control to OFF position.
3. Open conveyor and spinner control on valve.
4. Engage PTO and allow hydraulic oil to circulate several minutes to warm up.
5. Move valve on-off control to ON position.
6. Check entire hydraulic system for leaks.
7. Examine conveyor and spinner to see if they are running in right direction.
8. Fill reservoir to $\frac{3}{4}$ full.
9. Hydraulic system is ready for use.

SPREADER OPERATION:

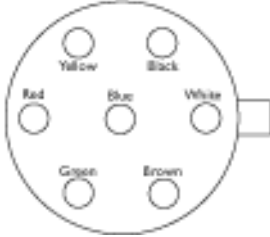
1. Start truck engine and allow hydraulic system to warm up by shutting off spinner and conveyor control and moving on-off control to ON position.
2. Operating the control marked "spinner" will increase the spinner speed and width of spread.
3. Operating the control marked "conveyor" will increase the conveyor speed and thus the amount of material spread.
4. The gate on the rear of the box will also allow more material to pass to the spinner when opened wider.
5. The spread pattern can be controlled by rotating the entire spinner chute assembly 180°. If the material is dropped on the front of the disc (**top mounted motor in front**) it will be spread behind and to the right of the truck. If material is dropped on the rear of the disc (**top mounted motor in rear**) it will be spread behind and to the left of the truck. The baffles inside the assembly will also further control the pattern left to right. Experimenting with the different positions will help to adjust the spread pattern as desired.
6. The control valve may be turned on and off or adjusted while truck is in motion.
7. Spinner and conveyor may be stopped at the same time without changing their valve settings by moving the on-off control to OFF position.

Optional Wiring Schematic

Install the lights and connect the wiring using the diagram below.

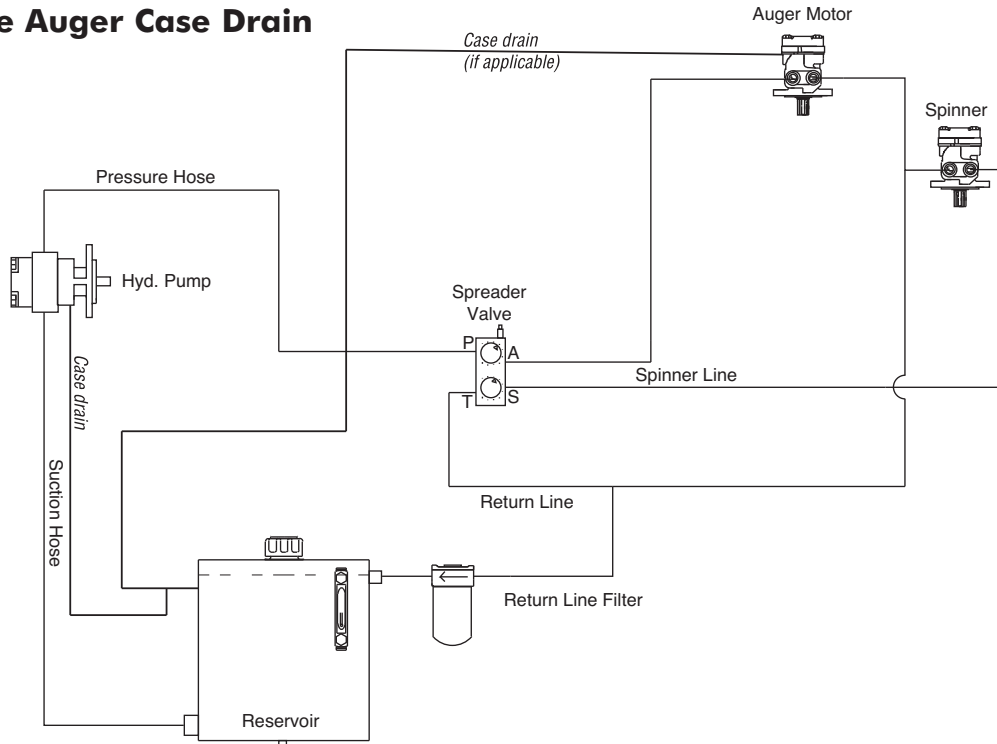


Matching View
Cole Hersee Plug



Hydraulic Schematics

Single Auger Case Drain



Proper Installation of Hydraulic Pump and Motor Case Drain:

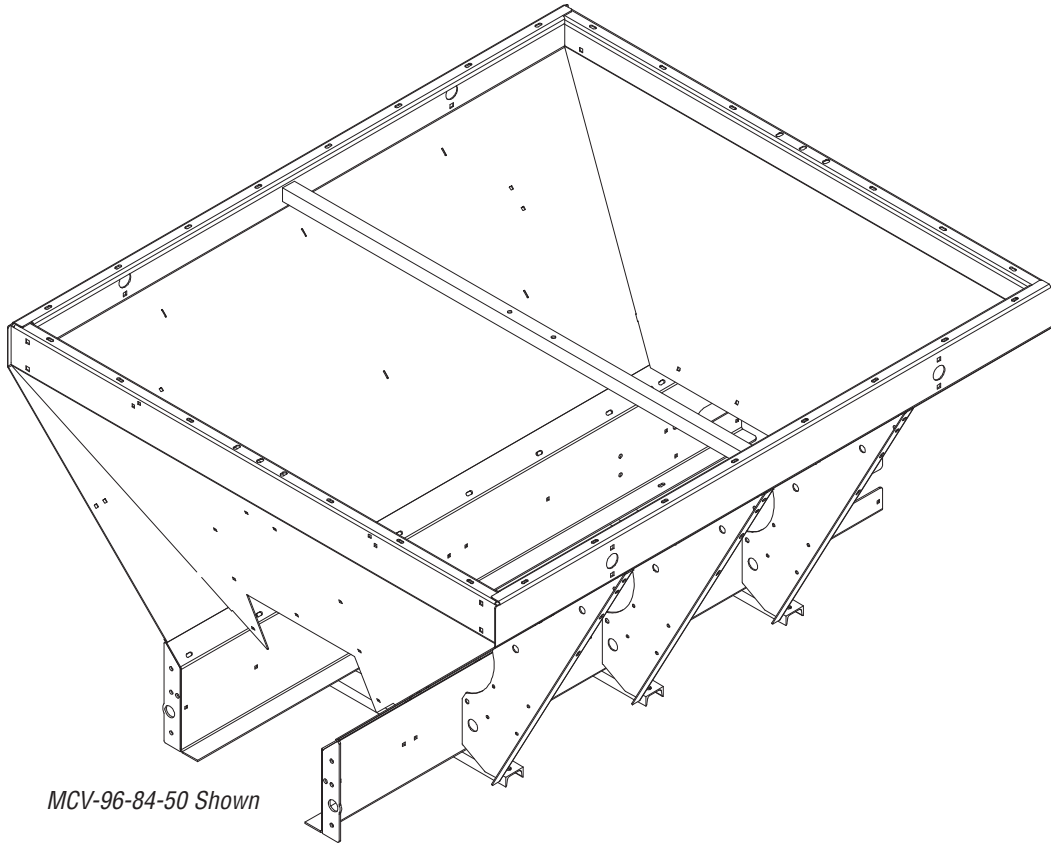
External case drains on pumps or motors must be plumbed separately back to the oil tank. The case drain flow must enter the tank through a dedicated tank penetration; it must not pass through the return filter or tee into any other oil return circuit.

Case drain flows should not pass through the return filter due to the possibility of high differential pressure at the filter. High D/P when the hydraulic fluid is cold and/or due to poor maintenance of the filter can raise the return circuit pressure high enough to damage the pump/motor internals. (The lack of filtration of the case drain flow is not considered an issue due to the small volume passing through the pump or motor. If a filter is added to the case drain circuit, the filter element should be rated at no less than 125 micron.)

Ideally, the case drain penetration should be higher than the pump/motor case port and should be connected to a drop-pipe inside the reservoir that extends below minimum fluid level.

Design and detailing of a hydraulic system using pumps and/or motors with external case drains must include required oil tank penetrations, hose and labor for creating dedicated drain return circuits, and quick disconnects for the drain returns as required.

Notes



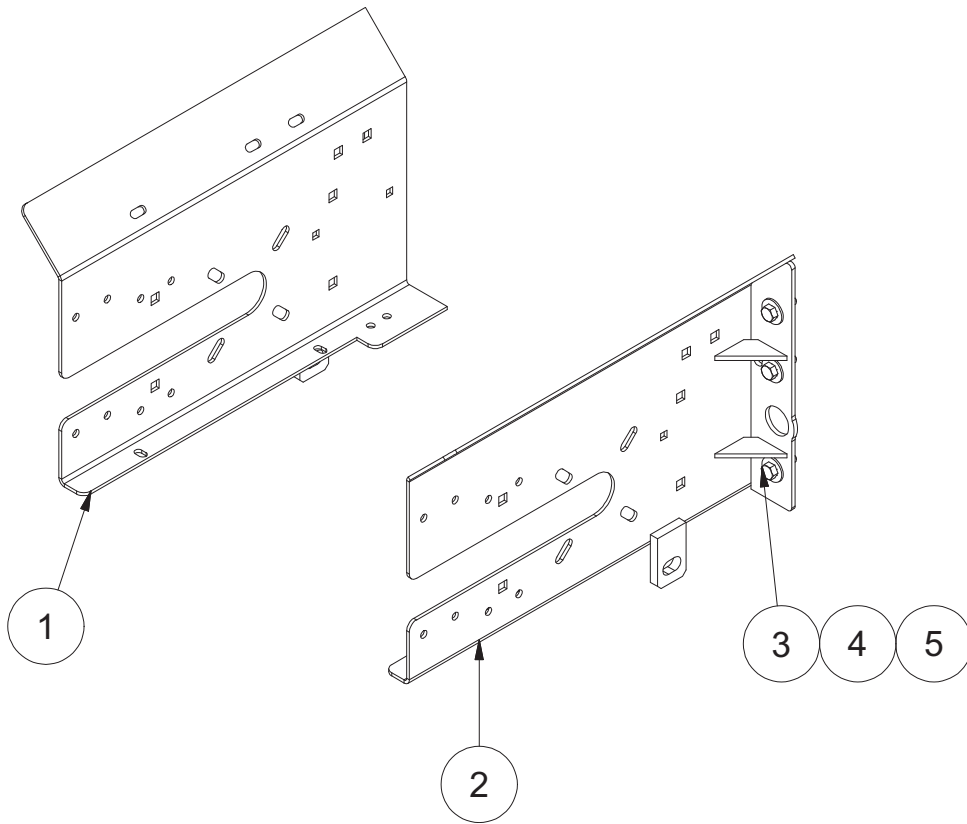
MCV-96-84-50 Shown

MCV HOPPER WELDMENTS			
DESCRIPTION	PN# MILD STEEL	PN# 304 STAINLESS STEEL	PN# AUSST
MCV-96-84-50	00143490-A	00143490-B	00143490-C
MCV-96-84-56	00143491-A	00143491-B	00143491-C
MCV-108-84-50	00143492-A	00143492-B	00143492-C
MCV-108-84-56	00143493-A	00143493-B	00143493-C
MCV-120-84-50	00131226-A	00131226-B	00131226-C
MCV-120-84-56	00136568-A	00136568-B	00136568-C
MCV-120-84-62	00143826-A	00143826-B	00143826-C
MCV-120-84-68	00143827-A	00143827-B	00143827-C
MCV-132-84-50	00133487-A	00133487-B	00133487-C
MCV-132-84-56	00143494-A	00143494-B	00143494-C
MCV-132-84-62	00143828-A	00143828-B	00143828-C
MCV-132-84-68	00143829-A	00143829-B	00143829-C

MCV HOPPER WELDMENTS

<i>DESCRIPTION</i>	<i>PN# MILD STEEL</i>	<i>PN# 304 STAINLESS STEEL</i>	<i>PN# AUSST</i>
MCV-144-84-50	00143495-A	00143495-B	00143495-C
MCV-144-84-56	00137767-A	00137767-B	00137767-C
MCV-144-84-62	00143830-A	00143830-B	00143830-C
MCV-144-84-68	00143831-A	00143831-B	00143831-C
MCV-156-84-50	00138045-A	00138045-B	00138045-C
MCV-156-84-56	00141972-A	00141972-B	00141972-C
MCV-156-84-62	00143832-A	00143832-B	00143832-C
MCV-156-84-68	00143833-A	00143833-B	00143833-C
MCV-168-84-50	00139339-A	00139339-B	00139339-C
MCV-168-84-56	00143496-A	00143496-B	00143496-C
MCV-168-84-62	00143834-A	00143834-B	00143834-C
MCV-168-84-68	00143835-A	00143835-B	00143835-C
MCV-180-84-50	00143497-A	00143497-B	00143497-C
MCV-180-84-56	00143498-A	00143498-B	00143498-C
MCV-180-84-62	00143836-A	00143836-B	00143836-C
MCV-180-84-68	00143837-A	00143837-B	00143837-C
MCV-192-84-50	00143809-A	00143809-B	00143809-C
MCV-192-84-56	00143810-A	00143810-B	00143810-C
MCV-192-84-62	00143838-A	00143838-B	00143838-C
MCV-192-84-68	00143839-A	00143839-B	00143839-C
MCV-204-84-50	00143811-A	00143811-B	00143811-C
MCV-204-84-56	00143812-A	00143812-B	00143812-C
MCV-204-84-62	00143840-A	00143840-B	00143840-C
MCV-204-84-68	00143841-A	00143841-B	00143841-C
MCV-216-84-50	00143813-A	00143813-B	00143813-C
MCV-216-84-56	00143814-A	00143814-B	00143814-C
MCV-216-84-62	00143842-A	00143842-B	00143842-C
MCV-216-84-68	00143843-A	00143843-B	00143843-C

TAIL KIT



00132431 TAIL KIT, LMBR, MCV, AUG, BOLT-ON

Item	Qty.	Part Number	Description
1	1	00131234-A 00131234-B 00131234-C	TAIL WELDMENT, LMBR, MCV, AUG, LH, MS TAIL WELDMENT, LMBR, MCV, AUG, LH, 304 SST TAIL WELDMENT, LMBR, MCV, AUG, LH, AUSST
2	1	00131235-A 00131235-B 00131235-C	TAIL WELDMENT, LMBR, MCV, AUG, RH, MS TAIL WELDMENT, LMBR, MCV, AUG, RH, 304 SST TAIL WELDMENT, LMBR, MCV, AUG, RH, AUSST
3	6	05010691 05016096	BOLT, .5-13 X 1.50, G8, HHCS, ZINC BOLT, .5-13 X 1.5, HHCS, SST
4	6	05020847 05020908	NUT, .5-13, GC, TOP LOCK, C&W NUT, .5-13, NYLON LOCK, 316 SST
5	12	05021309 05021391	WASHER, .5, FLAT, ZINC WASHER, .5, FLAT, SST

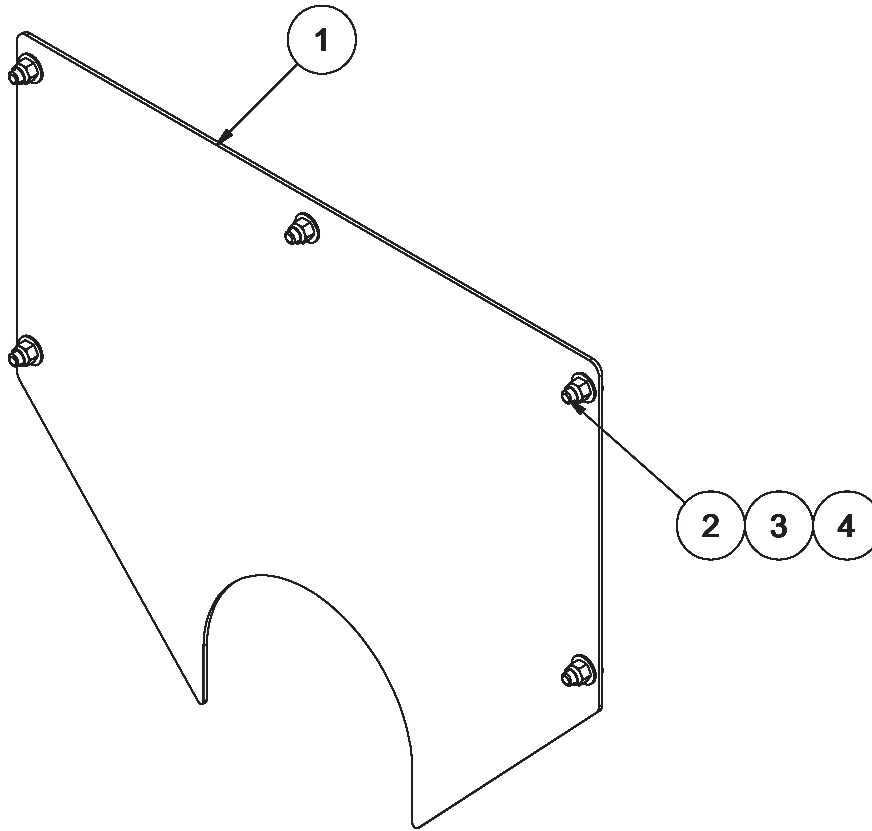
00139317 TAIL KIT, LMBR, MCV, AUG, BOLT-ON Y-CHUTE SPINNER

Item	Qty.	Part Number	Description
1	1	00139315-A 00139315-B 00139315-C	TAIL WELDMENT, LMBR, MCV, AUG, LH, MS TAIL WELDMENT, LMBR, MCV, AUG, LH, 304 SST TAIL WELDMENT, LMBR, MCV, AUG, LH, AUSST
2	1	00139316-A 00139316-B 00139316-C	TAIL WELDMENT, LMBR, MCV, AUG, RH, MS TAIL WELDMENT, LMBR, MCV, AUG, RH, 304 SST TAIL WELDMENT, LMBR, MCV, AUG, RH, AUSST
3	6	05010691 05016096	BOLT, .5-13 X 1.50, G8, HHCS, ZINC BOLT, .5-13 X 1.5, HHCS, SST
4	6	05020847 05020908	NUT, .5-13, GC, TOP LOCK, C&W NUT, .5-13, NYLON LOCK, 316 SST
5	12	05021309 05021391	WASHER, .5, FLAT, ZINC WASHER, .5, FLAT, SST

00135085 TAIL KIT, LMBR, MCV, AUG, COMBO

Item	Qty.	Part Number	Description
1	1	00135082-A 00135082-B 00135082-C	TAIL WELDMENT, LMBR, MCV, AUG, LH, MS TAIL WELDMENT, LMBR, MCV, AUG, LH, 304 SST TAIL WELDMENT, LMBR, MCV, AUG, LH, AUSST
2	1	00135083-A 00135083-B 00135083-C	TAIL WELDMENT, LMBR, MCV, AUG, RH, MS TAIL WELDMENT, LMBR, MCV, AUG, RH, 304 SST TAIL WELDMENT, LMBR, MCV, AUG, RH, AUSST
3	6	05010691 05016096	BOLT, .5-13 X 1.50, G8, HHCS, ZINC BOLT, .5-13 X 1.5, HHCS, SST
4	6	05020847 05020908	NUT, .5-13, GC, TOP LOCK, C&W NUT, .5-13, NYLON LOCK, 316 SST
5	12	05021309 05021391	WASHER, .5, FLAT, ZINC WASHER, .5, FLAT, SST

DOOR KIT/FRONT & REAR PANELS



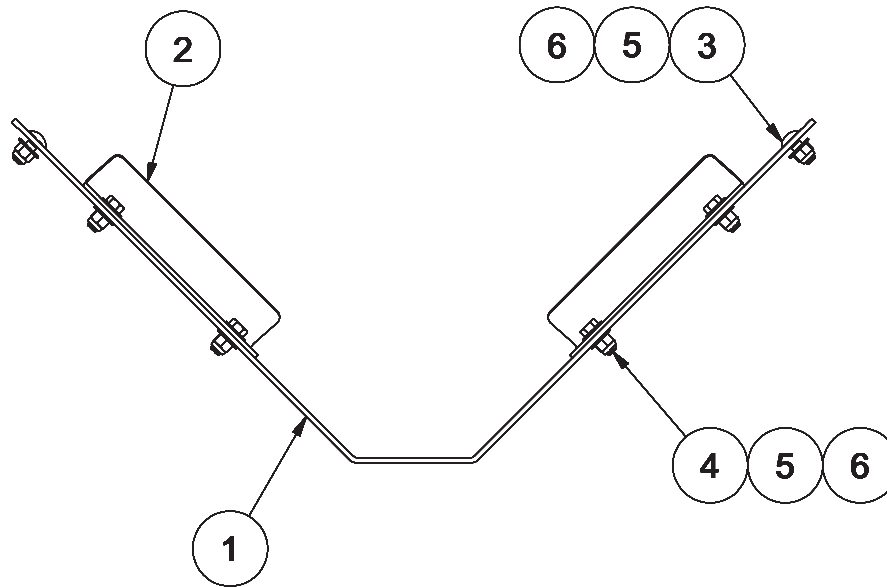
00137763 COVER PANEL KIT, MCV, AUG

Item	Qty	Part Number	Description
1	1	00137750-A	COVER PLATE, RR PANEL, MCV, MS
		00137750-B	COVER PLATE, RR PANEL, MCV, 304
		00137750-C	COVER PLATE, RR PANEL, MCV, AUSST
2	5	05013986	BOLT, .375-16 X 1, G5, CARRIAGE, ZINC
		05016003	BOLT, .375-16 X 1, CARRIAGE, SST
3	5	05020898	NUT, .375-16, GC, TOP LOCK, C&W
		05020891	NUT, .375-16, NYLON LOCK, 316 SST
4	5	05021307	WASHER, .375, FLAT, ZINC
		05021390	WASHER, .375, FLAT, SST

00142541 COVER PANEL KIT, MCV, AUG, 12GA

Item	Qty	Part Number	Description
1	1	00142540-A	COVER PLATE, RR PANEL, MCV, AUG, MS
		00142540-B	COVER PLATE, RR PANEL, MCV, AUG, 304
		00142540-C	COVER PLATE, RR PANEL, MCV, AUG, AUSST
2	5	05013986	BOLT, .375-16 X 1, G5, CARRIAGE, ZINC
		05016003	BOLT, .375-16 X 1, CARRIAGE, SST
3	5	05021307	WASHER, .375, FLAT, ZINC
		05021390	WASHER, .375, FLAT, SST
4	5	05020898	NUT, .375-16, GC, TOP LOCK, C&W
		05020891	NUT, .375-16, NYLON LOCK, 316 SST

TROUGH KITS



00137752 TROUGH KIT, AUG, MCV, 8'

Item	Qty	Part Number	Description
1	1	00137738-A 00137738-B 00137738-C	TROUGH, AUG, MCV, 8', 7GA, MS TROUGH, AUG, MCV, 8', 7GA, 304SST TROUGH, AUG, MCV, 8', 7GA, AUSST
2	2	00113888-A 00113888-B 00113888-C	BRACE, RR PANEL, AUG, MS BRACE, RR PANEL, AUG, 304 BRACE, RR PANEL, AUG, AUSST
3	18	05013986 05016003	BOLT, .375-16 X 1, CARRIAGE, ZINC BOLT, .375-16 X 1, CARRIAGE, SST
4	4	05010643 05016034	BOLT, .375-16 X 1, G8, HHCS, ZINC BOLT, .375-16 X 1, HHCS, SST
5	22	05020912 05020891	NUT, .375-16, G8, NYLON LOCK, ZINC NUT, .375-16, NYLON LOCK, 316 SST
6	26	05021307 05021390	WASHER, .375, FLAT, ZINC WASHER, .375, FLAT, SST

00137753 TROUGH KIT, AUG, MCV, 9'

Item	Qty	Part Number	Description
1	1	00137739-A 00137739-B 00137739-C	TROUGH, AUG, MCV, 9', 7GA, MS TROUGH, AUG, MCV, 9', 7GA, 304 SST TROUGH, AUG, MCV, 9', 7GA, AUSST
2	2	00113888-A 00113888-B 00113888-C	BRACE, RR PANEL, AUG, MS BRACE, RR PANEL, AUG, 304 BRACE, RR PANEL, AUG, AUSST
3	20	05013986 05016003	BOLT, .375-16 X 1, CARRIAGE, ZINC BOLT, .375-16 X 1, CARRIAGE, SST
4	4	05010643 05016034	BOLT, .375-16 X 1, G8, HHCS, ZINC BOLT, .375-16 X 1, HHCS, SST
5	24	05020912 05020891	NUT, .375-16, G8, NYLON LOCK, ZINC NUT, .375-16, NYLON LOCK, 316 SST
6	28	05021307 05021390	WASHER, .375, FLAT, ZINC WASHER, .375, FLAT, SST

00137754 TROUGH KIT, AUG, MCV, 10'

Item	Qty	Part Number	Description
1	1	00137740-A 00137740-B 00137740-C	TROUGH, AUG, MCV, 10', 7GA, MS TROUGH, AUG, MCV, 10', 7GA, 304 SST TROUGH, AUG, MCV, 10', 7GA, AUSST
2	2	00113888-A 00113888-B 00113888-C	BRACE, RR PANEL, AUG, MS BRACE, RR PANEL, AUG, 304 BRACE, RR PANEL, AUG, AUSST
3	22	05013986 05016003	BOLT, .375-16 X 1, CARRIAGE, ZINC BOLT, .375-16 X 1, CARRIAGE, SST
4	4	05010643 05016034	BOLT, .375-16 X 1, G8, HHCS, ZINC BOLT, .375-16 X 1, HHCS, SST
5	26	05020912 05020891	NUT, .375-16, G8, NYLON LOCK, ZINC NUT, .375-16, NYLON LOCK, 316 SST
6	30	05021307 05021390	WASHER, .375, FLAT, ZINC WASHER, .375, FLAT, SST

00137755 TROUGH KIT, AUG, MCV, 11'

Item	Qty	Part Number	Description
1	1	00137741-A 00137741-B 00137741-C	TROUGH, AUG, MCV, 11', 7GA, MS TROUGH, AUG, MCV, 11', 7GA, 304 SST TROUGH, AUG, MCV, 11', 7GA, AUSST
2	2	00113888-A 00113888-B 00113888-C	BRACE, RR PANEL, AUG, MS BRACE, RR PANEL, AUG, 304 BRACE, RR PANEL, AUG, AUSST
3	24	05013986 05016003	BOLT, .375-16 X 1, CARRIAGE, ZINC BOLT, .375-16 X 1, CARRIAGE, SST
4	4	05010643 05016034	BOLT, .375-16 X 1, G8, HHCS, ZINC BOLT, .375-16 X 1, HHCS, SST
5	28	05020912 05020891	NUT, .375-16, G8, NYLON LOCK, ZINC NUT, .375-16, NYLON LOCK, 316 SST
6	32	05021307 05021390	WASHER, .375, FLAT, ZINC WASHER, .375, FLAT, SST

00137756 TROUGH KIT, AUG, MCV, 12'

Item	Qty	Part Number	Description
1	1	00137742-A 00137742-B 00137742-C	TROUGH, AUG, MCV, 12', 7GA, MS TROUGH, AUG, MCV, 12', 7GA, 304SST TROUGH, AUG, MCV, 12', 7GA, AUSST
2	2	00113888-A 00113888-B 00113888-C	BRACE, RR PANEL, AUG, MS BRACE, RR PANEL, AUG, 304 BRACE, RR PANEL, AUG, AUSST
3	26	05013986 05016003	BOLT, .375-16 X 1, CARRIAGE, ZINC BOLT, .375-16 X 1, CARRIAGE, SST
4	4	05010643 05016034	BOLT, .375-16 X 1, G8, HHCS, ZINC BOLT, .375-16 X 1, HHCS, SST
5	30	05020912 05020891	NUT, .375-16, G8, NYLON LOCK, ZINC NUT, .375-16, NYLON LOCK, 316 SST
6	34	05021307 05021390	WASHER, .375, FLAT, ZINC WASHER, .375, FLAT, SST

00137757 TROUGH KIT, AUG, MCV, 13'

Item	Qty	Part Number	Description
1	1	00137743-A 00137743-B 00137743-C	TROUGH, AUG, MCV, 13', 7GA, MS TROUGH, AUG, MCV, 13', 7GA, 304SST TROUGH, AUG, MCV, 13', 7GA, AUSST
2	2	00113888-A 00113888-B 00113888-C	BRACE, RR PANEL, AUG, MS BRACE, RR PANEL, AUG, 304 BRACE, RR PANEL, AUG, AUSST
3	28	05013986 05016003	BOLT, .375-16 X 1, CARRIAGE, ZINC BOLT, .375-16 X 1, CARRIAGE, SST
4	4	05010643 05016034	BOLT, .375-16 X 1, G8, HHCS, ZINC BOLT, .375-16 X 1, HHCS, SST
5	32	05020912 05020891	NUT, .375-16, G8, NYLON LOCK, ZINC NUT, .375-16, NYLON LOCK, 316 SST
6	36	05021307 05021390	WASHER, .375, FLAT, ZINC WASHER, .375, FLAT, SST

00137758 TROUGH KIT, AUG, MCV, 14'

Item	Qty	Part Number	Description
1	1	00137744-A 00137744-B 00137744-C	TROUGH, AUG, MCV, 14', 7GA, MS TROUGH, AUG, MCV, 14', 7GA, 304SST TROUGH, AUG, MCV, 14', 7GA, AUSST
2	2	00113888-A 00113888-B 00113888-C	BRACE, RR PANEL, AUG, MS BRACE, RR PANEL, AUG, 304 BRACE, RR PANEL, AUG, AUSST
3	30	05013986 05016003	BOLT, .375-16 X 1, CARRIAGE, ZINC BOLT, .375-16 X 1, CARRIAGE, SST
4	4	05010643 05016034	BOLT, .375-16 X 1, G8, HHCS, ZINC BOLT, .375-16 X 1, HHCS, SST
5	34	05020912 05020891	NUT, .375-16, G8, NYLON LOCK, ZINC NUT, .375-16, NYLON LOCK, 316 SST
6	38	05021307 05021390	WASHER, .375, FLAT, ZINC WASHER, .375, FLAT, SST

00137759 TROUGH KIT, AUG, MCV, 15'

Item	Qty	Part Number	Description
1	1	00137745-A 00137745-B 00137745-C	TROUGH, AUG, MCV, 15', 7GA, MS TROUGH, AUG, MCV, 15', 7GA, 304SST TROUGH, AUG, MCV, 15', 7GA, AUSST
2	2	00113888-A 00113888-B 00113888-C	BRACE, RR PANEL, AUG, MS BRACE, RR PANEL, AUG, 304 BRACE, RR PANEL, AUG, AUSST
3	32	05013986 05016003	BOLT, .375-16 X 1, CARRIAGE, ZINC BOLT, .375-16 X 1, CARRIAGE, SST
4	4	05010643 05016034	BOLT, .375-16 X 1, G8, HHCS, ZINC BOLT, .375-16 X 1, HHCS, SST
5	36	05020912 05020891	NUT, .375-16, G8, NYLON LOCK, ZINC NUT, .375-16, NYLON LOCK, 316 SST
6	40	05021307 05021390	WASHER, .375, FLAT, ZINC WASHER, .375, FLAT, SST

00137760 TROUGH KIT, AUG, MCV, 16'

Item	Qty	Part Number	Description
1	1	00137746-A 00137746-B 00137746-C	TROUGH, AUG, MCV, 16', 7GA, MS TROUGH, AUG, MCV, 16', 7GA, 304SST TROUGH, AUG, MCV, 16', 7GA, AUSST
2	2	00113888-A 00113888-B 00113888-C	BRACE, RR PANEL, AUG, MS BRACE, RR PANEL, AUG, 304 BRACE, RR PANEL, AUG, AUSST
3	34	05013986 05016003	BOLT, .375-16 X 1, CARRIAGE, ZINC BOLT, .375-16 X 1, CARRIAGE, SST
4	4	05010643 05016034	BOLT, .375-16 X 1, G8, HHCS, ZINC BOLT, .375-16 X 1, HHCS, SST
5	38	05020912 05020891	NUT, .375-16, G8, NYLON LOCK, ZINC NUT, .375-16, NYLON LOCK, 316 SST
6	42	05021307 05021390	WASHER, .375, FLAT, ZINC WASHER, .375, FLAT, SST

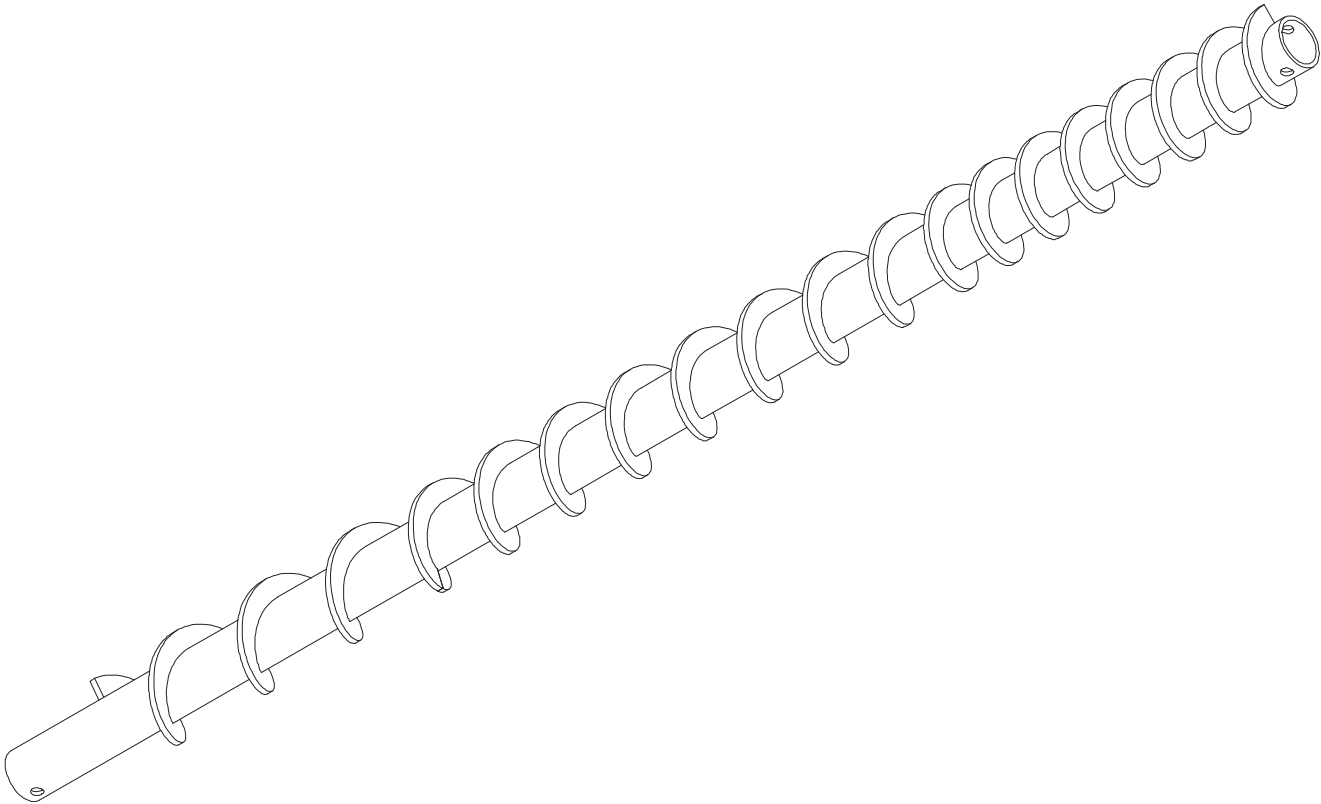
00137761 TROUGH KIT, AUG, MCV, 17'

Item	Qty	Part Number	Description
1	1	00143804-A 00143804-B 00143804-C	TROUGH, AUG, MCV, 17', 7GA, MS TROUGH, AUG, MCV, 17', 7GA, 304SST TROUGH, AUG, MCV, 17', 7GA, AUSST
2	2	00113888-A 00113888-B 00113888-C	BRACE, RR PANEL, AUG, MS BRACE, RR PANEL, AUG, 304 BRACE, RR PANEL, AUG, AUSST
3	36	05013986 05016003	BOLT, .375-16 X 1, CARRIAGE, ZINC BOLT, .375-16 X 1, CARRIAGE, SST
4	4	05010643 05016034	BOLT, .375-16 X 1, G8, HHCS, ZINC BOLT, .375-16 X 1, HHCS, SST
5	40	05020912 05020891	NUT, .375-16, G8, NYLON LOCK, ZINC NUT, .375-16, NYLON LOCK, 316 SST
6	44	05021307 05021390	WASHER, .375, FLAT, ZINC WASHER, .375, FLAT, SST

00137762 TROUGH KIT, AUG, MCV, 18'

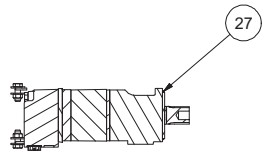
Item	Qty	Part Number	Description
1	1	00143805-A 00143805-B 00143805-C	TROUGH, AUG, MCV, 18', 7GA, MS TROUGH, AUG, MCV, 18', 7GA, 304SST TROUGH, AUG, MCV, 18', 7GA, AUSST
2	2	00113888-A 00113888-B 00113888-C	BRACE, RR PANEL, AUG, MS BRACE, RR PANEL, AUG, 304 BRACE, RR PANEL, AUG, AUSST
3	38	05013986 05016003	BOLT, .375-16 X 1, CARRIAGE, ZINC BOLT, .375-16 X 1, CARRIAGE, SST
4	4	05010643 05016034	BOLT, .375-16 X 1, G8, HHCS, ZINC BOLT, .375-16 X 1, HHCS, SST
5	42	05020912 05020891	NUT, .375-16, G8, NYLON LOCK, ZINC NUT, .375-16, NYLON LOCK, 316 SST
6	46	05021307 05021390	WASHER, .375, FLAT, ZINC WASHER, .375, FLAT, SST

AUGER WELDMENTS (7.0 OD X 4.0 ID)

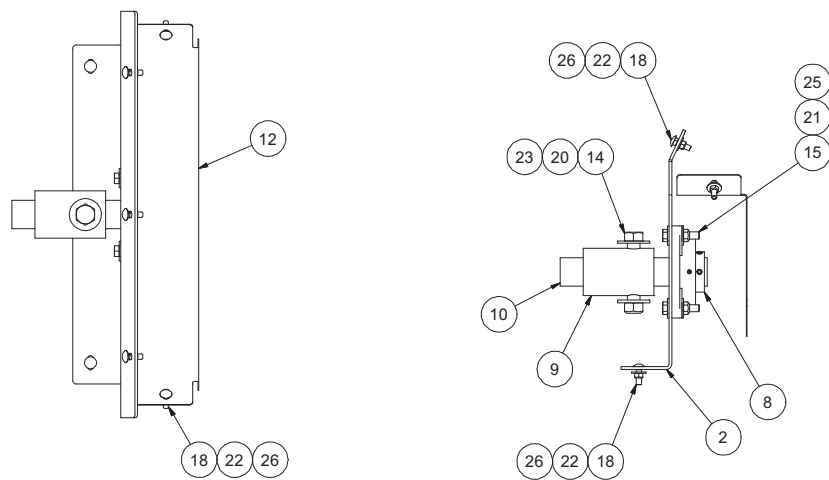
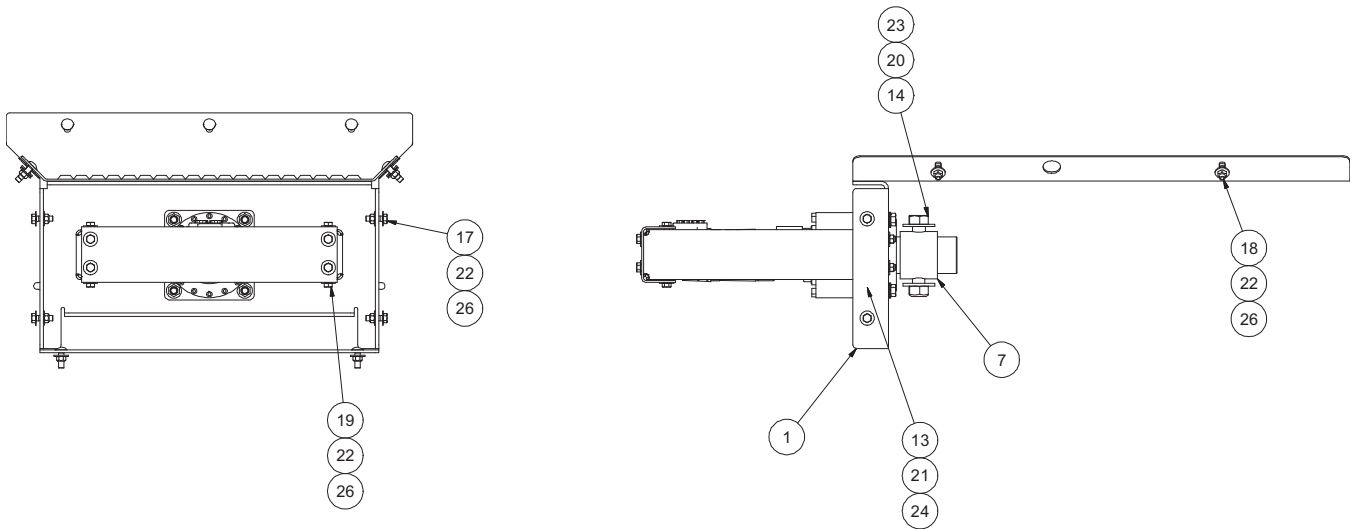
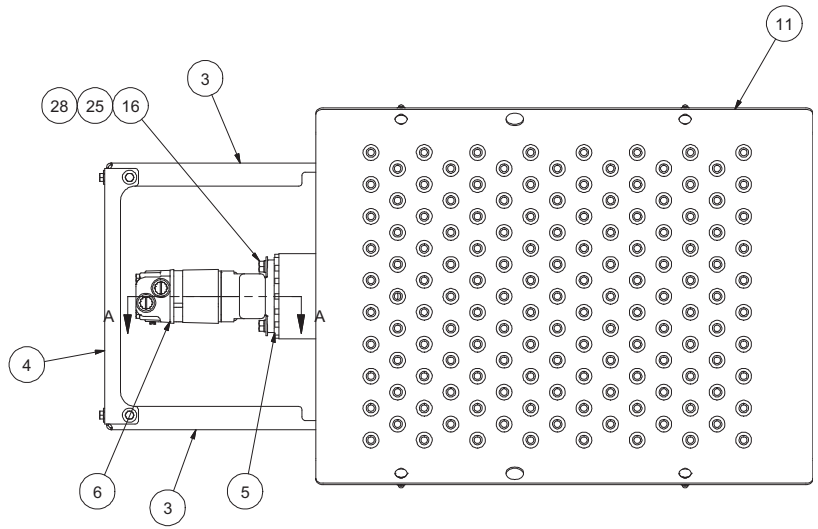


Auger Weldments for Planetary Gearboxes

DESCRIPTION	STANDARD	HARD SURFACE
8' LH	00133472	00143844
9' LH	00135024	00143846
10' LH	00131237	00135255
11' LH	00135026	00142028
12' LH	00135028	00137726
13' LH	00135030	00143848
14' LH	00135032	00135091
15' LH	00132496	00143850
16' LH	00135034	00137730
17' LH	---	---
18' LH	---	---

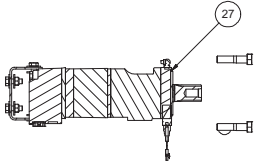


SECTION A-A

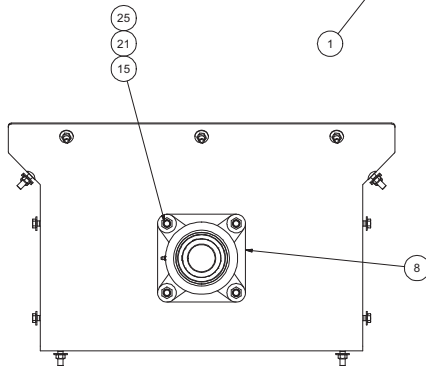
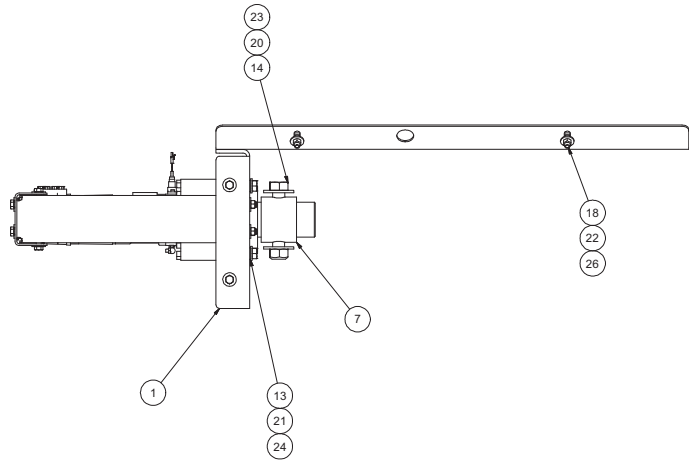
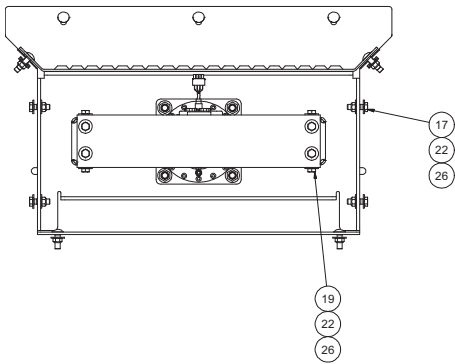
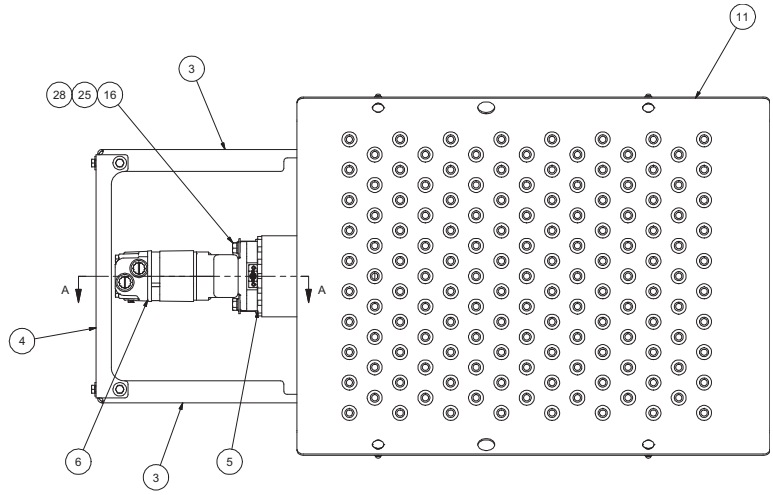


00137764 DRIVE KIT, MCV, SA, W/O SP SNSR

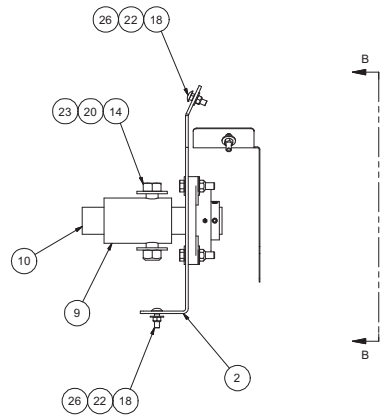
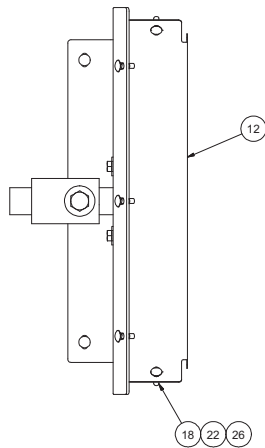
ITEM	QTY	PART NUMBER	DESCRIPTION
1	1	00137751-A	MTG PLATE,MTR,MCV,SA,MS,.250
1	1	00137751-B	MTG PLATE,MTR,MCV,SA,304.250
1	1	00137751-C	MTG PLATE,MTR,MCV,SA,AUSS,.250
2	1	00137749-A	MTG PLATE,BEARING,MCV,SA
2	1	00137749-B	MTG PLATE,BEASRING,MCV,SA
2	1	00137749-C	MTG PLATE,BEASRING,MCV,SA
3	2	00131248-A	SIDE RAIL,MTR GD,MCV,AUG,MS
3	2	00131248-B	SIDE RAIL,MTR GD,MCV,AUG,304
3	2	00131248-C	SIDE RAIL,MTR GD,MCV,AUG,AUSST
4	1	00131249-A	REAR RAIL,MTR GR,MCV,AUG,MS
4	1	00131249-B	REAR RAIL,MTR GD,MCV,AUG,304
4	1	00131249-C	REAR RAIL,MTR GD,MCV,AUG,AUSST
5	1	05007426	GEARBOX,PLNTY,3.6:1,SAE 2B <i>See Page 109</i>
6	1	05006706	MOTOR,HYD,WHITE,24.9CI,2B,1.25 <i>See Page 112</i>
7	1	00131201	BUSHING,MCV,AUGER DRIVE
8	1	05030006	BEARING,2",4B FLANGE,MSV-MV
9	1	00131244	BUSHING,MCV,AUGER.IDLER
10	1	00131245	SHAFT PIN,AUGER,MCV,IDLER
11	1	00131247-A	COVER,AUGER,MCV,MS
11	1	00131247-B	COVER,AUGER,MCV,304
11	1	00131247-C	COVER,AUGER,MCV,AUSST
12	1	00132433-A	COVER PL,FR BRG,MCV AUG,MS
12	1	00132433-B	COVER PL,FR BRG,MCV AUG,304
13	4	00075580-B	BUSHING,SS,.840 ODx.546IDx.313
14	2	05017128	BOLT .875-9 x 5.00 G8 HHCS ZC
15	8	05010694	BOLT .500-13 x 2.25 G8 HHCS ZC
15	8	05016206	BOLT .500-13 x 2.25 HHCS SST
16	2	05010692	BOLT .500-13 x 1.75 G8 HHCS ZC
16	2	05016204	BOLT .500-13 x 1.75 HHCS SST
17	4	05010644	BOLT .375-16 x 1.25 G8 HHCS ZC
17	4	05016049	BOLT .375-16 x 1.25 HHCS SST
18	11	05016746	BOLT .375-16 x 1.25 CRG SST
19	12	05016034	BOLT .375-16 x 1.00 HHCS SST
20	2	05020969	NUT .875-9 GC TOPLOCK C&W
21	8	05020847	NUT .500-13 GC TOPLOCK C&W
21	8	05020908	NUT .500-13 NYLON LOCK 316 SST
22	27	05020898	NUT .375-16 GC TOPLOCK C&W
22	27	05020891	NUT .375-16 NYLON LOCK 316 SST
23	4	05021313	WASHER .875 FLAT ZC
24	8	05021005	WASHER .500 FLAT MIL-CARB SAE
25	10	05021309	WASHER .500 FLAT ZC
25	10	05021391	WASHER .500 FLAT SST
26	43	05021307	WASHER .375 FLAT ZC
26	43	05021390	WASHER .375 FLAT SST
27	1	05052993	O-RING,.125"THK,3.193"OD,2.987
28	2	05021367	WASHER .500 LOCK ZC
28	2	05021396	WASHER .500 LOCK SST



SECTION A-A

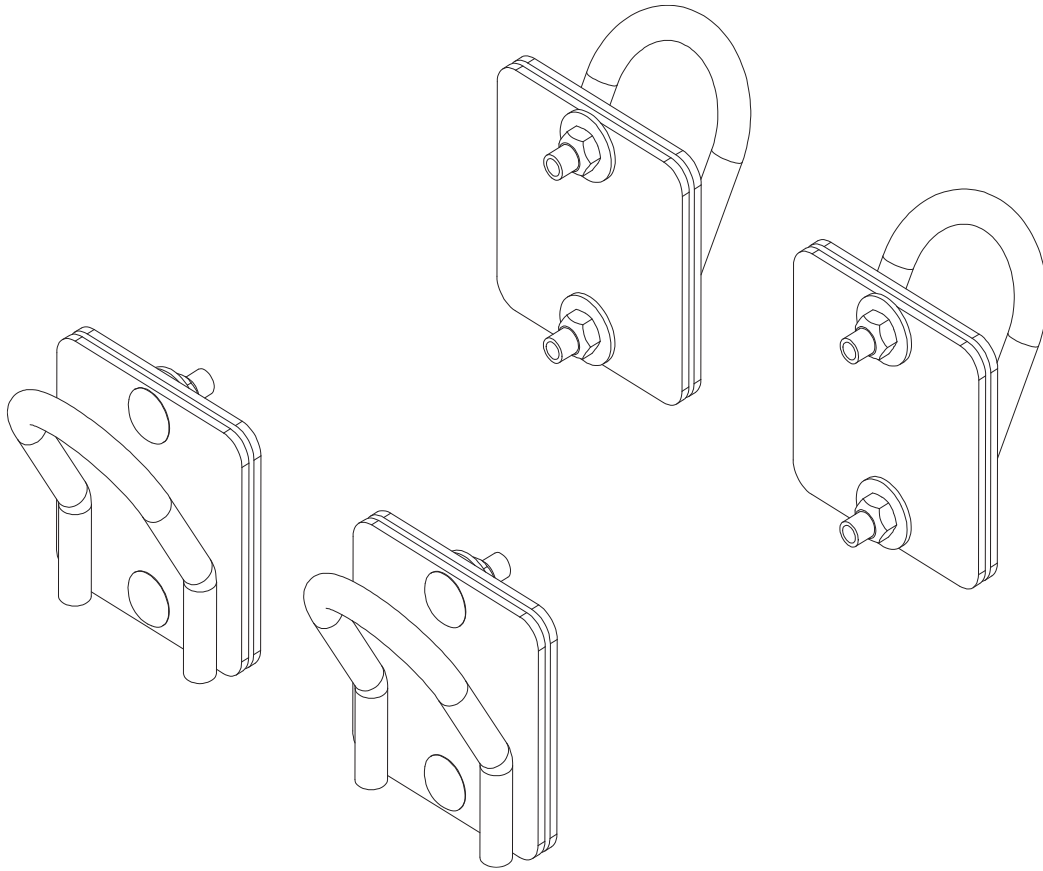


VIEW B-B
ITEM #12 NOT SHOWN

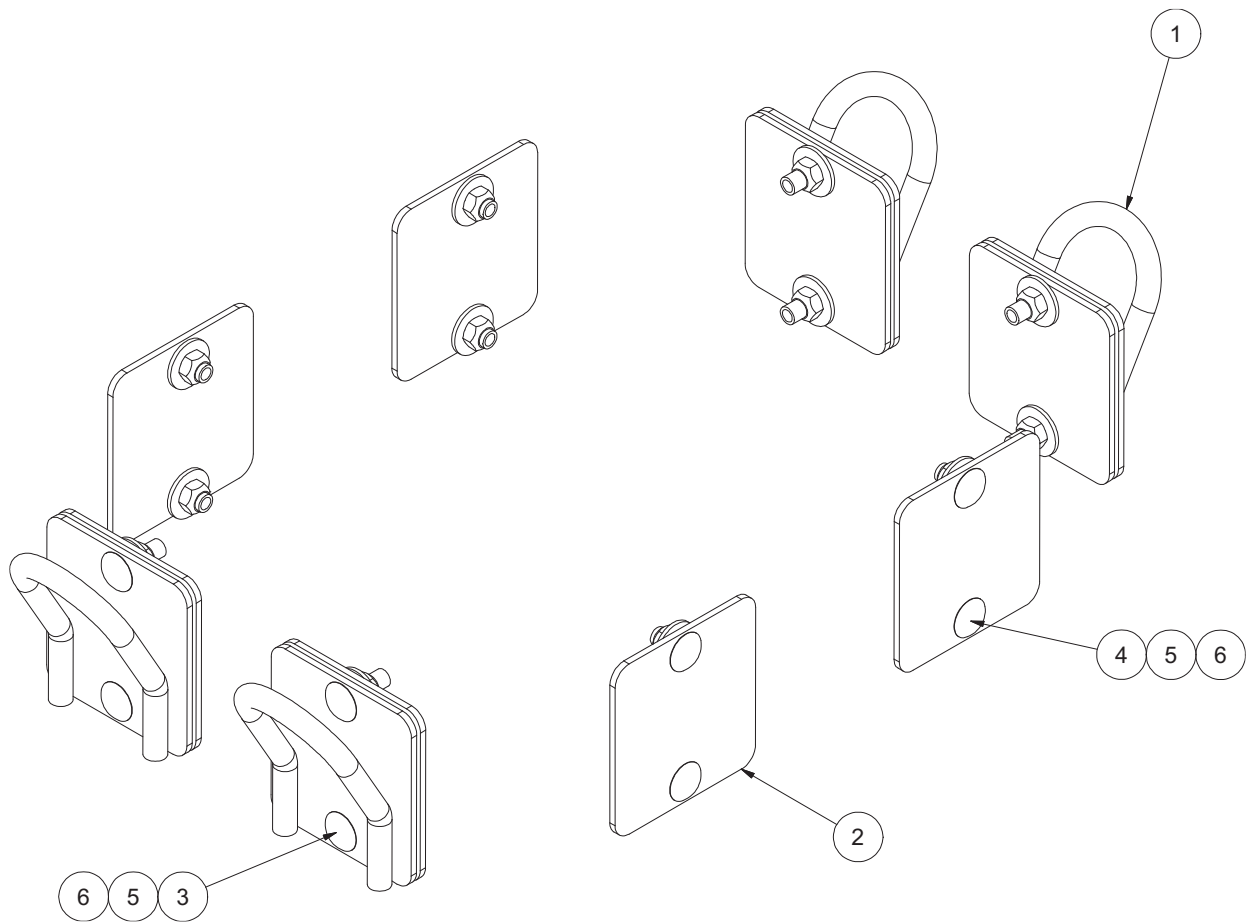


00137765 DRIVE KIT, MCV, AUG, SP SNSR			
ITEM	QTY	PART NUMBER	DESCRIPTION
1	1	00137751-A	MTG PLATE,MTR,MCV,SA,MS,.250
1	1	00137751-B	MTG PLATE,MTR,MCV,SA,304.250
1	1	00137751-C	MTG PLATE,MTR,MCV,SA,AUSS,.250
2	1	00137749-A	MTG PLATE,BEARING,MCV,SA
2	1	00137749-B	MTG PLATE,BEASRING,MCV,SA
2	1	00137749-C	MTG PLATE,BEASRING,MCV,SA
3	2	00131248-A	SIDE RAIL,MTR GD,MCV,AUG,MS
3	2	00131248-B	SIDE RAIL,MTR GD,MCV,AUG,304
3	2	00131248-C	SIDE RAIL,MTR GD,MCV,AUG,AUSST
4	1	00131249-A	REAR RAIL,MTR GR,MCV,AUG,MS
4	1	00131249-B	REAR RAIL,MTR GD,MCV,AUG,304
4	1	00131249-C	REAR RAIL,MTR GD,MCV,AUG,AUSST
5	1	05007426	GEARBOX,PLNTY,3.6:1,SAE 2B <i>See Page 109</i>
6	1	05006707	MOTOR,HYD,WHITE,24.9CI,2B,1.25 <i>See Page 116</i>
7	1	00131201	BUSHING,MCV,AUGER DRIVE
8	1	05030006	BEARING,2",4B FLANGE,MSV-MV
9	1	00131244	BUSHING,MCV,AUGER.IDLER
10	1	00131245	SHAFT PIN,AUGER,MCV,IDLER
11	1	00131247-A	COVER,AUGER,MCV,MS
11	1	00131247-B	COVER,AUGER,MCV,304
11	1	00131247-C	COVER,AUGER,MCV,AUSST
12	1	00132433-A	COVER PL,FR BRG,MCV AUG,MS
12	1	00132433-B	COVER PL,FR BRG,MCV AUG,304
13	4	00075580-B	BUSHING,SS,.840 ODx.546IDx.313
14	2	05017128	BOLT .875-9 x 5.00 G8 HHCS ZC
15	8	05010694	BOLT .500-13 x 2.25 G8 HHCS ZC
15	8	05016206	BOLT .500-13 x 2.25 HHCS SST
16	2	05010695	BOLT .500-13 x 2.50 G8 HHCS ZC
16	2	05016207	BOLT .500-13 x 2.50 HHCS SST
17	4	05010644	BOLT .375-16 x 1.25 G8 HHCS ZC
17	4	05016049	BOLT .375-16 x 1.25 HHCS SST
17	4	05016049	BOLT .375-16 x 1.25 HHCS SST
18	11	05013987	BOLT .375-16 x 1.25 G5 CRG ZC
18	11	05016746	BOLT .375-16 x 1.25 CRG SST
19	12	05010643	BOLT .375-16 x 1.00 G8 HHCS ZC
19	12	05016034	BOLT .375-16 x 1.00 HHCS SST
20	2	05020969	NUT .875-9 GC TOPLOCK C&W
21	8	05020847	NUT .500-13 GC TOPLOCK C&W
21	8	05020908	NUT .500-13 NYLON LOCK 316 SST
22	27	05020898	NUT .375-16 GC TOPLOCK C&W
22	27	05020891	NUT .375-16 NYLON LOCK 316 SST
23	4	05021313	WASHER .875 FLAT ZC
24	8	05021005	WASHER .500 FLAT MIL-CARB SAE
25	10	05021309	WASHER .500 FLAT ZC
25	10	05021391	WASHER .500 FLAT SST
26	43	05021307	WASHER .375 FLAT ZC
26	43	05021390	WASHER .375 FLAT SST
27	1	05052993	O-RING,.125"THK,3.193"OD,2.987
28	2	05021367	WASHER .500 LOCK ZC
28	2	05021396	WASHER .500 LOCK SST

LIFT LOOP KITS

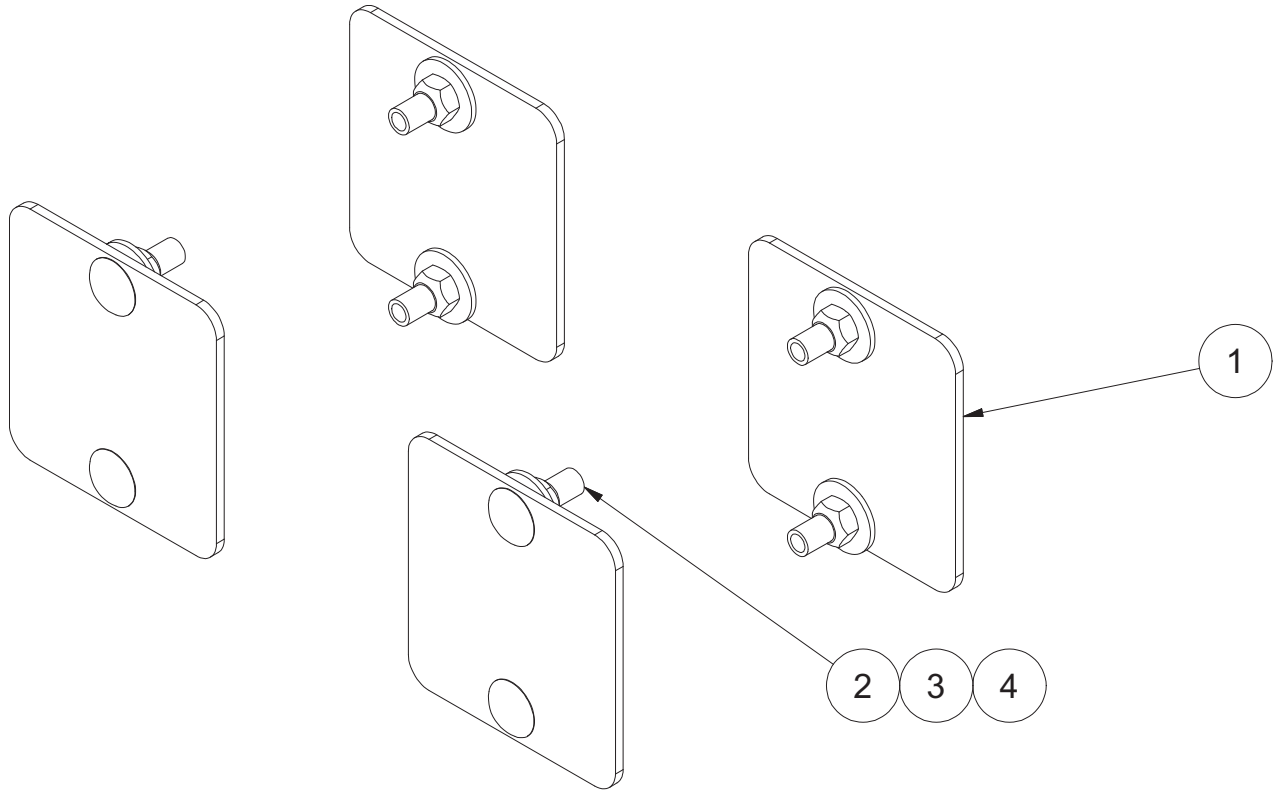


00132415 LIFT LOOP KIT, MCV, BOLT-ON			
Item	Qty	Part Number	Description
1	4	00131218-A 00131218-B 00131218-C	LIFT LOOP WELDMENT, MS LIFT LOOP WELDMENT, SST LIFT LOOP WELDMENT, AUSST
2	4	00131217-D 00131217-B 00131217-C	MOUNTING PLATE, LIFT LOOP, MS MOUNTING PLATE, LIFT LOOP, SST MOUNTING PLATE, LIFT LOOP, AUSST
3	8	05014042 05016803	BOLT, .5-13 X 1.50, G5, CARRIAGE, ZINC BOLT, .5-13 X 1.50, CARRIAGE, SST
4	8	05020847 05020908	NUT, .5-13, GC, TOP LOCK, C&W NUT, .5-13, NYLON LOCK, 316 SST
5	8	05021309 05021391	WASHER, .5, FLAT, ZINC WASHER, .5, FLAT, SST
6	8	05052992	PLUG, PLASTIC, FITS .75" OD TUBE
7	4	05052991	PLUG, PLASTIC, FITS, .5 OD TUBE



00143879 LIFT LOOP MCV, FR/RR MT

Item	ZINC Qty	SST Qty	Part Number	Description
1	4	4	00131218-A 00131218-B 00131218-C	LIFT LOOP WELDMENT, MS LIFT LOOP WELDMENT, SST LIFT LOOP WELDMENT, AUSST
2	8	4	00131217-D 00131217-B 00131217-C	MOUNTING PLATE, LIFT LOOP, MS MOUNTING PLATE, LIFT LOOP, SST MOUNTING PLATE, LIFT LOOP, AUSST
3	8	8	05014042 05016803	BOLT, .5-13 X 1.50, G5, CARRIAGE, ZINC BOLT, .5-13 X 1.50, CARRIAGE, SST
4	8	N/A	05014040	BOLT, .5-13 X 1, G5, CARRIAGE, ZINC
5	16	8	05020847 05020908	NUT, .5-13, GC, TOP LOCK, C&W NUT, .5-13, NYLON LOCK, 316 SST
6	16	8	05021309 05021391	WASHER, .5, FLAT, ZINC WASHER, .5, FLAT, SST
7	8	8	05052992	PLUG, PLASTIC, FITS, .75" OD TUBE
8	4	4	05052991	PLUG, PLASTIC FITS, .5" OD TUBE



00142099 COVER PL/PLUG KIT, MCV, LIFT LP HOLE			
Item	Qty.	Part Number	Description
1	4	00131217-D	MOUNTING PLATE, LIFT LOOP, MCV, MS
2	8	05014040	BOLT, .5-13 X 1, G5, CARRIAGE, ZINC
3	8	05021309	WASHER, .5, FLAT, ZINC
4	8	05020847	NUT, .5-13, GC, TOP LOCK, C&W
5	8	05052992	PLUG, PLASTIC, FITS, .75" OD TUBE Not pictured
6	4	05052991	PLUG, PLASTIC, FITS, .5" OD TUBE Not pictured

LEFT INTENTIONALLY BLANK

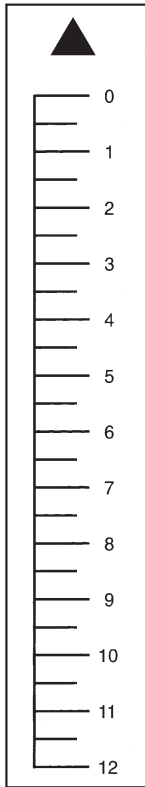
DECAL KITS



05051409



05051404



05051410



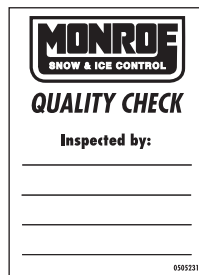
05051406



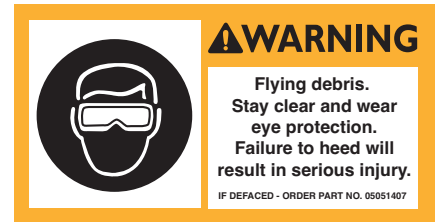
05051402



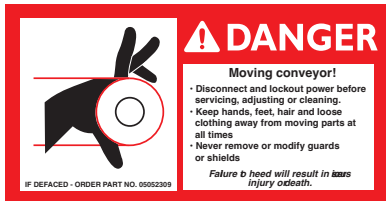
05052885



05052311



05051407



05052309



05052310



05051625

MONROE SPREADER

Monroe, Wisconsin 53566

05051405

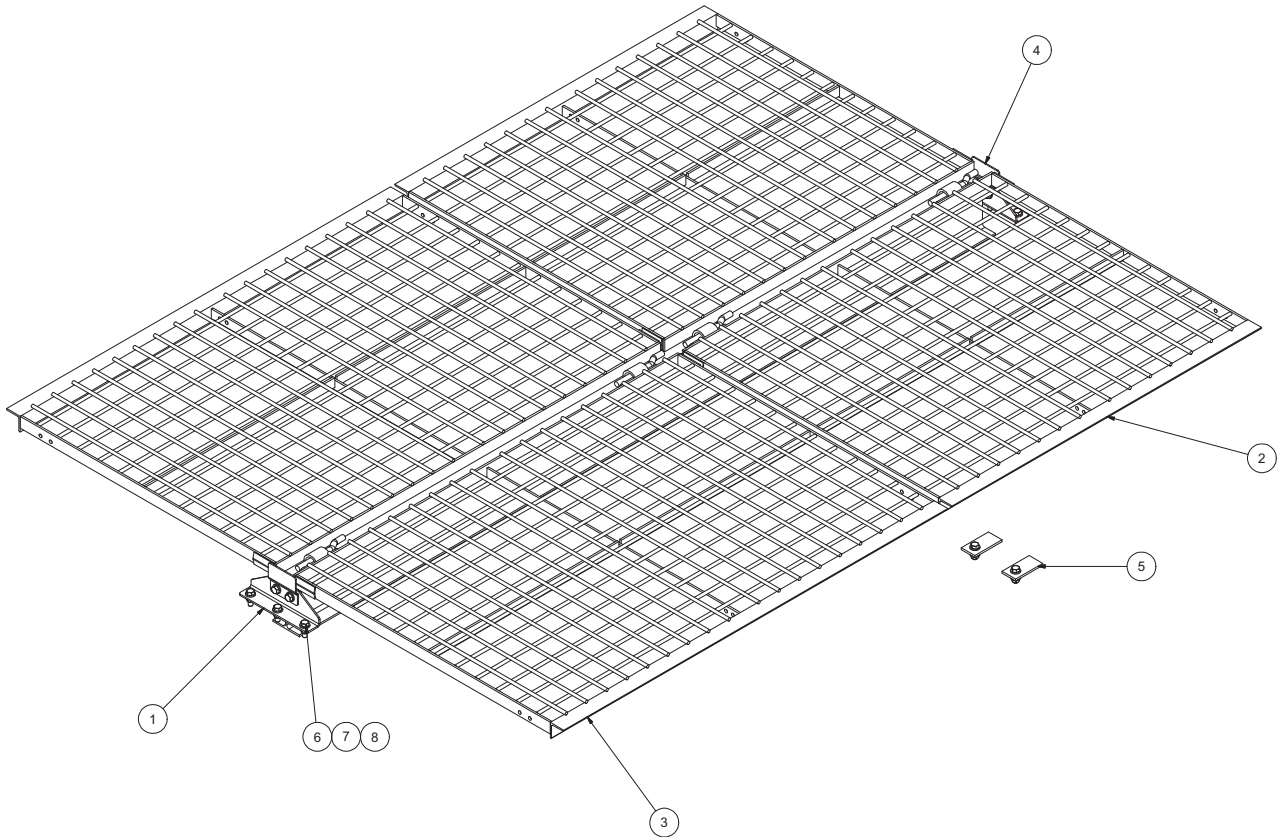
00065914 DECAL KIT, MV/MSV, W/O POWDERCOAT

Item	Qty	Part Number	Description
1	1	05051404	Decal, Caution, #1-#6
2	2	05051405	Decal, Monroe Spreader
3	4	05051406	Decal, Danger: Turn Power Off
4	1	05051407	Decal, Stay Clear, Wear Eye Protection
5	1	05051409	Decal, Caution: Use Care When
6	1	05051410	Decal, Rear Door Ruler
7	6	05051401	Decal, Danger Turning Augers...
8	1	05052311	Decal, Quality Check
9	4	05052885	Decal, Warning, Crush Hazard, 3 x 5

00065913 DECAL KIT, MV/MSV, W/ POWDERCOAT

Item	Qty	Part Number	Description
1	1	05050681	Decal, Bonded Powder Coat
2	1	05051404	Decal, Caution, #1-#6
3	2	05051405	Decal, Monroe Spreader
4	4	05051406	Decal, Danger: Turn Power Off
5	1	05051407	Decal, Stay Clear, Wear Eye Protection
6	1	05051409	Decal, Caution: Use Care When
7	1	05051410	Decal, Rear Door Ruler
8	6	05051401	Decal, Danger Turning Augers...
9	1	05052311	Decal, Quality Check
10	4	05052885	Decal, Warning, Crush Hazard, 3 x 5

TOP GRATE KITS



00135016 TOP GRATE KIT, MCV, 108 X 84 X 3

Item	Qty	Part Number	Description
1	1	00135009	BEAM WELDMENT, MCV, 9', MS
2	2	00056016	TOP GRATE WELDMENT, 48X84X3
3	2	00056024	TOP GRATE WELDMENT, 60X84X3
4	2	00142593-A	STOP, TP GRT, V-BOX OFFSET, MS
5	2	00133482-A	MOUNTING PLATE, BEAM, MS
6	12	05010691 05016096	BOLT, .5-13 X 1.50, G8, HHCS, ZINC BOLT, .5-13 X 1.50, HHCS, SST
7	12	05020847 05020908	NUT, .5-13, GC, TOP LOCK, C&W NUT, .5-13, NYLON LOCK, 316 SST
8	24	05021005 05021391	WASHER, .5, FLAT, MIL-CARB, SAE WASHER, .5, FLAT, SST

00132407 TOP GRATE KIT, MCV, 120X84X3

Item	Qty	Part Number	Description
1	1	00132406	BEAM WELDMENT, MCV, 10', MS
2	4	00056024	TOP GRATE WELDMENT, 60X84X3
3	2	00053809-A	STOP TOP GRATE, FLAT, MS
4	12	05010691 05016096	BOLT, .5-13 X 1.50, G8, HHCS, ZINC BOLT, .5-13 X 1.50, HHCS, SST
5	12	05020847 05020908	NUT, .5-13, GC, TOP LOCK, C&W NUT, .5-13, NYLON LOCK, 316 SST
6	24	05021005 05021391	WASHER, .5, FLAT, MIL-CARB, SAE WASHER, .5, FLAT, SST
7	2	00133482-A	MOUNTING PLATE, BEAM, MS

00133471 TOP GRATE KIT, MCV, DH, 120X84X3

Item	Qty	Part Number	Description
1	1	00133469	BEAM WELDMENT, MCV, 10', MS(2)
2	2	00056024	TOP GRATE WELDMENT, 60x84x3
3	1	00074361	TOP GRATE MOD, 60X84X3
4	1	00074362	TOP GRATE MOD, 60X84X3
5	2	00053809-A	STOP, TP GRT, V-BOX FLAT, MS
6	12	05010691 05016096	BOLT, .5-13 X 1.50, G8, HHCS, ZINC BOLT, .5-13 X 1.50, HHCS, SST
7	12	05020847 05020908	NUT, .5-13, GC, TOP LOCK, C&W NUT, .5-13, NYLON LOCK, 316 SST
8	24	05021005 05021391	WASHER, .5, FLAT, MIL-CARB, SAE WASHER, .5, FLAT, SST
9	2	00133482-A	MOUNTING PLATE, BEAM, MS

00135017 TOP GRATE KIT, MCV, 132 X 84 X 3

Item	Qty	Part Number	Description
1	1	00135008	BEAM WELDMENT, MCV, 11', MS
2	4	00056016	TOP GRATE WELDMENT, 48X84X3
3	2	00056000	TOP GRATE WELDMENT, 36X84X3
4	2	00053809-A	STOP, TP GRT, V-BOX FLAT, MS
5	2	00133482-A	MOUNTING PLATE, BEAM, MS
6	12	05010691 05016096	BOLT, .5-13 X 1.50, G8, HHCS, ZINC BOLT, .5-13 X 1.50, HHCS, SST
7	12	05020847 05020908	NUT, .5-13, GC, TOP LOCK, C&W NUT, .5-13, NYLON LOCK, 316 SST
8	24	05021005 05021391	WASHER, .5, FLAT, MIL-CARB, SAE WASHER, .5, FLAT, SST

00133491 TOP GRATE KIT, MCV, DH, 132X84X3

Item	Qty	Part Number	Description
1	1	00135490	BEAM WELDMENT, MCV, 11', MS(2)
2	1	00067457	TOP GRATE MOD, 48X84X3
3	1	00067458	TOP GRATE MOD, 48X84X3
4	2	00056016	TOP GRATE WELDMENT, 48X84X3
5	2	00056000	TOP GRATE WELDMENT, 36X84X3
6	2	00053809-A	STOP, TP GRT, V-BOX FLAT, MS
7	2	00133482-A	MOUNTING PLATE, BEAM, MS
8	12	05010691 05016096	BOLT, .5-13 X 1.50, G8, HHCS, ZINC BOLT, .5-13 X 1.50, HHCS, SST
9	12	05020847 05020908	NUT, .5-13, GC, TOP LOCK, C&W NUT, .5-13, NYLON LOCK, 316 SST
10	24	05021005 05021391	WASHER, .5, FLAT, MIL-CARB, SAE WASHER, .5, FLAT, SST

00135018 TOP GRATE KIT, MCV, 144X84X3

Item	Qty	Part Number	Description
1	1	00135010	BEAM WELDMENT, MCV, 12', MS
2	6	00056016	TOP GRATE WELDMENT, 48X84X3
3	2	00053809-A	STOP TOP GRATE, FLAT, MS
4	12	05010691 05016096	BOLT, .5-13 X 1.50, G8, HHCS, ZINC BOLT, .5-13 X 1.50, HHCS, SST
5	12	05020847 05020908	NUT, .5-13, GC, TOP LOCK, C&W NUT, .5-13, NYLON LOCK, 316 SST
6	24	05021005 05021391	WASHER, .5, FLAT, MIL-CARB, SAE WASHER, .5, FLAT, SST
7	2	00133482-A	MOUNTING PLATE, BEAM, MS

00135019 TOP GRATE KIT, MCV, 156 X 84 X 3

Item	Qty	Part Number	Description
1	1	00135011	BEAM WELDMENT, MCV, 13', MS
2	4	00056016	TOP GRATE WELDMENT, 48X84X3
3	2	00056024	TOP GRATE WELDMENT, 60X84X3
4	1	00053809-A	STOP, TP GRT, V-BOX FLAT, MS
5	1	00157509-A	STOP TOP GRATE, V-BOX, .625, MS
6	2	00133482-A	MOUNTING PLATE, BEAM, MS
7	12	05010691 05016096	BOLT, .5-13 X 1.50, G8, HHCS, ZINC BOLT, .5-13 X 1.50, HHCS, SST
8	12	05020847 05020908	NUT, .5-13, GC, TOP LOCK, C&W NUT, .5-13, NYLON LOCK, 316 SST
9	24	05021005 05021391	WASHER, .5, FLAT, MIL-CARB, SAE WASHER, .5, FLAT, SST

00135020 TOP GRATE KIT, MCV, 168 X 84 X 3

Item	Qty	Part Number	Description
1	1	00135012	BEAM WELDMENT, MCV, 14', MS
2	2	00056016	TOP GRATE WELDMENT, 48X84X3
3	4	00056024	TOP GRATE WELDMENT, 60X84X3
4	1	00053809-A	STOP, TP GRT, V-BOX FLAT, MS
5	1	00157510-A	STOP TOP GRATE, VBOX, 1.375, MS
6	4	00133482-A	MOUNTING PLATE, BEAM, MS
7	14	05010691 05016096	BOLT, .5-13 X 1.50, G8, HHCS, ZINC BOLT, .5-13 X 1.50, HHCS, SST
8	14	05020847 05020908	NUT, .5-13, GC, TOP LOCK, C&W NUT, .5-13, NYLON LOCK, 316 SST
9	28	05021005 05021391	WASHER, .5, FLAT, MIL-CARB, SAE WASHER, .5, FLAT, SST

00133627 TOP GRATE KIT, MCV, 180X84X3

Item	Qty	Part Number	Description
1	1	00132499	BEAM WELDMENT, MCV, 15', MS
2	6	00056024	TOP GRATE WELDMENT, 48X84X3
3	1	00010020-A	STOP TOP GRATE, 1.0, MS
4	1	00010021-A	STOP TOP GRATE V-BOX, 2.3 MS
5	14	05010691 05016096	BOLT, .5-13 X 1.50, G8, HHCS, ZINC BOLT, .5-13 X 1.50, HHCS, SST
6	14	05020847 05020908	NUT, .5-13, GC, TOP LOCK, C&W NUT, .5-13, NYLON LOCK, 316 SST
7	28	05021005 05021391	WASHER, .5, FLAT, MIL-CARB, SAE WASHER, .5, FLAT, SST
8	4	00133482-A	MOUNTING PLATE, BEAM, MS

00135021 TOP GRATE KIT, MCV, 192 X 84 X 3

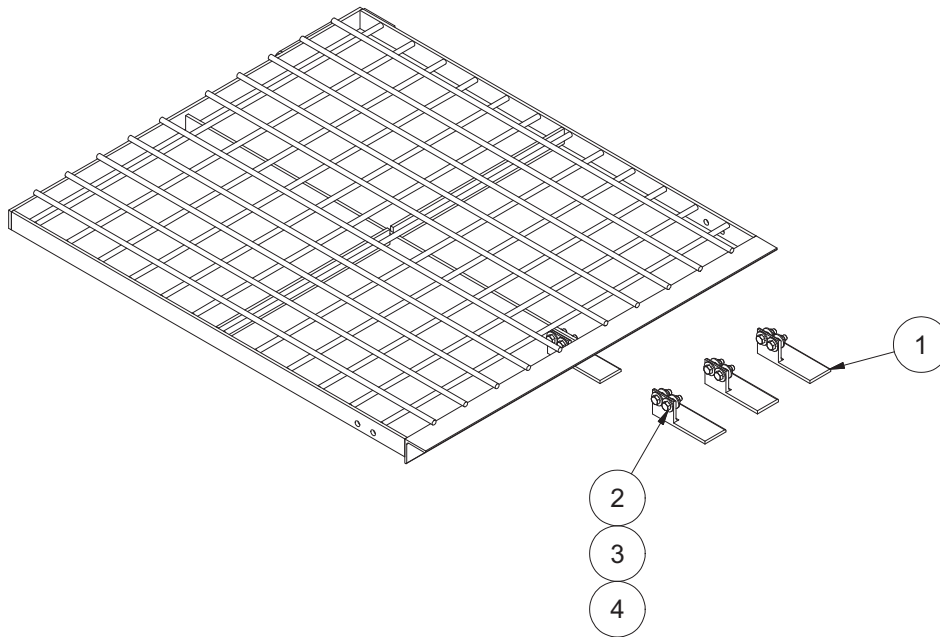
Item	Qty	Part Number	Description
1	1	00142575	BEAM WELDMENT, MCV, 16', MS
2	8	00056016	TOP GRATE WELDMENT, 48X84X3
3	1	00157510-A	STOP TOP GRATE, 1.375 MS
4	1	00053809-A	STOP TOP GRATE, FLAT, MS
5	4	00133482-A	MOUNTING PLATE, BEAM, MS
6	14	05010691 05016096	BOLT, .5-13 X 1.50, G8, HHCS, ZINC BOLT, .5-13 X 1.50, HHCS, SST
7	14	05020847 05020908	NUT, .5-13, GC, TOP LOCK, C&W NUT, .5-13, NYLON LOCK, 316 SST
8	28	05021005 05021391	WASHER, .5, FLAT, MIL-CARB, SAE WASHER, .5, FLAT, SST

00135022 TOP GRATE KIT, MCV, 204X84X3

Item	Qty	Part Number	Description
1	1	00135014	BEAM WELDMENT, MCV, 17' MS
2	6	00056016	TOP GRATE WELDMENT, 48X84X3
3	2	00056024	TOP GRATE WELDMENT, 60X84X3
4	1	00053809-A	STOP TOP GRATE, V-BOX, FLAT, MS
5	1	00010021-A	STOP TOP GRATE, 2.3 MS
6	14	05010691 05016096	BOLT, .5-13 X 1.50, G8, HHCS, ZINC BOLT, .5-13 X 1.50, HHCS, SST
7	14	05020847 05020908	NUT, .5-13, GC, TOP LOCK, C&W NUT, .5-13, NYLON LOCK, 316 SST
8	28	05021005 05021391	WASHER, .5, FLAT, MIL-CARB, SAE WASHER, .5, FLAT, SST
9	4	00133482-A	MOUNTING PLATE, BEAM, MS

00135023 TOP GRATE KIT, MCV, 216X84X3

Item	Qty	Part Number	Description
1	1	00135015	BEAM WELDMENT, MCV, 18' MS
2	4	00056016	TOP GRATE WELDMENT, 48X84X3
3	4	00056024	TOP GRATE WELDMENT, 60X84X3
4	1	00053809-A	STOP TOP GRATE, V-BOX, FLAT, MS
5	1	00157512-A	STOP TOP GRATE, 3.375 MS
6	14	05010691 05016096	BOLT, .5-13 X 1.50, G8, HHCS, ZINC BOLT, .5-13 X 1.50, HHCS, SST
7	14	05020847 05020908	NUT, .5-13, GC, TOP LOCK, C&W NUT, .5-13, NYLON LOCK, 316 SST
8	28	05021005 05021391	WASHER, .5, FLAT, MIL-CARB, SAE WASHER, .5, FLAT, SST
9	4	00133482-A	MOUNTING PLATE, BEAM, MS



LOCK KIT, TOP GRATE

Item	Qty.	Part Number	Description
1	See Chart	00023754	LOCK, TOP GRATE
2	See Chart	05010644 05016034	BOLT, .375-16 X 1.25, G8, HHCS, ZINC BOLT, .375-16 X 1, HHCS, SST
3	See Chart	05020898 05020891	NUT, .375-16, GC, TOP LOCK, C&W NUT, .375-16 NYLON LOCK, 316 SST
4	See Chart	05021307 05021390	WASHER, .375, FLAT, ZINC WASHER, .375, FLAT, SST

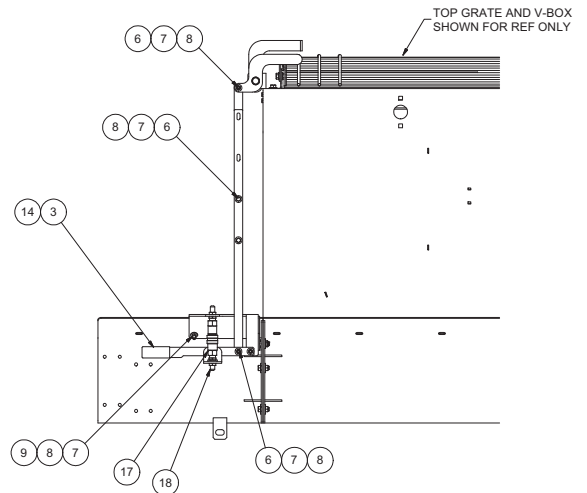
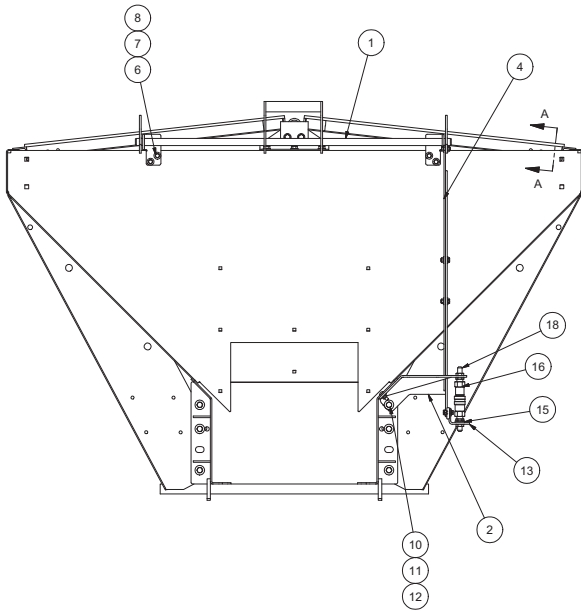
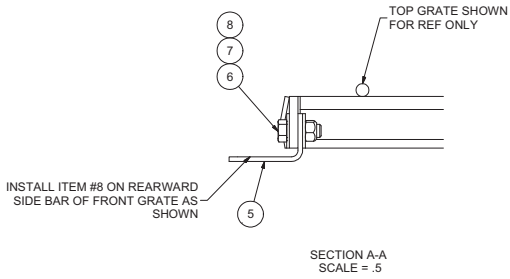
Quantity:

Body Length 8'-10': Lock (4); Bolt & Nut (8); Washer (16)

Body Length 11'-15': Lock (6); Bolt & Nut (12); Washer (24)

Body Length 16'-18': Lock (8); Bolt & Nut (16); Washer (32)

HYDRAULIC INTERLOCK SHUT OFF KITS



00133684 HYD INT SHUTOFF KIT, .5 CPLR, 2GRT/SD

ITEM	QTY	PART NUMBER	DESCRIPTION
1	1	00130765-A	BAR WLDMT,MSV AUG,INT SHUTOFF
1	1	00130765-B	BAR WLDMT,MSV AUG,INT SHUTOFF
1	1	00130765-C	BAR WLDMT,MSV AUG,INT SHUTOFF
2	1	00133685-A	MTG PL WLDMT, .50 CPLR,MCV,HYD
2	1	00133685-B	MTG PL WLDMT, .50 CPLR,MCV,HYD
2	1	00133685-C	MTG PL WLDMT, .50 CPLR,MCV,HYD
3	1	00130781-A	CONNECTION LEVER,MSV AUG,INT
3	1	00130781-B	CONNECTION LEVER,MSV AUG,INT
3	1	00130781-C	CONNECTION LEVER,MSV AUG,INT
4	2	00130783-A	LINKAGE BAR,MSV AUG,INT
4	2	00130783-B	LINKAGE BAR,MSV AUG,INT
4	2	00130783-B	LINKAGE BAR,MSV AUG,INT
5	2	00130782-A	LOCKING BRKT,TPG,MSV AUG,INT
5	2	00130782-B	LOCKING BRKT,TPG,MSV AUG,INT
5	2	00130782-C	LOCKING BRKT,TPG,MSV AUG,INT
6	14	05010643	BOLT .375-16 x 1.00 G8 HHCS ZC
6	14	05016034	BOLT .375-16 x 1.00 HHCS SST
7	15	05020898	NUT .375-16 GC TOPLOCK C&W
7	15	05020891	NUT .375-16 NYLON LOCK 316 SST
8	29	05021307	WASHER .375 FLAT ZC
8	29	05021390	WASHER .375 FLAT SST
9	1	05013987	BOLT .375-16 x 1.25 G5 CRG ZC
9	1	05016746	BOLT .375-16 x 1.25 CRG SST
10	1	05010692	BOLT .500-13 x 1.75 G8 HHCS ZC
10	1	05016204	BOLT .500-13 x 1.75 HHCS SST
11	1	05020847	NUT .500-13 GC TOPLOCK C&W
11	1	05020908	NUT .500-13 NYLON LOCK 316 SST
12	2	05021309	WASHER .500 FLAT ZC
12	2	05021391	WASHER .500 FLAT SST
13	1	00133682-A	CONNECTION PL,HYD INTRPT,MCV
13	1	00133682-B	CONNECTION PL,HYD INTRPT,MCV
13	1	00133682-C	CONNECTION PL,HYD INTRPT,MCV
14	1	05052759	HANDLE,GRIP,RECTANGULAR,.25 X
15	1	05038270	GASKET,FLANGE,1",EPDM,MANIFOLD
16	1	FF-502-8FP	HYD FITNG,COUPLER HYD,PARKER
17	1	FF-501-8FP	HYD FITNG,COUPLER HYD,PARKER
18	2	2706-LN-8-8	HYD FITNG,ASSY,BHD CONNECTOR
18	2	SS2706-LN-8-8	HYD FITNG,ASSY,BHD CONNECTOR

00133686 HYD INT SHUTOFF KIT, MCV AUG .5 CPLR, 3GRT/SD

ITEM	QTY	PART NUMBER	DESCRIPTION
1	1	00130765-A	BAR WLDMT,MSV AUG,INT SHUTOFF
1	1	00130765-B	BAR WLDMT,MSV AUG,INT SHUTOFF
1	1	00130765-C	BAR WLDMT,MSV AUG,INT SHUTOFF
2	1	00133685-A	MTG PL WLDMT,.50 CPLR,MCV,HYD
2	1	00133685-B	MTG PL WLDMT,.50 CPLR,MCV,HYD
2	1	00133685-C	MTG PL WLDMT,.50 CPLR,MCV,HYD
3	1	00130781-A	CONNECTION LEVER,MSV AUG,INT
3	1	00130781-B	CONNECTION LEVER,MSV AUG,INT
3	1	00130781-C	CONNECTION LEVER,MSV AUG,INT
4	2	00130783-A	LINKAGE BAR,MSV AUG,INT
4	2	00130783-B	LINKAGE BAR,MSV AUG,INT
4	2	00130783-B	LINKAGE BAR,MSV AUG,INT
5	4	00130782-A	LOCKING BRKT,TPG,MSV AUG,INT
5	4	00130782-B	LOCKING BRKT,TPG,MSV AUG,INT
5	4	00130782-C	LOCKING BRKT,TPG,MSV AUG,INT
6	18	05010643	BOLT .375-16 x 1.00 G8 HHCS ZC
6	18	05016034	BOLT .375-16 x 1.00 HHCS SST
7	19	05020898	NUT .375-16 GC TOPLOCK C&W
7	19	05020891	NUT .375-16 NYLON LOCK 316 SST
8	37	05021307	WASHER .375 FLAT ZC
8	37	05021390	WASHER .375 FLAT SST
9	1	05013987	BOLT .375-16 x 1.25 G5 CRG ZC
9	1	05016746	BOLT .375-16 x 1.25 CRG SST
10	1	05010692	BOLT .500-13 x 1.75 G8 HHCS ZC
10	1	05016204	BOLT .500-13 x 1.75 HHCS SST
11	1	05020847	NUT .500-13 GC TOPLOCK C&W
11	1	05020908	NUT .500-13 NYLON LOCK 316 SST
12	2	05021309	WASHER .500 FLAT ZC
12	2	05021391	WASHER .500 FLAT SST
13	1	00133682-A	CONNECTION PL,HYD INTRPT,MCV
13	1	00133682-B	CONNECTION PL,HYD INTRPT,MCV
13	1	00133682-C	CONNECTION PL,HYD INTRPT,MCV
14	1	05052759	HANDLE,GRIP,RECTANGULAR,.25 X
15	1	05038270	GASKET,FLANGE,1",EPDM,MANIFOLD
16	1	FF-502-8FP	HYD FITNG,COUPLER HYD,PARKER
17	1	FF-501-8FP	HYD FITNG,COUPLER HYD,PARKER
18	2	2706-LN-8-8	HYD FITNG,ASSY,BHD CONNECTOR
18	2	SS2706-LN-8-8	HYD FITNG,ASSY,BHD CONNECTOR, SST

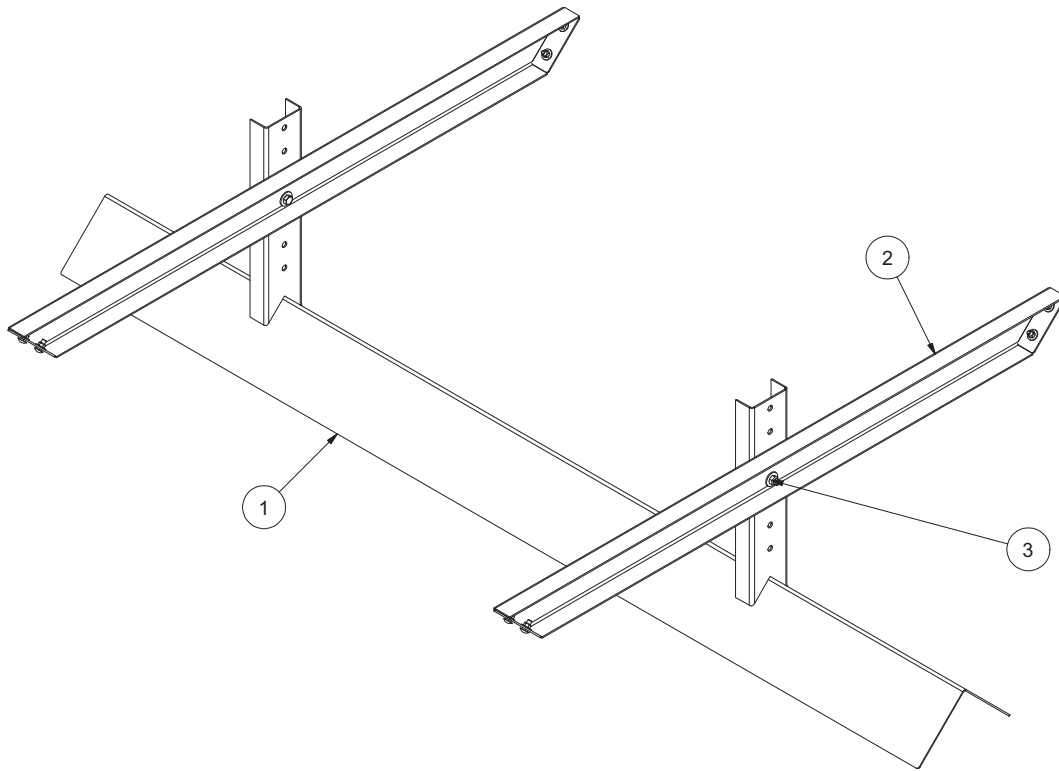
00137732 HYD INT SHUTOFF KIT, MCV AUG, .5 CPLR, 4GT/SD

ITEM	QTY	PART NUMBER	DESCRIPTION
1	1	00130765-A	BAR WLDMT,MSV AUG,INT SHUTOFF
1	1	00130765-B	BAR WLDMT,MSV AUG,INT SHUTOFF
1	1	00130765-C	BAR WLDMT,MSV AUG,INT SHUTOFF
2	1	00133685-A	MTG PL WLDMT,.50 CPLR,MCV,HYD
2	1	00133685-B	MTG PL WLDMT,.50 CPLR,MCV,HYD
2	1	00133685-C	MTG PL WLDMT,.50 CPLR,MCV,HYD
3	1	00130781-A	CONNECTION LEVER,MSV AUG,INT
3	1	00130781-B	CONNECTION LEVER,MSV AUG,INT
3	1	00130781-C	CONNECTION LEVER,MSV AUG,INT
4	2	00130783-A	LINKAGE BAR,MSV AUG,INT
4	2	00130783-B	LINKAGE BAR,MSV AUG,INT
5	6	00130782-A	LOCKING BRKT,TPG,MSV AUG,INT
5	6	00130782-B	LOCKING BRKT,TPG,MSV AUG,INT
5	6	00130782-C	LOCKING BRKT,TPG,MSV AUG,INT
6	22	05010643	BOLT .375-16 x 1.00 G8 HHCS ZC
6	22	05016034	BOLT .375-16 x 1.00 HHCS SST
7	23	05020898	NUT .375-16 GC TOPLOCK C&W
7	23	05020891	NUT .375-16 NYLON LOCK 316 SST
8	45	05021307	WASHER .375 FLAT ZC
8	45	05021390	WASHER .375 FLAT SST
9	1	05013987	BOLT .375-16 x 1.25 G5 CRG ZC
9	1	05016746	BOLT .375-16 x 1.25 CRG SST
10	1	05010692	BOLT .500-13 x 1.75 G8 HHCS ZC
10	1	05016204	BOLT .500-13 x 1.75 HHCS SST
11	1	05020847	NUT .500-13 GC TOPLOCK C&W
11	1	05020908	NUT .500-13 NYLON LOCK 316 SST
12	2	05021309	WASHER .500 FLAT ZC
12	2	05021391	WASHER .500 FLAT SST
13	1	00133682-A	CONNECTION PL,HYD INTRPT,MCV
13	1	00133682-B	CONNECTION PL,HYD INTRPT,MCV
13	1	00133682-C	CONNECTION PL,HYD INTRPT,MCV
14	1	05052759	HANDLE,GRIP,RECTANGULAR,.25 X
15	1	05038270	GASKET,FLANGE,1",EPDM,MANIFOLD
16	1	FF-502-8FP	HYD FITNG,COUPLER HYD,PARKER
17	1	FF-501-8FP	HYD FITNG,COUPLER HYD,PARKER
18	2	2706-LN-8-8	HYD FITNG,ASSY,BHD CONNECTOR
18	2	SS2706-LN-8-8	HYD FITNG,ASSY,BHD CONNECTOR

OPTIONS

00050710 WINCH KIT, 800#, RH, W/ BRAKE & LIFT LOOP
00050711 WINCH KIT, 800#, LH, W/ BRAKE & LIFT LOOP

Item	Qty	Part Number	Description
1	1	05050112	WINCH, RATCHET, W/ BRAKE
2	1	05051162	CABLE ASSEMBLY
3	1	05051155	CABLE BLOCK/SWIVEL
4	1 1	00029944 00029943	BRACKET, WINCH, RH BRACKET, WINCH, LH
5	1	00050716	LIFT LOOP WELDMENT
6	1	05016909	U-BOLT, RND, .375-16, 1.25 X 2.50 ZINC
7	8	05010644	BOLT, $\frac{3}{8}$ -16 X 1 $\frac{1}{4}$, G8, HHCS, ZINC
8	10	05020898	NUT, $\frac{3}{8}$ -16, GC, TOP LOCK, C&W
9	20	05021307	WASHER, $\frac{3}{8}$, FLAT, ZINC



INVERTED V KIT

Item	Qty.	Part Number	Description
1	1	00026220-A 00026220-B 00026220-E 00026221-A 00026221-B 00026221-E 00026222-A 00026222-B 00026222-D 00026223-A 00026223-B 00026223-D 00026224-A 00026224-B 00026224-D	INVERTED V WELDMENT, 8-9, MS INVERTED V WELDMENT, 8-9, 304SST INVERTED V WELDMENT, 8-9, AUSST INVERTED V WELDMENT, 10-11, MS INVERTED V WELDMENT, 10-11, 304SST INVERTED V WELDMENT, 10-11, AUSST INVERTED V WELDMENT, 12-13, MS INVERTED V WELDMENT, 12-13, 304SST INVERTED V WELDMENT, 12-13, AUSST INVERTED V WELDMENT, 14-15, MS INVERTED V WELDMENT, 14-15, 304 SST INVERTED V WELDMENT, 14-15, AUSST INVERTED V WELDMENT, 16-17, MS INVERTED V WELDMENT, 16-17, 304SST INVERTED V WELDMENT, 16-17, AUSST
2	2 OR 3	00131221-A 00131221-B 00131221-C	CROSS CHANNEL WELDMENT, INVT V, MS CROSS CHANNEL WELDMENT, INVT V, 304SST CROSS CHANNEL WELDMENT, INVT V, AUSST
3	1	00131240-A 00131240-B 00132494-A 00132494-B	BOLT KIT, INVERTED V MCV 8-13, MS BOLT KIT, INVERTED V MCV 8-13, SST BOLT KIT, INVERTED V MCV 14-17, MS BOLT KIT, INVERTED V MCV 14-17, SST

00012828 LIGHT KIT, SLIP IN

Item	Qty	Part Number	Description
1	2	00053259-A 00053259-B	Guard, Clearance Light, MS Guard, Clearance Light, 304 SST
2	2	05041078	Light Red, Clearance
3	1	05041079	Light, Red, 3 Bar Cluster
4	2	05051433	Reflector, Red, Stick-On
5	2	05051434	Reflector, Amber, Stick-On
6	12 FT	05041313	Cable Wire, 14 Gauge/ 2 Conductor
7	4	05052474	Clamp, 1/4" ID, Cushioned Metal, SST
8	6	05010593	Bolt, 1/4-20 x 1, G8, HHCs, Zinc
9	6	05020899	Nut, 1/4-20, Top Lock, Zinc
10	10	05016060	Screw, 310-24 x 1, PH, TRS, HD
11	10	05020964	Nut, #10-24, Nylon Lock, 316 SST

00012831 LIGHT KIT, STOP/TURN/TAIL, PAIR

Item	Qty	Part Number	Description
1	2	05041080	Light, Stop/Turn/Tail
2	10 FT	05041314	Cable Wire, 14 Gauge, /3 Conductor

00012829 4" SPOT LIGHT

Item	Qty	Part Number	Description
1	1	05041088	Light, Spot, Rubber Housing

00012836 LIGHT KIT, JUNCTION BOX ASSEMBLY

Item	Qty	Part Number	Description
1	1	05041583	Plug, 7-Pole Molded w/ 10' Cable
2	1	05041094	Junction Box, 4" Round

LAMP KIT, AMBER (2) 7" FLASHING

Item	Qty	Part Number	Description
1	1	05041085 05041763	LAMP KIT, AMBER, (2) 7" FLASHING HAZARD LIGHT LAMP KIT, AMBER (2) 7" FLASHING LED

BAR LIGHTS

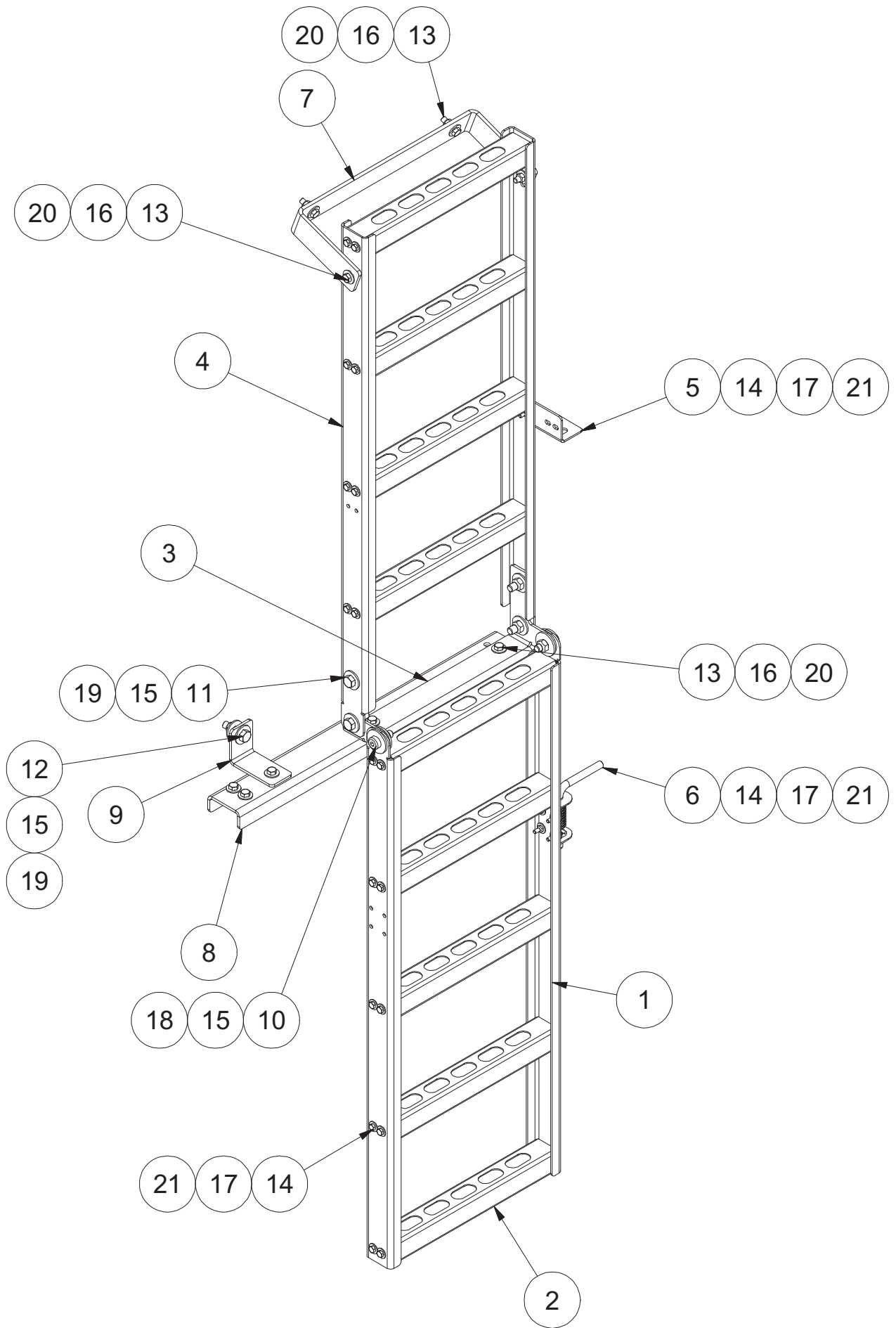
Item	Qty	Part Number	Description
1	1	00056063-A	Bar Light, 30, MS
		00056063-B	Bar Light, 30, 304 SST
		00056063-D	Bar Light, 30, Corten
		00145951-A	Bar Light, 72, S/T/T, MS
		00145951-B	Bar Light, 72, S/T/T, 304 SST

00088776 LIGHT KIT, S/T/T, LED

Item	Qty	Part Number	Description
1	2	05041609	Light, Stop/Turn/Tail, Betts LED
2	10 FT	05041314	Cable Wire, 14 Gauge, /3 Conductor

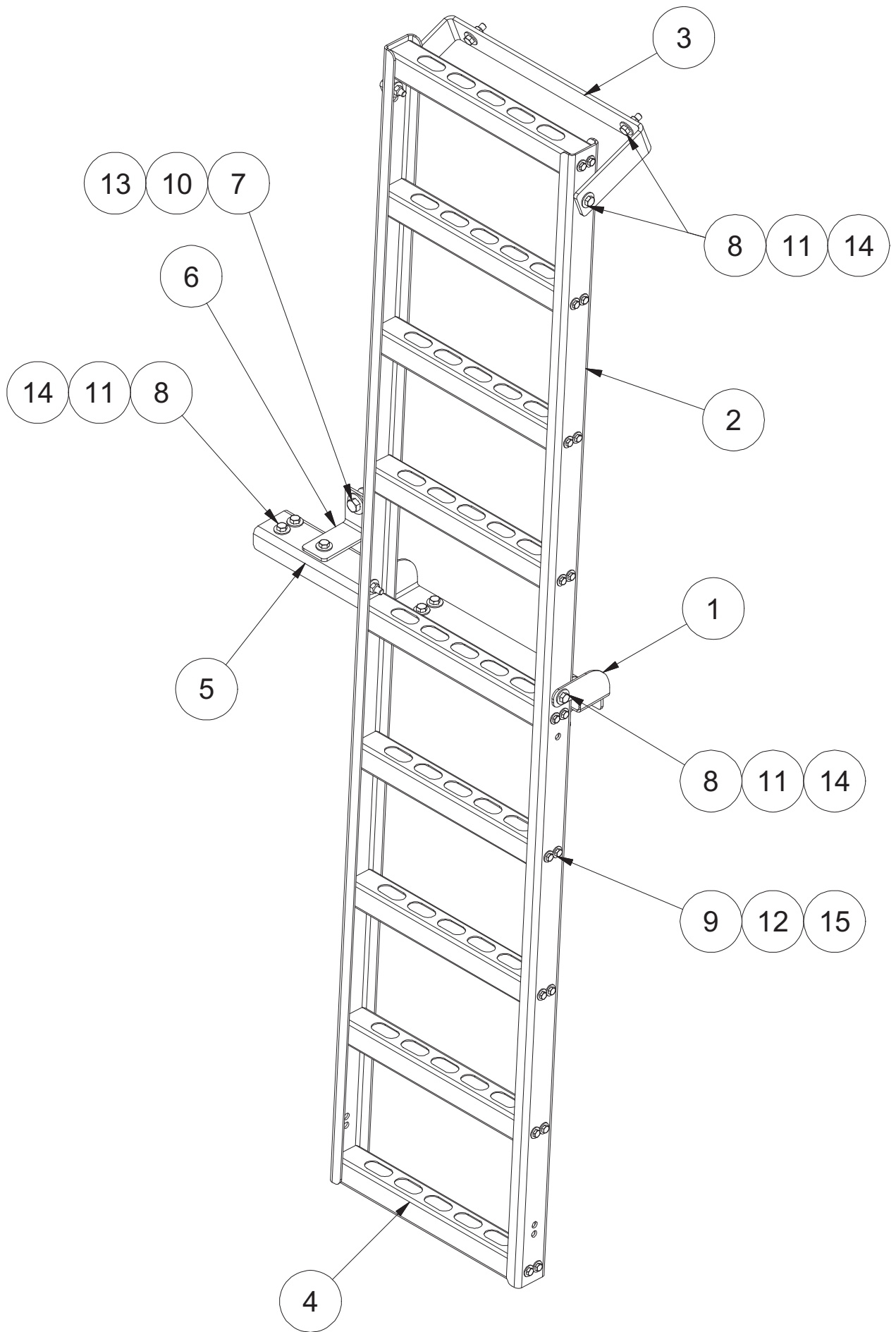
00088775 LIGHT KIT, SLIP IN, LED

Item	Qty	Part Number	Description
1	2	00053259-A	Guard, Clearance Light, MS
		00053259-B	Guard, Clearance Light, 304 SST
2	2	05041596	Light, Red, Clearance, Betts, LED
3	1	05014597	Light, Red, 3 bar Cluster, Betts, LED
4	2	05051433	Reflector, Red, Stick-On
5	2	05051434	Reflector, Amber, Stick-On
6	12 FT	05041313	Cable Wire, 14 Gauge/ 2 Conductor
7	4	05052474	Clamp, 1/4" ID, Cushioned Metal
8	6	05010593	Bolt, 1/4-20 x 1, G8, HHCs, Zinc
9	6	05020899	Nut, 1/4-20, Top Lock, Zinc
10	10	05016060	Screw, 310-24 x 1, PH, TRS, HD
11	10	05020964	Nut, #10-24, Nylon Lock, 316 SST



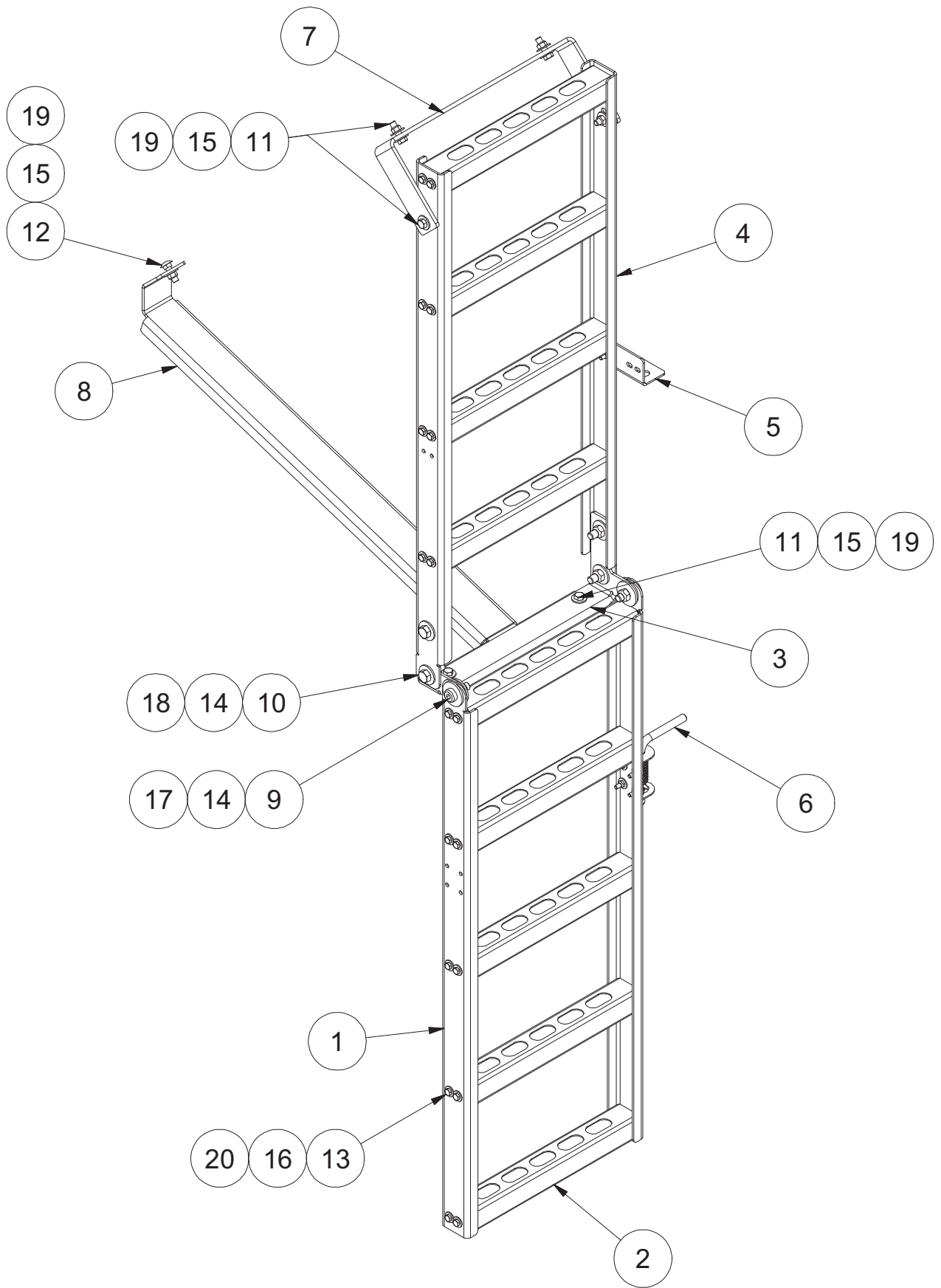
00135067 LADDER KIT, MCV, RR MT, SWING UP

ITEM	QTY	PART NUMBER	DESCRIPTION
1	2	00135066-A	RAIL,SIDE,LADDER,MCV,LWR,MS
1	2	00135066-B	RAIL,SIDE,LADDER,MCV,LWR,304
1	2	00135066-C	RAIL,SIDE,LADDER,MCV,LWR,AUSST
2	9	00131698-A	RUNG,LADDER,RDS,MS
2	9	00131698-B	RUNG,LADDER,RDS,304
3	1	00131697-A	HINGE PL,LADDER,RDS,MS
3	1	00131697-B	HINGE PL,LADDER,RDS,304
3	1	00131697-C	HINGE PL,LADDER,RDS,AUSST
4	2	00135065-A	RAIL,SIDE,LADDER,MCV,UPR,MS
4	2	00135065-B	RAIL,SIDE,LADDER,MCV,UPR,304
4	2	00135065-C	RAIL,SIDE,LADDER,MCV,UPR,AUSST
5	1	00131699-A	LATCH BRACKET,LADDER,RDS,MS
5	1	00131699-B	LATCH BRACKET,LADDER,RDS,304
5	1	00131699-C	LATCH BRACKET,LADDER,RDS,AUSST
6	1	05050289	LATCH,SPRING,1/2" PIN
7	1	00135068-A	MTG PL,LADDER,MCV,RR MT,MS
7	1	00135068-B	MTG PL,LADDER,MCV,RR MT,304
8	1	00135288-A	SUPPORT CHAN,LADDER,MCV,RR MT
8	1	00135288-B	SUPPORT CHAN,LADDER.MCV,RR,MT
8	1	00135288-C	SUPPORT CHAN,LADDER.MCV,RR,MT
9	1	00145911-A	BRACE,LADDER,MCV,RR MT,MS
9	1	00145911-B	BRACE,LADDER,MCV,RR MT,304
9	1	00145911-C	BRACE,LADDER,MCV,RR MT,AUSST
10	2	05017048	BOLT .500-13x.750,.625x.625
11	4	05010691	BOLT .500-13 x 1.50 G8 HHCS ZC
11	4	05016096	BOLT .500-13 x 1.50 HHCS SST
12	1	05010692	BOLT .500-13 x 1.75 G8 HHCS ZC
12	1	05016204	BOLT .500-13 x 1.75 HHCS SST
13	9	05010644	BOLT .375-16 x 1.25 G8 HHCS ZC
13	9	05016049	BOLT .375-16 x 1.25 HHCS SST
14	42	05010593	BOLT .250-20 x 1.00 G8 HHCS ZC
14	42	05016040	BOLT .250-20 x 1.00 HHCS SST
15	7	05020847	NUT .500-13 GC TOPLOCK C&W
15	7	05020908	NUT .500-13 NYLON LOCK 316 SST
16	9	05020898	NUT .375-16 GC TOPLOCK C&W
16	9	05020891	NUT .375-16 NYLON LOCK 316 SST
17	42	05020899	NUT .250-20 GC TOPLOCK C&W
17	42	05020906	NUT .250-20 NYLON LOCK 316 SST
18	4	05021311	WASHER .625 FLAT ZC
18	4	05021406	WASHER .625 FLAT SST
19	10	05021309	WASHER .500 FLAT ZC
19	10	05021391	WASHER .500 FLAT SST
20	18	05021307	WASHER .375 FLAT ZC
20	18	05021390	WASHER .375 FLAT SST
21	84	05021305	WASHER .250 FLAT ZC
21	84	05021403	WASHER .250 FLAT SST



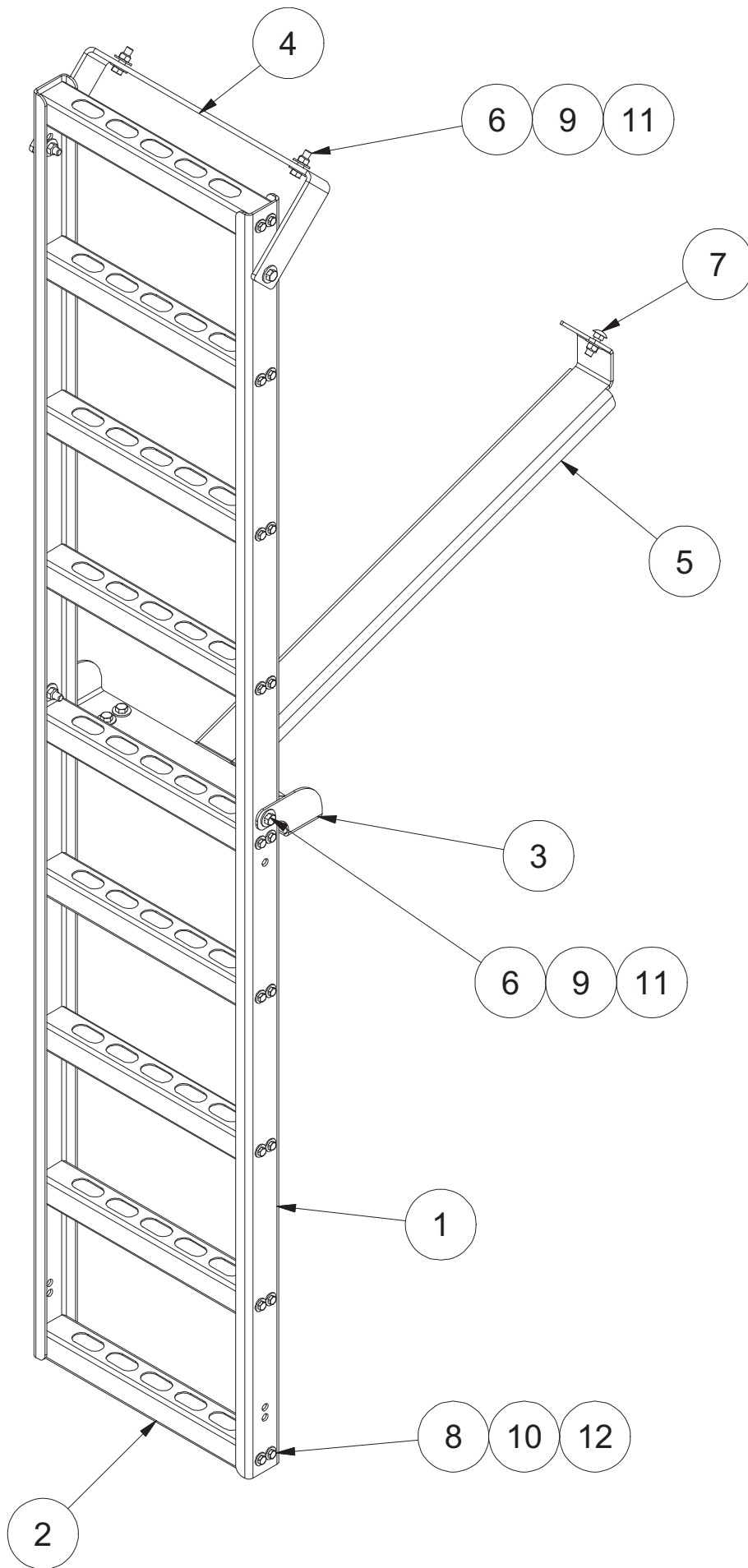
00135097 LADDER KIT, MCV, RR MOUNT

ITEM	QTY	PART NUMBER	DESCRIPTION
1	1	00135096-A	BRACKET,LADDER MT,MCV,1PC,MS
1	1	00135096-B	BRACKET,LADDER MT,MCV,1PC,304
1	1	00135096-C	BRACKET,LADDER MT,MCV,1PC,AUSS
2	2	00135095-A	RAIL,LADDER,MCV,1PC,MS
2	2	00135095-B	RAIL,LADDER,MCV,1PC,304
2	2	00135095-C	RAIL,LADDER,MCV,1PC,AUSST
3	1	00135068-A	MTG PL,LADDER,MCV,RR MT,MS
3	1	00135068-B	MTG PL,LADDER,MCV,RR MT,304
3	1	00135068-B	MTG PL,LADDER,MCV,RR MT,304
4	9	00131698-A	RUNG,LADDER,RDS,MS
4	9	00131698-B	RUNG,LADDER,RDS,304
4	9	00131698-B	RUNG,LADDER,RDS,304
5	1	00135288-A	SUPPORT CHAN,LADDER,MCV,RR MT
5	1	00135288-B	SUPPORT CHAN,LADDER.MCV,RR,MT
5	1	00135288-C	SUPPORT CHAN,LADDER.MCV,RR,MT
6	1	00145911-A	BRACE,LADDER,MCV,RR MT,MS
6	1	00145911-B	BRACE,LADDER,MCV,RR MT,304
6	1	00145911-C	BRACE,LADDER,MCV,RR MT,AUSST
7	1	05010692	BOLT .500-13 x 1.75 G8 HHCS ZC
7	1	05016204	BOLT .500-13 x 1.75 HHCS SST
8	13	05010644	BOLT .375-16 x 1.25 G8 HHCS ZC
8	13	05016049	BOLT .375-16 x 1.25 HHCS SST
9	36	05010593	BOLT .250-20 x 1.00 G8 HHCS ZC
9	36	05016040	BOLT .250-20 x 1.00 HHCS SST
10	1	05020847	NUT .500-13 GC TOPLOCK C&W
10	1	05020908	NUT .500-13 NYLON LOCK 316 SST
11	13	05020898	NUT .375-16 GC TOPLOCK C&W
11	13	05020891	NUT .375-16 NYLON LOCK 316 SST
12	36	05020899	NUT .250-20 GC TOPLOCK C&W
12	36	05020906	NUT .250-20 NYLON LOCK 316 SST
13	2	05021309	WASHER .500 FLAT ZC
13	2	05021391	WASHER .500 FLAT SST
14	26	05021307	WASHER .375 FLAT ZC
14	26	05021390	WASHER .375 FLAT SST
15	72	05021305	WASHER .250 FLAT ZC
15	72	05021403	WASHER .250 FLAT SST



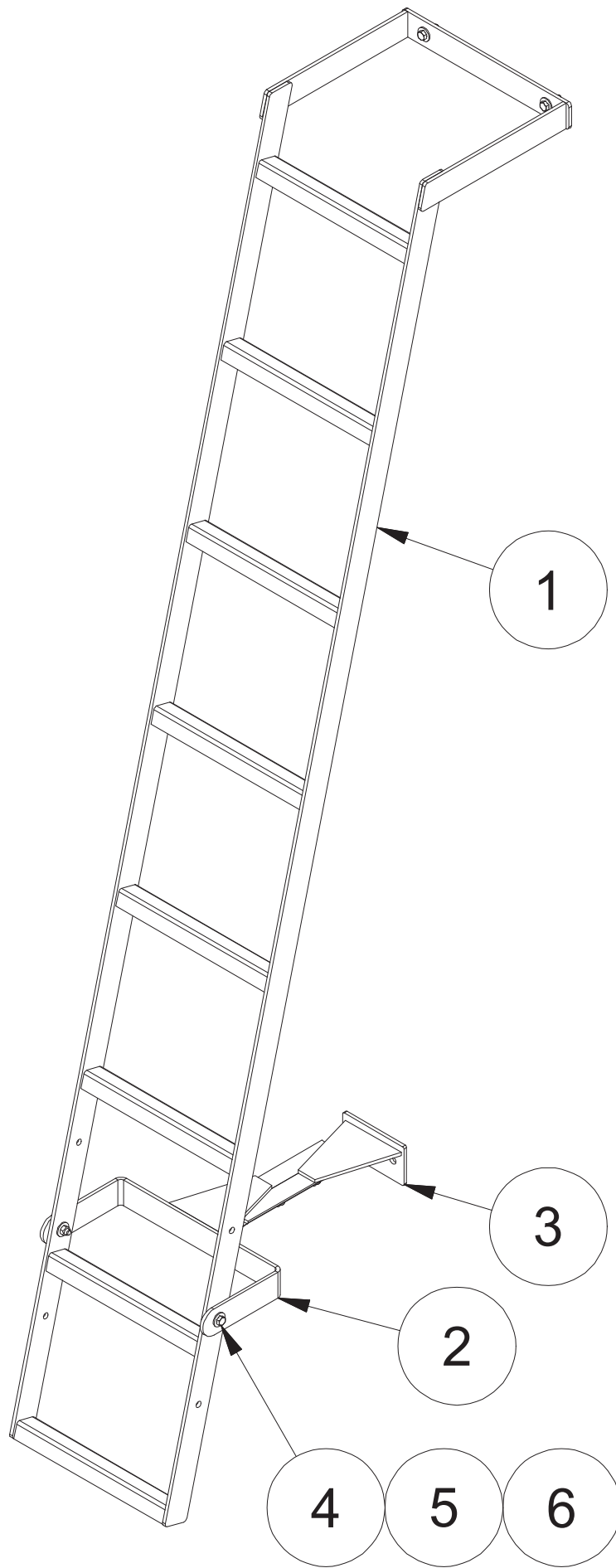
00137706 LADDER KIT, MCV, SIDE MOUNT SWING UP

ITEM	QTY	PART NUMBER	DESCRIPTION
1	2	00135066-A	RAIL,SIDE,LADDER,MCV,LWR,MS
1	2	00135066-B	RAIL,SIDE,LADDER,MCV,LWR,304
1	2	00135066-C	RAIL,SIDE,LADDER,MCV,LWR,AUSST
2	9	00131698-A	RUNG,LADDER,RDS,MS
2	9	00131698-B	RUNG,LADDER,RDS,304
2	9	00131698-B	RUNG,LADDER,RDS,304
3	1	00131697-A	HINGE PL,LADDER,RDS,MS
3	1	00131697-B	HINGE PL,LADDER,RDS,304
3	1	00131697-C	HINGE PL,LADDER,RDS,AUSST
4	2	00135065-A	RAIL,SIDE,LADDER,MCV,UPR,MS
4	2	00135065-B	RAIL,SIDE,LADDER,MCV,UPR,304
4	2	00135065-C	RAIL,SIDE,LADDER,MCV,UPR,AUSST
5	1	00131699-A	LATCH BRACKET,LADDER,RDS,MS
5	1	00131699-B	LATCH BRACKET,LADDER,RDS,304
5	1	00131699-C	LATCH BRACKET,LADDER,RDS,AUSST
6	1	05050289	LATCH,SPRING,1/2" PIN
7	1	00135068-A	MTG PL,LADDER,MCV,RR MT,MS
7	1	00135068-B	MTG PL,LADDER,MCV,RR MT,304
8	1	00137719-A	BRACE,LADDER,MCV,SD MT,SWG-UP
8	1	00137719-B	BRACE,LADDER,MCV,SD MT,SWG-UP
8	1	00137719-C	BRACE,LADDER,MCV,SD MT,SWG-UP
9	2	05017048	BOLT .500-13x.750,.625x.625
10	4	05010691	BOLT .500-13 x 1.50 G8 HHCS ZC
10	4	05016096	BOLT .500-13 x 1.50 HHCS SST
11	6	05010644	BOLT .375-16 x 1.25 G8 HHCS ZC
11	6	05016049	BOLT .375-16 x 1.25 HHCS SST
12	1	05013987	BOLT .375-16 x 1.25 G5 CRG ZC
12	1	05016746	BOLT .375-16 x 1.25 CRG SST
13	42	05010593	BOLT .250-20 x 1.00 G8 HHCS ZC
13	42	05016040	BOLT .250-20 x 1.00 HHCS SST
14	6	05020847	NUT .500-13 GC TOPLOCK C&W
14	6	05020908	NUT .500-13 NYLON LOCK 316 SST
15	7	05020898	NUT .375-16 GC TOPLOCK C&W
15	7	05020891	NUT .375-16 NYLON LOCK 316 SST
16	42	05020899	NUT .250-20 GC TOPLOCK C&W
16	42	05020906	NUT .250-20 NYLON LOCK 316 SST
17	4	05021311	WASHER .625 FLAT ZC
17	4	05021406	WASHER .625 FLAT SST
18	8	05021309	WASHER .500 FLAT ZC
18	8	05021391	WASHER .500 FLAT SST
19	13	05021307	WASHER .375 FLAT ZC
19	13	05021390	WASHER .375 FLAT SST
20	84	05021305	WASHER .250 FLAT ZC
20	84	05021403	WASHER .250 FLAT SST



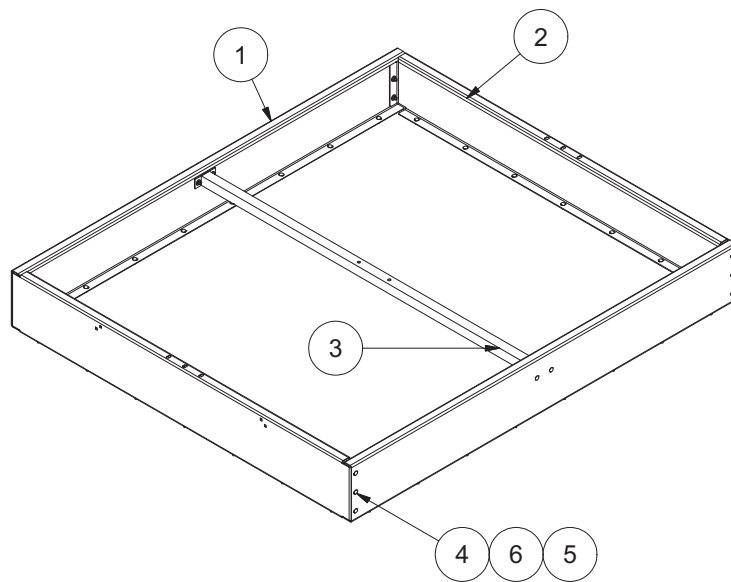
00137710 LADDER KIT,MCV, SIDE MOUNT

ITEM	QTY	PART NUMBER	DESCRIPTION
1	2	00135095-A	RAIL,LADDER,MCV,1PC,MS
1	2	00135095-B	RAIL,LADDER,MCV,1PC,304
1	2	00135095-C	RAIL,LADDER,MCV,1PC,AUSS
2	9	00131698-A	RUNG,LADDER,RDS,MS
2	9	00131698-B	RUNG,LADDER,RDS,304
2	9	00131698-B	RUNG,LADDER,RDS,304
3	1	00135096-A	BRACKET,LADDER MT,MCV,1PC,MS
3	1	00135096-B	BRACKET,LADDER MT,MCV,1PC,304
3	1	00135096-C	BRACKET,LADDER MT,MCV,1PC,AUSS
4	1	00135068-A	MTG PL,LADDER,MCV,RR MT,MS
4	1	00135068-B	MTG PL,LADDER,MCV,RR MT,304
5	1	00137720-A	BRACE,LADDER,MCV,SD MT
5	1	00137720-B	BRACE,LADDER,MCV,SD MT
5	1	00137720-C	BRACE,LADDER,MCV,SD MT
6	10	05010644	BOLT .375-16 x 1.25 G8 HHCS ZC
6	10	05016049	BOLT .375-16 x 1.25 HHCS SST
7	1	05013987	BOLT .375-16 x 1.25 G5 CRG ZC
7	1	05016746	BOLT .375-16 x 1.25 CRG SST
8	36	05010593	BOLT .250-20 x 1.00 G8 HHCS ZC
8	36	05016040	BOLT .250-20 x 1.00 HHCS SST
9	11	05020898	NUT .375-16 GC TOPLOCK C&W
9	11	05020891	NUT .375-16 NYLON LOCK 316 SST
10	36	05020899	NUT .250-20 GC TOPLOCK C&W
10	36	05020906	NUT .250-20 NYLON LOCK 316 SST
11	21	05021307	WASHER .375 FLAT ZC
11	21	05021390	WASHER .375 FLAT SST
12	72	05021305	WASHER .250 FLAT ZC
12	72	05021403	WASHER .250 FLAT SST



00136580 LADDER KIT, MCV, COMBO

ITEM	QTY	PART NUMBER	DESCRIPTION
1	1	00136579-A	LADDER WLDMT,MCV,COMBO,MS
1	1	00136579-B	LADDER WLDMT,MCV,COMBO,304
2	1	00086368-A	BRACE WLDMT,LADDER,MV/MSV,FR
2	1	00086368-B	BRACE WLDMT,LADDER,MV/MSV,FR
3	1	00086369-A	BRACE WLDMT,LADDER,MV/MSV,RR
3	1	00086369-B	BRACE WLDMT,LADDER,MV/MSV,RR
4	6	05010644	BOLT .375-16 x 1.25 G8 HHCS ZC
4	6	05016049	BOLT .375-16 x 1.25 HHCS, SST
5	6	05020898	NUT .375-16 GC TOPLOCK C&W
5	6	05020891	NUT .375-16 NYLON LOCK, 316 SST
6	12	05021307	WASHER .375 FLAT ZC
6	12	05021390	WASHER .375 FLAT ZC



00142307 EXTENSION KIT, MCV, SIDE, 96X84X12, 10GA

Item	Qty.	Part Number	Description
1	2	00142300-A 00142300-B 00142300-C	EXTENSION, SD PANEL, MCV, 96X12, MS EXTENSION, SD PANEL, MCV, 96X12, 304SST EXTENSION, SD PANEL, MCV, 96X12, AUSST
2	2	00135057-A 00135057-B 00135057-C	EXERTION, FR/RR PANEL, MCV, 84X12, MS EXERTION, FR/RR PANEL, MCV, 84X12, 304SST EXERTION, FR/RR PANEL, MCV, 84X12, AUSST
3	1	00135286-A 00135286-B 00135286-C	CROSS ANGLE WELDMENT, MCV, BM MT, MS CROSS ANGLE WELDMENT, MCV, BM MT, 304SST CROSS ANGLE WELDMENT, MCV, BM MT, AUSST
4	46	05013986 05016003	BOLT, .375-16 X 1, G5, CARRIAGE, ZINC BOLT, .375-16 X 1, CARRIAGE, SST
5	46	05021307 05021390	WASHER, .375, FLAT, ZINC WASHER, .375, FLAT, SST
6	46	05020898 05020891	NUT, .375-16, GC, TOP LOCK, C&W NUT, .375-16, NYLON LOCK, 316 SST

00142308 EXTENSION KIT, MCV, SIDE, 108X84X12, 10GA

Item	Qty.	Part Number	Description
1	2	00142301-A 00142301-B 00142301-C	EXTENSION, SD PANEL, MCV, 108X12, MS EXTENSION, SD PANEL, MCV, 108X12, 304SST EXTENSION, SD PANEL, MCV, 108X12, AUSST
2	2	00135057-A 00135057-B 00135057-C	EXERTION, FR/RR PANEL, MCV, 84X12, MS EXERTION, FR/RR PANEL, MCV, 84X12, 304SST EXERTION, FR/RR PANEL, MCV, 84X12, AUSST
3	1	00135286-A 00135286-B 00135286-C	CROSS ANGLE WELDMENT, MCV, BM MT, MS CROSS ANGLE WELDMENT, MCV, BM MT, 304SST CROSS ANGLE WELDMENT, MCV, BM MT, AUSST
4	48	05013986 05016003	BOLT, .375-16 X 1, G5, CARRIAGE, ZINC BOLT, .375-16 X 1, CARRIAGE, SST
5	48	05021307 05021390	WASHER, .375, FLAT, ZINC WASHER, .375, FLAT, SST
6	48	05020898 05020891	NUT, .375-16, GC, TOP LOCK, C&W NUT, .375-16, NYLON LOCK, 316 SST

00135058 EXTENSION KIT, MCV, SIDE, 120X84X12, 10GA

Item	Qty.	Part Number	Description
1	2	00135056-A 00135056-B 00135056-C	EXTENSION, SD PANEL, MCV, 120X12, MS EXTENSION, SD PANEL, MCV, 120X12, 304SST EXTENSION, SD PANEL, MCV, 120X12, AUSST
2	2	00135057-A 00135057-B 00135057-C	EXERTION, FR/RR PANEL, MCV, 84X12, MS EXERTION, FR/RR PANEL, MCV, 84X12, 304SST EXERTION, FR/RR PANEL, MCV, 84X12, AUSST
3	1	00135286-A 00135286-B 00135286-C	CROSS ANGLE WELDMENT, MCV, BM MT, MS CROSS ANGLE WELDMENT, MCV, BM MT, 304SST CROSS ANGLE WELDMENT, MCV, BM MT, AUSST
4	50	05013986 05016003	BOLT, .375-16 X 1, G5, CARRIAGE, ZINC BOLT, .375-16 X 1, CARRIAGE, SST
5	50	05021307 05021390	WASHER, .375, FLAT, ZINC WASHER, .375, FLAT, SST
6	50	05020898 05020891	NUT, .375-16, GC, TOP LOCK, C&W NUT, .375-16, NYLON LOCK, 316 SST

00142309 EXTENSION KIT, MCV, SIDE, 132X84X12, 10GA

Item	Qty.	Part Number	Description
1	2	00142302-A 00142302-B 00142302-C	EXTENSION, SD PANEL, MCV, 132X12, MS EXTENSION, SD PANEL, MCV, 132X12, 304SST EXTENSION, SD PANEL, MCV, 132X12, AUSST
2	2	00135057-A 00135057-B 00135057-C	EXERTION, FR/RR PANEL, MCV, 84X12, MS EXERTION, FR/RR PANEL, MCV, 84X12, 304SST EXERTION, FR/RR PANEL, MCV, 84X12, AUSST
3	1	00135286-A 00135286-B 00135286-C	CROSS ANGLE WELDMENT, MCV, BM MT, MS CROSS ANGLE WELDMENT, MCV, BM MT, 304SST CROSS ANGLE WELDMENT, MCV, BM MT, AUSST
4	52	05013986 05016003	BOLT, .375-16 X 1, G5, CARRIAGE, ZINC BOLT, .375-16 X 1, CARRIAGE, SST
5	52	05021307 05021390	WASHER, .375, FLAT, ZINC WASHER, .375, FLAT, SST
6	52	05020898 05020891	NUT, .375-16, GC, TOP LOCK, C&W NUT, .375-16, NYLON LOCK, 316 SST

00142310 EXTENSION KIT, MCV, SIDE, 144X84X12, 10GA

Item	Qty.	Part Number	Description
1	2	00142303-A 00142303-B 00142303-C	EXTENSION, SD PANEL, MCV,144X12,MS EXTENSION, SD PANEL, MCV,144X12,304 SST EXTENSION, SD PANEL, MCV,144X12,AUSST
2	2	00135057-A 00135057-B 00135057-C	EXERTION, FR/RR PANEL, MCV, 84X12, MS EXERTION, FR/RR PANEL, MCV, 84X12, 304SST EXERTION, FR/RR PANEL, MCV, 84X12, AUSST
3	1	00135286-A 00135286-B 00135286-C	CROSS ANGLE WELDMENT, MCV, BM MT, MS CROSS ANGLE WELDMENT, MCV, BM MT, 304SST CROSS ANGLE WELDMENT, MCV, BM MT, AUSST
4	54	05013986 05016003	BOLT, .375-16 X 1, G5, CARRIAGE, ZINC BOLT, .375-16 X 1, CARRIAGE, SST
5	54	05021307 05021390	WASHER, .375, FLAT, ZINC WASHER, .375, FLAT, SST
6	54	05020898 05020891	NUT, .375-16, GC, TOP LOCK, C&W NUT, .375-16, NYLON LOCK, 316 SST

00142311 EXTENSION KIT, MCV, SIDE, 156X84X12, 10GA

Item	Qty.	Part Number	Description
1	2	00142304-A 00142304-B 00142304-C	EXTENSION, SD PANEL, MCV, 156X12, MS EXTENSION, SD PANEL, MCV, 156X12, 304SST EXTENSION, SD PANEL, MCV, 156X12, AUSST
2	2	00135057-A 00135057-B 00135057-C	EXERTION, FR/RR PANEL, MCV, 84X12, MS EXERTION, FR/RR PANEL, MCV, 84X12, 304SST EXERTION, FR/RR PANEL, MCV, 84X12, AUSST
3	1	00135286-A 00135286-B 00135286-C	CROSS ANGLE WELDMENT, MCV, BM MT, MS CROSS ANGLE WELDMENT, MCV, BM MT, 304SST CROSS ANGLE WELDMENT, MCV, BM MT, AUSST
4	56	05013986 05016003	BOLT, .375-16 X 1, G5, CARRIAGE, ZINC BOLT, .375-16 X 1, CARRIAGE, SST
5	56	05021307 05021390	WASHER, .375, FLAT, ZINC WASHER, .375, FLAT, SST
6	56	05020898 05020891	NUT, .375-16, GC, TOP LOCK, C&W NUT, .375-16, NYLON LOCK, 316 SST

00142312 EXTENSION KIT, MCV, SIDE, 168X84X12, 10GA

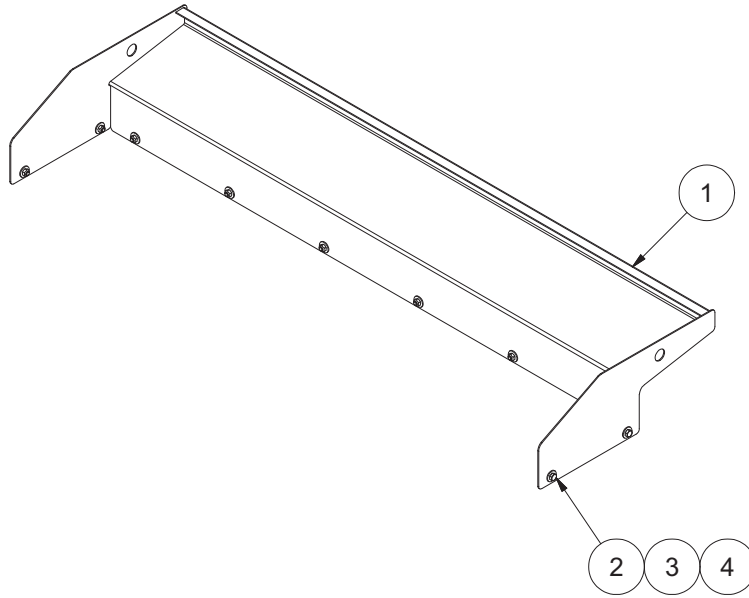
Item	Qty.	Part Number	Description
1	2	00142305-A 00142305-B 00142305-C	EXTENSION, SD PANEL, MCV, 168X12, MS EXTENSION, SD PANEL, MCV, 168X12, 304SST EXTENSION, SD PANEL, MCV, 168X12, AUSST
2	2	00135057-A 00135057-B 00135057-C	EXERTION, FR/RR PANEL, MCV, 84X12, MS EXERTION, FR/RR PANEL, MCV, 84X12, 304SST EXERTION, FR/RR PANEL, MCV, 84X12, AUSST
3	1	00135286-A 00135286-B 00135286-C	CROSS ANGLE WELDMENT, MCV, BM MT, MS CROSS ANGLE WELDMENT, MCV, BM MT, 304SST CROSS ANGLE WELDMENT, MCV, BM MT, AUSST
4	62	05013986 05016003	BOLT, .375-16 X 1, G5, CARRIAGE, ZINC BOLT, .375-16 X 1, CARRIAGE, SST
5	62	05021307 05021390	WASHER, .375, FLAT, ZINC WASHER, .375, FLAT, SST
6	62	05020898 05020891	NUT, .375-16, GC, TOP LOCK, C&W NUT, .375-16, NYLON LOCK, 316 SST

00142313 EXTENSION KIT, MCV, SIDE, 180X84X12, 10GA

Item	Qty.	Part Number	Description
1	2	00142306-A 00142306-B 00142306-C	EXTENSION, SD PANEL, MCV, 180X12, MS EXTENSION, SD PANEL, MCV, 180X12, 304SST EXTENSION, SD PANEL, MCV, 180X12, AUSST
2	2	00135057-A 00135057-B 00135057-C	EXERTION, FR/RR PANEL, MCV, 84X12, MS EXERTION, FR/RR PANEL, MCV, 84X12, 304SST EXERTION, FR/RR PANEL, MCV, 84X12, AUSST
3	1	00135286-A 00135286-B 00135286-C	CROSS ANGLE WELDMENT, MCV, BM MT, MS CROSS ANGLE WELDMENT, MCV, BM MT, 304SST CROSS ANGLE WELDMENT, MCV, BM MT, AUSST
4	64	05013986 05016003	BOLT, .375-16 X 1, G5, CARRIAGE, ZINC BOLT, .375-16 X 1, CARRIAGE, SST
5	64	05021307 05021390	WASHER, .375, FLAT, ZINC WASHER, .375, FLAT, SST
6	64	05020898 05020891	NUT, .375-16, GC, TOP LOCK, C&W NUT, .375-16, NYLON LOCK, 316 SST

BEARING GREASE EXT KIT, AUG, FR-RR

Item	Qty.	Part Number	Description
1	1	00053181-A	BRACKET, EXT, MS
2	1	05051481	ADAPTER, GREASE LINE, 14-28 UNF
3	1	05050003	GREASE FITTING, .125 NPT STRAIGHT
4	1	05037660	COUPLING, .125" NPT, GALV
5	1	05039821 05037085 05037086 05037087 05037088 05037089 05037090 05037091 05037092 05038077 05038612	HOSE ASSEMBLY, GREASE EXT/REAR 8' HOSE ASSEMBLY, GREASE EXT/REAR, 9' HOSE ASSEMBLY, GREASE EXT/REAR, 10' HOSE ASSEMBLY, GREASE EXT/REAR, 11' HOSE ASSEMBLY, GREASE EXT/REAR, 12' HOSE ASSEMBLY, GREASE EXT/REAR, 13' HOSE ASSEMBLY, GREASE EXT/REAR, 14' HOSE ASSEMBLY, GREASE EXT/REAR, 15' HOSE ASSEMBLY, GREASE EXT/REAR, 16' HOSE ASSEMBLY, GREASE EXT/REAR, 17' HOSE ASSEMBLY, GREASE EXT/REAR, 18'
6	1	05052475	CLAMP, .375" CUSHIONED METAL, #6, .5" WIDE, SST
7	2	05016942	SCREW, TEK #10-16X.75" 410 SST
8	---	05050744	BUSHING, OPEN/CLOSED, SNAP, .453 ID



CABSHIELD KITS			
Item	Qty.	Part Number	Description
1	1	00135061-A 00135061-B 00135061-C 00145307-A 00145307-B 00145307-C 00141765-A 00141765-B 00141765-C	CABSHIELD WELDMENT, MCV, 4X12X84, MS CABSHIELD WELDMENT, MCV, 4X12X84, 304SST CABSHIELD WELDMENT, MCV, 4X12X84, AUSST CABSHIELD WELDMENT, MCV, 4X24X84, MS CABSHIELD WELDMENT, MCV, 4X24X84, 304SST CABSHIELD WELDMENT, MCV, 4X24X84, AUSST CABSHIELD WELDMENT, MCV, 14X24X84, MS CABSHIELD WELDMENT, MCV, 14X24X84, 304SST CABSHIELD WELDMENT, MCV, 14X24X84, AUSST
2	10	05010689 05016047	BOLT, .5-13 X 1, G8, HHCS, ZINC BOLT, .5-13 X 1, HHCS, SST
3	10	05020847 05020908	NUT, .5-13, GC, TOP LOCK, C&W NUT, .5-13, NYLON LOCK, 316 SST
4	20	05021309 05021391	WASHER, .5, FLAT, ZINC WASHER, .5, FLAT, SST

00056835 PIPE KIT, CHASSIS MT, 9'

Item	Qty.	Part Number	Description
1	1	05038026	TUBE, STEEL, 1.250, 84" OAL
2	2	05038025	TUBE, STEEL, .750, 84" OAL
3	4	05050093	CLAMP, UHMW, 2 PIECE, 1" X 2" X 7"
4	12	05010653 05016046	BOLT, .375-16 X 3.5, G8, HHCS, ZINC BOLT, .375-16 X 3.5, HHCS, SST
5	12	05020898 05020891	NUT, .375-16, TOP LOCK, C&W, GR C NUT, .375-16, NYLON LOCK, SST
6	24	05021307 05021390	WASHER, .375, FLAT, ZINC WASHER, .375, FLAT, SST

00056836 PIPE KIT, CHASSIS MT, 10'

Item	Qty.	Part Number	Description
1	1	05037418	TUBE, STEEL, 1.250, 96" OAL
2	2	05037417	TUBE, STEEL, .750, 96" OAL
3	4	05050093	CLAMP, UHMW, 2 PIECE, 1" X 2" X 7"
4	12	05010653 05016046	BOLT, .375-16 X 3.5, G8, HHCS, ZINC BOLT, .375-16 X 3.5, HHCS, SST
5	12	05020898 05020891	NUT, .375-16, TOP LOCK, C&W, GR C NUT, .375-16, NYLON LOCK, SST
6	24	05021307 05021390	WASHER, .375, FLAT, ZINC WASHER, .375, FLAT, SST

00056837 PIPE KIT, CHASSIS MT, 11'

Item	Qty.	Part Number	Description
1	1	05051209	TUBE, STEEL, 1.250, 108" OAL
2	2	05051208	TUBE, STEEL, .750, 108" OAL
3	5	05050093	CLAMP, UHMW, 2 PIECE, 1" X 2" X 7"
4	15	05010653 05016046	BOLT, .375-16 X 3.5, G8, HHCS, ZINC BOLT, .375-16 X 3.5, HHCS, SST
5	15	05020898 05020891	NUT, .375-16, TOP LOCK, C&W, GR C NUT, .375-16, NYLON LOCK, SST
6	30	05021307 05021390	WASHER, .375, FLAT, ZINC WASHER, .375, FLAT, SST

00056838 PIPE KIT, CHASSIS MT, 12'

Item	Qty.	Part Number	Description
1	1	05037427	TUBE, STEEL, 1.250, 120" OAL
2	2	05037426	TUBE, STEEL, .750, 120" OAL
3	5	05050093	CLAMP, UHMW, 2 PIECE, 1" X 2" X 7"
4	15	05010653 05016046	BOLT, .375-16 X 3.5, G8, HHCS, ZINC BOLT, .375-16 X 3.5, HHCS, SST
5	15	05020898 05020891	NUT, .375-16, TOP LOCK, C&W, GR C NUT, .375-16, NYLON LOCK, SST
6	30	05021307 05021390	WASHER, .375, FLAT, ZINC WASHER, .375, FLAT, SST

00056839 PIPE KIT, CHASSIS MT, 13'

Item	Qty.	Part Number	Description
1	1	05051211	TUBE, STEEL, 1.250, 132" OAL
2	2	05051210	TUBE, STEEL, .750, 132" OAL
3	6	05050093	CLAMP, UHMW, 2 PIECE, 1" X 2" X 7"
4	18	05010653 05016046	BOLT, .375-16 X 3.5, G8, HHCS, ZINC BOLT, .375-16 X 3.5, HHCS, SST
5	18	05020898 05020891	NUT, .375-16, TOP LOCK, C&W, GR C NUT, .375-16, NYLON LOCK, SST
6	36	05021307 05021390	WASHER, .375, FLAT, ZINC WASHER, .375, FLAT, SST

00056840 PIPE KIT, CHASSIS MT, 14'

Item	Qty.	Part Number	Description
1	1	05037034	TUBE, STEEL, 1.250, 144" OAL
2	2	05037035	TUBE, STEEL, .750, 144" OAL
3	6	05050093	CLAMP, UHMW, 2 PIECE, 1" X 2" X 7"
4	18	05010653 05016046	BOLT, .375-16 X 3.5, G8, HHCS, ZINC BOLT, .375-16 X 3.5, HHCS, SST
5	18	05020898 05020891	NUT, .375-16, TOP LOCK, C&W, GR C NUT, .375-16, NYLON LOCK, SST
6	36	05021307 05021390	WASHER, .375, FLAT, ZINC WASHER, .375, FLAT, SST

00056841 PIPE KIT, CHASSIS MT, 15'

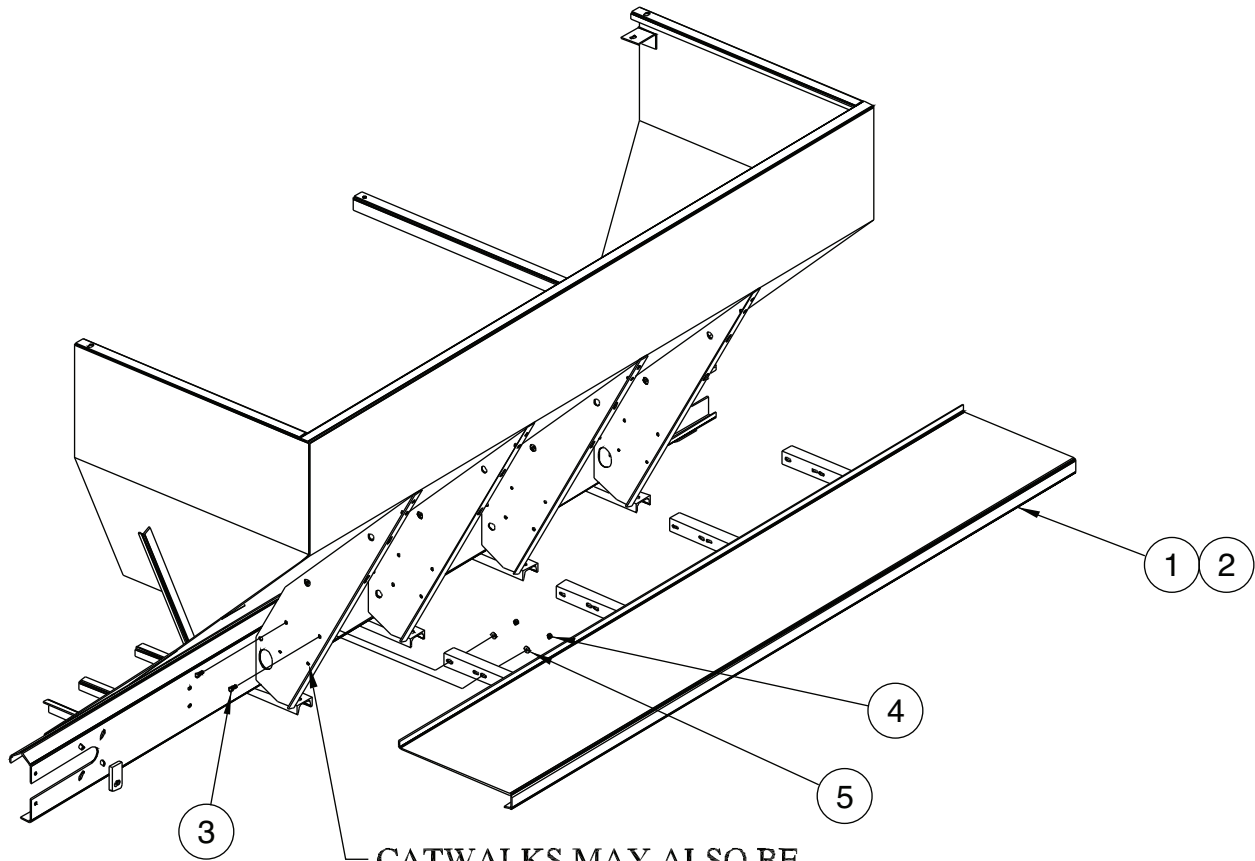
Item	Qty.	Part Number	Description
1	1	05050027	TUBE, STEEL, 1.250, 158" OAL
2	2	05050026	TUBE, STEEL, .750, 158" OAL
3	7	05050093	CLAMP, UHMW, 2 PIECE, 1" X 2" X 7"
4	21	05010653 05016046	BOLT, .375-16 X 3.5, G8, HHCS, ZINC BOLT, .375-16 X 3.5, HHCS, SST
5	21	05020898 05020891	NUT, .375-16, TOP LOCK, C&W, GR C NUT, .375-16, NYLON LOCK, SST
6	42	05021307 05021390	WASHER, .375, FLAT, ZINC WASHER, .375, FLAT, SST

00056842 PIPE KIT, CHASSIS MT, 16'

Item	Qty.	Part Number	Description
1	1	05050266	TUBE, STEEL, 1.250, 168" OAL
2	2	05050265	TUBE, STEEL, .750, 168" OAL
3	7	05050093	CLAMP, UHMW, 2 PIECE, 1" X 2" X 7"
4	21	05010653 05016046	BOLT, .375-16 X 3.5, G8, HHCS, ZINC BOLT, .375-16 X 3.5, HHCS, SST
5	21	05020898 05020891	NUT, .375-16, TOP LOCK, C&W, GR C NUT, .375-16, NYLON LOCK, SST
6	42	05021307 05021390	WASHER, .375, FLAT, ZINC WASHER, .375, FLAT, SST

00056843 PIPE KIT, CHASSIS MT, 17'

Item	Qty.	Part Number	Description
1	1	05038141	TUBE, STEEL, 1.250, 180" OAL
2	2	05038140	TUBE, STEEL, .750, 180" OAL
3	8	05050093	CLAMP, UHMW, 2 PIECE, 1" X 2" X 7"
4	24	05010653 05016046	BOLT, .375-16 X 3.5, G8, HHCS, ZINC BOLT, .375-16 X 3.5, HHCS, SST
5	24	05020898 05020891	NUT, .375-16, TOP LOCK, C&W, GR C NUT, .375-16, NYLON LOCK, SST
6	48	05021307 05021390	WASHER, .375, FLAT, ZINC WASHER, .375, FLAT, SST



CATWALKS MAY ALSO BE MOUNTED IN LOWER HOLES IF DESIRED.

00042903 CATWALK KIT, 8'-9', PAIR			
Item	Qty	Part Number	Description
1	1	00146206-A	CATWALK WELDMENT, V-BOX, RH, FL PL, MS
		00146206-B	CATWALK WELDMENT, V-BOX, RH, FL PL, 304SST
		00146206-C	CATWALK WELDMENT, V-BOX, RH, FL PL, AUSST
2	1	00146212-A	CATWALK WELDMENT, V-BOX, LH, FL PL, MS
		00146212-B	CATWALK WELDMENT, V-BOX, LH, FL PL, 304SST
		00146212-C	CATWALK WELDMENT, V-BOX, LH, FL PL, AUSST
3	12	05010643	BOLT, .375-16 X 1, G8, HHCS, ZINC
		05016034	BOLT, .375-16 X 1, HHCS, SST
4	12	05020898	NUT, .375-16, GC, TOP LOCK, C&W
		05020891	NUT, .375-16, NYLON LOCK, 316 SST
5	24	05021307	WASHER, .375, FLAT, ZINC
		05021390	WASHER, .375, FLAT, SST

00042905 CATWALK KIT, 10'-11', PAIR

Item	Qty	Part Number	Description
1	1	00146207-A	CATWALK WELDMENT, V-BOX, RH, FL PL, MS
		00146207-B	CATWALK WELDMENT, V-BOX, RH, FL PL, 304SST
		00146207-C	CATWALK WELDMENT, V-BOX, RH, FL PL, AUSST
2	1	00146213-A	CATWALK WELDMENT, V-BOX, LH, FL PL, MS
		00146213-B	CATWALK WELDMENT, V-BOX, LH, FL PL, 304SST
		00146213-C	CATWALK WELDMENT, V-BOX, LH, FL PL, AUSST
3	16	05010643	BOLT, .375-16 X 1, G8, HHCS, ZINC
		05016034	BOLT, .375-16 X 1, HHCS, SST
4	16	05020898	NUT, .375-16, GC, TOP LOCK, C&W
		05020891	NUT, .375-16, NYLON LOCK, 316 SST
5	32	05021307	WASHER, .375, FLAT, ZINC
		05021390	WASHER, .375, FLAT, SST

00042907 CATWALK KIT, 12'-13', PAIR

Item	Qty	Part Number	Description
1	1	00146208-A	CATWALK WELDMENT, V-BOX, RH, FL PL, MS
		00146208-B	CATWALK WELDMENT, V-BOX, RH, FL PL, 304 SST
		00146208-C	CATWALK WELDMENT, V-BOX, RH, FL PL, AUSST
2	1	00146214-A	CATWALK WELDMENT, V-BOX, LH, FL PL, MS
		00146214-B	CATWALK WELDMENT, V-BOX, LH, FL PL, 304SST
		00146214-C	CATWALK WELDMENT, V-BOX, LH, FL PL, AUSST
3	20	05010643	BOLT, .375-16 X 1, G8, HHCS, ZINC
		05016034	BOLT, .375-16 X 1, HHCS, SST
4	20	05020898	NUT, .375-16, GC, TOP LOCK, C&W
		05020891	NUT, .375-16, NYLON LOCK, 316 SST
5	40	05021307	WASHER, .375, FLAT, ZINC
		05021390	WASHER, .375, FLAT, SST

00042909 CATWALK KIT, 14'-15', PAIR

Item	Qty	Part Number	Description
1	1	00146209-A	CATWALK WELDMENT, V-BOX, RH, FL PL, MS
		00146209-B	CATWALK WELDMENT, V-BOX, RH, FL PL, 304SST
		00146209-C	CATWALK WELDMENT, V-BOX, RH, FL PL, AUSST
2	1	00146215-A	CATWALK WELDMENT, V-BOX, LH, FL PL, MS
		00146215-B	CATWALK WELDMENT, V-BOX, LH, FL PL, 304SST
		00146215-C	CATWALK WELDMENT, V-BOX, LH, FL PL, AUSST
3	24	05010643	BOLT, .375-16 X 1, G8, HHCS, ZINC
		05016034	BOLT, .375-16 X 1, HHCS, SST
4	24	05020898	NUT, .375-16, GC, TOP LOCK, C&W
		05020891	NUT, .375-16, NYLON LOCK, 316 SST
5	48	05021307	WASHER, .375, FLAT, ZINC
		05021390	WASHER, .375, FLAT, SST

00042911 CATWALK KIT, 16'-17', PAIR

Item	Qty	Part Number	Description
1	1	00146210-A	CATWALK WELDMENT, V-BOX, RH, FL PL, MS
		00146210-B	CATWALK WELDMENT, V-BOX, RH, FL PL, 304SST
		00146210-C	CATWALK WELDMENT, V-BOX, RH, FL PL, AUSST
2	1	00146216-A	CATWALK WELDMENT, V-BOX, LH, FL PL, MS
		00146216-B	CATWALK WELDMENT, V-BOX, LH, FL PL, 304SST
		00146216-C	CATWALK WELDMENT, V-BOX, LH, FL PL, AUSST
3	28	05010643	BOLT, .375-16 X 1, G8, HHCS, ZINC
		05016034	BOLT, .375-16 X 1, HHCS, SST
4	28	05020898	NUT, .375-16, GC, TOP LOCK, C&W
		05020891	NUT, .375-16, NYLON LOCK, 316 SST
5	56	05021307	WASHER, .375, FLAT, ZINC
		05021390	WASHER, .375, FLAT, SST

00146218 CATWALK KIT, 18'-19', PAIR

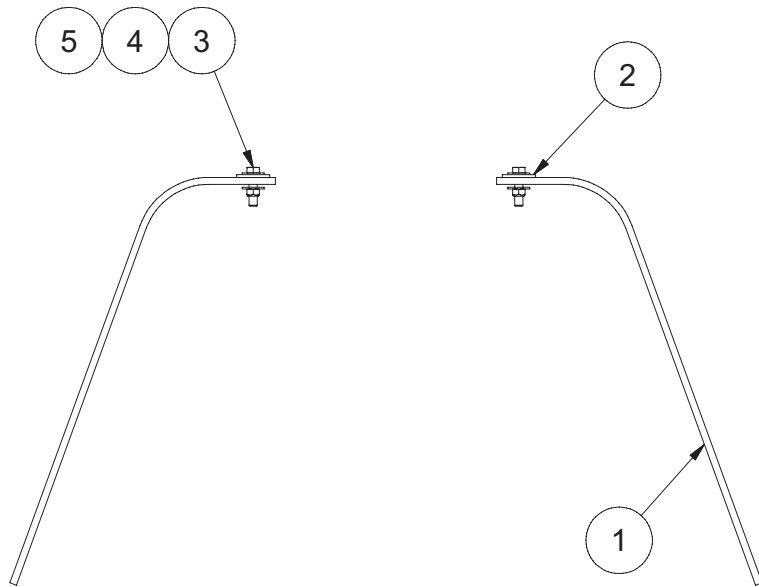
Item	Qty	Part Number	Description
1	1	00146211-A	CATWALK WELDMENT, V-BOX, RH, FL PL, MS
		00146211-B	CATWALK WELDMENT, V-BOX, RH, FL PL, 304SST
		00146211-C	CATWALK WELDMENT, V-BOX, RH, FL PL, AUSST
2	1	00146217-A	CATWALK WELDMENT, V-BOX, LH, FL PL, MS
		00146217-B	CATWALK WELDMENT, V-BOX, LH, FL PL, 304SST
		00146217-C	CATWALK WELDMENT, V-BOX, LH, FL PL, AUSST
3	32	05010643	BOLT, .375-16 X 1, G8, HHCS, ZINC
		05016034	BOLT, .375-16 X 1, HHCS, SST
4	32	05020898	NUT, .375-16, GC, TOP LOCK, C&W
		05020891	NUT, .375-16, NYLON LOCK, 316 SST
5	64	05021307	WASHER, .375, FLAT, ZINC
		05021390	WASHER, .375, FLAT, SST

00097183 SPILL SHIELD KIT, V-BOX, FR OR RR, 10GA

Item	Qty.	Part Number	Description
1	1	00014744-A 00014744-B 00014744-C	SPILL SHIELD WELDMENT, V-BOX FR RR, MS SPILL SHIELD WELDMENT, V-BOX FR RR, 304SST SPILL SHIELD WELDMENT, V-BOX FR RR, AUSST
2	8	05010642 05016050	BOLT, .375-16 X .875, G8, HHCS, ZINC BOLT, .375-16 X .875, HHCS, SST
3	8	05020898 05020891	NUT, .375-16, GC, TOP LOCK, C&W NUT, .375-16, NYLON LOCK, 316 SST
4	16	05021307 05021390	WASHER, .375, FLAT, ZINC WASHER, .375, FLAT, SST

00145916 SPILL SHIELD KIT, V-BOX, FR OR RR W/ LIFT LOOP CUTOUTS

Item	Qty.	Part Number	Description
1	1	00108257-A 00108257-B 00108257-C	SPILL SHIELD WELDMENT, V-BOX FR RR, MS SPILL SHIELD WELDMENT, V-BOX FR RR, 304SST SPILL SHIELD WELDMENT, V-BOX FR RR, AUSST
2	8	05010642 05016050	BOLT, .375-16 X .875, G8, HHCS, ZINC BOLT, .375-16 X .875, HHCS, SST
3	8	05020898 05020891	NUT, .375-16, GC, TOP LOCK, C&W NUT, .375-16, NYLON LOCK, 316 SST
4	16	05021307 05021390	WASHER, .375, FLAT, ZINC WASHER, .375, FLAT, SST



00142340 SPILL SHIELD KIT, MCV, SIDE, 8' X 24" RUBBER

Item	Qty.	Part Number	Description
1	2	00142323	SPILL SHIELD, MCV, SIDE, 8'
2	2	00142331-A 00142331-B	MOUNTING PLATE, SD SPILL SHIELD, MCV, MS MOUNTING PLATE, SD SPILL SHIELD, MCV, SST
3	16	05010645 05016162	BOLT, .375-16 X 1.50, G8, HHCS, ZINC BOLT, .375-16 X 1.50, HHCS, SST
4	32	05021307 05021390	WASHER, .375, FLAT, ZINC WASHER, .375, FLAT, SST
5	16	05020898 05020891	NUT, .375-16, GC, TOP LOCK, C&W NUT, .375-16, NYLON LOCK, 316 SST

00142341 SPILL SHIELD KIT, MCV, SIDE, 9' X 24" RUBBER

Item	Qty.	Part Number	Description
1	2	00142324	SPILL SHIELD, MCV, SIDE, 9'
2	2	00142332-A 00142332-B	MOUNTING PLATE, SD SPILL SHIELD, MCV, MS MOUNTING PLATE, SD SPILL SHIELD, MCV, SST
3	18	05010645 05016162	BOLT, .375-16 X 1.50, G8, HHCS, ZINC BOLT, .375-16 X 1.50, HHCS, SST
4	36	05021307 05021390	WASHER, .375, FLAT, ZINC WASHER, .375, FLAT, SST
5	18	05020898 05020891	NUT, .375-16, GC, TOP LOCK, C&W NUT, .375-16, NYLON LOCK, 316 SST

00132411 SPILL SHIELD KIT, MCV, SIDE, 10' X 24" RUBBER

Item	Qty.	Part Number	Description
1	2	00132410	SPILL SHIELD, MCV, SIDE, 10'
2	2	00132409-A 00132409-B	MOUNTING PLATE, SD SPILL SHIELD, MCV, MS MOUNTING PLATE, SD SPILL SHIELD, MCV, SST
3	20	05010645 05016162	BOLT, .375-16 X 1.50, G8, HHCS, ZINC BOLT, .375-16 X 1.50, HHCS, SST
4	40	05021307 05021390	WASHER, .375, FLAT, ZINC WASHER, .375, FLAT, SST
5	20	05020898 05020891	NUT, .375-16, GC, TOP LOCK, C&W NUT, .375-16, NYLON LOCK, 316 SST

00142342 SPILL SHIELD KIT, MCV, SIDE, 11' X 24" RUBBER

Item	Qty.	Part Number	Description
1	2	00142325	SPILL SHIELD, MCV, SIDE, 11'
2	2	00142333-A 00142333-B	MOUNTING PLATE, SD SPILL SHIELD, MCV, MS MOUNTING PLATE, SD SPILL SHIELD, MCV, SST
3	22	05010645 05016162	BOLT, .375-16 X 1.50, G8, HHCS, ZINC BOLT, .375-16 X 1.50, HHCS, SST
4	44	05021307 05021390	WASHER, .375, FLAT, ZINC WASHER, .375, FLAT, SST
5	22	05020898 05020891	NUT, .375-16, GC, TOP LOCK, C&W NUT, .375-16, NYLON LOCK, 316 SST

00142343 SPILL SHIELD KIT, MCV, SIDE, 12' X 24" RUBBER

Item	Qty.	Part Number	Description
1	2	00142326	SPILL SHIELD, MCV, SIDE, 12'
2	2	00143499-A 00143499-B	MOUNTING PLATE, SD SPILL SHIELD, MCV, MS MOUNTING PLATE, SD SPILL SHIELD, MCV, SST
3	24	05010645 05016162	BOLT, .375-16 X 1.50, G8, HHCS, ZINC BOLT, .375-16 X 1.50, HHCS, SST
4	48	05021307 05021390	WASHER, .375, FLAT, ZINC WASHER, .375, FLAT, SST
5	24	05020898 05020891	NUT, .375-16, GC, TOP LOCK, C&W NUT, .375-16, NYLON LOCK, 316 SST

00142344 SPILL SHIELD KIT, MCV, SIDE, 13' X 24" RUBBER

Item	Qty.	Part Number	Description
1	2	00142327	SPILL SHIELD, MCV, SIDE, 13'
2	2	00142350-A 00142350-B	MOUNTING PLATE, SD SPILL SHIELD, MCV, MS MOUNTING PLATE, SD SPILL SHIELD, MCV, SST
3	26	05010645 05016162	BOLT, .375-16 X 1.50, G8, HHCS, ZINC BOLT, .375-16 X 1.50, HHCS, SST
4	52	05021307 05021390	WASHER, .375, FLAT, ZINC WASHER, .375, FLAT, SST
5	26	05020898 05020891	NUT, .375-16, GC, TOP LOCK, C&W NUT, .375-16, NYLON LOCK, 316 SST

00142345 SPILL SHIELD KIT, MCV, SIDE, 14' X 24" RUBBER

Item	Qty.	Part Number	Description
1	2	00142328	SPILL SHIELD, MCV, SIDE, 14'
2	2	00142351-A 00142351-B	MOUNTING PLATE, SD SPILL SHIELD, MCV, MS MOUNTING PLATE, SD SPILL SHIELD, MCV, SST
3	28	05010645 05016162	BOLT, .375-16 X 1.50, G8, HHCS, ZINC BOLT, .375-16 X 1.50, HHCS, SST
4	56	05021307 05021390	WASHER, .375, FLAT, ZINC WASHER, .375, FLAT, SST
5	28	05020898 05020891	NUT, .375-16, GC, TOP LOCK, C&W NUT, .375-16, NYLON LOCK, 316 SST

00142346 SPILL SHIELD KIT, MCV, SIDE, 15' X 24" RUBBER

Item	Qty.	Part Number	Description
1	2	00142329	SPILL SHIELD, MCV, SIDE, 15'
2	2	00142352-A 00142352-B	MOUNTING PLATE, SD SPILL SHIELD, MCV, MS MOUNTING PLATE, SD SPILL SHIELD, MCV, SST
3	30	05010645 05016162	BOLT, .375-16 X 1.50, G8, HHCS, ZINC BOLT, .375-16 X 1.50, HHCS, SST
4	60	05021307 05021390	WASHER, .375, FLAT, ZINC WASHER, .375, FLAT, SST
5	30	05020898 05020891	NUT, .375-16, GC, TOP LOCK, C&W NUT, .375-16, NYLON LOCK, 316 SST

00142347 SPILL SHIELD KIT, MCV, SIDE, 16' X 24" RUBBER

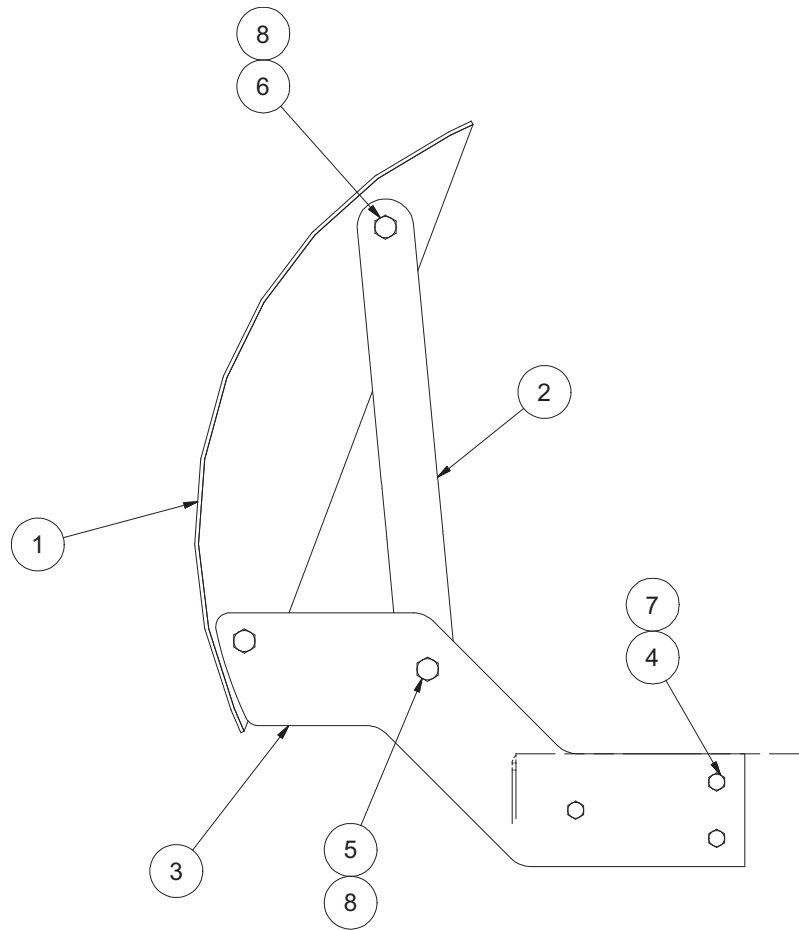
Item	Qty.	Part Number	Description
1	2	00142330	SPILL SHIELD, MCV, SIDE, 16'
2	2	00142353-A 00142353-B	MOUNTING PLATE, SD SPILL SHIELD, MCV, MS MOUNTING PLATE, SD SPILL SHIELD, MCV, SST
3	32	05010645 05016162	BOLT, .375-16 X 1.50, G8, HHCS, ZINC BOLT, .375-16 X 1.50, HHCS, SST
4	64	05021307 05021390	WASHER, .375, FLAT, ZINC WASHER, .375, FLAT, SST
5	32	05020898 05020891	NUT, .375-16, GC, TOP LOCK, C&W NUT, .375-16, NYLON LOCK, 316 SST

00142348 SPILL SHIELD KIT, MCV, SIDE, 17' X 24" RUBBER

Item	Qty.	Part Number	Description
1	2	00142357	SPILL SHIELD, MCV, SIDE, 17'
2	2	00142354-A 00142354-B	MOUNTING PLATE, SD SPILL SHIELD, MCV, MS MOUNTING PLATE, SD SPILL SHIELD, MCV, SST
3	34	05010645 05016162	BOLT, .375-16 X 1.50, G8, HHCS, ZINC BOLT, .375-16 X 1.50, HHCS, SST
4	68	05021307 05021390	WASHER, .375, FLAT, ZINC WASHER, .375, FLAT, SST
5	34	05020898 05020891	NUT, .375-16, GC, TOP LOCK, C&W NUT, .375-16, NYLON LOCK, 316 SST

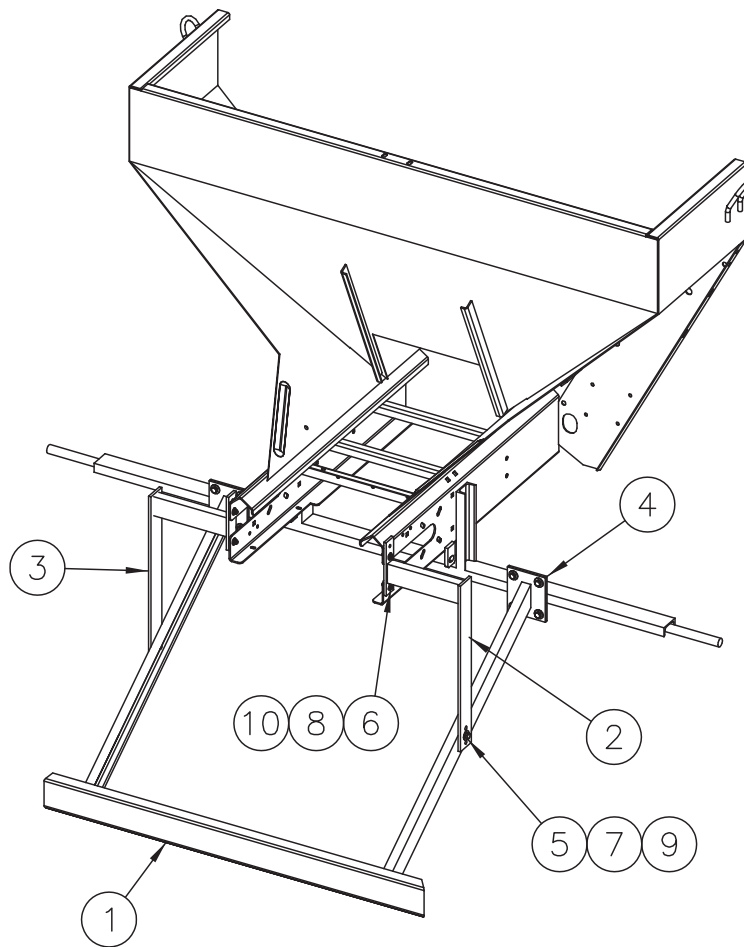
00142349 SPILL SHIELD KIT, MCV, SIDE, 18' X 24" RUBBER

Item	Qty.	Part Number	Description
1	2	00142358	SPILL SHIELD, MCV, SIDE, 18'
2	2	00142355-A 00142355-B	MOUNTING PLATE, SD SPILL SHIELD, MCV, MS MOUNTING PLATE, SD SPILL SHIELD, MCV, SST
3	36	05010645 05016162	BOLT, .375-16 X 1.50, G8, HHCS, ZINC BOLT, .375-16 X 1.50, HHCS, SST
4	72	05021307 05021390	WASHER, .375, FLAT, ZINC WASHER, .375, FLAT, SST
5	36	05020898 05020891	NUT, .375-16, GC, TOP LOCK, C&W NUT, .375-16, NYLON LOCK, 316 SST



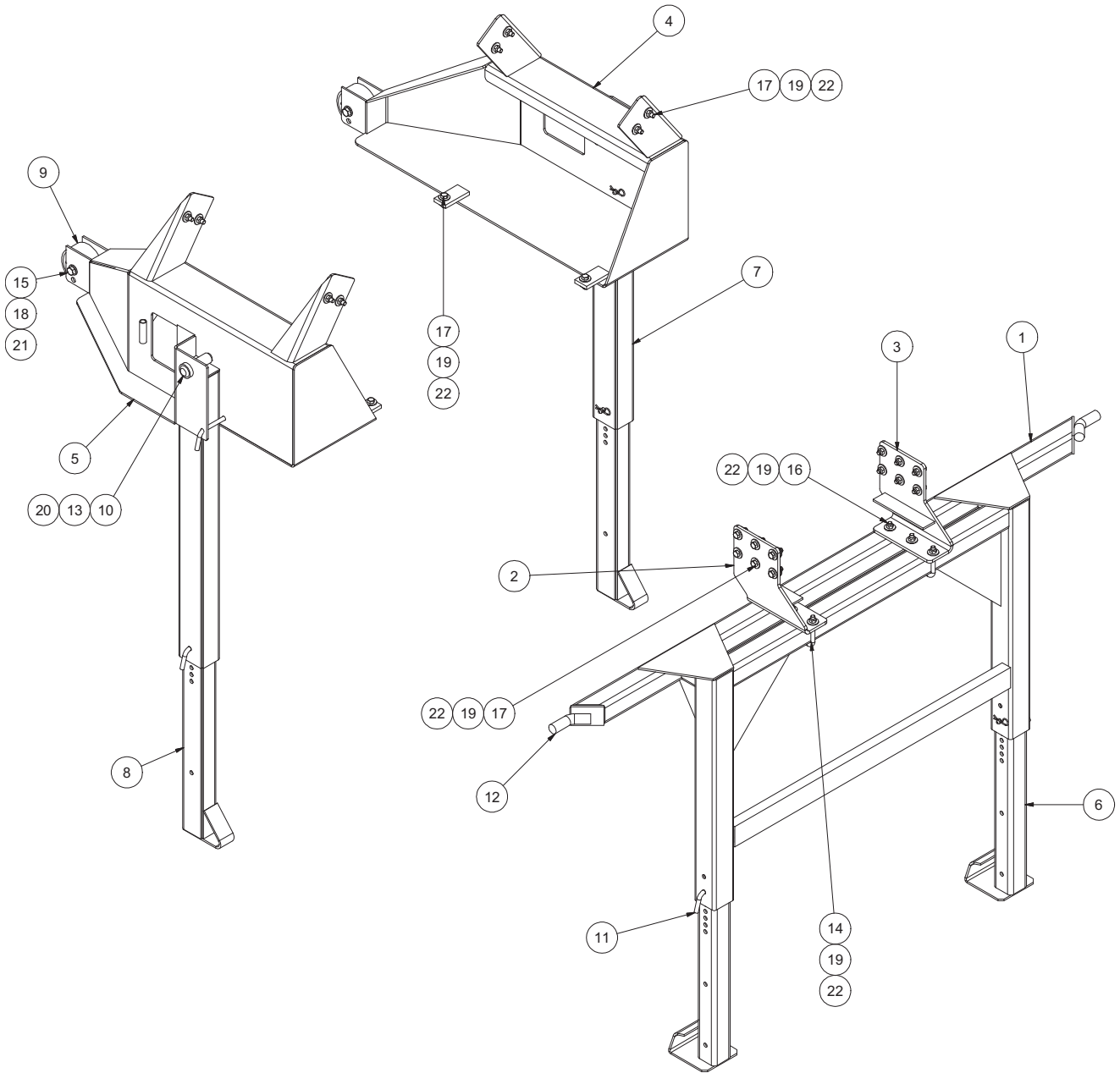
00017184 AIR FOIL KIT, 84 WIDE, 10GA, BOLT-ON

Item	Qty.	Part Number	Description
1	1	00034157-A 00034157-B 00034157-C	AIR FOIL WELDMENT, 84W, RR, MS AIR FOIL WELDMENT, 84W, RR, 304SST AIR FOIL WELDMENT, 84W, RR, AUSST
2	2	00032766-A 00032766-B	SUPPORT AIR FOIL, MS SUPPORT AIR FOIL, SST
3	2	00085167-A 00085167-B	RAIL, SIDE, AIR FOIL, MS RAIL, SIDE, AIR FOIL, SST
4	6	05010643 05016034	BOLT, .375-16 X 1, G8, HHCS, ZINC BOLT, .375-16 X 1, HHCS, SST
5	2	05010691 05016096	BOLT, .5-13 X 1.50, G8, HHCS, ZINC BOLT, .5-13 X 1.50, HHCS, SST
6	4	05010690 05016045	BOLT, .5-13 X 1.25, G8, HHCS, ZINC BOLT, .5-13 X 1.25, HHCS, SST
7	6	05020898 05020891	NUT, .375-16, GC, TOP LOCK, C&W NUT, .375-16, NYLON LOCK, 316 SST
8	6	05020847 05020908	NUT, .5-13, GC, TOP LOCK, C&W NUT, .5-13, NYLON LOCK, 316 SST



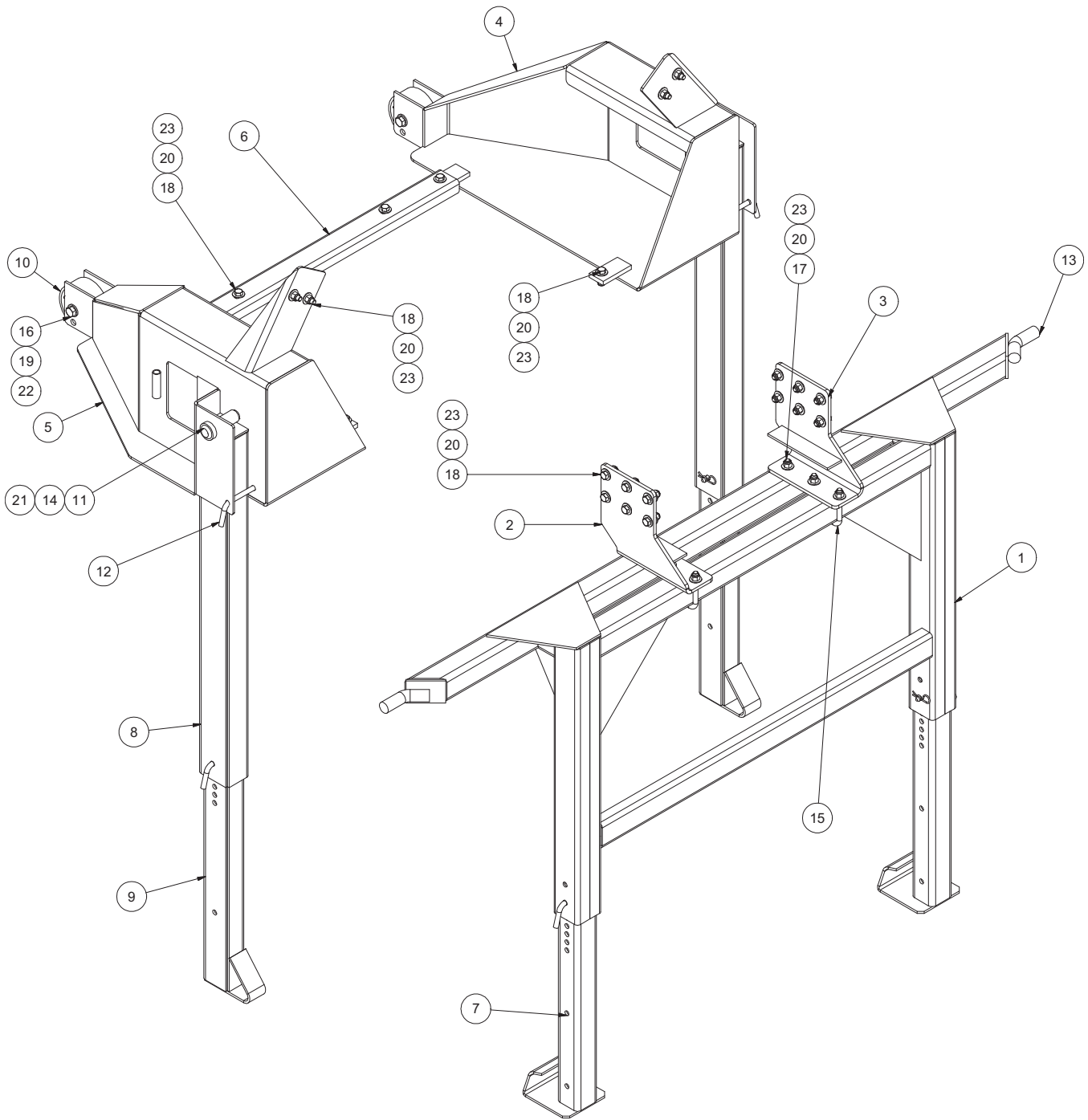
00050798 BUMPER KIT, SLIP-IN

Item	Qty.	Part Number	Description
1	1	00050795-A 00050795-B	BUMPER WELDMENT, REAR, MS BUMPER WELDMENT, REAR, SST
2	1	00050796-A 00050796-B	HANGER WELDMENT, BUMPER, RH, MS HANGER WELDMENT, BUMPER, RH, SST
3	1	00050797-A 00050797-B	HANGER WELDMENT, BUMMER, LH, MS HANGER WELDMENT, BUMMER, LH, SST
4	2	00034183-A 00034183-B	MOUNTING PLATE, BUMPER, MS MOUNTING PLATE, BUMPER, SST
5	10	05010691 05016096	BOLT, .5-13 X 1.50, G8, HHCS, ZINC BOLT, .5-13 X 1.50, HHCS, SST
6	4	05010644 05016079	BOLT, .375-16 X 1.25, G8, HHCS, ZINC BOLT, .375-16 X 1.25, HHCS, SST
7	10	05020847 05020908	NUT, .5-13, GC, TOP LOCK, C&W NUT, .5-13, NYLON LOCK, 316 SST
8	4	05020898 05020891	NUT, .375-16, GC, TOP LOCK, C&W NUT, .375-16, NYLON LOCK, 316 SST
9	20	05021309 05021391	WASHER, .5, FLAT, ZINC WASHER, .5, FLAT, SS
10	8	05021307 05021390	WASHER, .375, FLAT, ZINC WASHER, .5, FLAT, SS



00145943 LEG KIT, MCV, SELF LOADING, EVEN LENGTH BODY

ITEM	QTY	PART NUMBER	DESCRIPTION
1	1	00099489-A	LEG WLDMT,V-BOX,RR,UPR,SLFLDG
1	1	00099489-B	LEG WLDMT,V-BOX,RR,UPR,SLFLDG
1	1	00099489-C	LEG WLDMT,V-BOX,RR UPR,SLFLDG
2	1	00137713-A	MTG PL WLDMT,RR LEG,MCV,SLFLDG
2	1	00137713-B	MTG PL WLDMT,RR LEG,MCV,SLFLDG
2	1	00137713-C	MTG PL WLDMT,RR LEG,MCV,SLFLDG
3	1	00137714-A	MTG PL WLDMT,RR LEG,MCV,SLFLDG
3	1	00137714-B	MTG PL WLDMT,RR LEG,MCV,SLFLDG
3	1	00137714-C	MTG PL WLDMT,RR LEG,MCV,SLFLDG
4	1	00145942-A	MOUNT WLDMT,LEG,MCV,SLF LDG
4	1	00145942-B	MOUNT WLDMT,LEG,MCV,SLF LDG
4	1	00145942-C	MOUNT WLDMT,LEG,MCV,SLF LDG
5	1	00145941-A	MOUNT WLDMT,LEG,MCV,SLF LDG
5	1	00145941-B	MOUNT WLDMT,LEG,MCV,SLF LDG
5	1	00145941-C	MOUNT WLDMT,LEG,MCV,SLF LDG
6	2	00085104-A	LEG WLDMT,ANTI-ICE/V-BOX,RR
6	2	00085104-B	LEG WLDMT,ANTI-ICE/V-BOX,RR
7	2	00085100-A	LEG WLDMT,V-BOX,FR UPR,SLFLDG
7	2	00085100-B	LEG WLDMT,V-BOX,FR UPR,SLFLDG
7	2	00085100-C	LEG WLDMT,V-BOX,FR UPR,SLFLDG
8	2	00085102-A	LEG WLDMT,V-BOX,FR LWR,SLFLDG
8	2	00085102-B	LEG WLDMT,V-BOX,FR LWR,SLFLDG
8	2	00085102-C	LEG WLDMT,V-BOX,FR LWR,SLFLDG
9	2	05050451	WHEEL,.63BOREx1.88x5"D,CAST
10	2	05022077	PIN 1.00 x 4.50 ZC
11	6	05022136	PIN .50 x 4.5 4" GRIP BENT
12	2	00028395-A	PIN,TAILGATE LATCH - HRR
12	2	00028395-B	PIN,TAILGATE LATCH - SSR
13	2	05022002	PIN #8 HAIR ZC
14	2	05017039	U-BOLT,SQ,.500-13,3.063x4.750
15	2	05010747	BOLT .625-11 x 4.00 G8 HHCS ZC
16	2	05010702	BOLT .500-13 x 4.50 G8 HHCS ZC
17	24	05010691	BOLT .500-13 x 1.50 G8 HHCS ZC
17	24	05016096	BOLT .500-13 x 1.50 HHCS SST
18	2	05020837	NUT .625-11 GC TOPLOCK C&W
19	30	05020847	NUT .500-13 GC TOPLOCK C&W
19	30	05020908	NUT .500-13 NYLON LOCK 316 SST
20	2	05021314	WASHER 1.00 FLAT ZC
21	4	05021017	WASHER .625 FLAT MIL-CARB SAE
22	56	05021309	WASHER .500 FLAT ZC
22	56	05021391	WASHER .500 FLAT SST



00145932 LEG KIT, MCV, SELF LOADING, EVEN LENGTH BODY

ITEM	QTY	PART NUMBER	DESCRIPTION
1	1	00099489-A	LEG WLDMT,V-BOX,RR,UPR,SLFLDG
1	1	00099489-B	LEG WLDMT,V-BOX,RR,UPR,SLFLDG
1	1	00099489-C	LEG WLDMT,V-BOX,RR,UPR,SLFLDG
2	1	00137713-A	MTG PL WLDMT,RR LEG,MCV,SLFLDG
2	1	00137713-B	MTG PL WLDMT,RR LEG,MCV,SLFLDG
2	1	00137713-C	MTG PL WLDMT,RR LEG,MCV,SLFLDG
3	1	00137714-A	MTG PL WLDMT,RR LEG,MCV,SLFLDG
3	1	00137714-B	MTG PL WLDMT,RR LEG,MCV,SLFLDG
3	1	00137714-C	MTG PL WLDMT,RR LEG,MCV,SLFLDG
4	1	00145913-A	MOUNT WLDMT,LEG,MCV,SELF LDG
4	1	00145913-B	MOUNT WLDMT,LEG,MCV,SELF LDG
4	1	00145913-C	MOUNT WLDMT,LEG,MCV,SELF LDG
5	1	00145914-A	MOUNT WLDMT,LEG,MCV,SELF LDG
5	1	00145914-B	MOUNT WLDMT,LEG,MCV,SELF LDG
5	1	00145914-C	MOUNT WLDMT,LEG,MCV,SELF LDG
6	1	00145933	CROSS CHAN,FR LEG,MCV,SLFLDG
6	1	00145936-A	CROSS CHAN,FR LEG,MCV,SLFLDG
6	1	00145936-B	CROSS CHAN,FR LEG,MCV,SLFLDG
7	2	00085104-A	LEG WLDMT,ANTI-ICE/V-BOX,RR
7	2	00085104-B	LEG WLDMT,ANTI-ICE/V-BOX,RR
8	2	00085100-A	LEG WLDMT,V-BOX,FR UPR,SLFLDG
8	2	00085100-B	LEG WLDMT,V-BOX,FR UPR,SLFLDG
8	2	00085100-C	LEG WLDMT,V-BOX,FR UPR,SLFLDG
9	2	00085102-A	LEG WLDMT,V-BOX,FR LWR,SLFLDG
9	2	00085102-B	LEG WLDMT,V-BOX,FR LWR,SLFLDG
9	2	00085102-C	LEG WLDMT,V-BOX,FR LWR,SLFLDG
10	2	05050451	WHEEL,.63BOREx1.88x5"D,CAST
11	2	05022077	PIN 1.00 x 4.50 ZC
12	6	05022136	PIN .50 x 4.5 4" GRIP BENT
12	6	05022136	PIN .50 x 4.5 4" GRIP BENT
13	2	00028395-A	PIN,TAILGATE LATCH - HRR
13	2	00028395-B	PIN,TAILGATE LATCH - SSR
14	2	05022002	PIN #8 HAIR ZC
15	2	05017039	U-BOLT,SQ,.500-13,3.063x4.750
16	2	05010747	BOLT .625-11 x 4.00 G8 HHCS ZC
17	2	05010702	BOLT .500-13 x 4.50 G8 HHCS ZC
18	22	05010691	BOLT .500-13 x 1.50 G8 HHCS ZC
18	22	05016096	BOLT .500-13 x 1.50 HHCS SST
19	2	05020837	NUT .625-11 GC TOPLOCK C&W
20	28	05020847	NUT .500-13 GC TOPLOCK C&W
20	28	05020908	NUT .500-13 NYLON LOCK 316 SST
21	2	05021314	WASHER 1.00 FLAT ZC
22	4	05021017	WASHER .625 FLAT MIL-CARB SAE
23	52	05021309	WASHER .500 FLAT ZC
23	52	05021391	WASHER .500 FLAT SST

00012819 SLIP-IN MOUNTING KIT

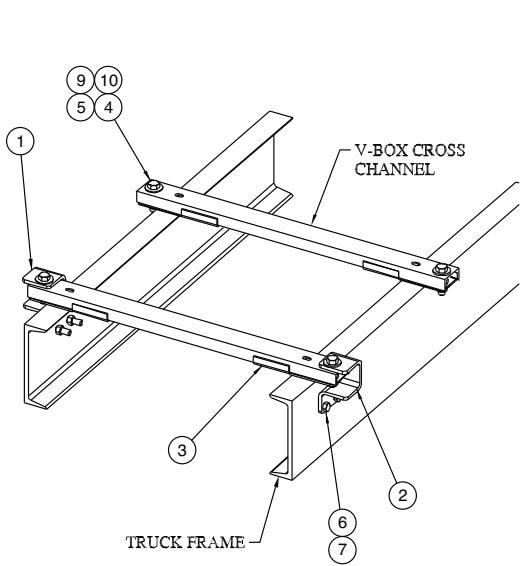
Item	Qty.	Part Number	Description
1	4	00021053	TIE DOWN BRACKET, SLIP IN
2	4	05016042	BOLT, .625-11 X 24 L SHAPE, ZINC
3	8	05010695	BOLT, .5-13 X 2.50, G8, HHCS, ZINC
4	8	05020847	NUT, .5-13, TOP LOCK, C&W
5	4	05022007	PIN, .250 X 2.50, COTTER
6	12	05021311	WASHER, .625, FLAT, ZINC
7	8	05020270	NUT, .625-11, G8, HEX, ZINC
8	1	05050775	CARDBOARD BOX

00037682 CHAIN BINDER KIT

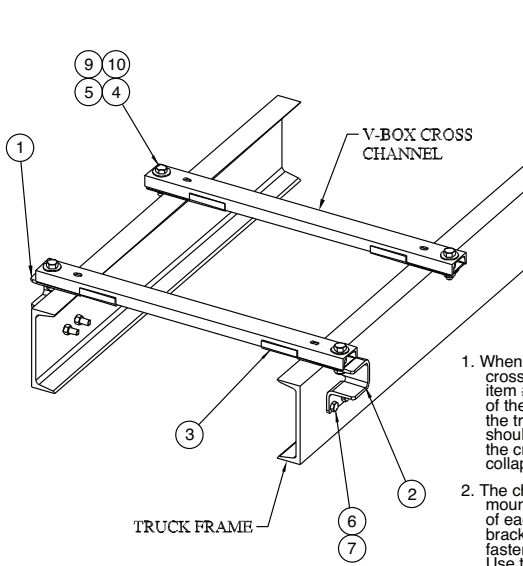
Item	Qty.	Part Number	Description
1	2	00026166-A	LOOP LIFT, BENT, MS
2	1	05050307	CARDBOARD BOX
3	2	05051377	LOAD BINDER, .375 5400LB
4	1	00037683	CHAIN, .375 X 96

00063492 RATCHET STRAP, 3.0

Item	Qty.	Part Number	Description
1	4	00063499-A 00063499-B	MOUNTING PLATE WELDMENT, RATCHET STRAP, MS MOUNTING PLATE WELDMENT, RATCHET STRAP, SST
2	4	00063498-D 00063498-E	MOUNTING PLATE, BRACKET, RATCHET STRAP, MS MOUNTING PLATE, BRACKET, RATCHET STRAP, SST
3	4	05050218	RATCHET ASSEMBLY FOR 3" STRAP
4	4	05050293	STRAP, 3" X 7' W/ FLAT HOOK
5	16	05010690 05016045	BOLT, .5-13 X 1.250, G8, HHCS, ZINC BOLT, .5-13 X 1.250 HHCS, SST
6	12	05010643 05016034	BOLT, .375-16 X 1, G8, HHCS, ZINC BOLT, .375-16 X 1, HHCS, SST
7	16	05020847 05020908	NUT, .5-13, TOP LOCK, C&W GR C NUT, .5-13, NYLON LOCK, SST
8	12	05020898 05020891	NUT, .375-16, TOP LOCK, C&W GR C NUT, .375-16, NYLON LOCK, SST
9	32	05021309 05021396	WASHER, .5, FLAT, ZINC WASHER, .5, FLAT, SST
10	12	05021307 05021390	WASHER, .375, FLAT, ZINC WASHER, .375, FLAT, SST
11	4	00045283-A 00045283-B	BRACKET, TIE DOWN MO, MS BRACKET, TIE DOWN MO, SST



INSTALLATION OPTION - A

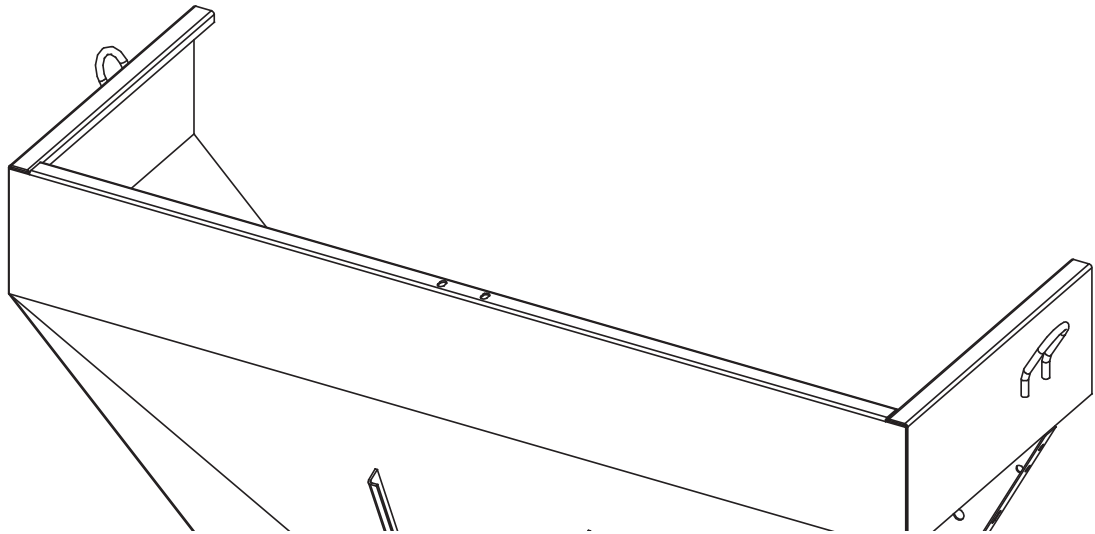


INSTALLATION OPTION - B

1. When installing a chassis mount V-Box all cross channels should be supported using item # 3. This will keep the sharp edges of the cross channels from wearing into the truck frame rails. All cross channels should also use item # 9. This will keep the cross or mounting channel from collapsing during assembly.
2. The chassis mounting kit includes one mounting channel (item # 3) for each end of each cross channel. Four mounting brackets (item #1 & #2) are included to fasten the V-Box to the truck frame rails. Use two mounting brackets in the front and two in the rear.
3. Use bolts to fasten all components together. Welding does not allow enough flex, this will result in stress cracking and failure of joined components.
4. Mounting kit may be installed with the mounting brackets on top of the v-box cross channels as shown in OPTION - A or under the cross channels as shown in OPTION -B, depending on the installation requirements.

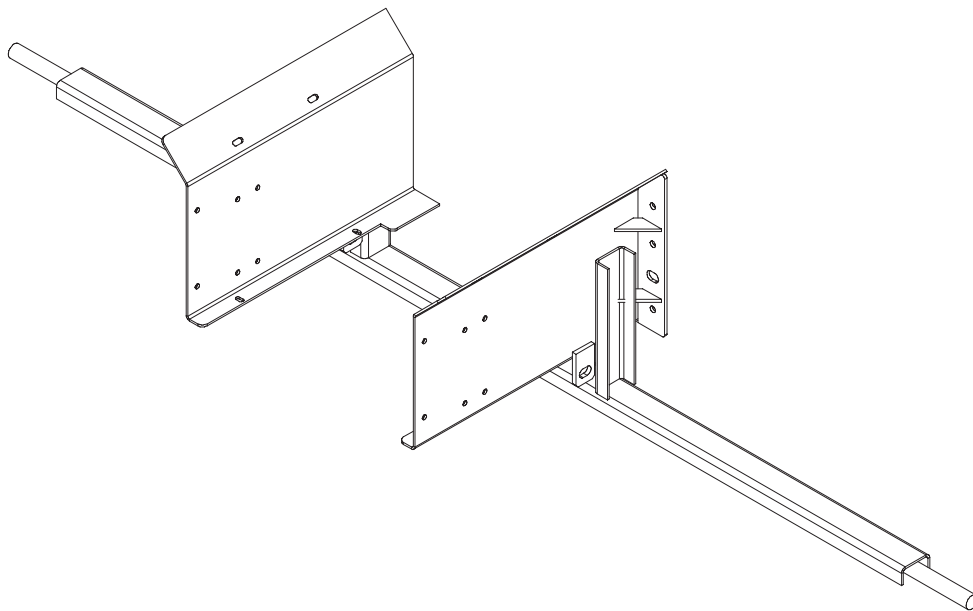
00022402 CHASSIS MOUNTING KIT, 8' - 11'
00024600 CHASSIS MOUNTING KIT, 12'-14'
00105781 CHASSIS MOUNTING KIT, 15'-17'

Item	Qty 8'-11'	Qty 12'-14'	Qty 15'-17'	Part Number	Description
1	6	8	8	00105737-A 00105737-B	Bracket, Chassis Mount, RH, MS Bracket, Chassis Mount, RH, 304 SST
2	10	12	16	00022401-A 00022401-B	Shim, Spacer 10.0, Chassis Mounting, MS Shim, Spacer 10.0, Chassis Mounting, 304 SST
3	10	12	16	00072042-C 00072042-B	Pipe, 1.0 SCHED 40 x 1.250, MS Painted
4	10	12	16	05010768	Bolt, .750-10 x 3, G8, HHCS, Zinc
5	12	12	16	05010741	Bolt, .625-11 x 2.50, G8, HHCS, Zinc
6	10	12	16	05020849	Nut, .750-10, GC, Top Lock, C&W
7	12	12	16	05020837	Nut, .625-11, GC, Top Lock, C&W
8	20	24	32	05021312	Washer, .750, Flat, Zinc
9	24	24	32	05021311	Washer, .625, Flat, Zinc



00012389 LATCH KIT, TGT, 1.25 DIA

Item	Qty.	Part Number	Description
1	1	00027145 00015929	CHAN, 3 X 4.1# X 90, MS CHAN, 3 X 4.75# X 90, 304
2	2	00010407 00015930	CRR 1.250 X 12 SSR 1.25 X 12
3	2	00059844 00015928	CHAN 3 X 4.1# X 12, MS CHAN 3 X 4.75# X 12, 304



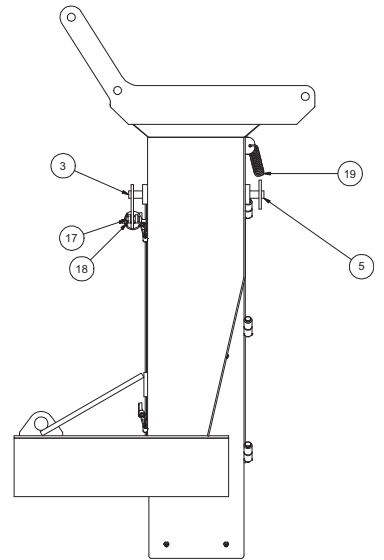
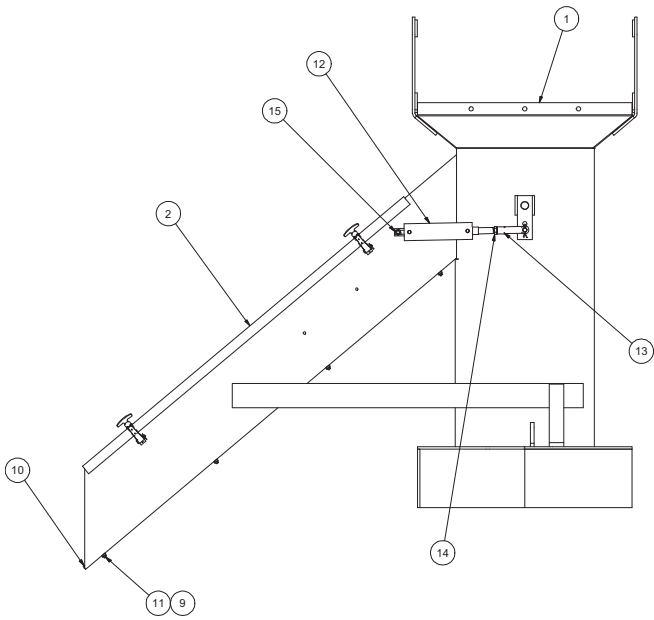
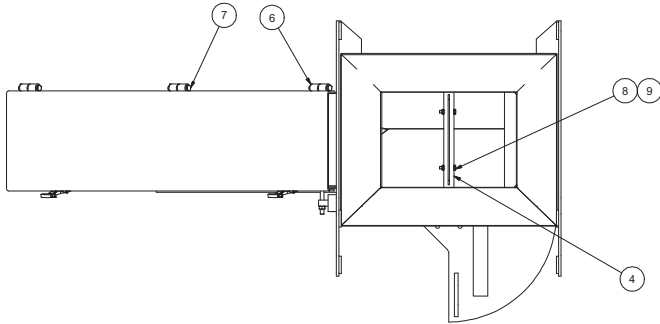
00132413 LATCH KIT, TGT, 1.25 DIA

Item	Qty.	Part Number	Description
1	1	00132412	FORMED CHAN, .188 X 3.0 X 90, 304
2	2	00089649	FORMED CHAN, .188 X 3.0 X 12, 304
3	2	00015930	RND, SS, 1.250 DIA X 12

LEFT INTENTIONALLY BLANK

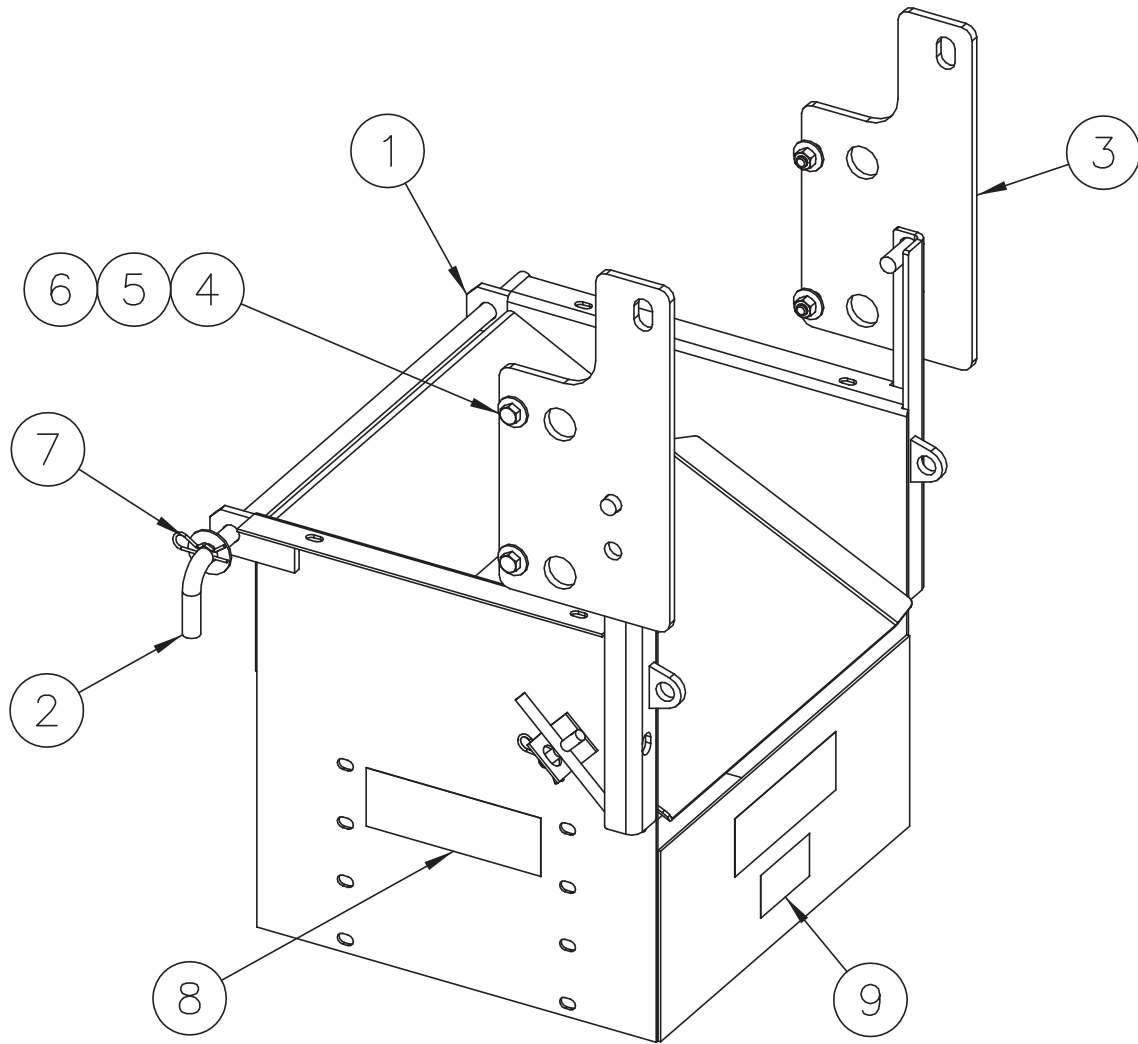
SPINNER ASSEMBLIES

<i>Top Level #</i>	<i>Chute Assembly</i>	<i>Lower Spinner Assembly</i>
Spinners for Auger Bodies		
00133477-A\B\C\D\E\F <i>Spinner Assembly, Tip-Up for Top Mnt Mtr</i>	00132421-A\B\C <i>See Page 90</i>	00028000-A\B\C\F\J\R\S <i>See Page 91</i>
00132422-A\B\C\D <i>Spinner Assembly, Tip-Up Bottom Mnt Mtr</i>	00132421-A\B <i>See Page 90</i>	00132430-A\B\C\D <i>See Page 93</i>
00100998-A\B\C <i>Spinner Assembly, 1/2Y, Tip-Up P Lined w/cyl</i>	00139325-A\B\C <i>See Page 88</i>	
00012815-A/B/D/F/J/M/N <i>Spinner Assembly, STD, Bolt-On</i>	00028044-A/B/D/F <i>See Page 97</i>	00028000-A\B\C\F\J\R\S <i>See Page 91</i>
00078898-A/B/D/C <i>Spinner Assembly, Bolt-On, Bottom Mnt Mtr</i>	00028044-A/B <i>See Page 97</i>	00071794-A/B/E/F <i>See Page 98</i>
00100666-A/B/C/D/E/F <i>Spinner Assembly, Y-Chute, 2 Drops, w/Cyls</i>		
00097341-A/B/C/D <i>Spinner Assembly, Swn Style, Bolt-on</i>	00028044-A/B <i>See Page 97</i>	00097343-A/B/C/D <i>See Page 102</i>
Spinner Chute Enclosure		
00080876-A\B\C\D\E\F\G <i>Enclosure Kit, Spinner Chute, 10ga</i>	<i>See Page 169</i>	
Spinner Extension Kits		
00019330-A\B <i>Extension Kit, Spinner, 12", 10ga, TipUp</i>	<i>See Page 106</i>	
00012876-A\B <i>Extension Kit, Spinner, 12" 10ga, Bolt-On</i>	<i>See Page 106</i>	



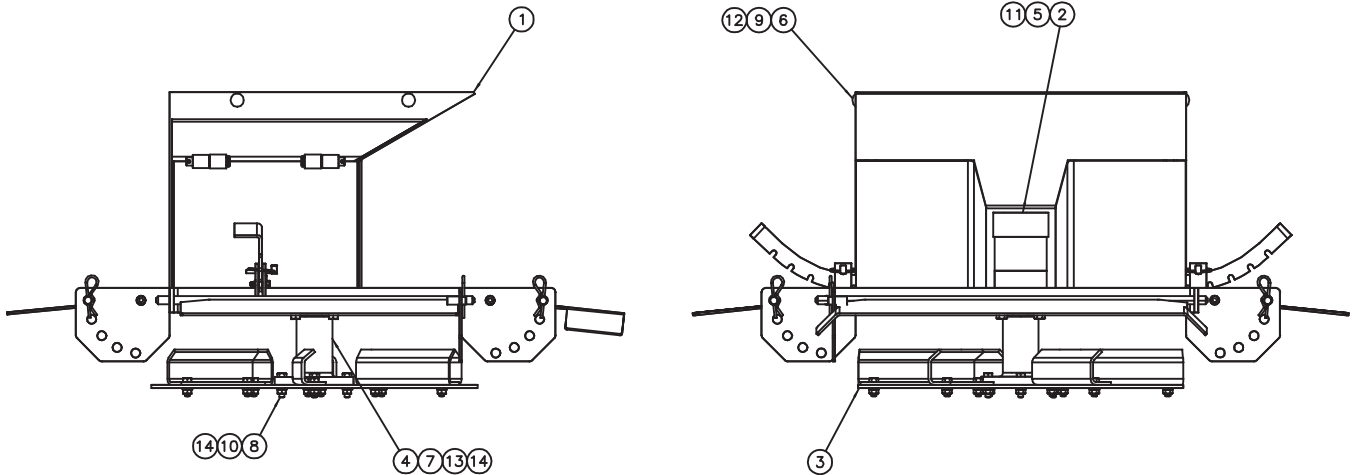
00139325 CHUTE ASSEMBLY, AUG, 1/2 Y TIP UP W/ CYL, POLY LINED

ITEM	QTY	PART NUMBER	DESCRIPTION
1	1	00139323-A	CHUTE WLDMT,SPNR,MCV AUG,1/2-Y
1	1	00139323-B	CHUTE WLDMT,SPNR,MCV AUG,1/2-Y
1	1	00139323-C	CHUTE WLDMT,SPNR,MCV AUG,1/2-Y
2	1	00071204-A	LID WLDMT,SIDE CHUTE,1/2-Y,MS
2	1	00071204-B	LID WLDMT,SIDE CHUTE,1/2-Y,304
2	1	00071204-C	LID WLDMT,SIDE CHUTE,1/2-Y,AUS
3	1	00024166-A	SHAFT WLDMT,REAR,MV/MSV,DFTR
3	1	00024166-B	SHAFT WLDMT,REAR,MV/MSV,DFTR
4	1	00024161-A	SPINNER DEFLECTOR WELDMENT
4	1	00024161-B	SPINNER DEFLECTOR WELDMENT
4	1	00024161-C	SPINNER DEFLECTOR WELDMENT
5	1	00024165-A	SHAFT WLDMT,FRONT,MV/MSV,DFTR
5	1	00024165-B	SHAFT WLDMT,FRONT,MV/MSV,DFTR
6	3	05022072	PIN .156 x .875 ROLL ZC
7	3	05022055	PIN .500 x 2.500 CLEVIS ZC
7	3	05022069	PIN .500 x 2.500 CLEVIS,SS
8	2	05010595	BOLT .250-20 x 1.50 G8 HHCS ZC
9	10	05020899	NUT .250-20 GC TOPLOCK C&W
10	1	00088858	LINER,MV/MSV,SPINNER,1/2
11	8	05014657	BOLT .250-20 x .750 FSHCS ZC
12	1	05002500	CYLINDER,1.5x4,DA,AIR,SS BODY&
13	1	05050290	CLEVIS,ADJ.YOKE END,.4375-20N
14	1	05021075	NUT .438-20 G8 HEX JAM ZC
15	1	05020898	NUT .375-16 GC TOPLOCK C&W
15	1	05020891	NUT .375-16 NYLON LOCK 316 SST
16	1	00091758	CANISTER KIT,MANUAL STORAGE
17	1	05022197	PIN .438 x 1.250 CLEVIS ZC
18	1	05022021	PIN .125 x 1.000 COTTER
19	2	05035056	SPRING,EXT,1"OD,6"OAL



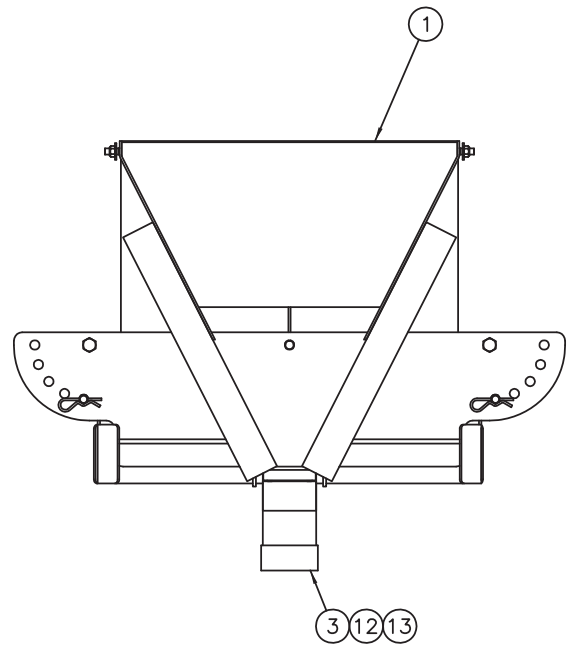
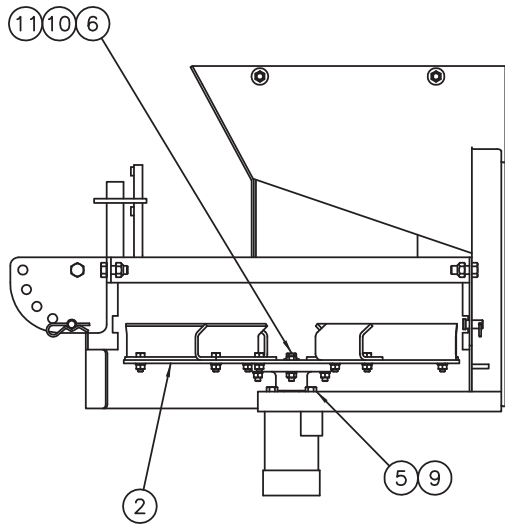
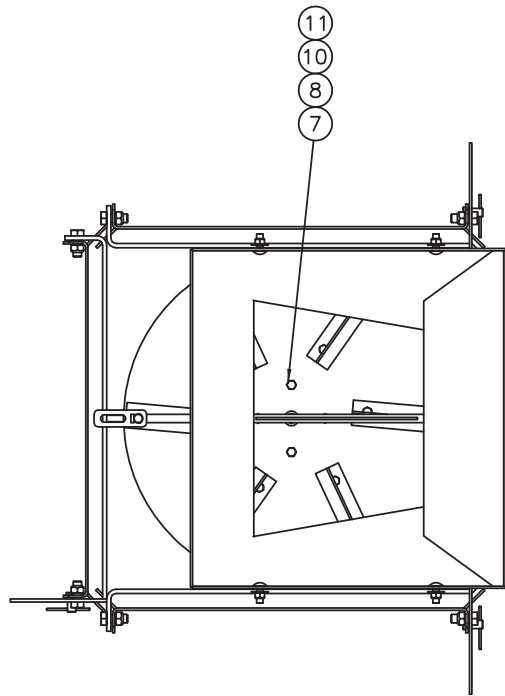
00132421 CHUTE ASSEMBLY, AUG MCV, TIP UP

Item	Qty	Part Number	Description
1	1	00132420-A 00132420-B 000132420-C	CHUTE WELDMENT, AUG, MCV, TIP-UP, MS CHUTE WELDMENT, AUG, MCV, TIP-UP, 304SST CHUTE WELDMENT, AUG, MCV, TIP-UP, AUSST
2	1	00022880	LATCH ROD ASSEMBLY, MS, TIP-UP
3	2	00135063-A 00135063-B	HINGE PLATE, SPINNER, AUG, TIP-UP, MS HINGE PLATE, SPINNER, AUG, TIP-UP, 304SST
4	4	05010692 05016204	BOLT, .5-13 X 1.75, G8, HHCS, ZINC BOLT, .5-13 X 1.75, HHCS, SST
5	4	05020847 05020908	NUT, .5-13, GC, TOP LOCK, C&W NUT, .5-13, NYLON LOCK, 316 SST
6	8	05021309 05021391	WASHER, .5, FLAT, ZINC WASHER, .5, FLAT, SST
7	2	05022035	PIN, HAIR #11, ZINC
8	3	05051402	DECAL, 8.25" X 2.75" WARNING
9	1	05052310	DECAL, 4 X 2", DANGER, KEEP GUARDS IN



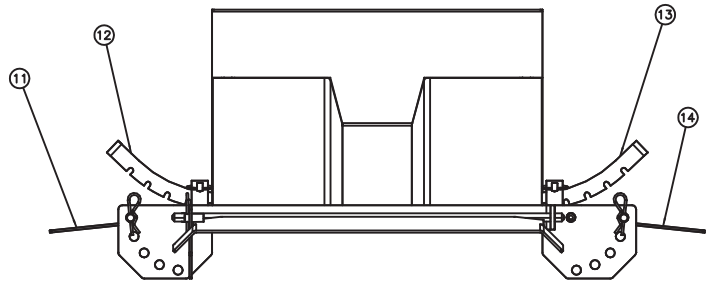
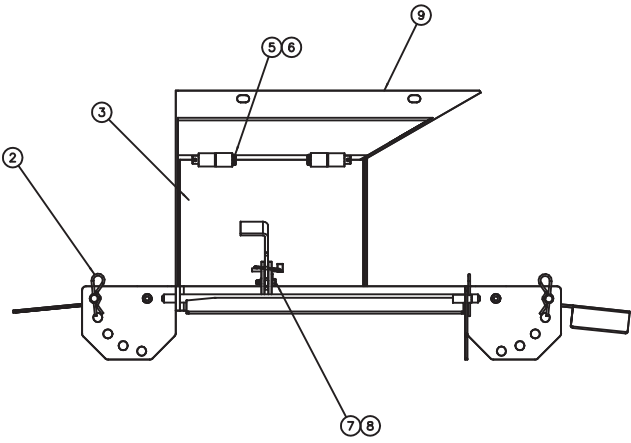
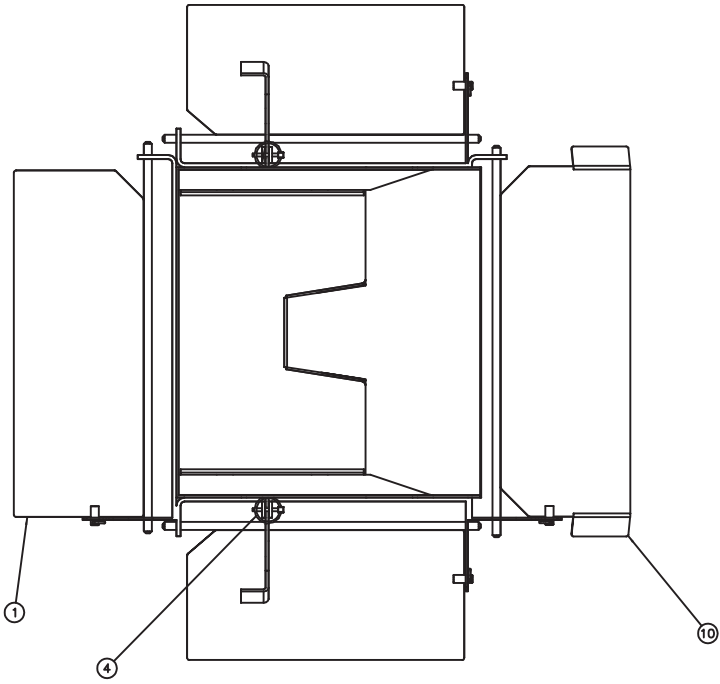
00028000 SPINNER ASSEMBLY, LOWER

Item	Qty.	Part Number	Description
1	1	00028001-A	CHUTE ASSY,SPNR,MV/MSV,LWR,MS,10GA <i>See Page 95</i>
1	1	00028001-B	CHUTE ASSY,SPNR,MV/MSV,LWR,304,10GA
1	1	00028001-F	CHUTE ASSY,SPNR,MV/MSV,LWR,AUSST,10GA
2	1	05006673	MOTOR,HYD,WHITE 3.2CID,4 BLT,1" SHAFT <i>See Page 110</i>
3	1	00099404-A	SPINNER DISC ASSY,20.0,CCW,MS <i>See Page 107</i>
3	1	00099404-B	SPINNER DISC ASSY,20.0,CCW,304
3	1	00099404-E	SPINNER DISC ASSY,20.0,CCW,AUSST
3	1	05050794	DISC,SPINNER,20"CCW,RED,POLY <i>See Page 108</i>
4	1	05050054	HUB,SPINNER ASSY,EXT SFT,W/SET SCREWS
5	4	05010642	BOLT .375-16x.875 G8 HHCS ZC
5	4	05016050	BOLT .375-16x.875 HHCS SST
6	4	05013986	BOLT .375-16x1.00 G5 CRG ZC
6	4	05016003	BOLT .375-16x1.00 CRG SST
7	1	05010630	BOLT .313-18x4.00 G8 HHCS ZC
7	1	05016150	BOLT .313-18x4.00 HHCS SST
8	4	05010619	BOLT .313-18x1.25 G8 HHCS ZC
8	4	05010620	BOLT .313-18x1.50 G8 HHCS ZC
8	4	05016139	BOLT .313-18x1.25 HHCS SST
8	4	05016140	BOLT .313-18x1.50 HHCS SST
9	4	05020891	NUT .375-16 NYLON LOCK 316 SST
9	4	05020898	NUT .375-16 GC TOPLOCK C&W
10	4	05020265	NUT .313-18 G8 HEX ZC
10	4	05020855	NUT .313-18 HEX SST
11	4	05021365	WASHER .375 LOCK ZC
11	4	05021392	WASHER .375 LOCK SST
12	4	05021307	WASHER .375 FLAT ZC
12	4	05021390	WASHER .375 FLAT SST
13	5	05021306	WASHER .313 FLAT ZC
13	5	05021404	WASHER .313 FLAT SST
14	5	05021364	WASHER .313 LOCK ZC
14	5	05021407	WASHER .313 LOCK SST



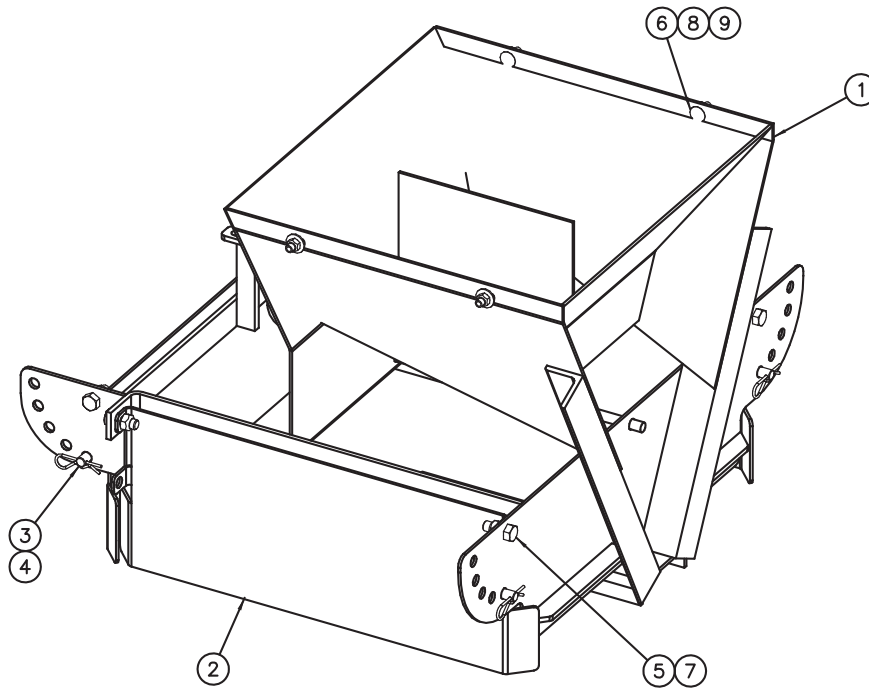
00132430 SPINNER ASSEMBLY, LOWER

Item	Qty	Part Number	Description
1	1	00132429-A 00132429-B	CHUTE ASSEMBLY, LOWER, MCV, SWN, MS CHUTE ASSEMBLY, LOWER, MCV, SWN, SST <i>See Page 96</i>
2	1	00099404-A 00099404-B 05050794	DISC ASSEMBLY, SPINNER, 20, CCW, .188, MS <i>See Page 107</i> DISC ASSEMBLY, SPINNER, 20, CCW, .188, SST <i>See Page 108</i> DISC, SPINNER, 20 CCW, POLY, RED
3	1	05006673	MOTOR, HYD, WHITE, 3.2CI, 4B, 1" EXT <i>See Page 110</i>
4	1	05051380	HUB, SPINNER ASSEMBLY, STD, SHORT
5	4	05010645 05016162	BOLT, .375-16 X 1.50, G8, HHCS, ZINC BOLT, .375-16 X 1.50, G8, HHCS, SST
6	1	05010618	BOLT, .313-18 X 1, G8, HHCS, ZINC
7	4	05010619 05010620 05016139	BOLT, .313-18 X 1.25, G8, HHCS, ZINC BOLT, .313-18 X 1.50, G8, HHCS, ZINC BOLT, .313-18 X 1.25, HHCS, SST
8	4	05020265 05020855	NUT, .313-18, G8, HEX, ZINC NUT, .313-18, HEX, SST
9	4	05021365 05021392	WASHER, .375, LOCK, ZINC WASHER, .375, LOCK, SST
10	5	05021306	WASHER, .313, FLAT, ZINC
11	5	05021364	WASHER, .313, LOCK, ZINC
12	1	00122073	SEAL SAVER, MOTOR, SPINNER
13	1	05050288	GREASE ZERK, .250-28 STRAIGHT



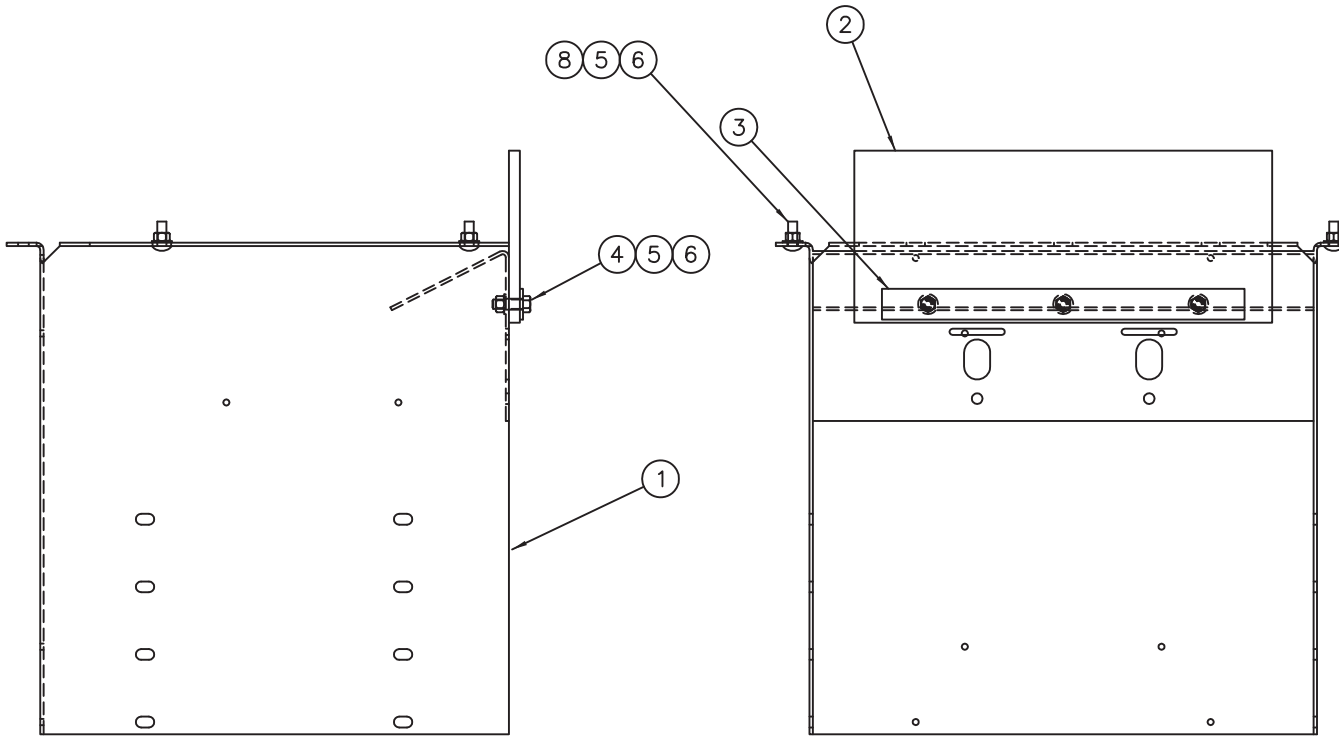
00028001 CHUTE ASSEMBLY, SPINNER, LOWER, 20.0L X 20W

Item	Qty.	Part Number	Description
1	1	00062116-A 00062116-B 00062116-G	DEFLECTOR WELDMENT, SPINNER, RR, MS DEFLECTOR WELDMENT, SPINNER, RR, 304SST DEFLECTOR WELDMENT, SPINNER, RR, AUSST
2	4	05022035	PIN, #11, HAIR, ZINC
3	2	00028003-A 00028003-B 00028003-G	RESTRICTOR GATE WELDMENT, MS RESTRICTOR GATE WELDMENT, 304SST RESTRICTOR GATE WELDMENT, AUSST
4	2	05022106	PIN, .188 LYNCH
5	4	05022055 05022069	PIN, .5 X 2.50 CLEVIS, ZINC PIN, .5 X 2.50, CLEVIS, SS
6	4	05022072	PIN, .156 X .875, ROLL, ZINC
7	2	05010593 05016040	BOLT, .250-20 X 1, G8, HHCS, ZINC BOLT, .250-20 NYLON LOCK, 316 SST
8	2	05020899 05020906	NUT, .250-20, GC, TOPLOCK, C&W NUT, .250-20, NYLON 316 SST
9	1	00028002-A 00028002-B 00028002-F	SPINNER WELDMENT, LWR, 4BLT.MS SPINNER WELDMENT, LWR, 4BLT, 304SST SPINNER WELDMENT, LWR, 4BLT, AUSST
10	1	00062127-A 00062127-B 00062127-G	DEFLECTOR WELDMENT, FR, MS DEFLECTOR WELDMENT, FR, 304SST DEFLECTOR WELDMENT, FR, AUSST
11	1	00062104-A 00062104-B 00062104-H	DEFLECTOR WELDMENT, SIDE, RH, MS DEFLECTOR WELDMENT, SIDE, RH, 304SST DEFLECTOR WELDMENT, SIDE, RH, AUSST
12	1	00028011-A 00028011-B 00028011-D	GATE ADJ BAR, RH, .188, MS GATE ADJ BAR, RH, .188, 304SST GATE ADJ BAR, RH, .188, AUSST
13	1	00028012-A 00028012-B 00028012-D	GATE ADJ BAR, LH, .188, MS GATE ADJ BAR, LH, .188, 304SST GATE ADJ BAR, LH, .188, AUSST
14	1	00062101-A 00062101-B 00062101-H	DEFLECTOR WELDMENT, SIDE, LH, MS DEFLECTOR WELDMENT, SIDE, LH, 304SST DEFLECTOR WELDMENT, SIDE, LH, AUSST



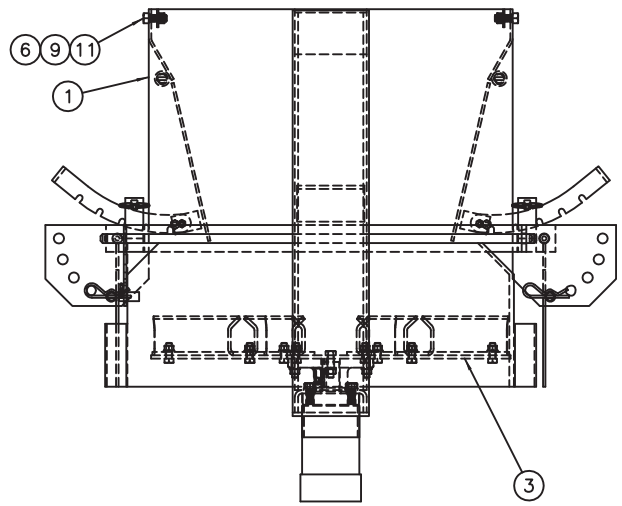
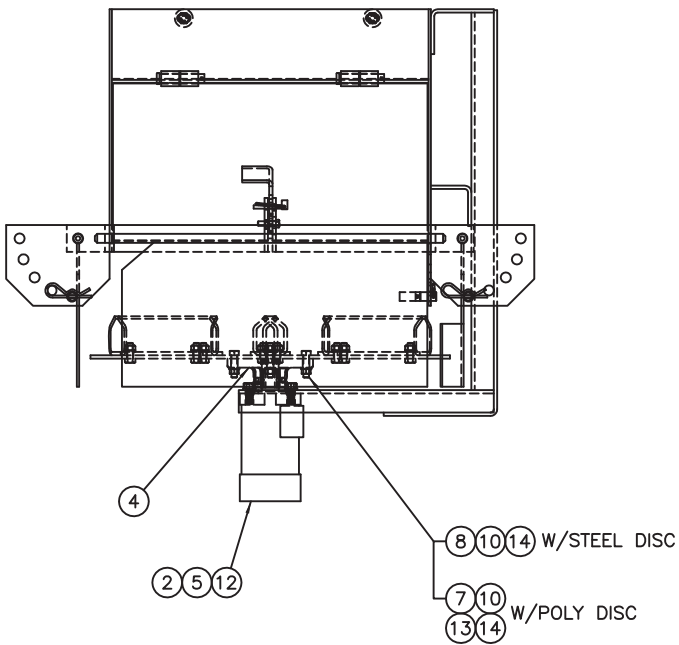
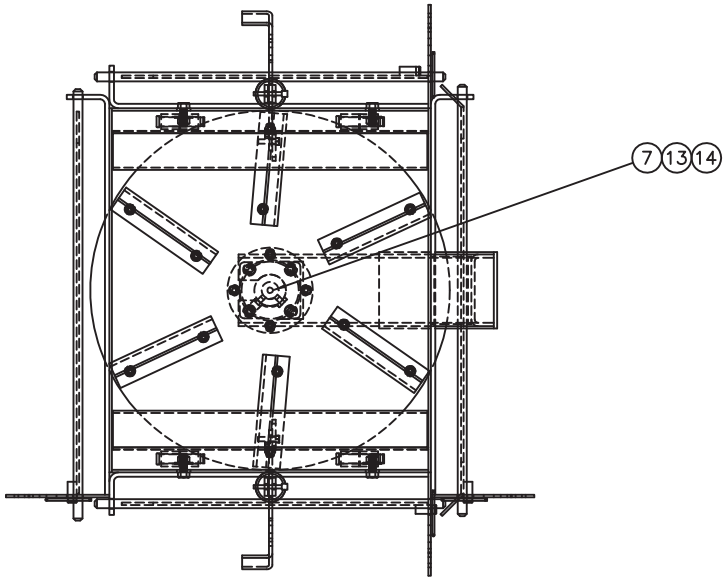
00132429 CHUTE ASSEMBLY, LOWER, SWN

Item	Qty.	Part Number	Description
1	1	00132426-A 00132426-B	CHUTE WELDMNT, LOWER, SPNR, MS CHUTE WELDMNT, LOWER, SPNR, SST
2	3	00132428-A 00132428-B	DEFLECTOR, SPINNER, SWN, MS DEFLECTOR, SPINNER, SWN, SST
3	3	05022096 05022157	PIN, .5 X 1, CLEVIS, ZINC PIN, .5 X 1, CLEVIS, SST
4	3	05022035	PIN, #11 HAIR ZINC
5	6	05010690 05016045	BOLT, .5-13 X 1.25, G8, HHCS, ZINC BOLT, .5-13 X 1.25, HHCS, SST
6	4	05013987 05016003	BOLT, .375-16 X 1.25, G5, CARRIAGE, ZINC BOLT, .375-16 X 1, CARRIAGE, SST
7	6	05020847 05020908	NUT, .5-13, GC, TOP LOCK, C&W NUT, .5-13, NYLON LOCK, 316 SST
8	4	05020898 05020891	NUT, .375-16, GC, TOP LOCK, C&W NUT, .375-16, GC TOP LOCK, C&W
9	4	05021307 05021390	WASHER, .375, FLAT, ZINC WASHER, .375, FLAT, SST



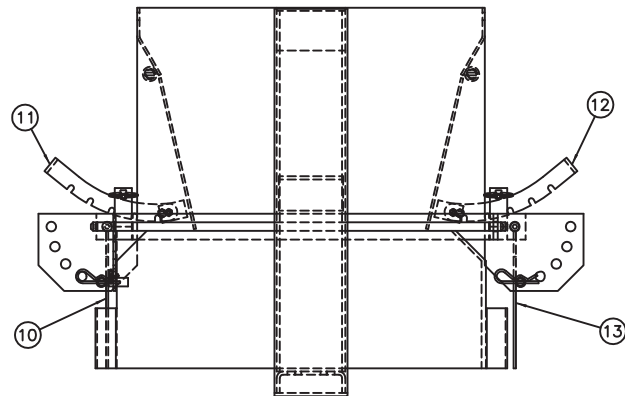
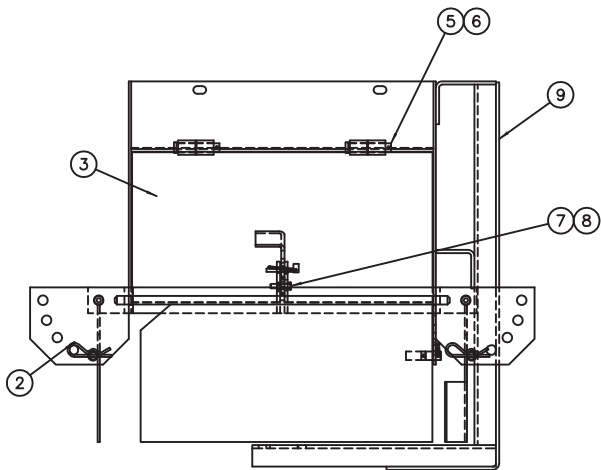
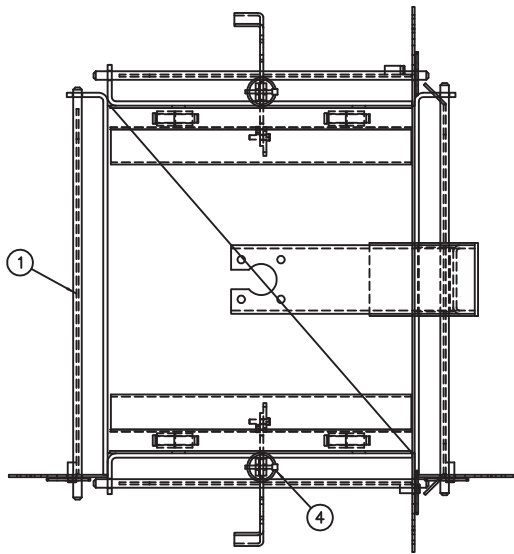
00028044 CHUTE ASSEMBLY, BOLT-ON, V-BOX

Item	Qty.	Part Number	Description
1	1	00028043-A	CHUTE WLDMT,BOLT ON MV/MSV 10GA MS
1	1	00028043-B	CHUTE WLDMT,BOLT ON MV/MSV 10GA 304
1	1	00028043-C	CHUTE WLDMT,BOLT ON MV/MSV,10GA,CORTEN
1	1	00028043-D	CHUTE WLDMT,BOLT ON MV/MSV 12GA MS
1	1	00028043-E	CHUTE WLDMT,BOLT ON MV/MSV 12GA 304
1	1	00028043-F	CHUTE WLDMT,BOLT ON MV/MSV 10GA,AUSST
1	1	00028043-G	CHUTE WLDMT,BOLT ON MV/MSV,12GA,AUSST
2	1	05050055	WIPER, REAR
3	1	00053253-A	WIPER BRACKET MS
3	1	00053253-B	WIPER BRACKET 304SST
3	1	00053253-D	WIPER BRACKET CORTEN
3	1	00053253-F	WIPER BRACKET AUSST
4	3	05010644	BOLT .375-16 x 1.25 G8 HHCS ZC
4	3	05016049	BOLT .375-16 x 1.25 HHCS SST
5	7	05020891	NUT .375-16 NYLON LOCK 316 SST
5	7	05020898	NUT .375-16 TOPLOCK C&W,GRC
6	7	05021307	WASHER .375 FLAT ZC
6	7	05021390	WASHER .375 FLAT SST
7	3	05051402	DECAL-DANGER:TURNING SPINNERS. *NS*
8	4	05013986	BOLT .375-16 x 1.00 G5 CRG ZC
8	4	05016003	BOLT .375-16 x 1.00 CRG SST
9	1	00091758	CANISTER KIT,MANUAL STORAGE



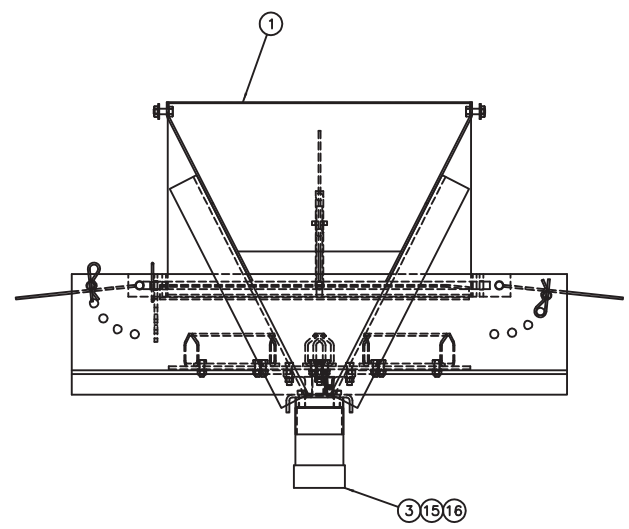
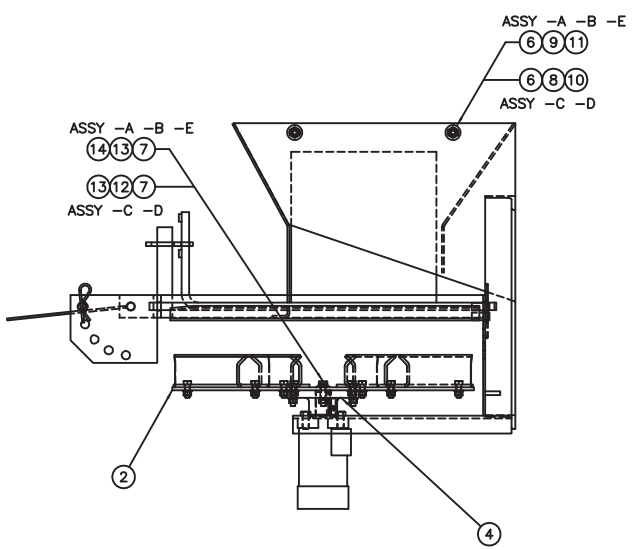
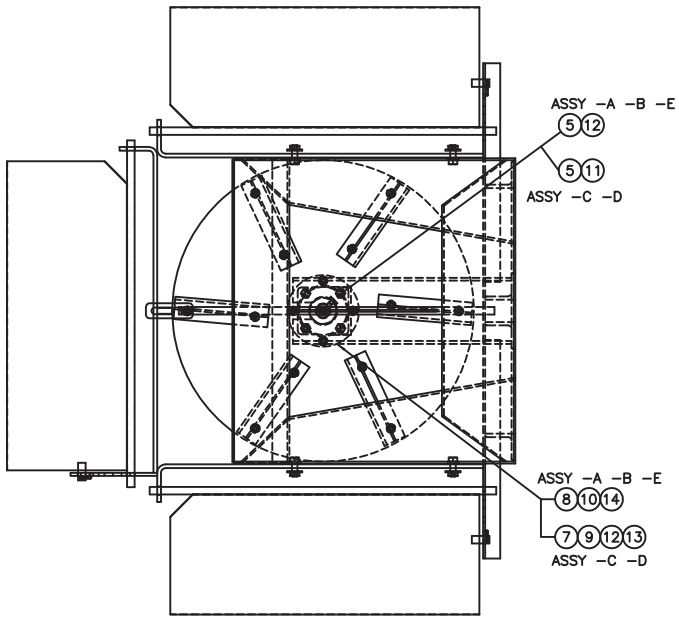
00071794 SPINNER ASSEMBLY, LOWER, BOT MOUNT MOTOR

Item	Qty.	Part Number	Description
1	1	00044293-A	CHUTE ASSY,LOWER,BOT MT MOTOR,MS <i>See Page 101</i>
1	1	00044293-B	CHUTE ASSY,LOWER,BOT MT MOTOR,304
2	1	05006673	MOTOR,HYD,WHITE,3.2CI,4B,1"EXT <i>See Page 110</i>
3	1	00099401-A	SPINNER DISC ASSY,18,CCW,MS
3	1	00099401-B	SPINNER DISC ASSY,18,CCW,304
3	1	00099404-A	SPINNER DISC ASSY,18,CCW,MS <i>See Page 107</i>
3	1	00099404-B	SPINNER DISC ASSY,20.0,CCW,304
3	1	05050794	DISC,SPINNER,20"CCW,RED,POLY <i>See Page 108</i>
4	1	05051380	HUB,SPINNER ASSY,STD, SHORT
5	4	05010645	BOLT .375-16 x 1.50 G8 HHCS ZC
5	4	05016162	BOLT .375-16 x 1.50 HHCS SS
6	4	05013986	BOLT .375-16 x 1.00 G5 CRG ZC
6	4	05016003	BOLT .375-16 x 1.00 CRG SS
7	1	05010618	BOLT .313-18 x 1.00 G8 HHCS ZC
7	5	05010640	BOLT .313-18 x 1.50 HHCS SS
8	4	05010619	BOLT .313-18 x 1.25 G8 HHCS ZC
8	4	05016139	BOLT .313-18 x 1.25 HHCS SS
9	4	05020891	NUT .375-16 NYLON LOCK 316 SS
9	4	05020898	NUT .375-16 GC TOPLOCK C&W
10	4	05020265	NUT .313-18 G8 HEX ZC
10	4	05020855	NUT .313-18 HEX SS
11	4	05021307	WASHER .375 FLAT ZC
11	4	05021390	WASHER .375 FLAT,SAE SS
12	4	05021365	WASHER .375 LOCK ZC
12	4	05021392	WASHER .375 LOCK SS
13	1	05021306	WASHER .313 FLAT ZC
14	5	05021364	WASHER .313 LOCK ZC
15	1	00122073	SEAL SAVER,MOTOR,SPINNER
16	1	05050288	GREASE ZERK,.250-28 STRAIGHT



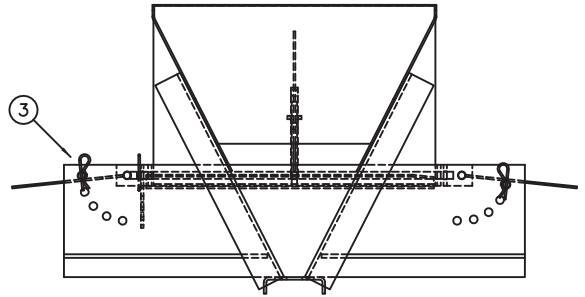
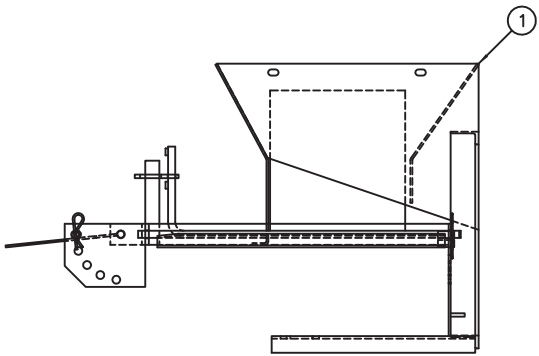
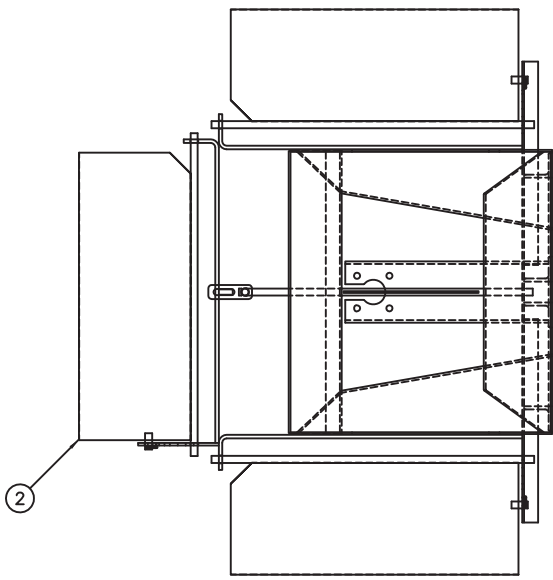
00044293 CHUTE ASSEMBLY, LOWER, BOT MT MOTOR

Item	Qty.	Part Number	Description
1	1	00062116-A	DEFLECTOR WLDMT,SPNR,MV/MSV,RR,MS
1	1	00062116-B	DEFLECTOR WLDMT,SPNR,MV/MSV,RR,304
2	4	05022035	PIN #11 HAIR ZC
3	2	00078894-A	RESTRICTOR GATE WLDMT,MV/MSV,MS
3	2	00078894-B	RESTRICTOR GATE WLDMT,MV/MSV,304
4	2	05022106	PIN .188 LYNCH
5	4	05022055	PIN .50 x 2.500 CLEVIS ZC
5	4	05022069	PIN, .5 C 2.5 CLEVIS, SS
6	4	05022072	PIN .156 x .875 ROLL ZC
7	2	05010593	BOLT .250-20 x 1.00 G8 HHCS ZC
8	2	05020899	NUT .250-20 TOP LOCK ZC
9	1	00044292-A	SPINNER WLDMT,MV/MSV,MS
9	1	00044292-B	SPINNER WLDMT,MV/MSV,304
10	1	00062104-A	DEFLECTOR WLDMT,SPNR,MV/MSV,RH,MS
10	1	00062104-B	DEFLECTOR WLDMT,SPNR,MV/MSV,RH,304
11	1	00028011-A	GATE ADJUSTING BAR,SPNR,MV/MSV,RH,MS
11	1	00028011-B	GATE ADJUSTING BAR,SPNR,MV/MSV,RH,304
12	1	00028012-A	GATE ADJUSTING BAR,SPNR,MV/MSV,LH,MS
12	1	00028012-B	GATE ADJUSTING BAR,SPNR,MV/MSV,LH,304
13	1	00062101-A	DEFLECTOR WLDMT,SPNR,MV/MSV,LH,MS
13	1	00062101-B	DEFLECTOR WLDMT,SPNR,MV/MSV,LH,304



00097343 SPINNER ASSEMBLY, LOWER, SWN

Item	Qty.	Part Number	Description	
1	1	00097357-A	CHUTE ASSY,LOWER,BOT MT MTR,MV/MSV	<i>See Page 104</i>
1	1	00097357-B	CHUTE ASSY,LOWER,BOT MT MTR,MV/MSV	
1	1	00097357-C	CHUTE ASSY,LOWER,BOT MT MTR,MV/MSV	
1	1	00097357-D	CHUTE ASSY,LOWER,BOT MT MTR,MV/MSV	
2	1	00099404-A	DISC ASSY,SPINNER,20,CCW,MS	<i>See Page 107</i>
2	1	00099404-B	DISC ASSY,SPINNER,20,CCW,304	
2	1	00099404-E	DISC ASSY,SPINNER,20,CCW,AUSST	
2	1	05050794	DISC ASSY,SPINNER,20,CCW,MS	<i>See Page 108</i>
3	1	05006673	MOTOR,HYD,WHITE,3.2CI,4B,1"EXT	<i>See Page 110</i>
4	1	05051380	HUB,SPNR ASSY,STD,SHORT W/SET SCREW	
5	4	05010645	BOLT .375-16x1.50 G8 HHCS ZC	
5	4	05016162	BOLT .375-16x1.50 HHCS SST	
6	4	05013986	BOLT .375-16x1.00 G5 CRG ZC	
6	4	05016003	BOLT .375-16x1.00 CRG SST	
7	1	05010618	BOLT .313-18x1.00 HHCS SST	
7	1	05016138	BOLT .313-18x1.00 HHCS SST	
7	5	05010620	BOLT .313-18x1.50 G8 HHCS ZC	
7	5	05016140	BOLT .313-18x1.50 HHCS SST	
8	4	05010619	BOLT .313-18x1.25 G8 HHCS ZC	
8	4	05016139	BOLT .313-18x1.25 HHCS SST	
9	4	05020891	NUT .375-16 NYLON LOCK 316 SST	
9	4	05020898	NUT .375-16 GC TOPLOCK C&W	
10	4	05020265	NUT .313-18 G8 HEX ZC	
10	4	05020855	NUT .313-18 HEX SST	
11	4	05021307	WASHER .375 FLAT ZC	
11	4	05021390	WASHER .375 FLAT SST	
12	4	05021365	WASHER .375 LOCK ZC	
12	4	05021392	WASHER .375 LOCK SST	
13	5	05021306	WASHER .313 FLAT ZC	
14	5	05021364	WASHER .313 LOCK ZC	
15	1	00122073	SEAL SAVER,MOTOR,SPINNER	
16	1	05050288	GREASE ZERK,.250-28 STRAIGHT	



00097357 CHUTE ASSEMBLY, LOWER, BOT MT MOTOR, SWN

Item	Qty.	Part Number	Description
1	1	00097345-A	CHUTE WLDMT,LOWER,MV/MSV,SWN,MS
1	1	00097345-B	CHUTE WLDMT,LOWER,MV/MSV,SWN,304
1	1	00097345-C	CHUTE WLDMT,LOWER,MV/MSV,SWN,304L
1	1	00097345-D	CHUTE WLDMT,LOWER,MV/MSV,SWN,AUSST
2	3	00048696-A	DEFLECTOR WLDMT,SPINNER,MS
2	3	00048696-B	DEFLECTOR WLDMT,SPINNER,304
2	3	00048696-C	DEFLECTOR WLDMT,SPINNER,304L,12GA
2	3	00048696-D	DEFLECTOR WLDMT,SPINNER,AUSST,12GA
3	3	05022035	PIN #11 HAIR ZC

00080876 ENCLOSURE KIT, SPINNER, CHUTE

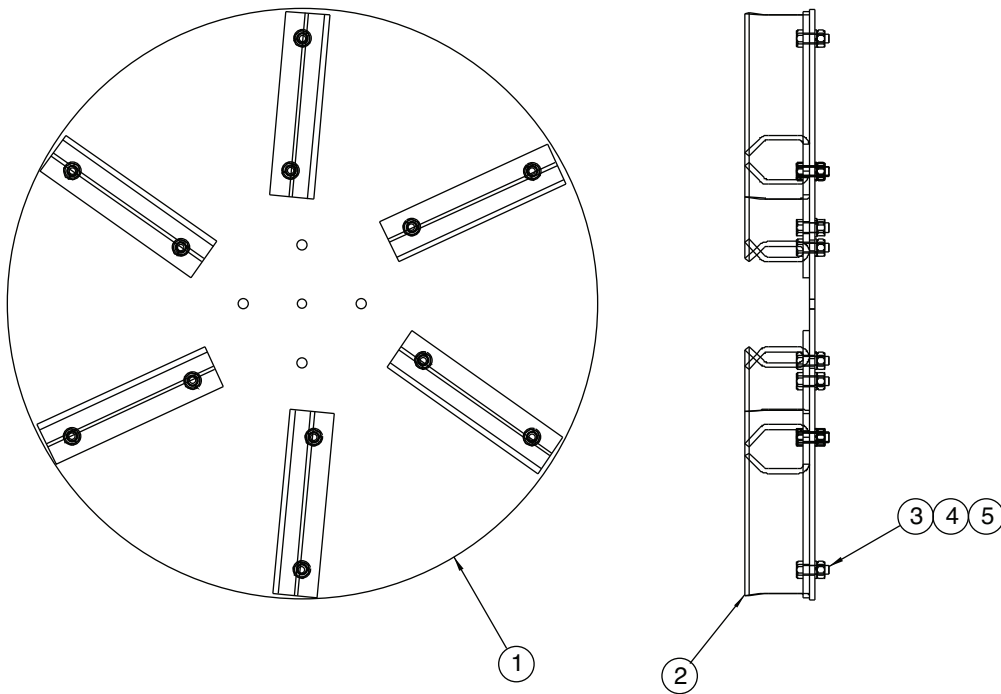
Item	Qty.	Part Number	Description
1	1	00059837-A 00059837-B 00059837-C 00059837-D 00059837-E 00059837-F 00059837-G	ENCLOSURE, 10GA, MS ENCLOSURE, 10GA, 304 ENCLOSURE, 12GA, MS ENCLOSURE, 12GA, 304 ENCLOSURE, 10GA, CORTEN ENCLOSURE, 10GA, AUSST ENCLOSURE, 12GA, AUSST
2	4	05013986 05016003	BOLT, .375-16 X 1, G5, CARRIAGE, ZINC BOLT, .375-16 X 1, CARRIAGE, SST
3	4	05020898 05020891	NUT, .375-16, GC, TOP LOCK, C&W NUT, .375-16, NYLON LOCK, 316 SST
4	4	05021307 05021390	WASHER, .375, FLAT, ZINC WASHER, .375, FLAT, SST

00019330 EXT KIT, SPINNER, TIP UP

Item	Qty.	Part Number	Description
1	1	00065912-A 00065912-B	EXTENSION WELDMENT, CHUTE, TIP-UP, , 10GA, MS EXTENSION WELDMENT, CHUTE, TIP-UP, , 10GA, SST
2	4	05013987 05016746	BOLT, .375-16 X 1.250,G5, CARRIAGE, ZINC BOLT, .375-16 X 1.250, CARRIAGE, SST
3	4	05020898 05020891	NUT, .375-16, TOP LOCK, C&W NUT, .375-16, NYLON LOCK, 316 SST
4	8	05021307 05021390	WASHER, .375, FLAT, ZINC WASHER, .375, FLAT, SST

00012876 EXTENSION KIT, SPINNER, BOLT-ON

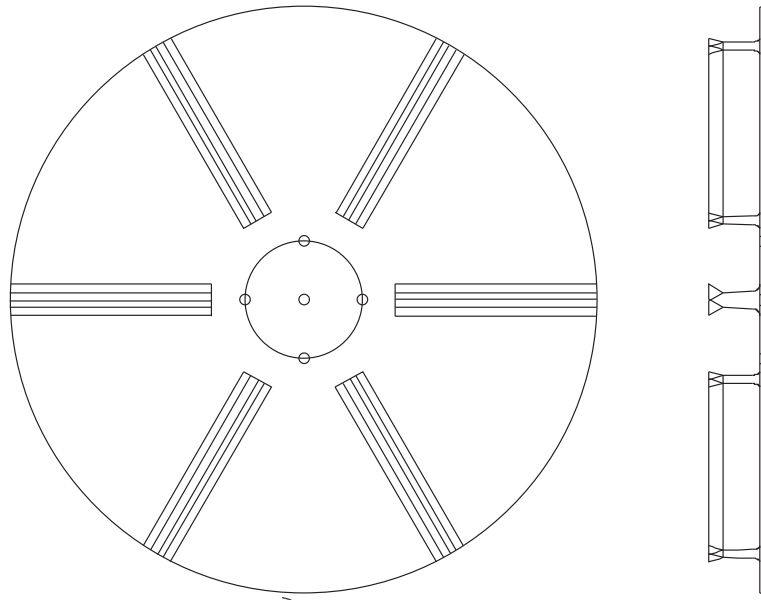
Item	Qty.	Part Number	Description
1	1	00059889-A 00059889-B	EXTENSION WELDMENT, CHUTE, TIP-UP, MS EXTENSION WELDMENT, CHUTE, TIP-UP, SST
2	4	05013987 05016746	BOLT, .375-16 X 1.250,G5, CARRIAGE, ZINC BOLT, .375-16 X 1.250, CARRIAGE, SST
3	4	05020898 05020891	NUT, .375-16, TOP LOCK, C&W NUT, .375-16, NYLON LOCK, 316 SST
4	4	05021307 05021390	WASHER, .375, FLAT, ZINC WASHER, .375, FLAT, SST



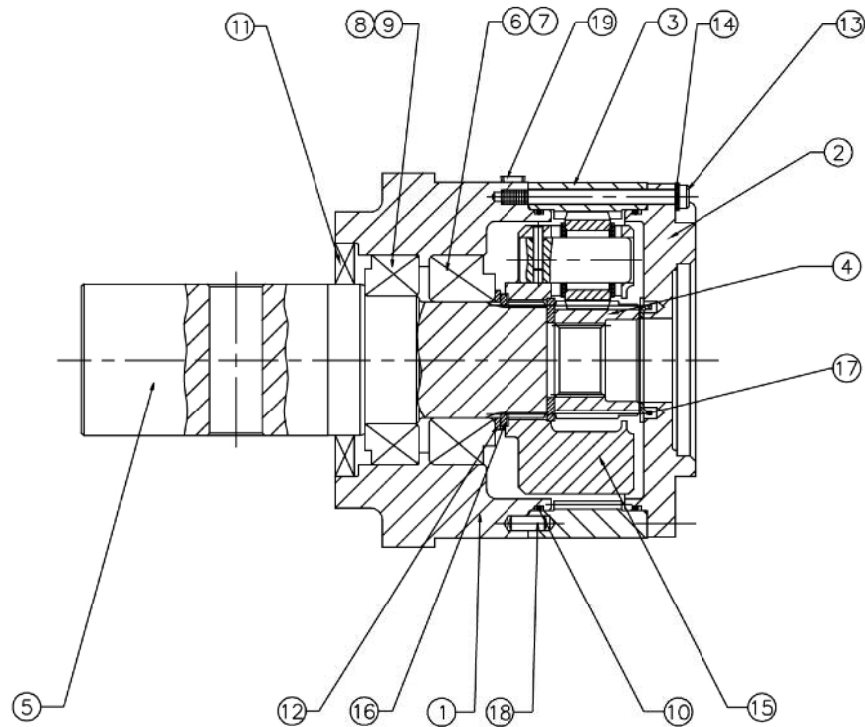
00099404 DISC ASSEMBLY, SPINNER, 20" CCW

Item	Qty	Part Number	Description
1	1	00062012-A 00062012-B 00062012-C 00062012-D	Spinner Disc, 20" MS Spinner Disc, 20" SST Spinner Disc, 20" AR Spinner Disc, 20" Corten
2	6	00080425-A 00080425-B 00080425-C	Spinner Flight, MS Spinner Flight, SST Spinner Flight, Corten
3	12	05010617 05016137	Bolt, $\frac{5}{16}$ -18 x $\frac{7}{8}$, G8, HHCS, Zinc Bolt, $\frac{5}{16}$ -18 x $\frac{7}{8}$, HHCS, SST
4	12	05020265 05020855	Nut, Hex, $\frac{5}{16}$ -18, G8, Zinc Nut, Hex, $\frac{5}{16}$ -18, G8, SST
5	12	05021364 05021407	Washer, Lock, $\frac{5}{16}$, Zinc Washer, Lock, $\frac{5}{16}$, SSST

05050794 SPINNER DISC, 20" CCW, POLY WITH MOLDED FLIGHTS



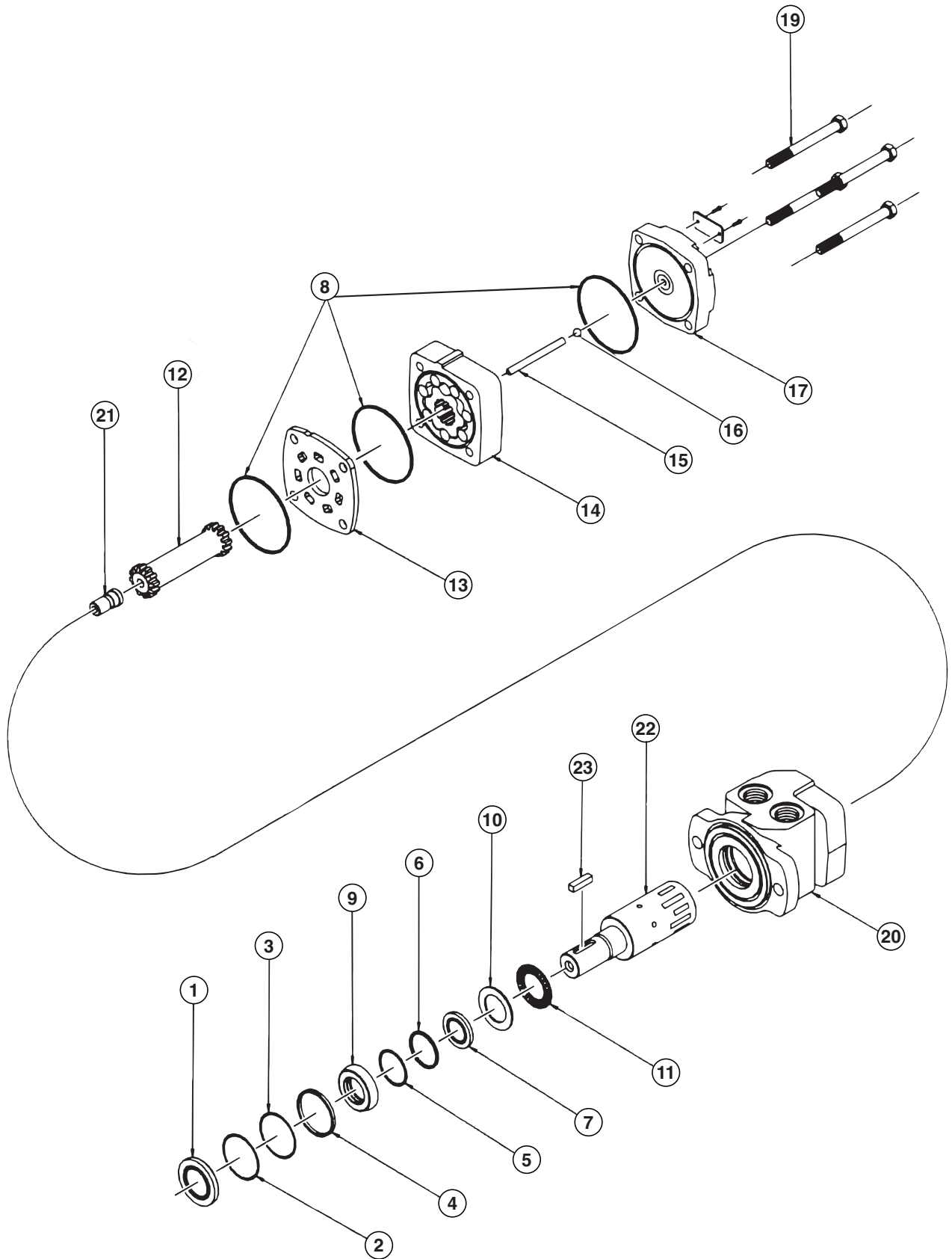
05007426 GEARBOX, PLANETARY, 3.6:1, 14T HYD INPUT



GEARBOX ASSEMBLY PARTS LIST

ITEM	QTY	PART #	DESCRIPTION
1	1	05007491	HOUSING
2	1	05007490	CAP INPUT
3	1	05007489	GEAR RING
4	1	05007488	GEAR SUN
5	1	05007487	SHAFT
6	1	05007486	BEARING CUP
7	1	05007485	BEARING CONE
8	1	05007484	BEARING CUP
9	1	05007483	BEARING CONE
10	2	05007482	O-RING
11	1	05007481	OIL SEAL
12	1	05007480	SPACER
13	12	05007479	SOCKET HEAD BOLT
14	12	05007478	LOCK WASHER
15	1	05007477	SECONDARY CARRIER SUB ASSEMBLY
16	1	05007476	SNAP RING
17	1	05007475	RETAINING WASHER
18	2	05007474	DOWEL PIN
19	2	05007473	SOCKET HEAD PIPE PLUG
---	1	05052993	O-RING .125"

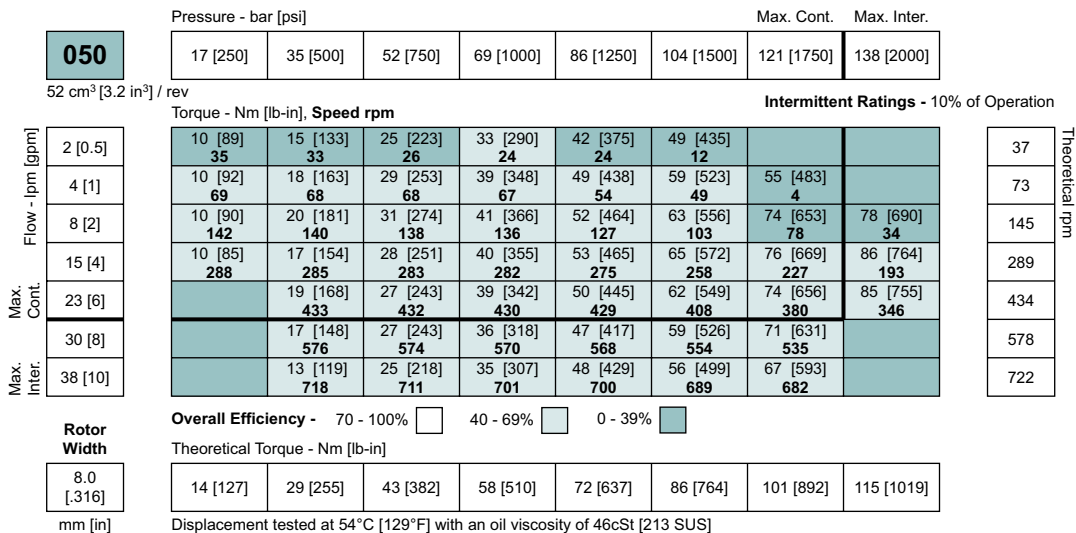
05006673 MOTOR, HYD, WHITE, 3.2CI, 4B, 1" EXT SHAFT, .875" ORB/SEAL SAVER



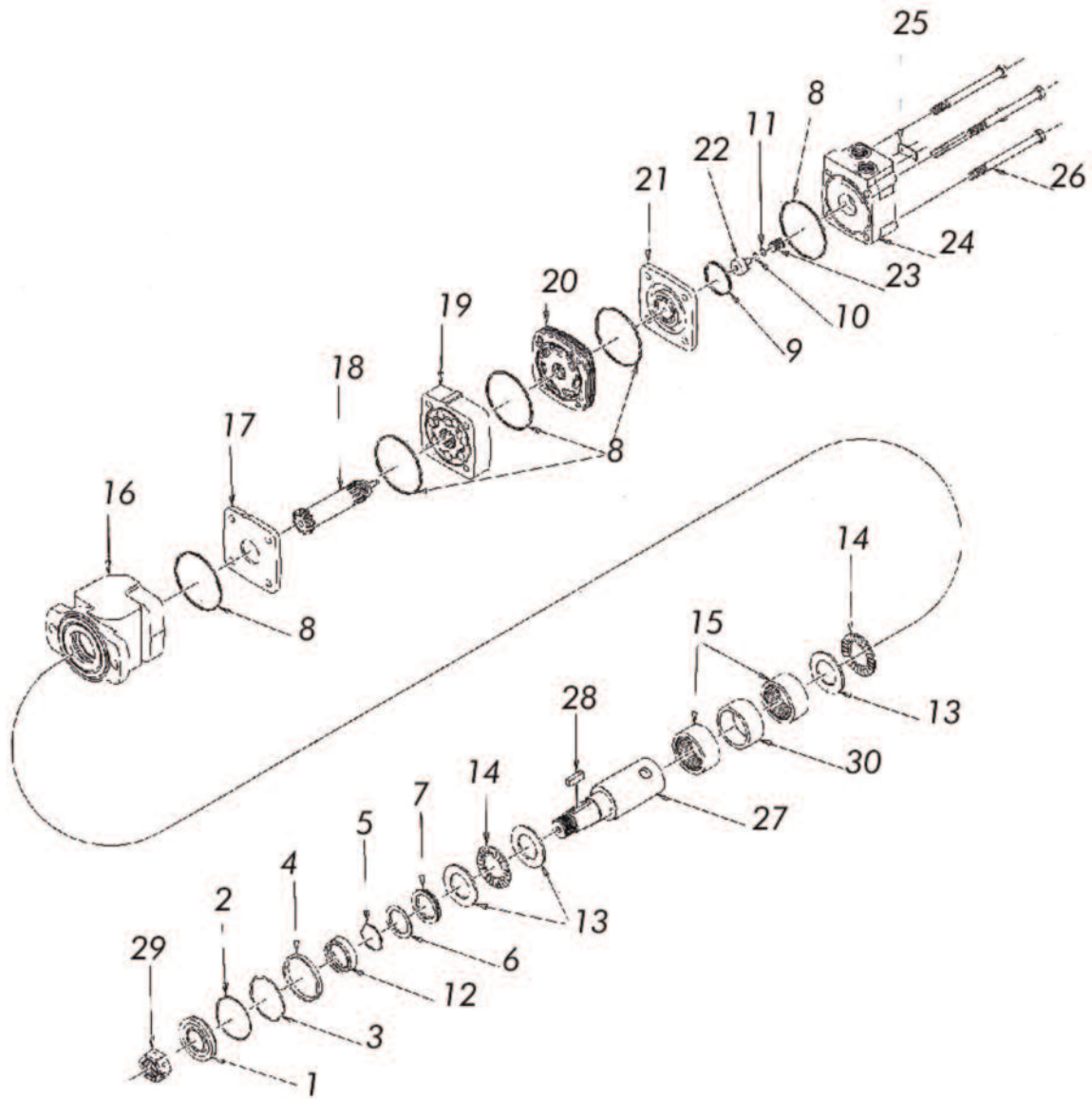
MOTOR ASSEMBLY PARTS LIST

Item	Part Number	Description
1	Seal Kit 05006679	Dust Seal
2		Split Wire Ring
3		Metal Backup Shim
4		High Pressure Seal
5		Metal Backup Shim
6		Teflon Backup Shim
7		Shaft Seal
8		Body Seals (3)
9		Seal Carrier
10		Thrust Washer
11	---	Thrust Bearing
12	---	Drive Link Kit
13	---	Wear Plate
14	---	Rotor Kit
15	---	Drive Link Pin Kit
16	---	Included in item #15 Drive Link Pin Kit
17	---	End Cover
18	---	Serial Number Plate
19	---	Bolt Set Kit
20	05006564	Housing Kit, 4-Hole, w/ 7/8" O-Ring
21	---	Cooling Plug
22	05006410	Shaft Kit 1" Straight Speed Sensor
23	---	Key Kit, 1" Straight

DISPLACEMENT PERFORMANCE



05006706 MOTOR, HYD, WHITE, 24.9CI, 2B, 1.25
14SPLINE, EXTNL CASE DRAIN, HB



See page 114 performance data

MOTOR ASSEMBLY PARTS LIST

Item	Part Number	Description
1	Seal Kit 05006634	Dust Seal
2		Split Wire Ring
3		Metal Backup Shim
4		High Pressure Seal
5		Metal Backup Shim
6		Teflon Backup Shim
7		Shaft Seal
8		Body Seals (3)
9		Seal Carrier
10		O-Ring Seal
11		Teflon Backup Seal
12	05006635	Seal Carrier
13	---	Thrust Washer
14	---	Thrust Bearing
15	---	Roller Bearing
16	---	Housing Kit
17	05006640	Wear Plate
18	---	Drive link Kit
19	---	Rotor Kit
20	05006641	Manifold
21	05006642	Commutator Assembly
22	---	Endcover Piston
23	---	Pisston Spring
24	05006644	Endcover Kits
26	---	Bolt Set Kit
27	05006685	Shaft Kit
28	---	Key Kit
29	---	Nut Kit

400	Pressure - bar [psi]				Max. Cont.		Peak
	17 [250]	35 [500]	69 [1000]	104 [1500]	138 [2000]	173 [2500]	207 [3000]

409 cm³ [24.9 in³] / rev

Flow - lpm [gpm]	Torque - Nm [lb-in], Speed rpm							Intermittent Ratings - 10% of Operation			
	85 [757] 4	193 [1710] 4	367 [3248] 3	534 [4721] 2							
2 [0.5]	88 [776] 9	185 [1640] 8	383 [3386] 8	580 [5129] 6	745 [6590] 4	899 [7954] 1					5
4 [1]	86 [762] 18	196 [1734] 18	394 [3487] 17	586 [5184] 15	764 [6763] 11	927 [8204] 5					10
8 [2]	85 [749] 37	188 [1661] 36	404 [3571] 35	602 [5325] 32	796 [7047] 24	962 [8517] 18	1108 [9804] 9				19
15 [4]	71 [629] 55	180 [1593] 55	387 [3428] 54	596 [5274] 49	787 [6969] 39	978 [8653] 28	1141 [10094] 20				38
23 [6]		165 [1462] 74	373 [3299] 73	595 [5264] 69	792 [7010] 58	966 [8552] 44	1149 [10167] 31				56
30 [8]		143 [1269] 92	356 [3150] 90	581 [5144] 88	782 [6923] 79	974 [8617] 62	1156 [10231] 45				75
38 [10]		122 [1076] 111	333 [2950] 109	545 [4823] 107	749 [6624] 98	957 [8470] 83	1143 [10116] 61				93
45 [12]		95 [842] 129	313 [2774] 128	521 [4607] 126	717 [6344] 117	931 [8235] 103	1131 [10007] 78				112
53 [14]			282 [2493] 147	496 [4385] 145	685 [6063] 141	919 [8131] 121	1100 [9733] 100				130
61 [16]			244 [2156] 166	453 [4009] 165	681 [6023] 158	871 [7708] 142	1071 [9478] 121				149
68 [18]			197 [1741] 185	420 [3713] 183	650 [5756] 179	838 [7417] 166	1051 [9302] 145				167
76 [20]			164 [1448] 203	378 [3344] 201	588 [5200] 198	810 [7171] 186					186
83 [22]				333 [2947] 222	559 [4945] 220	750 [6640] 211					205
91 [24]				303 [2682] 231	539 [4773] 228	764 [6760] 221					223
95 [25]											232

Rotor Width
63.5 [2.500]
mm [in]

Overall Efficiency - 70 - 100% 40 - 69% 0 - 39%

Theoretical Torque - Nm [lb-in]

112 [991]	224 [1982]	448 [3965]	672 [5947]	896 [7930]	1120 [9912]	1344 [11895]
-----------	------------	------------	------------	------------	-------------	--------------

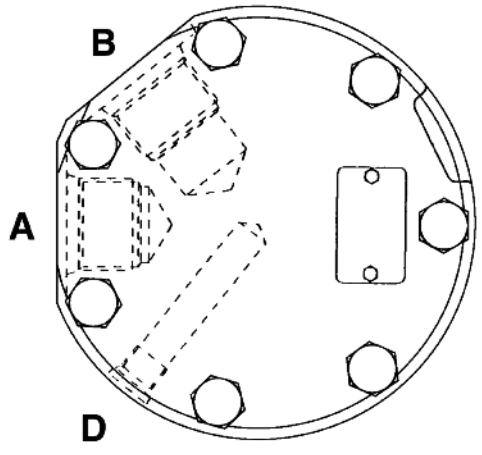
Displacement tested at 54°C [129°F] with an oil viscosity of 46cSt [213 SUS]

► Performance data is typical. Performance of production units varies slightly from one motor to another.

DELIVERING THE POWER TO GET WORK DONE

Case Drain Important Instructions:

- All external case drains on motors must have a dedicated return hose to the oil tank.
- Hose size must be as directed by the motor manufacturer.
- Return connection (port) at tank should be just below normal oil level in tank.
- Multiple case drains can be T'd into one port on an oil tank if done at the tank port.
- The case drain circuit should not have a filter installed. If a filter is placed in the case drain circuit, the filter rating must be no less than 125 microns.
- Maximum allowable peak backpressure on a case drain circuit is 15psi
- The oil return hose on a motor with internal case drain shall be a dedicated circuit back to tank and not combined with other return circuits.
- Motors with internal case drains must not be connected in series.

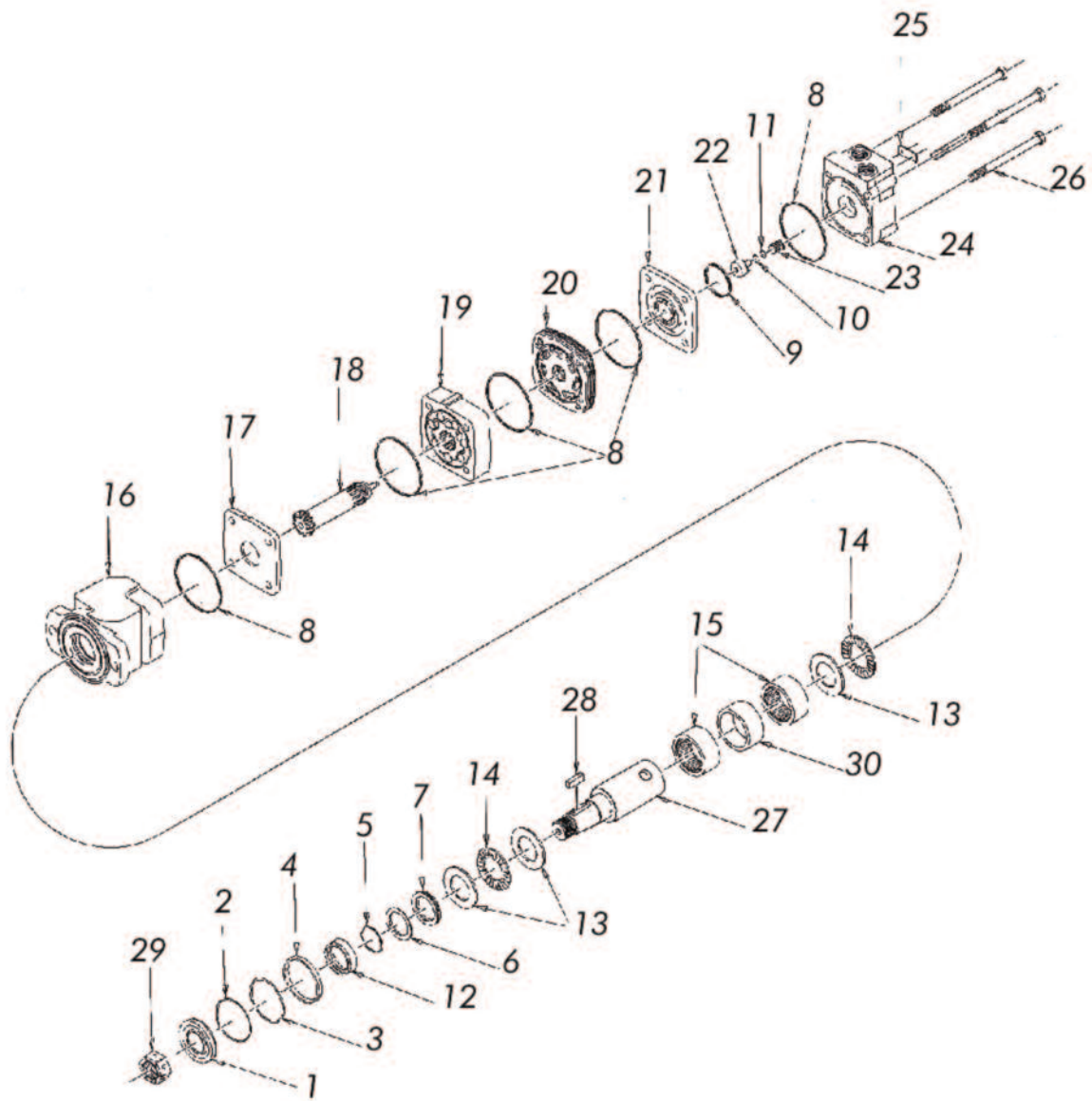


PRESSURIZING PORT "B" RESULTS IN A CLOCKWISE SHAFT ROTATION AS VIEWED FROM THE SHAFT END.

DRAIN LINE "D" MUST BE ROUTED BACK TO TANK.

LEFT INTENTIONALLY BLANK

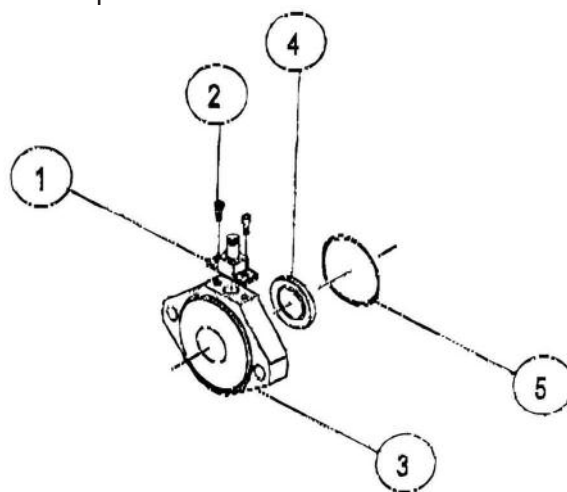
05006707 MOTOR, HYD, WHITE, 24.9CI, 2B, 1.25
14SPL, 100P SNSOR, EXT DRAIN, HB



See page 118 performance data

MOTOR ASSEMBLY PARTS LIST

Item	Part Number	Description
1	Seal Kit 05006634	Dust Seal
2		Split Wire Ring
3		Metal Backup Shim
4		High Pressure Seal
5		Metal Backup Shim
6		Teflon Backup Shim
7		Shaft Seal
8		Body Seals (3)
9		Seal Carrier
10		O-Ring Seal
11		Teflon Backup Seal
12	05006635	Seal Carrier
13	---	Thrust Washer
14	---	Thrust Bearing
15	---	Roller Bearing
16	---	Housing Kit
17	05006640	Wear Plate
18	---	Drive link Kit
19	---	Rotor Kit
20	05006641	Manifold
21	05006642	Commutator Assembly
22	---	Endcover Piston
23	---	Pisston Spring
24	05006644	Endcover Kits



SPEED SENSOR KIT

Item	Qty	Part Number	Description
1	1	05006629	Standard 4-Pin Speed Sensor, 100 Pulse
2	2	05006561	Sensor Attachment Screws
3	1	05006600	2-Hole Sensor Flange
4	1	05006418	Sensor Magnet
5	1	05006601	2-Hole Sensor Flange Seal

400	Pressure - bar [psi]						Max. Cont.	Peak
	17 [250]	35 [500]	69 [1000]	104 [1500]	138 [2000]	173 [2500]	207 [3000]	

409 cm³ [24.9 in³] / rev

Flow - lpm [gpm]	Torque - Nm [lb-in], Speed rpm						Intermittent Ratings - 10% of Operation		
	85 [757] 4	193 [1710] 4	367 [3248] 3	534 [4721] 2					
2 [0.5]	88 [776] 9	185 [1640] 8	383 [3386] 8	580 [5129] 6	745 [6590] 4	899 [7954] 1			5
4 [1]	86 [762] 18	196 [1734] 18	394 [3487] 17	586 [5184] 15	764 [6763] 11	927 [8204] 5			10
8 [2]	85 [749] 37	188 [1661] 36	404 [3571] 35	602 [5325] 32	796 [7047] 24	962 [8517] 18	1108 [9804] 9		19
15 [4]	71 [629] 55	180 [1593] 55	387 [3428] 54	596 [5274] 49	787 [6969] 39	978 [8653] 28	1141 [10094] 20		38
23 [6]		165 [1462] 74	373 [3299] 73	595 [5264] 69	792 [7010] 58	966 [8552] 44	1149 [10167] 31		56
30 [8]		143 [1269] 92	356 [3150] 90	581 [5144] 88	782 [6923] 79	974 [8617] 62	1156 [10231] 45		75
38 [10]		122 [1076] 111	333 [2950] 109	545 [4823] 107	749 [6624] 98	957 [8470] 83	1143 [10116] 61		93
45 [12]		95 [842] 129	313 [2774] 128	521 [4607] 126	717 [6344] 117	931 [8235] 103	1131 [10007] 78		112
53 [14]			282 [2493] 147	496 [4385] 145	685 [6063] 141	919 [8131] 121	1100 [9733] 100		130
61 [16]			244 [2156] 166	453 [4009] 165	681 [6023] 158	871 [7708] 142	1071 [9478] 121		149
68 [18]			197 [1741] 185	420 [3713] 183	650 [5756] 179	838 [7417] 166	1051 [9302] 145		167
76 [20]			164 [1448] 203	378 [3344] 201	588 [5200] 198	810 [7171] 186		186	
83 [22]				333 [2947] 222	559 [4945] 220	750 [6640] 211		205	
91 [24]				303 [2682] 231	539 [4773] 228	764 [6760] 221		223	
95 [25]								232	

Rotor Width
63.5 [2.500]
mm [in]

Overall Efficiency - 70 - 100% 40 - 69% 0 - 39%

Theoretical Torque - Nm [lb-in]

112 [991]	224 [1982]	448 [3965]	672 [5947]	896 [7930]	1120 [9912]	1344 [11895]
-----------	------------	------------	------------	------------	-------------	--------------

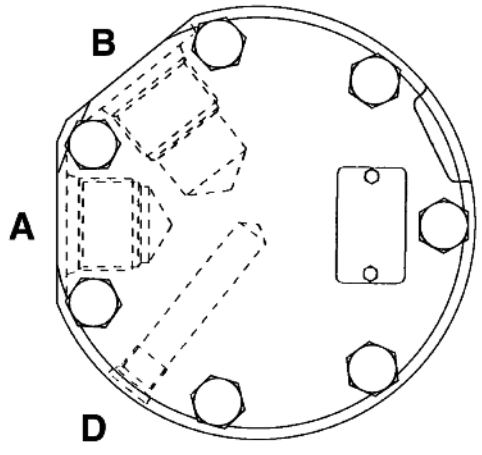
Displacement tested at 54°C [129°F] with an oil viscosity of 46cSt [213 SUS]

► Performance data is typical. Performance of production units varies slightly from one motor to another.

DELIVERING THE POWER TO GET WORK DONE

Case Drain Important Instructions:

- All external case drains on motors must have a dedicated return hose to the oil tank.
- Hose size must be as directed by the motor manufacturer.
- Return connection (port) at tank should be just below normal oil level in tank.
- Multiple case drains can be T'd into one port on an oil tank if done at the tank port.
- The case drain circuit should not have a filter installed. If a filter is placed in the case drain circuit, the filter rating must be no less than 125 microns.
- Maximum allowable peak backpressure on a case drain circuit is 15psi
- The oil return hose on a motor with internal case drain shall be a dedicated circuit back to tank and not combined with other return circuits.
- Motors with internal case drains must not be connected in series.



PRESSURIZING PORT "B" RESULTS IN A CLOCKWISE SHAFT ROTATION AS VIEWED FROM THE SHAFT END.

DRAIN LINE "D" MUST BE ROUTED BACK TO TANK.



Service Bulletin

Copyright © 2014, Monroe Truck Equipment

Subject: Installing grease in White hydraulic motor sensor blocks

Description:

The sensor motor blocks that are installed between White hydraulic motors and gearboxes have an internal cavity that houses the pulse rotor on the motor shaft. This cavity is isolated from the motor and the gearbox, and the sensor components do not require any lubrication.

During the life of the motor and sensor block assembly, some moisture will work into the cavity and cause corrosion that can damage the sensor. Units disassembled in the field have been found to be severely corroded inside.

White provides a grease fitting on the sensor block to allow installation of grease for corrosion protection. The blocks must be filled with grease during initial installation and checked annually during operation. This Service Bulletin describes the proper method of installing grease in a sensor block.

Required Grease

Sensor blocks must be filled only with dielectric (non-conductive) grease. The use of grease containing electrically-conductive materials (graphite, etc.) will cause errors in the sensor pickup signal to the cab controller.

Proper Method of Grease Installation

The sensor pickup must be removed before grease is pumped into the sensor block. This allows the grease to flow in without pressurizing the sensor cavity. Pumping grease in the fitting without removing the pickup will build pressure in the cavity and may damage the shaft seals or the block isolation O-rings.

Frequency of Grease Installation

The block cavity must be filled during initial assembly and installation of the motor. No more than annually, the pickup should be removed and additional grease pumped into the block to insure it is filled. End users must be informed and reminded that this is not a lubrication point and must not be included in lubrication schedules for bearings and other frequently-lubricated components.

Bulletin #: SB-00306	Release Date: 04/02/14	Revision Date:
-----------------------------	-------------------------------	-----------------------



Service Bulletin

Copyright © 2014, Monroe Truck Equipment

Subject: Installing grease in White hydraulic motor sensor blocks

Description:

The sensor motor blocks that are installed between White hydraulic motors and gearboxes have an internal cavity that houses the pulse rotor on the motor shaft. This cavity is isolated from the motor and the gearbox, and the sensor components do not require any lubrication.

During the life of the motor and sensor block assembly, some moisture will work into the cavity and cause corrosion that can damage the sensor. Units disassembled in the field have been found to be severely corroded inside.

White provides a grease fitting on the sensor block to allow installation of grease for corrosion protection. The blocks must be filled with grease during initial installation and checked annually during operation. This Service Bulletin describes the proper method of installing grease in a sensor block.

Required Grease

Sensor blocks must be filled only with dielectric (non-conductive) grease. The use of grease containing electrically-conductive materials (graphite, etc.) will cause errors in the sensor pickup signal to the cab controller.

Proper Method of Grease Installation

The sensor pickup must be removed before grease is pumped into the sensor block. This allows the grease to flow in without pressurizing the sensor cavity. Pumping grease in the fitting without removing the pickup will build pressure in the cavity and may damage the shaft seals or the block isolation O-rings.

Frequency of Grease Installation

The block cavity must be filled during initial assembly and installation of the motor. No more than annually, the pickup should be removed and additional grease pumped into the block to insure it is filled. End users must be informed and reminded that this is not a lubrication point and must not be included in lubrication schedules for bearings and other frequently-lubricated components.

Bulletin #: SB-00306	Release Date: 04/02/14	Revision Date:
-----------------------------	-------------------------------	-----------------------

MONROE TRUCK EQUIPMENT, INC. WARRANTY SNOW & ICE CONTROL PRODUCTS

Monroe Truck Equipment, Inc. warrants to the original purchaser, that if any part of the product proves to be defective in workmanship or material within **ONE YEAR** of the original installation, and is returned to us within 30 days of the discovered defect, we will (at our option) repair or replace the defective part. This warranty does not apply to damage resulting from misuse, neglect, accident, improper installation, normal wear items or lack of maintenance. This warranty is exclusive and supersedes all other warranties, whether expressed or implied. **Monroe Truck Equipment, Inc.** neither assumes, nor authorizes anyone to assume for it, any other obligation or liability in connection with this warranty and will not be liable for consequential damages.

All engines, pumps, motors, cylinders and valves are warranted by their manufacturer and not by **Monroe Truck Equipment, Inc.**. The manufacturer's warranty will apply to these parts. Electrical and hydraulic components are not to be disassembled without the express written permission of Monroe Truck Equipment. Use of replacement parts other than original equipment voids this warranty.

All defective parts returned must be accompanied by the model number, serial number, date installed, date of defect, description of defect, and the name of the distributor from whom it was purchased. All warranty claims must have prior written approval from **Monroe Truck Equipment, Inc.**

Please return the warranty registration card that accompanies this manual to confirm receipt of this parts catalog and acknowledge the information contained within. Failure to return the attached card may result in a voided warranty.



**1051 West 7th Street
 Monroe, WI 53566
 608-328-8127 ~ Fax: 608-328-4278**

Warranty Policy Uninstalled Parts and Equipment Provided by Monroe Truck Equipment

Monroe Truck Equipment will provide the following limited warranty for a period of one year to the original purchaser of all uninstalled goods provided by Monroe Truck Equipment:

LIMITED WARRANTY: All goods provided by Monroe Truck Equipment (MTE) will be free from defects in material and workmanship for a period of one year from the date of purchase by the original purchaser. This limited warranty shall be the sole and exclusive remedy for any such product found to be defective. This limited warranty supercedes all previous warranties and is exclusive and in lieu of all other warranties, whether expressed or implied.

This limited warranty applies only to parts or accessories manufactured by MTE and/or provided by same. Except with respect to title, this limited warranty does not pertain to parts or accessories not manufactured and/or provided by MTE, regardless of whether such parts or accessories were selected and/or recommended by MTE. MTE will, as a service to the buyer, pass on any warranties received from the original manufacturer of MTE provided parts and/or accessories.

MTE will not under any circumstances be liable for any incidental or consequential damages whether in tort, contract, or otherwise, for any bodily injury, death, property damage, loss of use, or loss of income resulting from or in any way arising out of any goods provided by MTE, or their sale, use, or manufacture.

Any warranty claim deemed to be arising from the result of misuse, abuse, neglect, accident, improper installation, lack of maintenance, act of war (whether declared or otherwise), or act of God will be denied. Any repair or modification by the buyer or any third party, without the prior written consent of MTE, will void any possible warranty compensation. Any damage deemed to be the result of abnormal operation will not be compensated by this warranty.

Normal or special maintenance items such as fuels, fluids, tires/belts, hoses, filters, air cleaners, light bulbs, and any other items subject to normal wear and tear that are supplied in connection with goods provided by MTE are not allowed under this warranty.

All engines, pumps, cylinders, valves, and motors are warranted by their manufacturer and not by Monroe Truck Equipment. The manufacturer's warranty will apply to these parts. Electrical and hydraulic components are not to be disassembled without the express written consent of MTE. Any disassembly of MTE provided components without prior authorization will void the applicable warranty.

Monroe Truck Equipment shall be the sole and final determining authority as it applies to the administration of this warranty policy. Purchaser acknowledges receipt of Monroe Truck Equipment Warranty Policy and agrees to be bound by same.



GLOBAL SOLUTIONS
 ARMORED VEHICLES ~ SPORT TRUCK CONVERSIONS
 MUNICIPAL SNOW & ICE CONTROL ~ FIRE APPARATUS
 PICKUP TRUCK ACCESSORIES ~ TRUCK EQUIPMENT/MODIFICATIONS





**1051 West 7th Street
Monroe, WI 53566
608-328-8127 ~ Fax: 608-328-4278**

Any and all warranty claims must be forwarded to MTE within 10 days of defect discovery. A copy of the original Monroe Truck Equipment invoice as well as the manufacturer's model number, serial number, and date of installation must accompany all correspondence regarding said claims. MTE will, at their option, choose whether to repair or replace the defective part unless otherwise specified by the original manufacturer of said part.

Procedures for Warranty Claims Notification

For submission of any warranty claim please contact Monroe Truck Equipment – Warranty Department at 800-356-8134

The following documentation will be needed when you call for initial warranty authorization:

1. A copy of the original MTE invoice.
2. Make, Model, and VIN or Serial Number of the equipment involved.
3. Part number and serial number of the part in question.
4. A complete description of the problem.

The following must accompany any claims submitted to Monroe Truck Equipment:

1. Documented photographs of any physical damage.
2. Inspection notes by MTE personnel or MTE authorized 3rd party.
3. Authorization number issued by Monroe Truck Equipment – Warranty Department.

Defective parts must be returned to Monroe Truck Equipment (freight prepaid) within 30 days of issuance of Authorization Number.

Monroe Truck Equipment reserves the right to void any warranty for failure to comply with Monroe Truck Equipment Warranty Policy.

This policy is effective October 11, 2012

