



Parts & Service Manual for MCV Spreader Dual Auger



Monroe Snow & Ice Control
1051 W. 7th Street • Monroe, WI 53566
USA: 877-834-9049 • Fax: 608-329-8488
www.monroetruck.com

05090544-6
6/12/2014

Table of Contents

| | |
|---------------------------|-----|
| General Information | 2 |
| How to Order Parts | 2 |
| Return Policy | 2 |
| Safety Instructions | 3 |
| Maintenance Instructions | 6 |
| Installation Instructions | 9 |
| Operating Instructions | 10 |
| Hydraulic Schematics | 12 |
| Wiring Schematics | 11 |
| Replacement Parts | 14 |
| Warranty | 117 |

General Information

- Use only Monroe Truck Equipment O.E.M. replacement parts. Failure to do so will void the warranty.
- Location descriptions are noted in direction of travel (i.e. front, rear, left and right).
- Delivery of replacement parts is subject to our sales delivery terms.
- Replacement parts listed in this manual reflect the most common items for this product. If you do not find the part you require, please call your distributor.
- Monroe Truck Equipment reserves the right to make revisions or alterations to the parts manual at any time.

How to Order Parts

To order or inquire about replacement parts, please contact the distributor or store that the product was purchased through. To speed the information flow, please have the following information available:

- Model Number
- Serial Number
- Part Number and/or Description of the Part
- Quantity Needed

For further information about Monroe Truck Equipment replacement parts, please call 877-834-9049.

Return Policy

Merchandise returned to Monroe Truck Equipment must have a Warranty Service Request (WSR) form filled out completely and signed by authorized personnel.

To get your WSR form for whole goods, call Snow & Ice Sales at 800-880-0109.

To get your WSR form for replacement parts, call Dan Tuscan at 877-834-9049.

All returned items are subject to a 15% restocking fee and ***must be sent freight pre-paid.***

Safety Instructions

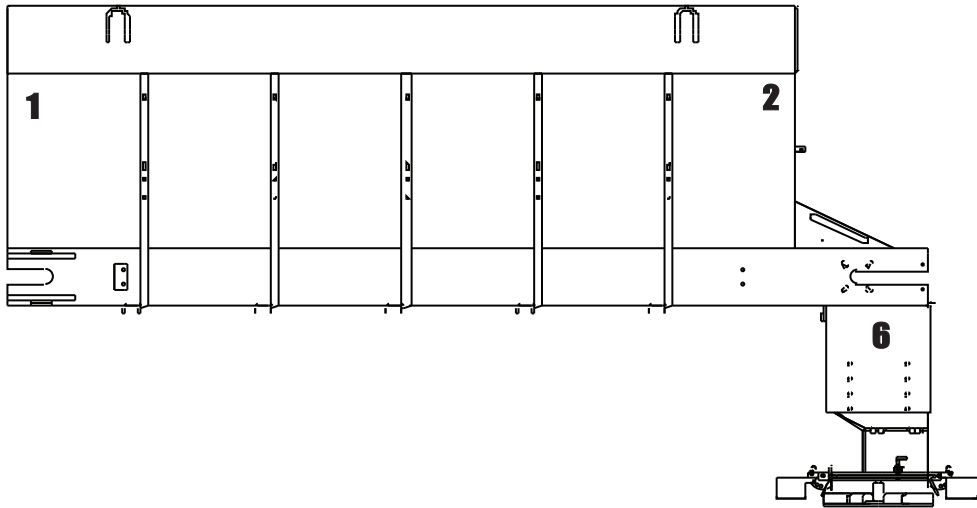
WARNING

Before working under the vehicle or around the spreader, shut off the truck engine and remove the key from the ignition. Prevent accidental startup and operation of the spreader to avoid personal injury!

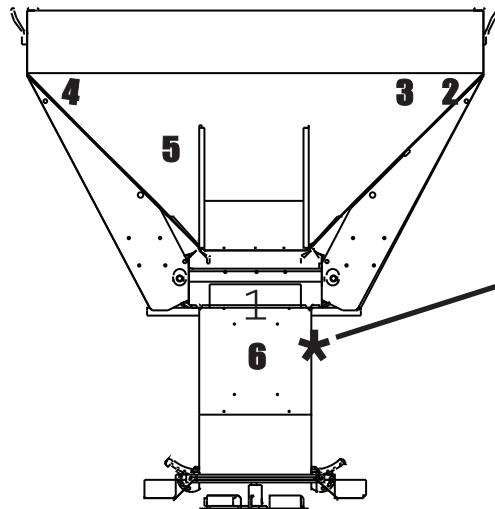
- Locate and read all safety decals on the unit before operating the equipment. Familiarize yourself with all potential hazards in operating this equipment.
- Read all installation, operation, and maintenance instructions before operating the equipment.
- Keep all provided shields, covers, and guards in place during operation of the unit.
- Stay away from moving chains, gears, and augers. Hands, feet, hair, and clothing can become entangled in moving parts, causing death or severe injury.
- Stay away from the spinner when it is rotating. The spinner can throw granular material with great force and can cause severe eye injury or blindness.
- Never enter the V-box unless the vehicle is turned off and the ignition key is removed. Follow lock-out/tag procedures for working on hazardous equipment.
- If the auger(s) or conveyor jams or the granular material is frozen in the box, shut down and lock-out/tag the engine and hydraulic system, then clean out the box to free up the augers or conveyor.
- Watch for hydraulic fluid leaks at fittings and hoses. High-pressure fluid leaks can penetrate skin and cause severe injury.
- Do not climb on the V-box unless ladders or steps are provided, especially when the unit is wet or icy.
- If the V-box needs repair or the controls are not functioning properly, repair the unit immediately. Do not continue to operate a malfunctioning unit - further and more serious damage may occur.
- If the V-box is a slide-in or temporary mount unit, unload all material from the box before removing the box from the vehicle.
- Use the provided lifting loops to remove the box from a vehicle. If the spreader is a slide-in skid unit with legs, follow all instructions for removing the unit from the vehicle.
- When storing a slide-in or temporary mount V-box for summer, locate it away from high traffic areas and block it securely so it cannot fall or be pushed over.

Safety Decal Location

DRIVER SIDE

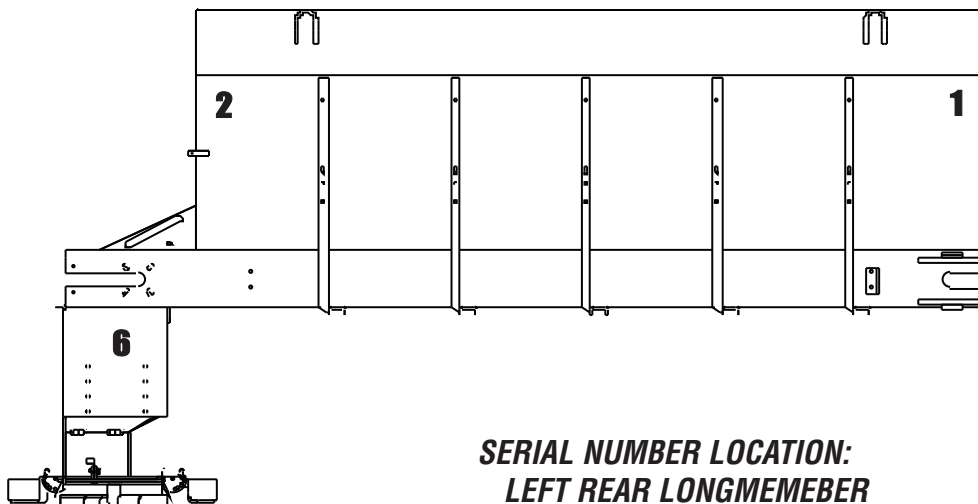


REAR VIEW



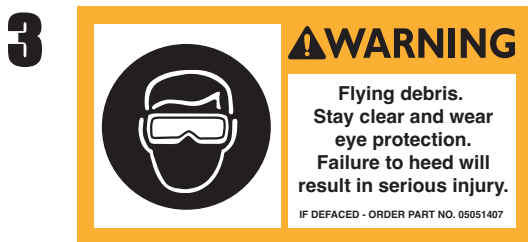
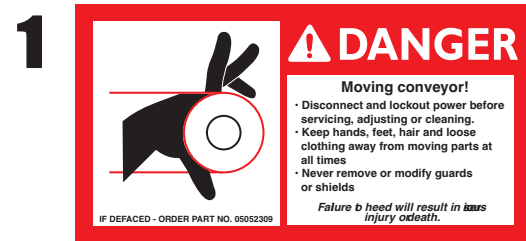
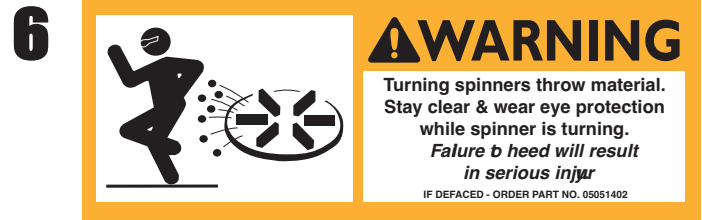
Denotes the location of the parts manual, canister and canister bracket. Reorder with the following part numbers:
05052330 Canister
05052331 Canister Bracket

PASSENGER SIDE



**SERIAL NUMBER LOCATION:
LEFT REAR LONGMEMEBER**

Safety Decal Location



Should you ever need replacement decals or parts/maintenance manuals, simply contact MTE and we will supply you with them FREE OF CHARGE. See bill of material for safety decal replacement part numbers.

Safety Decal Signal Words



DANGER (Red) indicates an imminently hazardous situation which, if not avoided, will result in death or serious injury.



WARNING (Orange) indicates a potentially hazardous situation which, if not avoided, could result in death or serious injury.



CAUTION (Yellow) indicates a potentially hazardous situation which, if not avoided, may result in minor or moderate injury.



CAUTION (Yellow) used without the safety risk alert symbol indicates a potentially hazardous situation which, if not avoided, may result in property damage.

! WARNING

Before working under the vehicle or around the spreader, shut off the truck engine and remove the key from the ignition. Prevent accidental startup and operation of the spreader to avoid personal injury!

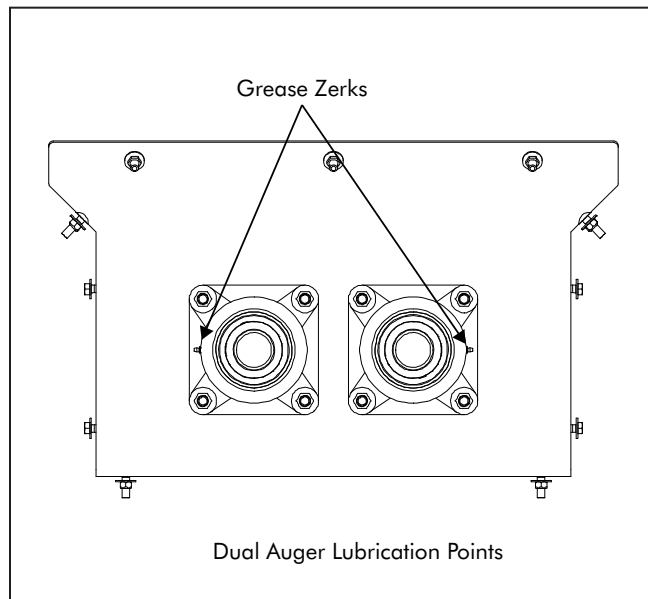
In-Season

Threaded Fasteners

- Re-torque all fasteners after the first 8 hours of use.
- Check for loose, damaged, and missing fasteners before each use.
- Inspect and re-torque all fasteners at the beginning of each snow season.

Grease Lubrication

- Lubricate grease fittings every 10 hours during normal use and more often during heavy use.
- Do not over-grease sealed bearings. Grease should not be pushed out past the seals on these bearings.



- If the hydraulic pump has a PTO driveshaft, grease the U-joints and slip joint at the same time as the other fittings.

Hydraulic System

- Tighten all hydraulic fittings after the first 8 hours of use.
- Inspect hydraulic fittings for leaks every week and tighten as required. If a hydraulic fitting continues to leak after being tightened, replace the fitting as soon as possible.
- Maintain the hydraulic oil level at the upper black line on the reservoir sight gauge. Use a high-grade, non-foaming hydraulic oil. Do not mix different types and grades of oil.
- Keep dirt and other contaminants out of the reservoir. Pour oil through filter or screen when adding oil. Never operate the system with the filler cap not installed.
- Change the hydraulic oil annually or more often if it appears milky or discolored, or if it smells burned. If the oil needs to be changed frequently, investigate for a source of contamination or system overheating.
- Change the oil filter after the first 50 hours of operation, and then every 6 months or when the pressure differential gauge indicates the filter is plugging.
- When quick-disconnects are separated, cover and cap the ends to prevent the entry of contaminants into the hydraulic system and possible impact damage to the ends.
- Inspect the hydraulic hoses for wear or damage every month.

Conveyor/Auger & Drive

- If a drive gearbox has a vent, keep the vent open and unobstructed. A blocked vent can cause seal damage.
- Check the oil level in the gearbox once a month during the in-service period.
- Change gearbox lubricant annually or more often if the oil turns milky, indicating water contamination. Use SAE 80-90 gear oil or the oil specified by the gearbox manufacturer.
- The slack on conveyor chains must be checked after the first 8 continuous hours of operation and then weekly during the in-service period. If the distance from the center of the rear sprocket and the point where the chain contacts the lower flange on the long member is less than 30", the chains must be tightened. Tighten the chains until the tension springs are compressed to approximately 5".
- Apply anti-seize lubricant to the threads on the chain adjuster bolts annually.

Routine Care

- Check the operation of the spreader before each use.
- Verify that the material gate (hopper door) jack operates smoothly through its full range.
- Verify that the conveyor runs smoothly and the spreader controller can vary the drive speed through its full range.
- Verify that the spinner runs smoothly and the spreader controller can vary the drive speed through its full range.
- Verify that the Blast function at the spreader controller is working properly (if applicable).
- If the controller uses ground speed to control the conveyor speed, verify that this function is working properly.
- Unless the vehicle is stored inside a heated building, empty the box of all granular material before parking the vehicle in freezing conditions. Wet or damp material will freeze solid inside the box, making the spreader unusable until it is thawed out.
- At the end of each storm event, remove all material from the box, then pressure-wash the underside of the chassis and the spreader, especially all horizontal surfaces.
Removing salt and other chemicals regularly will prolong the life of all components.

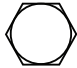


Maintenance Schedule

- Due to the harsh operating conditions of a spreader, regular inspection and maintenance is critical to safe operation and durability of the spreader. The owner or end user must create and enforce the use of an inspection and maintenance schedule.

Off Season

- Typically, the V-box spreader is removed from the vehicle and stored for the summer season.
- Remove all granular material from the box and pressure-wash it thoroughly to remove all dirt, salt, and other chemicals.
- When removing the V-box, use the supplied lifting eyes at the corners of the box (unless the V-box is a slide-in skid unit with legs).
- When hydraulic quick-disconnects are separated, cover and cap the ends to prevent the entry of contaminants into the hydraulic system and possible impact damage to the ends.
- Set the V-box on stable blocking to keep it off the ground. Remove the spinner assembly if required.
- Inspect the spreader closely for damage and make any required repairs immediately so that the spreader is ready to be reinstalled and used at the start of the next winter season.
- If possible, store the spreader indoors or under cover to reduce rusting and UV damage to hoses.
- Rust inhibitor may be applied to the chain, sprockets, and shafts to reduce rusting during storage.
- When reinstalling the spreader, replace any damaged fasteners and follow the fastener torqueing guidelines for in-season use.

Torque Chart

| SIZE |  GRADE 2 |  GRADE 5 |  GRADE 8 |
|---------|---|---|--|
| 1/4-20 | 50 IN-LBS | 75 IN-LBS | 9 FT-LBS |
| 3/8-16 | 15 FT-LBS | 23 FT-LBS | 35 FT-LBS |
| 1/2-13 | 35 FT-LBS | 55 FT-LBS | 80 FT-LBS |
| 5/8-11 | 75 FT-LBS | 110 FT-LBS | 170 FT-LBS |
| 3/4-10 | 130 FT-LBS | 200 FT-LBS | 280 FT-LBS |
| 1-8 | 190 FT-LBS | 480 FT-LBS | 680 FT-LBS |
| 1 1/4-7 | 380 FT-LBS | 840 FT-LBS | 1,360 FT-LBS |

Hydraulic Trouble Shooting Chart

| | |
|---|---|
| <p>CONDITION 1 Pump cavitation recognized by excessive noise.</p> <p>CAUSE</p> <ul style="list-style-type: none"> • Air entering system through suction lines. • Suction line kinked, twisted or too long. • Inadequate size suction line. • Oil too heavy. • Excessive pump speed. <p>CORRECTION</p> <ul style="list-style-type: none"> • Check line from reservoir for possible leaks. • Install suction line as short and straight as possible. • Increase suction line size. • Drain and replace with a low viscosity non-detergent oil. • Decrease PTO speed accordingly. | <p>CONDITION 2 Erratic operation of conveyor and/or spinner.</p> <p>CAUSE</p> <ul style="list-style-type: none"> • Low oil. • Worn or defective motor. • Dirty, worn or defective flow control valve. • Plugged filter. • Relief valve setting too low. • Pump cavitation. • Air vent on reservoir tank is blocked. <p>CORRECTION</p> <ul style="list-style-type: none"> • Fill reservoir to a $\frac{3}{4}$ full level. • Repair or replace motor.* • Clean, repair or replace flow control.* • Replace filter element and clean filter. • Adjust relief valve for 1500 PSI. • Refer to pump section. • Clean or replace vent cap to admit atmospheric pressure to inside of the tank. |
| <p>CONDITION 3 Slow operation of conveyor and/or spinner.</p> <p>CAUSE</p> <ul style="list-style-type: none"> • Worn or defective pump. • Worn or defective motor. • Pump cavitation. • Insufficient pump speed. <p>CORRECTION</p> <ul style="list-style-type: none"> • Repair or replace pump.* • Repair or replace motor.* • Refer to pump section. • Increase PTO accordingly. | <p>CONDITION 4 Conveyor and/or spinner will not operate.</p> <p>CAUSE</p> <ul style="list-style-type: none"> • Quick disconnects are dirty, damaged, or improperly connected. • Hose connections wrong. • Foreign material in valve compensator. <p>CORRECTION</p> <ul style="list-style-type: none"> • Clean or replace and properly connect. • Refer to illustration. • Remove compensator and clean. |

Installation Instructions

PERMANENT CHASSIS MOUNT

1. Hardwood wear strips usually 1 x 3 (not furnished) must be fitted to the truck chassis.
2. The V-Box should be positioned on the wooden wear strips so that a distance of approximately 6" should be left between the truck cab and the front of the V-Box. This will help facilitate any future servicing of the conveyor chain.
3. Parts of some side gussets may have to be cut out to clear the truck tires.
4. Hardware kits for permanent mount V-Boxes are used to attach the V-Box to the truck chassis.
5. **DO NOT** weld mounting angles to the truck frame. Doing so can cause fatigue-cracking of the truck frame.

SLIP-IN V-BOXES

1. Remove and store the dump box tailgate.
2. Place the V-Box in the dump body and push as far forward as possible. Longmembers must overhang the rear by approximately 22". If the dump body is not flat, it is suggested that the V-Box be placed on two 1 x 6 hardwood boards. This will help to evenly distribute the weight of the loaded V-Box on all of the cross channels.
3. The spinner assembly is slid into place on the rear of the spreader. The top flanges of the spinner extension box rest on top of the bottom flanges of the spreader main and can be slid into place. Use the 4 bolts to attach the spinner to the v-box.
4. The four **optional** tie-down bolts are hooked into the holes in the body side gussets (two on each side). The tie-down clips are slipped under the rail of the dump box or welded and the nut and jam nut tightened. An **optional** tailgate latch kit should also be installed.

NOTE: If swing-up spinner is used, longmembers must overhang rear of dump body a minimum of approximately 22".

Operating Instructions

CAUTION:

- When starting up new equipment, be sure everyone is standing clear, watch for anything that may require shutting system down.
- Be sure the On/Off control is completely to the OFF position before working in or around spreading equipment.

INITIAL START UP:

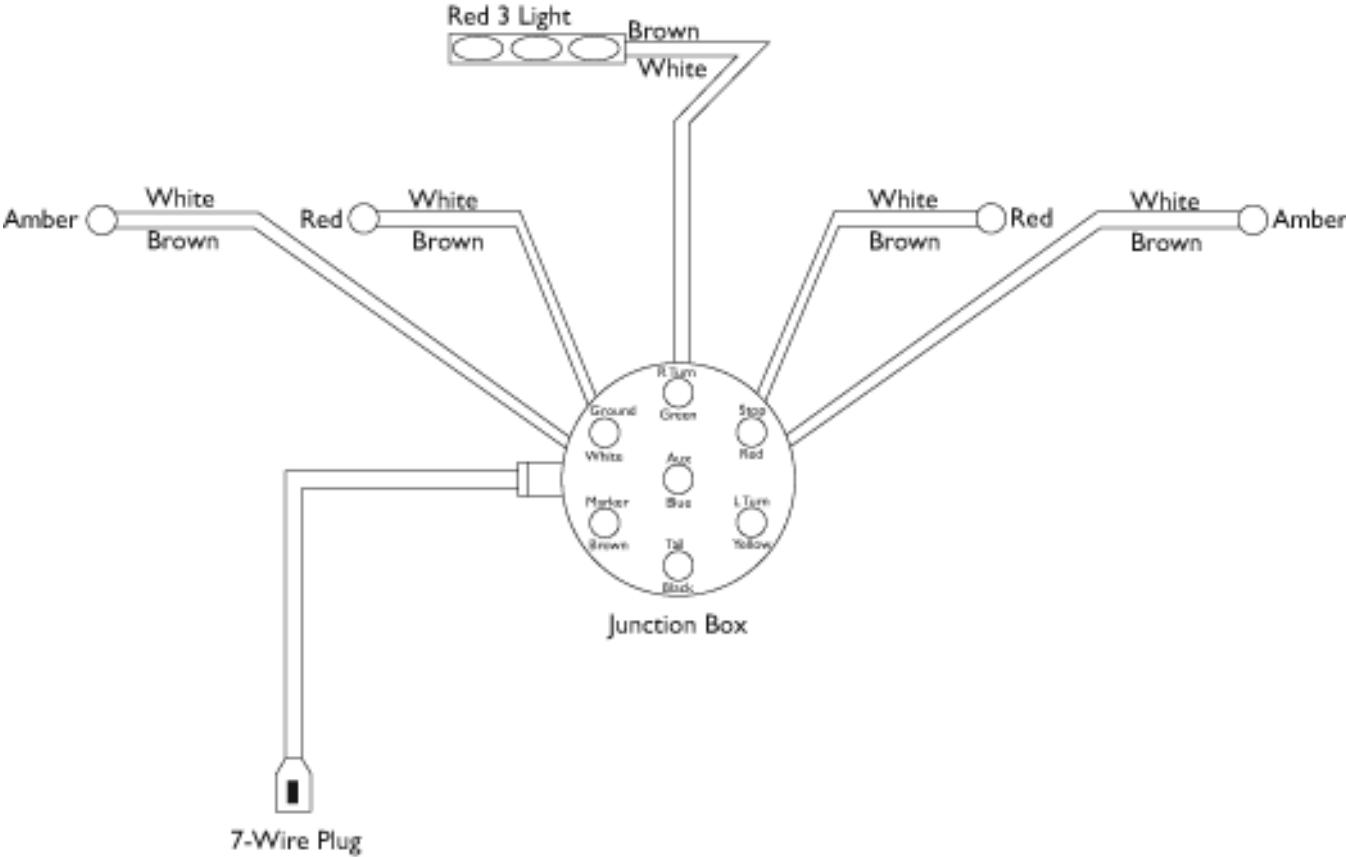
1. Fill reservoir about $\frac{3}{4}$ full with high-grade non-foaming hydraulic oil. **KEEP OIL CLEAN!**
2. Move valve on-off control to OFF position.
3. Open conveyor and spinner control on valve.
4. Engage PTO and allow hydraulic oil to circulate several minutes to warm up.
5. Move valve on-off control to ON position.
6. Check entire hydraulic system for leaks.
7. Examine conveyor and spinner to see if they are running in right direction.
8. Fill reservoir to $\frac{3}{4}$ full.
9. Hydraulic system is ready for use.

SPREADER OPERATION:

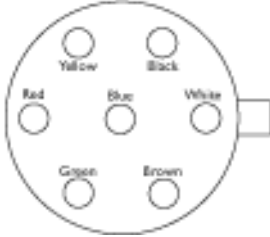
1. Start truck engine and allow hydraulic system to warm up by shutting off spinner and conveyor control and moving on-off control to ON position.
2. Operating the control marked "spinner" will increase the spinner speed and width of spread.
3. Operating the control marked "conveyor" will increase the conveyor speed and thus the amount of material spread.
4. The gate on the rear of the box will also allow more material to pass to the spinner when opened wider.
5. The spread pattern can be controlled by rotating the entire spinner chute assembly 180°. If the material is dropped on the front of the disc (**top mounted motor in front**) it will be spread behind and to the right of the truck. If material is dropped on the rear of the disc (**top mounted motor in rear**) it will be spread behind and to the left of the truck. The baffles inside the assembly will also further control the pattern left to right. Experimenting with the different positions will help to adjust the spread pattern as desired.
6. The control valve may be turned on and off or adjusted while truck is in motion.
7. Spinner and conveyor may be stopped at the same time without changing their valve settings by moving the on-off control to OFF position.

Optional Wiring Schematic

Install the lights and connect the wiring using the diagram below.

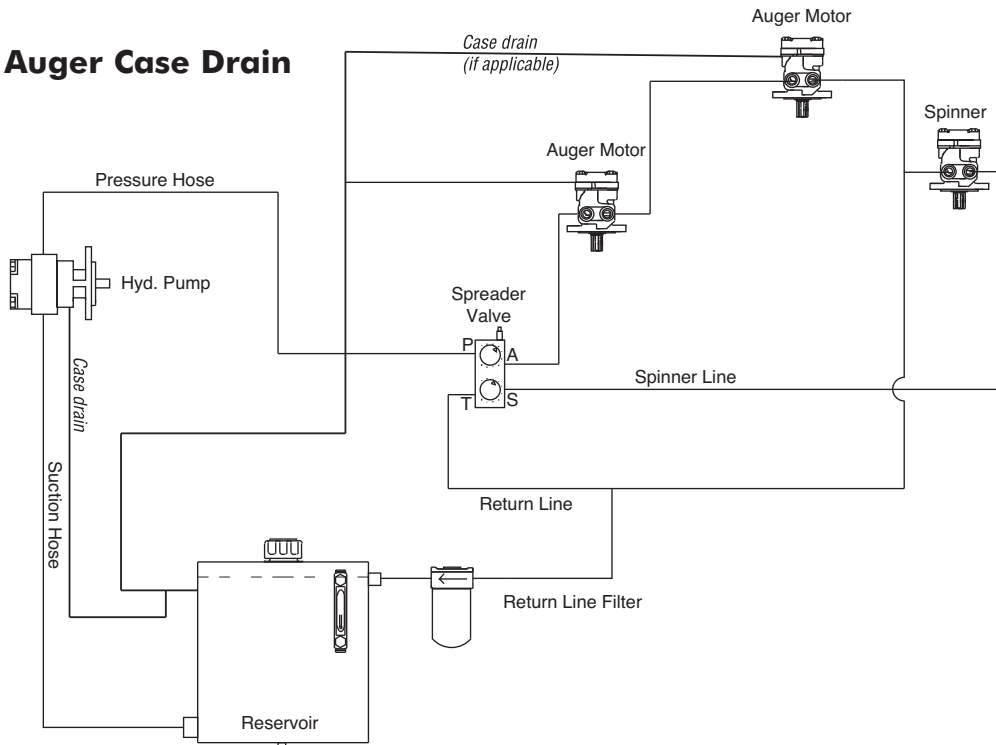


Matching View
Cole Hersee Plug



Hydraulic Schematics

Dual Auger Case Drain



Proper Installation of Hydraulic Pump and Motor Case Drain:

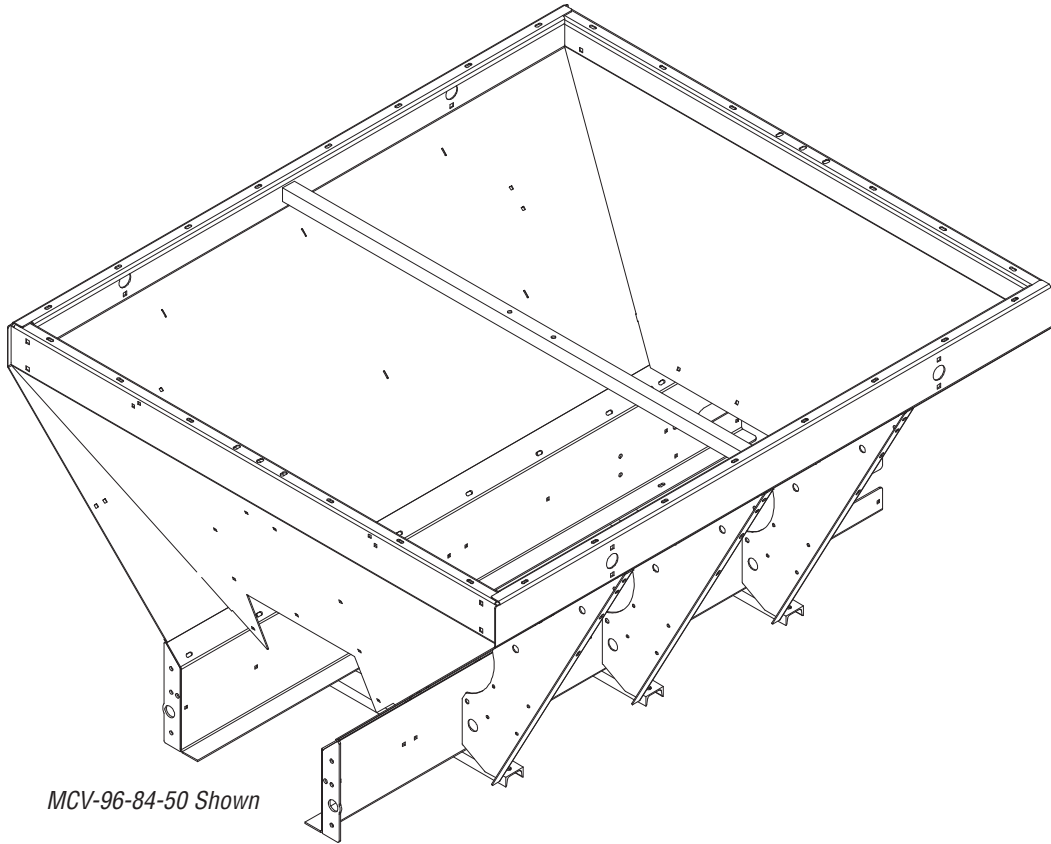
External case drains on pumps or motors must be plumbed separately back to the oil tank. The case drain flow must enter the tank through a dedicated tank penetration; it must not pass through the return filter or tee into any other oil return circuit.

Case drain flows should not pass through the return filter due to the possibility of high differential pressure at the filter. High D/P when the hydraulic fluid is cold and/or due to poor maintenance of the filter can raise the return circuit pressure high enough to damage the pump/motor internals. (The lack of filtration of the case drain flow is not considered an issue due to the small volume passing through the pump or motor. If a filter is added to the case drain circuit, the filter element should be rated at no less than 125 micron.)

Ideally, the case drain penetration should be higher than the pump/motor case port and should be connected to a drop-pipe inside the reservoir that extends below minimum fluid level.

Design and detailing of a hydraulic system using pumps and/or motors with external case drains must include required oil tank penetrations, hose and labor for creating dedicated drain return circuits, and quick disconnects for the drain returns as required.

Notes



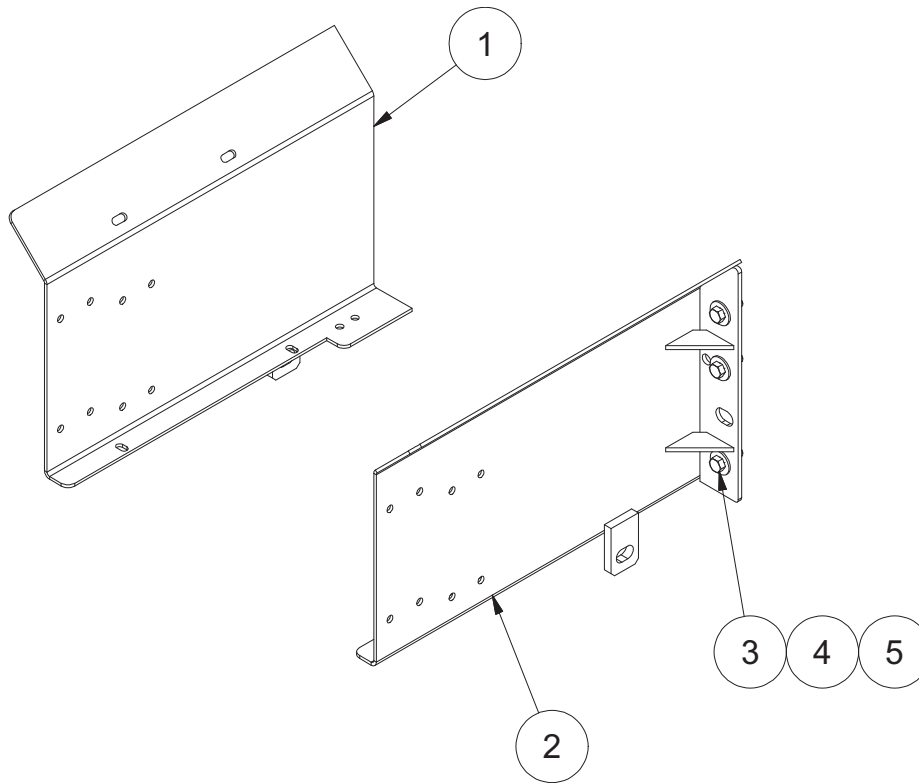
MCV-96-84-50 Shown

| MCV HOPPER WELDMENTS | | | |
|-----------------------------|-----------------------|--------------------------------|------------------|
| DESCRIPTION | PN# MILD STEEL | PN# 304 STAINLESS STEEL | PN# AUSST |
| MCV-96-84-50 | 00143490-A | 00143490-B | 00143490-C |
| MCV-96-84-56 | 00143491-A | 00143491-B | 00143491-C |
| MCV-108-84-50 | 00143492-A | 00143492-B | 00143492-C |
| MCV-108-84-56 | 00143493-A | 00143493-B | 00143493-C |
| MCV-120-84-50 | 00131226-A | 00131226-B | 00131226-C |
| MCV-120-84-56 | 00136568-A | 00136568-B | 00136568-C |
| MCV-120-84-62 | 00143826-A | 00143826-B | 00143826-C |
| MCV-120-84-68 | 00143827-A | 00143827-B | 00143827-C |
| MCV-132-84-50 | 00133487-A | 00133487-B | 00133487-C |
| MCV-132-84-56 | 00143494-A | 00143494-B | 00143494-C |
| MCV-132-84-62 | 00143828-A | 00143828-B | 00143828-C |
| MCV-132-84-68 | 00143829-A | 00143829-B | 00143829-C |

MCV HOPPER WELDMENTS

| <i>DESCRIPTION</i> | <i>PN# MILD STEEL</i> | <i>PN# 304 STAINLESS STEEL</i> | <i>PN# AUSST</i> |
|----------------------|-----------------------|--------------------------------|------------------|
| MCV-144-84-50 | 00143495-A | 00143495-B | 00143495-C |
| MCV-144-84-56 | 00137767-A | 00137767-B | 00137767-C |
| MCV-144-84-62 | 00143830-A | 00143830-B | 00143830-C |
| MCV-144-84-68 | 00143831-A | 00143831-B | 00143831-C |
| MCV-156-84-50 | 00138045-A | 00138045-B | 00138045-C |
| MCV-156-84-56 | 00141972-A | 00141972-B | 00141972-C |
| MCV-156-84-62 | 00143832-A | 00143832-B | 00143832-C |
| MCV-156-84-68 | 00143833-A | 00143833-B | 00143833-C |
| MCV-168-84-50 | 00139339-A | 00139339-B | 00139339-C |
| MCV-168-84-56 | 00143496-A | 00143496-B | 00143496-C |
| MCV-168-84-62 | 00143834-A | 00143834-B | 00143834-C |
| MCV-168-84-68 | 00143835-A | 00143835-B | 00143835-C |
| MCV-180-84-50 | 00143497-A | 00143497-B | 00143497-C |
| MCV-180-84-56 | 00143498-A | 00143498-B | 00143498-C |
| MCV-180-84-62 | 00143836-A | 00143836-B | 00143836-C |
| MCV-180-84-68 | 00143837-A | 00143837-B | 00143837-C |
| MCV-192-84-50 | 00143809-A | 00143809-B | 00143809-C |
| MCV-192-84-56 | 00143810-A | 00143810-B | 00143810-C |
| MCV-192-84-62 | 00143838-A | 00143838-B | 00143838-C |
| MCV-192-84-68 | 00143839-A | 00143839-B | 00143839-C |
| MCV-204-84-50 | 00143811-A | 00143811-B | 00143811-C |
| MCV-204-84-56 | 00143812-A | 00143812-B | 00143812-C |
| MCV-204-84-62 | 00143840-A | 00143840-B | 00143840-C |
| MCV-204-84-68 | 00143841-A | 00143841-B | 00143841-C |
| MCV-216-84-50 | 00143813-A | 00143813-B | 00143813-C |
| MCV-216-84-56 | 00143814-A | 00143814-B | 00143814-C |
| MCV-216-84-62 | 00143842-A | 00143842-B | 00143842-C |
| MCV-216-84-68 | 00143843-A | 00143843-B | 00143843-C |

TAIL KIT



00132431 TAIL KIT, LMBR, MCV, AUG, BOLT-ON

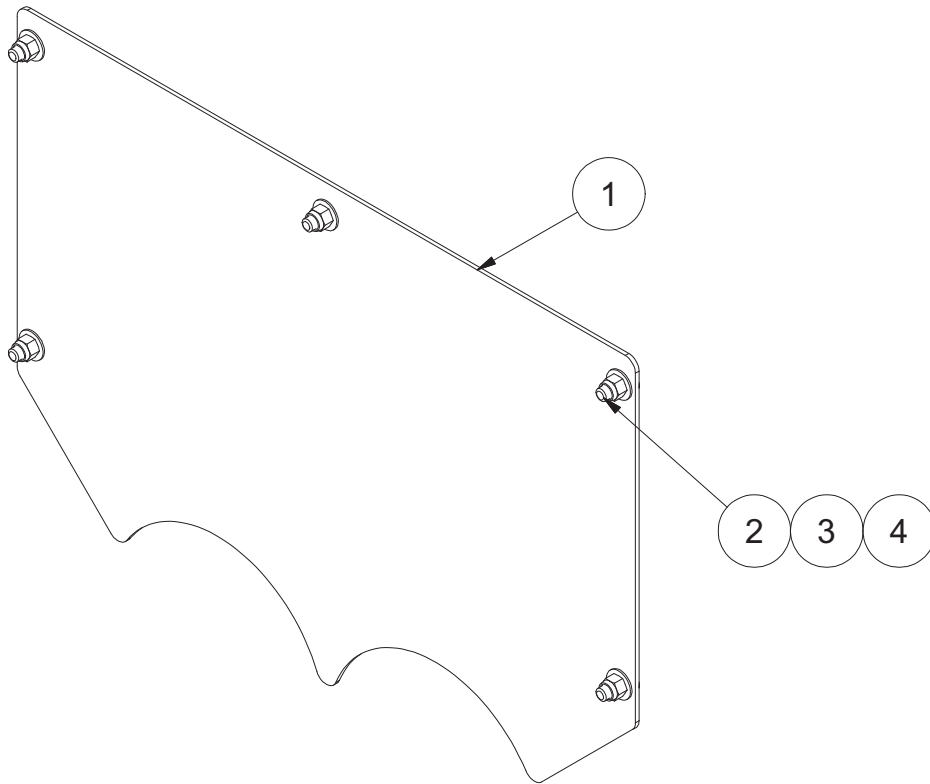
| Item | Qty. | Part Number | Description |
|------|------|--|---|
| 1 | 1 | 00131234-A 00131234-B 00131234-C | TAIL WELDMENT, LMBR, MCV, AUG, LH, MS TAIL WELDMENT, LMBR, MCV, AUG, LH, 304 SST TAIL WELDMENT, LMBR, MCV, AUG, LH, AUSST |
| 2 | 1 | 00131235-A 00131235-B 00131235-C | TAIL WELDMENT, LMBR, MCV, AUG, RH, MS TAIL WELDMENT, LMBR, MCV, AUG, RH, 304 SST TAIL WELDMENT, LMBR, MCV, AUG, RH, AUSST |
| 3 | 6 | 05010691 05016096 | BOLT, .5-13 X 1.50, G8, HHCS, ZINC BOLT, .5-13 X 1.5, HHCS, SST |
| 4 | 6 | 05020847 05020908 | NUT, .5-13, GC, TOP LOCK, C&W NUT, .5-13, NYLON LOCK, 316 SST |
| 5 | 12 | 05021309 05021391 | WASHER, .5, FLAT, ZINC WASHER, .5, FLAT, SST |

00139317 TAIL KIT, LMBR, MCV, AUG, BOLT-ON Y-CHUTE SPINNER

| Item | Qty. | Part Number | Description |
|------|------|--|---|
| 1 | 1 | 00139315-A 00139315-B 00139315-C | TAIL WELDMENT, LMBR, MCV, AUG, LH, MS TAIL WELDMENT, LMBR, MCV, AUG, LH, 304 SST TAIL WELDMENT, LMBR, MCV, AUG, LH, AUSST |
| 2 | 1 | 00139316-A 00139316-B 00139316-C | TAIL WELDMENT, LMBR, MCV, AUG, RH, MS TAIL WELDMENT, LMBR, MCV, AUG, RH, 304 SST TAIL WELDMENT, LMBR, MCV, AUG, RH, AUSST |
| 3 | 6 | 05010691 05016096 | BOLT, .5-13 X 1.50, G8, HHCS, ZINC BOLT, .5-13 X 1.5, HHCS, SST |
| 4 | 6 | 05020847 05020908 | NUT, .5-13, GC, TOP LOCK, C&W NUT, .5-13, NYLON LOCK, 316 SST |
| 5 | 12 | 05021309 05021391 | WASHER, .5, FLAT, ZINC WASHER, .5, FLAT, SST |

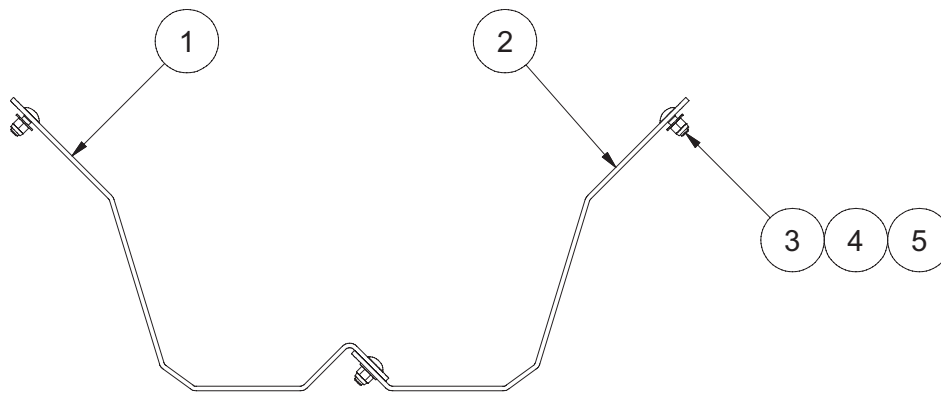
00135085 TAIL KIT, LMBR, MCV, AUG, COMBO

| Item | Qty. | Part Number | Description |
|------|------|--|---|
| 1 | 1 | 00135082-A 00135082-B 00135082-C | TAIL WELDMENT, LMBR, MCV, AUG, LH, MS TAIL WELDMENT, LMBR, MCV, AUG, LH, 304 SST TAIL WELDMENT, LMBR, MCV, AUG, LH, AUSST |
| 2 | 1 | 00135083-A 00135083-B 00135083-C | TAIL WELDMENT, LMBR, MCV, AUG, RH, MS TAIL WELDMENT, LMBR, MCV, AUG, RH, 304 SST TAIL WELDMENT, LMBR, MCV, AUG, RH, AUSST |
| 3 | 6 | 05010691 05016096 | BOLT, .5-13 X 1.50, G8, HHCS, ZINC BOLT, .5-13 X 1.5, HHCS, SST |
| 4 | 6 | 05020847 05020908 | NUT, .5-13, GC, TOP LOCK, C&W NUT, .5-13, NYLON LOCK, 316 SST |
| 5 | 12 | 05021309 05021391 | WASHER, .5, FLAT, ZINC WASHER, .5, FLAT, SST |



00132414 COVER PANEL KIT, MCV, DUAL AUG

| Item | Qty | Part Number | Description |
|------|-----|--|---|
| 1 | 1 | 00131242-A 00131242-B 00131242-C | COVER PLATE, RR PANEL, MCV, DUAL AUG, MS COVER PLATE, RR PANEL, MCV, DUAL AUG, 304 COVER PLATE, RR PANEL, MCV, DUAL AUG, AUST |
| 2 | 5 | 05013986 05016003 | BOLT, .375-16 X 1, G5, CARRIAGE, ZINC BOLT, .375-16 X 1, CARRIAGE, SST |
| 3 | 5 | 05020898 05020891 | NUT, .375-16, GC, TOP LOCK, C&W NUT, .375-16, NYLON LOCK, 316 SST |
| 4 | 5 | 05021307 05021390 | WASHER, .375, FLAT, ZINC WASHER, .375, FLAT, SST |



00133468 TROUGH KIT, DUAL AUGER, MCV, 8'

| Item | Qty | Part Number | Description |
|------|-----|--|---|
| 1 | 1 | 00133466-A 00133466-B 00133466-C | TROUGH HALF, DUAL AUG, MCV, 8', LH, MS TROUGH HALF, DUAL AUG, MCV, 8', LH, 304SST TROUGH HALF, DUAL AUG, MCV, 8', LH, AUSST |
| 2 | 1 | 00133467-A 00133467-B 00133467-C | TROUGH HALF, DUAL AUG, MCV, 8', RH, MS TROUGH HALF, DUAL AUG, MCV, 8', RH, 304SST TROUGH HALF, DUAL AUG, MCV, 8', RH, AUSST |
| 3 | 34 | 05013987 05016746 | BOLT, .375-16 X 1.25, G5, CARRIAGE, ZINC BOLT, .375-16 X 1.25, CARRIAGE,SST |
| 4 | 34 | 05020912 05020891 | NUT, .375-16, G8, NYLON LOCK, ZINC NUT, .375-16, NYLON LOCK, 316 SST |
| 5 | 34 | 05021307 05021390 | WASHER, .375, FLAT, ZINC WASHER, .375, FLAT, SST |

00133618 TROUGH KIT, DUAL AUGER, MCV, 9'

| Item | Qty | Part Number | Description |
|------|-----|--|---|
| 1 | 1 | 00133600-A 00133600-B 00133600-C | TROUGH HALF, DUAL AUG, MCV, 9', LH, MS TROUGH HALF, DUAL AUG, MCV, 9', LH, 304SST TROUGH HALF, DUAL AUG, MCV, 9', LH, AUSST |
| 2 | 1 | 00133609-A 00133609-B 00133609-C | TROUGH HALF, DUAL AUG, MCV, 9', RH, MS TROUGH HALF, DUAL AUG, MCV, 9', RH, 304SST TROUGH HALF, DUAL AUG, MCV, 9', RH, AUSST |
| 3 | 38 | 05013987 05016746 | BOLT, .375-16 X 1.25, G5, CARRIAGE, ZINC BOLT, .375-16 X 1.25, CARRIAGE,SST |
| 4 | 38 | 05020912 05020891 | NUT, .375-16, G8, NYLON LOCK, ZINC NUT, .375-16, NYLON LOCK, 316 SST |
| 5 | 38 | 05021307 05021390 | WASHER, .375, FLAT, ZINC WASHER, .375, FLAT, SST |

00132382 TROUGH KIT, DUAL AUGER, MCV, 10'

| Item | Qty | Part Number | Description |
|------|-----|--|--|
| 1 | 1 | 00132380-A 00132380-B 00132380-C | TROUGH HALF, DUAL AUG, MCV, 10', LH, MS TROUGH HALF, DUAL AUG, MCV, 10', LH, 304SST TROUGH HALF, DUAL AUG, MCV, 10', LH, AUSST |
| 2 | 1 | 00132381-A 00132381-B 00132381-C | TROUGH HALF, DUAL AUG, MCV, 10', RH, MS TROUGH HALF, DUAL AUG, MCV, 10', RH, 304SST TROUGH HALF, DUAL AUG, MCV, 10', RH, AUSST |
| 3 | 42 | 05013987 05016746 | BOLT, .375-16 X 1.25, G5, CARRIAGE, ZINC BOLT, .375-16 X 1.25, CARRIAGE,SST |
| 4 | 42 | 05020912 05020891 | NUT, .375-16, G8, NYLON LOCK, ZINC NUT, .375-16, NYLON LOCK, 316 SST |
| 5 | 42 | 05021307 05021390 | WASHER, .375, FLAT, ZINC WASHER, .375, FLAT, SST |

00133619 TROUGH KIT, DUAL AUGER, MCV, 11'

| Item | Qty | Part Number | Description |
|------|-----|-------------|---|
| 1 | 1 | 00133601-A | TROUGH HALF, DUAL AUG, MCV, 11', LH, MS |
| | | 00133601-B | TROUGH HALF, DUAL AUG, MCV, 11', LH, 304SST |
| | | 00133601-C | TROUGH HALF, DUAL AUG, MCV, 11', LH, AUSST |
| 2 | 1 | 00133610-A | TROUGH HALF, DUAL AUG, MCV, 11', RH, MS |
| | | 00133610-B | TROUGH HALF, DUAL AUG, MCV, 11', RH, 304SST |
| | | 00133610-C | TROUGH HALF, DUAL AUG, MCV, 11', RH, AUSST |
| 3 | 46 | 05013987 | BOLT, .375-16 X 1.25, G5, CARRIAGE, ZINC |
| | | 05016746 | BOLT, .375-16 X 1.25, CARRIAGE,SST |
| 4 | 46 | 05020912 | NUT, .375-16, G8, NYLON LOCK, ZINC |
| | | 05020891 | NUT, .375-16, NYLON LOCK, 316 SST |
| 5 | 46 | 05021307 | WASHER, .375, FLAT, ZINC |
| | | 05021390 | WASHER, .375, FLAT, SST |

00133620 TROUGH KIT, DUAL AUGER, MCV, 12'

| Item | Qty | Part Number | Description |
|------|-----|-------------|---|
| 1 | 1 | 00133602-A | TROUGH HALF, DUAL AUG, MCV, 12', LH, MS |
| | | 00133602-B | TROUGH HALF, DUAL AUG, MCV, 12', LH, 304SST |
| | | 00133602-C | TROUGH HALF, DUAL AUG, MCV, 12', LH, AUSST |
| 2 | 1 | 00133611-A | TROUGH HALF, DUAL AUG, MCV, 12', RH, MS |
| | | 00133611-B | TROUGH HALF, DUAL AUG, MCV, 12', RH, 304SST |
| | | 00133611-C | TROUGH HALF, DUAL AUG, MCV, 12', RH, AUSST |
| 3 | 50 | 05013987 | BOLT, .375-16 X 1.25, G5, CARRIAGE, ZINC |
| | | 05016746 | BOLT, .375-16 X 1.25, CARRIAGE,SST |
| 4 | 50 | 05020912 | NUT, .375-16, G8, NYLON LOCK, ZINC |
| | | 05020891 | NUT, .375-16, NYLON LOCK, 316 SST |
| 5 | 50 | 05021307 | WASHER, .375, FLAT, ZINC |
| | | 05021390 | WASHER, .375, FLAT, SST |

00133621 TROUGH KIT, DUAL AUGER, MCV, 13'

| Item | Qty | Part Number | Description |
|------|-----|-------------|---|
| 1 | 1 | 00133603-A | TROUGH HALF, DUAL AUG, MCV, 13', LH, MS |
| | | 00133603-B | TROUGH HALF, DUAL AUG, MCV, 13', LH, 304SST |
| | | 00133603-C | TROUGH HALF, DUAL AUG, MCV, 13', LH, AUSST |
| 2 | 1 | 00133612-A | TROUGH HALF, DUAL AUG, MCV, 13', RH, MS |
| | | 00133612-B | TROUGH HALF, DUAL AUG, MCV, 13', RH, 304SST |
| | | 00133612-C | TROUGH HALF, DUAL AUG, MCV, 13', RH, AUSST |
| 3 | 54 | 05013987 | BOLT, .375-16 X 1.25, G5, CARRIAGE, ZINC |
| | | 05016746 | BOLT, .375-16 X 1.25, CARRIAGE,SST |
| 4 | 54 | 05020912 | NUT, .375-16, G8, NYLON LOCK, ZINC |
| | | 05020891 | NUT, .375-16, NYLON LOCK, 316 SST |
| 5 | 54 | 05021307 | WASHER, .375, FLAT, ZINC |
| | | 05021390 | WASHER, .375, FLAT, SST |

00133622 TROUGH KIT, DUAL AUGER, MCV, 14'

| Item | Qty | Part Number | Description |
|------|-----|--|--|
| 1 | 1 | 00133604-A 00133604-B 00133604-C | TROUGH HALF, DUAL AUG, MCV, 14', LH, MS TROUGH HALF, DUAL AUG, MCV, 14', LH, 304SST TROUGH HALF, DUAL AUG, MCV, 14', LH, AUSST |
| 2 | 1 | 00133613-A 00133613-B 00133613-C | TROUGH HALF, DUAL AUG, MCV, 14', RH, MS TROUGH HALF, DUAL AUG, MCV, 14', RH, 304SST TROUGH HALF, DUAL AUG, MCV, 14', RH, AUSST |
| 3 | 58 | 05013987 05016746 | BOLT, .375-16 X 1.25, G5, CARRIAGE, ZINC BOLT, .375-16 X 1.25, CARRIAGE,SST |
| 4 | 58 | 05020912 05020891 | NUT, .375-16, G8, NYLON LOCK, ZINC NUT, .375-16, NYLON LOCK, 316 SST |
| 5 | 58 | 05021307 05021390 | WASHER, .375, FLAT, ZINC WASHER, .375, FLAT, SST |

00133623 TROUGH KIT, DUAL AUGER, MCV, 15'

| Item | Qty | Part Number | Description |
|------|-----|--|--|
| 1 | 1 | 00133605-A 00133605-B 00133605-C | TROUGH HALF, DUAL AUG, MCV, 15', LH, MS TROUGH HALF, DUAL AUG, MCV, 15', LH, 304SST TROUGH HALF, DUAL AUG, MCV, 15', LH, AUSST |
| 2 | 1 | 00133614-A 00133614-B 00133614-C | TROUGH HALF, DUAL AUG, MCV, 15', RH, MS TROUGH HALF, DUAL AUG, MCV, 15', RH, 304SST TROUGH HALF, DUAL AUG, MCV, 15', RH, AUSST |
| 3 | 62 | 05013987 05016746 | BOLT, .375-16 X 1.25, G5, CARRIAGE, ZINC BOLT, .375-16 X 1.25, CARRIAGE,SST |
| 4 | 62 | 05020912 05020891 | NUT, .375-16, G8, NYLON LOCK, ZINC NUT, .375-16, NYLON LOCK, 316 SST |
| 5 | 62 | 05021307 05021390 | WASHER, .375, FLAT, ZINC WASHER, .375, FLAT, SST |

00133624 TROUGH KIT, DUAL AUGER, MCV, 16'

| Item | Qty | Part Number | Description |
|------|-----|--|--|
| 1 | 1 | 00133606-A 00133606-B 00133606-C | TROUGH HALF, DUAL AUG, MCV, 16', LH, MS TROUGH HALF, DUAL AUG, MCV, 16', LH, 304SST TROUGH HALF, DUAL AUG, MCV, 16', LH, AUSST |
| 2 | 1 | 00133615-A 00133615-B 00133615-C | TROUGH HALF, DUAL AUG, MCV, 16', RH, MS TROUGH HALF, DUAL AUG, MCV, 16', RH, 304SST TROUGH HALF, DUAL AUG, MCV, 16', RH, AUSST |
| 3 | 66 | 05013987 05016746 | BOLT, .375-16 X 1.25, G5, CARRIAGE, ZINC BOLT, .375-16 X 1.25, CARRIAGE,SST |
| 4 | 66 | 05020912 05020891 | NUT, .375-16, G8, NYLON LOCK, ZINC NUT, .375-16, NYLON LOCK, 316 SST |
| 5 | 66 | 05021307 05021390 | WASHER, .375, FLAT, ZINC WASHER, .375, FLAT, SST |

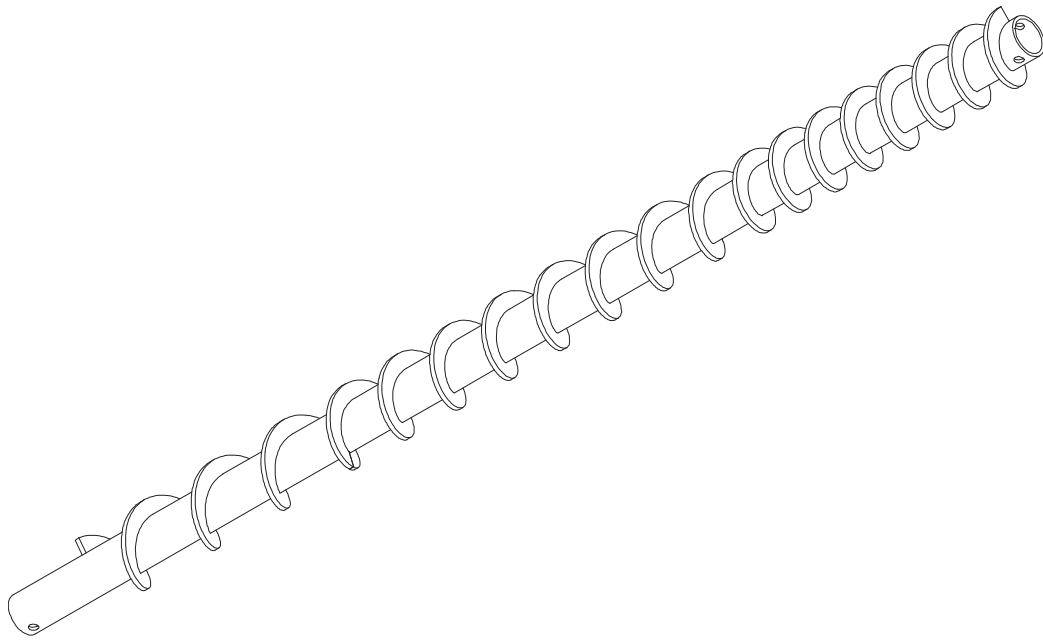
00133625 TROUGH KIT, DUAL AUGER, MCV, 17'

| Item | Qty | Part Number | Description |
|------|-----|--|--|
| 1 | 1 | 00137798-A 00137798-B 00137798-C | TROUGH HALF, DUAL AUG, MCV, 17', RH, MS TROUGH HALF, DUAL AUG, MCV, 17', RH, 304SST TROUGH HALF, DUAL AUG, MCV, 17', RH, AUSST |
| 2 | 1 | 00137799-A 00137799-B 00137799-C | TROUGH HALF, DUAL AUG, MCV, 17', LH, MS TROUGH HALF, DUAL AUG, MCV, 17', LH, 304SST TROUGH HALF, DUAL AUG, MCV, 17', LH, AUSST |
| 3 | 70 | 05013987 05016746 | BOLT, .375-16 X 1.25, G5, CARRIAGE, ZINC BOLT, .375-16 X 1.25, CARRIAGE,SST |
| 4 | 70 | 05020912 05020891 | NUT, .375-16, G8, NYLON LOCK, ZINC NUT, .375-16, NYLON LOCK, 316 SST |
| 5 | 70 | 05021307 05021390 | WASHER, .375, FLAT, ZINC WASHER, .375, FLAT, SST |

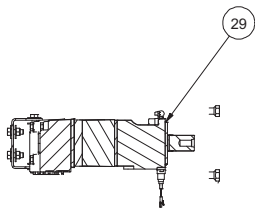
00133626 TROUGH KIT, DUAL AUGER, MCV, 18'

| Item | Qty | Part Number | Description |
|------|-----|--|--|
| 1 | 1 | 00143816-A 00143816-B 00143816-C | TROUGH HALF, DUAL AUG, MCV, 18', RH, MS TROUGH HALF, DUAL AUG, MCV, 18', RH, 304SST TROUGH HALF, DUAL AUG, MCV, 18', RH, AUSST |
| 2 | 1 | 00143817-A 00143817-B 00143817-C | TROUGH HALF, DUAL AUG, MCV, 18',LH, MS TROUGH HALF, DUAL AUG, MCV, 18',LH, 304SST TROUGH HALF, DUAL AUG, MCV, 18',LH, AUSST |
| 3 | 74 | 05013987 05016746 | BOLT, .375-16 X 1.25, G5, CARRIAGE, ZINC BOLT, .375-16 X 1.25, CARRIAGE,SST |
| 4 | 74 | 05020912 05020891 | NUT, .375-16, G8, NYLON LOCK, ZINC NUT, .375-16, NYLON LOCK, 316 SST |
| 5 | 74 | 05021307 05021390 | WASHER, .375, FLAT, ZINC WASHER, .375, FLAT, SST |

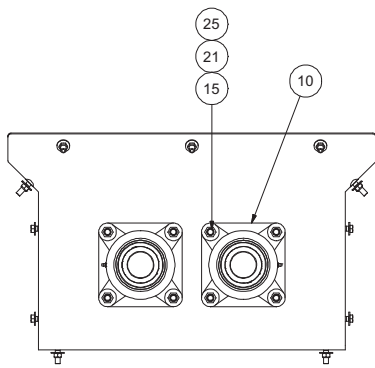
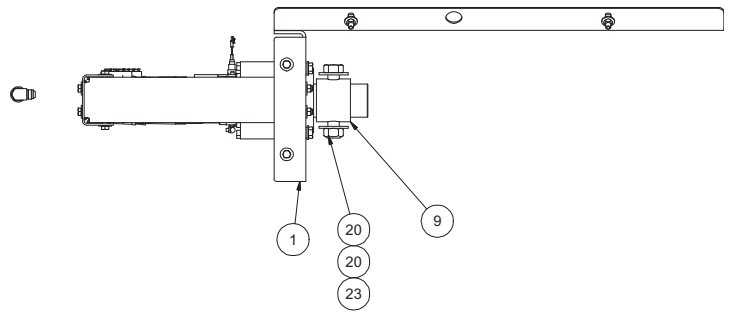
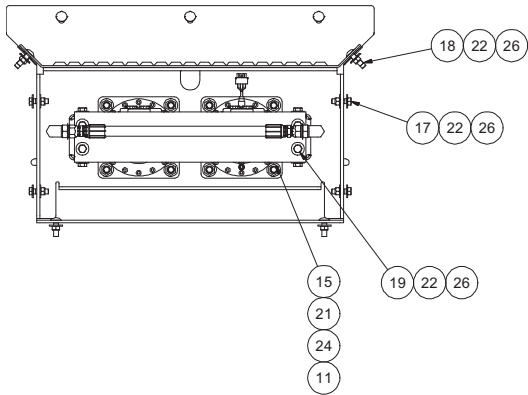
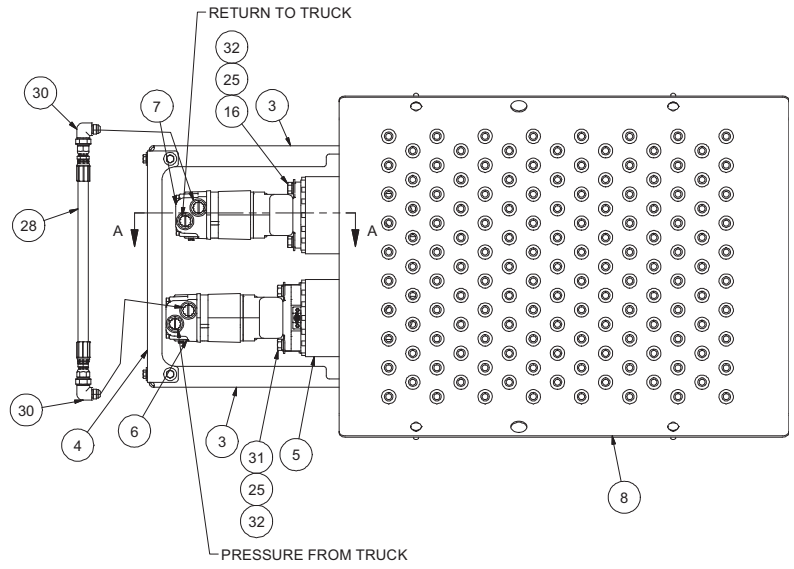
AUGER WELDMENTS (7.0 OD X 4.0 ID)



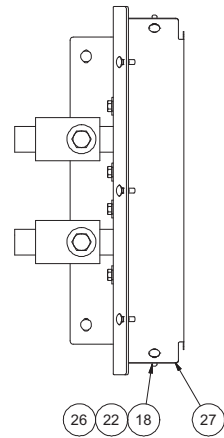
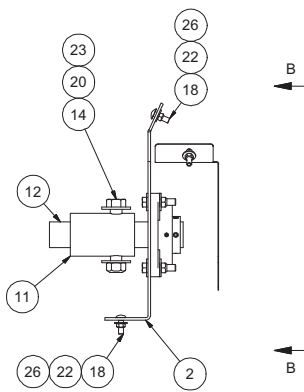
| DESCRIPTION | STANDARD | HARD SURFACE | DUAL AUGER KIT |
|-------------|----------|--------------|--------------------|
| 8' LH | 00133472 | 00143844 | 00146223-A STD |
| 8' RH | 00133473 | 00143845 | 00146223-B HD SURF |
| 9' LH | 00135024 | 00143846 | 00146224-A STD |
| 9' RH | 00135025 | 00143847 | 00146224-B HD SURF |
| 10' LH | 00131237 | 00135255 | 00146225-A STD |
| 10' RH | 00131238 | 00135256 | 00146225-B HD SURF |
| 11' LH | 00135026 | 00142028 | 00146226-A STD |
| 11' RH | 00135027 | 00142029 | 00146226-B HD SURF |
| 12' LH | 00135028 | 00137726 | 00146227-A STD |
| 12' RH | 00135029 | 00137727 | 00146227-B HD SURF |
| 13' LH | 00135030 | 00143848 | 00146228-A STD |
| 13' RH | 00135031 | 00143849 | 00146227-B HD SURF |
| 14' LH | 00135032 | 00135091 | 00146229-A STD |
| 14' RH | 00135033 | 00135092 | 00146229-B HD SURF |
| 15' LH | 00132496 | 00143850 | 00146230-A STD |
| 15' RH | 00132497 | 00143851 | 00146230-B HD SURF |
| 16' LH | 00135034 | 00137730 | 00146231-A STD |
| 16' RH | 00135035 | 00137731 | 00146230-B HD SURF |
| 17' LH | --- | --- | 00146232-A STD |
| 17' RH | --- | --- | 00146232-B HD SURF |
| 18' LH | --- | --- | 00146233-A STD |
| 18' RH | --- | --- | 00146233-B HD SURF |



SECTION A-A



VIEW B-B
ITEM #27 NOT SHOWN



00131243 DRIVE KIT, MCV, DA, SP SENSOR

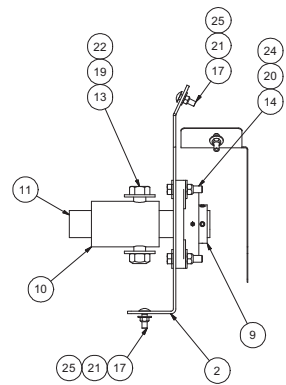
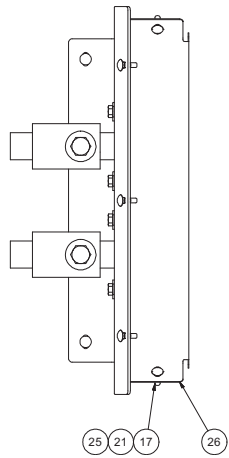
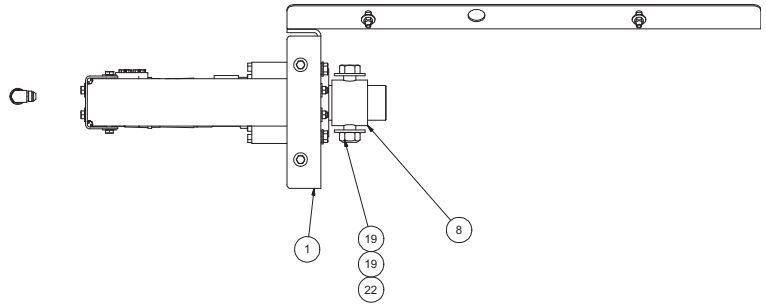
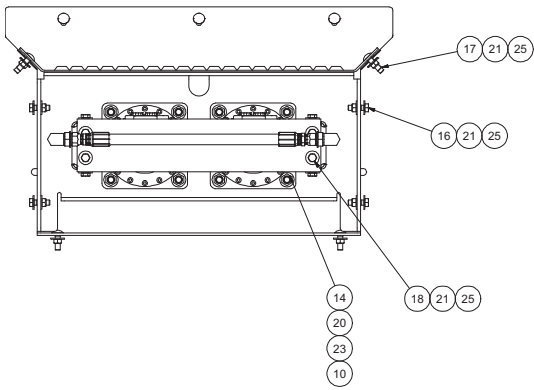
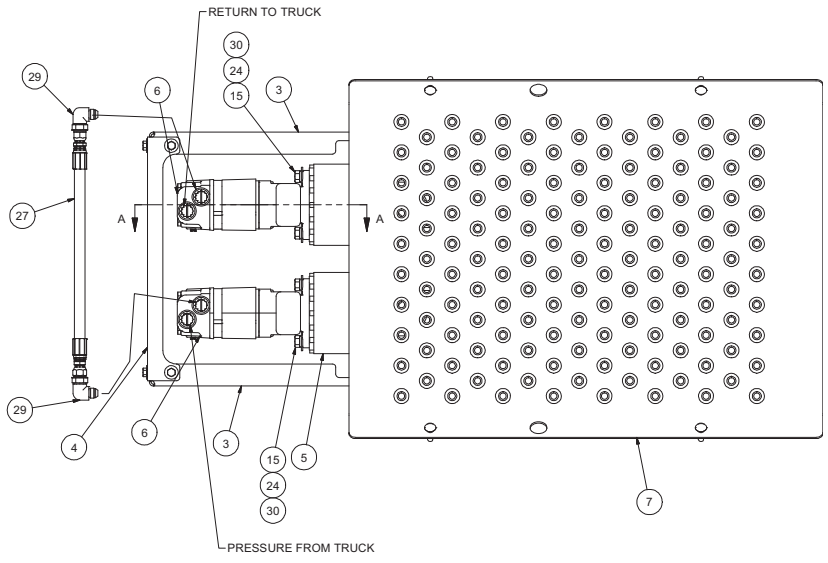
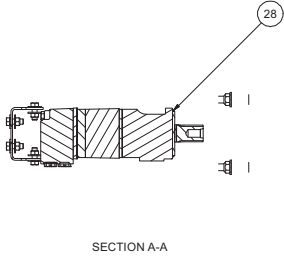
| ITEM | QTY | PART NUMBER | DESCRIPTION |
|------|-----|-------------|--|
| 1 | 1 | 00131246-A | MTG PLATE,MTR,MCV,DA,MS,.250 |
| 1 | 1 | 00131246-B | MTG PLATE,MTR,MCV,DA,304,.250 |
| 1 | 1 | 00131246-C | MTG PLATE,MTR,MCV,DA,AUSS,.250 |
| 2 | 1 | 00131216-A | MTG PLATE,BEARING,MCV,DA,MS |
| 2 | 1 | 00131216-B | MTG PLATE,BEARING,MCV,DA,304 |
| 2 | 1 | 00131216-C | MTG PLATE,BEARING,MCV,DA,AUSST |
| 3 | 2 | 00131248-A | SIDE RAIL,MTR GD,MCV,AUG,MS |
| 3 | 2 | 00131248-B | SIDE RAIL,MTR GD,MCV,AUG,304 |
| 3 | 2 | 00131248-C | SIDE RAIL,MTR GD,MCV,AUG,AUSST |
| 4 | 1 | 00131249-A | REAR RAIL,MTR GR,MCV,AUG,MS |
| 4 | 1 | 00131249-B | REAR RAIL,MTR GD,MCV,AUG,304 |
| 4 | 1 | 00131249-C | REAR RAIL,MTR GD,MCV,AUG,AUSST |
| 5 | 2 | 05007426 | GEARBOX,PLNTY,3.6:1,SAE 2B <i>See Page 109</i> |
| 6 | 1 | 05006707 | MOTOR,HYD,WHITE,24.9CI,2B,1.25 <i>See Page 116</i> |
| 7 | 1 | 05006706 | MOTOR,HYD,WHITE,24.9CI,2B,1.25 <i>See Page 112</i> |
| 8 | 1 | 00131247-A | COVER,AUGER,MCV,MS |
| 8 | 1 | 00131247-B | COVER,AUGER,MCV,304 |
| 8 | 1 | 00131247-C | COVER,AUGER,MCV,AUSST |
| 9 | 2 | 00131201 | BUSHING,MCV,AUGER DRIVE |
| 10 | 2 | 05030006 | BEARING,2",4B FLANGE,MSV-MV |
| 11 | 2 | 00131244 | BUSHING,MCV,AUGER.IDLER |
| 12 | 2 | 00131245 | SHAFT PIN,AUGER,MCV,IDLER |
| 13 | 8 | 00075580-B | BUSHING,SS,.840 ODx.546IDx.313 |
| 14 | 4 | 05017128 | BOLT .875-9 x 5.00 G8 HHCS ZC |
| 15 | 16 | 05010694 | BOLT .500-13 x 2.25 G8 HHCS ZC |
| 15 | 16 | 05016206 | BOLT .500-13 x 2.25 HHCS SST |
| 16 | 2 | 05010692 | BOLT .500-13 x 1.75 G8 HHCS ZC |
| 16 | 2 | 05016204 | BOLT .500-13 x 1.75 HHCS SST |
| 17 | 4 | 05010644 | BOLT .375-16 x 1.25 G8 HHCS ZC |
| 17 | 4 | 05016049 | BOLT .375-16 x 1.25 HHCS SST |
| 18 | 11 | 05013987 | BOLT .375-16 x 1.25 G5 CRG ZC |
| 18 | 11 | 05016746 | BOLT .375-16 x 1.25 CRG SST |
| 19 | 12 | 05010643 | BOLT .375-16 x 1.00 G8 HHCS ZC |
| 19 | 12 | 05016034 | BOLT .375-16 x 1.00 HHCS SST |
| 20 | 4 | 05020969 | NUT .875-9 GC TOPLOCK C&W |
| 21 | 16 | 05020847 | NUT .500-13 GC TOPLOCK C&W |
| 21 | 16 | 05020908 | NUT .500-13 NYLON LOCK 316 SST |
| 22 | 27 | 05020898 | NUT .375-16 GC TOPLOCK C&W |
| 22 | 27 | 05020891 | NUT .375-16 NYLON LOCK 316 SST |
| 23 | 8 | 05021313 | WASHER .875 FLAT ZC |
| 24 | 16 | 05021005 | WASHER .500 FLAT MIL-CARB SAE |
| 25 | 20 | 05021309 | WASHER .500 FLAT ZC |
| 25 | 20 | 05021391 | WASHER .500 FLAT SST |
| 26 | 43 | 05021307 | WASHER .375 FLAT ZC |
| 26 | 43 | 05021390 | WASHER .375 FLAT SST |
| 27 | 1 | 00132433-A | COVER PL,FR BRG,MCV AUG,MS |
| 27 | 1 | 00132433-B | COVER PL,FR BRG,MCV AUG,304 |
| 28 | 1 | 00133475 | HOSE ASSY,.500 ID,M3K,18 OAL |
| 29 | 2 | 05052993 | O-RING,.125"THK,3.193"OD,2.987 |
| 30 | 2 | 6801-8-10 | HYD FITNG,ADAPTER 90 |
| 31 | 2 | 05010695 | BOLT .500-13 x 2.50 G8 HHCS ZC |
| 31 | 2 | 05016207 | BOLT .500-13 x 2.50 HHCS SST |
| 32 | 4 | 05021367 | WASHER .500 LOCK ZC |
| 32 | 4 | 05021396 | WASHER .500 LOCK SST |

00137768 DRIVE KIT, MCV, DUAL AUG, COMBO, SP SNSR

| ITEM | QTY | PART NUMBER | DESCRIPTION |
|------|-----|-------------|--|
| 1 | 1 | 00131246-A | MTG PLATE,MTR,MCV,DA,MS,.250 |
| 1 | 1 | 00131246-B | MTG PLATE,MTR,MCV,DA,304,.250 |
| 1 | 1 | 00131246-C | MTG PLATE,MTR,MCV,DA,AUSS,.250 |
| 2 | 1 | 00131216-A | MTG PLATE,BEARING,MCV,DA,MS |
| 2 | 1 | 00131216-B | MTG PLATE,BEARING,MCV,DA,304 |
| 2 | 1 | 00131216-C | MTG PLATE,BEARING,MCV,DA,AUSST |
| 3 | 2 | 00131248-A | SIDE RAIL,MTR GD,MCV,AUG,MS |
| 3 | 2 | 00131248-B | SIDE RAIL,MTR GD,MCV,AUG,304 |
| 3 | 2 | 00131248-C | SIDE RAIL,MTR GD,MCV,AUG,AUSST |
| 4 | 1 | 00131249-A | REAR RAIL,MTR GR,MCV,AUG,MS |
| 4 | 1 | 00131249-B | REAR RAIL,MTR GD,MCV,AUG,304 |
| 4 | 1 | 00131249-C | REAR RAIL,MTR GD,MCV,AUG,AUSST |
| 5 | 2 | 05007426 | GEARBOX,PLNTY,3.6:1,SAE 2B <i>See Page 112</i> |
| 6 | 1 | 05006707 | MOTOR,HYD,WHITE,24.9CI,2B,1.25 <i>See Page 116</i> |
| 7 | 1 | 05006706 | MOTOR,HYD,WHITE,24.9CI,2B,1.25 <i>See Page 116</i> |
| 8 | 1 | 00135090-A | COVER,AUGER,MCV,COMBO,MS |
| 8 | 1 | 00135090-B | COVER,AUGER,MCV,COMBO,304 |
| 8 | 1 | 00135090-C | COVER,AUGER,MCV,COMBO,AUSST |
| 9 | 2 | 00131201 | BUSHING,MCV,AUGER DRIVE |
| 10 | 2 | 05030006 | BEARING,2",4B FLANGE,MSV-MV |
| 11 | 2 | 00131244 | BUSHING,MCV,AUGER.IDLER |
| 12 | 1 | 00132433-A | COVER PL,FR BRG,MCV AUG,MS |
| 12 | 1 | 00132433-B | COVER PL,FR BRG,MCV AUG,304 |
| 13 | 2 | 00131245 | SHAFT PIN,AUGER,MCV,IDLER |
| 14 | 8 | 00075580-B | BUSHING,SS,.840 ODx.546IDx.313 |
| 15 | 4 | 05017128 | BOLT .875-9 x 5.00 G8 HHCS ZC |
| 16 | 2 | 05010695 | BOLT .500-13 x 2.50 G8 HHCS ZC |
| 16 | 2 | 05016207 | BOLT .500-13 x 2.50 HHCS SST |
| 17 | 16 | 05010694 | BOLT .500-13 x 2.25 G8 HHCS ZC |
| 17 | 16 | 05016206 | BOLT .500-13 x 2.25 HHCS SST |
| 18 | 2 | 05010692 | BOLT .500-13 x 1.75 G8 HHCS ZC |
| 18 | 2 | 05016204 | BOLT .500-13 x 1.75 HHCS SST |
| 19 | 4 | 05010644 | BOLT .375-16 x 1.25 G8 HHCS ZC |
| 19 | 4 | 05016049 | BOLT .375-16 x 1.25 HHCS SST |
| 20 | 11 | 05013987 | BOLT .375-16 x 1.25 G5 CRG ZC |
| 20 | 11 | 05016746 | BOLT .375-16 x 1.25 CRG SST |
| 21 | 12 | 05010643 | BOLT .375-16 x 1.00 G8 HHCS ZC |
| 21 | 12 | 05016034 | BOLT .375-16 x 1.00 HHCS SST |
| 22 | 4 | 05020969 | NUT .875-9 GC TOPLOCK C&W |
| 23 | 16 | 05020847 | NUT .500-13 GC TOPLOCK C&W |
| 23 | 16 | 05020908 | NUT .500-13 NYLON LOCK 316 SST |
| 24 | 27 | 05020898 | NUT .375-16 GC TOPLOCK C&W |
| 24 | 27 | 05020891 | NUT .375-16 NYLON LOCK 316 SST |
| 25 | 8 | 05021313 | WASHER .875 FLAT ZC |
| 26 | 16 | 05021005 | WASHER .500 FLAT MIL-CARB SAE |
| 27 | 20 | 05021309 | WASHER .500 FLAT ZC |
| 27 | 20 | 05021391 | WASHER .500 FLAT SST |
| 28 | 43 | 05021307 | WASHER .375 FLAT ZC |
| 28 | 43 | 05021390 | WASHER .375 FLAT SST |
| 29 | 1 | 00133475 | HOSE ASSY,.500 ID,M3K,18 OAL |
| 30 | 2 | 05052993 | O-RING,.125"THK,3.193"OD,2.987 |
| 31 | 2 | 6801-8-10 | HYD FITNG,ADAPTER 90 |
| 32 | 4 | 05021381 | WASHER .500 LOCK HVY ZC |
| 32 | 4 | 05021396 | WASHER .500 LOCK SST |

00145919 DRIVE KIT, MCV, DA, SF1

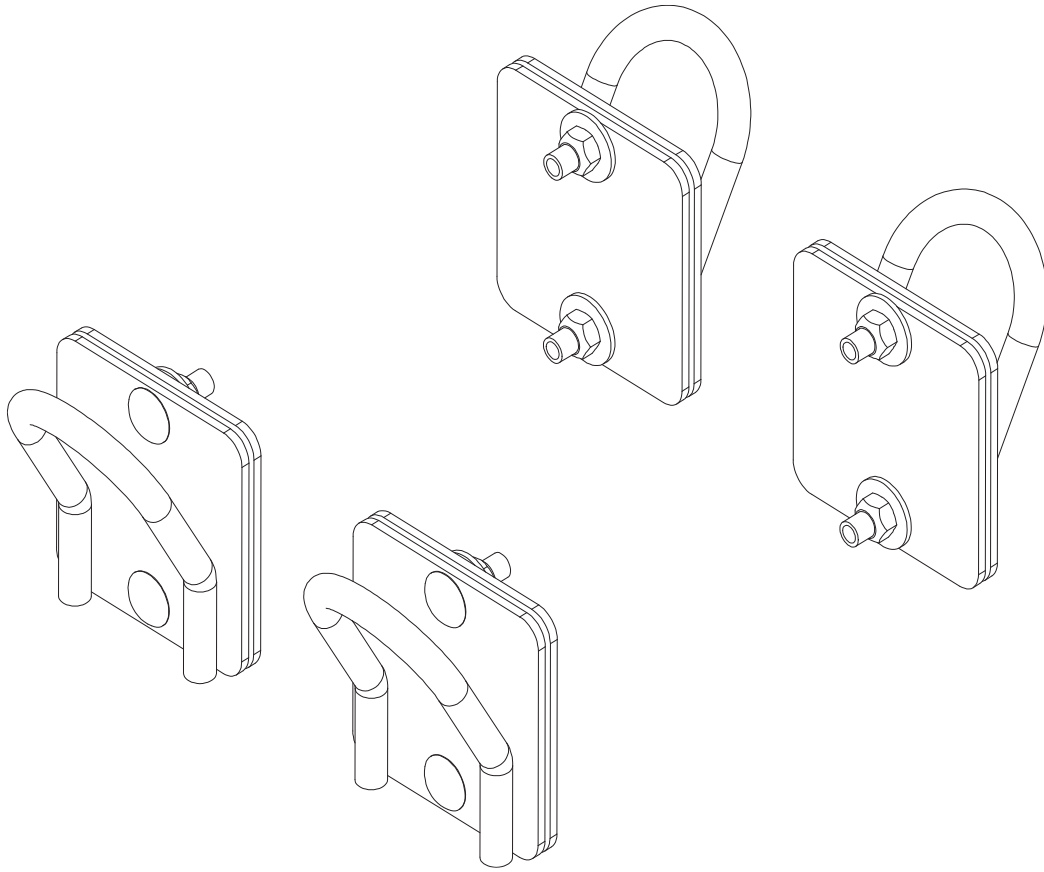
| ITEM | QTY | PART NUMBER | DESCRIPTION |
|------|-----|-------------|--|
| 1 | 1 | 00131246-A | MTG PLATE,MTR,MCV,DA,MS,,250 |
| 1 | 1 | 00131246-B | MTG PLATE,MTR,MCV,DA,304,,250 |
| 1 | 1 | 00131246-C | MTG PLATE,MTR,MCV,DA,AUSS,,250 |
| 2 | 1 | 00135088-A | MTG PLATE,BEARING,MCV,DA |
| 2 | 1 | 00135088-B | MTG PLATE,BEARING,MCV,DA,SF1 |
| 2 | 1 | 00135088-C | MTG PLATE,BEARING,MCV,DA,SF1 |
| 3 | 2 | 00131248-A | SIDE RAIL,MTR GD,MCV,AUG,MS |
| 3 | 2 | 00131248-B | SIDE RAIL,MTR GD,MCV,AUG,304 |
| 3 | 2 | 00131248-C | SIDE RAIL,MTR GD,MCV,AUG,AUSST |
| 4 | 1 | 00131249-A | REAR RAIL,MTR GR,MCV,AUG,MS |
| 4 | 1 | 00131249-B | REAR RAIL,MTR GD,MCV,AUG,304 |
| 4 | 1 | 00131249-C | REAR RAIL,MTR GD,MCV,AUG,AUSST |
| 5 | 2 | 05007426 | GEARBOX,PLNTY,3.6:1,SAE 2B <i>See Page 112</i> |
| 6 | 1 | 05006707 | MOTOR,HYD,WHITE,24.9CI,2B,1.25 <i>See Page 116</i> |
| 7 | 1 | 05006706 | MOTOR,HYD,WHITE,24.9CI,2B,1.25 <i>See Page 116</i> |
| 8 | 1 | 00131247-A | COVER,AUGER,MCV,MS |
| 8 | 1 | 00131247-B | COVER,AUGER,MCV,304 |
| 8 | 1 | 00131247-C | COVER,AUGER,MCV,AUSST |
| 9 | 2 | 00131201 | BUSHING,MCV,AUGER DRIVE |
| 10 | 2 | 05030006 | BEARING,2",4B FLANGE,MSV-MV |
| 11 | 2 | 00131244 | BUSHING,MCV,AUGER.IDLER |
| 12 | 2 | 00131245 | SHAFT PIN,AUGER,MCV,IDLER |
| 13 | 8 | 00075580-B | BUSHING,SS,,840 ODx.546IDx.313 |
| 14 | 4 | 05017128 | BOLT .875-9 x 5.00 G8 HHCS ZC |
| 15 | 16 | 05010693 | BOLT .500-13 x 2.00 G8 HHCS ZC |
| 15 | 16 | 05016205 | BOLT .500-13 x 2.00 HHCS SST |
| 16 | 2 | 05010690 | BOLT .500-13 x 1.25 G8 HHCS ZC |
| 16 | 2 | 05016045 | BOLT .500-13 x 1.25 HHCS SST |
| 17 | 4 | 05010644 | BOLT .375-16 x 1.25 G8 HHCS ZC |
| 17 | 4 | 05016049 | BOLT .375-16 x 1.25 HHCS SST |
| 18 | 11 | 05013987 | BOLT .375-16 x 1.25 G5 CRG ZC |
| 18 | 11 | 05016746 | BOLT .375-16 x 1.25 CRG SST |
| 19 | 12 | 05010643 | BOLT .375-16 x 1.00 G8 HHCS ZC |
| 19 | 12 | 05016034 | BOLT .375-16 x 1.00 HHCS SST |
| 20 | 4 | 05020969 | NUT .875-9 GC TOPLOCK C&W |
| 20 | 4 | 05020969 | NUT .875-9 GC TOPLOCK C&W |
| 21 | 16 | 05020847 | NUT .500-13 GC TOPLOCK C&W |
| 21 | 16 | 05020908 | NUT .500-13 NYLON LOCK 316 SST |
| 22 | 27 | 05020898 | NUT .375-16 GC TOPLOCK C&W |
| 22 | 27 | 05020891 | NUT .375-16 NYLON LOCK 316 SST |
| 23 | 8 | 05021313 | WASHER .875 FLAT ZC |
| 24 | 16 | 05021005 | WASHER .500 FLAT MIL-CARB SAE |
| 25 | 20 | 05021309 | WASHER .500 FLAT ZC |
| 25 | 20 | 05021391 | WASHER .500 FLAT SST |
| 26 | 43 | 05021307 | WASHER .375 FLAT ZC |
| 26 | 43 | 05021390 | WASHER .375 FLAT SST |
| 27 | 1 | 00132433-A | COVER PL,FR BRG,MCV AUG,MS |
| 27 | 1 | 00132433-B | COVER PL,FR BRG,MCV AUG,304 |
| 28 | 1 | 00133475 | HOSE ASSY,,.500 ID,M3K,18 OAL |
| 29 | 2 | 05052993 | O-RING,-.125"THK,3.193"OD,2.987 |
| 30 | 2 | 6801-8-10 | HYD FITNG,ADAPTER 90 |
| 31 | 2 | 05010695 | BOLT .500-13 x 2.50 G8 HHCS ZC |
| 31 | 2 | 05016207 | BOLT .500-13 x 2.50 HHCS SST |



00106304 DRIVE KIT, MCV, DA, W/O SPSNSR

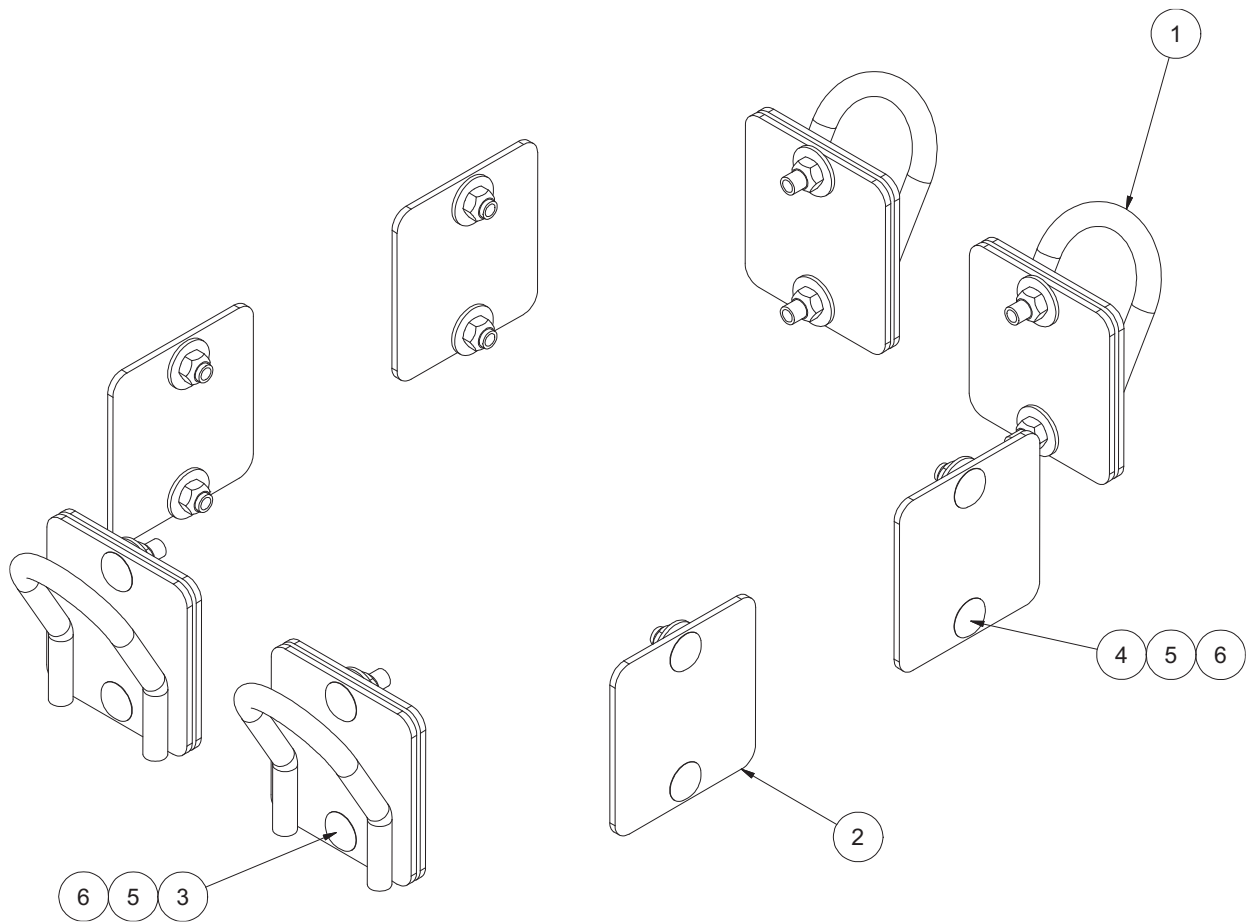
| ITEM | QTY | PART NUMBER | DESCRIPTION |
|------|-----|-------------|--|
| 1 | 1 | 00131246-A | MTG PLATE,MTR,MCV,DA,MS,.250 |
| 1 | 1 | 00131246-B | MTG PLATE,MTR,MCV,DA,304,.250 |
| 1 | 1 | 00131246-C | MTG PLATE,MTR,MCV,DA,AUSS,.250 |
| 2 | 1 | 00131216-A | MTG PLATE,BEARING,MCV,DA,MS |
| 2 | 1 | 00131216-B | MTG PLATE,BEARING,MCV,DA,304 |
| 2 | 1 | 00131216-C | MTG PLATE,BEARING,MCV,DA,AUSST |
| 3 | 2 | 00131248-A | SIDE RAIL,MTR GD,MCV,AUG,MS |
| 3 | 2 | 00131248-B | SIDE RAIL,MTR GD,MCV,AUG,304 |
| 3 | 2 | 00131248-C | SIDE RAIL,MTR GD,MCV,AUG,AUSST |
| 4 | 1 | 00131249-A | REAR RAIL,MTR GR,MCV,AUG,MS |
| 4 | 1 | 00131249-B | REAR RAIL,MTR GD,MCV,AUG,304 |
| 4 | 1 | 00131249-C | REAR RAIL,MTR GD,MCV,AUG,AUSST |
| 5 | 2 | 05007426 | GEARBOX,PLNTY,3.6:1,SAE 2B <i>See page 109</i> |
| 6 | 2 | 05006706 | MOTOR,HYD,WHITE,24.9CI,2B,1.25 <i>See page 112</i> |
| 7 | 1 | 00131247-A | COVER,AUGER,MCV,MS |
| 7 | 1 | 00131247-B | COVER,AUGER,MCV,304 |
| 7 | 1 | 00131247-C | COVER,AUGER,MCV,AUSST |
| 8 | 2 | 00131201 | BUSHING,MCV,AUGER DRIVE |
| 9 | 2 | 05030006 | BEARING,2",4B FLANGE,MSV-MV |
| 10 | 2 | 00131244 | BUSHING,MCV,AUGER.IDLER |
| 11 | 2 | 00131245 | SHAFT PIN,AUGER,MCV,IDLER |
| 12 | 8 | 00075580-B | BUSHING,SS,.840 ODx.546IDx.313 |
| 13 | 4 | 05017128 | BOLT .875-9 x 5.00 G8 HHCS ZC |
| 14 | 16 | 05010694 | BOLT .500-13 x 2.25 G8 HHCS ZC |
| 14 | 16 | 05016206 | BOLT .500-13 x 2.25 HHCS SST |
| 15 | 4 | 05010692 | BOLT .500-13 x 1.75 G8 HHCS ZC |
| 15 | 4 | 05016204 | BOLT .500-13 x 1.75 HHCS SST |
| 16 | 4 | 05010644 | BOLT .375-16 x 1.25 G8 HHCS ZC |
| 16 | 4 | 05016049 | BOLT .375-16 x 1.25 HHCS SST |
| 17 | 11 | 05013987 | BOLT .375-16 x 1.25 G5 CRG ZC |
| 17 | 11 | 05016746 | BOLT .375-16 x 1.25 CRG SST |
| 18 | 12 | 05010643 | BOLT .375-16 x 1.00 G8 HHCS ZC |
| 18 | 12 | 05016034 | BOLT .375-16 x 1.00 HHCS SST |
| 19 | 4 | 05020969 | NUT .875-9 GC TOPLOCK C&W |
| 20 | 16 | 05020847 | NUT .500-13 GC TOPLOCK C&W |
| 20 | 16 | 05020908 | NUT .500-13 NYLON LOCK 316 SST |
| 21 | 27 | 05020898 | NUT .375-16 GC TOPLOCK C&W |
| 21 | 27 | 05020891 | NUT .375-16 NYLON LOCK 316 SST |
| 22 | 8 | 05021313 | WASHER .875 FLAT ZC |
| 23 | 16 | 05021005 | WASHER .500 FLAT MIL-CARB SAE |
| 24 | 20 | 05021309 | WASHER .500 FLAT ZC |
| 24 | 20 | 05021391 | WASHER .500 FLAT SST |
| 25 | 43 | 05021307 | WASHER .375 FLAT ZC |
| 25 | 43 | 05021390 | WASHER .375 FLAT SST |
| 26 | 1 | 00132433-A | COVER PL,FR BRG,MCV AUG,MS |
| 26 | 1 | 00132433-B | COVER PL,FR BRG,MCV AUG,304 |
| 27 | 1 | 00133475 | HOSE ASSY,.500 ID,M3K,18 OAL |
| 28 | 2 | 05052993 | O-RING,.125"THK,3.193"OD,2.987 |
| 29 | 2 | 6801-8-10 | HYD FITNG,ADAPTER 90 |
| 30 | 4 | 05021367 | WASHER .500 LOCK ZC |
| 30 | 4 | 05021396 | WASHER .500 LOCK SST |

LIFT LOOP KITS



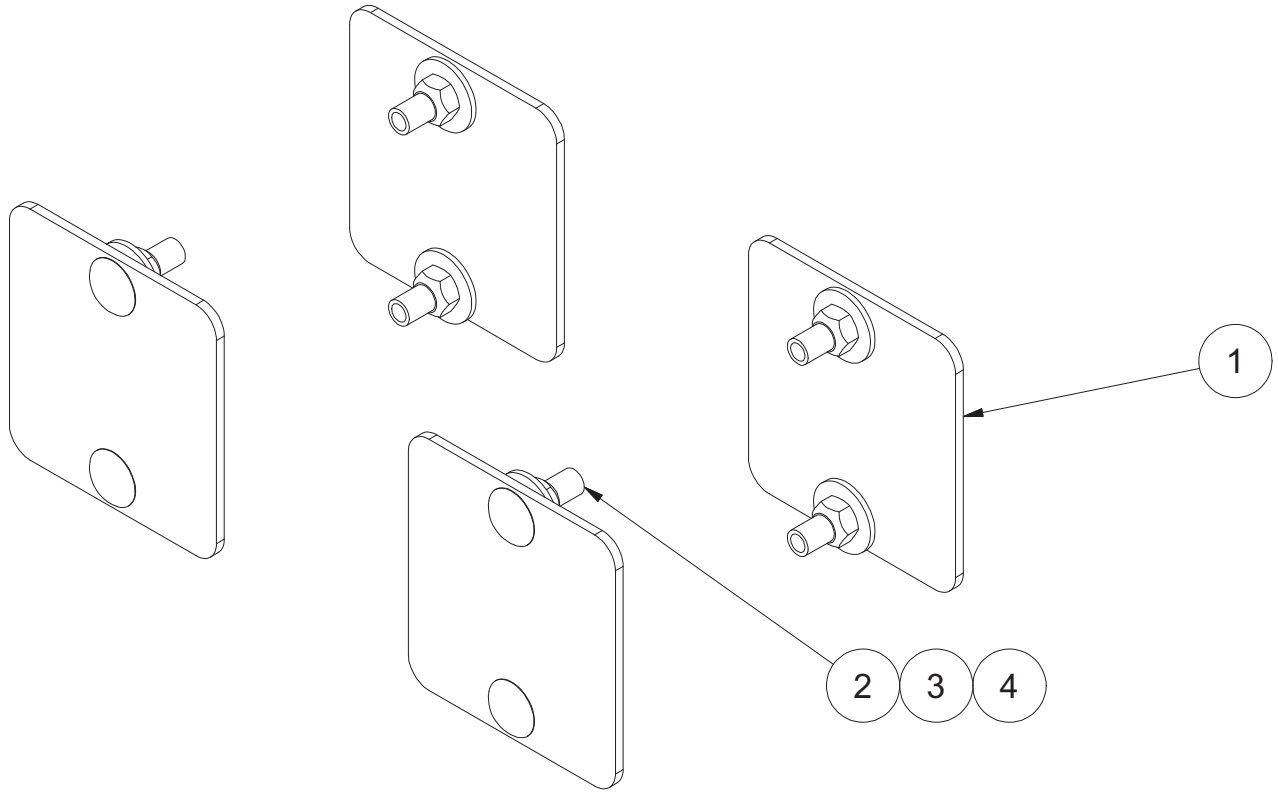
00132415 LIFT LOOP KIT, MCV, BOLT-ON

| Item | Qty | Part Number | Description |
|-------------|------------|--|---|
| 1 | 4 | 00131218-A 00131218-B 00131218-C | LIFT LOOP WELDMENT, MS LIFT LOOP WELDMENT, SST LIFT LOOP WELDMENT, AUSST |
| 2 | 4 | 00131217-D 00131217-B 00131217-C | MOUNTING PLATE, LIFT LOOP, MS MOUNTING PLATE, LIFT LOOP, SST MOUNTING PLATE, LIFT LOOP, AUSST |
| 3 | 8 | 05014042 05016803 | BOLT, .5-13 X 1.50, G5, CARRIAGE, ZINC BOLT, .5-13 X 1.50, CARRIAGE, SST |
| 4 | 8 | 05020847 05020908 | NUT, .5-13, GC, TOP LOCK, C&W NUT, .5-13, NYLON LOCK, 316 SST |
| 5 | 8 | 05021309 05021391 | WASHER, .5, FLAT, ZINC WASHER, .5, FLAT, SST |
| 6 | 8 | 05052992 | PLUG, PLASTIC, FITS .75" OD TUBE |
| 7 | 4 | 05052991 | PLUG, PLASTIC, FITS, .5 OD TUBE |



00143879 LIFT LOOP MCV, FR/RR MT

| Item | ZINC Qty | SST Qty | Part Number | Description |
|------|----------|---------|--|---|
| 1 | 4 | 4 | 00131218-A 00131218-B 00131218-C | LIFT LOOP WELDMENT, MS LIFT LOOP WELDMENT, SST LIFT LOOP WELDMENT, AUSST |
| 2 | 8 | 4 | 00131217-D 00131217-B 00131217-C | MOUNTING PLATE, LIFT LOOP, MS MOUNTING PLATE, LIFT LOOP, SST MOUNTING PLATE, LIFT LOOP, AUSST |
| 3 | 8 | 8 | 05014042 05016803 | BOLT, .5-13 X 1.50, G5, CARRIAGE, ZINC BOLT, .5-13 X 1.50, CARRIAGE, SST |
| 4 | 8 | N/A | 05014040 | BOLT, .5-13 X 1, G5, CARRIAGE, ZINC |
| 5 | 16 | 8 | 05020847 05020908 | NUT, .5-13, GC, TOP LOCK, C&W NUT, .5-13, NYLON LOCK, 316 SST |
| 6 | 16 | 8 | 05021309 05021391 | WASHER, .5, FLAT, ZINC WASHER, .5, FLAT, SST |
| 7 | 8 | 8 | 05052992 | PLUG, PLASTIC, FITS, .75" OD TUBE |
| 8 | 4 | 4 | 05052991 | PLUG, PLASTIC FITS, .5" OD TUBE |



00142099 COVER PL/PLUG KIT, MCV, LIFT LP HOLE

| Item | Qty. | Part Number | Description |
|------|------|-------------|-------------------------------------|
| 1 | 4 | 00131217-D | MOUNTING PLATE, LIFT LOOP, MCV, MS |
| 2 | 8 | 05014040 | BOLT, .5-13 X 1, G5, CARRIAGE, ZINC |
| 3 | 8 | 05021309 | WASHER, .5, FLAT, ZINC |
| 4 | 8 | 05020847 | NUT, .5-13, GC, TOP LOCK, C&W |
| 5 | 8 | 05052992 | PLUG, PLASTIC, FITS, .75" OD TUBE |
| 6 | 4 | 05052991 | PLUG, PLASTIC, FITS, .5" OD TUBE |

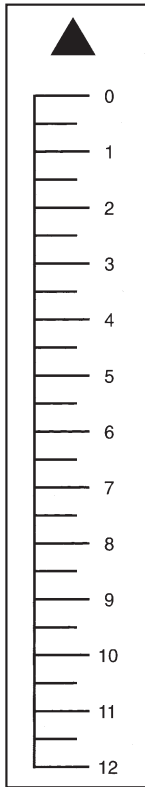
DECAL KITS



05051409



05051404



05051410



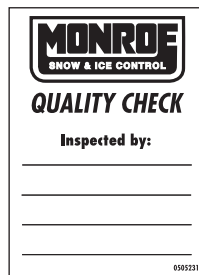
05051406



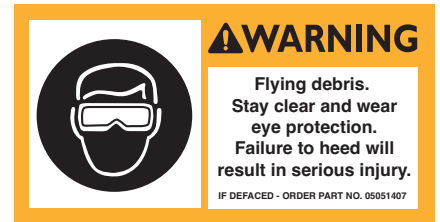
05051402



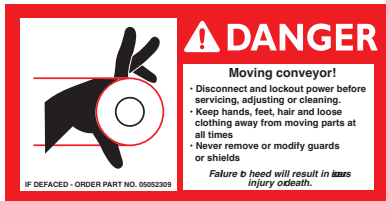
05052885



05052311



05051407



05052309



05052310



05051625

MONROE SPREADER

Monroe, Wisconsin 53566

05051405

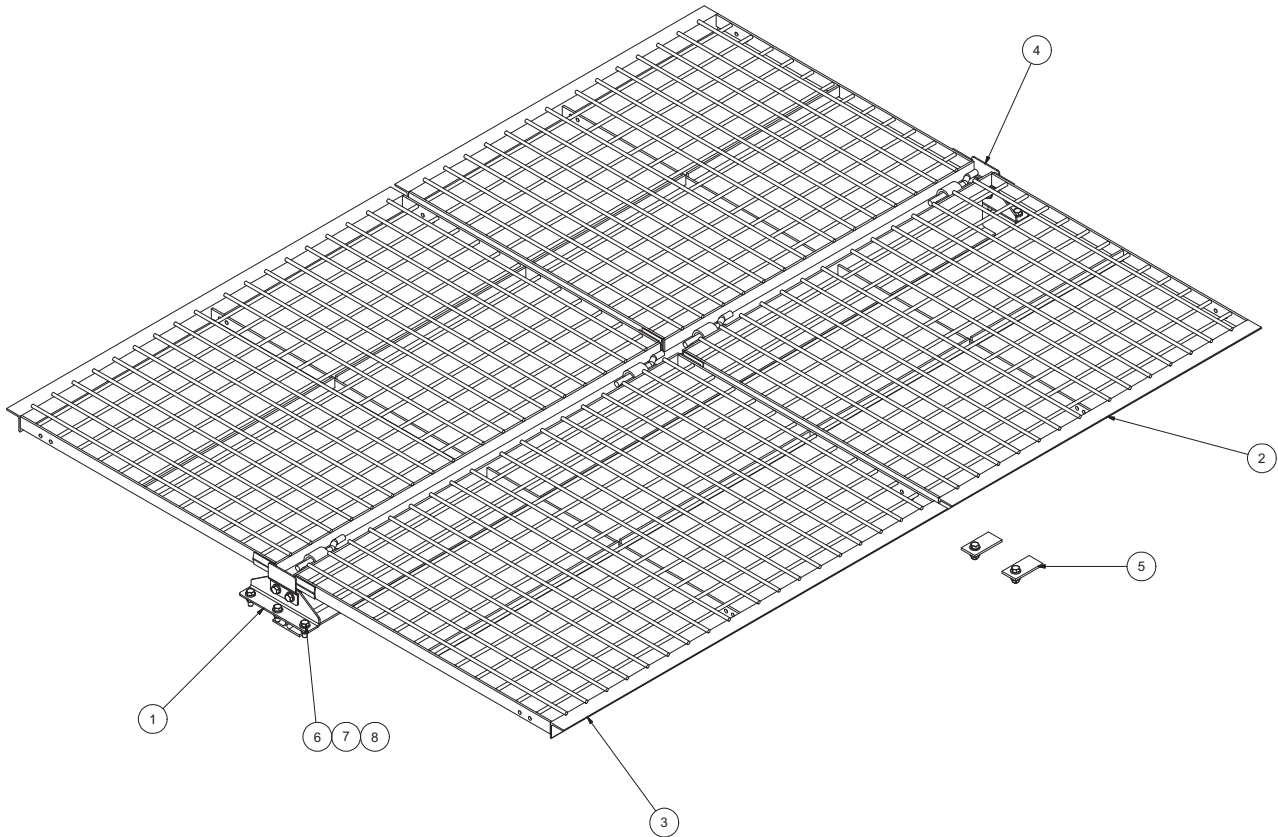
00065914 DECAL KIT, MV/MSV, W/O POWDERCOAT

| Item | Qty | Part Number | Description |
|-------------|------------|--------------------|--|
| 1 | 1 | 05051404 | Decal, Caution, #1-#6 |
| 2 | 2 | 05051405 | Decal, Monroe Spreader |
| 3 | 4 | 05051406 | Decal, Danger: Turn Power Off |
| 4 | 1 | 05051407 | Decal, Stay Clear, Wear Eye Protection |
| 5 | 1 | 05051409 | Decal, Caution: Use Care When |
| 6 | 1 | 05051410 | Decal, Rear Door Ruler |
| 7 | 6 | 05051401 | Decal, Danger Turning Augers... |
| 8 | 1 | 05052311 | Decal, Quality Check |
| 9 | 4 | 05052885 | Decal, Warning, Crush Hazard, 3 x 5 |

00065913 DECAL KIT, MV/MSV, W/ POWDERCOAT

| Item | Qty | Part Number | Description |
|-------------|------------|--------------------|--|
| 1 | 1 | 05050681 | Decal, Bonded Powder Coat |
| 2 | 1 | 05051404 | Decal, Caution, #1-#6 |
| 3 | 2 | 05051405 | Decal, Monroe Spreader |
| 4 | 4 | 05051406 | Decal, Danger: Turn Power Off |
| 5 | 1 | 05051407 | Decal, Stay Clear, Wear Eye Protection |
| 6 | 1 | 05051409 | Decal, Caution: Use Care When |
| 7 | 1 | 05051410 | Decal, Rear Door Ruler |
| 8 | 6 | 05051401 | Decal, Danger Turning Augers... |
| 9 | 1 | 05052311 | Decal, Quality Check |
| 10 | 4 | 05052885 | Decal, Warning, Crush Hazard, 3 x 5 |

TOP GRATE KITS



00135016 TOP GRATE KIT, MCV, 108 X 84 X 3

| Item | Qty | Part Number | Description |
|------|-----|----------------------|---|
| 1 | 1 | 00135009 | BEAM WELDMENT, MCV, 9', MS |
| 2 | 2 | 00056016 | TOP GRATE WELDMENT, 48X84X3 |
| 3 | 2 | 00056024 | TOP GRATE WELDMENT, 60X84X3 |
| 4 | 2 | 00142593-A | STOP, TP GRT, V-BOX OFFSET, MS |
| 5 | 2 | 00133482-A | MOUNTING PLATE, BEAM, MS |
| 6 | 12 | 05010691 05016096 | BOLT, .5-13 X 1.50, G8, HHCS, ZINC BOLT, .5-13 X 1.50, HHCS, SST |
| 7 | 12 | 05020847 05020908 | NUT, .5-13, GC, TOP LOCK, C&W NUT, .5-13, NYLON LOCK, 316 SST |
| 8 | 24 | 05021005 05021391 | WASHER, .5, FLAT, MIL-CARB, SAE WASHER, .5, FLAT, SST |

00132407 TOP GRATE KIT, MCV, 120X84X3

| Item | Qty | Part Number | Description |
|------|-----|----------------------|---|
| 1 | 1 | 00132406 | BEAM WELDMENT, MCV, 10', MS |
| 2 | 4 | 00056024 | TOP GRATE WELDMENT, 60X84X3 |
| 3 | 2 | 00053809-A | STOP TOP GRATE, FLAT, MS |
| 4 | 12 | 05010691 05016096 | BOLT, .5-13 X 1.50, G8, HHCS, ZINC BOLT, .5-13 X 1.50, HHCS, SST |
| 5 | 12 | 05020847 05020908 | NUT, .5-13, GC, TOP LOCK, C&W NUT, .5-13, NYLON LOCK, 316 SST |
| 6 | 24 | 05021005 05021391 | WASHER, .5, FLAT, MIL-CARB, SAE WASHER, .5, FLAT, SST |
| 7 | 2 | 00133482-A | MOUNTING PLATE, BEAM, MS |

00133471 TOP GRATE KIT, MCV, DH, 120X84X3

| Item | Qty | Part Number | Description |
|------|-----|----------------------|---|
| 1 | 1 | 00133469 | BEAM WELDMENT, MCV, 10', MS(2) |
| 2 | 2 | 00056024 | TOP GRATE WELDMENT, 60x84x3 |
| 3 | 1 | 00074361 | TOP GRATE MOD, 60X84X3 |
| 4 | 1 | 00074362 | TOP GRATE MOD, 60X84X3 |
| 5 | 2 | 00053809-A | STOP, TP GRT, V-BOX FLAT, MS |
| 6 | 12 | 05010691 05016096 | BOLT, .5-13 X 1.50, G8, HHCS, ZINC BOLT, .5-13 X 1.50, HHCS, SST |
| 7 | 12 | 05020847 05020908 | NUT, .5-13, GC, TOP LOCK, C&W NUT, .5-13, NYLON LOCK, 316 SST |
| 8 | 24 | 05021005 05021391 | WASHER, .5, FLAT, MIL-CARB, SAE WASHER, .5, FLAT, SST |
| 9 | 2 | 00133482-A | MOUNTING PLATE, BEAM, MS |

00135017 TOP GRATE KIT, MCV, 132 X 84 X 3

| Item | Qty | Part Number | Description |
|------|-----|----------------------|---|
| 1 | 1 | 00135008 | BEAM WELDMENT, MCV, 11', MS |
| 2 | 4 | 00056016 | TOP GRATE WELDMENT, 48X84X3 |
| 3 | 2 | 00056000 | TOP GRATE WELDMENT, 36X84X3 |
| 4 | 2 | 00053809-A | STOP, TP GRT, V-BOX FLAT, MS |
| 5 | 2 | 00133482-A | MOUNTING PLATE, BEAM, MS |
| 6 | 12 | 05010691 05016096 | BOLT, .5-13 X 1.50, G8, HHCS, ZINC BOLT, .5-13 X 1.50, HHCS, SST |
| 7 | 12 | 05020847 05020908 | NUT, .5-13, GC, TOP LOCK, C&W NUT, .5-13, NYLON LOCK, 316 SST |
| 8 | 24 | 05021005 05021391 | WASHER, .5, FLAT, MIL-CARB, SAE WASHER, .5, FLAT, SST |

00133491 TOP GRATE KIT, MCV, DH, 132X84X3

| Item | Qty | Part Number | Description |
|------|-----|----------------------|---|
| 1 | 1 | 00135490 | BEAM WELDMENT, MCV, 11', MS(2) |
| 2 | 1 | 00067457 | TOP GRATE MOD, 48X84X3 |
| 3 | 1 | 00067458 | TOP GRATE MOD, 48X84X3 |
| 4 | 2 | 00056016 | TOP GRATE WELDMENT, 48X84X3 |
| 5 | 2 | 00056000 | TOP GRATE WELDMENT, 36X84X3 |
| 6 | 2 | 00053809-A | STOP, TP GRT, V-BOX FLAT, MS |
| 7 | 2 | 00133482-A | MOUNTING PLATE, BEAM, MS |
| 8 | 12 | 05010691 05016096 | BOLT, .5-13 X 1.50, G8, HHCS, ZINC BOLT, .5-13 X 1.50, HHCS, SST |
| 9 | 12 | 05020847 05020908 | NUT, .5-13, GC, TOP LOCK, C&W NUT, .5-13, NYLON LOCK, 316 SST |
| 10 | 24 | 05021005 05021391 | WASHER, .5, FLAT, MIL-CARB, SAE WASHER, .5, FLAT, SST |

00135018 TOP GRATE KIT, MCV, 144X84X3

| Item | Qty | Part Number | Description |
|------|-----|----------------------|---|
| 1 | 1 | 00135010 | BEAM WELDMENT, MCV, 12', MS |
| 2 | 6 | 00056016 | TOP GRATE WELDMENT, 48X84X3 |
| 3 | 2 | 00053809-A | STOP TOP GRATE, FLAT, MS |
| 4 | 12 | 05010691 05016096 | BOLT, .5-13 X 1.50, G8, HHCS, ZINC BOLT, .5-13 X 1.50, HHCS, SST |
| 5 | 12 | 05020847 05020908 | NUT, .5-13, GC, TOP LOCK, C&W NUT, .5-13, NYLON LOCK, 316 SST |
| 6 | 24 | 05021005 05021391 | WASHER, .5, FLAT, MIL-CARB, SAE WASHER, .5, FLAT, SST |
| 7 | 2 | 00133482-A | MOUNTING PLATE, BEAM, MS |

00135019 TOP GRATE KIT, MCV, 156 X 84 X 3

| Item | Qty | Part Number | Description |
|------|-----|----------------------|---|
| 1 | 1 | 00135011 | BEAM WELDMENT, MCV, 13', MS |
| 2 | 4 | 00056016 | TOP GRATE WELDMENT, 48X84X3 |
| 3 | 2 | 00056024 | TOP GRATE WELDMENT, 60X84X3 |
| 4 | 1 | 00053809-A | STOP, TP GRT, V-BOX FLAT, MS |
| 5 | 1 | 00157509-A | STOP TOP GRATE, V-BOX, .625, MS |
| 6 | 2 | 00133482-A | MOUNTING PLATE, BEAM, MS |
| 7 | 12 | 05010691 05016096 | BOLT, .5-13 X 1.50, G8, HHCS, ZINC BOLT, .5-13 X 1.50, HHCS, SST |
| 8 | 12 | 05020847 05020908 | NUT, .5-13, GC, TOP LOCK, C&W NUT, .5-13, NYLON LOCK, 316 SST |
| 9 | 24 | 05021005 05021391 | WASHER, .5, FLAT, MIL-CARB, SAE WASHER, .5, FLAT, SST |

00135020 TOP GRATE KIT, MCV, 168 X 84 X 3

| Item | Qty | Part Number | Description |
|------|-----|----------------------|---|
| 1 | 1 | 00135012 | BEAM WELDMENT, MCV, 14', MS |
| 2 | 2 | 00056016 | TOP GRATE WELDMENT, 48X84X3 |
| 3 | 4 | 00056024 | TOP GRATE WELDMENT, 60X84X3 |
| 4 | 1 | 00053809-A | STOP, TP GRT, V-BOX FLAT, MS |
| 5 | 1 | 00157510-A | STOP TOP GRATE, VBOX, 1.375, MS |
| 6 | 4 | 00133482-A | MOUNTING PLATE, BEAM, MS |
| 7 | 14 | 05010691 05016096 | BOLT, .5-13 X 1.50, G8, HHCS, ZINC BOLT, .5-13 X 1.50, HHCS, SST |
| 8 | 14 | 05020847 05020908 | NUT, .5-13, GC, TOP LOCK, C&W NUT, .5-13, NYLON LOCK, 316 SST |
| 9 | 28 | 05021005 05021391 | WASHER, .5, FLAT, MIL-CARB, SAE WASHER, .5, FLAT, SST |

00133627 TOP GRATE KIT, MCV, 180X84X3

| Item | Qty | Part Number | Description |
|------|-----|----------------------|---|
| 1 | 1 | 00132499 | BEAM WELDMENT, MCV, 15', MS |
| 2 | 6 | 00056024 | TOP GRATE WELDMENT, 48X84X3 |
| 3 | 1 | 00010020-A | STOP TOP GRATE, 1.0, MS |
| 4 | 1 | 00010021-A | STOP TOP GRATE V-BOX, 2.3 MS |
| 5 | 14 | 05010691 05016096 | BOLT, .5-13 X 1.50, G8, HHCS, ZINC BOLT, .5-13 X 1.50, HHCS, SST |
| 6 | 14 | 05020847 05020908 | NUT, .5-13, GC, TOP LOCK, C&W NUT, .5-13, NYLON LOCK, 316 SST |
| 7 | 28 | 05021005 05021391 | WASHER, .5, FLAT, MIL-CARB, SAE WASHER, .5, FLAT, SST |
| 8 | 4 | 00133482-A | MOUNTING PLATE, BEAM, MS |

00135021 TOP GRATE KIT, MCV, 192 X 84 X 3

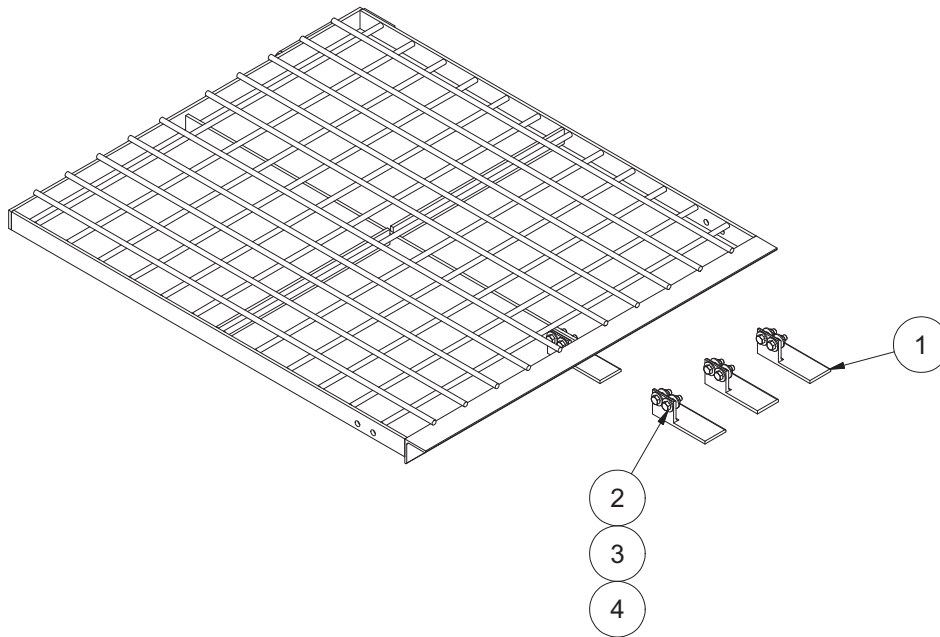
| Item | Qty | Part Number | Description |
|------|-----|----------------------|---|
| 1 | 1 | 00142575 | BEAM WELDMENT, MCV, 16', MS |
| 2 | 8 | 00056016 | TOP GRATE WELDMENT, 48X84X3 |
| 3 | 1 | 00157510-A | STOP TOP GRATE, 1.375 MS |
| 4 | 1 | 00053809-A | STOP TOP GRATE, FLAT, MS |
| 5 | 4 | 00133482-A | MOUNTING PLATE, BEAM, MS |
| 6 | 14 | 05010691 05016096 | BOLT, .5-13 X 1.50, G8, HHCS, ZINC BOLT, .5-13 X 1.50, HHCS, SST |
| 7 | 14 | 05020847 05020908 | NUT, .5-13, GC, TOP LOCK, C&W NUT, .5-13, NYLON LOCK, 316 SST |
| 8 | 28 | 05021005 05021391 | WASHER, .5, FLAT, MIL-CARB, SAE WASHER, .5, FLAT, SST |

00135022 TOP GRATE KIT, MCV, 204X84X3

| Item | Qty | Part Number | Description |
|------|-----|----------------------|---|
| 1 | 1 | 00135014 | BEAM WELDMENT, MCV, 17' MS |
| 2 | 6 | 00056016 | TOP GRATE WELDMENT, 48X84X3 |
| 3 | 2 | 00056024 | TOP GRATE WELDMENT, 60X84X3 |
| 4 | 1 | 00053809-A | STOP TOP GRATE, V-BOX, FLAT, MS |
| 5 | 1 | 00010021-A | STOP TOP GRATE, 2.3 MS |
| 6 | 14 | 05010691 05016096 | BOLT, .5-13 X 1.50, G8, HHCS, ZINC BOLT, .5-13 X 1.50, HHCS, SST |
| 7 | 14 | 05020847 05020908 | NUT, .5-13, GC, TOP LOCK, C&W NUT, .5-13, NYLON LOCK, 316 SST |
| 8 | 28 | 05021005 05021391 | WASHER, .5, FLAT, MIL-CARB, SAE WASHER, .5, FLAT, SST |
| 9 | 4 | 00133482-A | MOUNTING PLATE, BEAM, MS |

00135023 TOP GRATE KIT, MCV, 216X84X3

| Item | Qty | Part Number | Description |
|------|-----|----------------------|---|
| 1 | 1 | 00135015 | BEAM WELDMENT, MCV, 18' MS |
| 2 | 4 | 00056016 | TOP GRATE WELDMENT, 48X84X3 |
| 3 | 4 | 00056024 | TOP GRATE WELDMENT, 60X84X3 |
| 4 | 1 | 00053809-A | STOP TOP GRATE, V-BOX, FLAT, MS |
| 5 | 1 | 00157512-A | STOP TOP GRATE, 3.375 MS |
| 6 | 14 | 05010691 05016096 | BOLT, .5-13 X 1.50, G8, HHCS, ZINC BOLT, .5-13 X 1.50, HHCS, SST |
| 7 | 14 | 05020847 05020908 | NUT, .5-13, GC, TOP LOCK, C&W NUT, .5-13, NYLON LOCK, 316 SST |
| 8 | 28 | 05021005 05021391 | WASHER, .5, FLAT, MIL-CARB, SAE WASHER, .5, FLAT, SST |
| 9 | 4 | 00133482-A | MOUNTING PLATE, BEAM, MS |



LOCK KIT, TOP GRATE

| Item | Qty. | Part Number | Description |
|------|-----------|----------------------|--|
| 1 | See Chart | 00023754 | LOCK, TOP GRATE |
| 2 | See Chart | 05010644 05016034 | BOLT, .375-16 X 1.25, G8, HHCS, ZINC BOLT, .375-16 X 1, HHCS, SST |
| 3 | See Chart | 05020898 05020891 | NUT, .375-16, GC, TOP LOCK, C&W NUT, .375-16 NYLON LOCK, 316 SST |
| 4 | See Chart | 05021307 05021390 | WASHER, .375, FLAT, ZINC WASHER, .375, FLAT, SST |

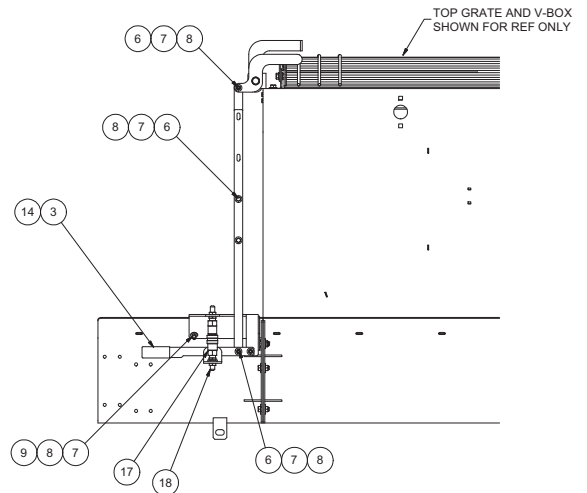
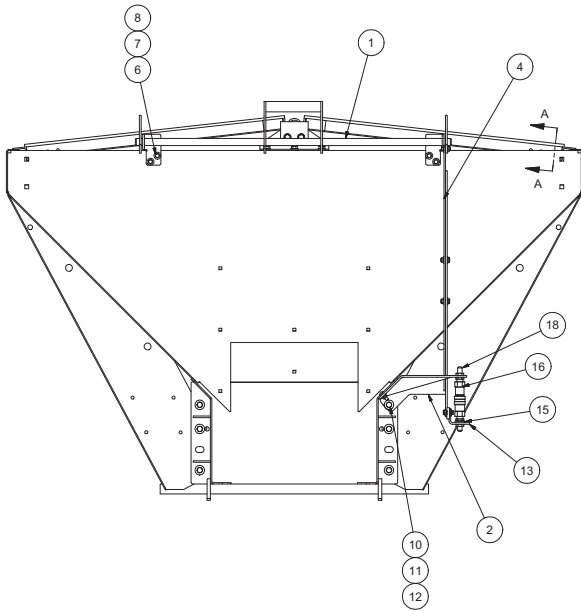
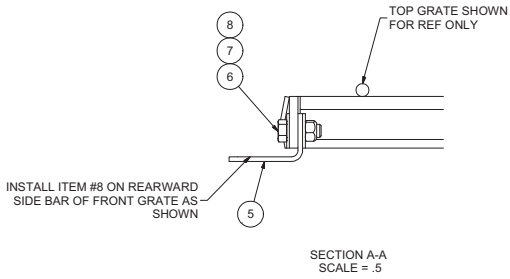
Quantity:

Body Length 8'-10': Lock (4); Bolt & Nut (8); Washer (16)

Body Length 11'-15': Lock (6); Bolt & Nut (12); Washer (24)

Body Length 16'-18': Lock (8); Bolt & Nut (16); Washer (32)

HYDRAULIC INTERLOCK SHUT OFF KITS



00133684 HYD INT SHUTOFF KIT, .5 CPLR, 2GRT/SD

| ITEM | QTY | PART NUMBER | DESCRIPTION |
|------|-----|---------------|--------------------------------|
| 1 | 1 | 00130765-A | BAR WLDMT,MSV AUG,INT SHUTOFF |
| 1 | 1 | 00130765-B | BAR WLDMT,MSV AUG,INT SHUTOFF |
| 1 | 1 | 00130765-C | BAR WLDMT,MSV AUG,INT SHUTOFF |
| 2 | 1 | 00133685-A | MTG PL WLDMT, .50 CPLR,MCV,HYD |
| 2 | 1 | 00133685-B | MTG PL WLDMT, .50 CPLR,MCV,HYD |
| 2 | 1 | 00133685-C | MTG PL WLDMT, .50 CPLR,MCV,HYD |
| 3 | 1 | 00130781-A | CONNECTION LEVER,MSV AUG,INT |
| 3 | 1 | 00130781-B | CONNECTION LEVER,MSV AUG,INT |
| 3 | 1 | 00130781-C | CONNECTION LEVER,MSV AUG,INT |
| 4 | 2 | 00130783-A | LINKAGE BAR,MSV AUG,INT |
| 4 | 2 | 00130783-B | LINKAGE BAR,MSV AUG,INT |
| 4 | 2 | 00130783-B | LINKAGE BAR,MSV AUG,INT |
| 5 | 2 | 00130782-A | LOCKING BRKT,TPG,MSV AUG,INT |
| 5 | 2 | 00130782-B | LOCKING BRKT,TPG,MSV AUG,INT |
| 5 | 2 | 00130782-C | LOCKING BRKT,TPG,MSV AUG,INT |
| 6 | 14 | 05010643 | BOLT .375-16 x 1.00 G8 HHCS ZC |
| 6 | 14 | 05016034 | BOLT .375-16 x 1.00 HHCS SST |
| 7 | 15 | 05020898 | NUT .375-16 GC TOPLOCK C&W |
| 7 | 15 | 05020891 | NUT .375-16 NYLON LOCK 316 SST |
| 8 | 29 | 05021307 | WASHER .375 FLAT ZC |
| 8 | 29 | 05021390 | WASHER .375 FLAT SST |
| 9 | 1 | 05013987 | BOLT .375-16 x 1.25 G5 CRG ZC |
| 9 | 1 | 05016746 | BOLT .375-16 x 1.25 CRG SST |
| 10 | 1 | 05010692 | BOLT .500-13 x 1.75 G8 HHCS ZC |
| 10 | 1 | 05016204 | BOLT .500-13 x 1.75 HHCS SST |
| 11 | 1 | 05020847 | NUT .500-13 GC TOPLOCK C&W |
| 11 | 1 | 05020908 | NUT .500-13 NYLON LOCK 316 SST |
| 12 | 2 | 05021309 | WASHER .500 FLAT ZC |
| 12 | 2 | 05021391 | WASHER .500 FLAT SST |
| 13 | 1 | 00133682-A | CONNECTION PL,HYD INTRPT,MCV |
| 13 | 1 | 00133682-B | CONNECTION PL,HYD INTRPT,MCV |
| 13 | 1 | 00133682-C | CONNECTION PL,HYD INTRPT,MCV |
| 14 | 1 | 05052759 | HANDLE,GRIP,RECTANGULAR,.25 X |
| 15 | 1 | 05038270 | GASKET,FLANGE,1",EPDM,MANIFOLD |
| 16 | 1 | FF-502-8FP | HYD FITNG,COUPLER HYD,PARKER |
| 17 | 1 | FF-501-8FP | HYD FITNG,COUPLER HYD,PARKER |
| 18 | 2 | 2706-LN-8-8 | HYD FITNG,ASSY,BHD CONNECTOR |
| 18 | 2 | SS2706-LN-8-8 | HYD FITNG,ASSY,BHD CONNECTOR |

00133686 HYD INT SHUTOFF KIT, MCV AUG .5 CPLR, 3GRT/SD

| ITEM | QTY | PART NUMBER | DESCRIPTION |
|------|-----|---------------|-----------------------------------|
| 1 | 1 | 00130765-A | BAR WLDMT,MSV AUG,INT SHUTOFF |
| 1 | 1 | 00130765-B | BAR WLDMT,MSV AUG,INT SHUTOFF |
| 1 | 1 | 00130765-C | BAR WLDMT,MSV AUG,INT SHUTOFF |
| 2 | 1 | 00133685-A | MTG PL WLDMT,.50 CPLR,MCV,HYD |
| 2 | 1 | 00133685-B | MTG PL WLDMT,.50 CPLR,MCV,HYD |
| 2 | 1 | 00133685-C | MTG PL WLDMT,.50 CPLR,MCV,HYD |
| 3 | 1 | 00130781-A | CONNECTION LEVER,MSV AUG,INT |
| 3 | 1 | 00130781-B | CONNECTION LEVER,MSV AUG,INT |
| 3 | 1 | 00130781-C | CONNECTION LEVER,MSV AUG,INT |
| 4 | 2 | 00130783-A | LINKAGE BAR,MSV AUG,INT |
| 4 | 2 | 00130783-B | LINKAGE BAR,MSV AUG,INT |
| 4 | 2 | 00130783-B | LINKAGE BAR,MSV AUG,INT |
| 5 | 4 | 00130782-A | LOCKING BRKT,TPG,MSV AUG,INT |
| 5 | 4 | 00130782-B | LOCKING BRKT,TPG,MSV AUG,INT |
| 5 | 4 | 00130782-C | LOCKING BRKT,TPG,MSV AUG,INT |
| 6 | 18 | 05010643 | BOLT .375-16 x 1.00 G8 HHCS ZC |
| 6 | 18 | 05016034 | BOLT .375-16 x 1.00 HHCS SST |
| 7 | 19 | 05020898 | NUT .375-16 GC TOPLOCK C&W |
| 7 | 19 | 05020891 | NUT .375-16 NYLON LOCK 316 SST |
| 8 | 37 | 05021307 | WASHER .375 FLAT ZC |
| 8 | 37 | 05021390 | WASHER .375 FLAT SST |
| 9 | 1 | 05013987 | BOLT .375-16 x 1.25 G5 CRG ZC |
| 9 | 1 | 05016746 | BOLT .375-16 x 1.25 CRG SST |
| 10 | 1 | 05010692 | BOLT .500-13 x 1.75 G8 HHCS ZC |
| 10 | 1 | 05016204 | BOLT .500-13 x 1.75 HHCS SST |
| 11 | 1 | 05020847 | NUT .500-13 GC TOPLOCK C&W |
| 11 | 1 | 05020908 | NUT .500-13 NYLON LOCK 316 SST |
| 12 | 2 | 05021309 | WASHER .500 FLAT ZC |
| 12 | 2 | 05021391 | WASHER .500 FLAT SST |
| 13 | 1 | 00133682-A | CONNECTION PL,HYD INTRPT,MCV |
| 13 | 1 | 00133682-B | CONNECTION PL,HYD INTRPT,MCV |
| 13 | 1 | 00133682-C | CONNECTION PL,HYD INTRPT,MCV |
| 14 | 1 | 05052759 | HANDLE,GRIP,RECTANGULAR,.25 X |
| 15 | 1 | 05038270 | GASKET,FLANGE,1",EPDM,MANIFOLD |
| 16 | 1 | FF-502-8FP | HYD FITNG,COUPLER HYD,PARKER |
| 17 | 1 | FF-501-8FP | HYD FITNG,COUPLER HYD,PARKER |
| 18 | 2 | 2706-LN-8-8 | HYD FITNG,ASSY,BHD CONNECTOR |
| 18 | 2 | SS2706-LN-8-8 | HYD FITNG,ASSY,BHD CONNECTOR, SST |

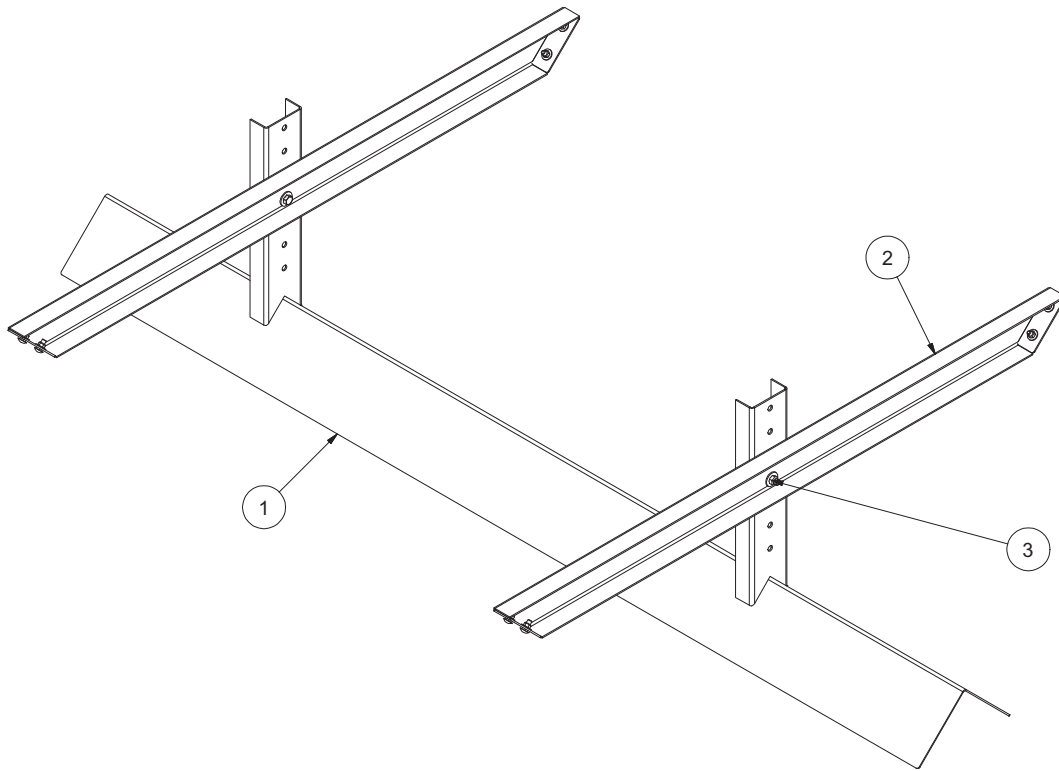
00137732 HYD INT SHUTOFF KIT, MCV AUG, .5 CPLR, 4GT/SD

| ITEM | QTY | PART NUMBER | DESCRIPTION |
|------|-----|---------------|--------------------------------|
| 1 | 1 | 00130765-A | BAR WLDMT,MSV AUG,INT SHUTOFF |
| 1 | 1 | 00130765-B | BAR WLDMT,MSV AUG,INT SHUTOFF |
| 1 | 1 | 00130765-C | BAR WLDMT,MSV AUG,INT SHUTOFF |
| 2 | 1 | 00133685-A | MTG PL WLDMT,.50 CPLR,MCV,HYD |
| 2 | 1 | 00133685-B | MTG PL WLDMT,.50 CPLR,MCV,HYD |
| 2 | 1 | 00133685-C | MTG PL WLDMT,.50 CPLR,MCV,HYD |
| 3 | 1 | 00130781-A | CONNECTION LEVER,MSV AUG,INT |
| 3 | 1 | 00130781-B | CONNECTION LEVER,MSV AUG,INT |
| 3 | 1 | 00130781-C | CONNECTION LEVER,MSV AUG,INT |
| 4 | 2 | 00130783-A | LINKAGE BAR,MSV AUG,INT |
| 4 | 2 | 00130783-B | LINKAGE BAR,MSV AUG,INT |
| 5 | 6 | 00130782-A | LOCKING BRKT,TPG,MSV AUG,INT |
| 5 | 6 | 00130782-B | LOCKING BRKT,TPG,MSV AUG,INT |
| 5 | 6 | 00130782-C | LOCKING BRKT,TPG,MSV AUG,INT |
| 6 | 22 | 05010643 | BOLT .375-16 x 1.00 G8 HHCS ZC |
| 6 | 22 | 05016034 | BOLT .375-16 x 1.00 HHCS SST |
| 7 | 23 | 05020898 | NUT .375-16 GC TOPLOCK C&W |
| 7 | 23 | 05020891 | NUT .375-16 NYLON LOCK 316 SST |
| 8 | 45 | 05021307 | WASHER .375 FLAT ZC |
| 8 | 45 | 05021390 | WASHER .375 FLAT SST |
| 9 | 1 | 05013987 | BOLT .375-16 x 1.25 G5 CRG ZC |
| 9 | 1 | 05016746 | BOLT .375-16 x 1.25 CRG SST |
| 10 | 1 | 05010692 | BOLT .500-13 x 1.75 G8 HHCS ZC |
| 10 | 1 | 05016204 | BOLT .500-13 x 1.75 HHCS SST |
| 11 | 1 | 05020847 | NUT .500-13 GC TOPLOCK C&W |
| 11 | 1 | 05020908 | NUT .500-13 NYLON LOCK 316 SST |
| 12 | 2 | 05021309 | WASHER .500 FLAT ZC |
| 12 | 2 | 05021391 | WASHER .500 FLAT SST |
| 13 | 1 | 00133682-A | CONNECTION PL,HYD INTRPT,MCV |
| 13 | 1 | 00133682-B | CONNECTION PL,HYD INTRPT,MCV |
| 13 | 1 | 00133682-C | CONNECTION PL,HYD INTRPT,MCV |
| 14 | 1 | 05052759 | HANDLE,GRIP,RECTANGULAR,.25 X |
| 15 | 1 | 05038270 | GASKET,FLANGE,1",EPDM,MANIFOLD |
| 16 | 1 | FF-502-8FP | HYD FITNG,COUPLER HYD,PARKER |
| 17 | 1 | FF-501-8FP | HYD FITNG,COUPLER HYD,PARKER |
| 18 | 2 | 2706-LN-8-8 | HYD FITNG,ASSY,BHD CONNECTOR |
| 18 | 2 | SS2706-LN-8-8 | HYD FITNG,ASSY,BHD CONNECTOR |

OPTIONS

00050710 WINCH KIT, 800#, RH, W/ BRAKE & LIFT LOOP
00050711 WINCH KIT, 800#, LH, W/ BRAKE & LIFT LOOP

| Item | Qty | Part Number | Description |
|------|--------|----------------------|--|
| 1 | 1 | 05050112 | WINCH, RATCHET, W/ BRAKE |
| 2 | 1 | 05051162 | CABLE ASSEMBLY |
| 3 | 1 | 05051155 | CABLE BLOCK/SWIVEL |
| 4 | 1 1 | 00029944 00029943 | BRACKET, WINCH, RH BRACKET, WINCH, LH |
| 5 | 1 | 00050716 | LIFT LOOP WELDMENT |
| 6 | 1 | 05016909 | U-BOLT, RND, .375-16, 1.25 X 2.50 ZINC |
| 7 | 8 | 05010644 | BOLT, $\frac{3}{8}$ -16 X 1 $\frac{1}{4}$, G8, HHCS, ZINC |
| 8 | 10 | 05020898 | NUT, $\frac{3}{8}$ -16, GC, TOP LOCK, C&W |
| 9 | 20 | 05021307 | WASHER, $\frac{3}{8}$, FLAT, ZINC |



INVERTED V KIT

| Item | Qty. | Part Number | Description |
|------|--------|--|--|
| 1 | 1 | 00026220-A 00026220-B 00026220-E 00026221-A 00026221-B 00026221-E 00026222-A 00026222-B 00026222-D 00026223-A 00026223-B 00026223-D 00026224-A 00026224-B 00026224-D | INVERTED V WELDMENT, 8-9, MS INVERTED V WELDMENT, 8-9, 304SST INVERTED V WELDMENT, 8-9, AUSST INVERTED V WELDMENT, 10-11, MS INVERTED V WELDMENT, 10-11, 304SST INVERTED V WELDMENT, 10-11, AUSST INVERTED V WELDMENT, 12-13, MS INVERTED V WELDMENT, 12-13, 304SST INVERTED V WELDMENT, 12-13, AUSST INVERTED V WELDMENT, 14-15, MS INVERTED V WELDMENT, 14-15, 304 SST INVERTED V WELDMENT, 14-15, AUSST INVERTED V WELDMENT, 16-17, MS INVERTED V WELDMENT, 16-17, 304SST INVERTED V WELDMENT, 16-17, AUSST |
| 2 | 2 OR 3 | 00131221-A 00131221-B 00131221-C | CROSS CHANNEL WELDMENT, INVT V, MS CROSS CHANNEL WELDMENT, INVT V, 304SST CROSS CHANNEL WELDMENT, INVT V, AUSST |
| 3 | 1 | 00131240-A 00131240-B 00132494-A 00132494-B | BOLT KIT, INVERTED V MCV 8-13, MS BOLT KIT, INVERTED V MCV 8-13, SST BOLT KIT, INVERTED V MCV 14-17, MS BOLT KIT, INVERTED V MCV 14-17, SST |

00012828 LIGHT KIT, SLIP IN

| Item | Qty | Part Number | Description |
|------|-------|--------------------------|---|
| 1 | 2 | 00053259-A 00053259-B | Guard, Clearance Light, MS Guard, Clearance Light, 304 SST |
| 2 | 2 | 05041078 | Light Red, Clearance |
| 3 | 1 | 05041079 | Light, Red, 3 Bar Cluster |
| 4 | 2 | 05051433 | Reflector, Red, Stick-On |
| 5 | 2 | 05051434 | Reflector, Amber, Stick-On |
| 6 | 12 FT | 05041313 | Cable Wire, 14 Gauge/ 2 Conductor |
| 7 | 4 | 05052474 | Clamp, 1/4" ID, Cushioned Metal, SST |
| 8 | 6 | 05010593 | Bolt, 1/4-20 x 1, G8, HHCs, Zinc |
| 9 | 6 | 05020899 | Nut, 1/4-20, Top Lock, Zinc |
| 10 | 10 | 05016060 | Screw, 310-24 x 1, PH, TRS, HD |
| 11 | 10 | 05020964 | Nut, #10-24, Nylon Lock, 316 SST |

00012831 LIGHT KIT, STOP/TURN/TAIL, PAIR

| Item | Qty | Part Number | Description |
|------|-------|-------------|------------------------------------|
| 1 | 2 | 05041080 | Light, Stop/Turn/Tail |
| 2 | 10 FT | 05041314 | Cable Wire, 14 Gauge, /3 Conductor |

00012829 4" SPOT LIGHT

| Item | Qty | Part Number | Description |
|------|-----|-------------|-----------------------------|
| 1 | 1 | 05041088 | Light, Spot, Rubber Housing |

00012836 LIGHT KIT, JUNCTION BOX ASSEMBLY

| Item | Qty | Part Number | Description |
|------|-----|-------------|----------------------------------|
| 1 | 1 | 05041583 | Plug, 7-Pole Molded w/ 10' Cable |
| 2 | 1 | 05041094 | Junction Box, 4" Round |

LAMP KIT, AMBER (2) 7" FLASHING

| Item | Qty | Part Number | Description |
|------|-----|----------------------|--|
| 1 | 1 | 05041085 05041763 | LAMP KIT, AMBER, (2) 7" FLASHING HAZARD LIGHT LAMP KIT, AMBER (2) 7" FLASHING LED |

BAR LIGHTS

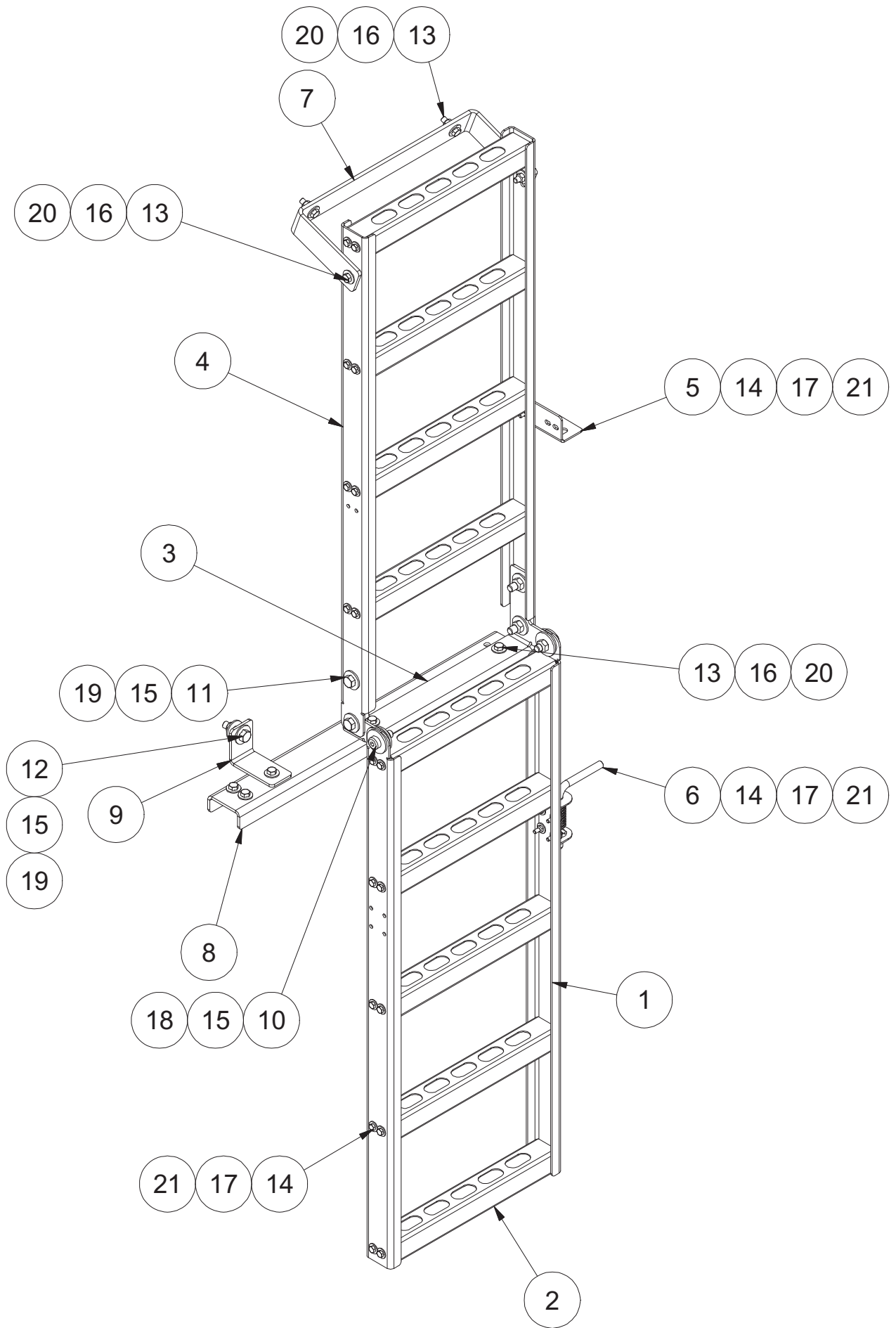
| Item | Qty | Part Number | Description |
|------|-----|-------------|-------------------------------|
| 1 | 1 | 00056063-A | Bar Light, 30, MS |
| | | 00056063-B | Bar Light, 30, 304 SST |
| | | 00056063-D | Bar Light, 30, Corten |
| | | 00145951-A | Bar Light, 72, S/T/T, MS |
| | | 00145951-B | Bar Light, 72, S/T/T, 304 SST |
| | | | |

00088776 LIGHT KIT, S/T/T, LED

| Item | Qty | Part Number | Description |
|------|-------|-------------|------------------------------------|
| 1 | 2 | 05041609 | Light, Stop/Turn/Tail, Betts LED |
| 2 | 10 FT | 05041314 | Cable Wire, 14 Gauge, /3 Conductor |

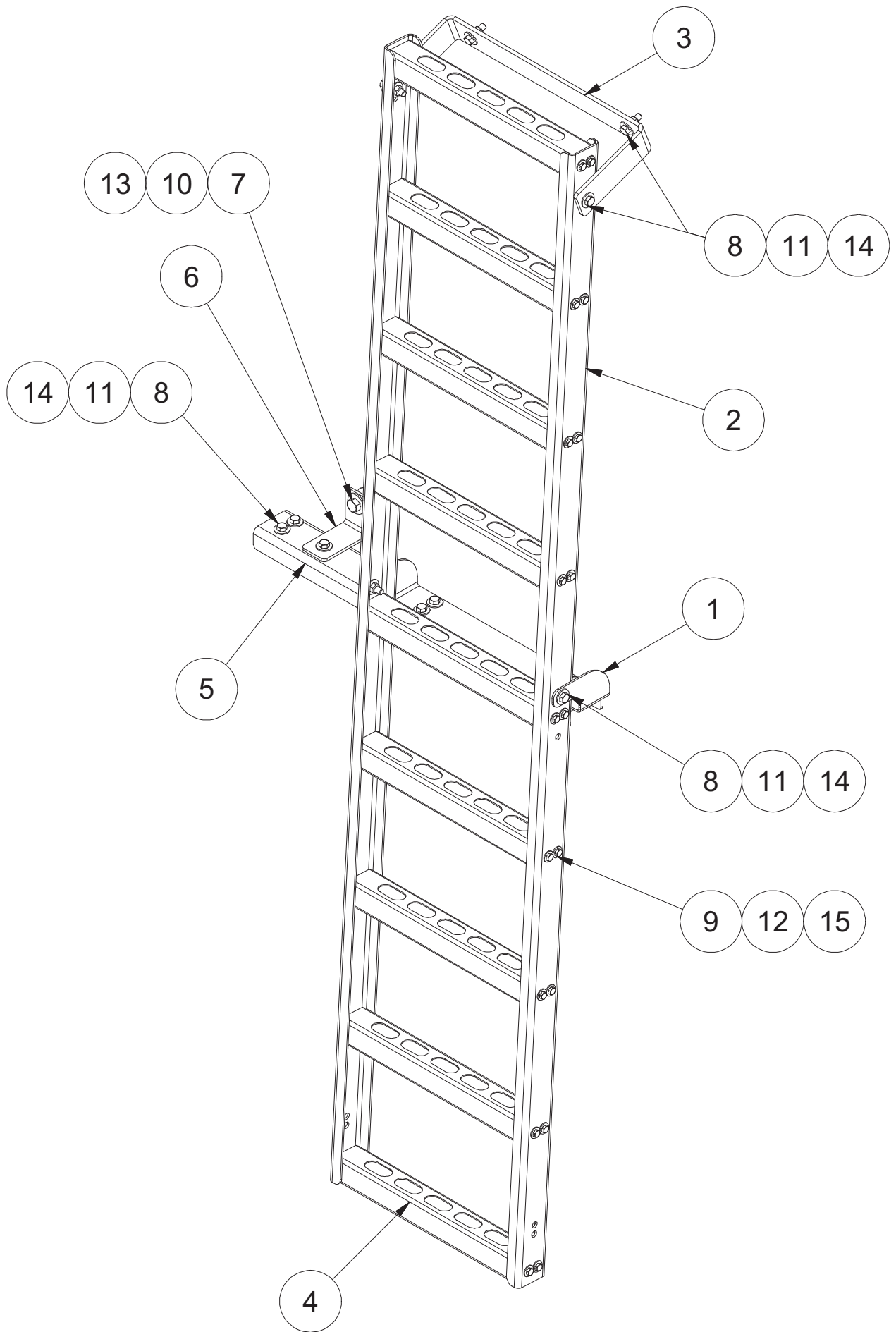
00088775 LIGHT KIT, SLIP IN, LED

| Item | Qty | Part Number | Description |
|------|-------|-------------|---------------------------------------|
| 1 | 2 | 00053259-A | Guard, Clearance Light, MS |
| | | 00053259-B | Guard, Clearance Light, 304 SST |
| 2 | 2 | 05041596 | Light, Red, Clearance, Betts, LED |
| 3 | 1 | 05014597 | Light, Red, 3 bar Cluster, Betts, LED |
| 4 | 2 | 05051433 | Reflector, Red, Stick-On |
| 5 | 2 | 05051434 | Reflector, Amber, Stick-On |
| 6 | 12 FT | 05041313 | Cable Wire, 14 Gauge/ 2 Conductor |
| 7 | 4 | 05052474 | Clamp, 1/2" ID, Cushioned Metal |
| 8 | 6 | 05010593 | Bolt, 1/4-20 x 1, G8, HHCs, Zinc |
| 9 | 6 | 05020899 | Nut, 1/4-20, Top Lock, Zinc |
| 10 | 10 | 05016060 | Screw, 310-24 x 1, PH, TRS, HD |
| 11 | 10 | 05020964 | Nut, #10-24, Nylon Lock, 316 SST |



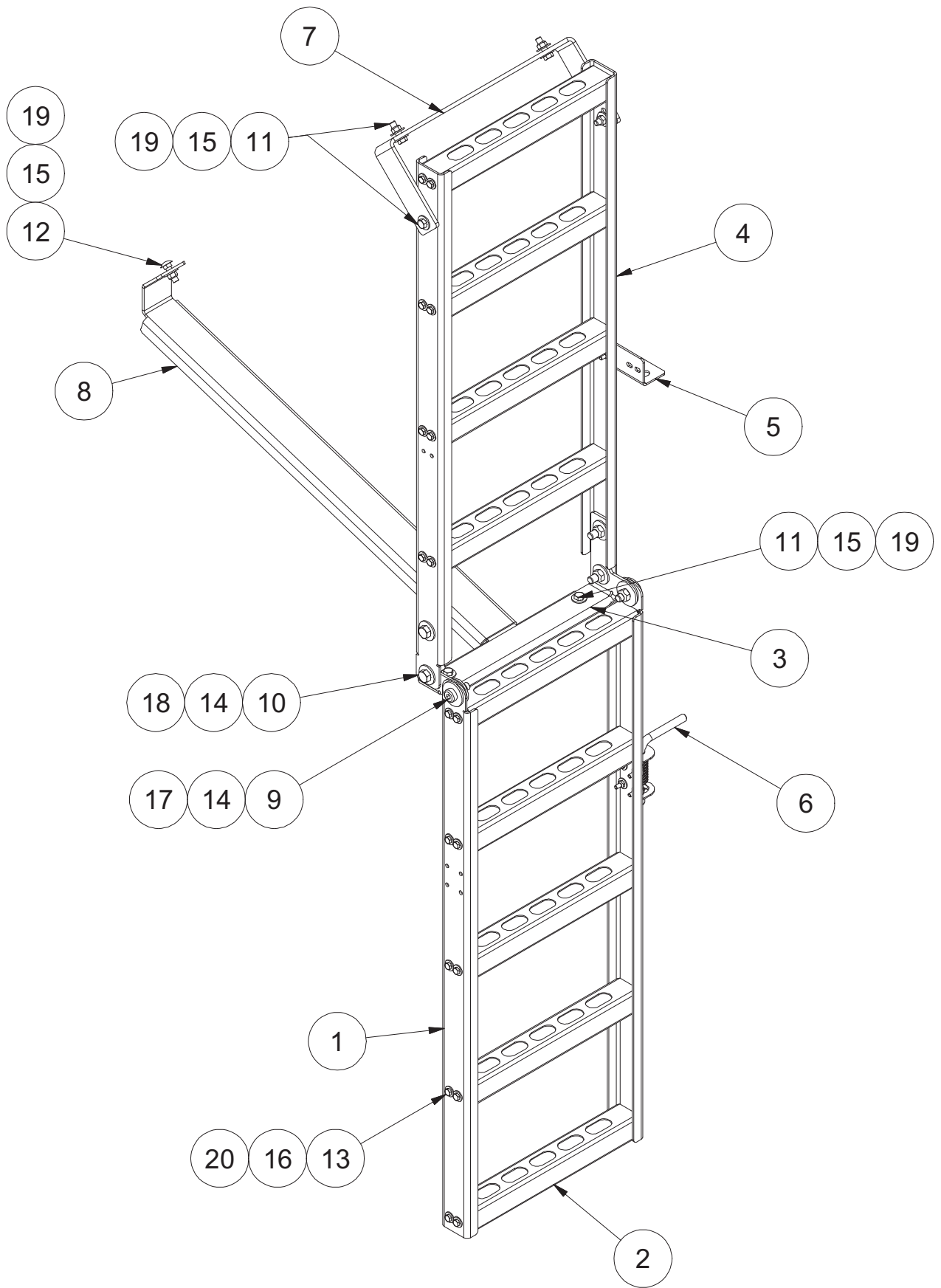
00135067 LADDER KIT, MCV, RR MT, SWING UP

| ITEM | QTY | PART NUMBER | DESCRIPTION |
|------|-----|-------------|--------------------------------|
| 1 | 2 | 00135066-A | RAIL,SIDE,LADDER,MCV,LWR,MS |
| 1 | 2 | 00135066-B | RAIL,SIDE,LADDER,MCV,LWR,304 |
| 1 | 2 | 00135066-C | RAIL,SIDE,LADDER,MCV,LWR,AUSST |
| 2 | 9 | 00131698-A | RUNG,LADDER,RDS,MS |
| 2 | 9 | 00131698-B | RUNG,LADDER,RDS,304 |
| 3 | 1 | 00131697-A | HINGE PL,LADDER,RDS,MS |
| 3 | 1 | 00131697-B | HINGE PL,LADDER,RDS,304 |
| 3 | 1 | 00131697-C | HINGE PL,LADDER,RDS,AUSST |
| 4 | 2 | 00135065-A | RAIL,SIDE,LADDER,MCV,UPR,MS |
| 4 | 2 | 00135065-B | RAIL,SIDE,LADDER,MCV,UPR,304 |
| 4 | 2 | 00135065-C | RAIL,SIDE,LADDER,MCV,UPR,AUSST |
| 5 | 1 | 00131699-A | LATCH BRACKET,LADDER,RDS,MS |
| 5 | 1 | 00131699-B | LATCH BRACKET,LADDER,RDS,304 |
| 5 | 1 | 00131699-C | LATCH BRACKET,LADDER,RDS,AUSST |
| 6 | 1 | 05050289 | LATCH,SPRING,1/2" PIN |
| 7 | 1 | 00135068-A | MTG PL,LADDER,MCV,RR MT,MS |
| 7 | 1 | 00135068-B | MTG PL,LADDER,MCV,RR MT,304 |
| 8 | 1 | 00135288-A | SUPPORT CHAN,LADDER,MCV,RR MT |
| 8 | 1 | 00135288-B | SUPPORT CHAN,LADDER.MCV,RR,MT |
| 8 | 1 | 00135288-C | SUPPORT CHAN,LADDER.MCV,RR,MT |
| 9 | 1 | 00145911-A | BRACE,LADDER,MCV,RR MT,MS |
| 9 | 1 | 00145911-B | BRACE,LADDER,MCV,RR MT,304 |
| 9 | 1 | 00145911-C | BRACE,LADDER,MCV,RR MT,AUSST |
| 10 | 2 | 05017048 | BOLT .500-13x.750,.625x.625 |
| 11 | 4 | 05010691 | BOLT .500-13 x 1.50 G8 HHCS ZC |
| 11 | 4 | 05016096 | BOLT .500-13 x 1.50 HHCS SST |
| 12 | 1 | 05010692 | BOLT .500-13 x 1.75 G8 HHCS ZC |
| 12 | 1 | 05016204 | BOLT .500-13 x 1.75 HHCS SST |
| 13 | 9 | 05010644 | BOLT .375-16 x 1.25 G8 HHCS ZC |
| 13 | 9 | 05016049 | BOLT .375-16 x 1.25 HHCS SST |
| 14 | 42 | 05010593 | BOLT .250-20 x 1.00 G8 HHCS ZC |
| 14 | 42 | 05016040 | BOLT .250-20 x 1.00 HHCS SST |
| 15 | 7 | 05020847 | NUT .500-13 GC TOPLOCK C&W |
| 15 | 7 | 05020908 | NUT .500-13 NYLON LOCK 316 SST |
| 16 | 9 | 05020898 | NUT .375-16 GC TOPLOCK C&W |
| 16 | 9 | 05020891 | NUT .375-16 NYLON LOCK 316 SST |
| 17 | 42 | 05020899 | NUT .250-20 GC TOPLOCK C&W |
| 17 | 42 | 05020906 | NUT .250-20 NYLON LOCK 316 SST |
| 18 | 4 | 05021311 | WASHER .625 FLAT ZC |
| 18 | 4 | 05021406 | WASHER .625 FLAT SST |
| 19 | 10 | 05021309 | WASHER .500 FLAT ZC |
| 19 | 10 | 05021391 | WASHER .500 FLAT SST |
| 20 | 18 | 05021307 | WASHER .375 FLAT ZC |
| 20 | 18 | 05021390 | WASHER .375 FLAT SST |
| 21 | 84 | 05021305 | WASHER .250 FLAT ZC |
| 21 | 84 | 05021403 | WASHER .250 FLAT SST |



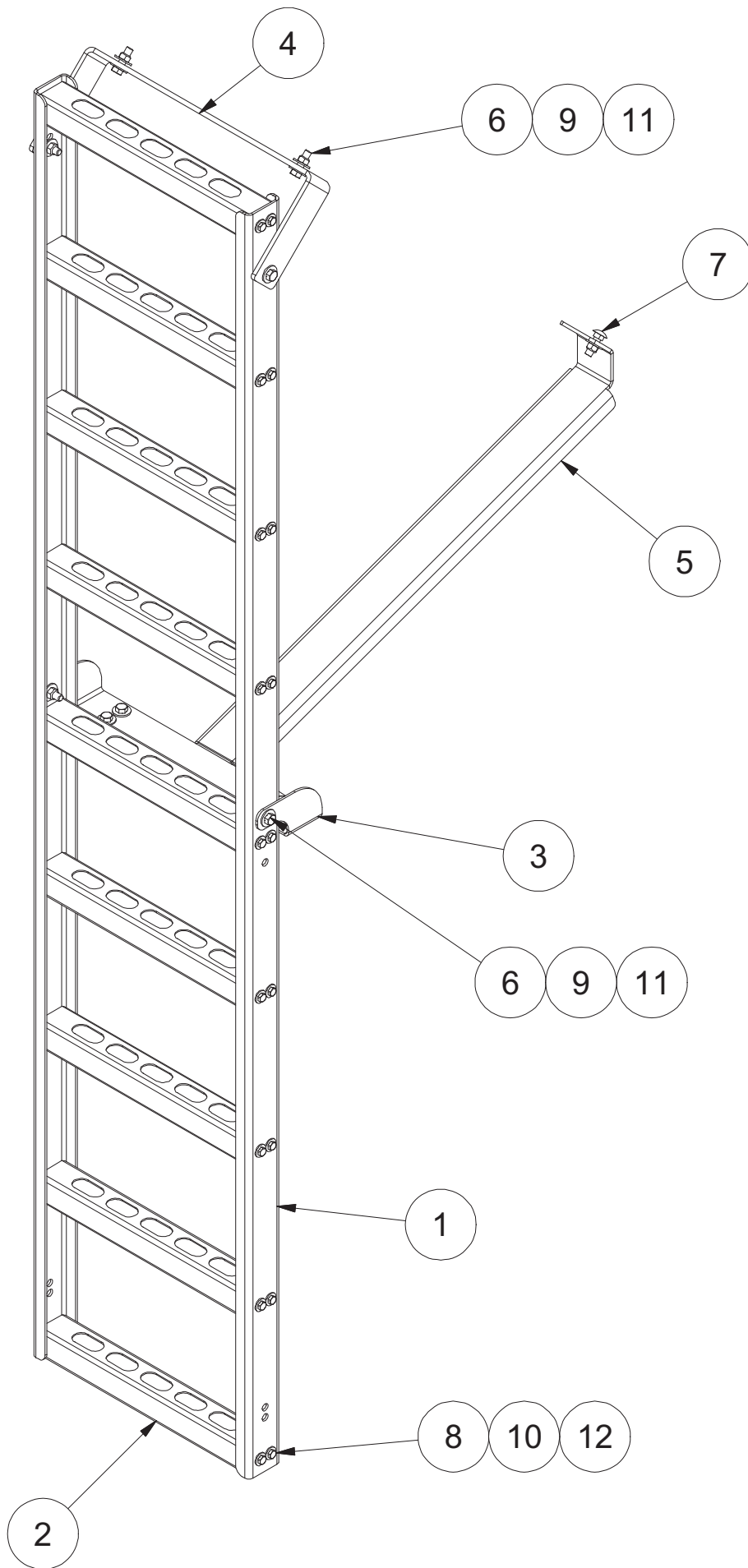
00135097 LADDER KIT, MCV, RR MOUNT

| ITEM | QTY | PART NUMBER | DESCRIPTION |
|------|-----|-------------|--------------------------------|
| 1 | 1 | 00135096-A | BRACKET,LADDER MT,MCV,1PC,MS |
| 1 | 1 | 00135096-B | BRACKET,LADDER MT,MCV,1PC,304 |
| 1 | 1 | 00135096-C | BRACKET,LADDER MT,MCV,1PC,AUSS |
| 2 | 2 | 00135095-A | RAIL,LADDER,MCV,1PC,MS |
| 2 | 2 | 00135095-B | RAIL,LADDER,MCV,1PC,304 |
| 2 | 2 | 00135095-C | RAIL,LADDER,MCV,1PC,AUSST |
| 3 | 1 | 00135068-A | MTG PL,LADDER,MCV,RR MT,MS |
| 3 | 1 | 00135068-B | MTG PL,LADDER,MCV,RR MT,304 |
| 3 | 1 | 00135068-B | MTG PL,LADDER,MCV,RR MT,304 |
| 4 | 9 | 00131698-A | RUNG,LADDER,RDS,MS |
| 4 | 9 | 00131698-B | RUNG,LADDER,RDS,304 |
| 4 | 9 | 00131698-B | RUNG,LADDER,RDS,304 |
| 5 | 1 | 00135288-A | SUPPORT CHAN,LADDER,MCV,RR MT |
| 5 | 1 | 00135288-B | SUPPORT CHAN,LADDER.MCV,RR,MT |
| 5 | 1 | 00135288-C | SUPPORT CHAN,LADDER.MCV,RR,MT |
| 6 | 1 | 00145911-A | BRACE,LADDER,MCV,RR MT,MS |
| 6 | 1 | 00145911-B | BRACE,LADDER,MCV,RR MT,304 |
| 6 | 1 | 00145911-C | BRACE,LADDER,MCV,RR MT,AUSST |
| 7 | 1 | 05010692 | BOLT .500-13 x 1.75 G8 HHCS ZC |
| 7 | 1 | 05016204 | BOLT .500-13 x 1.75 HHCS SST |
| 8 | 13 | 05010644 | BOLT .375-16 x 1.25 G8 HHCS ZC |
| 8 | 13 | 05016049 | BOLT .375-16 x 1.25 HHCS SST |
| 9 | 36 | 05010593 | BOLT .250-20 x 1.00 G8 HHCS ZC |
| 9 | 36 | 05016040 | BOLT .250-20 x 1.00 HHCS SST |
| 10 | 1 | 05020847 | NUT .500-13 GC TOPLOCK C&W |
| 10 | 1 | 05020908 | NUT .500-13 NYLON LOCK 316 SST |
| 11 | 13 | 05020898 | NUT .375-16 GC TOPLOCK C&W |
| 11 | 13 | 05020891 | NUT .375-16 NYLON LOCK 316 SST |
| 12 | 36 | 05020899 | NUT .250-20 GC TOPLOCK C&W |
| 12 | 36 | 05020906 | NUT .250-20 NYLON LOCK 316 SST |
| 13 | 2 | 05021309 | WASHER .500 FLAT ZC |
| 13 | 2 | 05021391 | WASHER .500 FLAT SST |
| 14 | 26 | 05021307 | WASHER .375 FLAT ZC |
| 14 | 26 | 05021390 | WASHER .375 FLAT SST |
| 15 | 72 | 05021305 | WASHER .250 FLAT ZC |
| 15 | 72 | 05021403 | WASHER .250 FLAT SST |



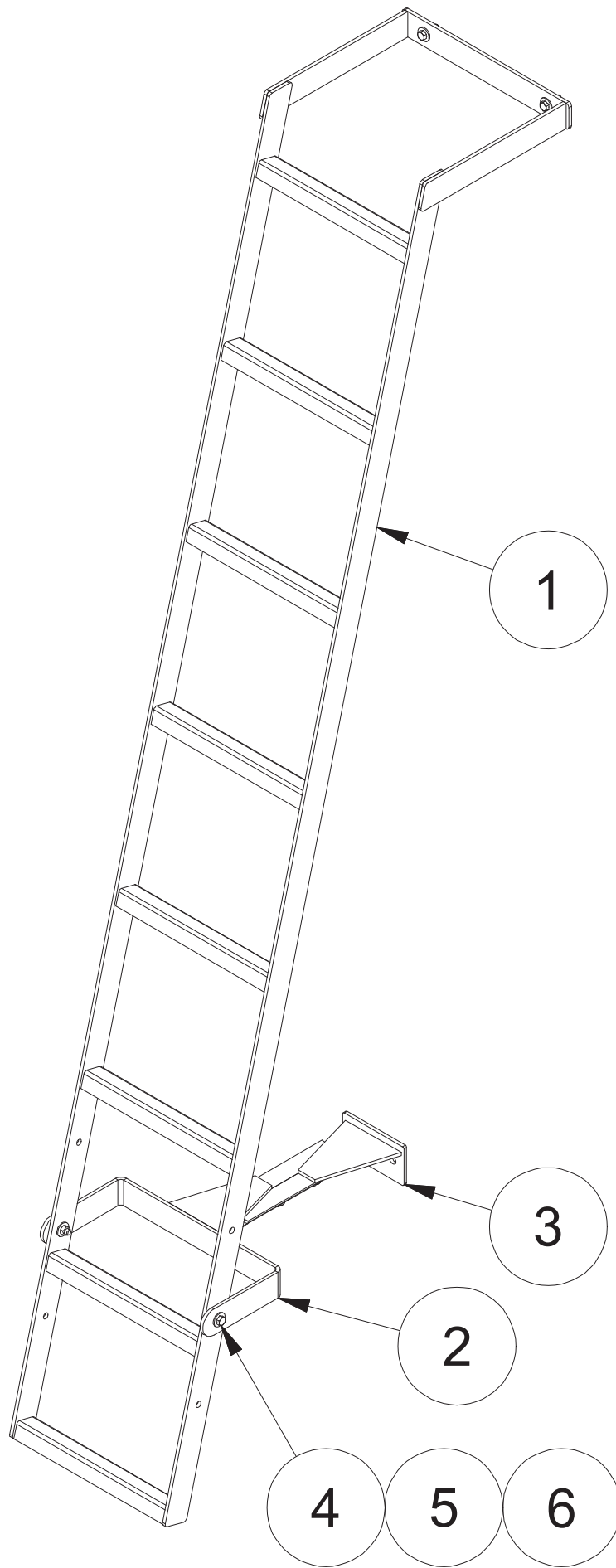
00137706 LADDER KIT, MCV, SIDE MOUNT SWING UP

| ITEM | QTY | PART NUMBER | DESCRIPTION |
|------|-----|-------------|--------------------------------|
| 1 | 2 | 00135066-A | RAIL,SIDE,LADDER,MCV,LWR,MS |
| 1 | 2 | 00135066-B | RAIL,SIDE,LADDER,MCV,LWR,304 |
| 1 | 2 | 00135066-C | RAIL,SIDE,LADDER,MCV,LWR,AUSST |
| 2 | 9 | 00131698-A | RUNG,LADDER,RDS,MS |
| 2 | 9 | 00131698-B | RUNG,LADDER,RDS,304 |
| 2 | 9 | 00131698-B | RUNG,LADDER,RDS,304 |
| 3 | 1 | 00131697-A | HINGE PL,LADDER,RDS,MS |
| 3 | 1 | 00131697-B | HINGE PL,LADDER,RDS,304 |
| 3 | 1 | 00131697-C | HINGE PL,LADDER,RDS,AUSST |
| 4 | 2 | 00135065-A | RAIL,SIDE,LADDER,MCV,UPR,MS |
| 4 | 2 | 00135065-B | RAIL,SIDE,LADDER,MCV,UPR,304 |
| 4 | 2 | 00135065-C | RAIL,SIDE,LADDER,MCV,UPR,AUSST |
| 5 | 1 | 00131699-A | LATCH BRACKET,LADDER,RDS,MS |
| 5 | 1 | 00131699-B | LATCH BRACKET,LADDER,RDS,304 |
| 5 | 1 | 00131699-C | LATCH BRACKET,LADDER,RDS,AUSST |
| 6 | 1 | 05050289 | LATCH,SPRING,1/2" PIN |
| 7 | 1 | 00135068-A | MTG PL,LADDER,MCV,RR MT,MS |
| 7 | 1 | 00135068-B | MTG PL,LADDER,MCV,RR MT,304 |
| 8 | 1 | 00137719-A | BRACE,LADDER,MCV,SD MT,SWG-UP |
| 8 | 1 | 00137719-B | BRACE,LADDER,MCV,SD MT,SWG-UP |
| 8 | 1 | 00137719-C | BRACE,LADDER,MCV,SD MT,SWG-UP |
| 9 | 2 | 05017048 | BOLT .500-13x.750,.625x.625 |
| 10 | 4 | 05010691 | BOLT .500-13 x 1.50 G8 HHCS ZC |
| 10 | 4 | 05016096 | BOLT .500-13 x 1.50 HHCS SST |
| 11 | 6 | 05010644 | BOLT .375-16 x 1.25 G8 HHCS ZC |
| 11 | 6 | 05016049 | BOLT .375-16 x 1.25 HHCS SST |
| 12 | 1 | 05013987 | BOLT .375-16 x 1.25 G5 CRG ZC |
| 12 | 1 | 05016746 | BOLT .375-16 x 1.25 CRG SST |
| 13 | 42 | 05010593 | BOLT .250-20 x 1.00 G8 HHCS ZC |
| 13 | 42 | 05016040 | BOLT .250-20 x 1.00 HHCS SST |
| 14 | 6 | 05020847 | NUT .500-13 GC TOPLOCK C&W |
| 14 | 6 | 05020908 | NUT .500-13 NYLON LOCK 316 SST |
| 15 | 7 | 05020898 | NUT .375-16 GC TOPLOCK C&W |
| 15 | 7 | 05020891 | NUT .375-16 NYLON LOCK 316 SST |
| 16 | 42 | 05020899 | NUT .250-20 GC TOPLOCK C&W |
| 16 | 42 | 05020906 | NUT .250-20 NYLON LOCK 316 SST |
| 17 | 4 | 05021311 | WASHER .625 FLAT ZC |
| 17 | 4 | 05021406 | WASHER .625 FLAT SST |
| 18 | 8 | 05021309 | WASHER .500 FLAT ZC |
| 18 | 8 | 05021391 | WASHER .500 FLAT SST |
| 19 | 13 | 05021307 | WASHER .375 FLAT ZC |
| 19 | 13 | 05021390 | WASHER .375 FLAT SST |
| 20 | 84 | 05021305 | WASHER .250 FLAT ZC |
| 20 | 84 | 05021403 | WASHER .250 FLAT SST |



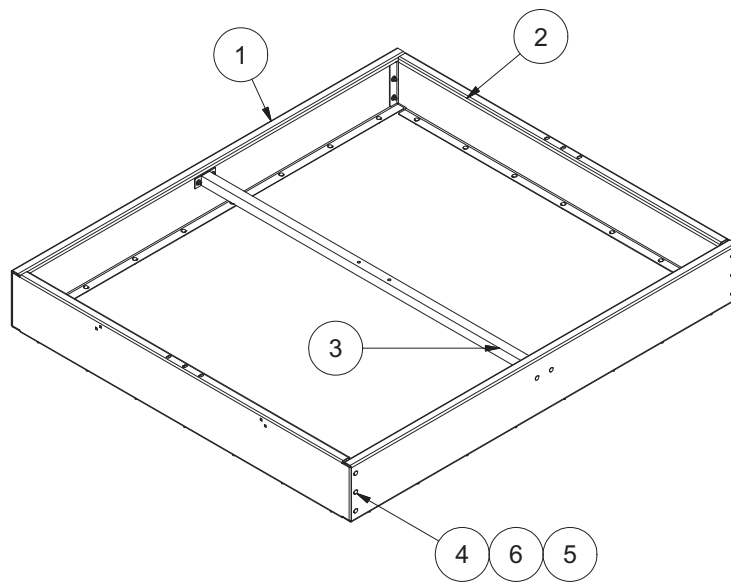
00137710 LADDER KIT,MCV, SIDE MOUNT

| ITEM | QTY | PART NUMBER | DESCRIPTION |
|------|-----|-------------|--------------------------------|
| 1 | 2 | 00135095-A | RAIL,LADDER,MCV,1PC,MS |
| 1 | 2 | 00135095-B | RAIL,LADDER,MCV,1PC,304 |
| 1 | 2 | 00135095-C | RAIL,LADDER,MCV,1PC,AUSS |
| 2 | 9 | 00131698-A | RUNG,LADDER,RDS,MS |
| 2 | 9 | 00131698-B | RUNG,LADDER,RDS,304 |
| 2 | 9 | 00131698-B | RUNG,LADDER,RDS,304 |
| 3 | 1 | 00135096-A | BRACKET,LADDER MT,MCV,1PC,MS |
| 3 | 1 | 00135096-B | BRACKET,LADDER MT,MCV,1PC,304 |
| 3 | 1 | 00135096-C | BRACKET,LADDER MT,MCV,1PC,AUSS |
| 4 | 1 | 00135068-A | MTG PL,LADDER,MCV,RR MT,MS |
| 4 | 1 | 00135068-B | MTG PL,LADDER,MCV,RR MT,304 |
| 5 | 1 | 00137720-A | BRACE,LADDER,MCV,SD MT |
| 5 | 1 | 00137720-B | BRACE,LADDER,MCV,SD MT |
| 5 | 1 | 00137720-C | BRACE,LADDER,MCV,SD MT |
| 6 | 10 | 05010644 | BOLT .375-16 x 1.25 G8 HHCS ZC |
| 6 | 10 | 05016049 | BOLT .375-16 x 1.25 HHCS SST |
| 7 | 1 | 05013987 | BOLT .375-16 x 1.25 G5 CRG ZC |
| 7 | 1 | 05016746 | BOLT .375-16 x 1.25 CRG SST |
| 8 | 36 | 05010593 | BOLT .250-20 x 1.00 G8 HHCS ZC |
| 8 | 36 | 05016040 | BOLT .250-20 x 1.00 HHCS SST |
| 9 | 11 | 05020898 | NUT .375-16 GC TOPLOCK C&W |
| 9 | 11 | 05020891 | NUT .375-16 NYLON LOCK 316 SST |
| 10 | 36 | 05020899 | NUT .250-20 GC TOPLOCK C&W |
| 10 | 36 | 05020906 | NUT .250-20 NYLON LOCK 316 SST |
| 11 | 21 | 05021307 | WASHER .375 FLAT ZC |
| 11 | 21 | 05021390 | WASHER .375 FLAT SST |
| 12 | 72 | 05021305 | WASHER .250 FLAT ZC |
| 12 | 72 | 05021403 | WASHER .250 FLAT SST |



00136580 LADDER KIT, MCV, COMBO

| ITEM | QTY | PART NUMBER | DESCRIPTION |
|------|-----|-------------|---------------------------------|
| 1 | 1 | 00136579-A | LADDER WLDMT,MCV,COMBO,MS |
| 1 | 1 | 00136579-B | LADDER WLDMT,MCV,COMBO,304 |
| 2 | 1 | 00086368-A | BRACE WLDMT,LADDER,MV/MSV,FR |
| 2 | 1 | 00086368-B | BRACE WLDMT,LADDER,MV/MSV,FR |
| 3 | 1 | 00086369-A | BRACE WLDMT,LADDER,MV/MSV,RR |
| 3 | 1 | 00086369-B | BRACE WLDMT,LADDER,MV/MSV,RR |
| 4 | 6 | 05010644 | BOLT .375-16 x 1.25 G8 HHCS ZC |
| 4 | 6 | 05016049 | BOLT .375-16 x 1.25 HHCS, SST |
| 5 | 6 | 05020898 | NUT .375-16 GC TOPLOCK C&W |
| 5 | 6 | 05020891 | NUT .375-16 NYLON LOCK, 316 SST |
| 6 | 12 | 05021307 | WASHER .375 FLAT ZC |
| 6 | 12 | 05021390 | WASHER .375 FLAT ZC |



00142307 EXTENSION KIT, MCV, SIDE, 96X84X12, 10GA

| Item | Qty. | Part Number | Description |
|------|------|--|--|
| 1 | 2 | 00142300-A 00142300-B 00142300-C | EXTENSION, SD PANEL, MCV, 96X12, MS EXTENSION, SD PANEL, MCV, 96X12, 304SST EXTENSION, SD PANEL, MCV, 96X12, AUSST |
| 2 | 2 | 00135057-A 00135057-B 00135057-C | EXERTION, FR/RR PANEL, MCV, 84X12, MS EXERTION, FR/RR PANEL, MCV, 84X12, 304SST EXERTION, FR/RR PANEL, MCV, 84X12, AUSST |
| 3 | 1 | 00135286-A 00135286-B 00135286-C | CROSS ANGLE WELDMENT, MCV, BM MT, MS CROSS ANGLE WELDMENT, MCV, BM MT, 304SST CROSS ANGLE WELDMENT, MCV, BM MT, AUSST |
| 4 | 46 | 05013986 05016003 | BOLT, .375-16 X 1, G5, CARRIAGE, ZINC BOLT, .375-16 X 1, CARRIAGE, SST |
| 5 | 46 | 05021307 05021390 | WASHER, .375, FLAT, ZINC WASHER, .375, FLAT, SST |
| 6 | 46 | 05020898 05020891 | NUT, .375-16, GC, TOP LOCK, C&W NUT, .375-16, NYLON LOCK, 316 SST |

00142308 EXTENSION KIT, MCV, SIDE, 108X84X12, 10GA

| Item | Qty. | Part Number | Description |
|------|------|--|--|
| 1 | 2 | 00142301-A 00142301-B 00142301-C | EXTENSION, SD PANEL, MCV, 108X12, MS EXTENSION, SD PANEL, MCV, 108X12, 304SST EXTENSION, SD PANEL, MCV, 108X12, AUSST |
| 2 | 2 | 00135057-A 00135057-B 00135057-C | EXERTION, FR/RR PANEL, MCV, 84X12, MS EXERTION, FR/RR PANEL, MCV, 84X12, 304SST EXERTION, FR/RR PANEL, MCV, 84X12, AUSST |
| 3 | 1 | 00135286-A 00135286-B 00135286-C | CROSS ANGLE WELDMENT, MCV, BM MT, MS CROSS ANGLE WELDMENT, MCV, BM MT, 304SST CROSS ANGLE WELDMENT, MCV, BM MT, AUSST |
| 4 | 48 | 05013986 05016003 | BOLT, .375-16 X 1, G5, CARRIAGE, ZINC BOLT, .375-16 X 1, CARRIAGE, SST |
| 5 | 48 | 05021307 05021390 | WASHER, .375, FLAT, ZINC WASHER, .375, FLAT, SST |
| 6 | 48 | 05020898 05020891 | NUT, .375-16, GC, TOP LOCK, C&W NUT, .375-16, NYLON LOCK, 316 SST |

00135058 EXTENSION KIT, MCV, SIDE, 120X84X12, 10GA

| Item | Qty. | Part Number | Description |
|------|------|--|--|
| 1 | 2 | 00135056-A 00135056-B 00135056-C | EXTENSION, SD PANEL, MCV, 120X12, MS EXTENSION, SD PANEL, MCV, 120X12, 304SST EXTENSION, SD PANEL, MCV, 120X12, AUSST |
| 2 | 2 | 00135057-A 00135057-B 00135057-C | EXERTION, FR/RR PANEL, MCV, 84X12, MS EXERTION, FR/RR PANEL, MCV, 84X12, 304SST EXERTION, FR/RR PANEL, MCV, 84X12, AUSST |
| 3 | 1 | 00135286-A 00135286-B 00135286-C | CROSS ANGLE WELDMENT, MCV, BM MT, MS CROSS ANGLE WELDMENT, MCV, BM MT, 304SST CROSS ANGLE WELDMENT, MCV, BM MT, AUSST |
| 4 | 50 | 05013986 05016003 | BOLT, .375-16 X 1, G5, CARRIAGE, ZINC BOLT, .375-16 X 1, CARRIAGE, SST |
| 5 | 50 | 05021307 05021390 | WASHER, .375, FLAT, ZINC WASHER, .375, FLAT, SST |
| 6 | 50 | 05020898 05020891 | NUT, .375-16, GC, TOP LOCK, C&W NUT, .375-16, NYLON LOCK, 316 SST |

00142309 EXTENSION KIT, MCV, SIDE, 132X84X12, 10GA

| Item | Qty. | Part Number | Description |
|------|------|--|--|
| 1 | 2 | 00142302-A 00142302-B 00142302-C | EXTENSION, SD PANEL, MCV, 132X12, MS EXTENSION, SD PANEL, MCV, 132X12, 304SST EXTENSION, SD PANEL, MCV, 132X12, AUSST |
| 2 | 2 | 00135057-A 00135057-B 00135057-C | EXERTION, FR/RR PANEL, MCV, 84X12, MS EXERTION, FR/RR PANEL, MCV, 84X12, 304SST EXERTION, FR/RR PANEL, MCV, 84X12, AUSST |
| 3 | 1 | 00135286-A 00135286-B 00135286-C | CROSS ANGLE WELDMENT, MCV, BM MT, MS CROSS ANGLE WELDMENT, MCV, BM MT, 304SST CROSS ANGLE WELDMENT, MCV, BM MT, AUSST |
| 4 | 52 | 05013986 05016003 | BOLT, .375-16 X 1, G5, CARRIAGE, ZINC BOLT, .375-16 X 1, CARRIAGE, SST |
| 5 | 52 | 05021307 05021390 | WASHER, .375, FLAT, ZINC WASHER, .375, FLAT, SST |
| 6 | 52 | 05020898 05020891 | NUT, .375-16, GC, TOP LOCK, C&W NUT, .375-16, NYLON LOCK, 316 SST |

00142310 EXTENSION KIT, MCV, SIDE, 144X84X12, 10GA

| Item | Qty. | Part Number | Description |
|------|------|--|--|
| 1 | 2 | 00142303-A 00142303-B 00142303-C | EXTENSION, SD PANEL, MCV,144X12 |
| 2 | 2 | 00135057-A 00135057-B 00135057-C | EXERTION, FR/RR PANEL, MCV, 84X12, MS EXERTION, FR/RR PANEL, MCV, 84X12, 304SST EXERTION, FR/RR PANEL, MCV, 84X12, AUSST |
| 3 | 1 | 00135286-A 00135286-B 00135286-C | CROSS ANGLE WELDMENT, MCV, BM MT, MS CROSS ANGLE WELDMENT, MCV, BM MT, 304SST CROSS ANGLE WELDMENT, MCV, BM MT, AUSST |
| 4 | 54 | 05013986 05016003 | BOLT, .375-16 X 1, G5, CARRIAGE, ZINC BOLT, .375-16 X 1, CARRIAGE, SST |
| 5 | 54 | 05021307 05021390 | WASHER, .375, FLAT, ZINC WASHER, .375, FLAT, SST |
| 6 | 54 | 05020898 05020891 | NUT, .375-16, GC, TOP LOCK, C&W NUT, .375-16, NYLON LOCK, 316 SST |

00142311 EXTENSION KIT, MCV, SIDE, 156X84X12, 10GA

| Item | Qty. | Part Number | Description |
|------|------|--|--|
| 1 | 2 | 00142304-A 00142304-B 00142304-C | EXTENSION, SD PANEL, MCV, 156X12, MS EXTENSION, SD PANEL, MCV, 156X12, 304SST EXTENSION, SD PANEL, MCV, 156X12, AUSST |
| 2 | 2 | 00135057-A 00135057-B 00135057-C | EXERTION, FR/RR PANEL, MCV, 84X12, MS EXERTION, FR/RR PANEL, MCV, 84X12, 304SST EXERTION, FR/RR PANEL, MCV, 84X12, AUSST |
| 3 | 1 | 00135286-A 00135286-B 00135286-C | CROSS ANGLE WELDMENT, MCV, BM MT, MS CROSS ANGLE WELDMENT, MCV, BM MT, 304SST CROSS ANGLE WELDMENT, MCV, BM MT, AUSST |
| 4 | 56 | 05013986 05016003 | BOLT, .375-16 X 1, G5, CARRIAGE, ZINC BOLT, .375-16 X 1, CARRIAGE, SST |
| 5 | 56 | 05021307 05021390 | WASHER, .375, FLAT, ZINC WASHER, .375, FLAT, SST |
| 6 | 56 | 05020898 05020891 | NUT, .375-16, GC, TOP LOCK, C&W NUT, .375-16, NYLON LOCK, 316 SST |

00142312 EXTENSION KIT, MCV, SIDE, 168X84X12, 10GA

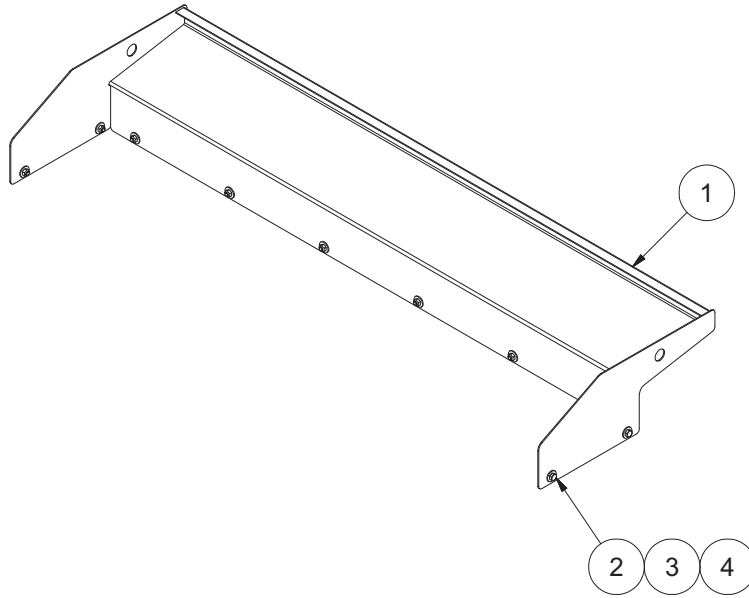
| Item | Qty. | Part Number | Description |
|------|------|--|--|
| 1 | 2 | 00142305-A 00142305-B 00142305-C | EXTENSION, SD PANEL, MCV, 168X12, MS EXTENSION, SD PANEL, MCV, 168X12, 304SST EXTENSION, SD PANEL, MCV, 168X12, AUSST |
| 2 | 2 | 00135057-A 00135057-B 00135057-C | EXERTION, FR/RR PANEL, MCV, 84X12, MS EXERTION, FR/RR PANEL, MCV, 84X12, 304SST EXERTION, FR/RR PANEL, MCV, 84X12, AUSST |
| 3 | 1 | 00135286-A 00135286-B 00135286-C | CROSS ANGLE WELDMENT, MCV, BM MT, MS CROSS ANGLE WELDMENT, MCV, BM MT, 304SST CROSS ANGLE WELDMENT, MCV, BM MT, AUSST |
| 4 | 62 | 05013986 05016003 | BOLT, .375-16 X 1, G5, CARRIAGE, ZINC BOLT, .375-16 X 1, CARRIAGE, SST |
| 5 | 62 | 05021307 05021390 | WASHER, .375, FLAT, ZINC WASHER, .375, FLAT, SST |
| 6 | 62 | 05020898 05020891 | NUT, .375-16, GC, TOP LOCK, C&W NUT, .375-16, NYLON LOCK, 316 SST |

00142313 EXTENSION KIT, MCV, SIDE, 180X84X12, 10GA

| Item | Qty. | Part Number | Description |
|------|------|--|--|
| 1 | 2 | 00142306-A 00142306-B 00142306-C | EXTENSION, SD PANEL, MCV, 180X12, MS EXTENSION, SD PANEL, MCV, 180X12, 304SST EXTENSION, SD PANEL, MCV, 180X12, AUSST |
| 2 | 2 | 00135057-A 00135057-B 00135057-C | EXERTION, FR/RR PANEL, MCV, 84X12, MS EXERTION, FR/RR PANEL, MCV, 84X12, 304SST EXERTION, FR/RR PANEL, MCV, 84X12, AUSST |
| 3 | 1 | 00135286-A 00135286-B 00135286-C | CROSS ANGLE WELDMENT, MCV, BM MT, MS CROSS ANGLE WELDMENT, MCV, BM MT, 304SST CROSS ANGLE WELDMENT, MCV, BM MT, AUSST |
| 4 | 64 | 05013986 05016003 | BOLT, .375-16 X 1, G5, CARRIAGE, ZINC BOLT, .375-16 X 1, CARRIAGE, SST |
| 5 | 64 | 05021307 05021390 | WASHER, .375, FLAT, ZINC WASHER, .375, FLAT, SST |
| 6 | 64 | 05020898 05020891 | NUT, .375-16, GC, TOP LOCK, C&W NUT, .375-16, NYLON LOCK, 316 SST |

BEARING GREASE EXT KIT, AUG, FR-RR

| Item | Qty. | Part Number | Description |
|------|------|--|--|
| 1 | 1 | 00053181-A | BRACKET, EXT, MS |
| 2 | 1 | 05051481 | ADAPTER, GREASE LINE, 14-28 UNF |
| 3 | 1 | 05050003 | GREASE FITTING, .125 NPT STRAIGHT |
| 4 | 1 | 05037660 | COUPLING, .125" NPT, GALV |
| 5 | 1 | 05039821 05037085 05037086 05037087 05037088 05037089 05037090 05037091 05037092 05038077 05038612 | HOSE ASSEMBLY, GREASE EXT/REAR 8' HOSE ASSEMBLY, GREASE EXT/REAR, 9' HOSE ASSEMBLY, GREASE EXT/REAR, 10' HOSE ASSEMBLY, GREASE EXT/REAR, 11' HOSE ASSEMBLY, GREASE EXT/REAR, 12' HOSE ASSEMBLY, GREASE EXT/REAR, 13' HOSE ASSEMBLY, GREASE EXT/REAR, 14' HOSE ASSEMBLY, GREASE EXT/REAR, 15' HOSE ASSEMBLY, GREASE EXT/REAR, 16' HOSE ASSEMBLY, GREASE EXT/REAR, 17' HOSE ASSEMBLY, GREASE EXT/REAR, 18' |
| 6 | 1 | 05052475 | CLAMP, .375" CUSHIONED METAL, #6, .5" WIDE, SST |
| 7 | 2 | 05016942 | SCREW, TEK #10-16X.75" 410 SST |
| 8 | --- | 05050744 | BUSHING, OPEN/CLOSED, SNAP, .453 ID |



| CABSHIELD KITS | | | |
|-----------------------|------|--|--|
| Item | Qty. | Part Number | Description |
| 1 | 1 | 00135061-A 00135061-B 00135061-C 00145307-A 00145307-B 00145307-C 00141765-A 00141765-B 00141765-C | CABSHIELD WELDMENT, MCV, 4X12X84, MS CABSHIELD WELDMENT, MCV, 4X12X84, 304SST CABSHIELD WELDMENT, MCV, 4X12X84, AUSST CABSHIELD WELDMENT, MCV, 4X24X84, MS CABSHIELD WELDMENT, MCV, 4X24X84, 304SST CABSHIELD WELDMENT, MCV, 4X24X84, AUSST CABSHIELD WELDMENT, MCV, 14X24X84, MS CABSHIELD WELDMENT, MCV, 14X24X84, 304SST CABSHIELD WELDMENT, MCV, 14X24X84, AUSST |
| 2 | 10 | 05010689 05016047 | BOLT, .5-13 X 1, G8, HHCS, ZINC BOLT, .5-13 X 1, HHCS, SST |
| 3 | 10 | 05020847 05020908 | NUT, .5-13, GC, TOP LOCK, C&W NUT, .5-13, NYLON LOCK, 316 SST |
| 4 | 20 | 05021309 05021391 | WASHER, .5, FLAT, ZINC WASHER, .5, FLAT, SST |

00056835 PIPE KIT, CHASSIS MT, 9'

| Item | Qty. | Part Number | Description |
|------|------|----------------------|---|
| 1 | 1 | 05038026 | TUBE, STEEL, 1.250, 84" OAL |
| 2 | 2 | 05038025 | TUBE, STEEL, .750, 84" OAL |
| 3 | 4 | 05050093 | CLAMP, UHMW, 2 PIECE, 1" X 2" X 7" |
| 4 | 12 | 05010653 05016046 | BOLT, .375-16 X 3.5, G8, HHCS, ZINC BOLT, .375-16 X 3.5, HHCS, SST |
| 5 | 12 | 05020898 05020891 | NUT, .375-16, TOP LOCK, C&W, GR C NUT, .375-16, NYLON LOCK, SST |
| 6 | 24 | 05021307 05021390 | WASHER, .375, FLAT, ZINC WASHER, .375, FLAT, SST |

00056836 PIPE KIT, CHASSIS MT, 10'

| Item | Qty. | Part Number | Description |
|------|------|----------------------|---|
| 1 | 1 | 05037418 | TUBE, STEEL, 1.250, 96" OAL |
| 2 | 2 | 05037417 | TUBE, STEEL, .750, 96" OAL |
| 3 | 4 | 05050093 | CLAMP, UHMW, 2 PIECE, 1" X 2" X 7" |
| 4 | 12 | 05010653 05016046 | BOLT, .375-16 X 3.5, G8, HHCS, ZINC BOLT, .375-16 X 3.5, HHCS, SST |
| 5 | 12 | 05020898 05020891 | NUT, .375-16, TOP LOCK, C&W, GR C NUT, .375-16, NYLON LOCK, SST |
| 6 | 24 | 05021307 05021390 | WASHER, .375, FLAT, ZINC WASHER, .375, FLAT, SST |

00056837 PIPE KIT, CHASSIS MT, 11'

| Item | Qty. | Part Number | Description |
|------|------|----------------------|---|
| 1 | 1 | 05051209 | TUBE, STEEL, 1.250, 108" OAL |
| 2 | 2 | 05051208 | TUBE, STEEL, .750, 108" OAL |
| 3 | 5 | 05050093 | CLAMP, UHMW, 2 PIECE, 1" X 2" X 7" |
| 4 | 15 | 05010653 05016046 | BOLT, .375-16 X 3.5, G8, HHCS, ZINC BOLT, .375-16 X 3.5, HHCS, SST |
| 5 | 15 | 05020898 05020891 | NUT, .375-16, TOP LOCK, C&W, GR C NUT, .375-16, NYLON LOCK, SST |
| 6 | 30 | 05021307 05021390 | WASHER, .375, FLAT, ZINC WASHER, .375, FLAT, SST |

00056838 PIPE KIT, CHASSIS MT, 12'

| Item | Qty. | Part Number | Description |
|------|------|----------------------|---|
| 1 | 1 | 05037427 | TUBE, STEEL, 1.250, 120" OAL |
| 2 | 2 | 05037426 | TUBE, STEEL, .750, 120" OAL |
| 3 | 5 | 05050093 | CLAMP, UHMW, 2 PIECE, 1" X 2" X 7" |
| 4 | 15 | 05010653 05016046 | BOLT, .375-16 X 3.5, G8, HHCS, ZINC BOLT, .375-16 X 3.5, HHCS, SST |
| 5 | 15 | 05020898 05020891 | NUT, .375-16, TOP LOCK, C&W, GR C NUT, .375-16, NYLON LOCK, SST |
| 6 | 30 | 05021307 05021390 | WASHER, .375, FLAT, ZINC WASHER, .375, FLAT, SST |

00056839 PIPE KIT, CHASSIS MT, 13'

| Item | Qty. | Part Number | Description |
|------|------|----------------------|---|
| 1 | 1 | 05051211 | TUBE, STEEL, 1.250, 132" OAL |
| 2 | 2 | 05051210 | TUBE, STEEL, .750, 132" OAL |
| 3 | 6 | 05050093 | CLAMP, UHMW, 2 PIECE, 1" X 2" X 7" |
| 4 | 18 | 05010653 05016046 | BOLT, .375-16 X 3.5, G8, HHCS, ZINC BOLT, .375-16 X 3.5, HHCS, SST |
| 5 | 18 | 05020898 05020891 | NUT, .375-16, TOP LOCK, C&W, GR C NUT, .375-16, NYLON LOCK, SST |
| 6 | 36 | 05021307 05021390 | WASHER, .375, FLAT, ZINC WASHER, .375, FLAT, SST |

00056840 PIPE KIT, CHASSIS MT, 14'

| Item | Qty. | Part Number | Description |
|------|------|----------------------|---|
| 1 | 1 | 05037034 | TUBE, STEEL, 1.250, 144" OAL |
| 2 | 2 | 05037035 | TUBE, STEEL, .750, 144" OAL |
| 3 | 6 | 05050093 | CLAMP, UHMW, 2 PIECE, 1" X 2" X 7" |
| 4 | 18 | 05010653 05016046 | BOLT, .375-16 X 3.5, G8, HHCS, ZINC BOLT, .375-16 X 3.5, HHCS, SST |
| 5 | 18 | 05020898 05020891 | NUT, .375-16, TOP LOCK, C&W, GR C NUT, .375-16, NYLON LOCK, SST |
| 6 | 36 | 05021307 05021390 | WASHER, .375, FLAT, ZINC WASHER, .375, FLAT, SST |

00056841 PIPE KIT, CHASSIS MT, 15'

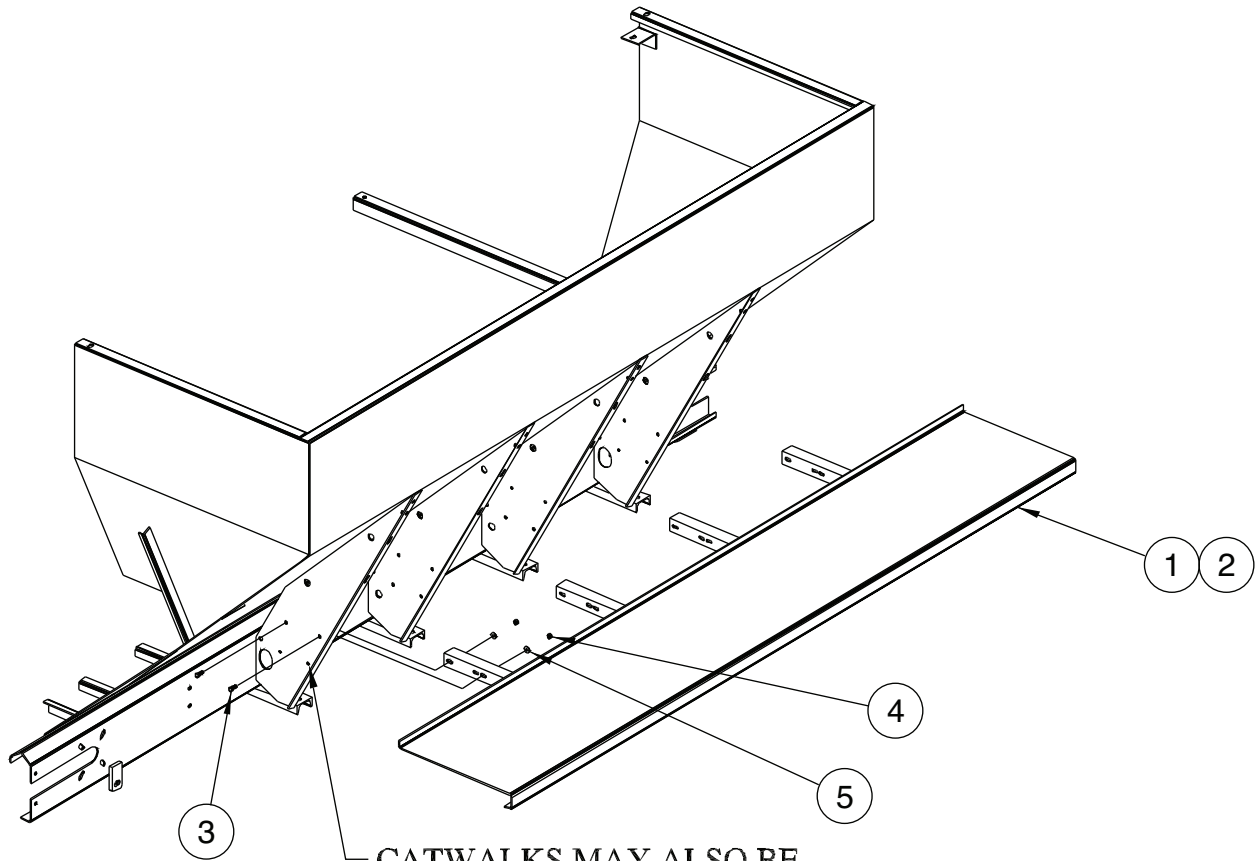
| Item | Qty. | Part Number | Description |
|------|------|----------------------|---|
| 1 | 1 | 05050027 | TUBE, STEEL, 1.250, 158" OAL |
| 2 | 2 | 05050026 | TUBE, STEEL, .750, 158" OAL |
| 3 | 7 | 05050093 | CLAMP, UHMW, 2 PIECE, 1" X 2" X 7" |
| 4 | 21 | 05010653 05016046 | BOLT, .375-16 X 3.5, G8, HHCS, ZINC BOLT, .375-16 X 3.5, HHCS, SST |
| 5 | 21 | 05020898 05020891 | NUT, .375-16, TOP LOCK, C&W, GR C NUT, .375-16, NYLON LOCK, SST |
| 6 | 42 | 05021307 05021390 | WASHER, .375, FLAT, ZINC WASHER, .375, FLAT, SST |

00056842 PIPE KIT, CHASSIS MT, 16'

| Item | Qty. | Part Number | Description |
|------|------|----------------------|---|
| 1 | 1 | 05050266 | TUBE, STEEL, 1.250, 168" OAL |
| 2 | 2 | 05050265 | TUBE, STEEL, .750, 168" OAL |
| 3 | 7 | 05050093 | CLAMP, UHMW, 2 PIECE, 1" X 2" X 7" |
| 4 | 21 | 05010653 05016046 | BOLT, .375-16 X 3.5, G8, HHCS, ZINC BOLT, .375-16 X 3.5, HHCS, SST |
| 5 | 21 | 05020898 05020891 | NUT, .375-16, TOP LOCK, C&W, GR C NUT, .375-16, NYLON LOCK, SST |
| 6 | 42 | 05021307 05021390 | WASHER, .375, FLAT, ZINC WASHER, .375, FLAT, SST |

00056843 PIPE KIT, CHASSIS MT, 17'

| Item | Qty. | Part Number | Description |
|------|------|----------------------|---|
| 1 | 1 | 05038141 | TUBE, STEEL, 1.250, 180" OAL |
| 2 | 2 | 05038140 | TUBE, STEEL, .750, 180" OAL |
| 3 | 8 | 05050093 | CLAMP, UHMW, 2 PIECE, 1" X 2" X 7" |
| 4 | 24 | 05010653 05016046 | BOLT, .375-16 X 3.5, G8, HHCS, ZINC BOLT, .375-16 X 3.5, HHCS, SST |
| 5 | 24 | 05020898 05020891 | NUT, .375-16, TOP LOCK, C&W, GR C NUT, .375-16, NYLON LOCK, SST |
| 6 | 48 | 05021307 05021390 | WASHER, .375, FLAT, ZINC WASHER, .375, FLAT, SST |



CATWALKS MAY ALSO BE MOUNTED IN LOWER HOLES IF DESIRED.

| 00042903 CATWALK KIT, 8'-9', PAIR | | | |
|--|------------|--------------------|--|
| Item | Qty | Part Number | Description |
| 1 | 1 | 00146206-A | CATWALK WELDMENT, V-BOX, RH, FL PL, MS |
| | | 00146206-B | CATWALK WELDMENT, V-BOX, RH, FL PL, 304SST |
| | | 00146206-C | CATWALK WELDMENT, V-BOX, RH, FL PL, AUSST |
| 2 | 1 | 00146212-A | CATWALK WELDMENT, V-BOX, LH, FL PL, MS |
| | | 00146212-B | CATWALK WELDMENT, V-BOX, LH, FL PL, 304SST |
| | | 00146212-C | CATWALK WELDMENT, V-BOX, LH, FL PL, AUSST |
| 3 | 12 | 05010643 | BOLT, .375-16 X 1, G8, HHCS, ZINC |
| | | 05016034 | BOLT, .375-16 X 1, HHCS, SST |
| 4 | 12 | 05020898 | NUT, .375-16, GC, TOP LOCK, C&W |
| | | 05020891 | NUT, .375-16, NYLON LOCK, 316 SST |
| 5 | 24 | 05021307 | WASHER, .375, FLAT, ZINC |
| | | 05021390 | WASHER, .375, FLAT, SST |

00042905 CATWALK KIT, 10'-11', PAIR

| Item | Qty | Part Number | Description |
|------|-----|--|---|
| 1 | 1 | 00146207-A 00146207-B 00146207-C | CATWALK WELDMENT, V-BOX, RH, FL PL, MS CATWALK WELDMENT, V-BOX, RH, FL PL, 304SST CATWALK WELDMENT, V-BOX, RH, FL PL, AUSST |
| 2 | 1 | 00146213-A 00146213-B 00146213-C | CATWALK WELDMENT, V-BOX, LH, FL PL, MS CATWALK WELDMENT, V-BOX, LH, FL PL, 304SST CATWALK WELDMENT, V-BOX, LH, FL PL, AUSST |
| 3 | 16 | 05010643 05016034 | BOLT, .375-16 X 1, G8, HHCS, ZINC BOLT, .375-16 X 1, HHCS, SST |
| 4 | 16 | 05020898 05020891 | NUT, .375-16, GC, TOP LOCK, C&W NUT, .375-16, NYLON LOCK, 316 SST |
| 5 | 32 | 05021307 05021390 | WASHER, .375, FLAT, ZINC WASHER, .375, FLAT, SST |

00042907 CATWALK KIT, 12'-13', PAIR

| Item | Qty | Part Number | Description |
|------|-----|--|--|
| 1 | 1 | 00146208-A 00146208-B 00146208-C | CATWALK WELDMENT, V-BOX, RH, FL PL, MS CATWALK WELDMENT, V-BOX, RH, FL PL, 304 SST CATWALK WELDMENT, V-BOX, RH, FL PL, AUSST |
| 2 | 1 | 00146214-A 00146214-B 00146214-C | CATWALK WELDMENT, V-BOX, LH, FL PL, MS CATWALK WELDMENT, V-BOX, LH, FL PL, 304SST CATWALK WELDMENT, V-BOX, LH, FL PL, AUSST |
| 3 | 20 | 05010643 05016034 | BOLT, .375-16 X 1, G8, HHCS, ZINC BOLT, .375-16 X 1, HHCS, SST |
| 4 | 20 | 05020898 05020891 | NUT, .375-16, GC, TOP LOCK, C&W NUT, .375-16, NYLON LOCK, 316 SST |
| 5 | 40 | 05021307 05021390 | WASHER, .375, FLAT, ZINC WASHER, .375, FLAT, SST |

00042909 CATWALK KIT, 14'-15', PAIR

| Item | Qty | Part Number | Description |
|------|-----|--|---|
| 1 | 1 | 00146209-A 00146209-B 00146209-C | CATWALK WELDMENT, V-BOX, RH, FL PL, MS CATWALK WELDMENT, V-BOX, RH, FL PL, 304SST CATWALK WELDMENT, V-BOX, RH, FL PL, AUSST |
| 2 | 1 | 00146215-A 00146215-B 00146215-C | CATWALK WELDMENT, V-BOX, LH, FL PL, MS CATWALK WELDMENT, V-BOX, LH, FL PL, 304SST CATWALK WELDMENT, V-BOX, LH, FL PL, AUSST |
| 3 | 24 | 05010643 05016034 | BOLT, .375-16 X 1, G8, HHCS, ZINC BOLT, .375-16 X 1, HHCS, SST |
| 4 | 24 | 05020898 05020891 | NUT, .375-16, GC, TOP LOCK, C&W NUT, .375-16, NYLON LOCK, 316 SST |
| 5 | 48 | 05021307 05021390 | WASHER, .375, FLAT, ZINC WASHER, .375, FLAT, SST |

00042911 CATWALK KIT, 16'-17', PAIR

| Item | Qty | Part Number | Description |
|------|-----|-------------|--|
| 1 | 1 | 00146210-A | CATWALK WELDMENT, V-BOX, RH, FL PL, MS |
| | | 00146210-B | CATWALK WELDMENT, V-BOX, RH, FL PL, 304SST |
| | | 00146210-C | CATWALK WELDMENT, V-BOX, RH, FL PL, AUSST |
| 2 | 1 | 00146216-A | CATWALK WELDMENT, V-BOX, LH, FL PL, MS |
| | | 00146216-B | CATWALK WELDMENT, V-BOX, LH, FL PL, 304SST |
| | | 00146216-C | CATWALK WELDMENT, V-BOX, LH, FL PL, AUSST |
| 3 | 28 | 05010643 | BOLT, .375-16 X 1, G8, HHCS, ZINC |
| | | 05016034 | BOLT, .375-16 X 1, HHCS, SST |
| 4 | 28 | 05020898 | NUT, .375-16, GC, TOP LOCK, C&W |
| | | 05020891 | NUT, .375-16, NYLON LOCK, 316 SST |
| 5 | 56 | 05021307 | WASHER, .375, FLAT, ZINC |
| | | 05021390 | WASHER, .375, FLAT, SST |

00146218 CATWALK KIT, 18'-19', PAIR

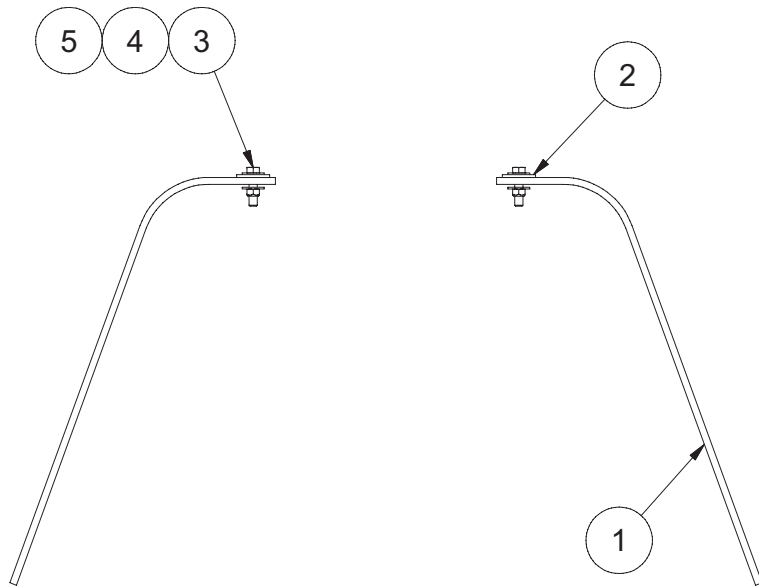
| Item | Qty | Part Number | Description |
|------|-----|-------------|--|
| 1 | 1 | 00146211-A | CATWALK WELDMENT, V-BOX, RH, FL PL, MS |
| | | 00146211-B | CATWALK WELDMENT, V-BOX, RH, FL PL, 304SST |
| | | 00146211-C | CATWALK WELDMENT, V-BOX, RH, FL PL, AUSST |
| 2 | 1 | 00146217-A | CATWALK WELDMENT, V-BOX, LH, FL PL, MS |
| | | 00146217-B | CATWALK WELDMENT, V-BOX, LH, FL PL, 304SST |
| | | 00146217-C | CATWALK WELDMENT, V-BOX, LH, FL PL, AUSST |
| 3 | 32 | 05010643 | BOLT, .375-16 X 1, G8, HHCS, ZINC |
| | | 05016034 | BOLT, .375-16 X 1, HHCS, SST |
| 4 | 32 | 05020898 | NUT, .375-16, GC, TOP LOCK, C&W |
| | | 05020891 | NUT, .375-16, NYLON LOCK, 316 SST |
| 5 | 64 | 05021307 | WASHER, .375, FLAT, ZINC |
| | | 05021390 | WASHER, .375, FLAT, SST |

00097183 SPILL SHIELD KIT, V-BOX, FR OR RR, 10GA

| Item | Qty. | Part Number | Description |
|------|------|--|---|
| 1 | 1 | 00014744-A 00014744-B 00014744-C | SPILL SHIELD WELDMENT, V-BOX FR RR, MS SPILL SHIELD WELDMENT, V-BOX FR RR, 304SST SPILL SHIELD WELDMENT, V-BOX FR RR, AUSST |
| 2 | 8 | 05010642 05016050 | BOLT, .375-16 X .875, G8, HHCS, ZINC BOLT, .375-16 X .875, HHCS, SST |
| 3 | 8 | 05020898 05020891 | NUT, .375-16, GC, TOP LOCK, C&W NUT, .375-16, NYLON LOCK, 316 SST |
| 4 | 16 | 05021307 05021390 | WASHER, .375, FLAT, ZINC WASHER, .375, FLAT, SST |

00145916 SPILL SHIELD KIT, V-BOX, FR OR RR W/ LIFT LOOP CUTOUTS

| Item | Qty. | Part Number | Description |
|------|------|--|---|
| 1 | 1 | 00108257-A 00108257-B 00108257-C | SPILL SHIELD WELDMENT, V-BOX FR RR, MS SPILL SHIELD WELDMENT, V-BOX FR RR, 304SST SPILL SHIELD WELDMENT, V-BOX FR RR, AUSST |
| 2 | 8 | 05010642 05016050 | BOLT, .375-16 X .875, G8, HHCS, ZINC BOLT, .375-16 X .875, HHCS, SST |
| 3 | 8 | 05020898 05020891 | NUT, .375-16, GC, TOP LOCK, C&W NUT, .375-16, NYLON LOCK, 316 SST |
| 4 | 16 | 05021307 05021390 | WASHER, .375, FLAT, ZINC WASHER, .375, FLAT, SST |



00142340 SPILL SHIELD KIT, MCV, SIDE, 8' X 24" RUBBER

| Item | Qty. | Part Number | Description |
|------|------|--------------------------|---|
| 1 | 2 | 00142323 | SPILL SHIELD, MCV, SIDE, 8' |
| 2 | 2 | 00142331-A 00142331-B | MOUNTING PLATE, SD SPILL SHIELD, MCV, MS MOUNTING PLATE, SD SPILL SHIELD, MCV, SST |
| 3 | 16 | 05010645 05016162 | BOLT, .375-16 X 1.50, G8, HHCS, ZINC BOLT, .375-16 X 1.50, HHCS, SST |
| 4 | 32 | 05021307 05021390 | WASHER, .375, FLAT, ZINC WASHER, .375, FLAT, SST |
| 5 | 16 | 05020898 05020891 | NUT, .375-16, GC, TOP LOCK, C&W NUT, .375-16, NYLON LOCK, 316 SST |

00142341 SPILL SHIELD KIT, MCV, SIDE, 9' X 24" RUBBER

| Item | Qty. | Part Number | Description |
|------|------|--------------------------|---|
| 1 | 2 | 00142324 | SPILL SHIELD, MCV, SIDE, 9' |
| 2 | 2 | 00142332-A 00142332-B | MOUNTING PLATE, SD SPILL SHIELD, MCV, MS MOUNTING PLATE, SD SPILL SHIELD, MCV, SST |
| 3 | 18 | 05010645 05016162 | BOLT, .375-16 X 1.50, G8, HHCS, ZINC BOLT, .375-16 X 1.50, HHCS, SST |
| 4 | 36 | 05021307 05021390 | WASHER, .375, FLAT, ZINC WASHER, .375, FLAT, SST |
| 5 | 18 | 05020898 05020891 | NUT, .375-16, GC, TOP LOCK, C&W NUT, .375-16, NYLON LOCK, 316 SST |

00132411 SPILL SHIELD KIT, MCV, SIDE, 10' X 24" RUBBER

| Item | Qty. | Part Number | Description |
|------|------|--------------------------|---|
| 1 | 2 | 00132410 | SPILL SHIELD, MCV, SIDE, 10' |
| 2 | 2 | 00132409-A 00132409-B | MOUNTING PLATE, SD SPILL SHIELD, MCV, MS MOUNTING PLATE, SD SPILL SHIELD, MCV, SST |
| 3 | 20 | 05010645 05016162 | BOLT, .375-16 X 1.50, G8, HHCS, ZINC BOLT, .375-16 X 1.50, HHCS, SST |
| 4 | 40 | 05021307 05021390 | WASHER, .375, FLAT, ZINC WASHER, .375, FLAT, SST |
| 5 | 20 | 05020898 05020891 | NUT, .375-16, GC, TOP LOCK, C&W NUT, .375-16, NYLON LOCK, 316 SST |

00142342 SPILL SHIELD KIT, MCV, SIDE, 11' X 24" RUBBER

| Item | Qty. | Part Number | Description |
|------|------|--------------------------|---|
| 1 | 2 | 00142325 | SPILL SHIELD, MCV, SIDE, 11' |
| 2 | 2 | 00142333-A 00142333-B | MOUNTING PLATE, SD SPILL SHIELD, MCV, MS MOUNTING PLATE, SD SPILL SHIELD, MCV, SST |
| 3 | 22 | 05010645 05016162 | BOLT, .375-16 X 1.50, G8, HHCS, ZINC BOLT, .375-16 X 1.50, HHCS, SST |
| 4 | 44 | 05021307 05021390 | WASHER, .375, FLAT, ZINC WASHER, .375, FLAT, SST |
| 5 | 22 | 05020898 05020891 | NUT, .375-16, GC, TOP LOCK, C&W NUT, .375-16, NYLON LOCK, 316 SST |

00142343 SPILL SHIELD KIT, MCV, SIDE, 12' X 24" RUBBER

| Item | Qty. | Part Number | Description |
|------|------|--------------------------|---|
| 1 | 2 | 00142326 | SPILL SHIELD, MCV, SIDE, 12' |
| 2 | 2 | 00143499-A 00143499-B | MOUNTING PLATE, SD SPILL SHIELD, MCV, MS MOUNTING PLATE, SD SPILL SHIELD, MCV, SST |
| 3 | 24 | 05010645 05016162 | BOLT, .375-16 X 1.50, G8, HHCS, ZINC BOLT, .375-16 X 1.50, HHCS, SST |
| 4 | 48 | 05021307 05021390 | WASHER, .375, FLAT, ZINC WASHER, .375, FLAT, SST |
| 5 | 24 | 05020898 05020891 | NUT, .375-16, GC, TOP LOCK, C&W NUT, .375-16, NYLON LOCK, 316 SST |

00142344 SPILL SHIELD KIT, MCV, SIDE, 13' X 24" RUBBER

| Item | Qty. | Part Number | Description |
|------|------|--------------------------|---|
| 1 | 2 | 00142327 | SPILL SHIELD, MCV, SIDE, 13' |
| 2 | 2 | 00142350-A 00142350-B | MOUNTING PLATE, SD SPILL SHIELD, MCV, MS MOUNTING PLATE, SD SPILL SHIELD, MCV, SST |
| 3 | 26 | 05010645 05016162 | BOLT, .375-16 X 1.50, G8, HHCS, ZINC BOLT, .375-16 X 1.50, HHCS, SST |
| 4 | 52 | 05021307 05021390 | WASHER, .375, FLAT, ZINC WASHER, .375, FLAT, SST |
| 5 | 26 | 05020898 05020891 | NUT, .375-16, GC, TOP LOCK, C&W NUT, .375-16, NYLON LOCK, 316 SST |

00142345 SPILL SHIELD KIT, MCV, SIDE, 14' X 24" RUBBER

| Item | Qty. | Part Number | Description |
|------|------|--------------------------|---|
| 1 | 2 | 00142328 | SPILL SHIELD, MCV, SIDE, 14' |
| 2 | 2 | 00142351-A 00142351-B | MOUNTING PLATE, SD SPILL SHIELD, MCV, MS MOUNTING PLATE, SD SPILL SHIELD, MCV, SST |
| 3 | 28 | 05010645 05016162 | BOLT, .375-16 X 1.50, G8, HHCS, ZINC BOLT, .375-16 X 1.50, HHCS, SST |
| 4 | 56 | 05021307 05021390 | WASHER, .375, FLAT, ZINC WASHER, .375, FLAT, SST |
| 5 | 28 | 05020898 05020891 | NUT, .375-16, GC, TOP LOCK, C&W NUT, .375-16, NYLON LOCK, 316 SST |

00142346 SPILL SHIELD KIT, MCV, SIDE, 15' X 24" RUBBER

| Item | Qty. | Part Number | Description |
|------|------|--------------------------|---|
| 1 | 2 | 00142329 | SPILL SHIELD, MCV, SIDE, 15' |
| 2 | 2 | 00142352-A 00142352-B | MOUNTING PLATE, SD SPILL SHIELD, MCV, MS MOUNTING PLATE, SD SPILL SHIELD, MCV, SST |
| 3 | 30 | 05010645 05016162 | BOLT, .375-16 X 1.50, G8, HHCS, ZINC BOLT, .375-16 X 1.50, HHCS, SST |
| 4 | 60 | 05021307 05021390 | WASHER, .375, FLAT, ZINC WASHER, .375, FLAT, SST |
| 5 | 30 | 05020898 05020891 | NUT, .375-16, GC, TOP LOCK, C&W NUT, .375-16, NYLON LOCK, 316 SST |

00142347 SPILL SHIELD KIT, MCV, SIDE, 16' X 24" RUBBER

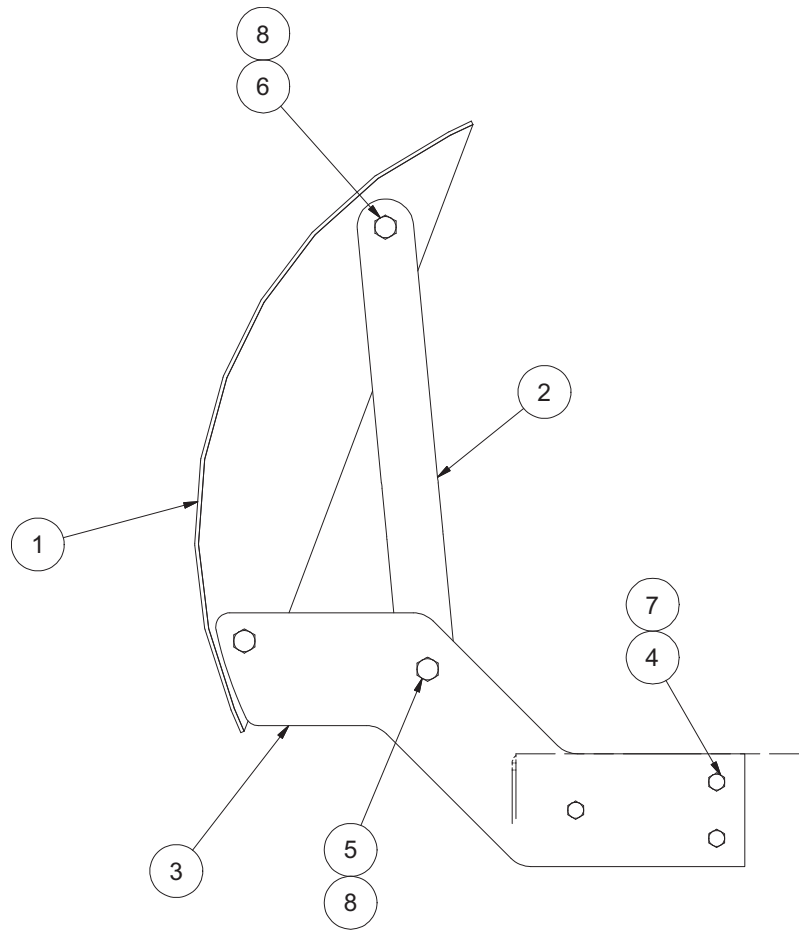
| Item | Qty. | Part Number | Description |
|------|------|--------------------------|---|
| 1 | 2 | 00142330 | SPILL SHIELD, MCV, SIDE, 16' |
| 2 | 2 | 00142353-A 00142353-B | MOUNTING PLATE, SD SPILL SHIELD, MCV, MS MOUNTING PLATE, SD SPILL SHIELD, MCV, SST |
| 3 | 32 | 05010645 05016162 | BOLT, .375-16 X 1.50, G8, HHCS, ZINC BOLT, .375-16 X 1.50, HHCS, SST |
| 4 | 64 | 05021307 05021390 | WASHER, .375, FLAT, ZINC WASHER, .375, FLAT, SST |
| 5 | 32 | 05020898 05020891 | NUT, .375-16, GC, TOP LOCK, C&W NUT, .375-16, NYLON LOCK, 316 SST |

00142348 SPILL SHIELD KIT, MCV, SIDE, 17' X 24" RUBBER

| Item | Qty. | Part Number | Description |
|------|------|--------------------------|---|
| 1 | 2 | 00142357 | SPILL SHIELD, MCV, SIDE, 17' |
| 2 | 2 | 00142354-A 00142354-B | MOUNTING PLATE, SD SPILL SHIELD, MCV, MS MOUNTING PLATE, SD SPILL SHIELD, MCV, SST |
| 3 | 34 | 05010645 05016162 | BOLT, .375-16 X 1.50, G8, HHCS, ZINC BOLT, .375-16 X 1.50, HHCS, SST |
| 4 | 68 | 05021307 05021390 | WASHER, .375, FLAT, ZINC WASHER, .375, FLAT, SST |
| 5 | 34 | 05020898 05020891 | NUT, .375-16, GC, TOP LOCK, C&W NUT, .375-16, NYLON LOCK, 316 SST |

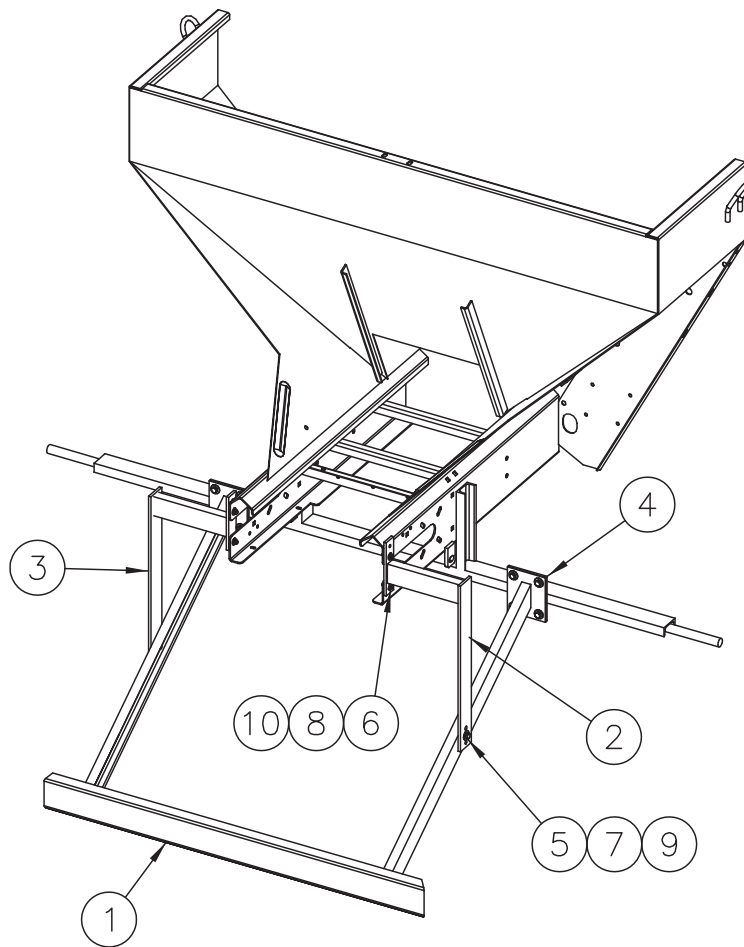
00142349 SPILL SHIELD KIT, MCV, SIDE, 18' X 24" RUBBER

| Item | Qty. | Part Number | Description |
|------|------|--------------------------|---|
| 1 | 2 | 00142358 | SPILL SHIELD, MCV, SIDE, 18' |
| 2 | 2 | 00142355-A 00142355-B | MOUNTING PLATE, SD SPILL SHIELD, MCV, MS MOUNTING PLATE, SD SPILL SHIELD, MCV, SST |
| 3 | 36 | 05010645 05016162 | BOLT, .375-16 X 1.50, G8, HHCS, ZINC BOLT, .375-16 X 1.50, HHCS, SST |
| 4 | 72 | 05021307 05021390 | WASHER, .375, FLAT, ZINC WASHER, .375, FLAT, SST |
| 5 | 36 | 05020898 05020891 | NUT, .375-16, GC, TOP LOCK, C&W NUT, .375-16, NYLON LOCK, 316 SST |



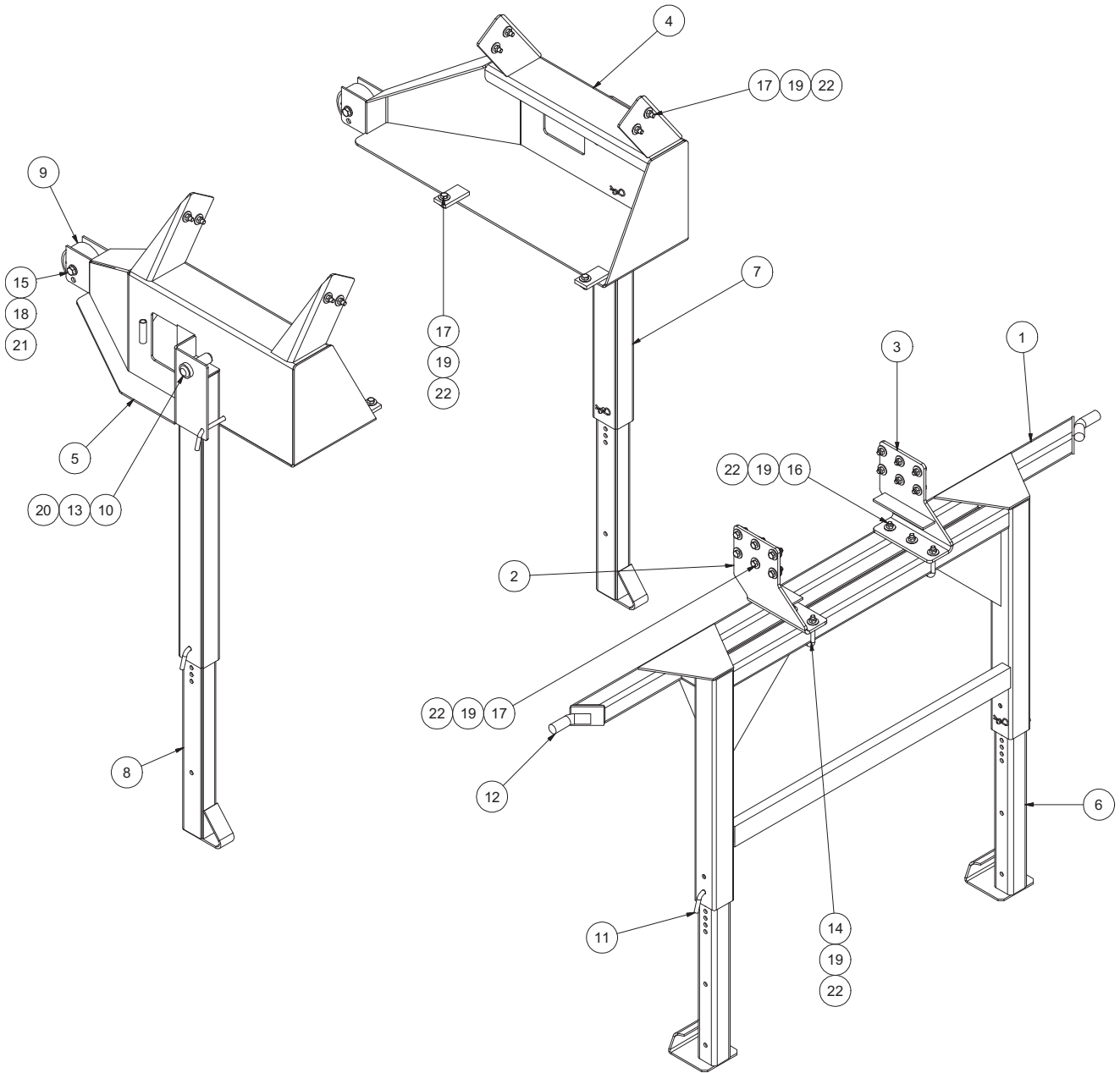
00017184 AIR FOIL KIT, 84 WIDE, 10GA, BOLT-ON

| Item | Qty. | Part Number | Description |
|------|------|--|---|
| 1 | 1 | 00034157-A 00034157-B 00034157-C | AIR FOIL WELDMENT, 84W, RR, MS AIR FOIL WELDMENT, 84W, RR, 304SST AIR FOIL WELDMENT, 84W, RR, AUSST |
| 2 | 2 | 00032766-A 00032766-B | SUPPORT AIR FOIL, MS SUPPORT AIR FOIL, SST |
| 3 | 2 | 00085167-A 00085167-B | RAIL, SIDE, AIR FOIL, MS RAIL, SIDE, AIR FOIL, SST |
| 4 | 6 | 05010643 05016034 | BOLT, .375-16 X 1, G8, HHCS, ZINC BOLT, .375-16 X 1, HHCS, SST |
| 5 | 2 | 05010691 05016096 | BOLT, .5-13 X 1.50, G8, HHCS, ZINC BOLT, .5-13 X 1.50, HHCS, SST |
| 6 | 4 | 05010690 05016045 | BOLT, .5-13 X 1.25, G8, HHCS, ZINC BOLT, .5-13 X 1.25, HHCS, SST |
| 7 | 6 | 05020898 05020891 | NUT, .375-16, GC, TOP LOCK, C&W NUT, .375-16, NYLON LOCK, 316 SST |
| 8 | 6 | 05020847 05020908 | NUT, .5-13, GC, TOP LOCK, C&W NUT, .5-13, NYLON LOCK, 316 SST |



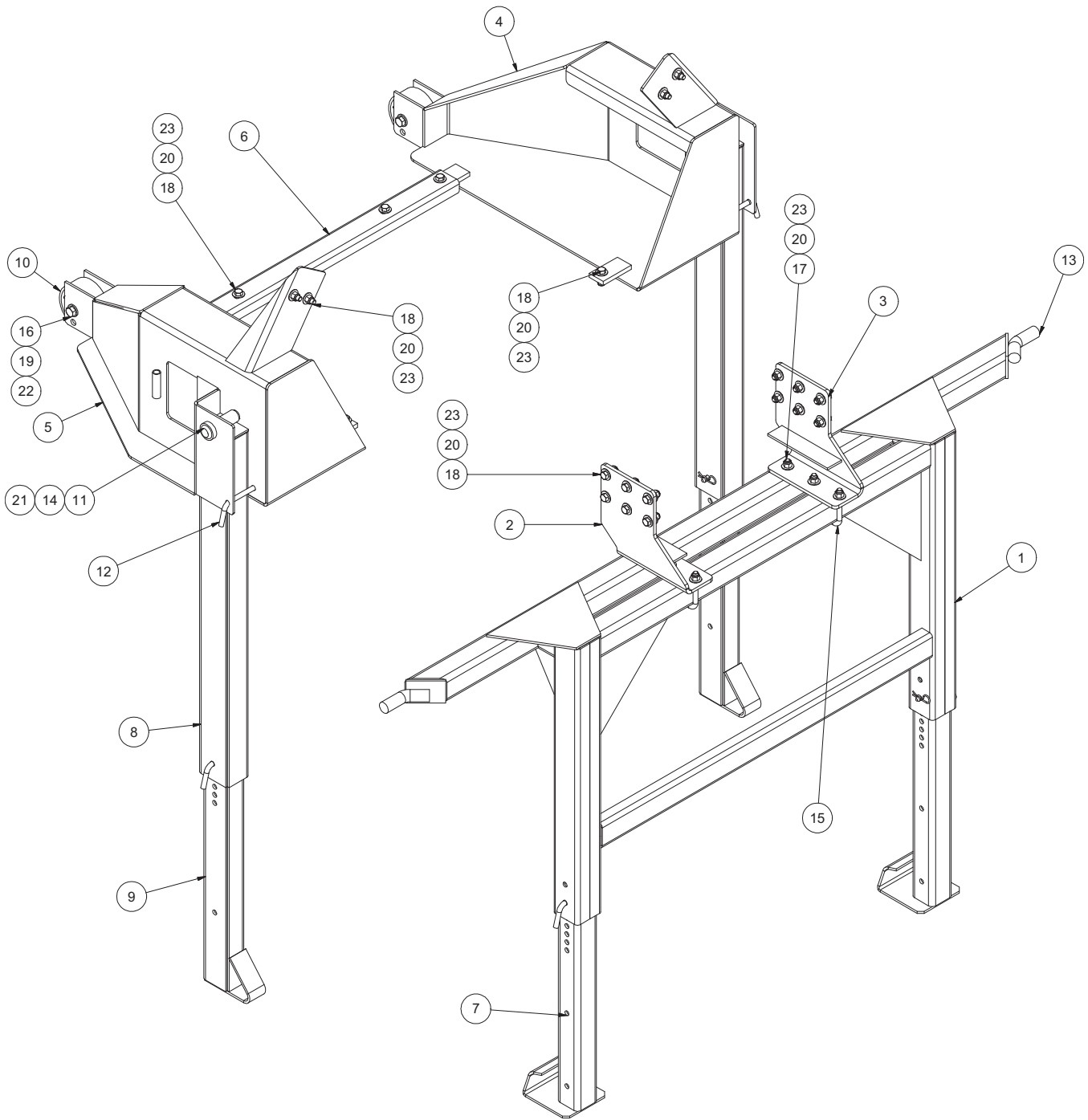
00050798 BUMPER KIT, SLIP-IN

| Item | Qty. | Part Number | Description |
|------|------|--------------------------|---|
| 1 | 1 | 00050795-A 00050795-B | BUMPER WELDMENT, REAR, MS BUMPER WELDMENT, REAR, SST |
| 2 | 1 | 00050796-A 00050796-B | HANGER WELDMENT, BUMPER, RH, MS HANGER WELDMENT, BUMPER, RH, SST |
| 3 | 1 | 00050797-A 00050797-B | HANGER WELDMENT, BUMMER, LH, MS HANGER WELDMENT, BUMMER, LH, SST |
| 4 | 2 | 00034183-A 00034183-B | MOUNTING PLATE, BUMPER, MS MOUNTING PLATE, BUMPER, SST |
| 5 | 10 | 05010691 05016096 | BOLT, .5-13 X 1.50, G8, HHCS, ZINC BOLT, .5-13 X 1.50, HHCS, SST |
| 6 | 4 | 05010644 05016079 | BOLT, .375-16 X 1.25, G8, HHCS, ZINC BOLT, .375-16 X 1.25, HHCS, SST |
| 7 | 10 | 05020847 05020908 | NUT, .5-13, GC, TOP LOCK, C&W NUT, .5-13, NYLON LOCK, 316 SST |
| 8 | 4 | 05020898 05020891 | NUT, .375-16, GC, TOP LOCK, C&W NUT, .375-16, NYLON LOCK, 316 SST |
| 9 | 20 | 05021309 05021391 | WASHER, .5, FLAT, ZINC WASHER, .5, FLAT, SS |
| 10 | 8 | 05021307 05021390 | WASHER, .375, FLAT, ZINC WASHER, .5, FLAT, SS |



00145943 LEG KIT, MCV, SELF LOADING, EVEN LENGTH BODY

| ITEM | QTY | PART NUMBER | DESCRIPTION |
|------|-----|-------------|--------------------------------|
| 1 | 1 | 00099489-A | LEG WLDMT,V-BOX,RR,UPR,SLFLDG |
| 1 | 1 | 00099489-B | LEG WLDMT,V-BOX,RR,UPR,SLFLDG |
| 1 | 1 | 00099489-C | LEG WLDMT,V-BOX,RR UPR,SLFLDG |
| 2 | 1 | 00137713-A | MTG PL WLDMT,RR LEG,MCV,SLFLDG |
| 2 | 1 | 00137713-B | MTG PL WLDMT,RR LEG,MCV,SLFLDG |
| 2 | 1 | 00137713-C | MTG PL WLDMT,RR LEG,MCV,SLFLDG |
| 3 | 1 | 00137714-A | MTG PL WLDMT,RR LEG,MCV,SLFLDG |
| 3 | 1 | 00137714-B | MTG PL WLDMT,RR LEG,MCV,SLFLDG |
| 3 | 1 | 00137714-C | MTG PL WLDMT,RR LEG,MCV,SLFLDG |
| 4 | 1 | 00145942-A | MOUNT WLDMT,LEG,MCV,SLF LDG |
| 4 | 1 | 00145942-B | MOUNT WLDMT,LEG,MCV,SLF LDG |
| 4 | 1 | 00145942-C | MOUNT WLDMT,LEG,MCV,SLF LDG |
| 5 | 1 | 00145941-A | MOUNT WLDMT,LEG,MCV,SLF LDG |
| 5 | 1 | 00145941-B | MOUNT WLDMT,LEG,MCV,SLF LDG |
| 5 | 1 | 00145941-C | MOUNT WLDMT,LEG,MCV,SLF LDG |
| 6 | 2 | 00085104-A | LEG WLDMT,ANTI-ICE/V-BOX,RR |
| 6 | 2 | 00085104-B | LEG WLDMT,ANTI-ICE/V-BOX,RR |
| 7 | 2 | 00085100-A | LEG WLDMT,V-BOX,FR UPR,SLFLDG |
| 7 | 2 | 00085100-B | LEG WLDMT,V-BOX,FR UPR,SLFLDG |
| 7 | 2 | 00085100-C | LEG WLDMT,V-BOX,FR UPR,SLFLDG |
| 8 | 2 | 00085102-A | LEG WLDMT,V-BOX,FR LWR,SLFLDG |
| 8 | 2 | 00085102-B | LEG WLDMT,V-BOX,FR LWR,SLFLDG |
| 8 | 2 | 00085102-C | LEG WLDMT,V-BOX,FR LWR,SLFLDG |
| 9 | 2 | 05050451 | WHEEL,.63BOREx1.88x5"D,CAST |
| 10 | 2 | 05022077 | PIN 1.00 x 4.50 ZC |
| 11 | 6 | 05022136 | PIN .50 x 4.5 4" GRIP BENT |
| 12 | 2 | 00028395-A | PIN,TAILGATE LATCH - HRR |
| 12 | 2 | 00028395-B | PIN,TAILGATE LATCH - SSR |
| 13 | 2 | 05022002 | PIN #8 HAIR ZC |
| 14 | 2 | 05017039 | U-BOLT,SQ,.500-13,3.063x4.750 |
| 15 | 2 | 05010747 | BOLT .625-11 x 4.00 G8 HHCS ZC |
| 16 | 2 | 05010702 | BOLT .500-13 x 4.50 G8 HHCS ZC |
| 17 | 24 | 05010691 | BOLT .500-13 x 1.50 G8 HHCS ZC |
| 17 | 24 | 05016096 | BOLT .500-13 x 1.50 HHCS SST |
| 18 | 2 | 05020837 | NUT .625-11 GC TOPLOCK C&W |
| 19 | 30 | 05020847 | NUT .500-13 GC TOPLOCK C&W |
| 19 | 30 | 05020908 | NUT .500-13 NYLON LOCK 316 SST |
| 20 | 2 | 05021314 | WASHER 1.00 FLAT ZC |
| 21 | 4 | 05021017 | WASHER .625 FLAT MIL-CARB SAE |
| 22 | 56 | 05021309 | WASHER .500 FLAT ZC |
| 22 | 56 | 05021391 | WASHER .500 FLAT SST |



00145932 LEG KIT, MCV, SELF LOADING, EVEN LENGTH BODY

| ITEM | QTY | PART NUMBER | DESCRIPTION |
|------|-----|-------------|--------------------------------|
| 1 | 1 | 00099489-A | LEG WLDMT,V-BOX,RR,UPR,SLFLDG |
| 1 | 1 | 00099489-B | LEG WLDMT,V-BOX,RR,UPR,SLFLDG |
| 1 | 1 | 00099489-C | LEG WLDMT,V-BOX,RR,UPR,SLFLDG |
| 2 | 1 | 00137713-A | MTG PL WLDMT,RR LEG,MCV,SLFLDG |
| 2 | 1 | 00137713-B | MTG PL WLDMT,RR LEG,MCV,SLFLDG |
| 2 | 1 | 00137713-C | MTG PL WLDMT,RR LEG,MCV,SLFLDG |
| 3 | 1 | 00137714-A | MTG PL WLDMT,RR LEG,MCV,SLFLDG |
| 3 | 1 | 00137714-B | MTG PL WLDMT,RR LEG,MCV,SLFLDG |
| 3 | 1 | 00137714-C | MTG PL WLDMT,RR LEG,MCV,SLFLDG |
| 4 | 1 | 00145913-A | MOUNT WLDMT,LEG,MCV,SELF LDG |
| 4 | 1 | 00145913-B | MOUNT WLDMT,LEG,MCV,SELF LDG |
| 4 | 1 | 00145913-C | MOUNT WLDMT,LEG,MCV,SELF LDG |
| 5 | 1 | 00145914-A | MOUNT WLDMT,LEG,MCV,SELF LDG |
| 5 | 1 | 00145914-B | MOUNT WLDMT,LEG,MCV,SELF LDG |
| 5 | 1 | 00145914-C | MOUNT WLDMT,LEG,MCV,SELF LDG |
| 6 | 1 | 00145933 | CROSS CHAN,FR LEG,MCV,SLFLDG |
| 6 | 1 | 00145936-A | CROSS CHAN,FR LEG,MCV,SLFLDG |
| 6 | 1 | 00145936-B | CROSS CHAN,FR LEG,MCV,SLFLDG |
| 7 | 2 | 00085104-A | LEG WLDMT,ANTI-ICE/V-BOX,RR |
| 7 | 2 | 00085104-B | LEG WLDMT,ANTI-ICE/V-BOX,RR |
| 8 | 2 | 00085100-A | LEG WLDMT,V-BOX,FR UPR,SLFLDG |
| 8 | 2 | 00085100-B | LEG WLDMT,V-BOX,FR UPR,SLFLDG |
| 8 | 2 | 00085100-C | LEG WLDMT,V-BOX,FR UPR,SLFLDG |
| 9 | 2 | 00085102-A | LEG WLDMT,V-BOX,FR LWR,SLFLDG |
| 9 | 2 | 00085102-B | LEG WLDMT,V-BOX,FR LWR,SLFLDG |
| 9 | 2 | 00085102-C | LEG WLDMT,V-BOX,FR LWR,SLFLDG |
| 10 | 2 | 05050451 | WHEEL,.63BOREx1.88x5"D,CAST |
| 11 | 2 | 05022077 | PIN 1.00 x 4.50 ZC |
| 12 | 6 | 05022136 | PIN .50 x 4.5 4" GRIP BENT |
| 12 | 6 | 05022136 | PIN .50 x 4.5 4" GRIP BENT |
| 13 | 2 | 00028395-A | PIN,TAILGATE LATCH - HRR |
| 13 | 2 | 00028395-B | PIN,TAILGATE LATCH - SSR |
| 14 | 2 | 05022002 | PIN #8 HAIR ZC |
| 15 | 2 | 05017039 | U-BOLT,SQ,.500-13,3.063x4.750 |
| 16 | 2 | 05010747 | BOLT .625-11 x 4.00 G8 HHCS ZC |
| 17 | 2 | 05010702 | BOLT .500-13 x 4.50 G8 HHCS ZC |
| 18 | 22 | 05010691 | BOLT .500-13 x 1.50 G8 HHCS ZC |
| 18 | 22 | 05016096 | BOLT .500-13 x 1.50 HHCS SST |
| 19 | 2 | 05020837 | NUT .625-11 GC TOPLOCK C&W |
| 20 | 28 | 05020847 | NUT .500-13 GC TOPLOCK C&W |
| 20 | 28 | 05020908 | NUT .500-13 NYLON LOCK 316 SST |
| 21 | 2 | 05021314 | WASHER 1.00 FLAT ZC |
| 22 | 4 | 05021017 | WASHER .625 FLAT MIL-CARB SAE |
| 23 | 52 | 05021309 | WASHER .500 FLAT ZC |
| 23 | 52 | 05021391 | WASHER .500 FLAT SST |

00012819 SLIP-IN MOUNTING KIT

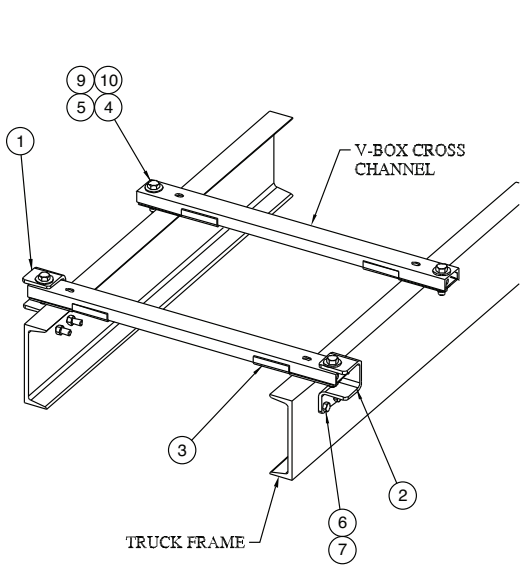
| Item | Qty. | Part Number | Description |
|-------------|-------------|--------------------|------------------------------------|
| 1 | 4 | 00021053 | TIE DOWN BRACKET, SLIP IN |
| 2 | 4 | 05016042 | BOLT, .625-11 X 24 L SHAPE, ZINC |
| 3 | 8 | 05010695 | BOLT, .5-13 X 2.50, G8, HHCS, ZINC |
| 4 | 8 | 05020847 | NUT, .5-13, TOP LOCK, C&W |
| 5 | 4 | 05022007 | PIN, .250 X 2.50, COTTER |
| 6 | 12 | 05021311 | WASHER, .625, FLAT, ZINC |
| 7 | 8 | 05020270 | NUT, .625-11, G8, HEX, ZINC |
| 8 | 1 | 05050775 | CARDBOARD BOX |

00037682 CHAIN BINDER KIT

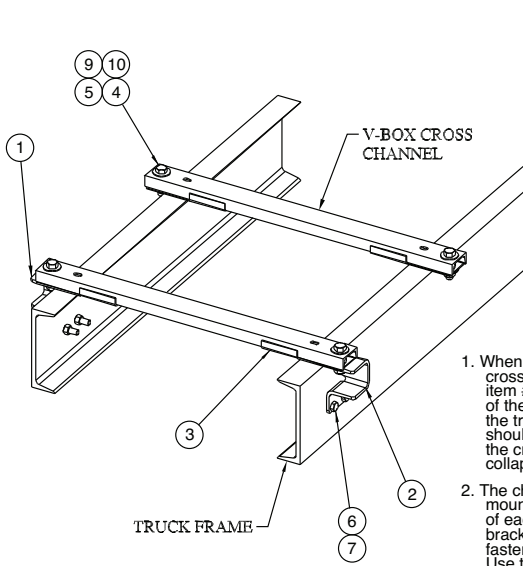
| Item | Qty. | Part Number | Description |
|-------------|-------------|--------------------|--------------------------|
| 1 | 2 | 00026166-A | LOOP LIFT, BENT, MS |
| 2 | 1 | 05050307 | CARDBOARD BOX |
| 3 | 2 | 05051377 | LOAD BINDER, .375 5400LB |
| 4 | 1 | 00037683 | CHAIN, .375 X 96 |

00063492 RATCHET STRAP, 3.0

| Item | Qty. | Part Number | Description |
|------|------|--------------------------|---|
| 1 | 4 | 00063499-A 00063499-B | MOUNTING PLATE WELDMENT, RATCHET STRAP, MS MOUNTING PLATE WELDMENT, RATCHET STRAP, SST |
| 2 | 4 | 00063498-D 00063498-E | MOUNTING PLATE, BRACKET, RATCHET STRAP, MS MOUNTING PLATE, BRACKET, RATCHET STRAP, SST |
| 3 | 4 | 05050218 | RATCHET ASSEMBLY FOR 3" STRAP |
| 4 | 4 | 05050293 | STRAP, 3" X 7' W/ FLAT HOOK |
| 5 | 16 | 05010690 05016045 | BOLT, .5-13 X 1.250, G8, HHCS, ZINC BOLT, .5-13 X 1.250 HHCS, SST |
| 6 | 12 | 05010643 05016034 | BOLT, .375-16 X 1, G8, HHCS, ZINC BOLT, .375-16 X 1, HHCS, SST |
| 7 | 16 | 05020847 05020908 | NUT, .5-13, TOP LOCK, C&W GR C NUT, .5-13, NYLON LOCK, SST |
| 8 | 12 | 05020898 05020891 | NUT, .375-16, TOP LOCK, C&W GR C NUT, .375-16, NYLON LOCK, SST |
| 9 | 32 | 05021309 05021396 | WASHER, .5, FLAT, ZINC WASHER, .5, FLAT, SST |
| 10 | 12 | 05021307 05021390 | WASHER, .375, FLAT, ZINC WASHER, .375, FLAT, SST |
| 11 | 4 | 00045283-A 00045283-B | BRACKET, TIE DOWN MO, MS BRACKET, TIE DOWN MO, SST |



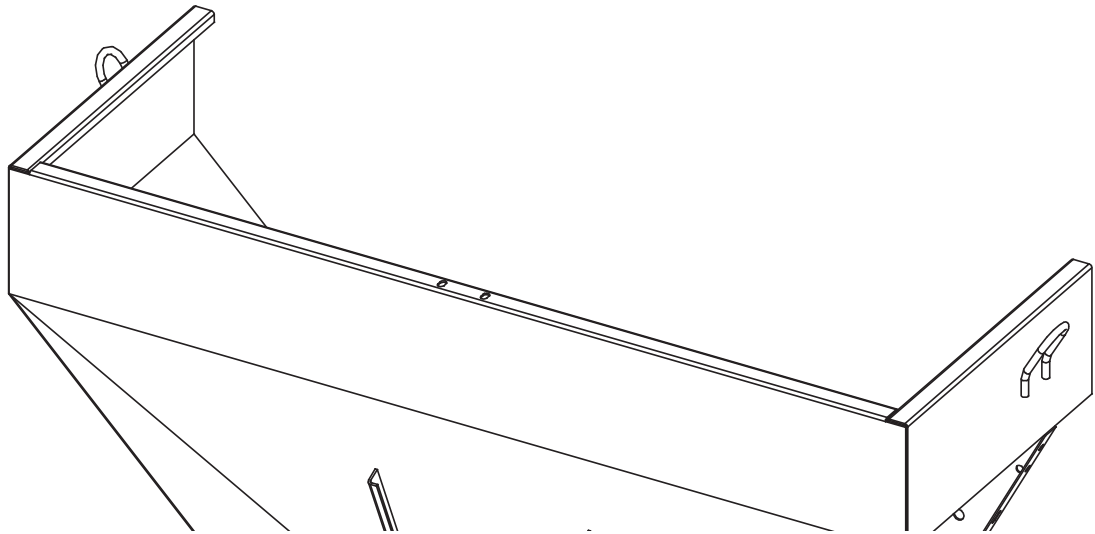
INSTALLATION OPTION - A



INSTALLATION OPTION - B

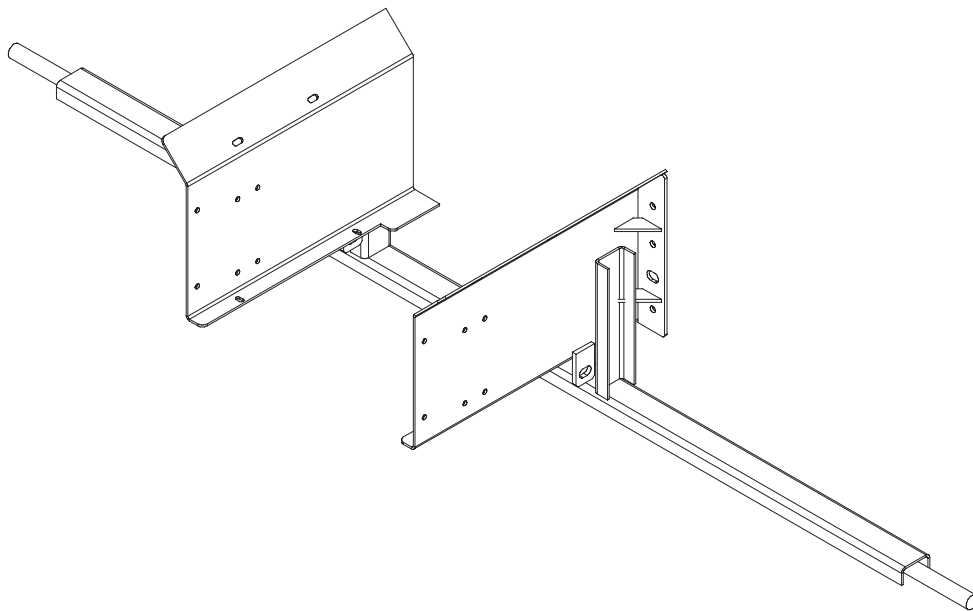
1. When installing a chassis mount V-Box all cross channels should be supported using item # 3. This will keep the sharp edges of the cross channels from wearing into the truck frame rails. All cross channels should also use item # 9. This will keep the cross or mounting channel from collapsing during assembly.
2. The chassis mounting kit includes one mounting channel (item # 3) for each end of each cross channel. Four mounting brackets (item #1 & #2) are included to fasten the V-Box to the truck frame rails. Use two mounting brackets in the front and two in the rear.
3. Use bolts to fasten all components together. Welding does not allow enough flex, this will result in stress cracking and failure of joined components.
4. Mounting kit may be installed with the mounting brackets on top of the v-box cross channels as shown in OPTION - A or under the cross channels as shown in OPTION -B, depending on the installation requirements.

| 00022402 CHASSIS MOUNTING KIT, 8' - 11' 00024600 CHASSIS MOUNTING KIT, 12'-14' 00105781 CHASSIS MOUNTING KIT, 15'-17' | | | | | |
|--|---------------|----------------|----------------|--------------------------|---|
| Item | Qty 8'-11' | Qty 12'-14' | Qty 15'-17' | Part Number | Description |
| 1 | 6 | 8 | 8 | 00105737-A 00105737-B | Bracket, Chassis Mount, RH, MS Bracket, Chassis Mount, RH, 304 SST |
| 2 | 10 | 12 | 16 | 00022401-A 00022401-B | Shim, Spacer 10.0, Chassis Mounting, MS Shim, Spacer 10.0, Chassis Mounting, 304 SST |
| 3 | 10 | 12 | 16 | 00072042-C 00072042-B | Pipe, 1.0 SCHED 40 x 1.250, MS Painted |
| 4 | 10 | 12 | 16 | 05010768 | Bolt, .750-10 x 3, G8, HHCS, Zinc |
| 5 | 12 | 12 | 16 | 05010741 | Bolt, .625-11 x 2.50, G8, HHCS, Zinc |
| 6 | 10 | 12 | 16 | 05020849 | Nut, .750-10, GC, Top Lock, C&W |
| 7 | 12 | 12 | 16 | 05020837 | Nut, .625-11, GC, Top Lock, C&W |
| 8 | 20 | 24 | 32 | 05021312 | Washer, .750, Flat, Zinc |
| 9 | 24 | 24 | 32 | 05021311 | Washer, .625, Flat, Zinc |



00012389 LATCH KIT, TGT, 1.25 DIA

| Item | Qty. | Part Number | Description |
|------|------|----------------------|--|
| 1 | 1 | 00027145 00015929 | CHAN, 3 X 4.1# X 90, MS CHAN, 3 X 4.75# X 90, 304 |
| 2 | 2 | 00010407 00015930 | CRR 1.250 X 12 SSR 1.25 X 12 |
| 3 | 2 | 00059844 00015928 | CHAN 3 X 4.1# X 12, MS CHAN 3 X 4.75# X 12, 304 |



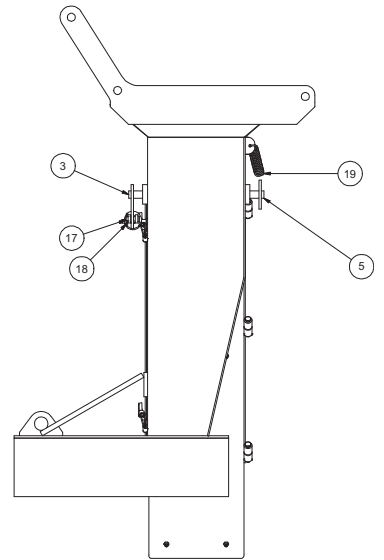
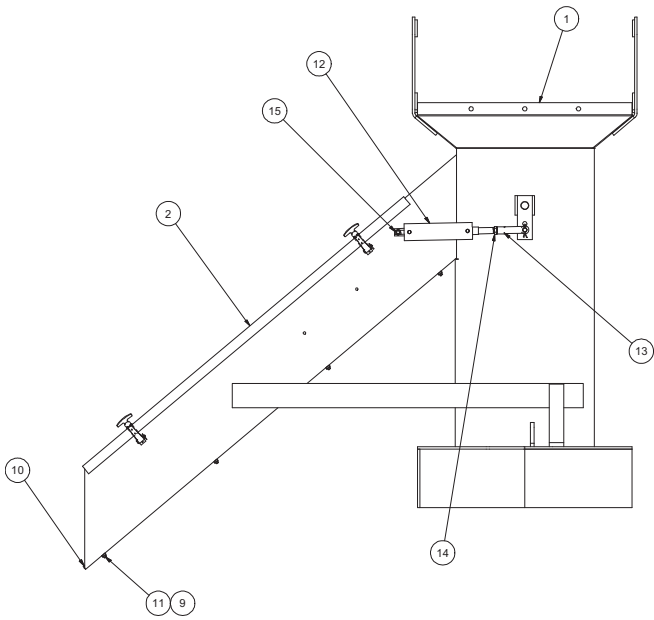
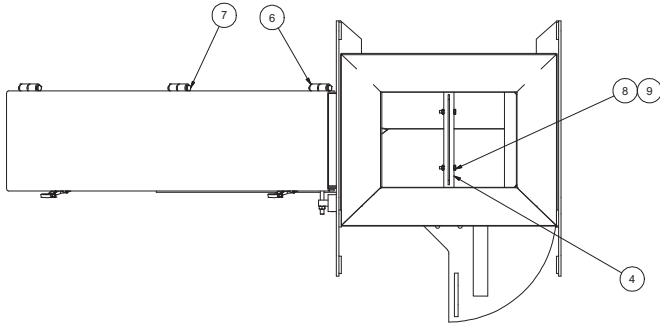
00132413 LATCH KIT, TGT, 1.25 DIA

| Item | Qty. | Part Number | Description |
|------|------|-------------|-----------------------------------|
| 1 | 1 | 00132412 | FORMED CHAN, .188 X 3.0 X 90, 304 |
| 2 | 2 | 00089649 | FORMED CHAN, .188 X 3.0 X 12, 304 |
| 3 | 2 | 00015930 | RND, SS, 1.250 DIA X 12 |

LEFT INTENTIONALLY BLANK

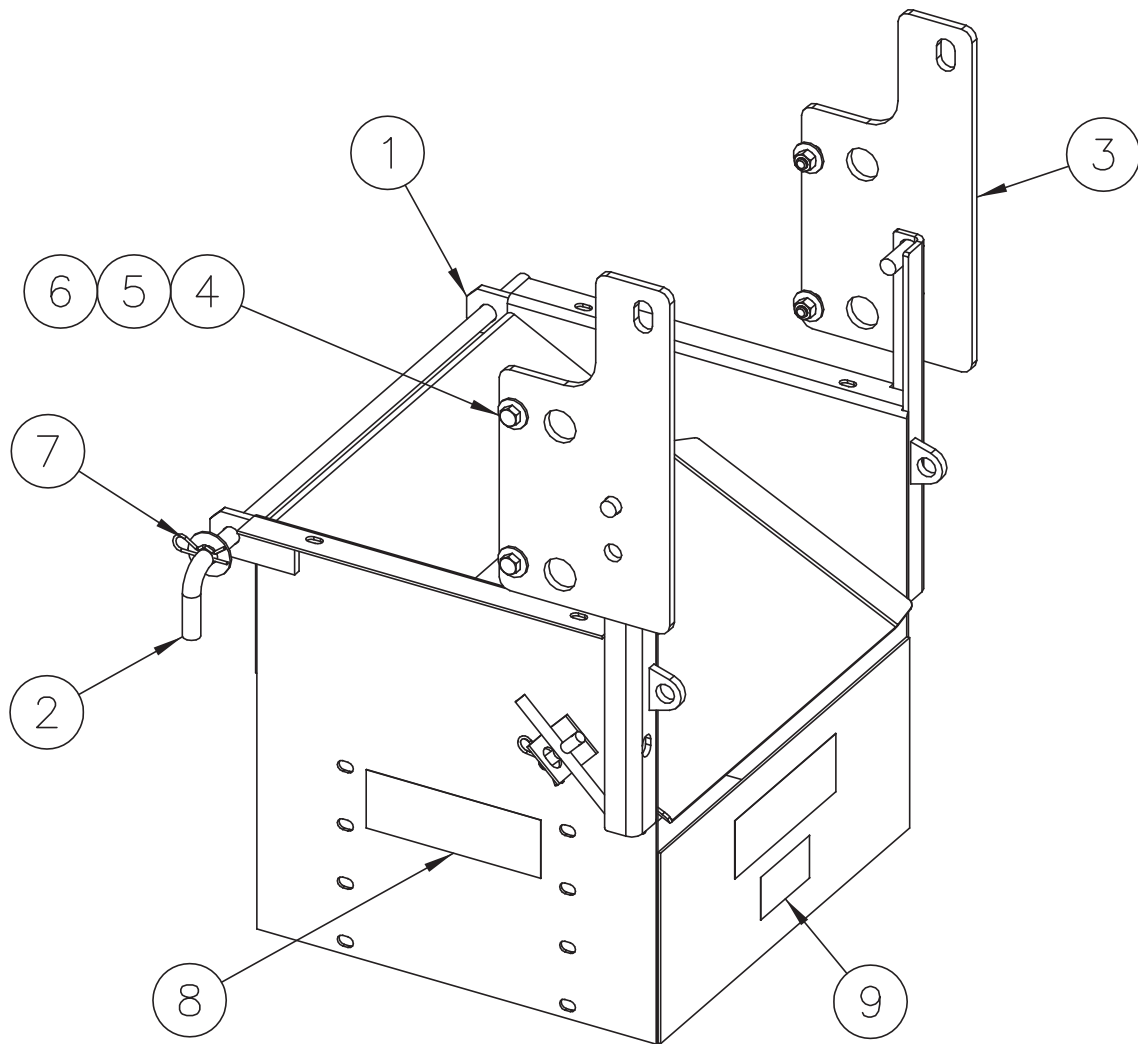
SPINNER ASSEMBLIES

| <i>Top Level #</i> | <i>Chute Assembly</i> | <i>Lower Spinner Assembly</i> |
|---|--|--|
| Spinners for Auger Bodies | | |
| 00133477-A\B\C\D\E\F <i>Spinner Assembly, Tip-Up for Top Mnt Mtr</i> | 00132421-A\B\C <i>See Page 90</i> | 00028000-A\B\C\F\J\R\S <i>See Page 91</i> |
| 00132422-A\B\C\D <i>Spinner Assembly, Tip-Up Bottom Mnt Mtr</i> | 00132421-A\B <i>See Page 90</i> | 00132430-A\B\C\D <i>See Page 93</i> |
| 00100998-A\B\C <i>Spinner Assembly, 1/2Y, Tip-Up P Lined w/cyl</i> | 00139325-A\B\C <i>See Page 88</i> | |
| 00012815-A/B/D/F/J/M/N <i>Spinner Assembly, STD, Bolt-On</i> | 00028044-A/B/D/F <i>See Page 97</i> | 00028000-A\B\C\F\J\R\S <i>See Page 91</i> |
| 00078898-A/B/D/C <i>Spinner Assembly, Bolt-On, Bottom Mnt Mtr</i> | 00028044-A/B <i>See Page 97</i> | 00071794-A/B/E/F <i>See Page 98</i> |
| 00100666-A/B/C/D/E/F <i>Spinner Assembly, Y-Chute, 2 Drops, w/Cyls</i> | | |
| 00097341-A/B/C/D <i>Spinner Assembly, Swn Style, Bolt-on</i> | 00028044-A/B <i>See Page 97</i> | 00097343-A/B/C/D <i>See Page 102</i> |
| Spinner Chute Enclosure | | |
| 00080876-A\B\C\D\E\F\G <i>Enclosure Kit, Spinner Chute, 10ga</i> | <i>See Page 169</i> | |
| Spinner Extension Kits | | |
| 00019330-A\B <i>Extension Kit, Spinner, 12", 10ga, TipUp</i> | <i>See Page 106</i> | |
| 00012876-A\B <i>Extension Kit, Spinner, 12" 10ga, Bolt-On</i> | <i>See Page 106</i> | |



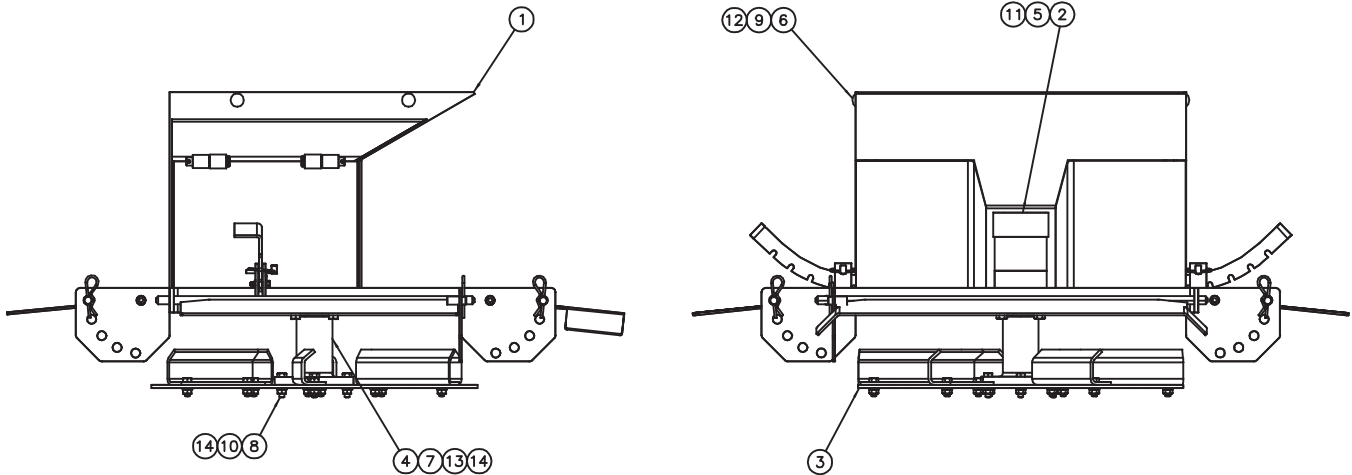
00139325 CHUTE ASSEMBLY, AUG, 1/2 Y TIP UP W/ CYL, POLY LINED

| ITEM | QTY | PART NUMBER | DESCRIPTION |
|------|-----|-------------|--------------------------------|
| 1 | 1 | 00139323-A | CHUTE WLDMT,SPNR,MCV AUG,1/2-Y |
| 1 | 1 | 00139323-B | CHUTE WLDMT,SPNR,MCV AUG,1/2-Y |
| 1 | 1 | 00139323-C | CHUTE WLDMT,SPNR,MCV AUG,1/2-Y |
| 2 | 1 | 00071204-A | LID WLDMT,SIDE CHUTE,1/2-Y,MS |
| 2 | 1 | 00071204-B | LID WLDMT,SIDE CHUTE,1/2-Y,304 |
| 2 | 1 | 00071204-C | LID WLDMT,SIDE CHUTE,1/2-Y,AUS |
| 3 | 1 | 00024166-A | SHAFT WLDMT,REAR,MV/MSV,DFTR |
| 3 | 1 | 00024166-B | SHAFT WLDMT,REAR,MV/MSV,DFTR |
| 4 | 1 | 00024161-A | SPINNER DEFLECTOR WELDMENT |
| 4 | 1 | 00024161-B | SPINNER DEFLECTOR WELDMENT |
| 4 | 1 | 00024161-C | SPINNER DEFLECTOR WELDMENT |
| 5 | 1 | 00024165-A | SHAFT WLDMT,FRONT,MV/MSV,DFTR |
| 5 | 1 | 00024165-B | SHAFT WLDMT,FRONT,MV/MSV,DFTR |
| 6 | 3 | 05022072 | PIN .156 x .875 ROLL ZC |
| 7 | 3 | 05022055 | PIN .500 x 2.500 CLEVIS ZC |
| 7 | 3 | 05022069 | PIN .500 x 2.500 CLEVIS,SS |
| 8 | 2 | 05010595 | BOLT .250-20 x 1.50 G8 HHCS ZC |
| 9 | 10 | 05020899 | NUT .250-20 GC TOPLOCK C&W |
| 10 | 1 | 00088858 | LINER,MV/MSV,SPINNER,1/2 |
| 11 | 8 | 05014657 | BOLT .250-20 x .750 FSHCS ZC |
| 12 | 1 | 05002500 | CYLINDER,1.5x4,DA,AIR,SS BODY& |
| 13 | 1 | 05050290 | CLEVIS,ADJ.YOKE END,.4375-20N |
| 14 | 1 | 05021075 | NUT .438-20 G8 HEX JAM ZC |
| 15 | 1 | 05020898 | NUT .375-16 GC TOPLOCK C&W |
| 15 | 1 | 05020891 | NUT .375-16 NYLON LOCK 316 SST |
| 16 | 1 | 00091758 | CANISTER KIT,MANUAL STORAGE |
| 17 | 1 | 05022197 | PIN .438 x 1.250 CLEVIS ZC |
| 18 | 1 | 05022021 | PIN .125 x 1.000 COTTER |
| 19 | 2 | 05035056 | SPRING,EXT,1"OD,6"OAL |



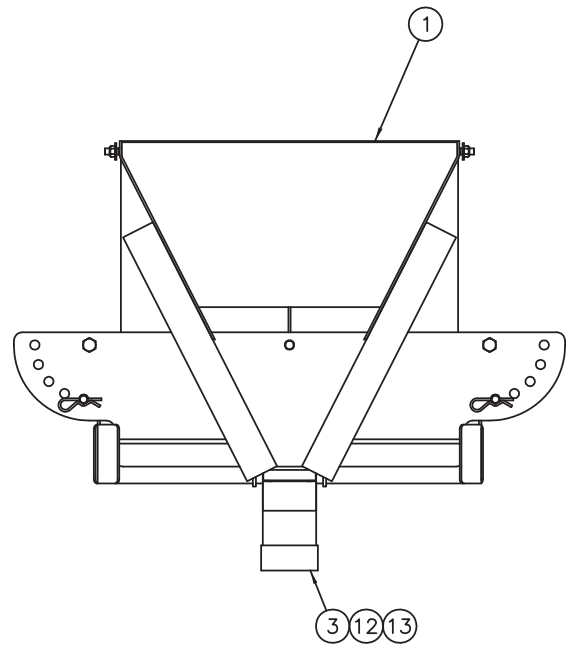
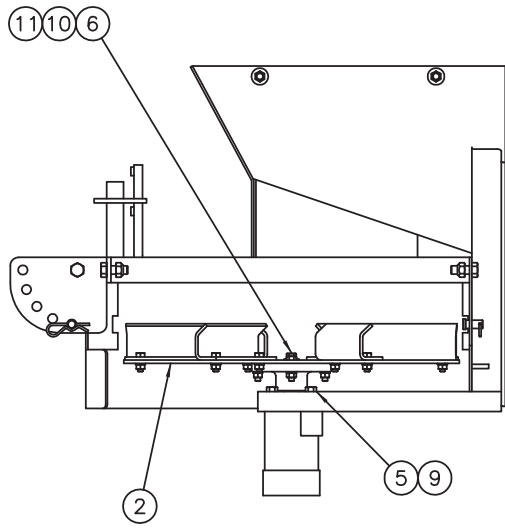
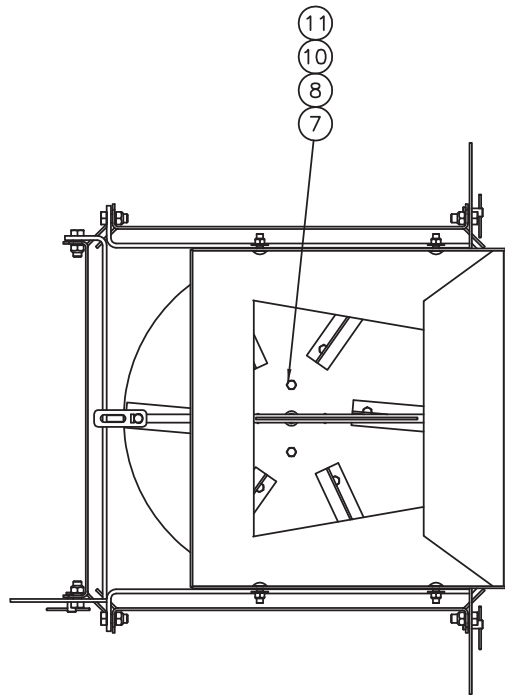
00132421 CHUTE ASSEMBLY, AUG MCV, TIP UP

| Item | Qty | Part Number | Description |
|------|-----|---|---|
| 1 | 1 | 00132420-A 00132420-B 000132420-C | CHUTE WELDMENT, AUG, MCV, TIP-UP, MS CHUTE WELDMENT, AUG, MCV, TIP-UP, 304SST CHUTE WELDMENT, AUG, MCV, TIP-UP, AUSST |
| 2 | 1 | 00022880 | LATCH ROD ASSEMBLY, MS, TIP-UP |
| 3 | 2 | 00135063-A 00135063-B | HINGE PLATE, SPINNER, AUG, TIP-UP, MS HINGE PLATE, SPINNER, AUG, TIP-UP, 304SST |
| 4 | 4 | 05010692 05016204 | BOLT, .5-13 X 1.75, G8, HHCS, ZINC BOLT, .5-13 X 1.75, HHCS, SST |
| 5 | 4 | 05020847 05020908 | NUT, .5-13, GC, TOP LOCK, C&W NUT, .5-13, NYLON LOCK, 316 SST |
| 6 | 8 | 05021309 05021391 | WASHER, .5, FLAT, ZINC WASHER, .5, FLAT, SST |
| 7 | 2 | 05022035 | PIN, HAIR #11, ZINC |
| 8 | 3 | 05051402 | DECAL, 8.25" X 2.75" WARNING |
| 9 | 1 | 05052310 | DECAL, 4 X 2", DANGER, KEEP GUARDS IN |



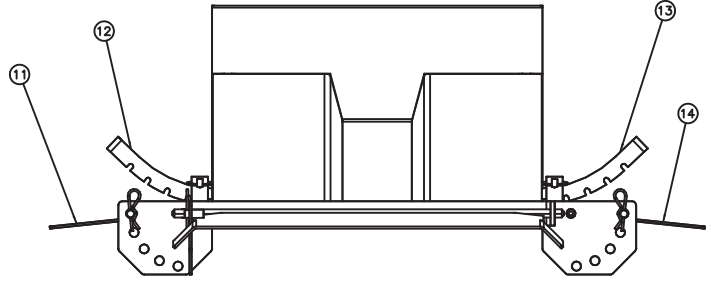
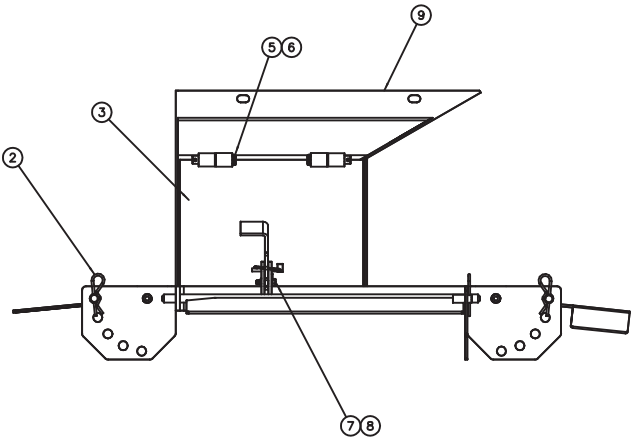
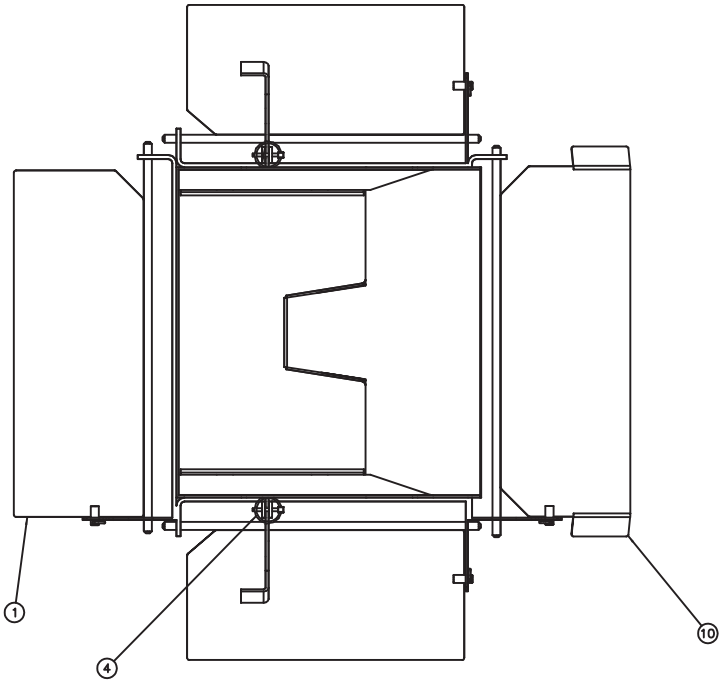
00028000 SPINNER ASSEMBLY, LOWER

| Item | Qty. | Part Number | Description |
|------|------|-------------|---|
| 1 | 1 | 00028001-A | CHUTE ASSY,SPNR,MV/MSV,LWR,MS,10GA <i>See Page 95</i> |
| 1 | 1 | 00028001-B | CHUTE ASSY,SPNR,MV/MSV,LWR,304,10GA |
| 1 | 1 | 00028001-F | CHUTE ASSY,SPNR,MV/MSV,LWR,AUSST,10GA |
| 2 | 1 | 05006673 | MOTOR,HYD,WHITE 3.2CID,4 BLT,1" SHAFT <i>See Page 110</i> |
| 3 | 1 | 00099404-A | SPINNER DISC ASSY,20.0,CCW,MS <i>See Page 107</i> |
| 3 | 1 | 00099404-B | SPINNER DISC ASSY,20.0,CCW,304 |
| 3 | 1 | 00099404-E | SPINNER DISC ASSY,20.0,CCW,AUSST |
| 3 | 1 | 05050794 | DISC,SPINNER,20"CCW,RED,POLY <i>See Page 108</i> |
| 4 | 1 | 05050054 | HUB,SPINNER ASSY,EXT SFT,W/SET SCREWS |
| 5 | 4 | 05010642 | BOLT .375-16x.875 G8 HHCS ZC |
| 5 | 4 | 05016050 | BOLT .375-16x.875 HHCS SST |
| 6 | 4 | 05013986 | BOLT .375-16x1.00 G5 CRG ZC |
| 6 | 4 | 05016003 | BOLT .375-16x1.00 CRG SST |
| 7 | 1 | 05010630 | BOLT .313-18x4.00 G8 HHCS ZC |
| 7 | 1 | 05016150 | BOLT .313-18x4.00 HHCS SST |
| 8 | 4 | 05010619 | BOLT .313-18x1.25 G8 HHCS ZC |
| 8 | 4 | 05010620 | BOLT .313-18x1.50 G8 HHCS ZC |
| 8 | 4 | 05016139 | BOLT .313-18x1.25 HHCS SST |
| 8 | 4 | 05016140 | BOLT .313-18x1.50 HHCS SST |
| 9 | 4 | 05020891 | NUT .375-16 NYLON LOCK 316 SST |
| 9 | 4 | 05020898 | NUT .375-16 GC TOPLOCK C&W |
| 10 | 4 | 05020265 | NUT .313-18 G8 HEX ZC |
| 10 | 4 | 05020855 | NUT .313-18 HEX SST |
| 11 | 4 | 05021365 | WASHER .375 LOCK ZC |
| 11 | 4 | 05021392 | WASHER .375 LOCK SST |
| 12 | 4 | 05021307 | WASHER .375 FLAT ZC |
| 12 | 4 | 05021390 | WASHER .375 FLAT SST |
| 13 | 5 | 05021306 | WASHER .313 FLAT ZC |
| 13 | 5 | 05021404 | WASHER .313 FLAT SST |
| 14 | 5 | 05021364 | WASHER .313 LOCK ZC |
| 14 | 5 | 05021407 | WASHER .313 LOCK SST |



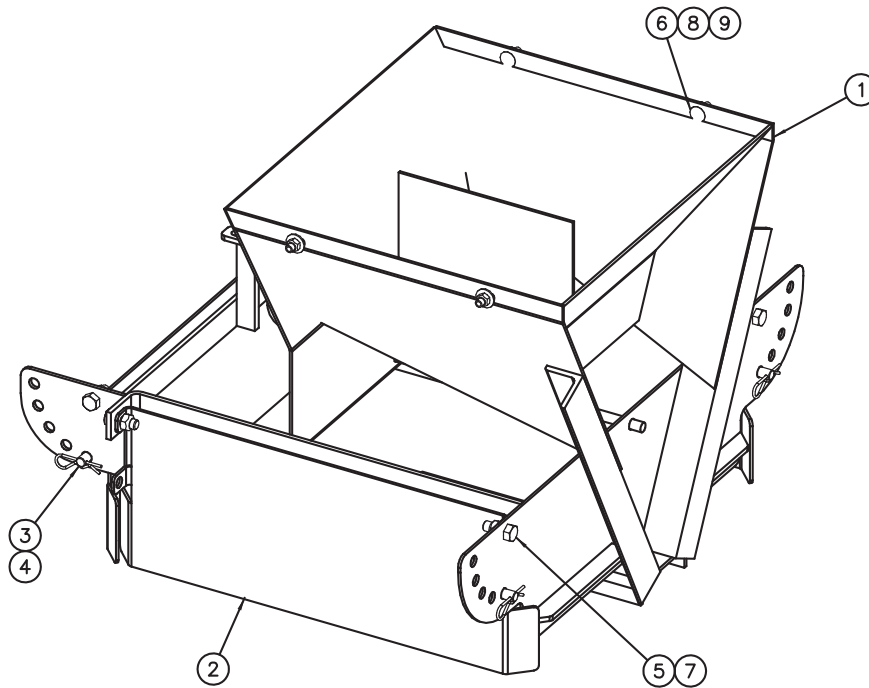
00132430 SPINNER ASSEMBLY, LOWER

| Item | Qty | Part Number | Description |
|-------------|------------|--------------------------------------|---|
| 1 | 1 | 00132429-A 00132429-B | CHUTE ASSEMBLY, LOWER, MCV, SWN, MS CHUTE ASSEMBLY, LOWER, MCV, SWN, SST <i>See Page 96</i> |
| 2 | 1 | 00099404-A 00099404-B 05050794 | DISC ASSEMBLY, SPINNER, 20, CCW, .188, MS <i>See Page 107</i> DISC ASSEMBLY, SPINNER, 20, CCW, .188, SST <i>See Page 108</i> DISC, SPINNER, 20 CCW, POLY, RED |
| 3 | 1 | 05006673 | MOTOR, HYD, WHITE, 3.2CI, 4B, 1" EXT <i>See Page 110</i> |
| 4 | 1 | 05051380 | HUB, SPINNER ASSEMBLY, STD, SHORT |
| 5 | 4 | 05010645 05016162 | BOLT, .375-16 X 1.50, G8, HHCS, ZINC BOLT, .375-16 X 1.50, G8, HHCS, SST |
| 6 | 1 | 05010618 | BOLT, .313-18 X 1, G8, HHCS, ZINC |
| 7 | 4 | 05010619 05010620 05016139 | BOLT, .313-18 X 1.25, G8, HHCS, ZINC BOLT, .313-18 X 1.50, G8, HHCS, ZINC BOLT, .313-18 X 1.25, HHCS, SST |
| 8 | 4 | 05020265 05020855 | NUT, .313-18, G8, HEX, ZINC NUT, .313-18, HEX, SST |
| 9 | 4 | 05021365 05021392 | WASHER, .375, LOCK, ZINC WASHER, .375, LOCK, SST |
| 10 | 5 | 05021306 | WASHER, .313, FLAT, ZINC |
| 11 | 5 | 05021364 | WASHER, .313, LOCK, ZINC |
| 12 | 1 | 00122073 | SEAL SAVER, MOTOR, SPINNER |
| 13 | 1 | 05050288 | GREASE ZERK, .250-28 STRAIGHT |



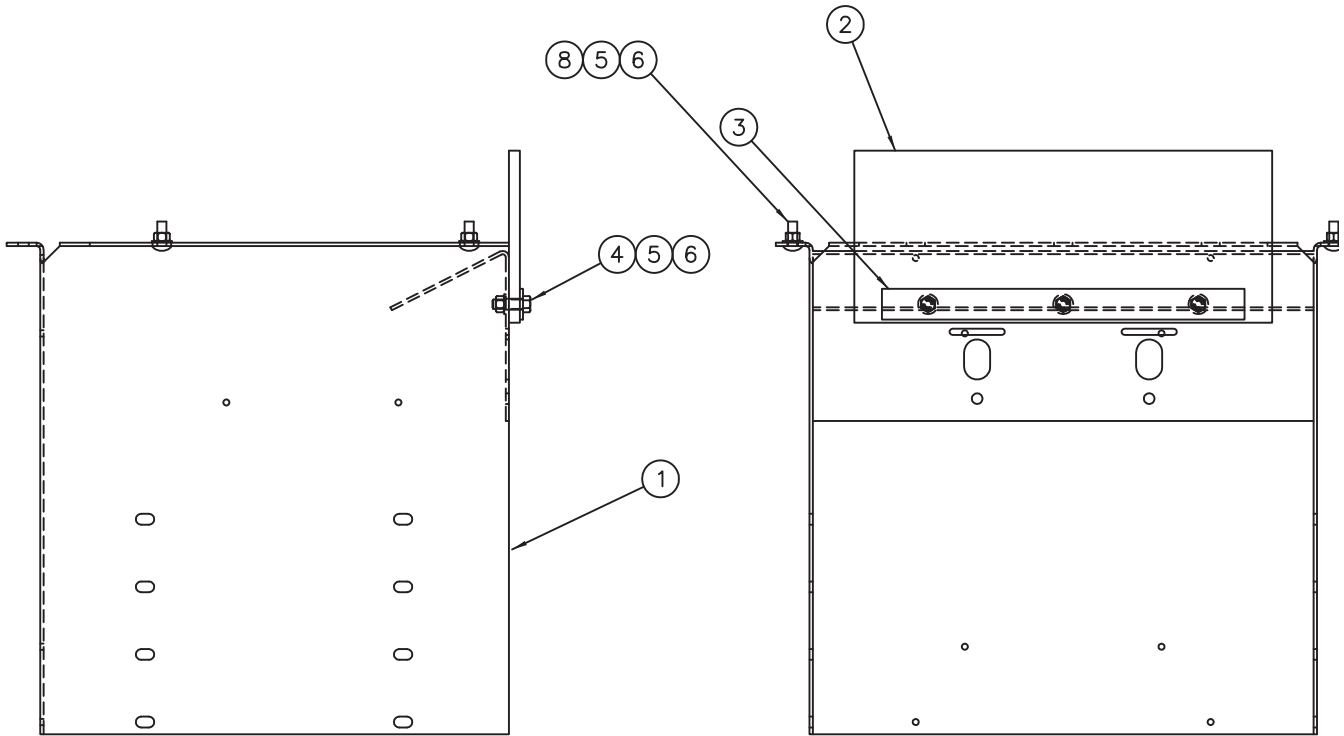
00028001 CHUTE ASSEMBLY, SPINNER, LOWER, 20.0L X 20W

| Item | Qty. | Part Number | Description |
|------|------|--|--|
| 1 | 1 | 00062116-A 00062116-B 00062116-G | DEFLECTOR WELDMENT, SPINNER, RR, MS DEFLECTOR WELDMENT, SPINNER, RR, 304SST DEFLECTOR WELDMENT, SPINNER, RR, AUSST |
| 2 | 4 | 05022035 | PIN, #11, HAIR, ZINC |
| 3 | 2 | 00028003-A 00028003-B 00028003-G | RESTRICTOR GATE WELDMENT, MS RESTRICTOR GATE WELDMENT, 304SST RESTRICTOR GATE WELDMENT, AUSST |
| 4 | 2 | 05022106 | PIN, .188 LYNCH |
| 5 | 4 | 05022055 05022069 | PIN, .5 X 2.50 CLEVIS, ZINC PIN, .5 X 2.50, CLEVIS, SS |
| 6 | 4 | 05022072 | PIN, .156 X .875, ROLL, ZINC |
| 7 | 2 | 05010593 05016040 | BOLT, .250-20 X 1, G8, HHCS, ZINC BOLT, .250-20 NYLON LOCK, 316 SST |
| 8 | 2 | 05020899 05020906 | NUT, .250-20, GC, TOPLOCK, C&W NUT, .250-20, NYLON 316 SST |
| 9 | 1 | 00028002-A 00028002-B 00028002-F | SPINNER WELDMENT, LWR, 4BLT.MS SPINNER WELDMENT, LWR, 4BLT, 304SST SPINNER WELDMENT, LWR, 4BLT, AUSST |
| 10 | 1 | 00062127-A 00062127-B 00062127-G | DEFLECTOR WELDMENT, FR, MS DEFLECTOR WELDMENT, FR, 304SST DEFLECTOR WELDMENT, FR, AUSST |
| 11 | 1 | 00062104-A 00062104-B 00062104-H | DEFLECTOR WELDMENT, SIDE, RH, MS DEFLECTOR WELDMENT, SIDE, RH, 304SST DEFLECTOR WELDMENT, SIDE, RH, AUSST |
| 12 | 1 | 00028011-A 00028011-B 00028011-D | GATE ADJ BAR, RH, .188, MS GATE ADJ BAR, RH, .188, 304SST GATE ADJ BAR, RH, .188, AUSST |
| 13 | 1 | 00028012-A 00028012-B 00028012-D | GATE ADJ BAR, LH, .188, MS GATE ADJ BAR, LH, .188, 304SST GATE ADJ BAR, LH, .188, AUSST |
| 14 | 1 | 00062101-A 00062101-B 00062101-H | DEFLECTOR WELDMENT, SIDE, LH, MS DEFLECTOR WELDMENT, SIDE, LH, 304SST DEFLECTOR WELDMENT, SIDE, LH, AUSST |



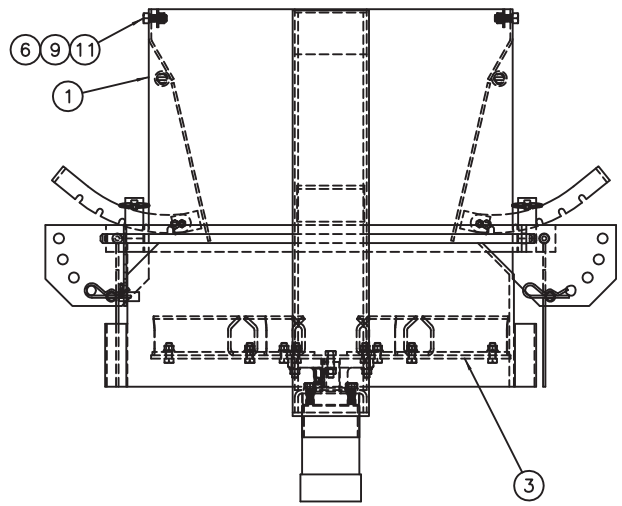
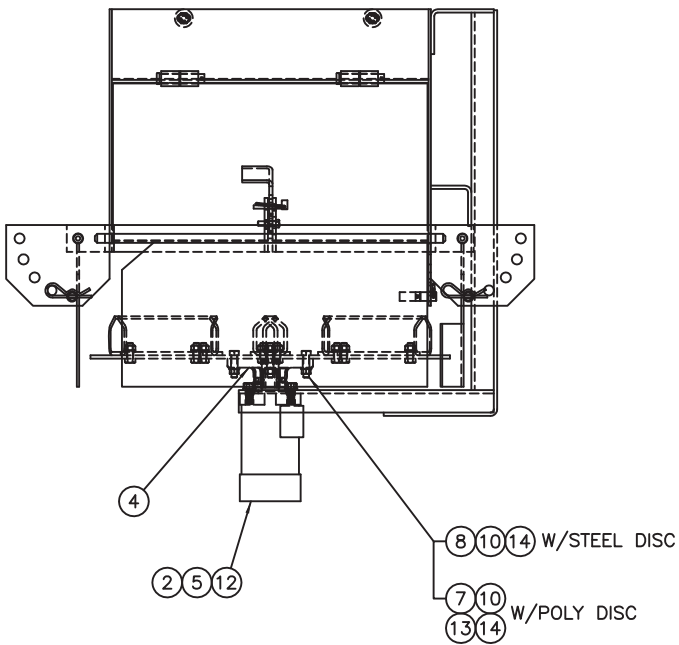
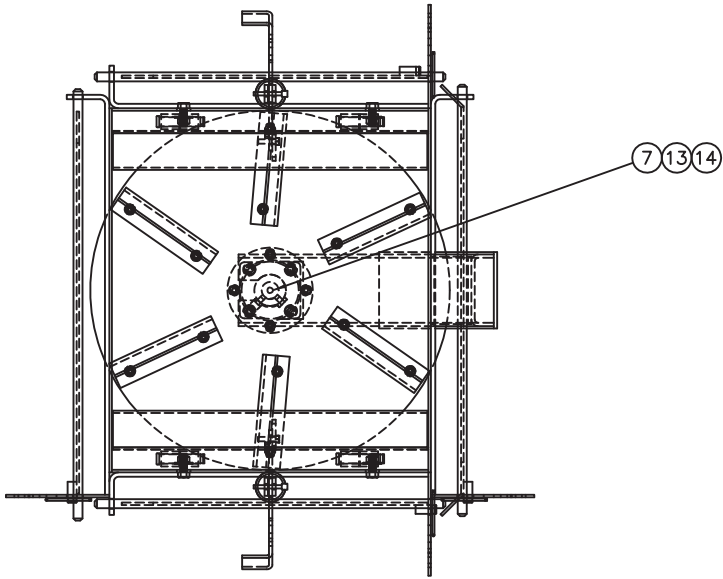
00132429 CHUTE ASSEMBLY, LOWER, SWN

| Item | Qty. | Part Number | Description |
|------|------|--------------------------|--|
| 1 | 1 | 00132426-A 00132426-B | CHUTE WELDMNT, LOWER, SPNR, MS CHUTE WELDMNT, LOWER, SPNR, SST |
| 2 | 3 | 00132428-A 00132428-B | DEFLECTOR, SPINNER, SWN, MS DEFLECTOR, SPINNER, SWN, SST |
| 3 | 3 | 05022096 05022157 | PIN, .5 X 1, CLEVIS, ZINC PIN, .5 X 1, CLEVIS, SST |
| 4 | 3 | 05022035 | PIN, #11 HAIR ZINC |
| 5 | 6 | 05010690 05016045 | BOLT, .5-13 X 1.25, G8, HHCS, ZINC BOLT, .5-13 X 1.25, HHCS, SST |
| 6 | 4 | 05013987 05016003 | BOLT, .375-16 X 1.25, G5, CARRIAGE, ZINC BOLT, .375-16 X 1, CARRIAGE, SST |
| 7 | 6 | 05020847 05020908 | NUT, .5-13, GC, TOP LOCK, C&W NUT, .5-13, NYLON LOCK, 316 SST |
| 8 | 4 | 05020898 05020891 | NUT, .375-16, GC, TOP LOCK, C&W NUT, .375-16, GC TOP LOCK, C&W |
| 9 | 4 | 05021307 05021390 | WASHER, .375, FLAT, ZINC WASHER, .375, FLAT, SST |



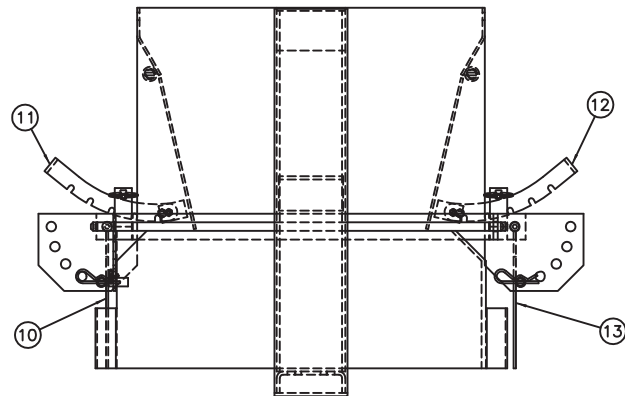
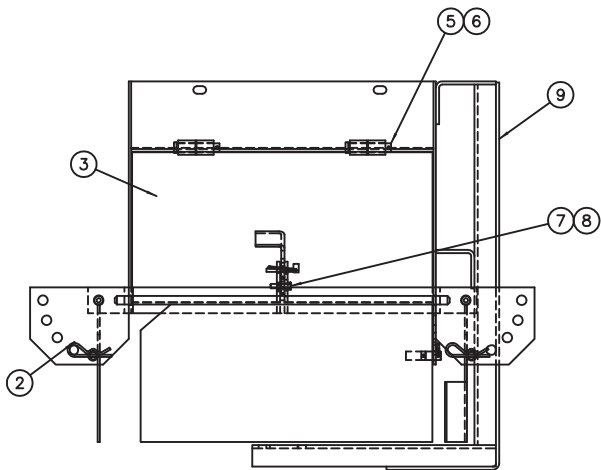
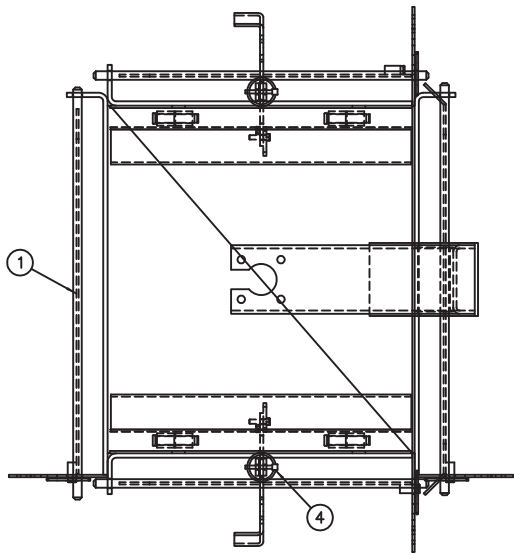
00028044 CHUTE ASSEMBLY, BOLT-ON, V-BOX

| Item | Qty. | Part Number | Description |
|------|------|-------------|--|
| 1 | 1 | 00028043-A | CHUTE WLDMT,BOLT ON MV/MSV 10GA MS |
| 1 | 1 | 00028043-B | CHUTE WLDMT,BOLT ON MV/MSV 10GA 304 |
| 1 | 1 | 00028043-C | CHUTE WLDMT,BOLT ON MV/MSV,10GA,CORTEN |
| 1 | 1 | 00028043-D | CHUTE WLDMT,BOLT ON MV/MSV 12GA MS |
| 1 | 1 | 00028043-E | CHUTE WLDMT,BOLT ON MV/MSV 12GA 304 |
| 1 | 1 | 00028043-F | CHUTE WLDMT,BOLT ON MV/MSV 10GA,AUSST |
| 1 | 1 | 00028043-G | CHUTE WLDMT,BOLT ON MV/MSV,12GA,AUSST |
| 2 | 1 | 05050055 | WIPER, REAR |
| 3 | 1 | 00053253-A | WIPER BRACKET MS |
| 3 | 1 | 00053253-B | WIPER BRACKET 304SST |
| 3 | 1 | 00053253-D | WIPER BRACKET CORTEN |
| 3 | 1 | 00053253-F | WIPER BRACKET AUSST |
| 4 | 3 | 05010644 | BOLT .375-16 x 1.25 G8 HHCS ZC |
| 4 | 3 | 05016049 | BOLT .375-16 x 1.25 HHCS SST |
| 5 | 7 | 05020891 | NUT .375-16 NYLON LOCK 316 SST |
| 5 | 7 | 05020898 | NUT .375-16 TOPLOCK C&W,GRC |
| 6 | 7 | 05021307 | WASHER .375 FLAT ZC |
| 6 | 7 | 05021390 | WASHER .375 FLAT SST |
| 7 | 3 | 05051402 | DECAL-DANGER:TURNING SPINNERS. *NS* |
| 8 | 4 | 05013986 | BOLT .375-16 x 1.00 G5 CRG ZC |
| 8 | 4 | 05016003 | BOLT .375-16 x 1.00 CRG SST |
| 9 | 1 | 00091758 | CANISTER KIT,MANUAL STORAGE |



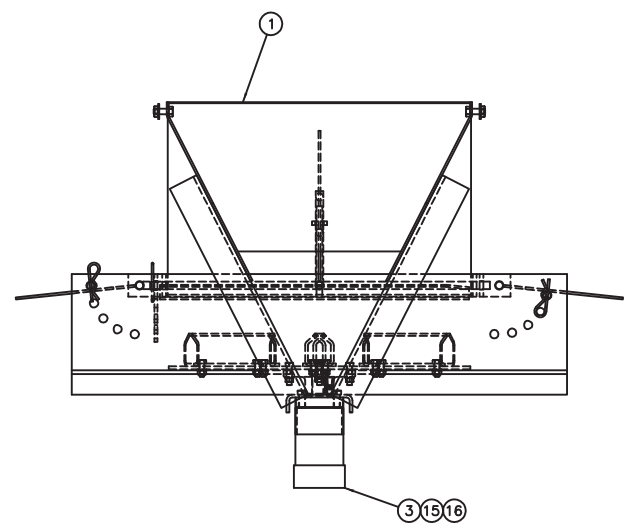
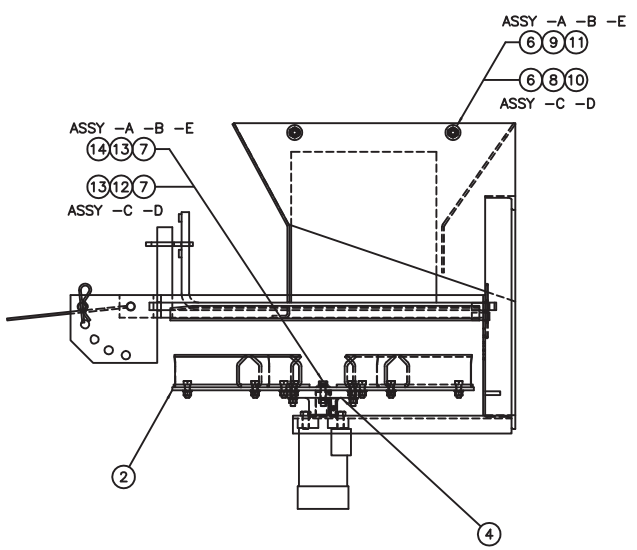
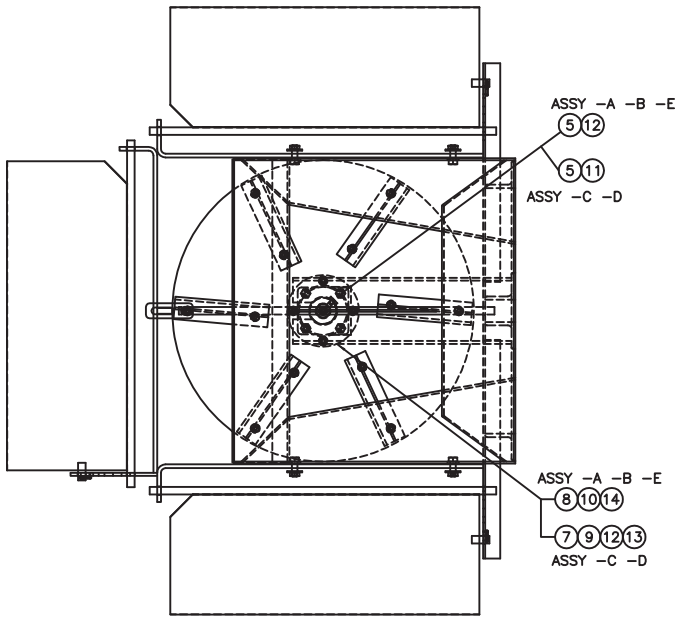
00071794 SPINNER ASSEMBLY, LOWER, BOT MOUNT MOTOR

| Item | Qty. | Part Number | Description |
|-------------|-------------|--------------------|--|
| 1 | 1 | 00044293-A | CHUTE ASSY,LOWER,BOT MT MOTOR,MS <i>See Page 101</i> |
| 1 | 1 | 00044293-B | CHUTE ASSY,LOWER,BOT MT MOTOR,304 |
| 2 | 1 | 05006673 | MOTOR,HYD,WHITE,3.2CI,4B,1"EXT <i>See Page 110</i> |
| 3 | 1 | 00099401-A | SPINNER DISC ASSY,18,CCW,MS |
| 3 | 1 | 00099401-B | SPINNER DISC ASSY,18,CCW,304 |
| 3 | 1 | 00099404-A | SPINNER DISC ASSY,18,CCW,MS <i>See Page 107</i> |
| 3 | 1 | 00099404-B | SPINNER DISC ASSY,20.0,CCW,304 |
| 3 | 1 | 05050794 | DISC,SPINNER,20"CCW,RED,POLY <i>See Page 108</i> |
| 4 | 1 | 05051380 | HUB,SPINNER ASSY,STD, SHORT |
| 5 | 4 | 05010645 | BOLT .375-16 x 1.50 G8 HHCS ZC |
| 5 | 4 | 05016162 | BOLT .375-16 x 1.50 HHCS SS |
| 6 | 4 | 05013986 | BOLT .375-16 x 1.00 G5 CRG ZC |
| 6 | 4 | 05016003 | BOLT .375-16 x 1.00 CRG SS |
| 7 | 1 | 05010618 | BOLT .313-18 x 1.00 G8 HHCS ZC |
| 7 | 5 | 05010640 | BOLT .313-18 x 1.50 HHCS SS |
| 8 | 4 | 05010619 | BOLT .313-18 x 1.25 G8 HHCS ZC |
| 8 | 4 | 05016139 | BOLT .313-18 x 1.25 HHCS SS |
| 9 | 4 | 05020891 | NUT .375-16 NYLON LOCK 316 SS |
| 9 | 4 | 05020898 | NUT .375-16 GC TOPLOCK C&W |
| 10 | 4 | 05020265 | NUT .313-18 G8 HEX ZC |
| 10 | 4 | 05020855 | NUT .313-18 HEX SS |
| 11 | 4 | 05021307 | WASHER .375 FLAT ZC |
| 11 | 4 | 05021390 | WASHER .375 FLAT,SAE SS |
| 12 | 4 | 05021365 | WASHER .375 LOCK ZC |
| 12 | 4 | 05021392 | WASHER .375 LOCK SS |
| 13 | 1 | 05021306 | WASHER .313 FLAT ZC |
| 14 | 5 | 05021364 | WASHER .313 LOCK ZC |
| 15 | 1 | 00122073 | SEAL SAVER,MOTOR,SPINNER |
| 16 | 1 | 05050288 | GREASE ZERK,.250-28 STRAIGHT |



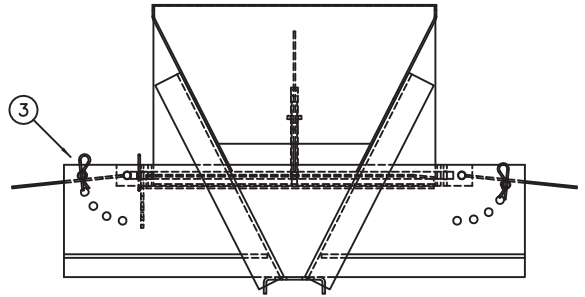
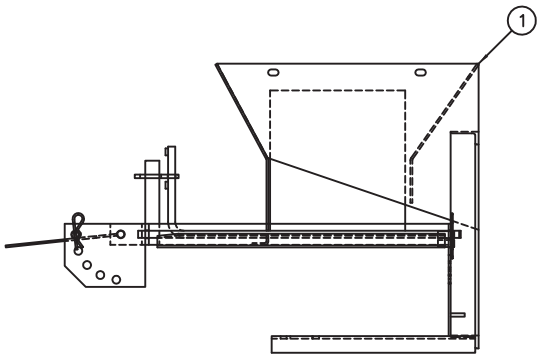
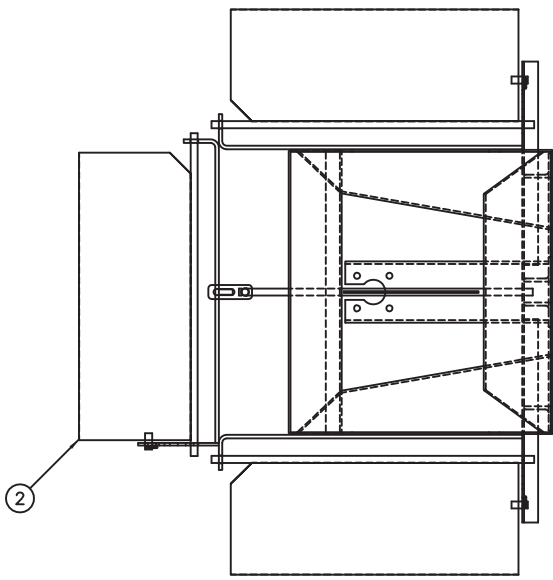
00044293 CHUTE ASSEMBLY, LOWER, BOT MT MOTOR

| Item | Qty. | Part Number | Description |
|-------------|-------------|--------------------|---------------------------------------|
| 1 | 1 | 00062116-A | DEFLECTOR WLDMT,SPNR,MV/MSV,RR,MS |
| 1 | 1 | 00062116-B | DEFLECTOR WLDMT,SPNR,MV/MSV,RR,304 |
| 2 | 4 | 05022035 | PIN #11 HAIR ZC |
| 3 | 2 | 00078894-A | RESTRICTOR GATE WLDMT,MV/MSV,MS |
| 3 | 2 | 00078894-B | RESTRICTOR GATE WLDMT,MV/MSV,304 |
| 4 | 2 | 05022106 | PIN .188 LYNCH |
| 5 | 4 | 05022055 | PIN .50 x 2.500 CLEVIS ZC |
| 5 | 4 | 05022069 | PIN, .5 C 2.5 CLEVIS, SS |
| 6 | 4 | 05022072 | PIN .156 x .875 ROLL ZC |
| 7 | 2 | 05010593 | BOLT .250-20 x 1.00 G8 HHCS ZC |
| 8 | 2 | 05020899 | NUT .250-20 TOP LOCK ZC |
| 9 | 1 | 00044292-A | SPINNER WLDMT,MV/MSV,MS |
| 9 | 1 | 00044292-B | SPINNER WLDMT,MV/MSV,304 |
| 10 | 1 | 00062104-A | DEFLECTOR WLDMT,SPNR,MV/MSV,RH,MS |
| 10 | 1 | 00062104-B | DEFLECTOR WLDMT,SPNR,MV/MSV,RH,304 |
| 11 | 1 | 00028011-A | GATE ADJUSTING BAR,SPNR,MV/MSV,RH,MS |
| 11 | 1 | 00028011-B | GATE ADJUSTING BAR,SPNR,MV/MSV,RH,304 |
| 12 | 1 | 00028012-A | GATE ADJUSTING BAR,SPNR,MV/MSV,LH,MS |
| 12 | 1 | 00028012-B | GATE ADJUSTING BAR,SPNR,MV/MSV,LH,304 |
| 13 | 1 | 00062101-A | DEFLECTOR WLDMT,SPNR,MV/MSV,LH,MS |
| 13 | 1 | 00062101-B | DEFLECTOR WLDMT,SPNR,MV/MSV,LH,304 |



00097343 SPINNER ASSEMBLY, LOWER, SWN

| Item | Qty. | Part Number | Description |
|-------------|-------------|--------------------|--|
| 1 | 1 | 00097357-A | CHUTE ASSY,LOWER,BOT MT MTR,MV/MSV <i>See Page 104</i> |
| 1 | 1 | 00097357-B | CHUTE ASSY,LOWER,BOT MT MTR,MV/MSV |
| 1 | 1 | 00097357-C | CHUTE ASSY,LOWER,BOT MT MTR,MV/MSV |
| 1 | 1 | 00097357-D | CHUTE ASSY,LOWER,BOT MT MTR,MV/MSV |
| 2 | 1 | 00099404-A | DISC ASSY,SPINNER,20,CCW,MS <i>See Page 107</i> |
| 2 | 1 | 00099404-B | DISC ASSY,SPINNER,20,CCW,304 |
| 2 | 1 | 00099404-E | DISC ASSY,SPINNER,20,CCW,AUSST |
| 2 | 1 | 05050794 | DISC ASSY,SPINNER,20,CCW,MS <i>See Page 108</i> |
| 3 | 1 | 05006673 | MOTOR,HYD,WHITE,3.2CI,4B,1"EXT <i>See Page 110</i> |
| 4 | 1 | 05051380 | HUB,SPNR ASSY,STD,SHORT W/SET SCREW |
| 5 | 4 | 05010645 | BOLT .375-16x1.50 G8 HHCS ZC |
| 5 | 4 | 05016162 | BOLT .375-16x1.50 HHCS SST |
| 6 | 4 | 05013986 | BOLT .375-16x1.00 G5 CRG ZC |
| 6 | 4 | 05016003 | BOLT .375-16x1.00 CRG SST |
| 7 | 1 | 05010618 | BOLT .313-18x1.00 HHCS SST |
| 7 | 1 | 05016138 | BOLT .313-18x1.00 HHCS SST |
| 7 | 5 | 05010620 | BOLT .313-18x1.50 G8 HHCS ZC |
| 7 | 5 | 05016140 | BOLT .313-18x1.50 HHCS SST |
| 8 | 4 | 05010619 | BOLT .313-18x1.25 G8 HHCS ZC |
| 8 | 4 | 05016139 | BOLT .313-18x1.25 HHCS SST |
| 9 | 4 | 05020891 | NUT .375-16 NYLON LOCK 316 SST |
| 9 | 4 | 05020898 | NUT .375-16 GC TOPLOCK C&W |
| 10 | 4 | 05020265 | NUT .313-18 G8 HEX ZC |
| 10 | 4 | 05020855 | NUT .313-18 HEX SST |
| 11 | 4 | 05021307 | WASHER .375 FLAT ZC |
| 11 | 4 | 05021390 | WASHER .375 FLAT SST |
| 12 | 4 | 05021365 | WASHER .375 LOCK ZC |
| 12 | 4 | 05021392 | WASHER .375 LOCK SST |
| 13 | 5 | 05021306 | WASHER .313 FLAT ZC |
| 14 | 5 | 05021364 | WASHER .313 LOCK ZC |
| 15 | 1 | 00122073 | SEAL SAVER,MOTOR,SPINNER |
| 16 | 1 | 05050288 | GREASE ZERK,.250-28 STRAIGHT |



00097357 CHUTE ASSEMBLY, LOWER, BOT MT MOTOR, SWN

| Item | Qty. | Part Number | Description |
|-------------|-------------|--------------------|------------------------------------|
| 1 | 1 | 00097345-A | CHUTE WLDMT,LOWER,MV/MSV,SWN,MS |
| 1 | 1 | 00097345-B | CHUTE WLDMT,LOWER,MV/MSV,SWN,304 |
| 1 | 1 | 00097345-C | CHUTE WLDMT,LOWER,MV/MSV,SWN,304L |
| 1 | 1 | 00097345-D | CHUTE WLDMT,LOWER,MV/MSV,SWN,AUSST |
| 2 | 3 | 00048696-A | DEFLECTOR WLDMT,SPINNER,MS |
| 2 | 3 | 00048696-B | DEFLECTOR WLDMT,SPINNER,304 |
| 2 | 3 | 00048696-C | DEFLECTOR WLDMT,SPINNER,304L,12GA |
| 2 | 3 | 00048696-D | DEFLECTOR WLDMT,SPINNER,AUSST,12GA |
| 3 | 3 | 05022035 | PIN #11 HAIR ZC |

00080876 ENCLOSURE KIT, SPINNER, CHUTE

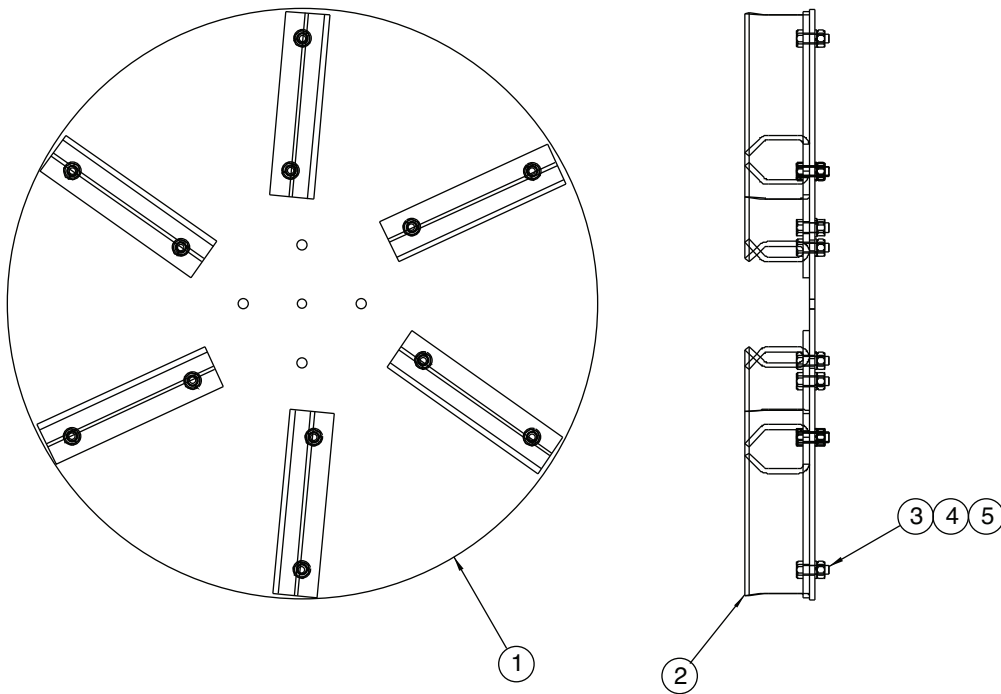
| Item | Qty. | Part Number | Description |
|------|------|--|---|
| 1 | 1 | 00059837-A 00059837-B 00059837-C 00059837-D 00059837-E 00059837-F 00059837-G | ENCLOSURE, 10GA, MS ENCLOSURE, 10GA, 304 ENCLOSURE, 12GA, MS ENCLOSURE, 12GA, 304 ENCLOSURE, 10GA, CORTEN ENCLOSURE, 10GA, AUSST ENCLOSURE, 12GA, AUSST |
| 2 | 4 | 05013986 05016003 | BOLT, .375-16 X 1, G5, CARRIAGE, ZINC BOLT, .375-16 X 1, CARRIAGE, SST |
| 3 | 4 | 05020898 05020891 | NUT, .375-16, GC, TOP LOCK, C&W NUT, .375-16, NYLON LOCK, 316 SST |
| 4 | 4 | 05021307 05021390 | WASHER, .375, FLAT, ZINC WASHER, .375, FLAT, SST |

00019330 EXT KIT, SPINNER, TIP UP

| Item | Qty. | Part Number | Description |
|------|------|--------------------------|---|
| 1 | 1 | 00065912-A 00065912-B | EXTENSION WELDMENT, CHUTE, TIP-UP, , 10GA, MS EXTENSION WELDMENT, CHUTE, TIP-UP, , 10GA, SST |
| 2 | 4 | 05013987 05016746 | BOLT, .375-16 X 1.250,G5, CARRIAGE, ZINC BOLT, .375-16 X 1.250, CARRIAGE, SST |
| 3 | 4 | 05020898 05020891 | NUT, .375-16, TOP LOCK, C&W NUT, .375-16, NYLON LOCK, 316 SST |
| 4 | 8 | 05021307 05021390 | WASHER, .375, FLAT, ZINC WASHER, .375, FLAT, SST |

00012876 EXTENSION KIT, SPINNER, BOLT-ON

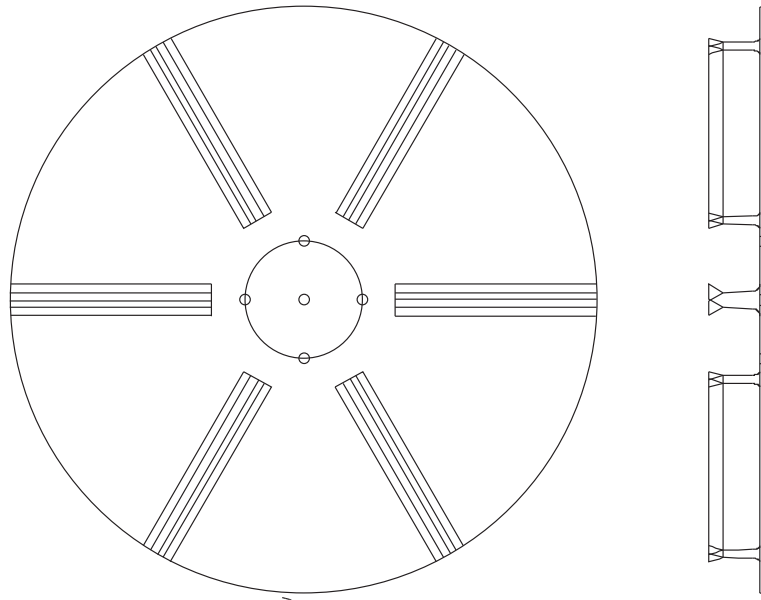
| Item | Qty. | Part Number | Description |
|------|------|--------------------------|--|
| 1 | 1 | 00059889-A 00059889-B | EXTENSION WELDMENT, CHUTE, TIP-UP, MS EXTENSION WELDMENT, CHUTE, TIP-UP, SST |
| 2 | 4 | 05013987 05016746 | BOLT, .375-16 X 1.250,G5, CARRIAGE, ZINC BOLT, .375-16 X 1.250, CARRIAGE, SST |
| 3 | 4 | 05020898 05020891 | NUT, .375-16, TOP LOCK, C&W NUT, .375-16, NYLON LOCK, 316 SST |
| 4 | 4 | 05021307 05021390 | WASHER, .375, FLAT, ZINC WASHER, .375, FLAT, SST |



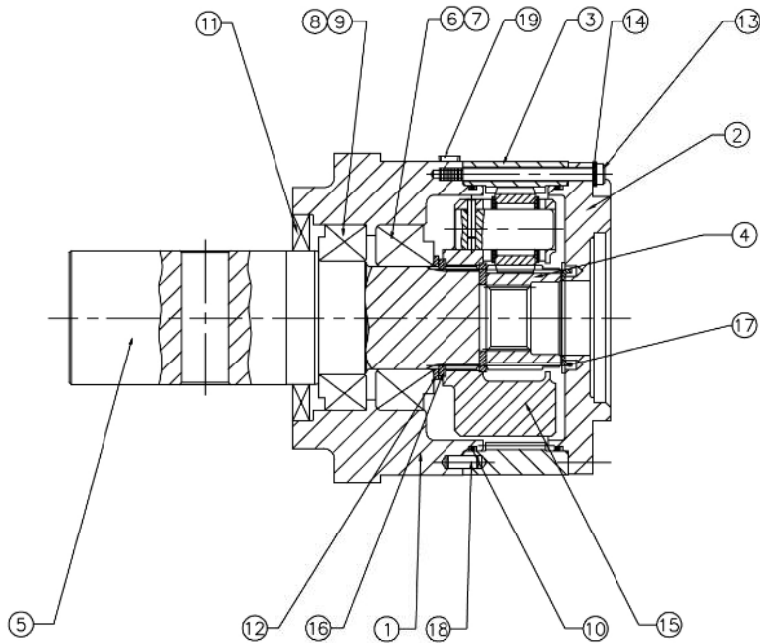
00099404 DISC ASSEMBLY, SPINNER, 20" CCW

| Item | Qty | Part Number | Description |
|------|-----|--|---|
| 1 | 1 | 00062012-A 00062012-B 00062012-C 00062012-D | Spinner Disc, 20" MS Spinner Disc, 20" SST Spinner Disc, 20" AR Spinner Disc, 20" Corten |
| 2 | 6 | 00080425-A 00080425-B 00080425-C | Spinner Flight, MS Spinner Flight, SST Spinner Flight, Corten |
| 3 | 12 | 05010617 05016137 | Bolt, $\frac{5}{16}$ -18 x $\frac{7}{8}$, G8, HHCS, Zinc Bolt, $\frac{5}{16}$ -18 x $\frac{7}{8}$, HHCS, SST |
| 4 | 12 | 05020265 05020855 | Nut, Hex, $\frac{5}{16}$ -18, G8, Zinc Nut, Hex, $\frac{5}{16}$ -18, G8, SST |
| 5 | 12 | 05021364 05021407 | Washer, Lock, $\frac{5}{16}$, Zinc Washer, Lock, $\frac{5}{16}$, SSST |

05050794 SPINNER DISC, 20" CCW, POLY WITH MOLDED FLIGHTS



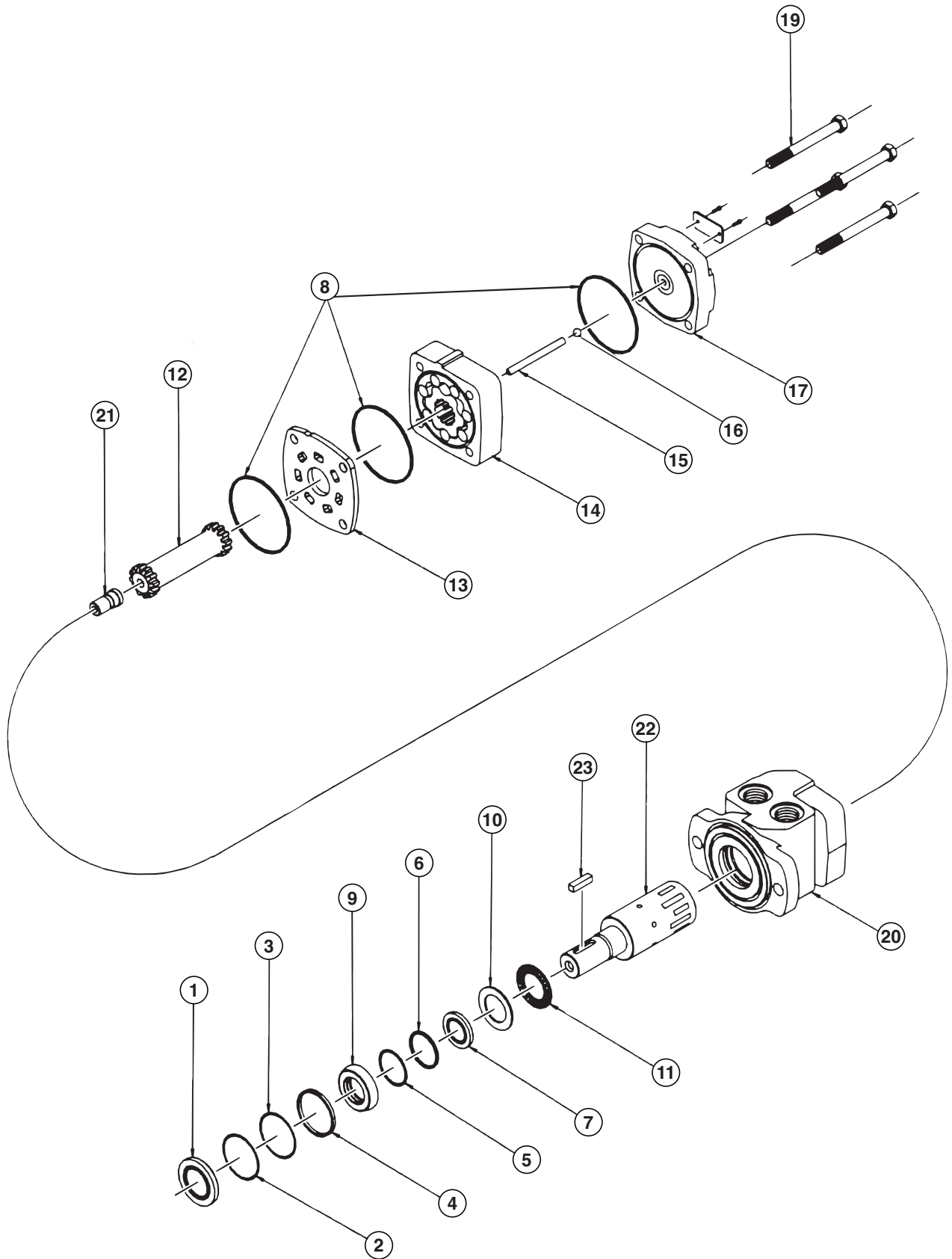
05007426 GEARBOX, PLANETARY, 3.6:1, 14T HYD INPUT



GEARBOX ASSEMBLY PARTS LIST

| ITEM | QTY | PART # | DESCRIPTION |
|------|-----|----------|--------------------------------|
| 1 | 1 | 05007491 | HOUSING |
| 2 | 1 | 05007490 | CAP INPUT |
| 3 | 1 | 05007489 | GEAR RING |
| 4 | 1 | 05007488 | GEAR SUN |
| 5 | 1 | 05007487 | SHAFT |
| 6 | 1 | 05007486 | BEARING CUP |
| 7 | 1 | 05007485 | BEARING CONE |
| 8 | 1 | 05007484 | BEARING CUP |
| 9 | 1 | 05007483 | BEARING CONE |
| 10 | 2 | 05007482 | O-RING |
| 11 | 1 | 05007481 | OIL SEAL |
| 12 | 1 | 05007480 | SPACER |
| 13 | 12 | 05007479 | SOCKET HEAD BOLT |
| 14 | 12 | 05007478 | LOCK WASHER |
| 15 | 1 | 05007477 | SECONDARY CARRIER SUB ASSEMBLY |
| 16 | 1 | 05007476 | SNAP RING |
| 17 | 1 | 05007475 | RETAINING WASHER |
| 18 | 2 | 05007474 | DOWEL PIN |
| 19 | 2 | 05007473 | SOCKET HEAD PIPE PLUG |
| --- | 1 | 05052993 | O-RING .125" |

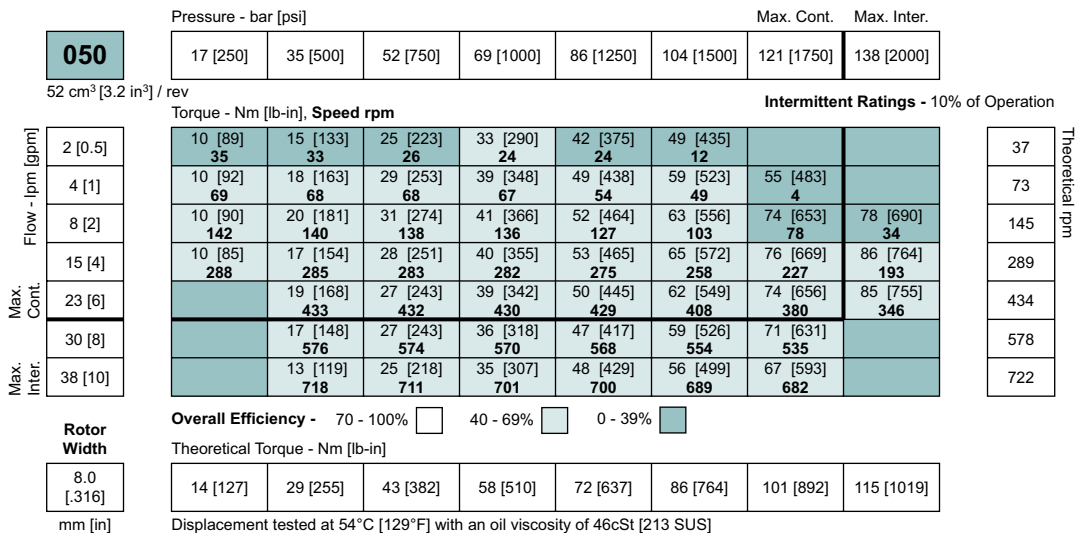
05006673 MOTOR, HYD, WHITE, 3.2CI, 4B, 1" EXT SHAFT, .875" ORB/SEAL SAVER



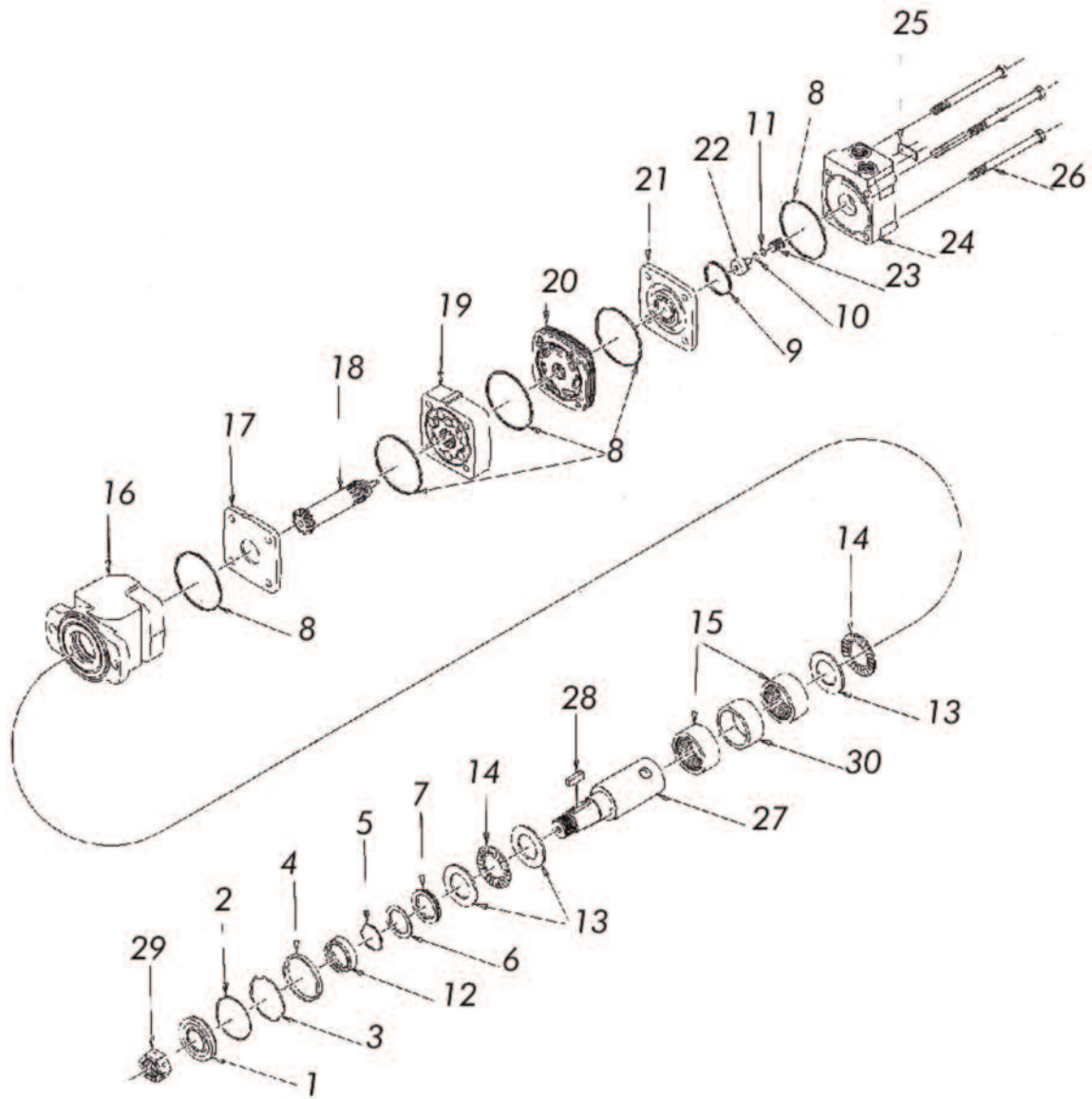
MOTOR ASSEMBLY PARTS LIST

| Item | Part Number | Description |
|------|----------------------|---|
| 1 | Seal Kit 05006679 | Dust Seal |
| 2 | | Split Wire Ring |
| 3 | | Metal Backup Shim |
| 4 | | High Pressure Seal |
| 5 | | Metal Backup Shim |
| 6 | | Teflon Backup Shim |
| 7 | | Shaft Seal |
| 8 | | Body Seals (3) |
| 9 | | Seal Carrier |
| 10 | | Thrust Washer |
| 11 | --- | Thrust Bearing |
| 12 | --- | Drive Link Kit |
| 13 | --- | Wear Plate |
| 14 | --- | Rotor Kit |
| 15 | --- | Drive Link Pin Kit |
| 16 | --- | Included in item #15 Drive Link Pin Kit |
| 17 | --- | End Cover |
| 18 | --- | Serial Number Plate |
| 19 | --- | Bolt Set Kit |
| 20 | 05006564 | Housing Kit, 4-Hole, w/ 7/8" O-Ring |
| 21 | --- | Cooling Plug |
| 22 | 05006410 | Shaft Kit 1" Straight Speed Sensor |
| 23 | --- | Key Kit, 1" Straight |

DISPLACEMENT PERFORMANCE



05006706 MOTOR, HYD, WHITE, 24.9CI, 2B, 1.25
14SPLINE, EXTNL CASE DRAIN, HB



See Page 110 for performance data

MOTOR ASSEMBLY PARTS LIST

| Item | Part Number | Description |
|------|----------------------|---------------------|
| 1 | Seal Kit 05006634 | Dust Seal |
| 2 | | Split Wire Ring |
| 3 | | Metal Backup Shim |
| 4 | | High Pressure Seal |
| 5 | | Metal Backup Shim |
| 6 | | Teflon Backup Shim |
| 7 | | Shaft Seal |
| 8 | | Body Seals (3) |
| 9 | | Seal Carrier |
| 10 | | O-Ring Seal |
| 11 | | Teflon Backup Seal |
| 12 | 05006635 | Seal Carrier |
| 13 | --- | Thrust Washer |
| 14 | --- | Thrust Bearing |
| 15 | --- | Roller Bearing |
| 16 | --- | Housing Kit |
| 17 | 05006640 | Wear Plate |
| 18 | --- | Drive link Kit |
| 19 | --- | Rotor Kit |
| 20 | 05006641 | Manifold |
| 21 | 05006642 | Commutator Assembly |
| 22 | --- | Endcover Piston |
| 23 | --- | Pisston Spring |
| 24 | 05006644 | Endcover Kits |
| 26 | --- | Bolt Set Kit |
| 27 | 05006685 | Shaft Kit |
| 28 | --- | Key Kit |
| 29 | --- | Nut Kit |

| 400 | Pressure - bar [psi] | | | | Max. Cont. | | Peak |
|-----|----------------------|----------|-----------|------------|------------|------------|------------|
| | 17 [250] | 35 [500] | 69 [1000] | 104 [1500] | 138 [2000] | 173 [2500] | 207 [3000] |

409 cm³ [24.9 in³] / rev

| Flow - lpm [gpm] | Torque - Nm [lb-in], Speed rpm | | | | | | | Intermittent Ratings - 10% of Operation | | |
|------------------|--------------------------------|-------------------|-------------------|-------------------|-------------------|-------------------|--------------------|---|--|--|
| | 85 [757] 4 | 193 [1710] 4 | 367 [3248] 3 | 534 [4721] 2 | | | | | | |
| 4 [1] | 88 [776] 9 | 185 [1640] 8 | 383 [3386] 8 | 580 [5129] 6 | 745 [6590] 4 | 899 [7954] 1 | | | | |
| 8 [2] | 86 [762] 18 | 196 [1734] 18 | 394 [3487] 17 | 586 [5184] 15 | 764 [6763] 11 | 927 [8204] 5 | | | | |
| 15 [4] | 85 [749] 37 | 188 [1661] 36 | 404 [3571] 35 | 602 [5325] 32 | 796 [7047] 24 | 962 [8517] 18 | 1108 [9804] 9 | | | |
| 23 [6] | 71 [629] 55 | 180 [1593] 55 | 387 [3428] 54 | 596 [5274] 49 | 787 [6969] 39 | 978 [8653] 28 | 1141 [10094] 20 | | | |
| 30 [8] | | 165 [1462] 74 | 373 [3299] 73 | 595 [5264] 69 | 792 [7010] 58 | 966 [8552] 44 | 1149 [10167] 31 | | | |
| 38 [10] | | 143 [1269] 92 | 356 [3150] 90 | 581 [5144] 88 | 782 [6923] 79 | 974 [8617] 62 | 1156 [10231] 45 | | | |
| 45 [12] | | 122 [1076] 111 | 333 [2950] 109 | 545 [4823] 107 | 749 [6624] 98 | 957 [8470] 83 | 1143 [10116] 61 | | | |
| 53 [14] | | 95 [842] 129 | 313 [2774] 128 | 521 [4607] 126 | 717 [6344] 117 | 931 [8235] 103 | 1131 [10007] 78 | | | |
| 61 [16] | | | 282 [2493] 147 | 496 [4385] 145 | 685 [6063] 141 | 919 [8131] 121 | 1100 [9733] 100 | | | |
| 68 [18] | | | 244 [2156] 166 | 453 [4009] 165 | 681 [6023] 158 | 871 [7708] 142 | 1071 [9478] 121 | | | |
| 76 [20] | | | 197 [1741] 185 | 420 [3713] 183 | 650 [5756] 179 | 838 [7417] 166 | 1051 [9302] 145 | | | |
| 83 [22] | | | 164 [1448] 203 | 378 [3344] 201 | 588 [5200] 198 | 810 [7171] 186 | | | | |
| 91 [24] | | | | 333 [2947] 222 | 559 [4945] 220 | 750 [6640] 211 | | | | |
| 95 [25] | | | | 303 [2682] 231 | 539 [4773] 228 | 764 [6760] 221 | | | | |

| Rotor Width |
|--------------|
| 63.5 [2.500] |

mm [in]

Overall Efficiency - 70 - 100% 40 - 69% 0 - 39%

Theoretical Torque - Nm [lb-in]

| | | | | | | |
|-----------|------------|------------|------------|------------|-------------|--------------|
| 112 [991] | 224 [1982] | 448 [3965] | 672 [5947] | 896 [7930] | 1120 [9912] | 1344 [11895] |
|-----------|------------|------------|------------|------------|-------------|--------------|

Displacement tested at 54°C [129°F] with an oil viscosity of 46cSt [213 SUS]

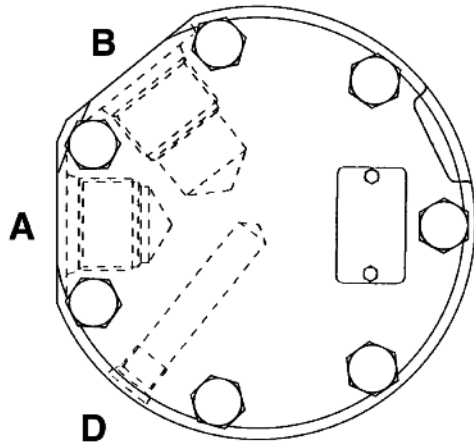
► Performance data is typical. Performance of production units varies slightly from one motor to another.

DELIVERING THE POWER TO GET WORK DONE

7

Case Drain Important Instructions:

- All external case drains on motors must have a dedicated return hose to the oil tank.
- Hose size must be as directed by the motor manufacturer.
- Return connection (port) at tank should be just below normal oil level in tank.
- Multiple case drains can be T'd into one port on an oil tank if done at the tank port.
- The case drain circuit should not have a filter installed. If a filter is placed in the case drain circuit, the filter rating must be no less than 125 microns.
- Maximum allowable peak backpressure on a case drain circuit is 15psig
- The oil return hose on a motor with internal case drain shall be a dedicated circuit back to tank and not combined with other return circuits.
- Motors with internal case drains must not be connected in series.

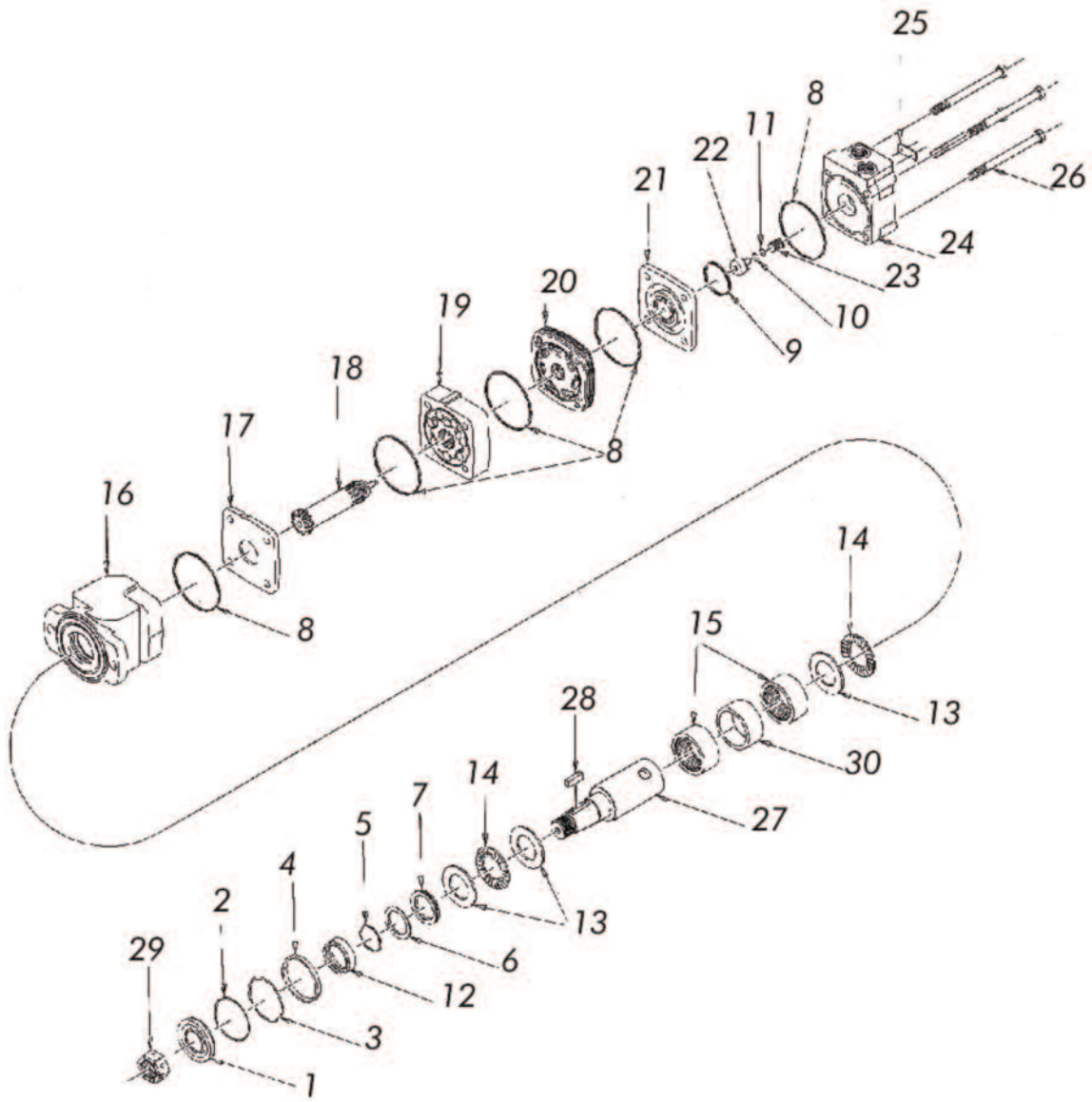


PRESSURIZING PORT "B" RESULTS IN A CLOCKWISE SHAFT ROTATION AS VIEWED FROM THE SHAFT END.

DRAIN LINE "D" MUST BE ROUTED BACK TO TANK.

LEFT INTENTIONALLY BLANK

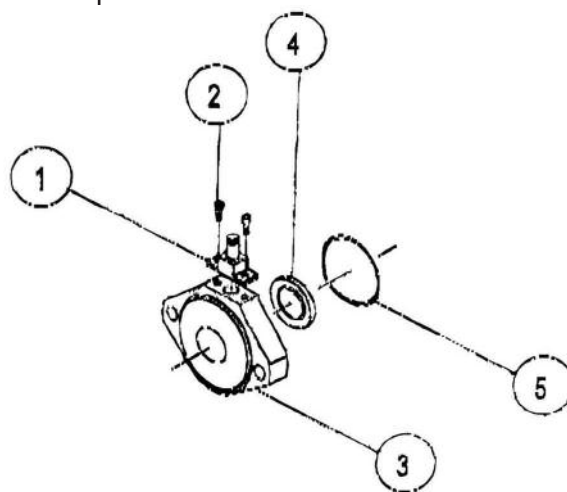
05006707 MOTOR, HYD, WHITE, 24.9CI, 2B, 1.25
14SPL, 100P SNSOR, EXT DRAIN, HB



See Page 114 for performance data

MOTOR ASSEMBLY PARTS LIST

| Item | Part Number | Description |
|------|----------------------|---------------------|
| 1 | Seal Kit 05006634 | Dust Seal |
| 2 | | Split Wire Ring |
| 3 | | Metal Backup Shim |
| 4 | | High Pressure Seal |
| 5 | | Metal Backup Shim |
| 6 | | Teflon Backup Shim |
| 7 | | Shaft Seal |
| 8 | | Body Seals (3) |
| 9 | | Seal Carrier |
| 10 | | O-Ring Seal |
| 11 | | Teflon Backup Seal |
| 12 | 05006635 | Seal Carrier |
| 13 | --- | Thrust Washer |
| 14 | --- | Thrust Bearing |
| 15 | --- | Roller Bearing |
| 16 | --- | Housing Kit |
| 17 | 05006640 | Wear Plate |
| 18 | --- | Drive link Kit |
| 19 | --- | Rotor Kit |
| 20 | 05006641 | Manifold |
| 21 | 05006642 | Commutator Assembly |
| 22 | --- | Endcover Piston |
| 23 | --- | Pisston Spring |
| 24 | 05006644 | Endcover Kits |



SPEED SENSOR KIT

| Item | Qty | Part Number | Description |
|------|-----|-------------|--|
| 1 | 1 | 05006629 | Standard 4-Pin Speed Sensor, 100 Pulse |
| 2 | 2 | 05006561 | Sensor Attachment Screws |
| 3 | 1 | 05006600 | 2-Hole Sensor Flange |
| 4 | 1 | 05006418 | Sensor Magnet |
| 5 | 1 | 05006601 | 2-Hole Sensor Flange Seal |

| 400 | Pressure - bar [psi] | | | | | | Max. Cont. | Peak |
|-----|----------------------|----------|-----------|------------|------------|------------|------------|------|
| | 17 [250] | 35 [500] | 69 [1000] | 104 [1500] | 138 [2000] | 173 [2500] | 207 [3000] | |

409 cm³ [24.9 in³] / rev

| Flow - lpm [gpm] | Torque - Nm [lb-in], Speed rpm | | | | | | Intermittent Ratings - 10% of Operation | | | Theoretical rpm |
|------------------|--------------------------------|-------------------|-------------------|-------------------|-------------------|-------------------|---|--|--|-----------------|
| | 85 [757] 4 | 193 [1710] 4 | 367 [3248] 3 | 534 [4721] 2 | | | | | | |
| 4 [1] | 88 [776] 9 | 185 [1640] 8 | 383 [3386] 8 | 580 [5129] 6 | 745 [6590] 4 | 899 [7954] 1 | | | | |
| 8 [2] | 86 [762] 18 | 196 [1734] 18 | 394 [3487] 17 | 586 [5184] 15 | 764 [6763] 11 | 927 [8204] 5 | | | | |
| 15 [4] | 85 [749] 37 | 188 [1661] 36 | 404 [3571] 35 | 602 [5325] 32 | 796 [7047] 24 | 962 [8517] 18 | 1108 [9804] 9 | | | |
| 23 [6] | 71 [629] 55 | 180 [1593] 55 | 387 [3428] 54 | 596 [5274] 49 | 787 [6969] 39 | 978 [8653] 28 | 1141 [10094] 20 | | | |
| 30 [8] | | 165 [1462] 74 | 373 [3299] 73 | 595 [5264] 69 | 792 [7010] 58 | 966 [8552] 44 | 1149 [10167] 31 | | | |
| 38 [10] | | 143 [1269] 92 | 356 [3150] 90 | 581 [5144] 88 | 782 [6923] 79 | 974 [8617] 62 | 1156 [10231] 45 | | | |
| 45 [12] | | 122 [1076] 111 | 333 [2950] 109 | 545 [4823] 107 | 749 [6624] 98 | 957 [8470] 83 | 1143 [10116] 61 | | | |
| 53 [14] | | 95 [842] 129 | 313 [2774] 128 | 521 [4607] 126 | 717 [6344] 117 | 931 [8235] 103 | 1131 [10007] 78 | | | |
| 61 [16] | | | 282 [2493] 147 | 496 [4385] 145 | 685 [6063] 141 | 919 [8131] 121 | 1100 [9733] 100 | | | |
| 68 [18] | | | 244 [2156] 166 | 453 [4009] 165 | 681 [6023] 158 | 871 [7708] 142 | 1071 [9478] 121 | | | |
| 76 [20] | | | 197 [1741] 185 | 420 [3713] 183 | 650 [5756] 179 | 838 [7417] 166 | 1051 [9302] 145 | | | |
| 83 [22] | | | 164 [1448] 203 | 378 [3344] 201 | 588 [5200] 198 | 810 [7171] 186 | | | | |
| 91 [24] | | | | 333 [2947] 222 | 559 [4945] 220 | 750 [6640] 211 | | | | |
| 95 [25] | | | | 303 [2682] 231 | 539 [4773] 228 | 764 [6760] 221 | | | | |

| Rotor Width |
|--------------|
| 63.5 [2.500] |
| mm [in] |

Overall Efficiency - 70 - 100% 40 - 69% 0 - 39%

Theoretical Torque - Nm [lb-in]

| | | | | | | |
|-----------|------------|------------|------------|------------|-------------|--------------|
| 112 [991] | 224 [1982] | 448 [3965] | 672 [5947] | 896 [7930] | 1120 [9912] | 1344 [11895] |
|-----------|------------|------------|------------|------------|-------------|--------------|

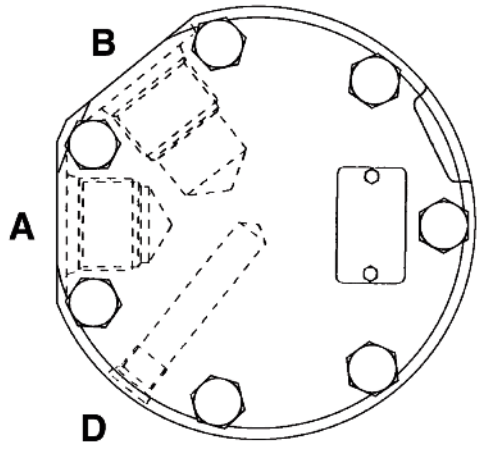
Displacement tested at 54°C [129°F] with an oil viscosity of 46cSt [213 SUS]

► Performance data is typical. Performance of production units varies slightly from one motor to another.

DELIVERING THE POWER TO GET WORK DONE

Case Drain Important Instructions:

- All external case drains on motors must have a dedicated return hose to the oil tank.
- Hose size must be as directed by the motor manufacturer.
- Return connection (port) at tank should be just below normal oil level in tank.
- Multiple case drains can be T'd into one port on an oil tank if done at the tank port.
- The case drain circuit should not have a filter installed. If a filter is placed in the case drain circuit, the filter rating must be no less than 125 microns.
- Maximum allowable peak backpressure on a case drain circuit is 15psig
- The oil return hose on a motor with internal case drain shall be a dedicated circuit back to tank and not combined with other return circuits.
- Motors with internal case drains must not be connected in series.



PRESSURIZING PORT "B" RESULTS IN A CLOCKWISE SHAFT ROTATION AS VIEWED FROM THE SHAFT END.

DRAIN LINE "D" MUST BE ROUTED BACK TO TANK.



Service Bulletin

Copyright © 2014, Monroe Truck Equipment

Subject: Installing grease in White hydraulic motor sensor blocks

Description:

The sensor motor blocks that are installed between White hydraulic motors and gearboxes have an internal cavity that houses the pulse rotor on the motor shaft. This cavity is isolated from the motor and the gearbox, and the sensor components do not require any lubrication.

During the life of the motor and sensor block assembly, some moisture will work into the cavity and cause corrosion that can damage the sensor. Units disassembled in the field have been found to be severely corroded inside.

White provides a grease fitting on the sensor block to allow installation of grease for corrosion protection. The blocks must be filled with grease during initial installation and checked annually during operation. This Service Bulletin describes the proper method of installing grease in a sensor block.

Required Grease

Sensor blocks must be filled only with dielectric (non-conductive) grease. The use of grease containing electrically-conductive materials (graphite, etc.) will cause errors in the sensor pickup signal to the cab controller.

Proper Method of Grease Installation

The sensor pickup must be removed before grease is pumped into the sensor block. This allows the grease to flow in without pressurizing the sensor cavity. Pumping grease in the fitting without removing the pickup will build pressure in the cavity and may damage the shaft seals or the block isolation O-rings.

Frequency of Grease Installation

The block cavity must be filled during initial assembly and installation of the motor. No more than annually, the pickup should be removed and additional grease pumped into the block to insure it is filled. End users must be informed and reminded that this is not a lubrication point and must not be included in lubrication schedules for bearings and other frequently-lubricated components.

| | | |
|-----------------------------|-------------------------------|-----------------------|
| Bulletin #: SB-00306 | Release Date: 04/02/14 | Revision Date: |
|-----------------------------|-------------------------------|-----------------------|



Service Bulletin

Copyright © 2014, Monroe Truck Equipment

Subject: Installing grease in White hydraulic motor sensor blocks

Description:

The sensor motor blocks that are installed between White hydraulic motors and gearboxes have an internal cavity that houses the pulse rotor on the motor shaft. This cavity is isolated from the motor and the gearbox, and the sensor components do not require any lubrication.

During the life of the motor and sensor block assembly, some moisture will work into the cavity and cause corrosion that can damage the sensor. Units disassembled in the field have been found to be severely corroded inside.

White provides a grease fitting on the sensor block to allow installation of grease for corrosion protection. The blocks must be filled with grease during initial installation and checked annually during operation. This Service Bulletin describes the proper method of installing grease in a sensor block.

Required Grease

Sensor blocks must be filled only with dielectric (non-conductive) grease. The use of grease containing electrically-conductive materials (graphite, etc.) will cause errors in the sensor pickup signal to the cab controller.

Proper Method of Grease Installation

The sensor pickup must be removed before grease is pumped into the sensor block. This allows the grease to flow in without pressurizing the sensor cavity. Pumping grease in the fitting without removing the pickup will build pressure in the cavity and may damage the shaft seals or the block isolation O-rings.

Frequency of Grease Installation

The block cavity must be filled during initial assembly and installation of the motor. No more than annually, the pickup should be removed and additional grease pumped into the block to insure it is filled. End users must be informed and reminded that this is not a lubrication point and must not be included in lubrication schedules for bearings and other frequently-lubricated components.

| | | |
|-----------------------------|-------------------------------|-----------------------|
| Bulletin #: SB-00306 | Release Date: 04/02/14 | Revision Date: |
|-----------------------------|-------------------------------|-----------------------|

MONROE TRUCK EQUIPMENT, INC. WARRANTY SNOW & ICE CONTROL PRODUCTS

Monroe Truck Equipment, Inc. warrants to the original purchaser, that if any part of the product proves to be defective in workmanship or material within **ONE YEAR** of the original installation, and is returned to us within 30 days of the discovered defect, we will (at our option) repair or replace the defective part. This warranty does not apply to damage resulting from misuse, neglect, accident, improper installation, normal wear items or lack of maintenance. This warranty is exclusive and supersedes all other warranties, whether expressed or implied. **Monroe Truck Equipment, Inc.** neither assumes, nor authorizes anyone to assume for it, any other obligation or liability in connection with this warranty and will not be liable for consequential damages.

All engines, pumps, motors, cylinders and valves are warranted by their manufacturer and not by **Monroe Truck Equipment, Inc.**. The manufacturer's warranty will apply to these parts. Electrical and hydraulic components are not to be disassembled without the express written permission of Monroe Truck Equipment. Use of replacement parts other than original equipment voids this warranty.

All defective parts returned must be accompanied by the model number, serial number, date installed, date of defect, description of defect, and the name of the distributor from whom it was purchased. All warranty claims must have prior written approval from **Monroe Truck Equipment, Inc.**

Please return the warranty registration card that accompanies this manual to confirm receipt of this parts catalog and acknowledge the information contained within. Failure to return the attached card may result in a voided warranty.



**1051 West 7th Street
 Monroe, WI 53566
 608-328-8127 ~ Fax: 608-328-4278**

Warranty Policy Uninstalled Parts and Equipment Provided by Monroe Truck Equipment

Monroe Truck Equipment will provide the following limited warranty for a period of one year to the original purchaser of all uninstalled goods provided by Monroe Truck Equipment:

LIMITED WARRANTY: All goods provided by Monroe Truck Equipment (MTE) will be free from defects in material and workmanship for a period of one year from the date of purchase by the original purchaser. This limited warranty shall be the sole and exclusive remedy for any such product found to be defective. This limited warranty supercedes all previous warranties and is exclusive and in lieu of all other warranties, whether expressed or implied.

This limited warranty applies only to parts or accessories manufactured by MTE and/or provided by same. Except with respect to title, this limited warranty does not pertain to parts or accessories not manufactured and/or provided by MTE, regardless of whether such parts or accessories were selected and/or recommended by MTE. MTE will, as a service to the buyer, pass on any warranties received from the original manufacturer of MTE provided parts and/or accessories.

MTE will not under any circumstances be liable for any incidental or consequential damages whether in tort, contract, or otherwise, for any bodily injury, death, property damage, loss of use, or loss of income resulting from or in any way arising out of any goods provided by MTE, or their sale, use, or manufacture.

Any warranty claim deemed to be arising from the result of misuse, abuse, neglect, accident, improper installation, lack of maintenance, act of war (whether declared or otherwise), or act of God will be denied. Any repair or modification by the buyer or any third party, without the prior written consent of MTE, will void any possible warranty compensation. Any damage deemed to be the result of abnormal operation will not be compensated by this warranty.

Normal or special maintenance items such as fuels, fluids, tires/belts, hoses, filters, air cleaners, light bulbs, and any other items subject to normal wear and tear that are supplied in connection with goods provided by MTE are not allowed under this warranty.

All engines, pumps, cylinders, valves, and motors are warranted by their manufacturer and not by Monroe Truck Equipment. The manufacturer's warranty will apply to these parts. Electrical and hydraulic components are not to be disassembled without the express written consent of MTE. Any disassembly of MTE provided components without prior authorization will void the applicable warranty.

Monroe Truck Equipment shall be the sole and final determining authority as it applies to the administration of this warranty policy. Purchaser acknowledges receipt of Monroe Truck Equipment Warranty Policy and agrees to be bound by same.



GLOBAL SOLUTIONS
 ARMORED VEHICLES ~ SPORT TRUCK CONVERSIONS
 MUNICIPAL SNOW & ICE CONTROL ~ FIRE APPARATUS
 PICKUP TRUCK ACCESSORIES ~ TRUCK EQUIPMENT/MODIFICATIONS





**1051 West 7th Street
Monroe, WI 53566
608-328-8127 ~ Fax: 608-328-4278**

Any and all warranty claims must be forwarded to MTE within 10 days of defect discovery. A copy of the original Monroe Truck Equipment invoice as well as the manufacturer's model number, serial number, and date of installation must accompany all correspondence regarding said claims. MTE will, at their option, choose whether to repair or replace the defective part unless otherwise specified by the original manufacturer of said part.

Procedures for Warranty Claims Notification

For submission of any warranty claim please contact Monroe Truck Equipment – Warranty Department at 800-356-8134

The following documentation will be needed when you call for initial warranty authorization:

1. A copy of the original MTE invoice.
2. Make, Model, and VIN or Serial Number of the equipment involved.
3. Part number and serial number of the part in question.
4. A complete description of the problem.

The following must accompany any claims submitted to Monroe Truck Equipment:

1. Documented photographs of any physical damage.
2. Inspection notes by MTE personnel or MTE authorized 3rd party.
3. Authorization number issued by Monroe Truck Equipment – Warranty Department.

Defective parts must be returned to Monroe Truck Equipment (freight prepaid) within 30 days of issuance of Authorization Number.

Monroe Truck Equipment reserves the right to void any warranty for failure to comply with Monroe Truck Equipment Warranty Policy.

This policy is effective October 11, 2012

