



---

# Parts & Service Manual for MCV Spreader Conveyor Style



Monroe Snow & Ice Control  
1051 W. 7th Street • Monroe, WI 53566  
USA: 877-834-9049 • Fax: 608-329-8488  
[www.monroetruck.com](http://www.monroetruck.com)

05090603-3  
5/28/2014



# Table of Contents

---

General Information	2
How to Order Parts	2
Return Policy	2
Safety Instructions	3
Maintenance Instructions	6
Installation Instructions	9
Operating Instructions	10
Hydraulic Schematics	12
Wiring Schematics	11
Replacement Parts	14
Warranty	176

## General Information

---

- Use only Monroe Truck Equipment O.E.M. replacement parts. Failure to do so will void the warranty.
- Location descriptions are noted in direction of travel (i.e. front, rear, left and right).
- Delivery of replacement parts is subject to our sales delivery terms.
- Replacement parts listed in this manual reflect the most common items for this product. If you do not find the part you require, please call your distributor.
- Monroe Truck Equipment reserves the right to make revisions or alterations to the parts manual at any time.

## How to Order Parts

---

To order or inquire about replacement parts, please contact the distributor or store that the product was purchased through. To speed the information flow, please have the following information available:

- Model Number
- Serial Number
- Part Number and/or Description of the Part
- Quantity Needed

For further information about Monroe Truck Equipment replacement parts, please call 877-834-9049.

## Return Policy

---

Merchandise returned to Monroe Truck Equipment must have a Warranty Service Request (WSR) form filled out completely and signed by authorized personnel.

To get your WSR form for whole goods, call Snow & Ice Sales at 800-880-0109.

To get your WSR form for replacement parts, call Snow & Ice Parts at 877-834-9049.

All returned items are subject to a 15% restocking fee and **must be sent freight pre-paid.**

# Safety Instructions

---

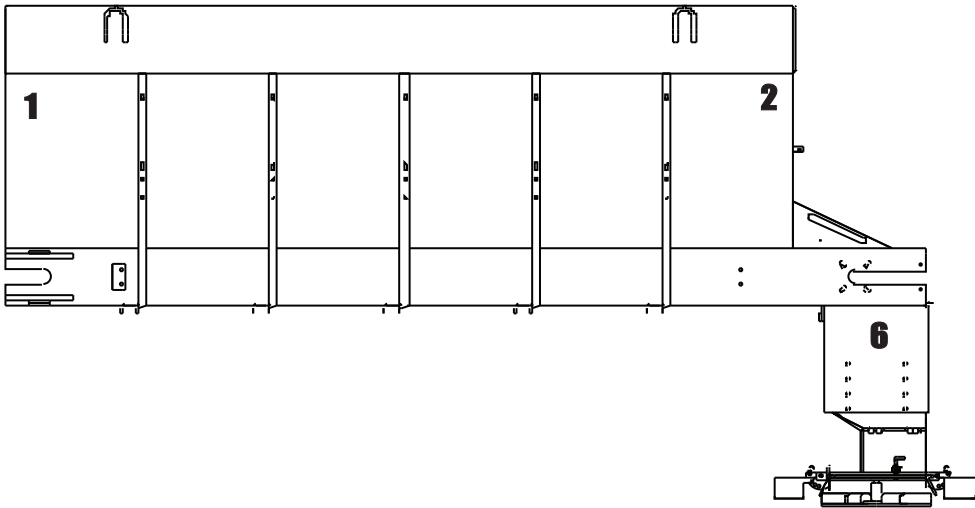
## **WARNING**

*Before working under the vehicle or around the spreader, shut off the truck engine and remove the key from the ignition. Prevent accidental startup and operation of the spreader to avoid personal injury!*

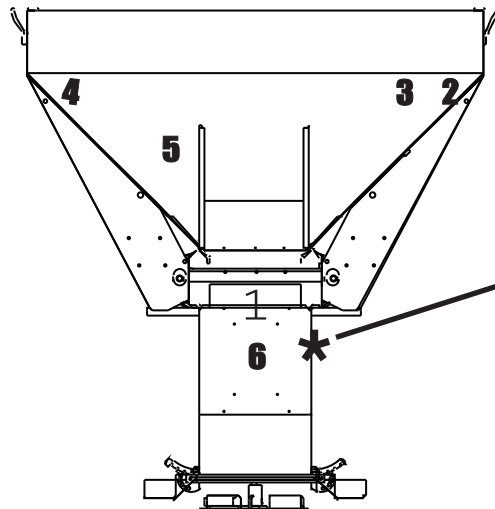
- Locate and read all safety decals on the unit before operating the equipment. Familiarize yourself with all potential hazards in operating this equipment.
- Read all installation, operation, and maintenance instructions before operating the equipment.
- Keep all provided shields, covers, and guards in place during operation of the unit.
- Stay away from moving chains, gears, and augers. Hands, feet, hair, and clothing can become entangled in moving parts, causing death or severe injury.
- Stay away from the spinner when it is rotating. The spinner can throw granular material with great force and can cause severe eye injury or blindness.
- Never enter the V-box unless the vehicle is turned off and the ignition key is removed. Follow lock-out/tag procedures for working on hazardous equipment.
- If the augers or conveyor jams or the granular material is frozen in the box, shut down and lock-out/tag the engine and hydraulic system, then clean out the box to free up the augers or conveyor.
- Watch for hydraulic fluid leaks at fittings and hoses. High-pressure fluid leaks can penetrate skin and cause severe injury.
- Do not climb on the V-box unless ladders or steps are provided, especially when the unit is wet or icy.
- If the V-box needs repair or the controls are not functioning properly, repair the unit immediately. Do not continue to operate a malfunctioning unit - further and more serious damage may occur.
- If the V-box is a slide-in or temporary mount unit, unload all material from the box before removing the box from the vehicle.
- Use the provided lifting loops to remove the box from a vehicle. If the spreader is a slide-in, skid unit with legs, follow all instructions for removing the unit from the vehicle.
- When storing a slide-in or temporary mount V-box for summer, locate it away from high traffic areas and block it securely so it cannot fall or be pushed over.

# Safety Decal Location

## DRIVER SIDE

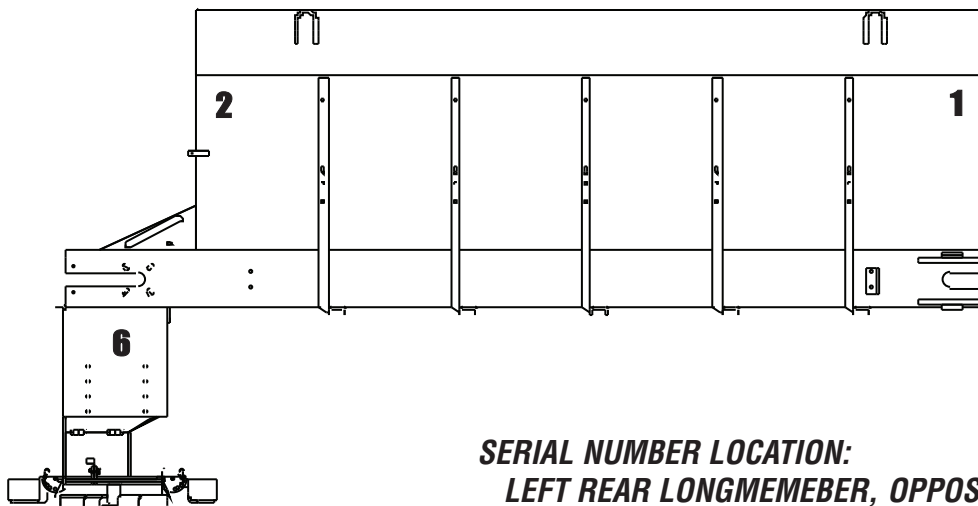


## REAR VIEW



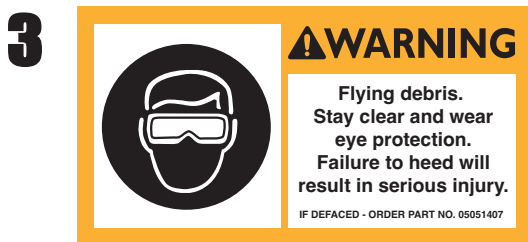
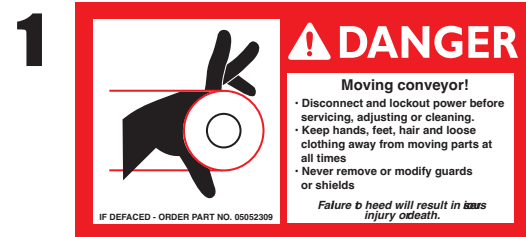
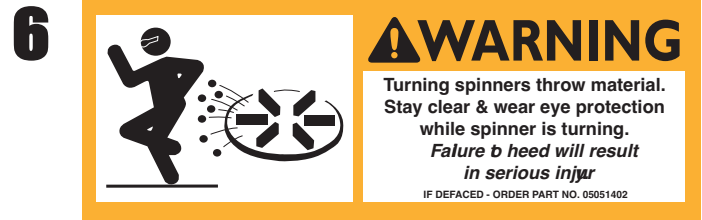
Denotes the location of the parts manual, canister and canister bracket. Reorder with the following part numbers:  
05052330 Canister  
05052331 Canister Bracket

## PASSENGER SIDE



**SERIAL NUMBER LOCATION:  
LEFT REAR LONGMEMEBER, OPPOSITE GEAR BOX**

# Safety Decal Location



Should you ever need replacement decals or parts/maintenance manuals, simply contact MTE and we will supply you with them FREE OF CHARGE. See [page 58-61](#) for safety decal replacement part numbers.

# Safety Decal Signal Words



**DANGER** (Red) indicates an imminently hazardous situation which, if not avoided, will result in death or serious injury.



**WARNING** (Orange) indicates a potentially hazardous situation which, if not avoided, could result in death or serious injury.



**CAUTION** (Yellow) indicates a potentially hazardous situation which, if not avoided, may result in minor or moderate injury.



**CAUTION** (Yellow) used without the safety risk alert symbol indicates a potentially hazardous situation which, if not avoided, may result in property damage.

## **! WARNING**

*Before working under the vehicle or around the spreader, shut off the truck engine and remove the key from the ignition. Prevent accidental startup and operation of the spreader to avoid personal injury!*

### In-Season

#### **Threaded Fasteners**

- Re-torque all fasteners after the first 8 hours of use.
- Check for loose, damaged, and missing fasteners before each use.
- Inspect and re-torque all fasteners at the beginning of each snow season.

#### **Grease Lubrication**

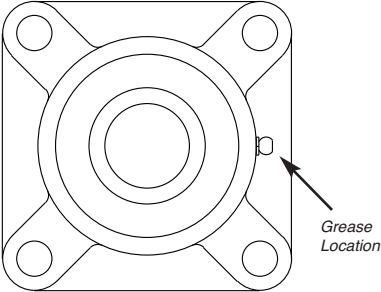
- Lubricate grease fittings every 10 hours during normal use and more often during heavy use.
- Do not over-grease sealed bearings. Grease should not be pushed out past the seals on these bearings. Refer to the greasing chart for sealed bearings.

**LUBRICATION**

All bearing units are factory prelubricated and, therefore, do not require supplemental grease before service life begins. Relubrication, when administered correctly, can increase the life of a bearing substantially. We recommend the following general guidelines to maximize your bearing life:

RPM	Temperature	Environmental Condition	Interval
100	32°F-120°F	Clean	6-12 months
500	32°F-150°F	Clean	2-6 months
1,000	32°F-210°F	Clean	2 wks to 2 months
1,500	Over 210°F	Clean	Daily to weekly
Any	32°F-150°F	Dirty	Weekly to monthly
Any	Over 150°F	Dirty	Daily to 2 wks
Any	Any Temp.	Very Dirty	Daily to weekly
Any	Any Temp.	Extremely Dirty	Daily to weekly

**BEARING, 4-BOLT FLANGE**



**NOTE:**  
Over lubrication is a major cause of bearing failures. Please relubricate conservatively when unsure of bearing requirements.  
When selecting a bearing lubricant, your dealer suggest any lithium-based NLGI #2 grease. For operating temperatures higher than 210°F, please consult your dealer.

- If the hydraulic pump has a PTO driveshaft, grease the U-joints and slip joint at the same time as the other fittings.

#### **Hydraulic System**

- Tighten all hydraulic fittings after the first 8 hours of use.
- Inspect hydraulic fittings for leaks every week and tighten as required. If a hydraulic fitting continues to leak after being tightened, replace the fitting as soon as possible.
- Maintain the hydraulic oil level at the upper black line on the reservoir sight gauge. Use a high-grade, non-foaming hydraulic oil. Do not mix different types and grades of oil.
- Keep dirt and other contaminants out of the reservoir. Pour oil through filter or screen when adding oil. Never operate the system with the filler cap not installed.
- Change the hydraulic oil annually or more often if it appears milky or discolored, or if it smells burned. If the oil needs to be changed frequently, investigate for a source of contamination or system overheating.
- Change the oil filter after the first 50 hours of operation, and then every 6 months or when the pressure differential gauge indicates the filter is plugging.
- When quick-disconnects are separated, cover and cap the ends to prevent the entry of contaminants into the hydraulic system and possible impact damage to the ends.



- Inspect the hydraulic hoses for wear or damage every month.

## **Conveyor/Auger & Drive**

- If a drive gearbox has a vent, keep the vent open and unobstructed. A blocked vent can cause seal damage.
- Check the oil level in the gearbox once a month during the in-service period.
- Change gearbox lubricant annually or more often if the oil turns milky, indicating water contamination. Use SAE 80-90 gear oil or the oil specified by the gearbox manufacturer.
- The slack on conveyor chains must be checked after the first 8 continuous hours of operation and then weekly during the in-service period. If the distance from the center of the rear sprocket and the point where the chain contacts the lower flange on the long member is less than 30", the chains must be tightened. Tighten the chains until the tension springs are compressed to approximately 5".
- Apply anti-seize lubricant to the threads on the chain adjuster bolts annually.

## **Routine Care**

- Check the operation of the spreader before each use.
- Verify that the material gate (hopper door) jack operates smoothly through its full range.
- Verify that the conveyor runs smoothly and the spreader controller can vary the drive speed through its full range.
- Verify that the spinner runs smoothly and the spreader controller can vary the drive speed through its full range.
- Verify that the Blast function at the spreader controller is working properly (if applicable).
- If the controller uses ground speed to control the conveyor speed, verify that this function is working properly.
- Unless the vehicle is stored inside a heated building, empty the box of all granular material before parking the vehicle in freezing conditions. Wet or damp material will freeze solid inside the box, making the spreader unusable until it is thawed out.
- At the end of each storm event, remove all material from the box, then pressure-wash the underside of the chassis and the spreader, especially all horizontal surfaces.  
Removing salt and other chemicals regularly will prolong the life of all components.




## **Maintenance Schedule**

- Due to the harsh operating conditions of a spreader, regular inspection and maintenance is critical to safe operation and durability of the spreader. The owner or end user must create and enforce the use of an inspection and maintenance schedule.

## **Off Season**

- Typically, the V-box spreader is removed from the vehicle and stored for the summer season.
- Remove all granular material from the box and pressure-wash it thoroughly to remove all dirt, salt, and other chemicals.
- When removing the V-box, use the supplied lifting eyes at the corners of the box (unless the V-box is a slide-in skid unit with legs).
- When hydraulic quick-disconnects are separated, cover and cap the ends to prevent the entry of contaminants into the hydraulic system and possible impact damage to the ends.
- Set the V-box on stable blocking to keep it off the ground. Remove the spinner assembly if required.
- Inspect the spreader closely for damage and make any required repairs immediately so that the spreader is ready to be reinstalled and used at the start of the next winter season.
- If possible, store the spreader indoors or under cover to reduce rusting and UV damage to hoses.
- Rust inhibitor may be applied to the chain, sprockets, and shafts to reduce rusting during storage.
- When reinstalling the spreader, replace any damaged fasteners and follow the fastener torquing guidelines for in-season use.

# Torque Chart

SIZE	 GRADE 2	 GRADE 5	 GRADE 8
1/4-20	50 IN-LBS	75 IN-LBS	9 FT-LBS
3/8-16	15 FT-LBS	23 FT-LBS	35 FT-LBS
1/2-13	35 FT-LBS	55 FT-LBS	80 FT-LBS
5/8-11	75 FT-LBS	110 FT-LBS	170 FT-LBS
3/4-10	130 FT-LBS	200 FT-LBS	280 FT-LBS
1-8	190 FT-LBS	480 FT-LBS	680 FT-LBS
1 1/4-7	380 FT-LBS	840 FT-LBS	1,360 FT-LBS

## Hydraulic Trouble Shooting Chart

<p><b>CONDITION 1</b> Pump cavitation recognized by excessive noise.</p> <p><b>CAUSE</b></p> <ul style="list-style-type: none"> <li>• Air entering system through suction lines.</li> <li>• Suction line kinked, twisted or too long.</li> <li>• Inadequate size suction line.</li> <li>• Oil too heavy.</li> <li>• Excessive pump speed.</li> </ul> <p><b>CORRECTION</b></p> <ul style="list-style-type: none"> <li>• Check line from reservoir for possible leaks.</li> <li>• Install suction line as short and straight as possible.</li> <li>• Increase suction line size.</li> <li>• Drain and replace with a low viscosity non-detergent oil.</li> <li>• Decrease PTO speed accordingly.</li> </ul>	<p><b>CONDITION 2</b> Erratic operation of conveyor and/or spinner.</p> <p><b>CAUSE</b></p> <ul style="list-style-type: none"> <li>• Low oil.</li> <li>• Worn or defective motor.</li> <li>• Dirty, worn or defective flow control valve.</li> <li>• Plugged filter.</li> <li>• Relief valve setting too low.</li> <li>• Pump cavitation.</li> <li>• Air vent on reservoir tank is blocked.</li> </ul> <p><b>CORRECTION</b></p> <ul style="list-style-type: none"> <li>• Fill reservoir to a <math>\frac{3}{4}</math> full level.</li> <li>• Repair or replace motor.*</li> <li>• Clean, repair or replace flow control.*</li> <li>• Replace filter element and clean filter.</li> <li>• Adjust relief valve for 1500 PSI.</li> <li>• Refer to pump section.</li> <li>• Clean or replace vent cap to admit atmospheric pressure to inside of the tank.</li> </ul>
<p><b>CONDITION 3</b> Slow operation of conveyor and/or spinner.</p> <p><b>CAUSE</b></p> <ul style="list-style-type: none"> <li>• Worn or defective pump.</li> <li>• Worn or defective motor.</li> <li>• Pump cavitation.</li> <li>• Insufficient pump speed.</li> </ul> <p><b>CORRECTION</b></p> <ul style="list-style-type: none"> <li>• Repair or replace pump.*</li> <li>• Repair or replace motor.*</li> <li>• Refer to pump section.</li> <li>• Increase PTO accordingly.</li> </ul>	<p><b>CONDITION 4</b> Conveyor and/or spinner will not operate.</p> <p><b>CAUSE</b></p> <ul style="list-style-type: none"> <li>• Quick disconnects are dirty, damaged, or improperly connected.</li> <li>• Hose connections wrong.</li> <li>• Foreign material in valve compensator.</li> </ul> <p><b>CORRECTION</b></p> <ul style="list-style-type: none"> <li>• Clean or replace and properly connect.</li> <li>• Refer to illustration.</li> <li>• Remove compensator and clean.</li> </ul>

# Installation Instructions

---

## PERMANENT CHASSIS MOUNT

1. Hardwood wear strips usually 1 x 3 (not furnished) must be fitted to the truck chassis.
2. The V-Box should be positioned on the wooden wear strips so that a distance of approximately 6" should be left between the truck cab and the front of the V-Box. This will help facilitate any future servicing of the conveyor chain.
3. Parts of some side gussets may have to be cut out to clear the truck tires.
4. Hardware kits for permanent mount V-Boxes are used to attach the V-Box to the truck chassis.
5. **DO NOT** weld mounting angles to the truck frame. Doing so can cause fatigue-cracking of the truck frame.

## SLIP-IN V-BOXES

1. Remove and store the dump box tailgate.
2. Place the V-Box in the dump body and push as far forward as possible. Longmembers must overhang the rear by approximately 22". If the dump body is not flat, it is suggested that the V-Box be placed on two 1 x 6 hardwood boards. This will help to evenly distribute the weight of the loaded V-Box on all of the cross channels.
3. The spinner assembly is slid into place on the rear of the spreader. The top flanges of the spinner extension box rest on top of the bottom flanges of the spreader main and can be slid into place. Use the 4 bolts to attach the spinner to the v-box.
4. The four **optional** tie-down bolts are hooked into the holes in the body side gussets (two on each side). The tie-down clips are slipped under the rail of the dump box or welded and the nut and jam nut tightened. An **optional** tailgate latch kit should also be installed.

**NOTE:** If swing-up spinner is used, longmembers must overhang rear of dump body a minimum of approximately 22".

# Operating Instructions

---

## CAUTION:

- When starting up new equipment, be sure everyone is standing clear, watch for anything that may require shutting system down.
- Be sure the On/Off control is completely to the OFF position before working in or around spreading equipment.

## INITIAL START UP:

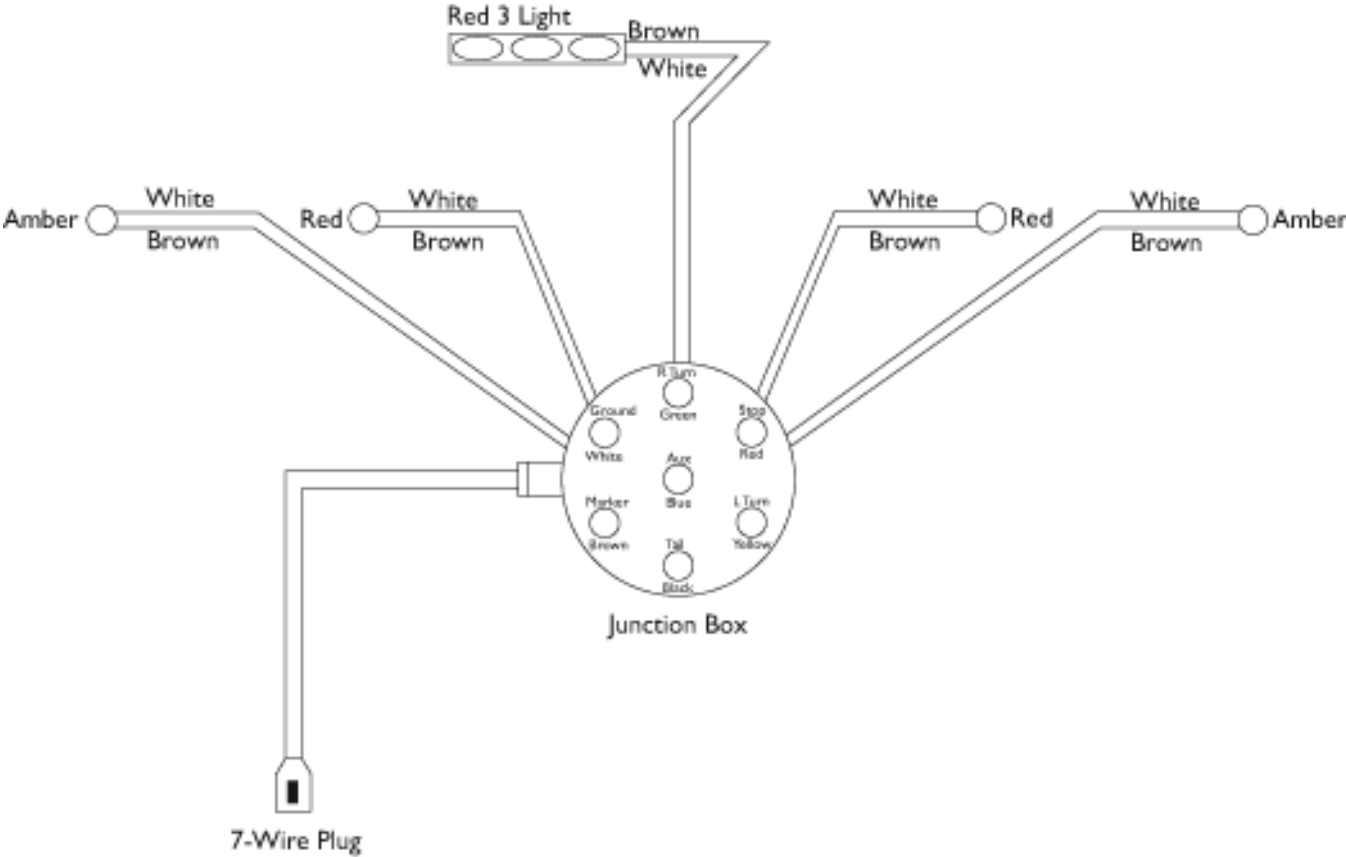
1. Fill reservoir about  $\frac{3}{4}$  full with high-grade non-foaming hydraulic oil. **KEEP OIL CLEAN!**
2. Move valve on-off control to OFF position.
3. Open conveyor and spinner control on valve.
4. Engage PTO and allow hydraulic oil to circulate several minutes to warm up.
5. Move valve on-off control to ON position.
6. Check entire hydraulic system for leaks.
7. Examine conveyor and spinner to see if they are running in right direction.
8. Fill reservoir to  $\frac{3}{4}$  full.
9. Hydraulic system is ready for use.

## SPREADER OPERATION:

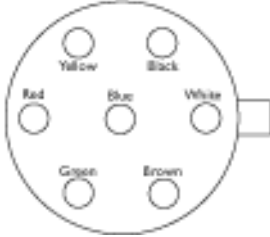
1. Start truck engine and allow hydraulic system to warm up by shutting off spinner and conveyor control and moving on-off control to ON position.
2. Operating the control marked "spinner" will increase the spinner speed and width of spread.
3. Operating the control marked "conveyor" will increase the conveyor speed and thus the amount of material spread.
4. The gate on the rear of the box will also allow more material to pass to the spinner when opened wider.
5. The spread pattern can be controlled by rotating the entire spinner chute assembly 180°. If the material is dropped on the front of the disc (**top mounted motor in front**) it will be spread behind and to the right of the truck. If material is dropped on the rear of the disc (**top mounted motor in rear**) it will be spread behind and to the left of the truck. The baffles inside the assembly will also further control the pattern left to right. Experimenting with the different positions will help to adjust the spread pattern as desired.
6. The control valve may be turned on and off or adjusted while truck is in motion.
7. Spinner and conveyor may be stopped at the same time without changing their valve settings by moving the on-off control to OFF position.

# Optional Wiring Schematic

Install the lights and connect the wiring using the diagram below.

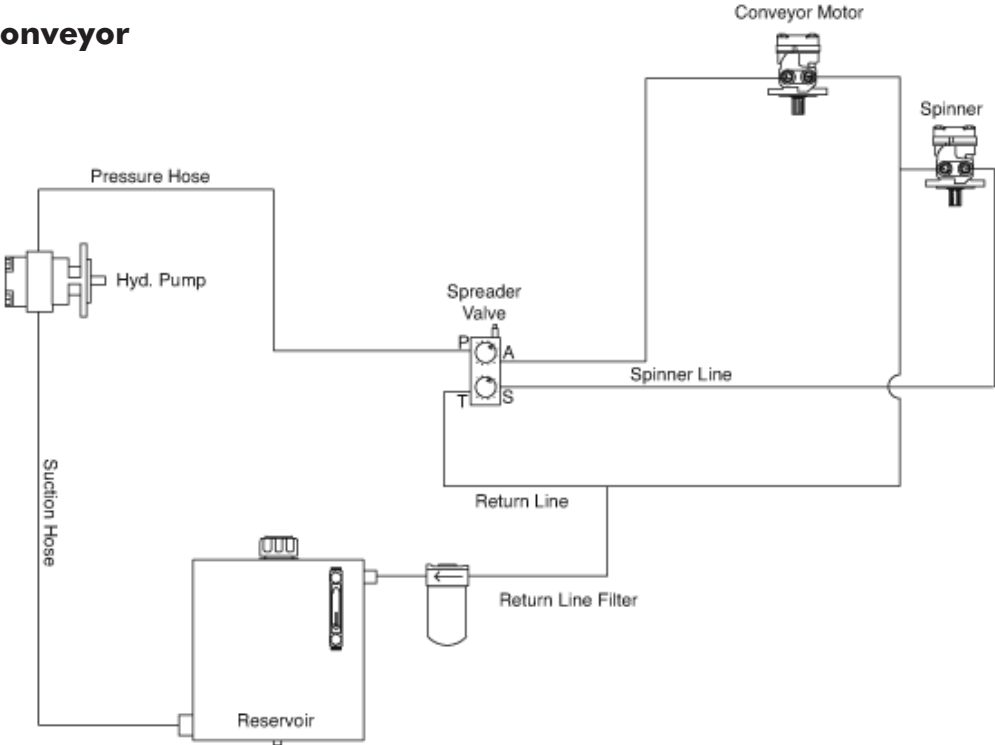


Matching View  
Cole Hersee Plug

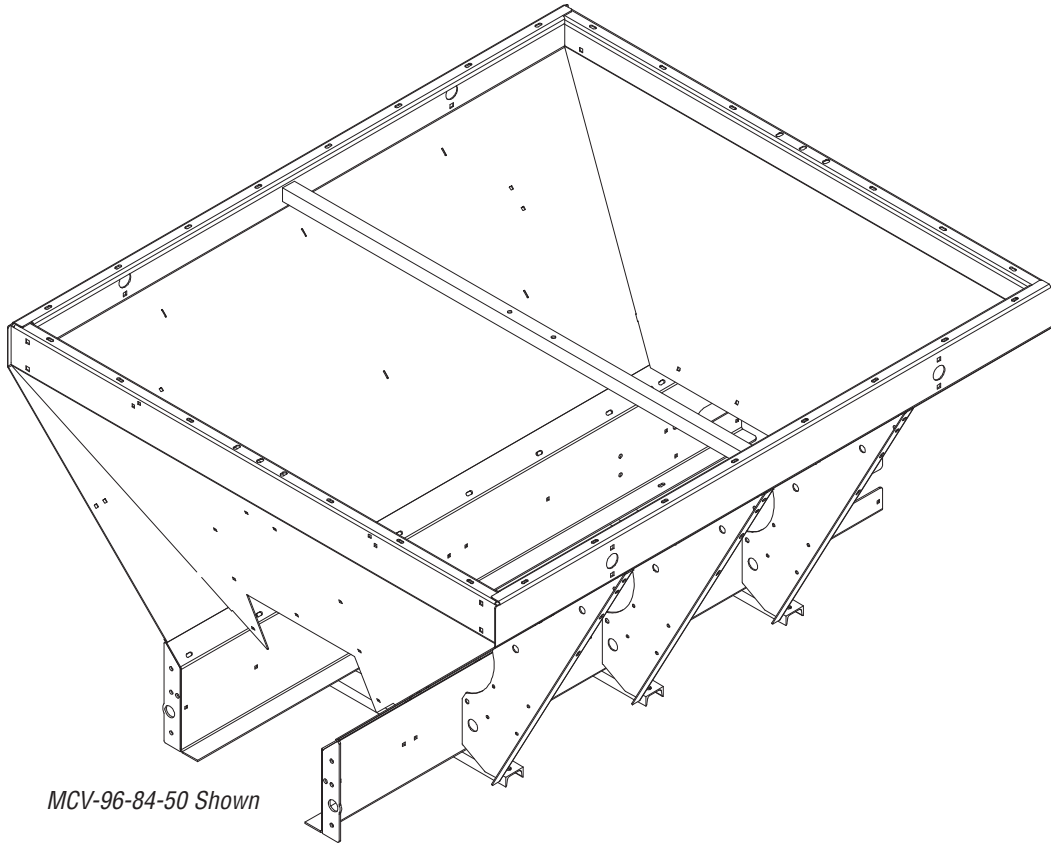


# Hydraulic Schematics

## Single Conveyor







MCV-96-84-50 Shown

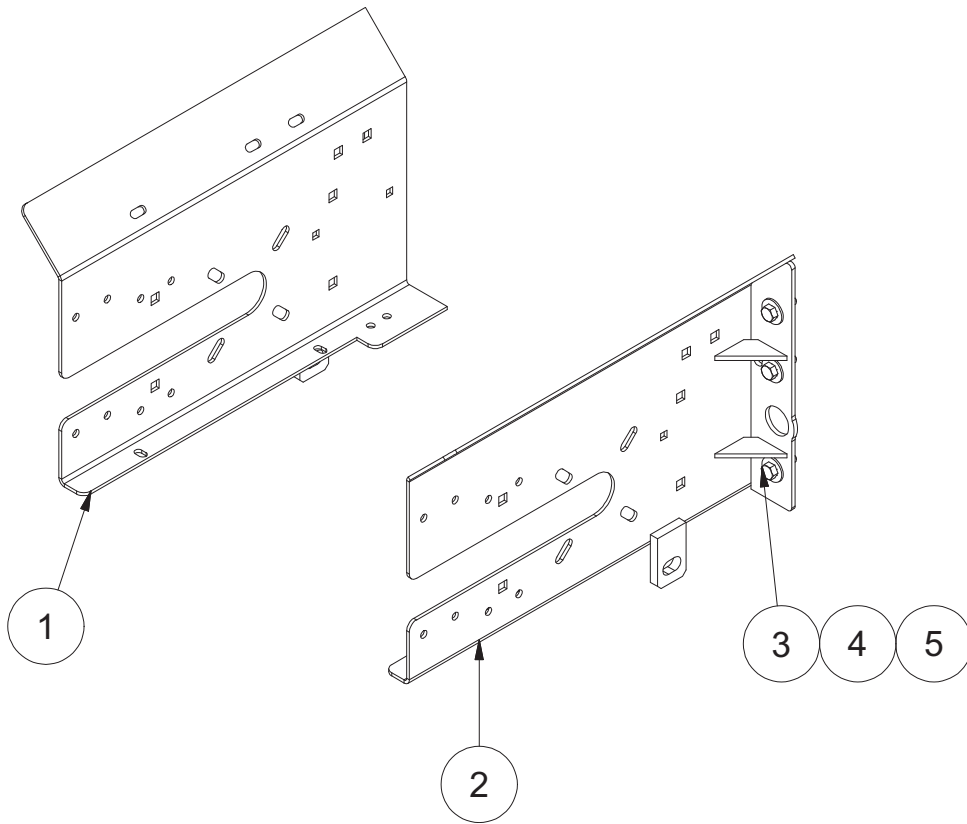
<b>MCV HOPPER WELDMENTS</b>			
<b>DESCRIPTION</b>	<b>PN# MILD STEEL</b>	<b>PN# 304 STAINLESS STEEL</b>	<b>PN# AUSST</b>
<b>MCV-96-84-50</b>	00143490-A	00143490-B	00143490-C
<b>MCV-96-84-56</b>	00143491-A	00143491-B	00143491-C
<b>MCV-108-84-50</b>	00143492-A	00143492-B	00143492-C
<b>MCV-108-84-56</b>	00143493-A	00143493-B	00143493-C
<b>MCV-120-84-50</b>	00131226-A	00131226-B	00131226-C
<b>MCV-120-84-56</b>	00136568-A	00136568-B	00136568-C
<b>MCV-120-84-62</b>	00143826-A	00143826-B	00143826-C
<b>MCV-120-84-68</b>	00143827-A	00143827-B	00143827-C
<b>MCV-132-84-50</b>	00133487-A	00133487-B	00133487-C
<b>MCV-132-84-56</b>	00143494-A	00143494-B	00143494-C
<b>MCV-132-84-62</b>	00143828-A	00143828-B	00143828-C
<b>MCV-132-84-68</b>	00143829-A	00143829-B	00143829-C



## MCV HOPPER WELDMENTS

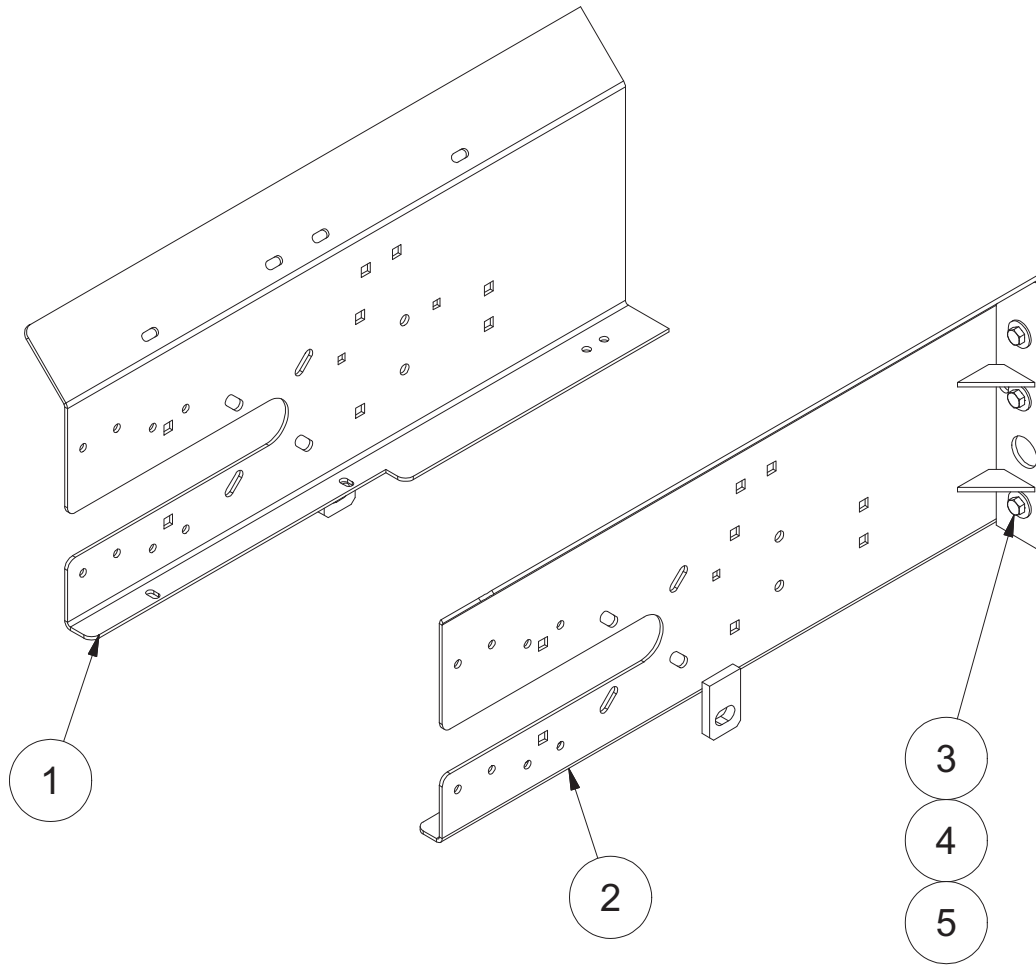
<i>DESCRIPTION</i>	<i>PN# MILD STEEL</i>	<i>PN# 304 STAINLESS STEEL</i>	<i>PN# AUSST</i>
<b>MCV-144-84-50</b>	00143495-A	00143495-B	00143495-C
<b>MCV-144-84-56</b>	00137767-A	00137767-B	00137767-C
<b>MCV-144-84-62</b>	00143830-A	00143830-B	00143830-C
<b>MCV-144-84-68</b>	00143831-A	00143831-B	00143831-C
<b>MCV-156-84-50</b>	00138045-A	00138045-B	00138045-C
<b>MCV-156-84-56</b>	00141972-A	00141972-B	00141972-C
<b>MCV-156-84-62</b>	00143832-A	00143832-B	00143832-C
<b>MCV-156-84-68</b>	00143833-A	00143833-B	00143833-C
<b>MCV-168-84-50</b>	00139339-A	00139339-B	00139339-C
<b>MCV-168-84-56</b>	00143496-A	00143496-B	00143496-C
<b>MCV-168-84-62</b>	00143834-A	00143834-B	00143834-C
<b>MCV-168-84-68</b>	00143835-A	00143835-B	00143835-C
<b>MCV-180-84-50</b>	00143497-A	00143497-B	00143497-C
<b>MCV-180-84-56</b>	00143498-A	00143498-B	00143498-C
<b>MCV-180-84-62</b>	00143836-A	00143836-B	00143836-C
<b>MCV-180-84-68</b>	00143837-A	00143837-B	00143837-C
<b>MCV-192-84-50</b>	00143809-A	00143809-B	00143809-C
<b>MCV-192-84-56</b>	00143810-A	00143810-B	00143810-C
<b>MCV-192-84-62</b>	00143838-A	00143838-B	00143838-C
<b>MCV-192-84-68</b>	00143839-A	00143839-B	00143839-C
<b>MCV-204-84-50</b>	00143811-A	00143811-B	00143811-C
<b>MCV-204-84-56</b>	00143812-A	00143812-B	00143812-C
<b>MCV-204-84-62</b>	00143840-A	00143840-B	00143840-C
<b>MCV-204-84-68</b>	00143841-A	00143841-B	00143841-C
<b>MCV-216-84-50</b>	00143813-A	00143813-B	00143813-C
<b>MCV-216-84-56</b>	00143814-A	00143814-B	00143814-C
<b>MCV-216-84-62</b>	00143842-A	00143842-B	00143842-C
<b>MCV-216-84-68</b>	00143843-A	00143843-B	00143843-C

# TAIL KIT



## 00132432 TAIL KIT, LMBR, MCV, CNVR, BOLT-ON

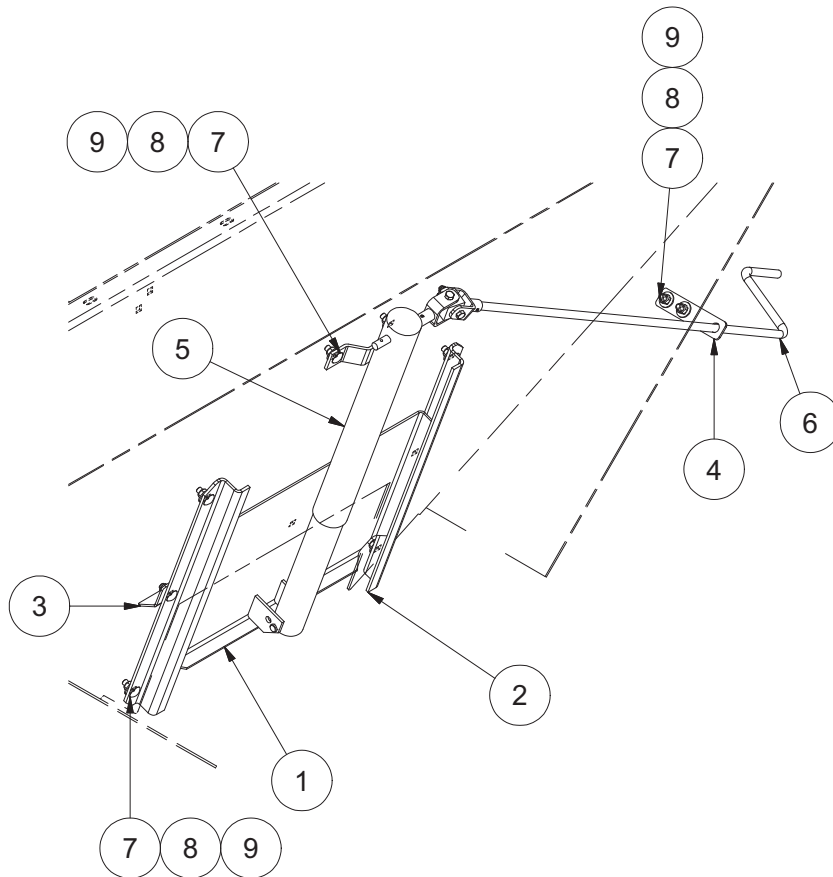
Item	Qty.	Part Number	Description
1	1	00131223-A 00131223-B 00131223-C	TAIL WELDMENT, LMBR, MCV, CONVR, LH, MS TAIL WELDMENT, LMBR, MCV, CONVR, LH, 304 SST TAIL WELDMENT, LMBR, MCV, CONVR, LH, AUSST
2	1	00131224-A 00131224-B 00131224-C	TAIL WELDMENT, LMBR, MCV, CONVR, RH, MS TAIL WELDMENT, LMBR, MCV, CONVR, RH, 304 SST TAIL WELDMENT, LMBR, MCV, CONVR, RH, AUSST
3	6	05010691 05016096	BOLT, .5-13 X 1.50, G8, HHCS, ZINC BOLT, .5-13 X 1.5, HHCS, SST
4	6	05020847 05020908	NUT, .5-13, GC, TOP LOCK, C&W NUT, .5-13, NYLON LOCK, 316 SST
5	12	05021309 05021391	WASHER, .5, FLAT, ZINC WASHER, .5, FLAT, SST



### 00135084 TAIL KIT, LMBR, MCV, COMBO

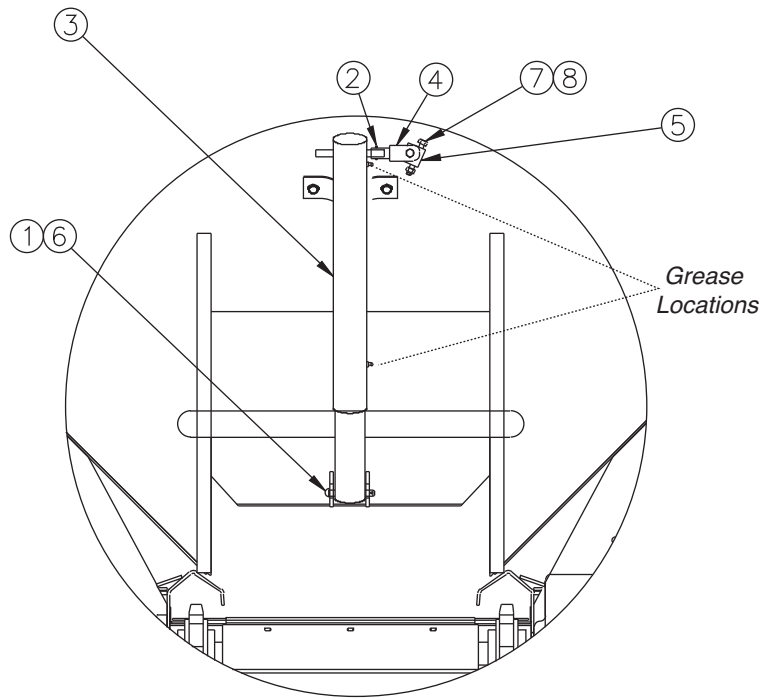
Item	Qty.	Part Number	Description
1	1	00135080-A	TAIL WELDMENT, LMBR, MCV, CNVR, LH, MS
		00135080-B	TAIL WELDMENT, LMBR, MCV, CNVR, LH, 304 SST
		00135080-C	TAIL WELDMENT, LMBR, MCV, CNVR, LH, AUSST
2	1	00135081-A	TAIL WELDMENT, LMBR, MCV, CNVR, RH, MS
		00135081-B	TAIL WELDMENT, LMBR, MCV, CNVR, RH, 304 SST
		00135081-C	TAIL WELDMENT, LMBR, MCV, CNVR, RH, AUSST
3	6	05010691	BOLT, .5-13 X 1.50, G8, HHCS, ZINC
		05016096	BOLT, .5-13 X 1.5, HHCS, SST
4	6	05020847	NUT, .5-13, GC, TOP LOCK, C&W
		05020908	NUT, .5-13, NYLON LOCK, 316 SST
5	12	05021309	WASHER, .5, FLAT, ZINC
		05021391	WASHER, .5, FLAT, SST

# DOOR KIT/FRONT & REAR PANELS



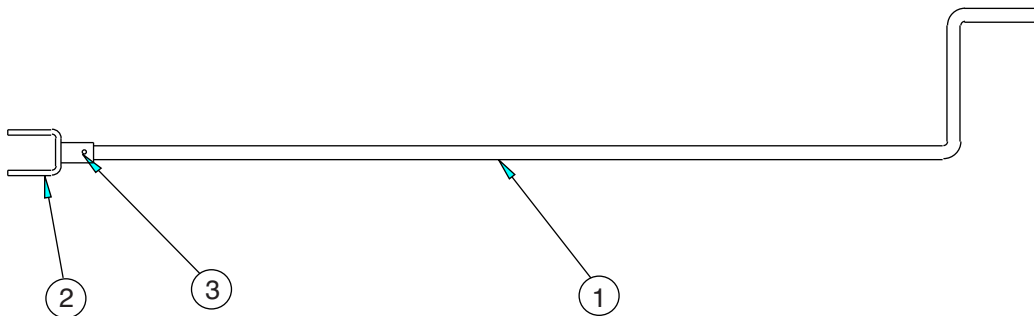
## 00137791 DOOR KIT, MCV, CNVR

ITEM	QTY	PART NUMBER	DESCRIPTION
1	1	00135099-A	DOOR WLDMT,REAR,MCV,MS,10GA
1	1	00135099-B	DOOR WLDMT,REAR,MCV,304,10GA
1	1	00135099-C	DOOR WLDMT,REAR,MCV,AUSST,10GA
2	2	00133631-A	FRAME RAIL,DOOR,MCV,MS,.188
2	2	00133631-B	FRAME RAIL,DOOR,MCV,304,7GA
2	2	00133631-C	FRAME RAIL,DOOR,MCV,AUSST,7GA
3	1	00141962-A	STIFFENER,RR PNL,MCV,DOOR,MS
3	1	00141962-B	STIFFENER,RR PNL,MCV,DOOR,304
3	1	00141962-C	STIFFENER,RR PNL,MCV,DOOR,AUSS
4	1	00136523-A	GUIDE,JACK CRANK,MCV,MS
4	1	00136523-B	GUIDE,JACK CRANK,MCV,304
4	1	00136523-C	GUIDE,JACK CRANK,MCV,AUSST
5	1	00012233	JACK ASSY,DOOR,NEW STYLE UNIV <i>See Page 19</i>
6	1	00052283	CRANK ASSY,JACK 39 MS <i>See Page 19</i>
6	1	00052285	CRANK ASSY,JACK 39 304SST <i>See Page 19</i>
7	10	05013986	BOLT .375-16 x 1.00 G5 CRG ZC
7	10	05016003	BOLT .375-16 x 1.00 CRG SST
8	10	05020898	NUT .375-16 GC TOPLOCK C&W
8	10	05020891	NUT .375-16 NYLON LOCK 316 SST
9	10	05021307	WASHER .375 FLAT ZC
9	10	05021390	WASHER .375 FLAT SST



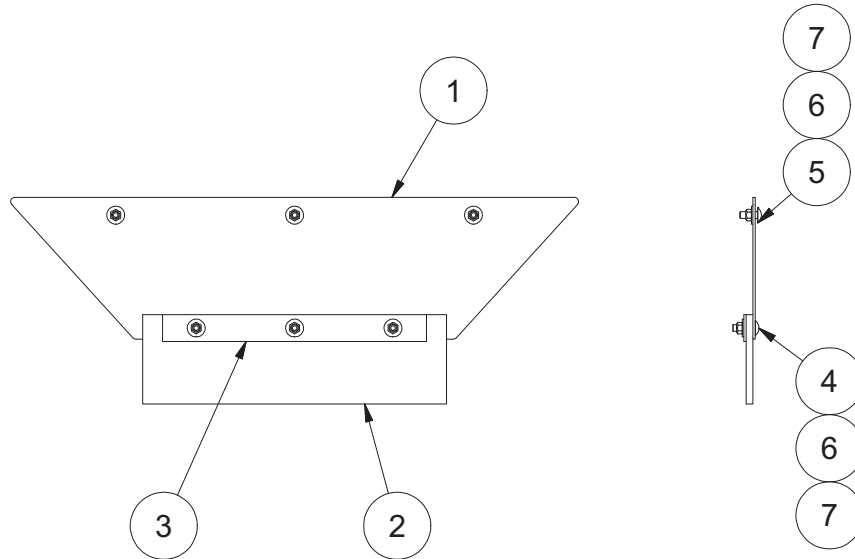
**00012233 JACK ASSEMBLY, DOOR**

Item	Qty	Part Number	Description
1	1	05022134	PIN, 3/8" DIA. X 3" OAL, CLEVIS, ZINC
2	1	05022072	PIN, 5/32" X 7/8" ROLL, ZINC
3	1	00083703	JACK, DOOR
4	1	05050258	CLEVIS, DOOR JACK
5	1	05051455	UNIVERSAL JOINT, UHMW, 1 1/4" SQUARE
6	1	05022021	PIN, 1/8" X 1", COTTER
7	2	05016143	BOLT, 5/16-18 X 2 1/4", G8, HHCS, SST
8	2	05020907	NUT, 5/16-18, NYLON LOCK, 316 SS



**00052283 CRANK ASSEMBLY, JACK 39, MS**  
**00052285 CRANK ASSEMBLY, JACK, 39, SST**

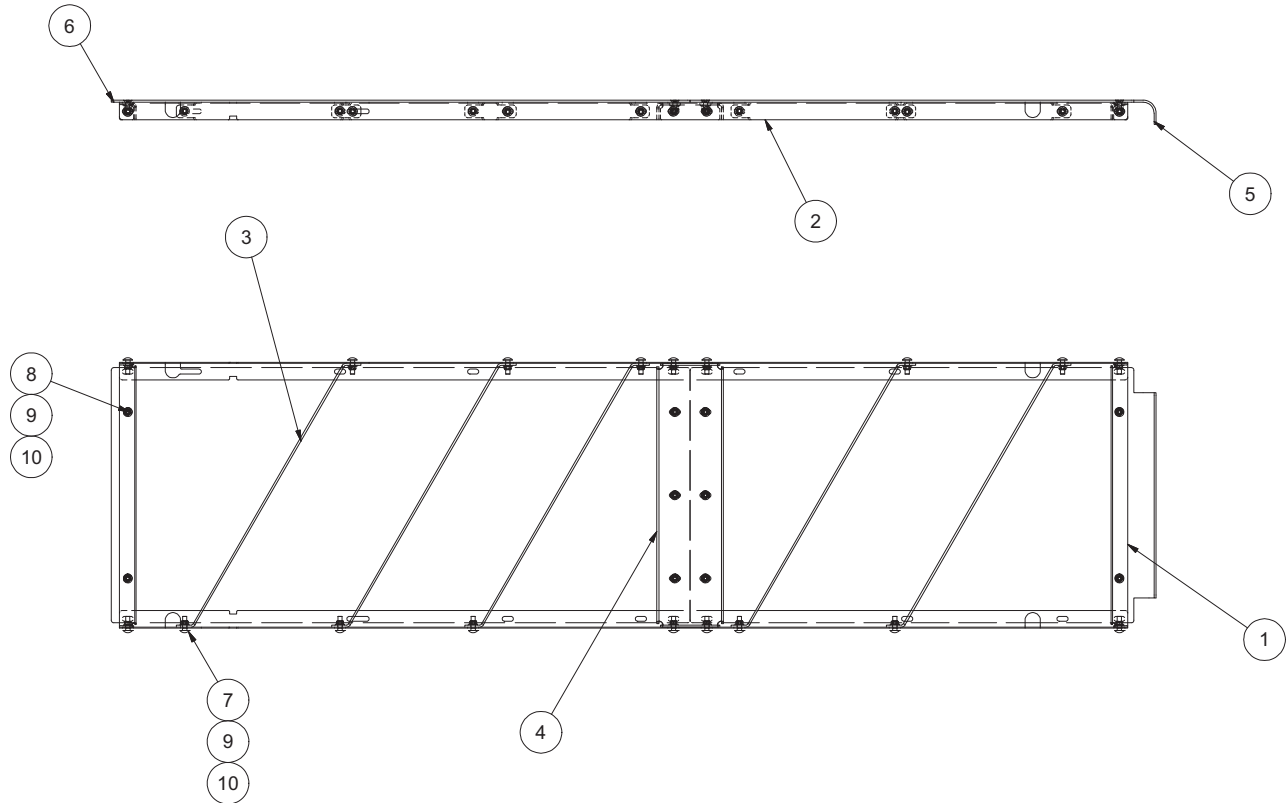
Item	Qty.	Part Number	Description
1	1	00052290 00052292	CRANK, JACK 39, MS CRANK, JACK, 39, SST
2	1	05050258	CLEVIS DOOR JACK
3	1	05022072	PIN, .156 X .875, ROLL, ZINC



### 00137793 PANEL KIT, MCV, FR, LOWER, 10

Item	Qty.	Part Number	Description
1	1	00133632-A 00133632-B 00133632-C	FRONT PANEL, MCV, BOT, MS, 10GA FRONT PANEL, MCV, BOT, 304, 10GA FRONT PANEL, MCV, BOT, AUSST, 10GA
2	1	05050056	WIPER, .313" X 5 X 17"
3	1	00053253-A 00053253-B 00053253-F	SUPPORT, WIPER, SPINNER, MS SUPPORT, WIPER, SPINNER, 304 SUPPORT, WIPER, SPINNER, AUSST
4	3	05013987 05016746	BOLT, .375-16 X 1.25, G5, CARRIAGE, ZINC BOLT, .375-16 X 1.25, CARRIAGE, SST
5	3	05013986 05016003	BOLT, .375-16 X 1, G5, CARRIAGE, ZINC BOLT, .375-16 X 1, CARRIAGE, SST
6	6	05020898 05020891	NUT, .375-16, GC, TOP LOCK, C&W NUT, .375-16, NYLON LOCK, 316 SST
7	6	05021307 05021390	WASHER, .375, FLAT, ZINC WASHER, .375, FLAT, SST

# FLOOR KITS



## 00142522 FLOOR KIT, MCV, 8', .188

ITEM	QTY	PART NUMBER	DESCRIPTION
1	2	00135072-A	BRACE,FLOOR,MCV,END,MS,10GA
1	2	00135072-B	BRACE,FLOOR,MCV,END,304,10GA
1	2	00135072-C	BRACE,FLOOR,MCV,END,AUSST,10GA
2	2	00142500-A	FILLER ANGLE,FLOOR,MCV,8',MS
2	2	00142500-B	FILLER ANGLE,FLOOR,MCV,8',304
3	5	00135073-A	BRACE,FLOOR,MCV,MS,.188
3	5	00135073-B	BRACE,FLOOR,MCV,304,.188
3	5	00135073-C	BRACE,FLOOR,MCV,AUSST,.188
4	1	00135071-A	FLOOR CHANNEL,MCV,MS,.188
4	1	00135071-B	FLOOR CHANNEL,MCV,304,7GA
4	1	00135071-C	FLOOR CHANNEL,MCV,AUSST,7GA
5	1	00135069-A	FLOOR,MCV,FR,8'-15',MS,.188
5	1	00135069-B	FLOOR,MCV,FR,8'-15',304,7GA
5	1	00135069-C	FLOOR,MCV,FR,8'-15',AUSST,7GA
6	1	00142510-A	FLOOR,MCV,RR,8',MS,.188
6	1	00142510-B	FLOOR,MCV,RR,8',304,7GA
6	1	00142510-C	FLOOR,MCV,RR,8',AUSST,7GA
7	18	05013987	BOLT .375-16 x 1.25 G5 CRG ZC
7	18	05016746	BOLT .375-16 x 1.25 CRG SST
8	10	05014677	BOLT .375-16 x 1.25 FSHCS ZC
8	10	05016033	BOLT .375-16 x 1.25 FSHCS SST
9	28	05020898	NUT .375-16 GC TOPLOCK C&W
9	28	05020891	NUT .375-16 NYLON LOCK 316 SST
10	28	05021013	WASHER .375 FLAT MIL-CARB SAE
10	28	05021390	WASHER .375 FLAT SST

**00142523 FLOOR KIT, MCV, 9', .188**

ITEM	QTY	PART NUMBER	DESCRIPTION
1	2	00135072-A	BRACE,FLOOR,MCV,END,MS,10GA
1	2	00135072-B	BRACE,FLOOR,MCV,END,304,10GA
1	2	00135072-B	BRACE,FLOOR,MCV,END,AUSST,10GA
2	2	00142501-A	FILLER ANGLE,FLOOR,MCV,9',MS
2	2	00142501-B	FILLER ANGLE,FLOOR,MCV,9',304
3	6	00135073-A	BRACE,FLOOR,MCV,MS,.188
3	6	00135073-B	BRACE,FLOOR,MCV,304,.188
3	6	00135073-C	BRACE,FLOOR,MCV,AUSST,.188
4	1	00135071-A	FLOOR CHANNEL,MCV,MS,.188
4	1	00135071-B	FLOOR CHANNEL,MCV,304,7GA
4	1	00135071-C	FLOOR CHANNEL,MCV,AUSST,7GA
5	1	00135069-A	FLOOR,MCV,FR,8'-15',MS,.188
5	1	00135069-B	FLOOR,MCV,FR,8'-15',304,7GA
5	1	00135069-C	FLOOR,MCV,FR,8'-15',AUSST,7GA
6	1	00142511-A	FLOOR,MCV,RR,9',MS,.188
6	1	00142511-B	FLOOR,MCV,RR,9',304,7GA
6	1	00142511-C	FLOOR,MCV,RR,9',AUSST,7GA
7	20	05013987	BOLT .375-16 x 1.25 G5 CRG ZC
7	20	05016746	BOLT .375-16 x 1.25 CRG SST
8	10	05014677	BOLT .375-16 x 1.25 FSHCS ZC
8	10	05016033	BOLT .375-16 x 1.25 FSHCS SST
9	30	05020898	NUT .375-16 GC TOPLOCK C&W
9	30	05020891	NUT .375-16 NYLON LOCK 316 SST
10	30	05021013	WASHER .375 FLAT MIL-CARB SAE
10	30	05021390	WASHER .375 FLAT SST

**00135075 FLOOR KIT, MCV, 10', .188**

ITEM	QTY	PART NUMBER	DESCRIPTION
1	2	00135072-A	BRACE,FLOOR,MCV,END,MS,10GA
1	2	00135072-B	BRACE,FLOOR,MCV,END,304,10GA
1	2	00135072-B	BRACE,FLOOR,MCV,END,AUSST,10GA
2	2	00135074-A	FILLER ANGLE,FLOOR,MCV,10',MS
2	2	00135074-B	FILLER ANGLE,FLOOR,MCV,10',304
3	7	00135073-A	BRACE,FLOOR,MCV,MS,.188
3	7	00135073-B	BRACE,FLOOR,MCV,304,.188
3	7	00135073-C	BRACE,FLOOR,MCV,AUSST,.188
4	1	00135071-A	FLOOR CHANNEL,MCV,MS,.188
4	1	00135071-B	FLOOR CHANNEL,MCV,304,7GA
4	1	00135071-C	FLOOR CHANNEL,MCV,AUSST,7GA
5	1	00135069-A	FLOOR,MCV,FR,8'-15',MS,.188
5	1	00135069-B	FLOOR,MCV,FR,8'-15',304,7GA
5	1	00135069-C	FLOOR,MCV,FR,8'-15',AUSST,7GA
6	1	00135070-A	FLOOR,MCV,RR,10',MS,.188
6	1	00135070-B	FLOOR,MCV,RR,10',304,7GA
6	1	00135070-C	FLOOR,MCV,RR,10',AUSST,7GA
7	22	05013987	BOLT .375-16 x 1.25 G5 CRG ZC
7	22	05016746	BOLT .375-16 x 1.25 CRG SST
8	10	05014677	BOLT .375-16 x 1.25 FSHCS ZC
8	10	05016033	BOLT .375-16 x 1.25 FSHCS SST
9	32	05020898	NUT .375-16 GC TOPLOCK C&W
9	32	05020891	NUT .375-16 NYLON LOCK 316 SST
10	32	05021013	WASHER .375 FLAT MIL-CARB SAE
10	32	05021390	WASHER .375 FLAT SST



**00142524 FLOOR KIT, MCV, 11', .188**

ITEM	QTY	PART NUMBER	DESCRIPTION
1	2	00135072-A	BRACE,FLOOR,MCV,END,MS,10GA
1	2	00135072-B	BRACE,FLOOR,MCV,END,304,10GA
1	2	00135072-B	BRACE,FLOOR,MCV,END,AUSST,10GA
2	2	00142502-A	FILLER ANGLE,FLOOR,MCV,11',MS
2	2	00142502-B	FILLER ANGLE,FLOOR,MCV,11',304
3	8	00135073-A	BRACE,FLOOR,MCV,MS,.188
3	8	00135073-B	BRACE,FLOOR,MCV,304,.188
3	8	00135073-C	BRACE,FLOOR,MCV,AUSST,.188
4	1	00135071-A	FLOOR CHANNEL,MCV,MS,.188
4	1	00135071-B	FLOOR CHANNEL,MCV,304,7GA
4	1	00135071-C	FLOOR CHANNEL,MCV,AUSST,7GA
5	1	00135069-A	FLOOR,MCV,FR,8'-15',MS,.188
5	1	00135069-B	FLOOR,MCV,FR,8'-15',304,7GA
5	1	00135069-C	FLOOR,MCV,FR,8'-15',AUSST,7GA
6	1	00142512-A	FLOOR,MCV,RR,11',MS,.188
6	1	00142512-B	FLOOR,MCV,RR,11',304,7GA
6	1	00142512-C	FLOOR,MCV,RR,11',AUSST,7GA
7	24	05013987	BOLT .375-16 x 1.25 G5 CRG ZC
7	24	05016746	BOLT .375-16 x 1.25 CRG SST
8	10	05014677	BOLT .375-16 x 1.25 FSHCS ZC
8	10	05016033	BOLT .375-16 x 1.25 FSHCS SST
9	34	05020898	NUT .375-16 GC TOPLOCK C&W
9	34	05020891	NUT .375-16 NYLON LOCK 316 SST
10	34	05021013	WASHER .375 FLAT MIL-CARB SAE
10	34	05021390	WASHER .375 FLAT SST

**00142525 FLOOR KIT, MCV, 12', .188**

ITEM	QTY	PART NUMBER	DESCRIPTION
1	2	00135072-A	BRACE,FLOOR,MCV,END,MS,10GA
1	2	00135072-B	BRACE,FLOOR,MCV,END,304,10GA
1	2	00135072-B	BRACE,FLOOR,MCV,END,AUSST,10GA
2	2	00142503-A	FILLER ANGLE,FLOOR,MCV,12',MS
2	2	00142503-B	FILLER ANGLE,FLOOR,MCV,12',304
3	9	00135073-A	BRACE,FLOOR,MCV,MS,.188
3	9	00135073-B	BRACE,FLOOR,MCV,304,.188
3	9	00135073-C	BRACE,FLOOR,MCV,AUSST,.188
4	1	00135071-A	FLOOR CHANNEL,MCV,MS,.188
4	1	00135071-B	FLOOR CHANNEL,MCV,304,7GA
4	1	00135071-C	FLOOR CHANNEL,MCV,AUSST,7GA
5	1	00135069-A	FLOOR,MCV,FR,8'-15',MS,.188
5	1	00135069-B	FLOOR,MCV,FR,8'-15',304,7GA
5	1	00135069-C	FLOOR,MCV,FR,8'-15',AUSST,7GA
6	1	00142513-A	FLOOR,MCV,RR,12',MS,.188
6	1	00142513-B	FLOOR,MCV,RR,12',304,7GA
6	1	00142513-C	FLOOR,MCV,RR,12',AUSST,7GA
7	26	05013987	BOLT .375-16 x 1.25 G5 CRG ZC
7	26	05016746	BOLT .375-16 x 1.25 CRG SST
8	10	05014677	BOLT .375-16 x 1.25 FSHCS ZC
8	10	05016033	BOLT .375-16 x 1.25 FSHCS SST
9	36	05020898	NUT .375-16 GC TOPLOCK C&W
9	36	05020891	NUT .375-16 NYLON LOCK 316 SST
10	36	05021013	WASHER .375 FLAT MIL-CARB SAE
10	36	05021390	WASHER .375 FLAT SST

**00142526 FLOOR KIT, MCV, 13', .188**

ITEM	QTY	PART NUMBER	DESCRIPTION
1	2	00135072-A	BRACE,FLOOR,MCV,END,MS,10GA
1	2	00135072-B	BRACE,FLOOR,MCV,END,304,10GA
1	2	00135072-C	BRACE,FLOOR,MCV,END,AUSST,10GA
2	2	00142504-A	FILLER ANGLE,FLOOR,MCV,13',MS
2	2	00142504-B	FILLER ANGLE,FLOOR,MCV,13',304
3	2	00142521-A	FILLER ANGLE, FLOOR, MCV, FR, MS
3	2	00142521-B	FILLER ANGLE, FLOOR, MCV, FR, 304
4	10	00135073-A	BRACE,FLOOR,MCV,MS,.188
4	10	00135073-B	BRACE,FLOOR,MCV,304,.188
4	10	00135073-C	BRACE,FLOOR,MCV,AUSST,.188
5	1	00135071-A	FLOOR CHANNEL,MCV,MS,.188
5	1	00135071-B	FLOOR CHANNEL,MCV,304,7GA
5	1	00135071-C	FLOOR CHANNEL,MCV,AUSST,7GA
6	1	00135069-A	FLOOR,MCV,FR,8'-15',MS,.188
6	1	00135069-B	FLOOR,MCV,FR,8'-15',304,7GA
6	1	00135069-C	FLOOR,MCV,FR,8'-15',AUSST,7GA
7	1	00142514-A	FLOOR,MCV,RR,13',MS,.188
7	1	00142514-B	FLOOR,MCV,RR,13',304,7GA
7	1	00142514-C	FLOOR,MCV,RR,13',AUSST,7GA
8	28	05013987	BOLT .375-16 x 1.25 G5 CRG ZC
8	28	05016746	BOLT .375-16 x 1.25 CRG SST
9	10	05014677	BOLT .375-16 x 1.25 FSHCS ZC
9	10	05016033	BOLT .375-16 x 1.25 FSHCS SST
10	38	05020898	NUT .375-16 GC TOPLOCK C&W
10	38	05020891	NUT .375-16 NYLON LOCK 316 SST
11	38	05021013	WASHER .375 FLAT MIL-CARB SAE
11	38	05021390	WASHER .375 FLAT SST

**00142527 FLOOR KIT, MCV, 14', .188**

ITEM	QTY	PART NUMBER	DESCRIPTION
1	2	00135072-A	BRACE,FLOOR,MCV,END,MS,10GA
1	2	00135072-B	BRACE,FLOOR,MCV,END,304,10GA
1	2	00135072-C	BRACE,FLOOR,MCV,END,AUSST,10GA
2	2	00142505-A	FILLER ANGLE,FLOOR,MCV,14',MS
2	2	00142505-B	FILLER ANGLE,FLOOR,MCV,14',304
3	2	00142521-A	FILLER ANGLE, FLOOR, MCV, FR, MS
3	2	00142521-B	FILLER ANGLE, FLOOR, MCV, FR, 304
4	11	00135073-A	BRACE,FLOOR,MCV,MS,.188
4	11	00135073-B	BRACE,FLOOR,MCV,304,.188
4	11	00135073-C	BRACE,FLOOR,MCV,AUSST,.188
5	1	00135071-A	FLOOR CHANNEL,MCV,MS,.188
5	1	00135071-B	FLOOR CHANNEL,MCV,304,7GA
5	1	00135071-C	FLOOR CHANNEL,MCV,AUSST,7GA
6	1	00135069-A	FLOOR,MCV,FR,8'-15',MS,.188
6	1	00135069-B	FLOOR,MCV,FR,8'-15',304,7GA
6	1	00135069-C	FLOOR,MCV,FR,8'-15',AUSST,7GA
7	1	00142515-A	FLOOR,MCV,RR,14',MS,.188
7	1	00142515-B	FLOOR,MCV,RR,14',304,7GA
7	1	00142515-C	FLOOR,MCV,RR,14',AUSST,7GA
8	30	05013987	BOLT .375-16 X 1.25, G5, CARRIAGE, ZINC
8	30	05016746	BOLT .375-16 x 1.25 CRG SST
9	10	05014677	BOLT .375-16 x 1.25 FSHCS ZC
9	10	05016033	BOLT .375-16 x 1.25 FSHCS SST
10	40	05020898	NUT .375-16 GC TOPLOCK C&W
10	40	05020891	NUT .375-16 NYLON LOCK 316 SST
11	40	05021013	WASHER .375 FLAT MIL-CARB SAE
11	40	05021390	WASHER .375 FLAT SST

**00142528 FLOOR KIT, MCV, 15', .188**

ITEM	QTY	PART NUMBER	DESCRIPTION
1	2	00135072-A	BRACE,FLOOR,MCV,END,MS,10GA
1	2	00135072-B	BRACE,FLOOR,MCV,END,304,10GA
1	2	00135072-C	BRACE,FLOOR,MCV,END,AUSST,10GA
2	2	00142506-A	FILLER ANGLE,FLOOR,MCV,15',MS
2	2	00142506-B	FILLER ANGLE,FLOOR,MCV,15',304
3	2	00142521-A	FILLER ANGLE, FLOOR, MCV, FR, MS
3	2	00142521-B	FILLER ANGLE, FLOOR, MCV, FR, 304
4	12	00135073-A	BRACE,FLOOR,MCV,MS,.188
4	12	00135073-B	BRACE,FLOOR,MCV,304,.188
4	12	00135073-C	BRACE,FLOOR,MCV,AUSST,.188
5	1	00135071-A	FLOOR CHANNEL,MCV,MS,.188
5	1	00135071-B	FLOOR CHANNEL,MCV,304,7GA
5	1	00135071-C	FLOOR CHANNEL,MCV,AUSST,7GA
6	1	00135069-A	FLOOR,MCV,FR,8'-15',MS,.188
6	1	00135069-B	FLOOR,MCV,FR,8'-15',304,7GA
6	1	00135069-C	FLOOR,MCV,FR,8'-15',AUSST,7GA
7	1	00142516-A	FLOOR,MCV,RR,15',MS,.188
7	1	00142516-B	FLOOR,MCV,RR,15',304,7GA
7	1	00142516-C	FLOOR,MCV,RR,15',AUSST,7GA
8	32	05013987	BOLT, .375-16 X 1.25, G5, CARRIAGE, ZINC
8	30	05016746	BOLT .375-16 x 1.25 CRG SST
9	10	05014677	BOLT .375-16 x 1.25 FSHCS ZC
9	10	05016033	BOLT .375-16 x 1.25 FSHCS SST
10	42	05020898	NUT .375-16 GC TOPLOCK C&W
10	42	05020891	NUT .375-16 NYLON LOCK 316 SST
11	42	05021013	WASHER .375 FLAT MIL-CARB SAE
11	42	05021390	WASHER .375 FLAT SST

**00142529 FLOOR KIT, MCV, 16', .188**

ITEM	QTY	PART NUMBER	DESCRIPTION
1	2	00135072-A	BRACE,FLOOR,MCV,END,MS,10GA
1	2	00135072-B	BRACE,FLOOR,MCV,END,304,10GA
1	2	00135072-C	BRACE,FLOOR,MCV,END,AUSST,10GA
2	2	00142505-A	FILLER ANGLE,FLOOR,MCV,14',MS
2	2	00142505-B	FILLER ANGLE,FLOOR,MCV,14',304
3	2	00142507-A	FILLER ANGLE, FLOOR, MCV, FR, MS
3	2	00142507-B	FILLER ANGLE, FLOOR, MCV, FR, 304
4	13	00135073-A	BRACE,FLOOR,MCV,MS,.188
4	13	00135073-B	BRACE,FLOOR,MCV,304,.188
4	13	00135073-C	BRACE,FLOOR,MCV,AUSST,.188
5	1	00135071-A	FLOOR CHANNEL,MCV,MS,.188
5	1	00135071-B	FLOOR CHANNEL,MCV,304,7GA
5	1	00135071-C	FLOOR CHANNEL,MCV,AUSST,7GA
6	1	00142517-A	FLOOR,MCV,FR,16'-17',MS,.188
6	1	00142517-B	FLOOR,MCV,FR,16'-17',304,7GA
6	1	00142517-C	FLOOR,MCV,FR,16'-17',AUSST,7GA
7	1	00142515-A	FLOOR,MCV,RR,14',MS,.188
7	1	00142515-B	FLOOR,MCV,RR,14',304,7GA
7	1	00142515-C	FLOOR,MCV,RR,14',AUSST,7GA
8	34	05013987	BOLT, .375-16 X 1.25, G5, CARRIAGE, ZINC
8	34	05016746	BOLT .375-16 x 1.25 CRG SST
9	10	05014677	BOLT .375-16 x 1.25 FSHCS ZC
9	10	05016033	BOLT .375-16 x 1.25 FSHCS SST
10	44	05020898	NUT .375-16 GC TOPLOCK C&W
10	44	05020891	NUT .375-16 NYLON LOCK 316 SST
11	44	05021013	WASHER .375 FLAT MIL-CARB SAE
11	44	05021390	WASHER .375 FLAT SST

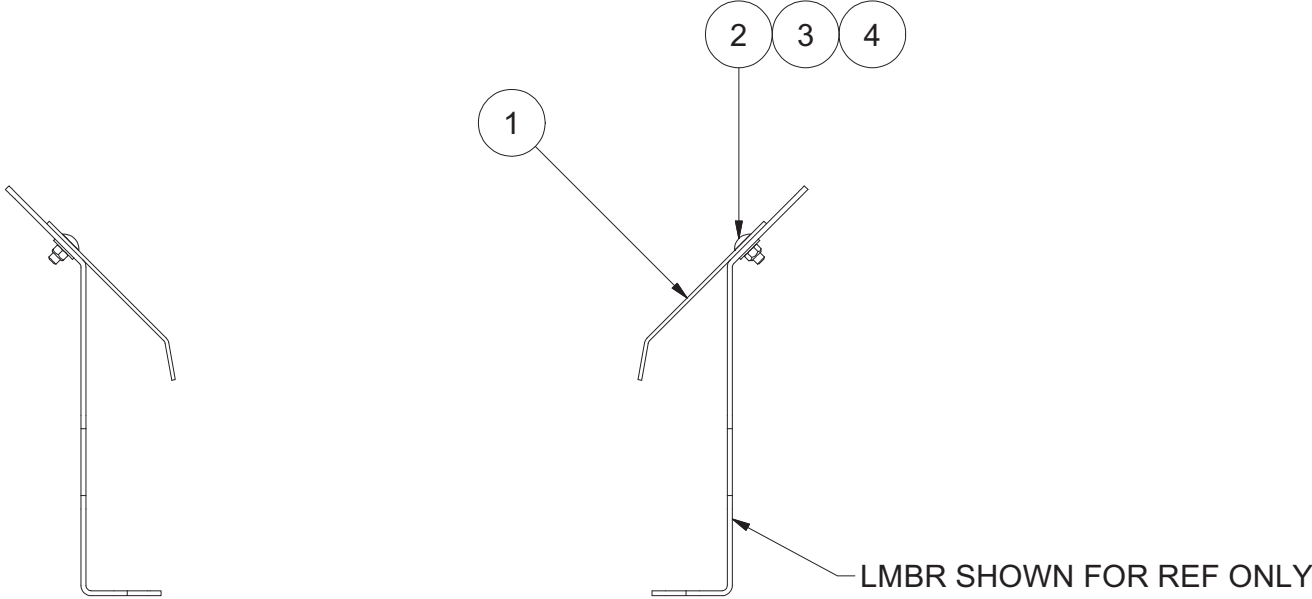
**00142530 FLOOR KIT, MCV, 17', .188**

ITEM	QTY	PART NUMBER	DESCRIPTION
1	2	00135072-A	BRACE,FLOOR,MCV,END,MS,10GA
1	2	00135072-B	BRACE,FLOOR,MCV,END,304,10GA
1	2	00135072-C	BRACE,FLOOR,MCV,END,AUSST,10GA
2	2	00142506-A	FILLER ANGLE,FLOOR,MCV,15',MS
2	2	00142506-B	FILLER ANGLE,FLOOR,MCV,15',304
3	2	00142507-A	FILLER ANGLE, FLOOR, MCV, FR, MS
3	2	00142507-B	FILLER ANGLE, FLOOR, MCV, FR, 304
4	14	00135073-A	BRACE,FLOOR,MCV,MS,.188
4	14	00135073-B	BRACE,FLOOR,MCV,304,.188
4	14	00135073-C	BRACE,FLOOR,MCV,AUSST,.188
5	1	00135071-A	FLOOR CHANNEL,MCV,MS,.188
5	1	00135071-B	FLOOR CHANNEL,MCV,304,7GA
5	1	00135071-C	FLOOR CHANNEL,MCV,AUSST,7GA
6	1	00142517-A	FLOOR,MCV,FR,16'-17',MS,.188
6	1	00142517-B	FLOOR,MCV,FR,16'-17',304,7GA
6	1	00142517-C	FLOOR,MCV,FR,16'-17',AUSST,7GA
7	1	00142516-A	FLOOR,MCV,RR,15',MS,.188
7	1	00142516-B	FLOOR,MCV,RR,15',304,7GA
7	1	00142516-C	FLOOR,MCV,RR,15',AUSST,7GA
8	36	05013987	BOLT, .375-16 X 1.25, G5, CARRIAGE, ZINC
8	36	05016746	BOLT .375-16 x 1.25 CRG SST
9	10	05014677	BOLT .375-16 x 1.25 FSHCS ZC
9	10	05016033	BOLT .375-16 x 1.25 FSHCS SST
10	46	05020898	NUT .375-16 GC TOPLOCK C&W
10	46	05020891	NUT .375-16 NYLON LOCK 316 SST
11	46	05021013	WASHER .375 FLAT MIL-CARB SAE
11	46	05021390	WASHER .375 FLAT SST

**00142531 FLOOR KIT, MCV, 18', .188**

ITEM	QTY	PART NUMBER	DESCRIPTION
1	2	00135072-A	BRACE,FLOOR,MCV,END,MS,10GA
1	2	00135072-B	BRACE,FLOOR,MCV,END,304,10GA
1	2	00135072-C	BRACE,FLOOR,MCV,END,AUSST,10GA
2	2	00142509-A	FILLER ANGLE,FLOOR,MCV,18',MS
2	2	00142509-B	FILLER ANGLE,FLOOR,MCV,18',304
3	2	00142508-A	FILLER ANGLE, FLOOR, MCV, CTR, MS
3	2	00142508-B	FILLER ANGLE, FLOOR, MCV, CTR, 304
4	2	00142521-A	FILLER ANGLE, FLOOR, MCV, FR, MS
4	2	00142521-B	FILLER ANGLE, FLOOR, MCV, FR, 304
5	14	00135073-A	BRACE,FLOOR,MCV,MS,.188
5	14	00135073-B	BRACE,FLOOR,MCV,304,.188
5	14	00135073-C	BRACE,FLOOR,MCV,AUSST,.188
6	2	00135071-A	FLOOR CHANNEL,MCV,MS,.188
6	2	00135071-B	FLOOR CHANNEL,MCV,304,7GA
6	2	00135071-C	FLOOR CHANNEL,MCV,AUSST,7GA
7	1	00135069-A	FLOOR,MCV,FR,8'-15',MS,.188
7	1	00135069-B	FLOOR,MCV,FR,8'-15',304,7GA
7	1	00135069-C	FLOOR,MCV,FR,8'-15',AUSST,7GA
8	1	00142512-A	FLOOR,MCV,RR,88',MS,.188
8	1	00142512-B	FLOOR,MCV,RR,11',304,7GA
8	1	00142512-C	FLOOR,MCV,RR,11',AUSST,7GA
9	1	00142518-A	FLOOR, MCV, CTR, 18', MS
9	1	00142518-B	FLOOR, MCV, CTR, 18', 304
9	1	00142518-C	FLOOR, MCV, CTR, 18', AUSST
10	40	05013987	BOLT, .375-16 X 1.25, G5, CARRIAGE, ZINC
10	40	05016746	BOLT .375-16 x 1.25 CRG SST
11	16	05014677	BOLT .375-16 x 1.25 FSHCS ZC
11	16	05016033	BOLT .375-16 x 1.25 FSHCS SST
12	56	05020898	NUT .375-16 GC TOPLOCK C&W
12	56	05020891	NUT .375-16 NYLON LOCK 316 SST
13	56	05021013	WASHER .375 FLAT MIL-CARB SAE
13	56	05021390	WASHER .375 FLAT SST

# CHAIN COVER KITS



## CHAIN COVER KITS

Item	Qty.	Part Number	Description
1	2	00142359-A\B\C	CHAIN COVER, MCV, 8', 10GA
		00142360-A\B\C	CHAIN COVER, MCV, 9', 10GA
		00133630-A\B\C	CHAIN COVER, MCV, 10', 10GA
		00142361-A\B\C	CHAIN COVER, MCV, 11', 10GA
		00142362-A\B\C	CHAIN COVER, MCV, 12', 10GA
		00142363-A\B\C	CHAIN COVER, MCV, 13', 10GA
		00142364-A\B\C	CHAIN COVER, MCV, 14', 10GA
		00142365-A\B\C	CHAIN COVER, MCV, 15', 10GA
		00142366-A\B\C	CHAIN COVER, MCV, 16', 10GA
		00142367-A\B\C	CHAIN COVER, MCV, 17', 10GA
		00142368-A\B\C	CHAIN COVER, MCV, 18', 10GA
2	See Chart Below	05013986	BOLT, .375-16 X 1, G5, CARRIAGE, ZINC
		05016003	BOLT, .375-16 X 1, CARRIAGE, SST
3	See Chart Below	05020898	NUT, .375-16, GC, TOP LOCK, C&W
		05020891	NUT, .375-16, NYLON LOCK, 316 SST
4	See Chart Below	05021307	WASHER, .375, FLAT, ZINC
		05021390	WASHER, .375, FLAT, SST

WHEN ORDERING ITEM #1 INDICATE WHICH MATERIAL: MILDSTEEL -A; 304 STAINLESS STEEL -B; AUSST -C

### Qty Hardware Needed for Body Length:

8'	9'	10'	11'	12'	13'	14'	15'	16'	17'	18'
18	20	22	24	26	28	30	32	34	36	38

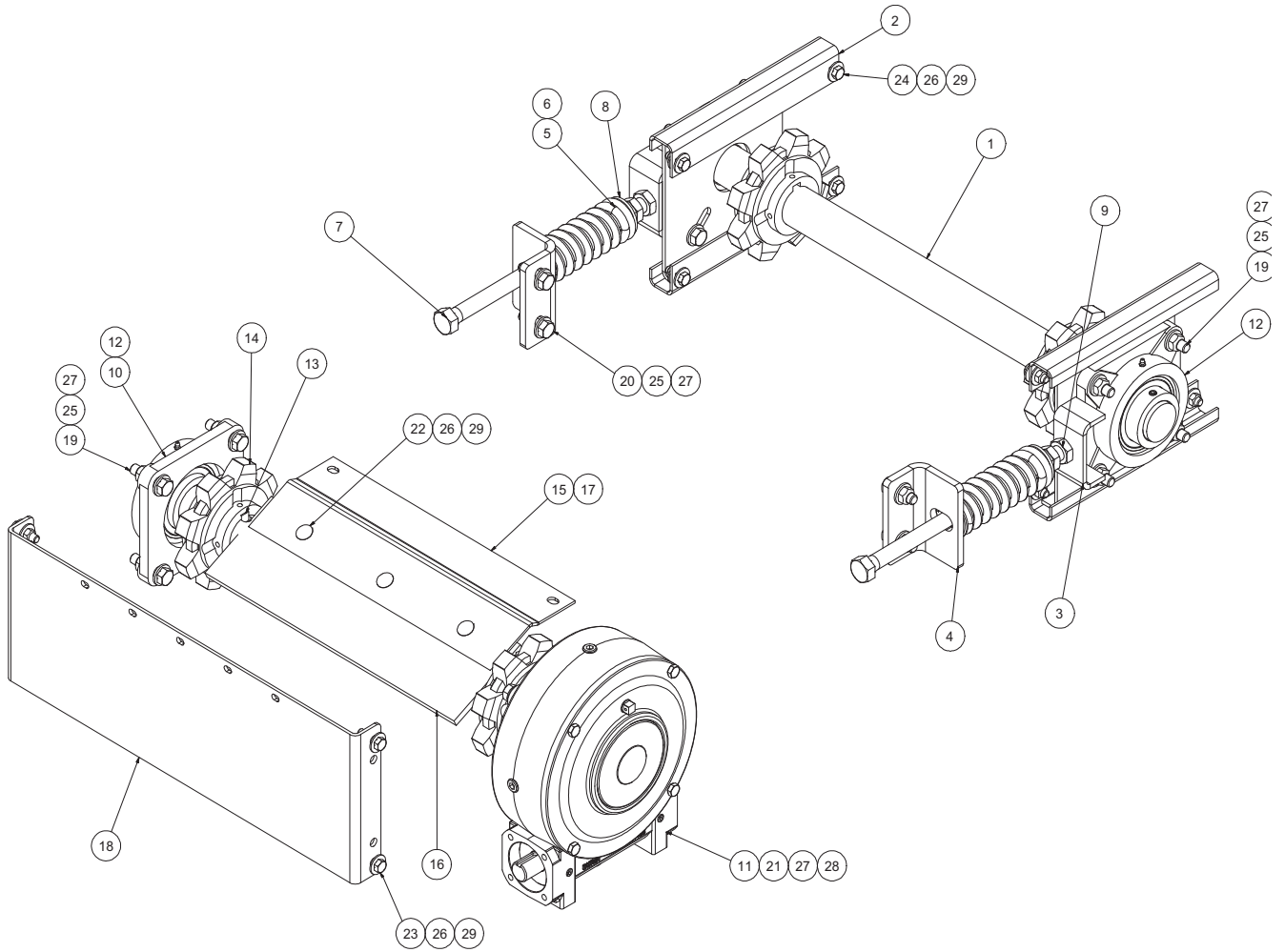
## MCV Chains (.25 X 1.5 BARS)

<i>Body Length</i>	<i>2.25 Bar Spacing</i>	<i>4.5 Bar Spacing</i>
7'		<b>05036443</b> AL667X-89-45-.25
8'	<b>05036259</b> AL667X-100-100-.25	<b>05036020</b> AL667X-99-50-.25
9'	<b>05036380</b> AL667X-109-109-.25	<b>05036251</b> AL667X-109-54-.25
10'	<b>05036400</b> AL667X-120-120-.25	<b>05036252</b> AL667X-120-60-.25
11'	<b>05036364</b> AL667X-131-131-.25	<b>05036253</b> AL667X-131-65-.25
12'	<b>05036274</b> AL667X-141-141-.25	<b>05036254</b> AL667X-142-71-.25
13'	<b>05036366</b> AL667X-152-152-.25	<b>05036255</b> AL667X-152-76-.25
14'	<b>05036401</b> AL667X-162-162-.25	<b>05036256</b> AL667X-162-81-.25
15'	<b>05036385</b> AL667X-173-173-.25	<b>05036257</b> AL667X-173-86-.25
16'	AL667X-184-184-.25	<b>05036258</b> AL667X-184-92-.25
17'	AL667X-195-195-.25	<b>05036261</b> AL667X-195-97-.25
18'		



## MCV Chains & Belt-Over Chain (.375 X 1.5 BARS)

<i>Body Length</i>	<i>2.25 Bar Spacing</i>	<i>4.5 Bar Spacing</i>	<i>4.5 Bar Spacing Hi-Temp BOC</i>	<i>9.0 Bar Spacing Hi-Temp BOC</i>
8'	AL667X-99-99-.375	<b>05036447</b> AL667X-99-49-.375	<b>05036300</b> AL667X-99-49-.375	AL667X-99-24-.375
9'	AL667X-109-109-.375	<b>05036266</b> AL667X-109-54-.375	AL667X-109-54-.375	AL667X-109-27-.375
10'	<b>05036362</b> AL667X-120-120-.375	<b>05036267</b> AL667X-120-60-.375	<b>05036164</b> AL667X-120-60-.375	<b>05036469</b> AL667X-120-30-.375
11'	<b>05036532</b> AL667X-131-131-.375	<b>05036268</b> AL667X-131-65-.375	<b>05036315</b> AL667X-132-66-.375	AL667X-131-32-.375
12'	<b>05036536</b> AL667X-142-142-.375	<b>05036269</b> AL667X-142-71-.375	<b>05036316</b> AL667X-142-71-.375	AL667X-142-35-.375
13'	<b>05036264</b> AL667X-152-152-.375	<b>05036270</b> AL667X-152-76-.375	<b>05036191</b> AL667X-152-76-.375	<b>05036167</b> AL667X-152-38-.375
14'	<b>05036491</b> AL667X-162-162-.375	<b>05036271</b> AL667X-162-81-.375	<b>05036520</b> AL667X-162-81-.375	<b>05036523</b> AL667X-162-40-.375
15'	<b>05036542</b> AL667X-173-173-.375	<b>05036272</b> AL667X-173-86-.375	<b>05036307</b> AL667X-173-86-.375	AL667X-173-43-.375
16'	<b>05036451</b> AL667X-184-184-.375	<b>05036273</b> AL667X-184-92-.375	<b>05036467</b> AL667X-184-92-.375	AL667X-184-46-.375
17'	<b>05036564</b> AL667X-195-195-.375	<b>05036392</b> AL667X-195-97-.375	AL667X-195-97-.375	AL667X-195-38-.375
18'		<b>05036397</b> AL667X-206-103-.375		



**00142594 DRIVE KIT, MCV, 50:1, 2.0 SFT**

ITEM	QTY	PART NUMBER	DESCRIPTION
1	1	05039001	SHAFT,IDLER,2.0x32.0,MV/MSV,ZC
2	4	00136518-A	RAIL,BEARING SLIDE,MCV,304
2	4	00136518-B	RAIL,BEARING SLIDE,MCV,AUSST
3	2	00053172-A	SLIDER PL WLDMT,BEARING ADJ
3	2	00053172-B	SLIDER PL WLDMT,BEARING ADJ
3	2	00053172-E	SLIDER PL WLDMT,BEARING ADJ
4	2	00137792-A	ADJUSTER ANGLE,MCV,BRG,CNVR CH
4	2	00137792-B	ADJUSTER ANGLE,MCV,BRG,CNVR CH
4	2	00137792-C	ADJUSTER ANGLE,MCV,BRG,CNVR CH
5	2	05035071	SPRING,COMP,2.187 ODx6 OAL
6	2	05050212	BUSHING,UHMW .8125 ID x 1.343
7	2	05016043	BOLT .750-10x14.5 W/14.00 THRD
7	2	00035148	ADJ BOLT WLDMT,BEARING,MV/MSV
8	2	05021312	WASHER .750 FLAT ZC
8	2	05021302	WASHER .750 FLAT SST
9	8	05020123	NUT .750-10 G2 JAM ZC
9	8	05020803	NUT .750-10 JAM SS
10	1	05007439	SHAFT,OUTPUT,2.0x32.21,V-BOX
11	1	05007438	GEARBOX,50:1,RH/LH HOLLOWBORE, <i>See Page 162</i>
12	3	05030006	BEARING,2",4B FLANGE,MSV-MV
13	3	05050053	KEY,SQ,.5"x.5"x2.5",MV/MSV
14	4	05033004	SPROCKET,8T,667XH,2"BORE
15	1	00053200-A	COVER,SHAFT,MV/MSV,RR,MS
15	1	00053200-B	COVER,SHAFT,MV/MSV,RR,304
15	1	00053200-E	COVER,SHAFT,MV/MSV,RR,AUSST
16	1	05050056	WIPER,.313"x5"x17",MV/MSV
17	1	00053253-A	SUPPORT,WIPER,SPINNER,MV/MSV
17	1	00053253-B	SUPPORT,WIPER,SPINNER,MV/MSV
17	1	00053253-F	SUPPORT,WIPER,SPINNER,MV/MSV
18	1	00028058-A	ENCLOSURE,REAR,MV/MSV,MS
18	1	00028058-B	ENCLOSURE,REAR,MV/MSV,304
18	1	00028058-E	ENCLOSURE,REAR,MV/MSV,AUSST
19	12	05010693	BOLT .500-13 x 2.00 G8 HHCS ZC
19	12	05016205	BOLT .500-13 x 2.00 HHCS SST
20	4	05010691	BOLT .500-13 x 1.50 G8 HHCS ZC
20	4	05016096	BOLT .500-13 x 1.50 HHCS SST
21	4	05010689	BOLT .500-13 x 1.00 G8 HHCS ZC
21	4	05016047	BOLT .500-13 x 1.00 HHCS SST
22	3	05013987	BOLT .375-16 x 1.25 G5 CRG ZC
22	3	05016746	BOLT .375-16 x 1.25 CRG SST
23	4	05010644	BOLT .375-16 x 1.25 G8 HHCS ZC
23	4	05016049	BOLT .375-16 x 1.25 HHCS SST
24	8	05010643	BOLT .375-16 x 1.00 G8 HHCS ZC
24	8	05016034	BOLT .375-16 x 1.00 HHCS SST
25	16	05020847	NUT .500-13 GC TOPLOCK C&W
25	16	05020908	NUT .500-13 NYLON LOCK 316 SST
26	15	05020898	NUT .375-16 GC TOPLOCK C&W
26	15	05020891	NUT .375-16 NYLON LOCK 316 SST
27	36	05021005	WASHER .500 FLAT MIL-CARB SAE
27	36	05021391	WASHER .500 FLAT SST
28	4	05021367	WASHER .500 LOCK ZC
28	4	05021396	WASHER .500 LOCK SST
29	27	05021307	WASHER .375 FLAT ZC
29	27	05021390	WASHER .375 FLAT SST
30	.25	05051390	RUST PROOFER HEAVY DUTY

**00142596 DRIVE KIT, MCV, 50:1, 1.50 SFT**

ITEM	QTY	PART NUMBER	DESCRIPTION
1	1	05039000	SHAFT,IDLER,1.50x32.000,V-BOX
2	4	00136518-A	RAIL,BEARING SLIDE,MCV,304
2	4	00136518-B	RAIL,BEARING SLIDE,MCV,AUSST
3	2	00053172-A	SLIDER PL WLDMT,BEARING ADJ
3	2	00053172-B	SLIDER PL WLDMT,BEARING ADJ
3	2	00053172-E	SLIDER PL WLDMT,BEARING ADJ
4	2	00137792-A	ADJUSTER ANGLE,MCV,BRG,CNVR CH
4	2	00137792-B	ADJUSTER ANGLE,MCV,BRG,CNVR CH
4	2	00137792-C	ADJUSTER ANGLE,MCV,BRG,CNVR CH
5	2	05035071	SPRING,COMP,2.187 ODx6 OAL
6	2	05050212	BUSHING,UHMW .8125 ID x 1.343
7	2	05016043	BOLT .750-10x14.5 W/14.00 THRD
7	2	00035148	ADJ BOLT WLDMT,BEARING,MV/MSV
8	2	05021312	WASHER .750 FLAT ZC
8	2	05021302	WASHER .750 FLAT SST
9	8	05020123	NUT .750-10 G2 JAM ZC
9	8	05020803	NUT .750-10 JAM SS
10	1	05007428	SHAFT,OUTPUT,1.50X32.875,.375
11	1	05007438	GEARBOX,50:1,RH/LH HOLLOWBORE, <i>See Page 162</i>
12	3	05030007	BEARING,1.5",4B FLANGE
13	3	05050052	KEY,SQ,.375"x.375"x2.5",MV/MSV
14	4	05033003	SPROCKET,8T,667X,1.5" BORE
15	1	00053200-A	COVER,SHAFT,MV/MSV,RR,MS
15	1	00053200-B	COVER,SHAFT,MV/MSV,RR,304
15	1	00053200-E	COVER,SHAFT,MV/MSV,RR,AUSST
16	1	05050056	WIPER,.313"x5"x17",MV/MSV
17	1	00053253-A	SUPPORT,WIPER,SPINNER,MV/MSV
17	1	00053253-B	SUPPORT,WIPER,SPINNER,MV/MSV
17	1	00053253-F	SUPPORT,WIPER,SPINNER,MV/MSV
18	1	00028058-A	ENCLOSURE,REAR,MV/MSV,MS
18	1	00028058-B	ENCLOSURE,REAR,MV/MSV,304
18	1	00028058-E	ENCLOSURE,REAR,MV/MSV,AUSST
19	12	05010693	BOLT .500-13 x 2.00 G8 HHCS ZC
19	12	05016205	BOLT .500-13 x 2.00 HHCS SST
20	4	05010691	BOLT .500-13 x 1.50 G8 HHCS ZC
20	4	05016096	BOLT .500-13 x 1.50 HHCS SST
21	4	05010689	BOLT .500-13 x 1.00 G8 HHCS ZC
21	4	05016047	BOLT .500-13 x 1.00 HHCS SST
22	3	05013987	BOLT .375-16 x 1.25 G5 CRG ZC
22	3	05016746	BOLT .375-16 x 1.25 CRG SST
23	4	05010644	BOLT .375-16 x 1.25 G8 HHCS ZC
23	4	05016049	BOLT .375-16 x 1.25 HHCS SST
24	8	05010643	BOLT .375-16 x 1.00 G8 HHCS ZC
24	8	05016034	BOLT .375-16 x 1.00 HHCS SST
25	16	05020847	NUT .500-13 GC TOPLOCK C&W
25	16	05020908	NUT .500-13 NYLON LOCK 316 SST
26	15	05020898	NUT .375-16 GC TOPLOCK C&W
26	15	05020891	NUT .375-16 NYLON LOCK 316 SST
27	36	05021005	WASHER .500 FLAT MIL-CARB SAE
27	36	05021391	WASHER .500 FLAT SST
28	4	05021367	WASHER .500 LOCK ZC
28	4	05021396	WASHER .500 LOCK SST
29	27	05021307	WASHER .375 FLAT ZC
29	27	05021390	WASHER .375 FLAT SST
30	.25	05051390	RUST PROOFER HEAVY DUTY

## 00142595 DRIVE KIT, MCV, 25:1, 2.0 SFT

ITEM	QTY	PART NUMBER	DESCRIPTION
1	1	05039001	SHAFT, IDLER, 2.0x32.0, MV/MSV, ZC
2	4	00136518-A	RAIL, BEARING SLIDE, MCV, 304
2	4	00136518-B	RAIL, BEARING SLIDE, MCV, AUSST
3	2	00053172-A	SLIDER PL WLDMT, BEARING ADJ
3	2	00053172-B	SLIDER PL WLDMT, BEARING ADJ
3	2	00053172-E	SLIDER PL WLDMT, BEARING ADJ
4	2	00137792-A	ADJUSTER ANGLE, MCV, BRG, CNVR CH
4	2	00137792-B	ADJUSTER ANGLE, MCV, BRG, CNVR CH
4	2	00137792-C	ADJUSTER ANGLE, MCV, BRG, CNVR CH
5	2	05035071	SPRING, COMP, 2.187 ODx6 OAL
6	2	05050212	BUSHING, UHMW .8125 ID x 1.343
7	2	05016043	BOLT .750-10x14.5 W/14.00 THRD
7	2	00035148	ADJ BOLT WLDMT, BEARING, MV/MSV
8	2	05021312	WASHER .750 FLAT ZC
8	2	05021302	WASHER .750 FLAT SST
9	8	05020123	NUT .750-10 G2 JAM ZC
9	8	05020803	NUT .750-10 JAM SS
10	1	05007439	SHAFT, OUTPUT, 2.0x32.21, V-BOX
11	1	05007427	GEARBOX, 25:1, RH/LH HOLLOWBORE, <i>See Page 160</i>
12	3	05030006	BEARING, 2", 4B FLANGE, MSV-MV
13	3	05050053	KEY, SQ, .5"x.5"x2.5", MV/MSV
14	4	05033004	SPROCKET, 8T, 667XH, 2"BORE
15	1	00053200-A	COVER, SHAFT, MV/MSV, RR, MS
15	1	00053200-B	COVER, SHAFT, MV/MSV, RR, 304
15	1	00053200-E	COVER, SHAFT, MV/MSV, RR, AUSST
16	1	05050056	WIPER, .313"x5"x17", MV/MSV
17	1	00053253-A	SUPPORT, WIPER, SPINNER, MV/MSV
17	1	00053253-B	SUPPORT, WIPER, SPINNER, MV/MSV
17	1	00053253-F	SUPPORT, WIPER, SPINNER, MV/MSV
18	1	00028058-A	ENCLOSURE, REAR, MV/MSV, MS
18	1	00028058-B	ENCLOSURE, REAR, MV/MSV, 304
18	1	00028058-E	ENCLOSURE, REAR, MV/MSV, AUSST
19	12	05010693	BOLT .500-13 x 2.00 G8 HHCS ZC
19	12	05016205	BOLT .500-13 x 2.00 HHCS SST
20	4	05010691	BOLT .500-13 x 1.50 G8 HHCS ZC
20	4	05016096	BOLT .500-13 x 1.50 HHCS SST
21	4	05010689	BOLT .500-13 x 1.00 G8 HHCS ZC
21	4	05016047	BOLT .500-13 x 1.00 HHCS SST
22	3	05013987	BOLT .375-16 x 1.25 G5 CRG ZC
22	3	05016746	BOLT .375-16 x 1.25 CRG SST
23	4	05010644	BOLT .375-16 x 1.25 G8 HHCS ZC
23	4	05016049	BOLT .375-16 x 1.25 HHCS SST
24	8	05010643	BOLT .375-16 x 1.00 G8 HHCS ZC
24	8	05016034	BOLT .375-16 x 1.00 HHCS SST
25	16	05020847	NUT .500-13 GC TOPLOCK C&W
25	16	05020908	NUT .500-13 NYLON LOCK 316 SST
26	15	05020898	NUT .375-16 GC TOPLOCK C&W
26	15	05020891	NUT .375-16 NYLON LOCK 316 SST
27	36	05021005	WASHER .500 FLAT MIL-CARB SAE
27	36	05021391	WASHER .500 FLAT SST
28	4	05021367	WASHER .500 LOCK ZC
28	4	05021396	WASHER .500 LOCK SST
29	27	05021307	WASHER .375 FLAT ZC
29	27	05021390	WASHER .375 FLAT SST
30	.25	05051390	RUST PROOFER HEAVY DUTY

**00142597 DRIVE KIT, MCV, 25:1, 1.50 SFT**

ITEM	QTY	PART NUMBER	DESCRIPTION
1	1	05039000	SHAFT,IDLER,1.50x32.000,V-BOX
2	4	00136518-A	RAIL,BEARING SLIDE,MCV,304
2	4	00136518-B	RAIL,BEARING SLIDE,MCV,AUSST
3	2	00053172-A	SLIDER PL WLDMT,BEARING ADJ
3	2	00053172-B	SLIDER PL WLDMT,BEARING ADJ
3	2	00053172-E	SLIDER PL WLDMT,BEARING ADJ
4	2	00137792-A	ADJUSTER ANGLE,MCV,BRG,CNVR CH
4	2	00137792-B	ADJUSTER ANGLE,MCV,BRG,CNVR CH
4	2	00137792-C	ADJUSTER ANGLE,MCV,BRG,CNVR CH
5	2	05035071	SPRING,COMP,2.187 ODx6 OAL
6	2	05050212	BUSHING,UHMW .8125 ID x 1.343
7	2	05016043	BOLT .750-10x14.5 W/14.00 THRD
7	2	00035148	ADJ BOLT WLDMT,BEARING,MV/MSV
8	2	05021312	WASHER .750 FLAT ZC
8	2	05021302	WASHER .750 FLAT SST
9	8	05020123	NUT .750-10 G2 JAM ZC
9	8	05020803	NUT .750-10 JAM SS
10	1	05007428	SHAFT,OUTPUT,1.50X32.875,.375
11	1	05007427	GEARBOX,25:1,RH/LH HOLLOWBORE, <i>See Page 160</i>
12	3	05030007	BEARING,1.5",4B FLANGE
13	3	05050052	KEY,SQ,.375"x.375"x2.5",MV/MSV
14	4	05033003	SPROCKET,8T,667X,1.5" BORE
15	1	00053200-A	COVER,SHAFT,MV/MSV,RR,MS
15	1	00053200-B	COVER,SHAFT,MV/MSV,RR,304
15	1	00053200-E	COVER,SHAFT,MV/MSV,RR,AUSST
16	1	05050056	WIPER,.313"x5"x17",MV/MSV
17	1	00053253-A	SUPPORT,WIPER,SPINNER,MV/MSV
17	1	00053253-B	SUPPORT,WIPER,SPINNER,MV/MSV
17	1	00053253-F	SUPPORT,WIPER,SPINNER,MV/MSV
18	1	00028058-A	ENCLOSURE,REAR,MV/MSV,MS
18	1	00028058-B	ENCLOSURE,REAR,MV/MSV,304
18	1	00028058-E	ENCLOSURE,REAR,MV/MSV,AUSST
19	12	05010693	BOLT .500-13 x 2.00 G8 HHCS ZC
19	12	05016205	BOLT .500-13 x 2.00 HHCS SST
20	4	05010691	BOLT .500-13 x 1.50 G8 HHCS ZC
20	4	05016096	BOLT .500-13 x 1.50 HHCS SST
21	4	05010689	BOLT .500-13 x 1.00 G8 HHCS ZC
21	4	05016047	BOLT .500-13 x 1.00 HHCS SST
22	3	05013987	BOLT .375-16 x 1.25 G5 CRG ZC
22	3	05016746	BOLT .375-16 x 1.25 CRG SST
23	4	05010644	BOLT .375-16 x 1.25 G8 HHCS ZC
23	4	05016049	BOLT .375-16 x 1.25 HHCS SST
24	8	05010643	BOLT .375-16 x 1.00 G8 HHCS ZC
24	8	05016034	BOLT .375-16 x 1.00 HHCS SST
25	16	05020847	NUT .500-13 GC TOPLOCK C&W
25	16	05020908	NUT .500-13 NYLON LOCK 316 SST
26	15	05020898	NUT .375-16 GC TOPLOCK C&W
26	15	05020891	NUT .375-16 NYLON LOCK 316 SST
27	36	05021005	WASHER .500 FLAT MIL-CARB SAE
27	36	05021391	WASHER .500 FLAT SST
28	4	05021367	WASHER .500 LOCK ZC
28	4	05021396	WASHER .500 LOCK SST
29	27	05021307	WASHER .375 FLAT ZC
29	27	05021390	WASHER .375 FLAT SST
30	.25	05051390	RUST PROOFER HEAVY DUTY

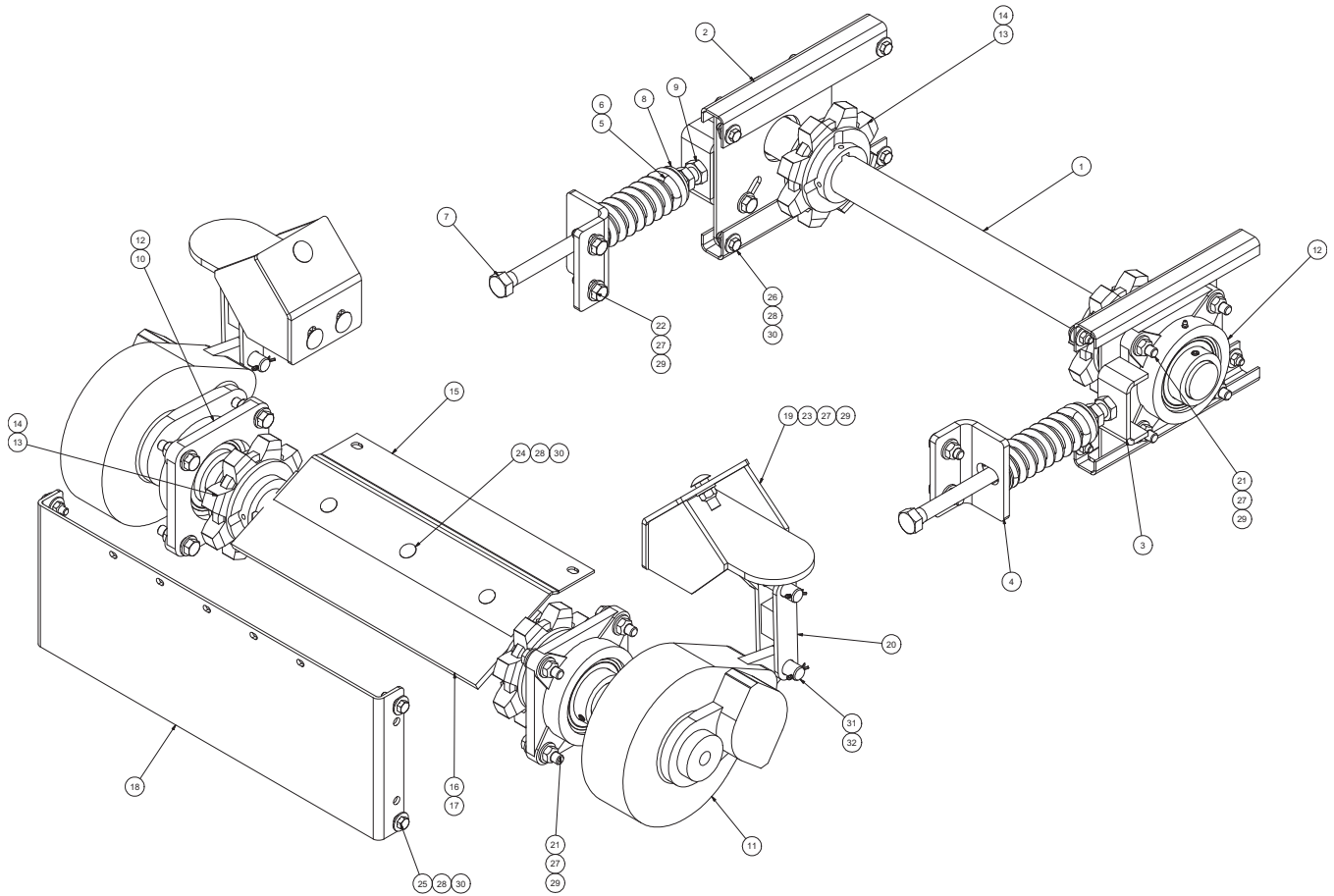
**00142598 DRIVE KIT, MCV, 6:1, 2.0 SFT**

ITEM	QTY	PART NUMBER	DESCRIPTION
1	1	05039001	SHAFT,IDLER,2.0x32.0,MV/MSV,ZC
2	4	00136518-A	RAIL,BEARING SLIDE,MCV,304
2	4	00136518-B	RAIL,BEARING SLIDE,MCV,AUSST
3	2	00053172-A	SLIDER PL WLDMT,BEARING ADJ
3	2	00053172-B	SLIDER PL WLDMT,BEARING ADJ
3	2	00053172-E	SLIDER PL WLDMT,BEARING ADJ
4	2	00137792-A	ADJUSTER ANGLE,MCV,BRG,CNVR CH
4	2	00137792-B	ADJUSTER ANGLE,MCV,BRG,CNVR CH
4	2	00137792-C	ADJUSTER ANGLE,MCV,BRG,CNVR CH
5	2	05035071	SPRING,COMP,2.187 ODx6 OAL
6	2	05050212	BUSHING,UHMW .8125 ID x 1.343
7	2	05016043	BOLT .750-10x14.5 W/14.00 THRD
7	2	00035148	ADJ BOLT WLDMT,BEARING,MV/MSV
8	2	05021312	WASHER .750 FLAT ZC
8	2	05021302	WASHER .750 FLAT SST
9	8	05020123	NUT .750-10 G2 JAM ZC
9	8	05020803	NUT .750-10 JAM SS
10	1	00022872	SHAFT,OUTPUT,2.0x34.50,MV/MSV
11	1	05051148	GEARBOX,6:1,2"SFT DIA,3.56"L <i>See Page 164</i>
12	4	05030006	BEARING,2",4B FLANGE,MSV-MV
13	3	05050053	KEY,SQ,.5"x.5"x2.5",MV/MSV
14	4	05033004	SPROCKET,8T,667XH,2"BORE
15	1	00053200-A	COVER,SHAFT,MV/MSV,RR,MS
15	1	00053200-B	COVER,SHAFT,MV/MSV,RR,304
15	1	00053200-E	COVER,SHAFT,MV/MSV,RR,AUSST
16	1	05050056	WIPER,.313"x5"x17",MV/MSV
17	1	00053253-A	SUPPORT,WIPER,SPINNER,MV/MSV
17	1	00053253-B	SUPPORT,WIPER,SPINNER,MV/MSV
17	1	00053253-F	SUPPORT,WIPER,SPINNER,MV/MSV
18	1	00028058-A	ENCLOSURE,REAR,MV/MSV,MS
18	1	00028058-B	ENCLOSURE,REAR,MV/MSV,304
18	1	00028058-E	ENCLOSURE,REAR,MV/MSV,AUSST
19	1	00041461-A	MTG PL WLDMT,TORQUE ARM,MSV
19	1	00041461-B	MTG PL WLDMT,TORQUE ARM,MSV
19	1	00041461-C	MTG PL WLDMT,TORQUE ARM,MSV
20	1	00096811	TORQUE ARM WLDMT,RDS
21	16	05010693	BOLT .500-13 x 2.00 G8 HHCS ZC
21	16	05016205	BOLT .500-13 x 2.00 HHCS SST
22	4	05010691	BOLT .500-13 x 1.50 G8 HHCS ZC
22	4	05016096	BOLT .500-13 x 1.50 HHCS SST
23	2	05014042	BOLT .500-13 x 1.50 G5 CRG ZC
24	3	05013987	BOLT .375-16 x 1.25 G5 CRG ZC
24	3	05016746	BOLT .375-16 x 1.25 CRG SST
25	4	05010644	BOLT .375-16 x 1.25 G8 HHCS ZC
25	4	05016049	BOLT .375-16 x 1.25 HHCS SST
26	8	05010643	BOLT .375-16 x 1.00 G8 HHCS ZC
26	8	05016034	BOLT .375-16 x 1.00 HHCS SST
27	22	05020847	NUT .500-13 GC TOPLOCK C&W
27	22	05020908	NUT .500-13 NYLON LOCK 316 SST
28	15	05020898	NUT .375-16 GC TOPLOCK C&W
28	15	05020891	NUT .375-16 NYLON LOCK 316 SST
29	42	05021005	WASHER .500 FLAT MIL-CARB SAE
29	42	05021391	WASHER .500 FLAT SST
30	27	05021307	WASHER .375 FLAT ZC
30	27	05021390	WASHER .375 FLAT SST
31	2	05022107	PIN .750 x 2.313 CLEVIS
32	2	05022021	PIN .125 x 1.000 COTTER
33	.25	05051390	RUST PROOFER HEAVY DUTY

**00152018 DRIVE KIT, MCV, DUAL 6:1, 2.0 SFT**

ITEM	QTY	PART NUMBER	DESCRIPTION
1	1	05039001	SHAFT,IDLER,2.0x32.0,MV/MSV,ZC
2	4	00136518-A	RAIL,BEARING SLIDE,MCV,304
2	4	00136518-B	RAIL,BEARING SLIDE,MCV,AUSST
3	2	00053172-A	SLIDER PL WLDMT,BEARING ADJ
3	2	00053172-B	SLIDER PL WLDMT,BEARING ADJ
3	2	00053172-E	SLIDER PL WLDMT,BEARING ADJ
4	2	00137792-A	ADJUSTER ANGLE,MCV,BRG,CNVR CH
4	2	00137792-B	ADJUSTER ANGLE,MCV,BRG,CNVR CH
4	2	00137792-C	ADJUSTER ANGLE,MCV,BRG,CNVR CH
5	2	05035071	SPRING,COMP,2.187 ODx6 OAL
6	2	05050212	BUSHING,UHMW .8125 ID x 1.343
7	2	05016043	BOLT .750-10x14.5 W/14.00 THRD
7	2	00035148	ADJ BOLT WLDMT,BEARING,MV/MSV
8	2	05021312	WASHER .750 FLAT ZC
8	2	05021302	WASHER .750 FLAT SST
9	8	05020123	NUT .750-10 G2 JAM ZC
9	8	05020803	NUT .750-10 JAM SS
10	1	00083069	SHAFT,OUTPUT,2.0x38.50,MV/MSV
11	2	05051148	GEARBOX,6:1,2"SFT DIA,3.56"L
12	4	05030006	BEARING,2",4B FLANGE,MSV-MV
13	3	05050053	KEY,SQ,.5"x.5"x2.5",MV/MSV
14	4	05033004	SPROCKET,8T,667XH,2"BORE
15	1	00053200-A	COVER,SHAFT,MV/MSV,RR,MS
15	1	00053200-B	COVER,SHAFT,MV/MSV,RR,304
15	1	00053200-E	COVER,SHAFT,MV/MSV,RR,AUSST
16	1	05050056	WIPER,.313"x5"x17",MV/MSV
17	1	00053253-A	SUPPORT,WIPER,SPINNER,MV/MSV
17	1	00053253-B	SUPPORT,WIPER,SPINNER,MV/MSV
17	1	00053253-F	SUPPORT,WIPER,SPINNER,MV/MSV
18	1	00028058-A	ENCLOSURE,REAR,MV/MSV,MS
18	1	00028058-B	ENCLOSURE,REAR,MV/MSV,304
18	1	00028058-E	ENCLOSURE,REAR,MV/MSV,AUSST
19	2	00156060-A	MTG PL WLDMT,TORQUE ARM,MCV
19	2	00156060-B	MTG PL WLDMT,TORQUE ARM,MCV
19	2	00156060-C	MTG PL WLDMT,TORQUE ARM,MCV
20	2	00096811	TORQUE ARM WLDMT,RDS
21	16	05010693	BOLT .500-13 x 2.00 G8 HHCS ZC
21	16	05016205	BOLT .500-13 x 2.00 HHCS SST
22	4	05010691	BOLT .500-13 x 1.50 G8 HHCS ZC
22	4	05016096	BOLT .500-13 x 1.50 HHCS SST
23	6	05014042	BOLT .500-13 x 1.50 G5 CRG ZC





### 00152018 DRIVE KIT, MCV, DUAL 6:1, 2.0 SFT

ITEM	QTY	PART NUMBER	DESCRIPTION
23	6	05016803	BOLT .500-13 x 1.50 CRG SST
24	3	05013987	BOLT .375-16 x 1.25 G5 CRG ZC
24	3	05016746	BOLT .375-16 x 1.25 CRG SST
25	4	05010644	BOLT .375-16 x 1.25 G8 HHCS ZC
25	4	05016049	BOLT .375-16 x 1.25 HHCS SST
26	8	05010643	BOLT .375-16 x 1.00 G8 HHCS ZC
26	8	05016034	BOLT .375-16 x 1.00 HHCS SST
27	26	05020847	NUT .500-13 GC TOPLOCK C&W
27	26	05020908	NUT .500-13 NYLON LOCK 316 SST
28	15	05020898	NUT .375-16 GC TOPLOCK C&W
28	15	05020891	NUT .375-16 NYLON LOCK 316 SST
29	46	05021005	WASHER .500 FLAT MIL-CARB SAE
29	46	05021391	WASHER .500 FLAT SST
30	27	05021307	WASHER .375 FLAT ZC
30	27	05021390	WASHER .375 FLAT SST
31	4	05022107	PIN .750 x 2.313 CLEVIS
32	4	05022021	PIN .125 x 1.000 COTTER
33	.25	05051390	RUST PROOFER HEAVY DUTY

# MOTOR KITS

## 00056249 MOTOR KIT, WHITE

Item	Qty.	Part Number	Description
1	1	05006550	MOTOR, HYD, WHITE, 6.3CID, 1" SHAFT <i>See Page 168</i>
2	4	05010642	BOLT, .375-16 X .875 G8, HHCS, ZINC
3	4	05021365	WASHER, .375, LOCK, ZINC

## 00063495 MOTOR KIT, WHITE, W/ SPEED SENSOR, BRAD HARRISON

Item	Qty.	Part Number	Description
1	1	05006687	MOTOR, HYD, WHITE, 6.3 CI, 4B, 100PS <i>See Page 174</i>
2	4	05010645	BOLT, .375-16 X 1.50, G8, HHCS, ZINC
3	4	05021365	WASHER, .375, LOCK, ZINC

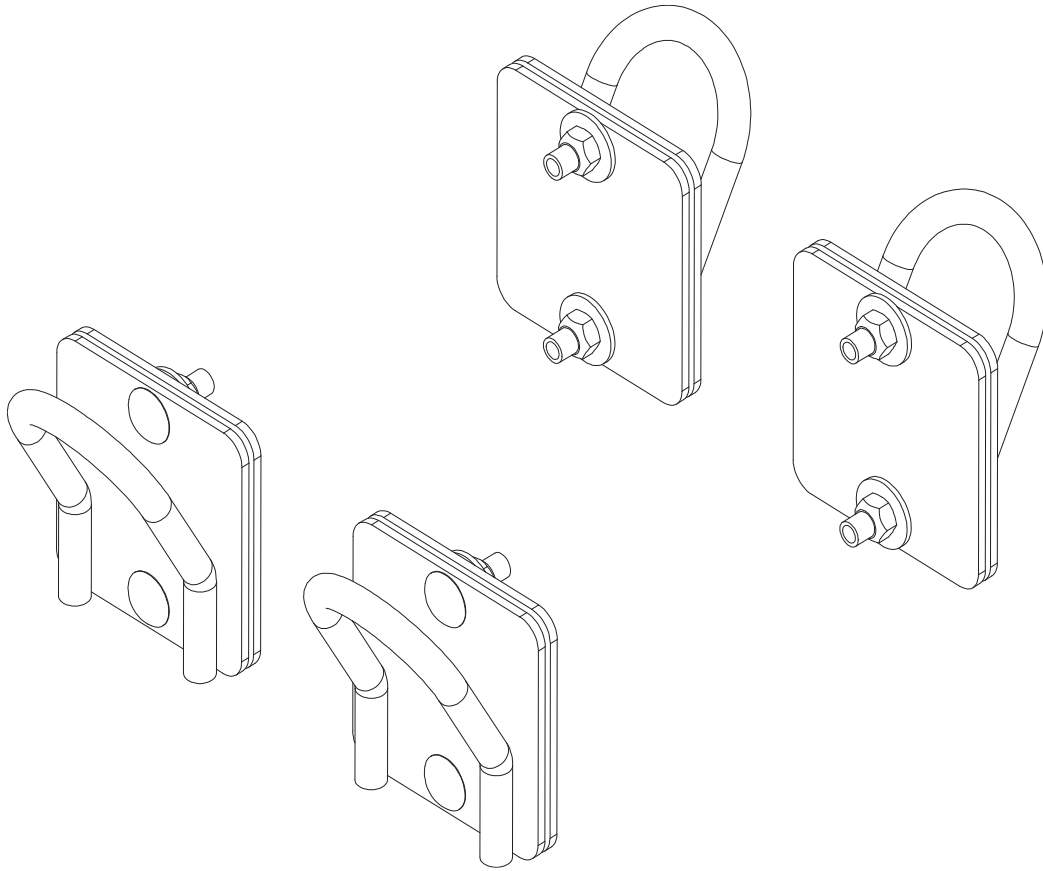
## 00071828 MOTOR KIT, WHITE, 17.9 CID

Item	Qty.	Part Number	Description
1	1	05006548	MOTOR, HYD, WHITE, 17.9 CID <i>See Page 166</i>
2	2	05010691	BOLT, .5-13 X 1.50, G8, HHCS, ZINC
3	2	05021367	WASHER, .5, LOCK, ZINC

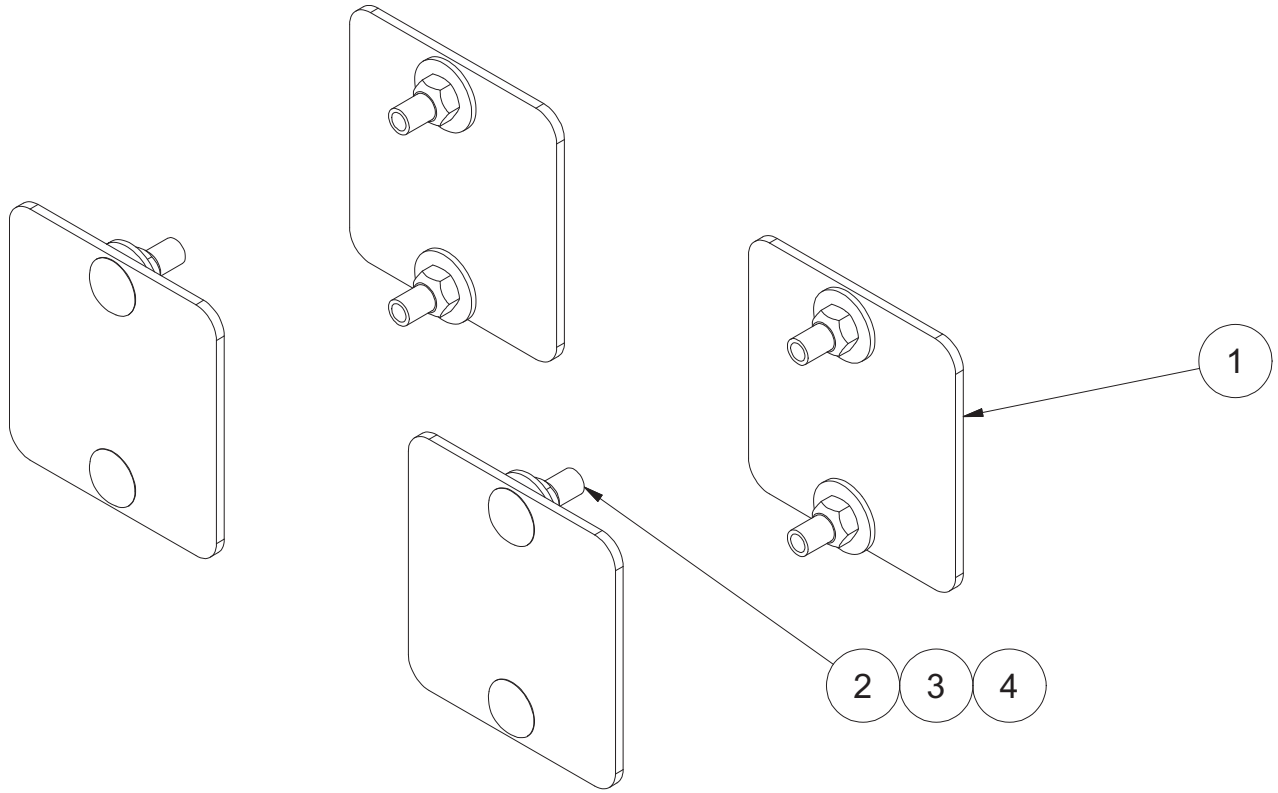
## 00071778 MOTOR KIT, WHITE, 17.9CID

Item	Qty.	Part Number	Description
1	1	05006596	MOTOR, HYD, WHITE, 17.9CI, 2B, DISP <i>See Page 170</i>
2	2	05010695	BOLT, .5-13 X 2.50, G8, HHCS, ZINC
3	2	05021367	WASHER, .5, LOCK, ZINC

# LIFT LOOP KITS



00132415 LIFT LOOP KIT, MCV, BOLT-ON			
Item	Qty	Part Number	Description
1	4	00131218-A 00131218-B 00131218-C	LIFT LOOP WELDMENT, MS LIFT LOOP WELDMENT, SST LIFT LOOP WELDMENT, AUSST
2	4	00131217-D 00131217-B 00131217-C	MOUNTING PLATE, LIFT LOOP, MS MOUNTING PLATE, LIFT LOOP, SST MOUNTING PLATE, LIFT LOOP, AUSST
3	8	05014042 05016803	BOLT, .5-13 X 1.50, G5, CARRIAGE, ZINC BOLT, .5-13 X 1.50, CARRIAGE, SST
4	8	05020847 05020908	NUT, .5-13, GC, TOP LOCK, C&W NUT, .5-13, NYLON LOCK, 316 SST
5	8	05021309 05021391	WASHER, .5, FLAT, ZINC WASHER, .5, FLAT, SST
6	8	05052992	PLUG, PLASTIC, FITS .75" OD TUBE
7	4	05052991	PLUG, PLASTIC, FITS, .5 OD TUBE



<b>00142099 COVER PL/PLUG KIT, MCV, LIFT LP HOLE</b>			
<b>Item</b>	<b>Qty.</b>	<b>Part Number</b>	<b>Description</b>
1	4	00131217-D	MOUNTING PLATE, LIFT LOOP, MCV, MS
2	8	05014040	BOLT, .5-13 X 1, G5, CARRIAGE, ZINC
3	8	05021309	WASHER, .5, FLAT, ZINC
4	8	05020847	NUT, .5-13, GC, TOP LOCK, C&W
5	8	05052992	PLUG, PLASTIC, FITS, .75" OD TUBE
6	4	05052991	PLUG, PLASTIC, FITS, .5" OD TUBE

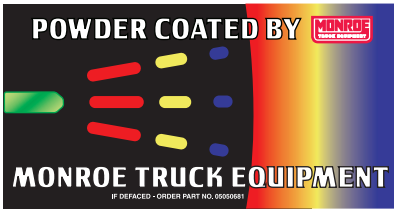
**LEFT INTENTIONALLY BLANK**



05051409



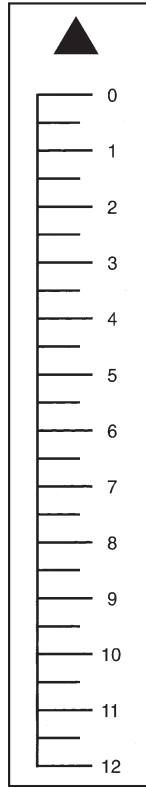
05051404



05050681



05052309



05051410



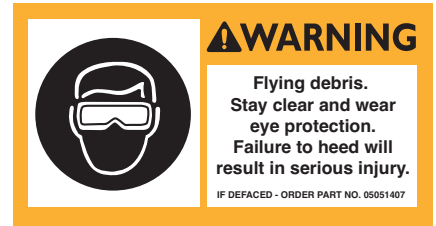
05052310



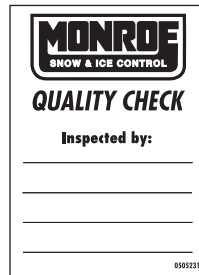
05051406



05051402



05051407



05052311



05051625



05051405

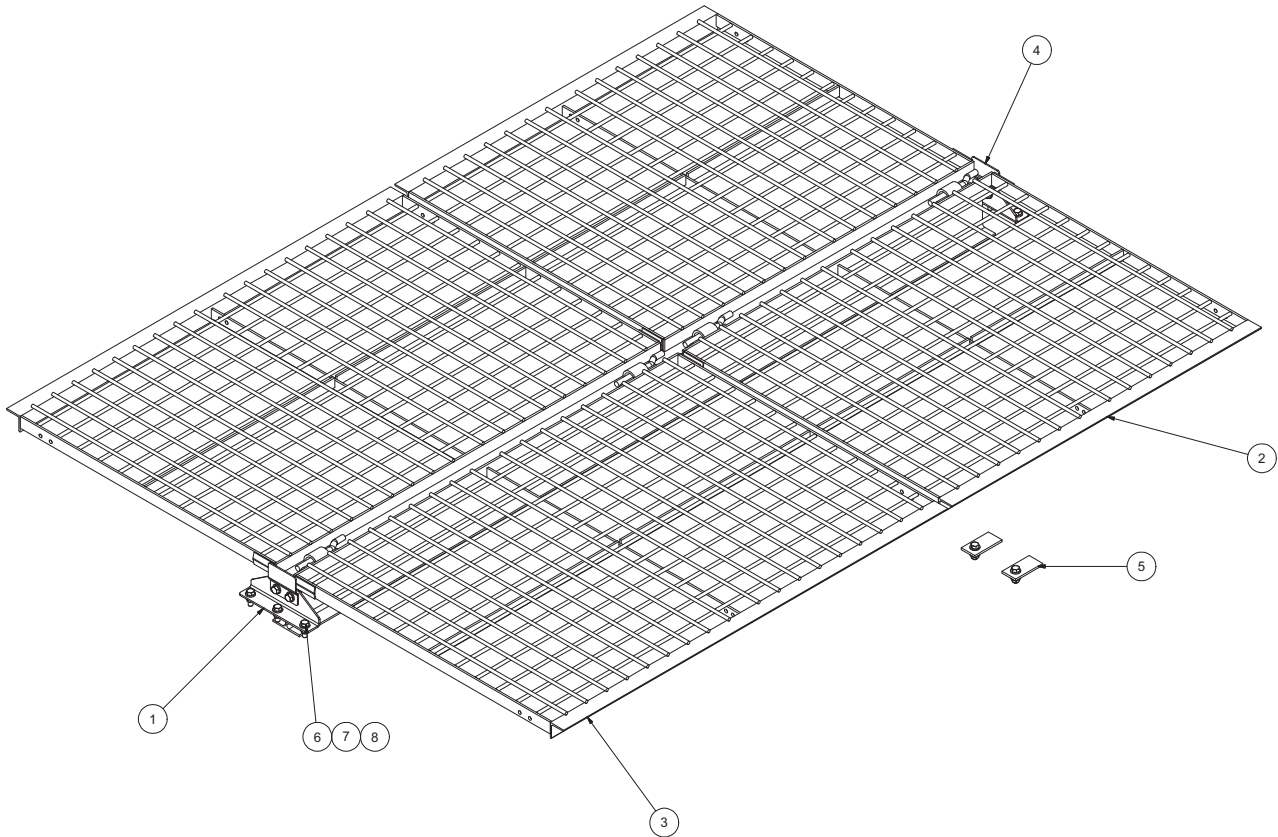
**00058852 DECAL KIT, MV/MSV, W/POWDERCOAT**

Item	Qty	Part Number	Description
1	1	05050681	Decal, Bonded Powder Coat
2	1	05051404	Decal, Caution, #1-#6
3	2	05051405	Decal, Monroe Spreader
4	3	05051406	Decal, Danger: Turn Power Off
5	1	05051407	Decal, Stay Clear, Wear Eye Protection
6	3	05052309	Decal, Danger, Moving Conveyor
7	1	05051409	Decal, Caution: Use Care When
8	1	05051410	Decal, Rear Door Ruler
9	1	05051625	Decal, Monroe Snow & Ice Control
10	1	05052311	Decal, Quality Check
11	1	05052310	Decal, Danger, Keep Guards In
12	4	05052885	Decal, Warning, Crush Hazard, 3 x 5 (Not shown)

**00037297 DECAL KIT, MV/MSV, W/O POWDERCOAT**

Item	Qty	Part Number	Description
1			
2	1	05051404	Decal, Caution, #1-#6
3	2	05051405	Decal, Monroe Spreader
4	3	05051406	Decal, Danger: Turn Power Off
5	1	05051407	Decal, Stay Clear, Wear Eye Protection
6	3	05052309	Decal, Danger, Moving Conveyor
7	1	05051409	Decal, Caution: Use Care When
8	1	05051410	Decal, Rear Door Ruler
9	1	05051625	Decal, Monroe Snow & Ice Control
10	1	05052311	Decal, Quality Check
11	1	05052310	Decal, Danger, Keep Guards In
12	4	05052885	Decal, Warning, Crush Hazard, 3 x 5 (Not shown)

# TOP GRATE KITS



## 00135016 TOP GRATE KIT, MCV, 108 X 84 X 3

Item	Qty	Part Number	Description
1	1	00135009	BEAM WELDMENT, MCV, 9', MS
2	2	00056016	TOP GRATE WELDMENT, 48X84X3
3	2	00056024	TOP GRATE WELDMENT, 60X84X3
4	2	00142593-A	STOP, TP GRT, V-BOX OFFSET, MS
5	2	00133482-A	MOUNTING PLATE, BEAM, MS
6	12	05010691 05016096	BOLT, .5-13 X 1.50, G8, HHCS, ZINC BOLT, .5-13 X 1.50, HHCS, SST
7	12	05020847 05020908	NUT, .5-13, GC, TOP LOCK, C&W NUT, .5-13, NYLON LOCK, 316 SST
8	24	05021005 05021391	WASHER, .5, FLAT, MIL-CARB, SAE WASHER, .5, FLAT, SST



**00132407 TOP GRATE KIT, MCV, 120X84X3**

Item	Qty	Part Number	Description
1	1	00132406	BEAM WELDMENT, MCV, 10', MS
2	4	00056024	TOP GRATE WELDMENT, 60X84X3
3	2	00053809-A	STOP TOP GRATE, FLAT, MS
4	12	05010691 05016096	BOLT, .5-13 X 1.50, G8, HHCS, ZINC BOLT, .5-13 X 1.50, HHCS, SST
5	12	05020847 05020908	NUT, .5-13, GC, TOP LOCK, C&W NUT, .5-13, NYLON LOCK, 316 SST
6	24	05021005 05021391	WASHER, .5, FLAT, MIL-CARB, SAE WASHER, .5, FLAT, SST
7	2	00133482-A	MOUNTING PLATE, BEAM, MS

**00133471 TOP GRATE KIT, MCV, DH, 120X84X3**

Item	Qty	Part Number	Description
1	1	00133469	BEAM WELDMENT, MCV, 10', MS(2)
2	2	00056024	TOP GRATE WELDMENT, 60x84x3
3	1	00074361	TOP GRATE MOD, 60X84X3
4	1	00074362	TOP GRATE MOD, 60X84X3
5	2	00053809-A	STOP, TP GRT, V-BOX FLAT, MS
6	12	05010691 05016096	BOLT, .5-13 X 1.50, G8, HHCS, ZINC BOLT, .5-13 X 1.50, HHCS, SST
7	12	05020847 05020908	NUT, .5-13, GC, TOP LOCK, C&W NUT, .5-13, NYLON LOCK, 316 SST
8	24	05021005 05021391	WASHER, .5, FLAT, MIL-CARB, SAE WASHER, .5, FLAT, SST
9	2	00133482-A	MOUNTING PLATE, BEAM, MS

**00135017 TOP GRATE KIT, MCV, 132 X 84 X 3**

Item	Qty	Part Number	Description
1	1	00135008	BEAM WELDMENT, MCV, 11', MS
2	4	00056016	TOP GRATE WELDMENT, 48X84X3
3	2	00056000	TOP GRATE WELDMENT, 36X84X3
4	2	00053809-A	STOP, TP GRT, V-BOX FLAT, MS
5	2	00133482-A	MOUNTING PLATE, BEAM, MS
6	12	05010691 05016096	BOLT, .5-13 X 1.50, G8, HHCS, ZINC BOLT, .5-13 X 1.50, HHCS, SST
7	12	05020847 05020908	NUT, .5-13, GC, TOP LOCK, C&W NUT, .5-13, NYLON LOCK, 316 SST
8	24	05021005 05021391	WASHER, .5, FLAT, MIL-CARB, SAE WASHER, .5, FLAT, SST

**00133491 TOP GRATE KIT, MCV, DH, 132X84X3**

Item	Qty	Part Number	Description
1	1	00135490	BEAM WELDMENT, MCV, 11', MS(2)
2	1	00067457	TOP GRATE MOD, 48X84X3
3	1	00067458	TOP GRATE MOD, 48X84X3
4	2	00056016	TOP GRATE WELDMENT, 48X84X3
5	2	00056000	TOP GRATE WELDMENT, 36X84X3
6	2	00053809-A	STOP, TP GRT, V-BOX FLAT, MS
7	2	00133482-A	MOUNTING PLATE, BEAM, MS
8	12	05010691 05016096	BOLT, .5-13 X 1.50, G8, HHCS, ZINC BOLT, .5-13 X 1.50, HHCS, SST
9	12	05020847 05020908	NUT, .5-13, GC, TOP LOCK, C&W NUT, .5-13, NYLON LOCK, 316 SST
10	24	05021005 05021391	WASHER, .5, FLAT, MIL-CARB, SAE WASHER, .5, FLAT, SST

**00135018 TOP GRATE KIT, MCV, 144X84X3**

Item	Qty	Part Number	Description
1	1	00135010	BEAM WELDMENT, MCV, 12', MS
2	6	00056016	TOP GRATE WELDMENT, 48X84X3
3	2	00053809-A	STOP TOP GRATE, FLAT, MS
4	12	05010691 05016096	BOLT, .5-13 X 1.50, G8, HHCS, ZINC BOLT, .5-13 X 1.50, HHCS, SST
5	12	05020847 05020908	NUT, .5-13, GC, TOP LOCK, C&W NUT, .5-13, NYLON LOCK, 316 SST
6	24	05021005 05021391	WASHER, .5, FLAT, MIL-CARB, SAE WASHER, .5, FLAT, SST
7	2	00133482-A	MOUNTING PLATE, BEAM, MS

**00135019 TOP GRATE KIT, MCV, 156 X 84 X 3**

Item	Qty	Part Number	Description
1	1	00135011	BEAM WELDMENT, MCV, 13', MS
2	4	00056016	TOP GRATE WELDMENT, 48X84X3
3	2	00056024	TOP GRATE WELDMENT, 60X84X3
4	1	00053809-A	STOP, TP GRT, V-BOX FLAT, MS
5	1	00157509-A	STOP TOP GRATE, V-BOX, .625, MS
6	2	00133482-A	MOUNTING PLATE, BEAM, MS
7	12	05010691 05016096	BOLT, .5-13 X 1.50, G8, HHCS, ZINC BOLT, .5-13 X 1.50, HHCS, SST
8	12	05020847 05020908	NUT, .5-13, GC, TOP LOCK, C&W NUT, .5-13, NYLON LOCK, 316 SST
9	24	05021005 05021391	WASHER, .5, FLAT, MIL-CARB, SAE WASHER, .5, FLAT, SST

**00135020 TOP GRATE KIT, MCV, 168 X 84 X 3**

Item	Qty	Part Number	Description
1	1	00135012	BEAM WELDMENT, MCV, 14', MS
2	2	00056016	TOP GRATE WELDMENT, 48X84X3
3	4	00056024	TOP GRATE WELDMENT, 60X84X3
4	1	00053809-A	STOP, TP GRT, V-BOX FLAT, MS
5	1	00157510-A	STOP TOP GRATE, VBOX, 1.375, MS
6	4	00133482-A	MOUNTING PLATE, BEAM, MS
7	14	05010691 05016096	BOLT, .5-13 X 1.50, G8, HHCS, ZINC BOLT, .5-13 X 1.50, HHCS, SST
8	14	05020847 05020908	NUT, .5-13, GC, TOP LOCK, C&W NUT, .5-13, NYLON LOCK, 316 SST
9	28	05021005 05021391	WASHER, .5, FLAT, MIL-CARB, SAE WASHER, .5, FLAT, SST

**00133627 TOP GRATE KIT, MCV, 180X84X3**

Item	Qty	Part Number	Description
1	1	00132499	BEAM WELDMENT, MCV, 15', MS
2	6	00056024	TOP GRATE WELDMENT, 48X84X3
3	1	00010020-A	STOP TOP GRATE, 1.0, MS
4	1	00010021-A	STOP TOP GRATE V-BOX, 2.3 MS
5	14	05010691 05016096	BOLT, .5-13 X 1.50, G8, HHCS, ZINC BOLT, .5-13 X 1.50, HHCS, SST
6	14	05020847 05020908	NUT, .5-13, GC, TOP LOCK, C&W NUT, .5-13, NYLON LOCK, 316 SST
7	28	05021005 05021391	WASHER, .5, FLAT, MIL-CARB, SAE WASHER, .5, FLAT, SST
8	4	00133482-A	MOUNTING PLATE, BEAM, MS

**00135021 TOP GRATE KIT, MCV, 192 X 84 X 3**

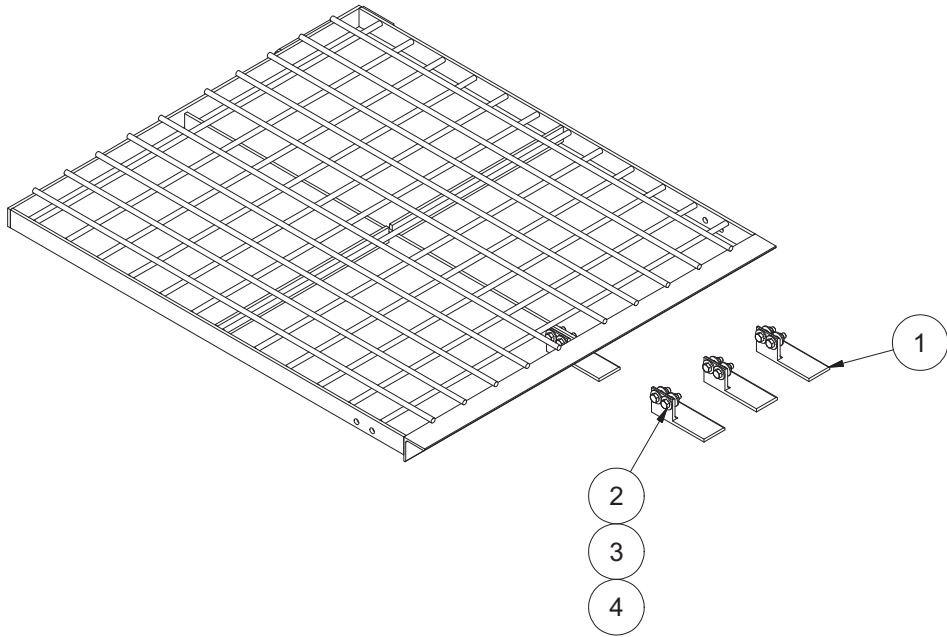
Item	Qty	Part Number	Description
1	1	00142575	BEAM WELDMENT, MCV, 16', MS
2	8	00056016	TOP GRATE WELDMENT, 48X84X3
3	1	00157510-A	STOP TOP GRATE, 1.375 MS
4	1	00053809-A	STOP TOP GRATE, FLAT, MS
5	4	00133482-A	MOUNTING PLATE, BEAM, MS
6	14	05010691 05016096	BOLT, .5-13 X 1.50, G8, HHCS, ZINC BOLT, .5-13 X 1.50, HHCS, SST
7	14	05020847 05020908	NUT, .5-13, GC, TOP LOCK, C&W NUT, .5-13, NYLON LOCK, 316 SST
8	28	05021005 05021391	WASHER, .5, FLAT, MIL-CARB, SAE WASHER, .5, FLAT, SST

**00135022 TOP GRATE KIT, MCV, 204X84X3**

Item	Qty	Part Number	Description
1	1	00135014	BEAM WELDMENT, MCV, 17' MS
2	6	00056016	TOP GRATE WELDMENT, 48X84X3
3	2	00056024	TOP GRATE WELDMENT, 60X84X3
4	1	00053809-A	STOP TOP GRATE, V-BOX, FLAT, MS
5	1	00010021-A	STOP TOP GRATE, 2.3 MS
6	14	05010691 05016096	BOLT, .5-13 X 1.50, G8, HHCS, ZINC BOLT, .5-13 X 1.50, HHCS, SST
7	14	05020847 05020908	NUT, .5-13, GC, TOP LOCK, C&W NUT, .5-13, NYLON LOCK, 316 SST
8	28	05021005 05021391	WASHER, .5, FLAT, MIL-CARB, SAE WASHER, .5, FLAT, SST
9	4	00133482-A	MOUNTING PLATE, BEAM, MS

**00135023 TOP GRATE KIT, MCV, 216X84X3**

Item	Qty	Part Number	Description
1	1	00135015	BEAM WELDMENT, MCV, 18' MS
2	4	00056016	TOP GRATE WELDMENT, 48X84X3
3	4	00056024	TOP GRATE WELDMENT, 60X84X3
4	1	00053809-A	STOP TOP GRATE, V-BOX, FLAT, MS
5	1	00157512-A	STOP TOP GRATE, 3.375 MS
6	14	05010691 05016096	BOLT, .5-13 X 1.50, G8, HHCS, ZINC BOLT, .5-13 X 1.50, HHCS, SST
7	14	05020847 05020908	NUT, .5-13, GC, TOP LOCK, C&W NUT, .5-13, NYLON LOCK, 316 SST
8	28	05021005 05021391	WASHER, .5, FLAT, MIL-CARB, SAE WASHER, .5, FLAT, SST
9	4	00133482-A	MOUNTING PLATE, BEAM, MS



### LOCK KIT, TOP GRATE

Item	Qty.	Part Number	Description
1	See Chart	00023754	LOCK, TOP GRATE
2	See Chart	05010644 05016034	BOLT, .375-16 X 1.25, G8, HHCS, ZINC BOLT, .375-16 X 1, HHCS, SST
3	See Chart	05020898 05020891	NUT, .375-16, GC, TOP LOCK, C&W NUT, .375-16 NYLON LOCK, 316 SST
4	See Chart	05021307 05021390	WASHER, .375, FLAT, ZINC WASHER, .375, FLAT, SST

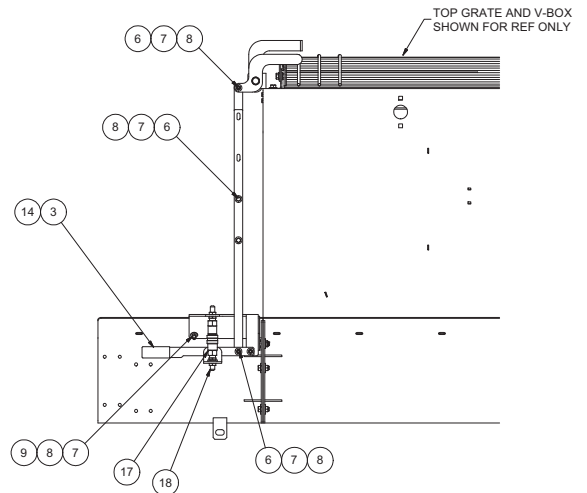
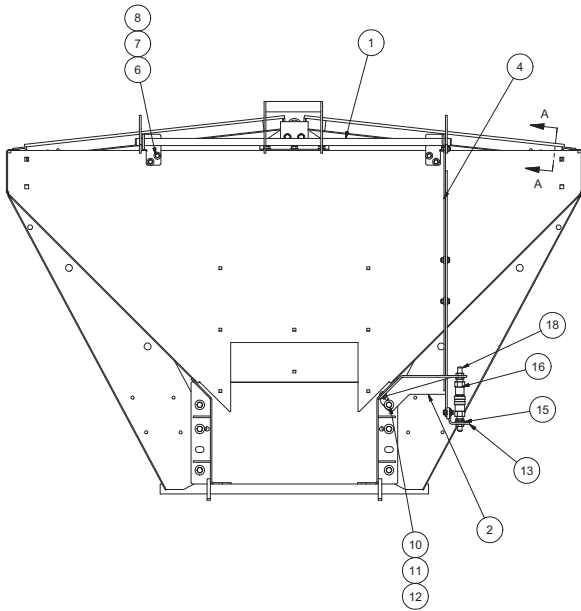
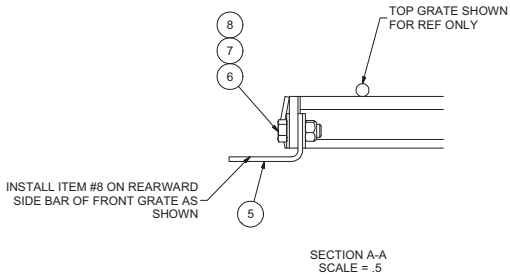
**Quantity:**

**Body Length 8'-10': Lock (4); Bolt & Nut (8); Washer (16)**

**Body Length 11'-15': Lock (6); Bolt & Nut (12); Washer (24)**

**Body Length 16'-18': Lock (8); Bolt & Nut (16); Washer (32)**

# HYDRAULIC INTERLOCK SHUT OFF KITS



**00133684 HYD INT SHUTOFF KIT, .5 CPLR, 2GRT/SD**

ITEM	QTY	PART NUMBER	DESCRIPTION
1	1	00130765-A	BAR WLDMT,MSV AUG,INT SHUTOFF
1	1	00130765-B	BAR WLDMT,MSV AUG,INT SHUTOFF
1	1	00130765-C	BAR WLDMT,MSV AUG,INT SHUTOFF
2	1	00133685-A	MTG PL WLDMT, .50 CPLR,MCV,HYD
2	1	00133685-B	MTG PL WLDMT, .50 CPLR,MCV,HYD
2	1	00133685-C	MTG PL WLDMT, .50 CPLR,MCV,HYD
3	1	00130781-A	CONNECTION LEVER,MSV AUG,INT
3	1	00130781-B	CONNECTION LEVER,MSV AUG,INT
3	1	00130781-C	CONNECTION LEVER,MSV AUG,INT
4	2	00130783-A	LINKAGE BAR,MSV AUG,INT
4	2	00130783-B	LINKAGE BAR,MSV AUG,INT
4	2	00130783-B	LINKAGE BAR,MSV AUG,INT
5	2	00130782-A	LOCKING BRKT,TPG,MSV AUG,INT
5	2	00130782-B	LOCKING BRKT,TPG,MSV AUG,INT
5	2	00130782-C	LOCKING BRKT,TPG,MSV AUG,INT
6	14	05010643	BOLT .375-16 x 1.00 G8 HHCS ZC
6	14	05016034	BOLT .375-16 x 1.00 HHCS SST
7	15	05020898	NUT .375-16 GC TOPLOCK C&W
7	15	05020891	NUT .375-16 NYLON LOCK 316 SST
8	29	05021307	WASHER .375 FLAT ZC
8	29	05021390	WASHER .375 FLAT SST
9	1	05013987	BOLT .375-16 x 1.25 G5 CRG ZC
9	1	05016746	BOLT .375-16 x 1.25 CRG SST
10	1	05010692	BOLT .500-13 x 1.75 G8 HHCS ZC
10	1	05016204	BOLT .500-13 x 1.75 HHCS SST
11	1	05020847	NUT .500-13 GC TOPLOCK C&W
11	1	05020908	NUT .500-13 NYLON LOCK 316 SST
12	2	05021309	WASHER .500 FLAT ZC
12	2	05021391	WASHER .500 FLAT SST
13	1	00133682-A	CONNECTION PL,HYD INTRPT,MCV
13	1	00133682-B	CONNECTION PL,HYD INTRPT,MCV
13	1	00133682-C	CONNECTION PL,HYD INTRPT,MCV
14	1	05052759	HANDLE,GRIP,RECTANGULAR,.25 X
15	1	05038270	GASKET,FLANGE,1",EPDM,MANIFOLD
16	1	FF-502-8FP	HYD FITNG,COUPLER HYD,PARKER
17	1	FF-501-8FP	HYD FITNG,COUPLER HYD,PARKER
18	2	2706-LN-8-8	HYD FITNG,ASSY,BHD CONNECTOR
18	2	SS2706-LN-8-8	HYD FITNG,ASSY,BHD CONNECTOR

**00133686 HYD INT SHUTOFF KIT, MCV AUG .5 CPLR, 3GRT/SD**

ITEM	QTY	PART NUMBER	DESCRIPTION
1	1	00130765-A	BAR WLDMT,MSV AUG,INT SHUTOFF
1	1	00130765-B	BAR WLDMT,MSV AUG,INT SHUTOFF
1	1	00130765-C	BAR WLDMT,MSV AUG,INT SHUTOFF
2	1	00133685-A	MTG PL WLDMT,.50 CPLR,MCV,HYD
2	1	00133685-B	MTG PL WLDMT,.50 CPLR,MCV,HYD
2	1	00133685-C	MTG PL WLDMT,.50 CPLR,MCV,HYD
3	1	00130781-A	CONNECTION LEVER,MSV AUG,INT
3	1	00130781-B	CONNECTION LEVER,MSV AUG,INT
3	1	00130781-C	CONNECTION LEVER,MSV AUG,INT
4	2	00130783-A	LINKAGE BAR,MSV AUG,INT
4	2	00130783-B	LINKAGE BAR,MSV AUG,INT
4	2	00130783-B	LINKAGE BAR,MSV AUG,INT
5	4	00130782-A	LOCKING BRKT,TPG,MSV AUG,INT
5	4	00130782-B	LOCKING BRKT,TPG,MSV AUG,INT
5	4	00130782-C	LOCKING BRKT,TPG,MSV AUG,INT
6	18	05010643	BOLT .375-16 x 1.00 G8 HHCS ZC
6	18	05016034	BOLT .375-16 x 1.00 HHCS SST
7	19	05020898	NUT .375-16 GC TOPLOCK C&W
7	19	05020891	NUT .375-16 NYLON LOCK 316 SST
8	37	05021307	WASHER .375 FLAT ZC
8	37	05021390	WASHER .375 FLAT SST
9	1	05013987	BOLT .375-16 x 1.25 G5 CRG ZC
9	1	05016746	BOLT .375-16 x 1.25 CRG SST
10	1	05010692	BOLT .500-13 x 1.75 G8 HHCS ZC
10	1	05016204	BOLT .500-13 x 1.75 HHCS SST
11	1	05020847	NUT .500-13 GC TOPLOCK C&W
11	1	05020908	NUT .500-13 NYLON LOCK 316 SST
12	2	05021309	WASHER .500 FLAT ZC
12	2	05021391	WASHER .500 FLAT SST
13	1	00133682-A	CONNECTION PL,HYD INTRPT,MCV
13	1	00133682-B	CONNECTION PL,HYD INTRPT,MCV
13	1	00133682-C	CONNECTION PL,HYD INTRPT,MCV
14	1	05052759	HANDLE,GRIP,RECTANGULAR,.25 X
15	1	05038270	GASKET,FLANGE,1",EPDM,MANIFOLD
16	1	FF-502-8FP	HYD FITNG,COUPLER HYD,PARKER
17	1	FF-501-8FP	HYD FITNG,COUPLER HYD,PARKER
18	2	2706-LN-8-8	HYD FITNG,ASSY,BHD CONNECTOR
18	2	SS2706-LN-8-8	HYD FITNG,ASSY,BHD CONNECTOR, SST



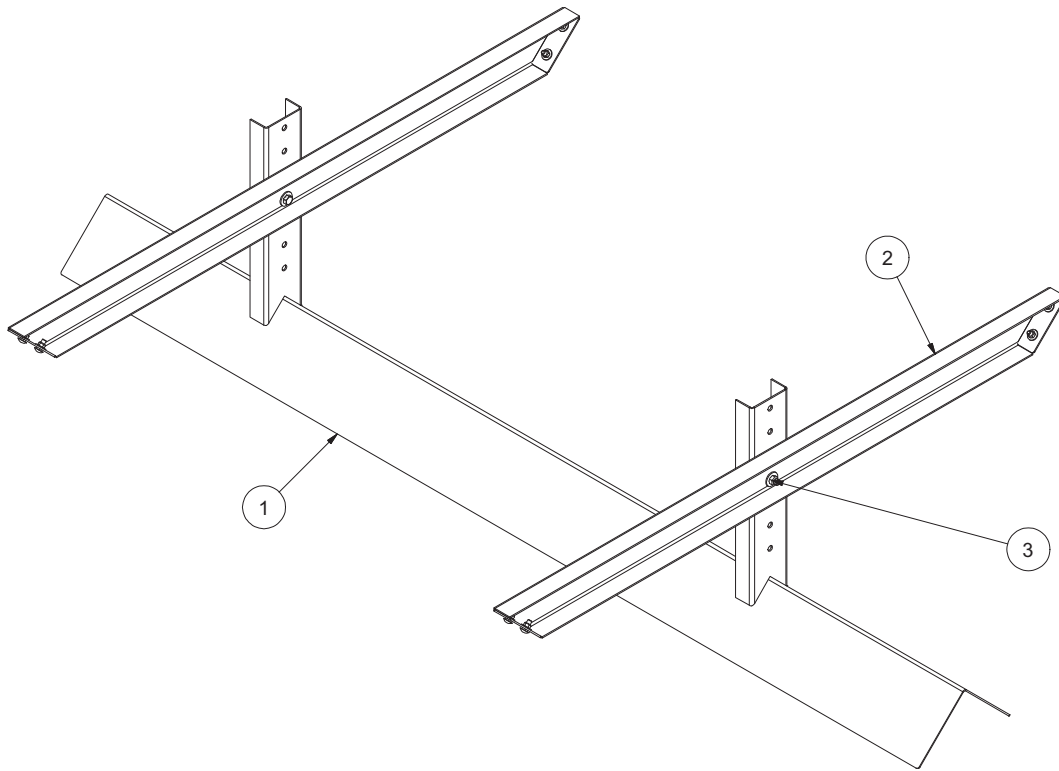
**00137732 HYD INT SHUTOFF KIT, MCV AUG, .5 CPLR, 4GT/SD**

ITEM	QTY	PART NUMBER	DESCRIPTION
1	1	00130765-A	BAR WLDMT,MSV AUG,INT SHUTOFF
1	1	00130765-B	BAR WLDMT,MSV AUG,INT SHUTOFF
1	1	00130765-C	BAR WLDMT,MSV AUG,INT SHUTOFF
2	1	00133685-A	MTG PL WLDMT,.50 CPLR,MCV,HYD
2	1	00133685-B	MTG PL WLDMT,.50 CPLR,MCV,HYD
2	1	00133685-C	MTG PL WLDMT,.50 CPLR,MCV,HYD
3	1	00130781-A	CONNECTION LEVER,MSV AUG,INT
3	1	00130781-B	CONNECTION LEVER,MSV AUG,INT
3	1	00130781-C	CONNECTION LEVER,MSV AUG,INT
4	2	00130783-A	LINKAGE BAR,MSV AUG,INT
4	2	00130783-B	LINKAGE BAR,MSV AUG,INT
5	6	00130782-A	LOCKING BRKT,TPG,MSV AUG,INT
5	6	00130782-B	LOCKING BRKT,TPG,MSV AUG,INT
5	6	00130782-C	LOCKING BRKT,TPG,MSV AUG,INT
6	22	05010643	BOLT .375-16 x 1.00 G8 HHCS ZC
6	22	05016034	BOLT .375-16 x 1.00 HHCS SST
7	23	05020898	NUT .375-16 GC TOPLOCK C&W
7	23	05020891	NUT .375-16 NYLON LOCK 316 SST
8	45	05021307	WASHER .375 FLAT ZC
8	45	05021390	WASHER .375 FLAT SST
9	1	05013987	BOLT .375-16 x 1.25 G5 CRG ZC
9	1	05016746	BOLT .375-16 x 1.25 CRG SST
10	1	05010692	BOLT .500-13 x 1.75 G8 HHCS ZC
10	1	05016204	BOLT .500-13 x 1.75 HHCS SST
11	1	05020847	NUT .500-13 GC TOPLOCK C&W
11	1	05020908	NUT .500-13 NYLON LOCK 316 SST
12	2	05021309	WASHER .500 FLAT ZC
12	2	05021391	WASHER .500 FLAT SST
13	1	00133682-A	CONNECTION PL,HYD INTRPT,MCV
13	1	00133682-B	CONNECTION PL,HYD INTRPT,MCV
13	1	00133682-C	CONNECTION PL,HYD INTRPT,MCV
14	1	05052759	HANDLE,GRIP,RECTANGULAR,.25 X
15	1	05038270	GASKET,FLANGE,1",EPDM,MANIFOLD
16	1	FF-502-8FP	HYD FITNG,COUPLER HYD,PARKER
17	1	FF-501-8FP	HYD FITNG,COUPLER HYD,PARKER
18	2	2706-LN-8-8	HYD FITNG,ASSY,BHD CONNECTOR
18	2	SS2706-LN-8-8	HYD FITNG,ASSY,BHD CONNECTOR

# OPTIONS

**00050710 WINCH KIT, 800#, RH, W/ BRAKE & LIFT LOOP**  
**00050711 WINCH KIT, 800#, LH, W/ BRAKE & LIFT LOOP**

Item	Qty	Part Number	Description
1	1	05050112	WINCH, RATCHET, W/ BRAKE
2	1	05051162	CABLE ASSEMBLY
3	1	05051155	CABLE BLOCK/SWIVEL
4	1 1	00029944 00029943	BRACKET, WINCH, RH BRACKET, WINCH, LH
5	1	00050716	LIFT LOOP WELDMENT
6	1	05016909	U-BOLT, RND, .375-16, 1.25 X 2.50 ZINC
7	8	05010644	BOLT, $\frac{3}{8}$ -16 X 1 $\frac{1}{4}$ , G8, HHCS, ZINC
8	10	05020898	NUT, $\frac{3}{8}$ -16, GC, TOP LOCK, C&W
9	20	05021307	WASHER, $\frac{3}{8}$ , FLAT, ZINC



### INVERTED V KIT

Item	Qty.	Part Number	Description
1	1	00026220-A 00026220-B 00026220-E  00026221-A 00026221-B 00026221-E  00026222-A 00026222-B 00026222-D  00026223-A 00026223-B 00026223-D  00026224-A 00026224-B 00026224-D	INVERTED V WELDMENT, 8-9, MS INVERTED V WELDMENT, 8-9, 304SST INVERTED V WELDMENT, 8-9, AUSST  INVERTED V WELDMENT, 10-11, MS INVERTED V WELDMENT, 10-11, 304SST INVERTED V WELDMENT, 10-11, AUSST  INVERTED V WELDMENT, 12-13, MS INVERTED V WELDMENT, 12-13, 304SST INVERTED V WELDMENT, 12-13, AUSST  INVERTED V WELDMENT, 14-15, MS INVERTED V WELDMENT, 14-15, 304 SST INVERTED V WELDMENT, 14-15, AUSST  INVERTED V WELDMENT, 16-17, MS INVERTED V WELDMENT, 16-17, 304SST INVERTED V WELDMENT, 16-17, AUSST
2	2 OR 3	00131221-A 00131221-B 00131221-C	CROSS CHANNEL WELDMENT, INVT V, MS CROSS CHANNEL WELDMENT, INVT V, 304SST CROSS CHANNEL WELDMENT, INVT V, AUSST
3	1	00131240-A 00131240-B  00132494-A 00132494-B	BOLT KIT, INVERTED V MCV 8-13, MS BOLT KIT, INVERTED V MCV 8-13, SST  BOLT KIT, INVERTED V MCV 14-17, MS BOLT KIT, INVERTED V MCV 14-17, SST

**00012828 LIGHT KIT, SLIP IN**

Item	Qty	Part Number	Description
1	2	00053259-A 00053259-B	Guard, Clearance Light, MS Guard, Clearance Light, 304 SST
2	2	05041078	Light Red, Clearance
3	1	05041079	Light, Red, 3 Bar Cluster
4	2	05051433	Reflector, Red, Stick-On
5	2	05051434	Reflector, Amber, Stick-On
6	12 FT	05041313	Cable Wire, 14 Gauge/ 2 Conductor
7	4	05052474	Clamp, 1/4" ID, Cushioned Metal, SST
8	6	05010593	Bolt, 1/4-20 x 1, G8, HHCs, Zinc
9	6	05020899	Nut, 1/4-20, Top Lock, Zinc
10	10	05016060	Screw, 310-24 x 1, PH, TRS, HD
11	10	05020964	Nut, #10-24, Nylon Lock, 316 SST

**00012831 LIGHT KIT, STOP/TURN/TAIL, PAIR**

Item	Qty	Part Number	Description
1	2	05041080	Light, Stop/Turn/Tail
2	10 FT	05041314	Cable Wire, 14 Gauge, /3 Conductor

**00012829 4" SPOT LIGHT**

Item	Qty	Part Number	Description
1	1	05041088	Light, Spot, Rubber Housing

**00012836 LIGHT KIT, JUNCTION BOX ASSEMBLY**

Item	Qty	Part Number	Description
1	1	05041583	Plug, 7-Pole Molded w/ 10' Cable
2	1	05041094	Junction Box, 4" Round

**LAMP KIT, AMBER (2) 7" FLASHING**

Item	Qty	Part Number	Description
1	1	05041085 05041763	LAMP KIT, AMBER, (2) 7" FLASHING HAZARD LIGHT LAMP KIT, AMBER (2) 7" FLASHING LED

**BAR LIGHTS**

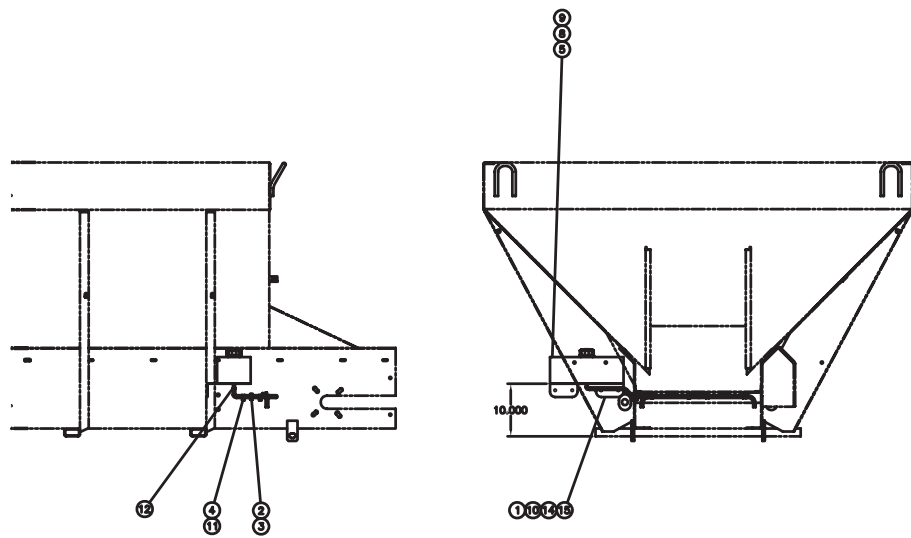
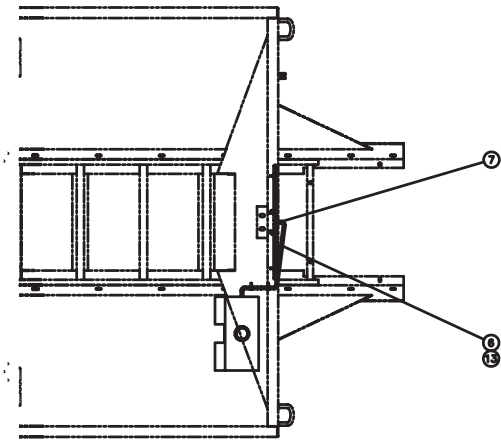
Item	Qty	Part Number	Description
1	1	00056063-A	Bar Light, 30, MS
		00056063-B	Bar Light, 30, 304 SST
		00056063-D	Bar Light, 30, Corten
		00145951-A	Bar Light, 72, S/T/T, MS
		00145951-B	Bar Light, 72, S/T/T, 304 SST

**00088776 LIGHT KIT, S/T/T, LED**

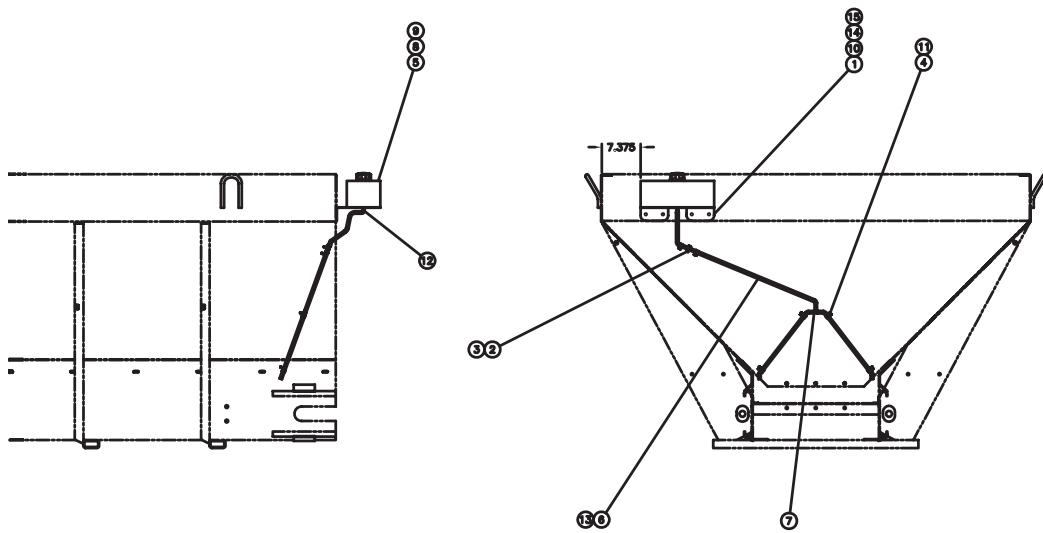
Item	Qty	Part Number	Description
1	2	05041609	Light, Stop/Turn/Tail, Betts LED
2	10 FT	05041314	Cable Wire, 14 Gauge, /3 Conductor

**00088775 LIGHT KIT, SLIP IN, LED**

Item	Qty	Part Number	Description
1	2	00053259-A	Guard, Clearance Light, MS
		00053259-B	Guard, Clearance Light, 304 SST
2	2	05041596	Light, Red, Clearance, Betts, LED
3	1	05014597	Light, Red, 3 bar Cluster, Betts, LED
4	2	05051433	Reflector, Red, Stick-On
5	2	05051434	Reflector, Amber, Stick-On
6	12 FT	05041313	Cable Wire, 14 Gauge/ 2 Conductor
7	4	05052474	Clamp, 1/2" ID, Cushioned Metal
8	6	05010593	Bolt, 1/4-20 x 1, G8, HHCs, Zinc
9	6	05020899	Nut, 1/4-20, Top Lock, Zinc
10	10	05016060	Screw, 310-24 x 1, PH, TRS, HD
11	10	05020964	Nut, #10-24, Nylon Lock, 316 SST



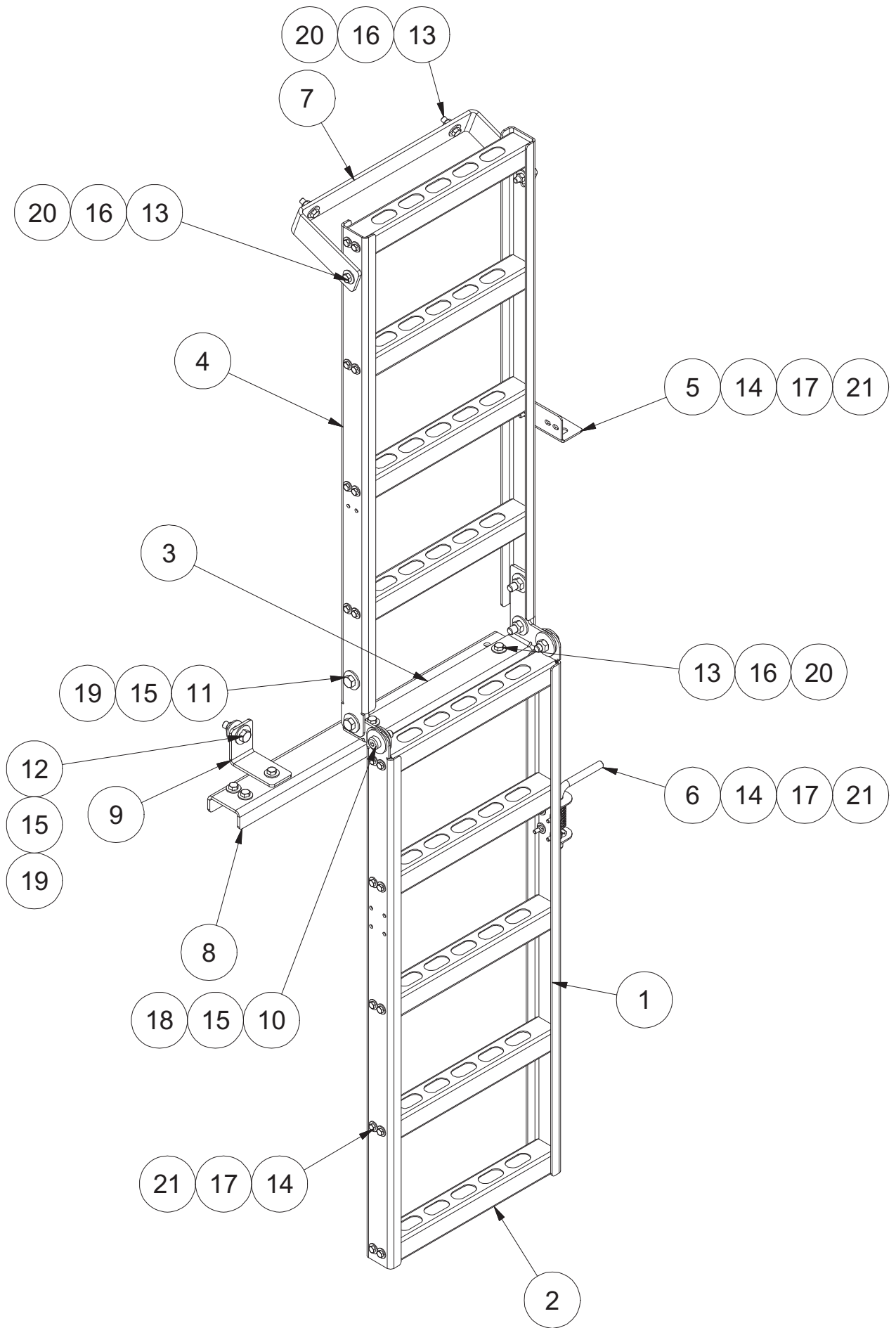
REAR MOUNT DETAIL



FRONT MOUNT DETAIL

**00040728 CHAIN OILER KIT, 1.5 GALLON, FRONT OR REAR**

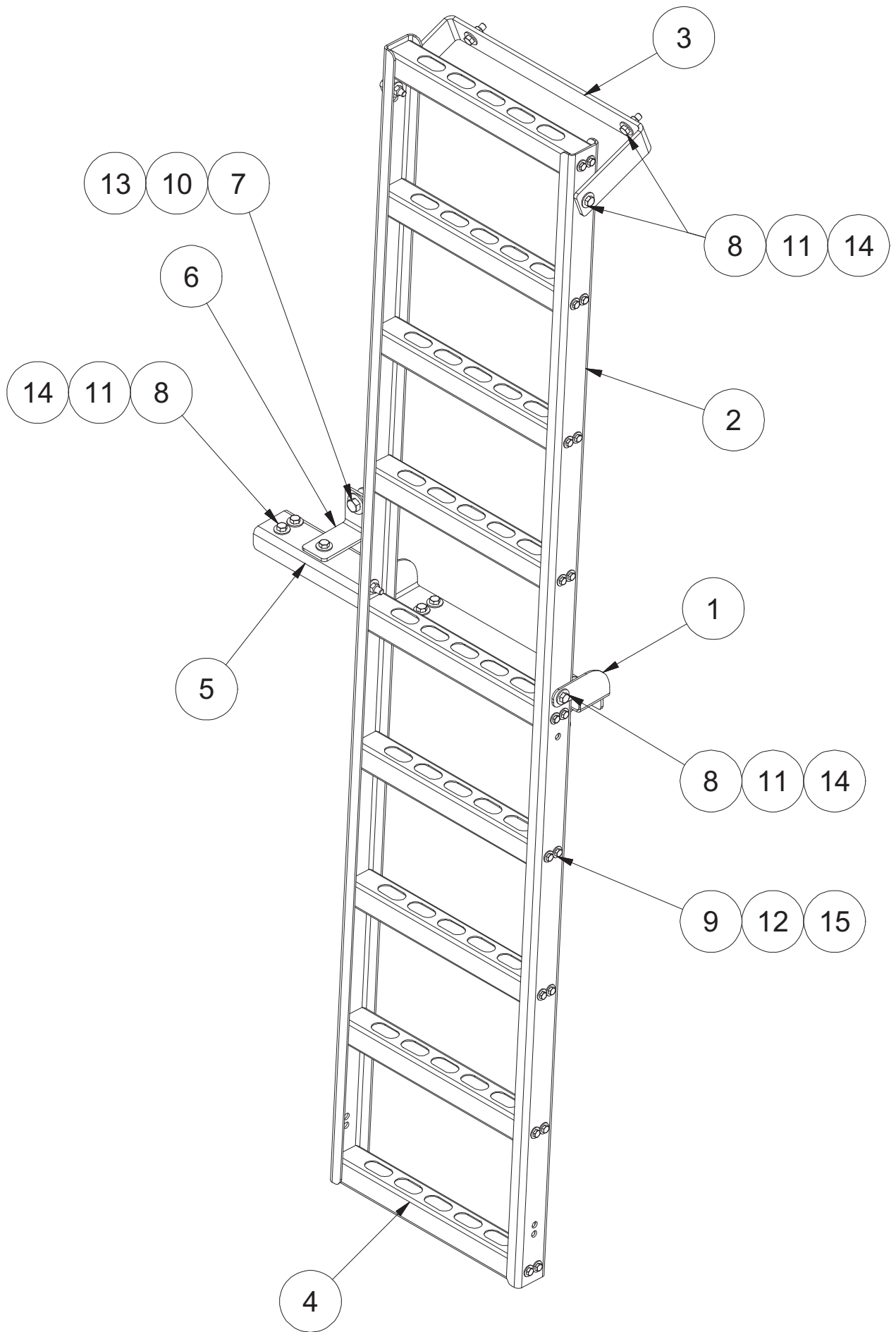
Item	Qty	Part Number	Description
1			
2	1	05037123	VALVE, PETCOCK, .25 NPT X 2
3	2	05037139	NIPPLE, HOSE NYLON MALE, .25 ID
4	6	05052475	CLAMP, .375" CUSHIONED METAL, SST
5	1	05053019	PLASTIC RECTANGULAR OIL TANK
6	10 FT	05051212	TUBING, VINYL PLASTIC
7	1	05051223	NYLON "T"
8	2	05016113	BOLT, .250-20 X .750, HHCS, SST
9	2	05021393	WASHER, .250 LOCK, SS
10	2	05016040	BOLT, .250-20 X 1, HHCS, SS
11	6	05016059	SCREW, #10
12	1	05038490	HOSE BAR, 90° POLY, .375 MPT TO .250 HOSE BARB
13	2	05041640	SNAP BUSHING, .5" SOLID, .375" ID
14	4	05021403	WASHER, .250, FLAT, SS
15	2	05020906	NUT, .250-20, NYLON LOCK, 316 SS
16	6	05020964	NUT, #10-24, NYLON LOCK, 316 SS
17	6	05021413	WASHER, #10, FLAT, 18-8, SS
18	1	05037977	FITTING, BUSHING, REDUCER, .75 MNPT X





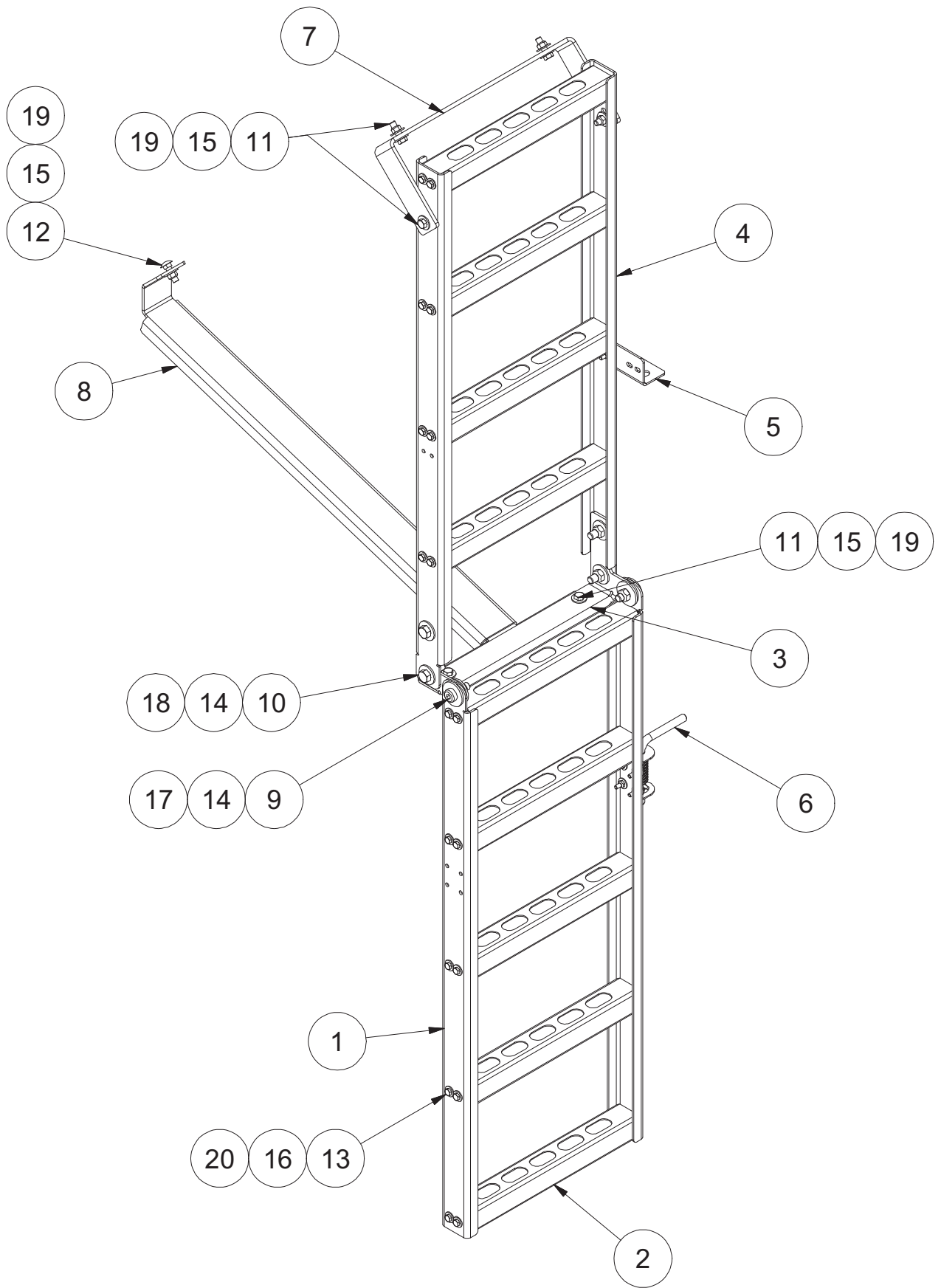
**00135067 LADDER KIT, MCV, RR MT, SWING UP**

ITEM	QTY	PART NUMBER	DESCRIPTION
1	2	00135066-A	RAIL,SIDE,LADDER,MCV,LWR,MS
1	2	00135066-B	RAIL,SIDE,LADDER,MCV,LWR,304
1	2	00135066-C	RAIL,SIDE,LADDER,MCV,LWR,AUSST
2	9	00131698-A	RUNG,LADDER,RDS,MS
2	9	00131698-B	RUNG,LADDER,RDS,304
3	1	00131697-A	HINGE PL,LADDER,RDS,MS
3	1	00131697-B	HINGE PL,LADDER,RDS,304
3	1	00131697-C	HINGE PL,LADDER,RDS,AUSST
4	2	00135065-A	RAIL,SIDE,LADDER,MCV,UPR,MS
4	2	00135065-B	RAIL,SIDE,LADDER,MCV,UPR,304
4	2	00135065-C	RAIL,SIDE,LADDER,MCV,UPR,AUSST
5	1	00131699-A	LATCH BRACKET,LADDER,RDS,MS
5	1	00131699-B	LATCH BRACKET,LADDER,RDS,304
5	1	00131699-C	LATCH BRACKET,LADDER,RDS,AUSST
6	1	05050289	LATCH,SPRING,1/2" PIN
7	1	00135068-A	MTG PL,LADDER,MCV,RR MT,MS
7	1	00135068-B	MTG PL,LADDER,MCV,RR MT,304
8	1	00135288-A	SUPPORT CHAN,LADDER,MCV,RR MT
8	1	00135288-B	SUPPORT CHAN,LADDER.MCV,RR,MT
8	1	00135288-C	SUPPORT CHAN,LADDER.MCV,RR,MT
9	1	00145911-A	BRACE,LADDER,MCV,RR MT,MS
9	1	00145911-B	BRACE,LADDER,MCV,RR MT,304
9	1	00145911-C	BRACE,LADDER,MCV,RR MT,AUSST
10	2	05017048	BOLT .500-13x.750,.625x.625
11	4	05010691	BOLT .500-13 x 1.50 G8 HHCS ZC
11	4	05016096	BOLT .500-13 x 1.50 HHCS SST
12	1	05010692	BOLT .500-13 x 1.75 G8 HHCS ZC
12	1	05016204	BOLT .500-13 x 1.75 HHCS SST
13	9	05010644	BOLT .375-16 x 1.25 G8 HHCS ZC
13	9	05016049	BOLT .375-16 x 1.25 HHCS SST
14	42	05010593	BOLT .250-20 x 1.00 G8 HHCS ZC
14	42	05016040	BOLT .250-20 x 1.00 HHCS SST
15	7	05020847	NUT .500-13 GC TOPLOCK C&W
15	7	05020908	NUT .500-13 NYLON LOCK 316 SST
16	9	05020898	NUT .375-16 GC TOPLOCK C&W
16	9	05020891	NUT .375-16 NYLON LOCK 316 SST
17	42	05020899	NUT .250-20 GC TOPLOCK C&W
17	42	05020906	NUT .250-20 NYLON LOCK 316 SST
18	4	05021311	WASHER .625 FLAT ZC
18	4	05021406	WASHER .625 FLAT SST
19	10	05021309	WASHER .500 FLAT ZC
19	10	05021391	WASHER .500 FLAT SST
20	18	05021307	WASHER .375 FLAT ZC
20	18	05021390	WASHER .375 FLAT SST
21	84	05021305	WASHER .250 FLAT ZC
21	84	05021403	WASHER .250 FLAT SST



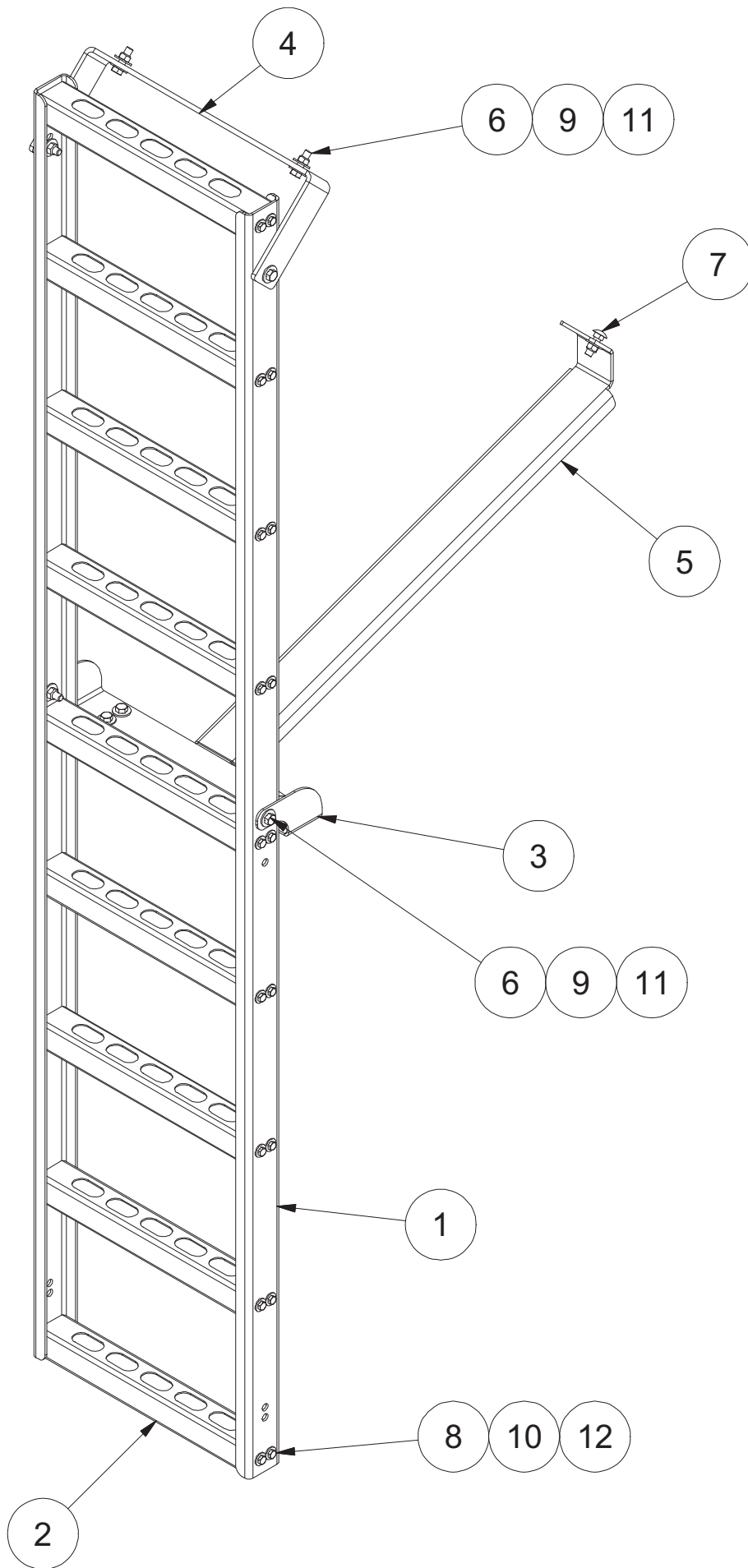
**00135097 LADDER KIT, MCV, RR MOUNT**

ITEM	QTY	PART NUMBER	DESCRIPTION
1	1	00135096-A	BRACKET,LADDER MT,MCV,1PC,MS
1	1	00135096-B	BRACKET,LADDER MT,MCV,1PC,304
1	1	00135096-C	BRACKET,LADDER MT,MCV,1PC,AUSS
2	2	00135095-A	RAIL,LADDER,MCV,1PC,MS
2	2	00135095-B	RAIL,LADDER,MCV,1PC,304
2	2	00135095-C	RAIL,LADDER,MCV,1PC,AUSST
3	1	00135068-A	MTG PL,LADDER,MCV,RR MT,MS
3	1	00135068-B	MTG PL,LADDER,MCV,RR MT,304
3	1	00135068-B	MTG PL,LADDER,MCV,RR MT,304
4	9	00131698-A	RUNG,LADDER,RDS,MS
4	9	00131698-B	RUNG,LADDER,RDS,304
4	9	00131698-B	RUNG,LADDER,RDS,304
5	1	00135288-A	SUPPORT CHAN,LADDER,MCV,RR MT
5	1	00135288-B	SUPPORT CHAN,LADDER.MCV,RR,MT
5	1	00135288-C	SUPPORT CHAN,LADDER.MCV,RR,MT
6	1	00145911-A	BRACE,LADDER,MCV,RR MT,MS
6	1	00145911-B	BRACE,LADDER,MCV,RR MT,304
6	1	00145911-C	BRACE,LADDER,MCV,RR MT,AUSST
7	1	05010692	BOLT .500-13 x 1.75 G8 HHCS ZC
7	1	05016204	BOLT .500-13 x 1.75 HHCS SST
8	13	05010644	BOLT .375-16 x 1.25 G8 HHCS ZC
8	13	05016049	BOLT .375-16 x 1.25 HHCS SST
9	36	05010593	BOLT .250-20 x 1.00 G8 HHCS ZC
9	36	05016040	BOLT .250-20 x 1.00 HHCS SST
10	1	05020847	NUT .500-13 GC TOPLOCK C&W
10	1	05020908	NUT .500-13 NYLON LOCK 316 SST
11	13	05020898	NUT .375-16 GC TOPLOCK C&W
11	13	05020891	NUT .375-16 NYLON LOCK 316 SST
12	36	05020899	NUT .250-20 GC TOPLOCK C&W
12	36	05020906	NUT .250-20 NYLON LOCK 316 SST
13	2	05021309	WASHER .500 FLAT ZC
13	2	05021391	WASHER .500 FLAT SST
14	26	05021307	WASHER .375 FLAT ZC
14	26	05021390	WASHER .375 FLAT SST
15	72	05021305	WASHER .250 FLAT ZC
15	72	05021403	WASHER .250 FLAT SST



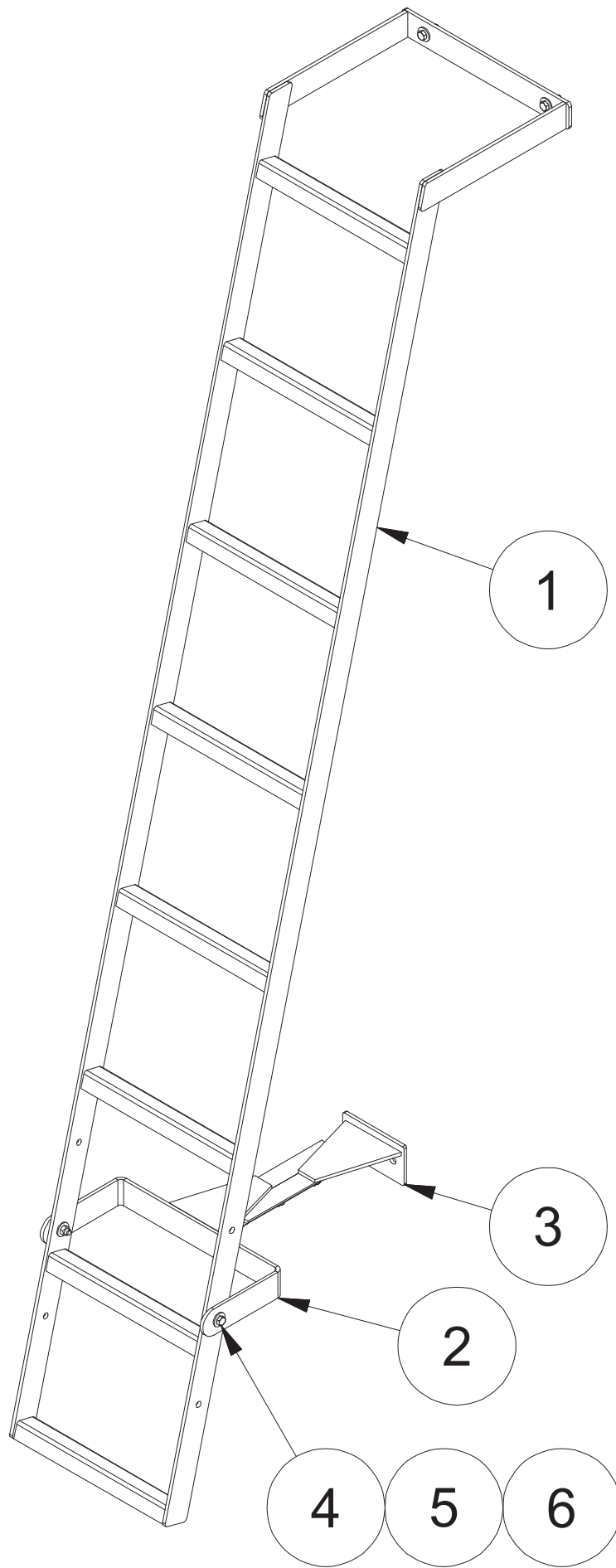
**00137706 LADDER KIT, MCV, SIDE MOUNT SWING UP**

ITEM	QTY	PART NUMBER	DESCRIPTION
1	2	00135066-A	RAIL,SIDE,LADDER,MCV,LWR,MS
1	2	00135066-B	RAIL,SIDE,LADDER,MCV,LWR,304
1	2	00135066-C	RAIL,SIDE,LADDER,MCV,LWR,AUSST
2	9	00131698-A	RUNG,LADDER,RDS,MS
2	9	00131698-B	RUNG,LADDER,RDS,304
2	9	00131698-B	RUNG,LADDER,RDS,304
3	1	00131697-A	HINGE PL,LADDER,RDS,MS
3	1	00131697-B	HINGE PL,LADDER,RDS,304
3	1	00131697-C	HINGE PL,LADDER,RDS,AUSST
4	2	00135065-A	RAIL,SIDE,LADDER,MCV,UPR,MS
4	2	00135065-B	RAIL,SIDE,LADDER,MCV,UPR,304
4	2	00135065-C	RAIL,SIDE,LADDER,MCV,UPR,AUSST
5	1	00131699-A	LATCH BRACKET,LADDER,RDS,MS
5	1	00131699-B	LATCH BRACKET,LADDER,RDS,304
5	1	00131699-C	LATCH BRACKET,LADDER,RDS,AUSST
6	1	05050289	LATCH,SPRING,1/2" PIN
7	1	00135068-A	MTG PL,LADDER,MCV,RR MT,MS
7	1	00135068-B	MTG PL,LADDER,MCV,RR MT,304
8	1	00137719-A	BRACE,LADDER,MCV,SD MT,SWG-UP
8	1	00137719-B	BRACE,LADDER,MCV,SD MT,SWG-UP
8	1	00137719-C	BRACE,LADDER,MCV,SD MT,SWG-UP
9	2	05017048	BOLT .500-13x.750,.625x.625
10	4	05010691	BOLT .500-13 x 1.50 G8 HHCS ZC
10	4	05016096	BOLT .500-13 x 1.50 HHCS SST
11	6	05010644	BOLT .375-16 x 1.25 G8 HHCS ZC
11	6	05016049	BOLT .375-16 x 1.25 HHCS SST
12	1	05013987	BOLT .375-16 x 1.25 G5 CRG ZC
12	1	05016746	BOLT .375-16 x 1.25 CRG SST
13	42	05010593	BOLT .250-20 x 1.00 G8 HHCS ZC
13	42	05016040	BOLT .250-20 x 1.00 HHCS SST
14	6	05020847	NUT .500-13 GC TOPLOCK C&W
14	6	05020908	NUT .500-13 NYLON LOCK 316 SST
15	7	05020898	NUT .375-16 GC TOPLOCK C&W
15	7	05020891	NUT .375-16 NYLON LOCK 316 SST
16	42	05020899	NUT .250-20 GC TOPLOCK C&W
16	42	05020906	NUT .250-20 NYLON LOCK 316 SST
17	4	05021311	WASHER .625 FLAT ZC
17	4	05021406	WASHER .625 FLAT SST
18	8	05021309	WASHER .500 FLAT ZC
18	8	05021391	WASHER .500 FLAT SST
19	13	05021307	WASHER .375 FLAT ZC
19	13	05021390	WASHER .375 FLAT SST
20	84	05021305	WASHER .250 FLAT ZC
20	84	05021403	WASHER .250 FLAT SST



**00137710 LADDER KIT,MCV, SIDE MOUNT**

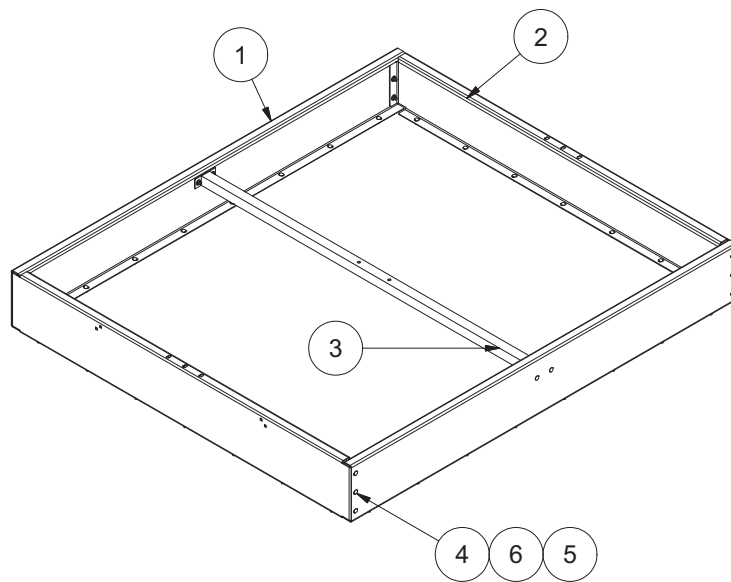
ITEM	QTY	PART NUMBER	DESCRIPTION
1	2	00135095-A	RAIL,LADDER,MCV,1PC,MS
1	2	00135095-B	RAIL,LADDER,MCV,1PC,304
1	2	00135095-C	RAIL,LADDER,MCV,1PC,AUSS
2	9	00131698-A	RUNG,LADDER,RDS,MS
2	9	00131698-B	RUNG,LADDER,RDS,304
2	9	00131698-B	RUNG,LADDER,RDS,304
3	1	00135096-A	BRACKET,LADDER MT,MCV,1PC,MS
3	1	00135096-B	BRACKET,LADDER MT,MCV,1PC,304
3	1	00135096-C	BRACKET,LADDER MT,MCV,1PC,AUSS
4	1	00135068-A	MTG PL,LADDER,MCV,RR MT,MS
4	1	00135068-B	MTG PL,LADDER,MCV,RR MT,304
5	1	00137720-A	BRACE,LADDER,MCV,SD MT
5	1	00137720-B	BRACE,LADDER,MCV,SD MT
5	1	00137720-C	BRACE,LADDER,MCV,SD MT
6	10	05010644	BOLT .375-16 x 1.25 G8 HHCS ZC
6	10	05016049	BOLT .375-16 x 1.25 HHCS SST
7	1	05013987	BOLT .375-16 x 1.25 G5 CRG ZC
7	1	05016746	BOLT .375-16 x 1.25 CRG SST
8	36	05010593	BOLT .250-20 x 1.00 G8 HHCS ZC
8	36	05016040	BOLT .250-20 x 1.00 HHCS SST
9	11	05020898	NUT .375-16 GC TOPLOCK C&W
9	11	05020891	NUT .375-16 NYLON LOCK 316 SST
10	36	05020899	NUT .250-20 GC TOPLOCK C&W
10	36	05020906	NUT .250-20 NYLON LOCK 316 SST
11	21	05021307	WASHER .375 FLAT ZC
11	21	05021390	WASHER .375 FLAT SST
12	72	05021305	WASHER .250 FLAT ZC
12	72	05021403	WASHER .250 FLAT SST





**00136580 LADDER KIT, MCV, COMBO**

ITEM	QTY	PART NUMBER	DESCRIPTION
1	1	00136579-A	LADDER WLDMT,MCV,COMBO,MS
1	1	00136579-B	LADDER WLDMT,MCV,COMBO,304
2	1	00086368-A	BRACE WLDMT,LADDER,MV/MSV,FR
2	1	00086368-B	BRACE WLDMT,LADDER,MV/MSV,FR
3	1	00086369-A	BRACE WLDMT,LADDER,MV/MSV,RR
3	1	00086369-B	BRACE WLDMT,LADDER,MV/MSV,RR
4	6	05010644	BOLT .375-16 x 1.25 G8 HHCS ZC
4	6	05016049	BOLT .375-16 x 1.25 HHCS, SST
5	6	05020898	NUT .375-16 GC TOPLOCK C&W
5	6	05020891	NUT .375-16 NYLON LOCK, 316 SST
6	12	05021307	WASHER .375 FLAT ZC
6	12	05021390	WASHER .375 FLAT ZC



### 00142307 EXTENSION KIT, MCV, SIDE, 96X84X12, 10GA

Item	Qty.	Part Number	Description
1	2	00142300-A 00142300-B 00142300-C	EXTENSION, SD PANEL, MCV, 96X12, MS EXTENSION, SD PANEL, MCV, 96X12, 304SST EXTENSION, SD PANEL, MCV, 96X12, AUSST
2	2	00135057-A 00135057-B 00135057-C	EXERTION, FR/RR PANEL, MCV, 84X12, MS EXERTION, FR/RR PANEL, MCV, 84X12, 304SST EXERTION, FR/RR PANEL, MCV, 84X12, AUSST
3	1	00135286-A 00135286-B 00135286-C	CROSS ANGLE WELDMENT, MCV, BM MT, MS CROSS ANGLE WELDMENT, MCV, BM MT, 304SST CROSS ANGLE WELDMENT, MCV, BM MT, AUSST
4	46	05013986 05016003	BOLT, .375-16 X 1, G5, CARRIAGE, ZINC BOLT, .375-16 X 1, CARRIAGE, SST
5	46	05021307 05021390	WASHER, .375, FLAT, ZINC WASHER, .375, FLAT, SST
6	46	05020898 05020891	NUT, .375-16, GC, TOP LOCK, C&W NUT, .375-16, NYLON LOCK, 316 SST

### 00142308 EXTENSION KIT, MCV, SIDE, 108X84X12, 10GA

Item	Qty.	Part Number	Description
1	2	00142301-A 00142301-B 00142301-C	EXTENSION, SD PANEL, MCV, 108X12, MS EXTENSION, SD PANEL, MCV, 108X12, 304SST EXTENSION, SD PANEL, MCV, 108X12, AUSST
2	2	00135057-A 00135057-B 00135057-C	EXERTION, FR/RR PANEL, MCV, 84X12, MS EXERTION, FR/RR PANEL, MCV, 84X12, 304SST EXERTION, FR/RR PANEL, MCV, 84X12, AUSST
3	1	00135286-A 00135286-B 00135286-C	CROSS ANGLE WELDMENT, MCV, BM MT, MS CROSS ANGLE WELDMENT, MCV, BM MT, 304SST CROSS ANGLE WELDMENT, MCV, BM MT, AUSST
4	48	05013986 05016003	BOLT, .375-16 X 1, G5, CARRIAGE, ZINC BOLT, .375-16 X 1, CARRIAGE, SST
5	48	05021307 05021390	WASHER, .375, FLAT, ZINC WASHER, .375, FLAT, SST
6	48	05020898 05020891	NUT, .375-16, GC, TOP LOCK, C&W NUT, .375-16, NYLON LOCK, 316 SST

**00135058 EXTENSION KIT, MCV, SIDE, 120X84X12, 10GA**

Item	Qty.	Part Number	Description
1	2	00135056-A 00135056-B 00135056-C	EXTENSION, SD PANEL, MCV, 120X12, MS EXTENSION, SD PANEL, MCV, 120X12, 304SST EXTENSION, SD PANEL, MCV, 120X12, AUSST
2	2	00135057-A 00135057-B 00135057-C	EXERTION, FR/RR PANEL, MCV, 84X12, MS EXERTION, FR/RR PANEL, MCV, 84X12, 304SST EXERTION, FR/RR PANEL, MCV, 84X12, AUSST
3	1	00135286-A 00135286-B 00135286-C	CROSS ANGLE WELDMENT, MCV, BM MT, MS CROSS ANGLE WELDMENT, MCV, BM MT, 304SST CROSS ANGLE WELDMENT, MCV, BM MT, AUSST
4	50	05013986 05016003	BOLT, .375-16 X 1, G5, CARRIAGE, ZINC BOLT, .375-16 X 1, CARRIAGE, SST
5	50	05021307 05021390	WASHER, .375, FLAT, ZINC WASHER, .375, FLAT, SST
6	50	05020898 05020891	NUT, .375-16, GC, TOP LOCK, C&W NUT, .375-16, NYLON LOCK, 316 SST

**00142309 EXTENSION KIT, MCV, SIDE, 132X84X12, 10GA**

Item	Qty.	Part Number	Description
1	2	00142302-A 00142302-B 00142302-C	EXTENSION, SD PANEL, MCV, 132X12, MS EXTENSION, SD PANEL, MCV, 132X12, 304SST EXTENSION, SD PANEL, MCV, 132X12, AUSST
2	2	00135057-A 00135057-B 00135057-C	EXERTION, FR/RR PANEL, MCV, 84X12, MS EXERTION, FR/RR PANEL, MCV, 84X12, 304SST EXERTION, FR/RR PANEL, MCV, 84X12, AUSST
3	1	00135286-A 00135286-B 00135286-C	CROSS ANGLE WELDMENT, MCV, BM MT, MS CROSS ANGLE WELDMENT, MCV, BM MT, 304SST CROSS ANGLE WELDMENT, MCV, BM MT, AUSST
4	52	05013986 05016003	BOLT, .375-16 X 1, G5, CARRIAGE, ZINC BOLT, .375-16 X 1, CARRIAGE, SST
5	52	05021307 05021390	WASHER, .375, FLAT, ZINC WASHER, .375, FLAT, SST
6	52	05020898 05020891	NUT, .375-16, GC, TOP LOCK, C&W NUT, .375-16, NYLON LOCK, 316 SST

**00142310 EXTENSION KIT, MCV, SIDE, 144X84X12, 10GA**

Item	Qty.	Part Number	Description
1	2	00142303-A 00142303-B 00142303-C	EXTENSION, SD PANEL, MCV,144X12
2	2	00135057-A 00135057-B 00135057-C	EXERTION, FR/RR PANEL, MCV, 84X12, MS EXERTION, FR/RR PANEL, MCV, 84X12, 304SST EXERTION, FR/RR PANEL, MCV, 84X12, AUSST
3	1	00135286-A 00135286-B 00135286-C	CROSS ANGLE WELDMENT, MCV, BM MT, MS CROSS ANGLE WELDMENT, MCV, BM MT, 304SST CROSS ANGLE WELDMENT, MCV, BM MT, AUSST
4	54	05013986 05016003	BOLT, .375-16 X 1, G5, CARRIAGE, ZINC BOLT, .375-16 X 1, CARRIAGE, SST
5	54	05021307 05021390	WASHER, .375, FLAT, ZINC WASHER, .375, FLAT, SST
6	54	05020898 05020891	NUT, .375-16, GC, TOP LOCK, C&W NUT, .375-16, NYLON LOCK, 316 SST

**00142311 EXTENSION KIT, MCV, SIDE, 156X84X12, 10GA**

Item	Qty.	Part Number	Description
1	2	00142304-A 00142304-B 00142304-C	EXTENSION, SD PANEL, MCV, 156X12, MS EXTENSION, SD PANEL, MCV, 156X12, 304SST EXTENSION, SD PANEL, MCV, 156X12, AUSST
2	2	00135057-A 00135057-B 00135057-C	EXERTION, FR/RR PANEL, MCV, 84X12, MS EXERTION, FR/RR PANEL, MCV, 84X12, 304SST EXERTION, FR/RR PANEL, MCV, 84X12, AUSST
3	1	00135286-A 00135286-B 00135286-C	CROSS ANGLE WELDMENT, MCV, BM MT, MS CROSS ANGLE WELDMENT, MCV, BM MT, 304SST CROSS ANGLE WELDMENT, MCV, BM MT, AUSST
4	56	05013986 05016003	BOLT, .375-16 X 1, G5, CARRIAGE, ZINC BOLT, .375-16 X 1, CARRIAGE, SST
5	56	05021307 05021390	WASHER, .375, FLAT, ZINC WASHER, .375, FLAT, SST
6	56	05020898 05020891	NUT, .375-16, GC, TOP LOCK, C&W NUT, .375-16, NYLON LOCK, 316 SST

**00142312 EXTENSION KIT, MCV, SIDE, 168X84X12, 10GA**

Item	Qty.	Part Number	Description
1	2	00142305-A 00142305-B 00142305-C	EXTENSION, SD PANEL, MCV, 168X12, MS EXTENSION, SD PANEL, MCV, 168X12, 304SST EXTENSION, SD PANEL, MCV, 168X12, AUSST
2	2	00135057-A 00135057-B 00135057-C	EXERTION, FR/RR PANEL, MCV, 84X12, MS EXERTION, FR/RR PANEL, MCV, 84X12, 304SST EXERTION, FR/RR PANEL, MCV, 84X12, AUSST
3	1	00135286-A 00135286-B 00135286-C	CROSS ANGLE WELDMENT, MCV, BM MT, MS CROSS ANGLE WELDMENT, MCV, BM MT, 304SST CROSS ANGLE WELDMENT, MCV, BM MT, AUSST
4	62	05013986 05016003	BOLT, .375-16 X 1, G5, CARRIAGE, ZINC BOLT, .375-16 X 1, CARRIAGE, SST
5	62	05021307 05021390	WASHER, .375, FLAT, ZINC WASHER, .375, FLAT, SST
6	62	05020898 05020891	NUT, .375-16, GC, TOP LOCK, C&W NUT, .375-16, NYLON LOCK, 316 SST

**00142313 EXTENSION KIT, MCV, SIDE, 180X84X12, 10GA**

Item	Qty.	Part Number	Description
1	2	00142306-A 00142306-B 00142306-C	EXTENSION, SD PANEL, MCV, 180X12, MS EXTENSION, SD PANEL, MCV, 180X12, 304SST EXTENSION, SD PANEL, MCV, 180X12, AUSST
2	2	00135057-A 00135057-B 00135057-C	EXERTION, FR/RR PANEL, MCV, 84X12, MS EXERTION, FR/RR PANEL, MCV, 84X12, 304SST EXERTION, FR/RR PANEL, MCV, 84X12, AUSST
3	1	00135286-A 00135286-B 00135286-C	CROSS ANGLE WELDMENT, MCV, BM MT, MS CROSS ANGLE WELDMENT, MCV, BM MT, 304SST CROSS ANGLE WELDMENT, MCV, BM MT, AUSST
4	64	05013986 05016003	BOLT, .375-16 X 1, G5, CARRIAGE, ZINC BOLT, .375-16 X 1, CARRIAGE, SST
5	64	05021307 05021390	WASHER, .375, FLAT, ZINC WASHER, .375, FLAT, SST
6	64	05020898 05020891	NUT, .375-16, GC, TOP LOCK, C&W NUT, .375-16, NYLON LOCK, 316 SST

## ADJUSTER KIT, CNVR, V-BOX, RR, MS OR SS HDW

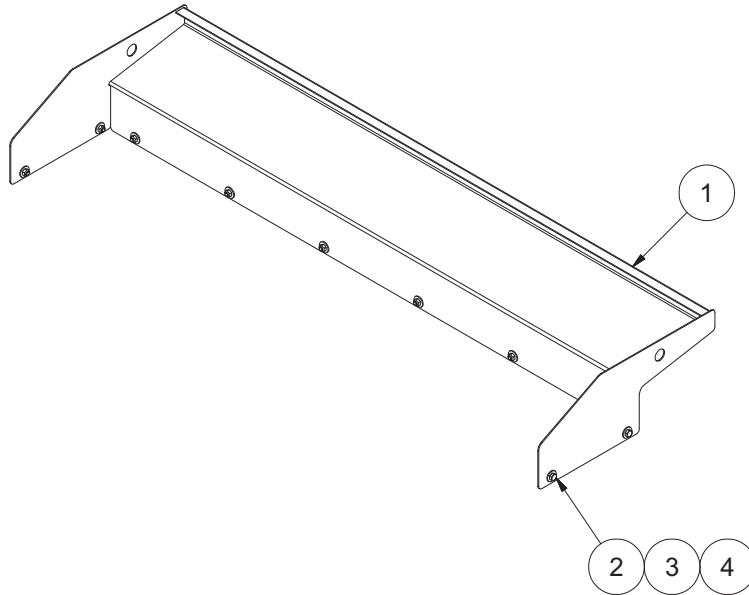
Item	Qty.	Part Number	Description
1	2	00096183-A	ADJUSTER WELDMENT, CNVR CH, V-BOX, 7', MS
		00096183-B	ADJUSTER WELDMENT, CNVR CH, V-BOX, 7', SST
		00096184-A	ADJUSTER WELDMENT, CNVR CH, V-BOX, 8', MS
		00096184-B	ADJUSTER WELDMENT, CNVR CH, V-BOX, 8', SST
		00096185-A	ADJUSTER WELDMENT, CNVR CH, V-BOX, 9', MS
		00096185-B	ADJUSTER WELDMENT, CNVR CH, V-BOX, 9', SST
		00096186-A	ADJUSTER WELDMENT, CNVR CH, V-BOX, 10',MS
		00096186-B	ADJUSTER WELDMENT, CNVR CH, V-BOX, 10', SST
		00096187-A	ADJUSTER WELDMENT, CNVR CH, V-BOX, 11', MS
		00096187-B	ADJUSTER WELDMENT, CNVR CH, V-BOX, 11', SST
		00096188-A	ADJUSTER WELDMENT, CNVR CH, V-BOX, 12', MS
		00096188-B	ADJUSTER WELDMENT, CNVR CH, V-BOX, 12', SST
		00096189-A	ADJUSTER WELDMENT, CNVR CH, V-BOX, 13', MS
		00096189-B	ADJUSTER WELDMENT, CNVR CH, V-BOX, 13', SST
		00096190-A	ADJUSTER WELDMENT, CNVR CH, V-BOX, 14', MS
		00096190-B	ADJUSTER WELDMENT, CNVR CH, V-BOX, 14', SST
		00096191-A	ADJUSTER WELDMENT, CNVR CH, V-BOX, 15', MS
		00096191-B	ADJUSTER WELDMENT, CNVR CH, V-BOX, 15', SST
		00096192-A	ADJUSTER WELDMENT, CNVR CH, V-BOX, 16', MS
		00096192-B	ADJUSTER WELDMENT, CNVR CH, V-BOX, 16', SST
00096193-A	ADJUSTER WELDMENT, CNVR CH, V-BOX, 17', MS		
00096193-B	ADJUSTER WELDMENT, CNVR CH, V-BOX, 17', SST		
00096194-A	ADJUSTER WELDMENT, CNVR CH, V-BOX, 18', MS		
00096194-B	ADJUSTER WELDMENT, CNVR CH, V-BOX, 18', SST		
2	4	05020123	NUT, .750-10, G2, JAM, ZINC
		05020803	NUT, .750-10, JAM, SS

## ADJUSTER KIT, CNVR, V-BOX, COMBO, MS OR SS HDW

Item	Qty.	Part Number	Description
1	2	00138979-A	ADJUSTER WELDMENT, CNVR, V-BOX, 8', MS
		00138979-B	ADJUSTER WELDMENT, CNVR, V-BOX, 8', SST
		00138980-A	ADJUSTER WELDMENT, CNVR, V-BOX, 9', MS
		00138980-B	ADJUSTER WELDMENT, CNVR, V-BOX, 9', SST
		00138981-A	ADJUSTER WELDMENT, CNVR, V-BOX, 10', MS
		00138981-B	ADJUSTER WELDMENT, CNVR, V-BOX, 10', SST
		00138982-A	ADJUSTER WELDMENT, CNVR, V-BOX, 11', MS
		00138982-B	ADJUSTER WELDMENT, CNVR, V-BOX, 11', SST
		00138983-A	ADJUSTER WELDMENT, CNVR, V-BOX, 12', MS
		00138983-B	ADJUSTER WELDMENT, CNVR, V-BOX, 12', SST
		00138984-A	ADJUSTER WELDMENT, CNVR, V-BOX, 13', MS
		00138984-B	ADJUSTER WELDMENT, CNVR, V-BOX, 13', SST
		00138985-A	ADJUSTER WELDMENT, CNVR, V-BOX, 14', MS
		00138985-B	ADJUSTER WELDMENT, CNVR, V-BOX, 14', SST
		00138986-A	ADJUSTER WELDMENT, CNVR, V-BOX, 15', MS
		00138986-B	ADJUSTER WELDMENT, CNVR, V-BOX, 15', SST
		00138987-A	ADJUSTER WELDMENT, CNVR, V-BOX, 16', MS
		00138987-B	ADJUSTER WELDMENT, CNVR, V-BOX, 16', SST
		00138988-A	ADJUSTER WELDMENT, CNVR, V-BOX, 17', MS
		00138988-B	ADJUSTER WELDMENT, CNVR, V-BOX, 17', SST
00138989-A	ADJUSTER WELDMENT, CNVR, V-BOX, 18', MS		
00138989-B	ADJUSTER WELDMENT, CNVR, V-BOX, 18', SST		
2	4	05020123	NUT, .750-10, G2, JAM, ZINC
		05020803	NUT, .750-10, JAM, SS

## BEARING GREASE EXT KIT, FR-RR

Item	Qty.	Part Number	Description
1	2	00053181-A	BRACKET, EXT, MS
2	2	05051481	ADAPTER, GREASE LINE, 14-28 UNF
3	2	05050003	GREASE FITTING, .125 NPT STRAIGHT
4	2	05037660	COUPLING, .125" NPT, GALV
5	2	05039821 05037085 05037086 05037087 05037088 05037089 05037090 05037091 05037092 05038077 05038612	HOSE ASSEMBLY, GREASE EXT/REAR 8' HOSE ASSEMBLY, GREASE EXT/REAR, 9' HOSE ASSEMBLY, GREASE EXT/REAR, 10' HOSE ASSEMBLY, GREASE EXT/REAR, 11' HOSE ASSEMBLY, GREASE EXT/REAR, 12' HOSE ASSEMBLY, GREASE EXT/REAR, 13' HOSE ASSEMBLY, GREASE EXT/REAR, 14' HOSE ASSEMBLY, GREASE EXT/REAR, 15' HOSE ASSEMBLY, GREASE EXT/REAR, 16' HOSE ASSEMBLY, GREASE EXT/REAR, 17' HOSE ASSEMBLY, GREASE EXT/REAR, 18'
6	2	05052475	CLAMP, .375" CUSHIONED METAL, #6, .5" WIDE, SST
7	4	05016942	SCREW, TEK #10-16X.75" 410 SST
8	----	05050744	BUSHING, OPEN/CLOSED, SNAP, .453 ID



### CABSHIELD KITS

Item	Qty.	Part Number	Description
1	1	00135061-A 00135061-B 00135061-C 00145307-A 00145307-B 00145307-C 00141765-A 00141765-B 00141765-C	CABSHIELD WELDMENT, MCV, 4X12X84, MS CABSHIELD WELDMENT, MCV, 4X12X84, 304SST CABSHIELD WELDMENT, MCV, 4X12X84, AUSST CABSHIELD WELDMENT, MCV, 4X24X84, MS CABSHIELD WELDMENT, MCV, 4X24X84, 304SST CABSHIELD WELDMENT, MCV, 4X24X84, AUSST CABSHIELD WELDMENT, MCV, 14X24X84, MS CABSHIELD WELDMENT, MCV, 14X24X84, 304SST CABSHIELD WELDMENT, MCV, 14X24X84, AUSST
2	10	05010689 05016047	BOLT, .5-13 X 1, G8, HHCS, ZINC BOLT, .5-13 X 1, HHCS, SST
3	10	05020847 05020908	NUT, .5-13, GC, TOP LOCK, C&W NUT, .5-13, NYLON LOCK, 316 SST
4	20	05021309 05021391	WASHER, .5, FLAT, ZINC WASHER, .5, FLAT, SST

**00056835 PIPE KIT, CHASSIS MT, 9'**

Item	Qty.	Part Number	Description
1	1	05038026	TUBE, STEEL, 1.250, 84" OAL
2	2	05038025	TUBE, STEEL, .750, 84" OAL
3	4	05050093	CLAMP, UHMW, 2 PIECE, 1" X 2" X 7"
4	12	05010653 05016046	BOLT, .375-16 X 3.5, G8, HHCS, ZINC BOLT, .375-16 X 3.5, HHCS, SST
5	12	05020898 05020891	NUT, .375-16, TOP LOCK, C&W, GR C NUT, .375-16, NYLON LOCK, SST
6	24	05021307 05021390	WASHER, .375, FLAT, ZINC WASHER, .375, FLAT, SST

**00056836 PIPE KIT, CHASSIS MT, 10'**

Item	Qty.	Part Number	Description
1	1	05037418	TUBE, STEEL, 1.250, 96" OAL
2	2	05037417	TUBE, STEEL, .750, 96" OAL
3	4	05050093	CLAMP, UHMW, 2 PIECE, 1" X 2" X 7"
4	12	05010653 05016046	BOLT, .375-16 X 3.5, G8, HHCS, ZINC BOLT, .375-16 X 3.5, HHCS, SST
5	12	05020898 05020891	NUT, .375-16, TOP LOCK, C&W, GR C NUT, .375-16, NYLON LOCK, SST
6	24	05021307 05021390	WASHER, .375, FLAT, ZINC WASHER, .375, FLAT, SST

**00056837 PIPE KIT, CHASSIS MT, 11'**

Item	Qty.	Part Number	Description
1	1	05051209	TUBE, STEEL, 1.250, 108" OAL
2	2	05051208	TUBE, STEEL, .750, 108" OAL
3	5	05050093	CLAMP, UHMW, 2 PIECE, 1" X 2" X 7"
4	15	05010653 05016046	BOLT, .375-16 X 3.5, G8, HHCS, ZINC BOLT, .375-16 X 3.5, HHCS, SST
5	15	05020898 05020891	NUT, .375-16, TOP LOCK, C&W, GR C NUT, .375-16, NYLON LOCK, SST
6	30	05021307 05021390	WASHER, .375, FLAT, ZINC WASHER, .375, FLAT, SST



**00056838 PIPE KIT, CHASSIS MT, 12'**

Item	Qty.	Part Number	Description
1	1	05037427	TUBE, STEEL, 1.250, 120" OAL
2	2	05037426	TUBE, STEEL, .750, 120" OAL
3	5	05050093	CLAMP, UHMW, 2 PIECE, 1" X 2" X 7"
4	15	05010653 05016046	BOLT, .375-16 X 3.5, G8, HHCS, ZINC BOLT, .375-16 X 3.5, HHCS, SST
5	15	05020898 05020891	NUT, .375-16, TOP LOCK, C&W, GR C NUT, .375-16, NYLON LOCK, SST
6	30	05021307 05021390	WASHER, .375, FLAT, ZINC WASHER, .375, FLAT, SST

**00056839 PIPE KIT, CHASSIS MT, 13'**

Item	Qty.	Part Number	Description
1	1	05051211	TUBE, STEEL, 1.250, 132" OAL
2	2	05051210	TUBE, STEEL, .750, 132" OAL
3	6	05050093	CLAMP, UHMW, 2 PIECE, 1" X 2" X 7"
4	18	05010653 05016046	BOLT, .375-16 X 3.5, G8, HHCS, ZINC BOLT, .375-16 X 3.5, HHCS, SST
5	18	05020898 05020891	NUT, .375-16, TOP LOCK, C&W, GR C NUT, .375-16, NYLON LOCK, SST
6	36	05021307 05021390	WASHER, .375, FLAT, ZINC WASHER, .375, FLAT, SST

**00056840 PIPE KIT, CHASSIS MT, 14'**

Item	Qty.	Part Number	Description
1	1	05037034	TUBE, STEEL, 1.250, 144" OAL
2	2	05037035	TUBE, STEEL, .750, 144" OAL
3	6	05050093	CLAMP, UHMW, 2 PIECE, 1" X 2" X 7"
4	18	05010653 05016046	BOLT, .375-16 X 3.5, G8, HHCS, ZINC BOLT, .375-16 X 3.5, HHCS, SST
5	18	05020898 05020891	NUT, .375-16, TOP LOCK, C&W, GR C NUT, .375-16, NYLON LOCK, SST
6	36	05021307 05021390	WASHER, .375, FLAT, ZINC WASHER, .375, FLAT, SST

**00056841 PIPE KIT, CHASSIS MT, 15'**

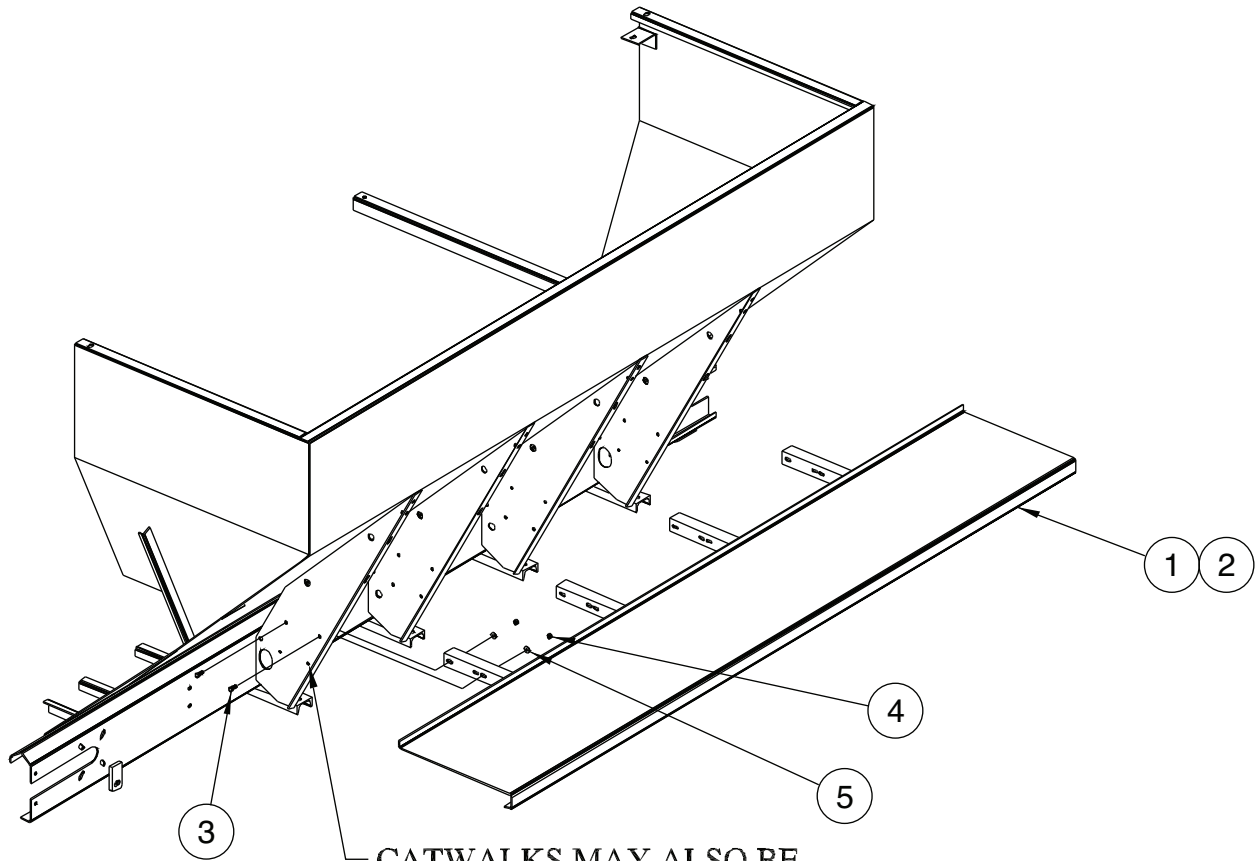
Item	Qty.	Part Number	Description
1	1	05050027	TUBE, STEEL, 1.250, 158" OAL
2	2	05050026	TUBE, STEEL, .750, 158" OAL
3	7	05050093	CLAMP, UHMW, 2 PIECE, 1" X 2" X 7"
4	21	05010653 05016046	BOLT, .375-16 X 3.5, G8, HHCS, ZINC BOLT, .375-16 X 3.5, HHCS, SST
5	21	05020898 05020891	NUT, .375-16, TOP LOCK, C&W, GR C NUT, .375-16, NYLON LOCK, SST
6	42	05021307 05021390	WASHER, .375, FLAT, ZINC WASHER, .375, FLAT, SST

**00056842 PIPE KIT, CHASSIS MT, 16'**

Item	Qty.	Part Number	Description
1	1	05050266	TUBE, STEEL, 1.250, 168" OAL
2	2	05050265	TUBE, STEEL, .750, 168" OAL
3	7	05050093	CLAMP, UHMW, 2 PIECE, 1" X 2" X 7"
4	21	05010653 05016046	BOLT, .375-16 X 3.5, G8, HHCS, ZINC BOLT, .375-16 X 3.5, HHCS, SST
5	21	05020898 05020891	NUT, .375-16, TOP LOCK, C&W, GR C NUT, .375-16, NYLON LOCK, SST
6	42	05021307 05021390	WASHER, .375, FLAT, ZINC WASHER, .375, FLAT, SST

**00056843 PIPE KIT, CHASSIS MT, 17'**

Item	Qty.	Part Number	Description
1	1	05038141	TUBE, STEEL, 1.250, 180" OAL
2	2	05038140	TUBE, STEEL, .750, 180" OAL
3	8	05050093	CLAMP, UHMW, 2 PIECE, 1" X 2" X 7"
4	24	05010653 05016046	BOLT, .375-16 X 3.5, G8, HHCS, ZINC BOLT, .375-16 X 3.5, HHCS, SST
5	24	05020898 05020891	NUT, .375-16, TOP LOCK, C&W, GR C NUT, .375-16, NYLON LOCK, SST
6	48	05021307 05021390	WASHER, .375, FLAT, ZINC WASHER, .375, FLAT, SST



CATWALKS MAY ALSO BE MOUNTED IN LOWER HOLES IF DESIRED.

<b>00042903 CATWALK KIT, 8'-9', PAIR</b>			
<b>Item</b>	<b>Qty</b>	<b>Part Number</b>	<b>Description</b>
1	1	00146206-A	CATWALK WELDMENT, V-BOX, RH, FL PL, MS
		00146206-B	CATWALK WELDMENT, V-BOX, RH, FL PL, 304SST
		00146206-C	CATWALK WELDMENT, V-BOX, RH, FL PL, AUSST
2	1	00146212-A	CATWALK WELDMENT, V-BOX, LH, FL PL, MS
		00146212-B	CATWALK WELDMENT, V-BOX, LH, FL PL, 304SST
		00146212-C	CATWALK WELDMENT, V-BOX, LH, FL PL, AUSST
3	12	05010643	BOLT, .375-16 X 1, G8, HHCS, ZINC
		05016034	BOLT, .375-16 X 1, HHCS, SST
4	12	05020898	NUT, .375-16, GC, TOP LOCK, C&W
		05020891	NUT, .375-16, NYLON LOCK, 316 SST
5	24	05021307	WASHER, .375, FLAT, ZINC
		05021390	WASHER, .375, FLAT, SST

**00042905 CATWALK KIT, 10'-11', PAIR**

Item	Qty	Part Number	Description
1	1	00146207-A	CATWALK WELDMENT, V-BOX, RH, FL PL, MS
		00146207-B	CATWALK WELDMENT, V-BOX, RH, FL PL, 304SST
		00146207-C	CATWALK WELDMENT, V-BOX, RH, FL PL, AUSST
2	1	00146213-A	CATWALK WELDMENT, V-BOX, LH, FL PL, MS
		00146213-B	CATWALK WELDMENT, V-BOX, LH, FL PL, 304SST
		00146213-C	CATWALK WELDMENT, V-BOX, LH, FL PL, AUSST
3	16	05010643	BOLT, .375-16 X 1, G8, HHCS, ZINC
		05016034	BOLT, .375-16 X 1, HHCS, SST
4	16	05020898	NUT, .375-16, GC, TOP LOCK, C&W
		05020891	NUT, .375-16, NYLON LOCK, 316 SST
5	32	05021307	WASHER, .375, FLAT, ZINC
		05021390	WASHER, .375, FLAT, SST

**00042907 CATWALK KIT, 12'-13', PAIR**

Item	Qty	Part Number	Description
1	1	00146208-A	CATWALK WELDMENT, V-BOX, RH, FL PL, MS
		00146208-B	CATWALK WELDMENT, V-BOX, RH, FL PL, 304 SST
		00146208-C	CATWALK WELDMENT, V-BOX, RH, FL PL, AUSST
2	1	00146214-A	CATWALK WELDMENT, V-BOX, LH, FL PL, MS
		00146214-B	CATWALK WELDMENT, V-BOX, LH, FL PL, 304SST
		00146214-C	CATWALK WELDMENT, V-BOX, LH, FL PL, AUSST
3	20	05010643	BOLT, .375-16 X 1, G8, HHCS, ZINC
		05016034	BOLT, .375-16 X 1, HHCS, SST
4	20	05020898	NUT, .375-16, GC, TOP LOCK, C&W
		05020891	NUT, .375-16, NYLON LOCK, 316 SST
5	40	05021307	WASHER, .375, FLAT, ZINC
		05021390	WASHER, .375, FLAT, SST

**00042909 CATWALK KIT, 14'-15', PAIR**

Item	Qty	Part Number	Description
1	1	00146209-A	CATWALK WELDMENT, V-BOX, RH, FL PL, MS
		00146209-B	CATWALK WELDMENT, V-BOX, RH, FL PL, 304SST
		00146209-C	CATWALK WELDMENT, V-BOX, RH, FL PL, AUSST
2	1	00146215-A	CATWALK WELDMENT, V-BOX, LH, FL PL, MS
		00146215-B	CATWALK WELDMENT, V-BOX, LH, FL PL, 304SST
		00146215-C	CATWALK WELDMENT, V-BOX, LH, FL PL, AUSST
3	24	05010643	BOLT, .375-16 X 1, G8, HHCS, ZINC
		05016034	BOLT, .375-16 X 1, HHCS, SST
4	24	05020898	NUT, .375-16, GC, TOP LOCK, C&W
		05020891	NUT, .375-16, NYLON LOCK, 316 SST
5	48	05021307	WASHER, .375, FLAT, ZINC
		05021390	WASHER, .375, FLAT, SST

**00042911 CATWALK KIT, 16'-17', PAIR**

Item	Qty	Part Number	Description
1	1	00146210-A	CATWALK WELDMENT, V-BOX, RH, FL PL, MS
		00146210-B	CATWALK WELDMENT, V-BOX, RH, FL PL, 304SST
		00146210-C	CATWALK WELDMENT, V-BOX, RH, FL PL, AUSST
2	1	00146216-A	CATWALK WELDMENT, V-BOX, LH, FL PL, MS
		00146216-B	CATWALK WELDMENT, V-BOX, LH, FL PL, 304SST
		00146216-C	CATWALK WELDMENT, V-BOX, LH, FL PL, AUSST
3	28	05010643	BOLT, .375-16 X 1, G8, HHCS, ZINC
		05016034	BOLT, .375-16 X 1, HHCS, SST
4	28	05020898	NUT, .375-16, GC, TOP LOCK, C&W
		05020891	NUT, .375-16, NYLON LOCK, 316 SST
5	56	05021307	WASHER, .375, FLAT, ZINC
		05021390	WASHER, .375, FLAT, SST

**00146218 CATWALK KIT, 18'-19', PAIR**

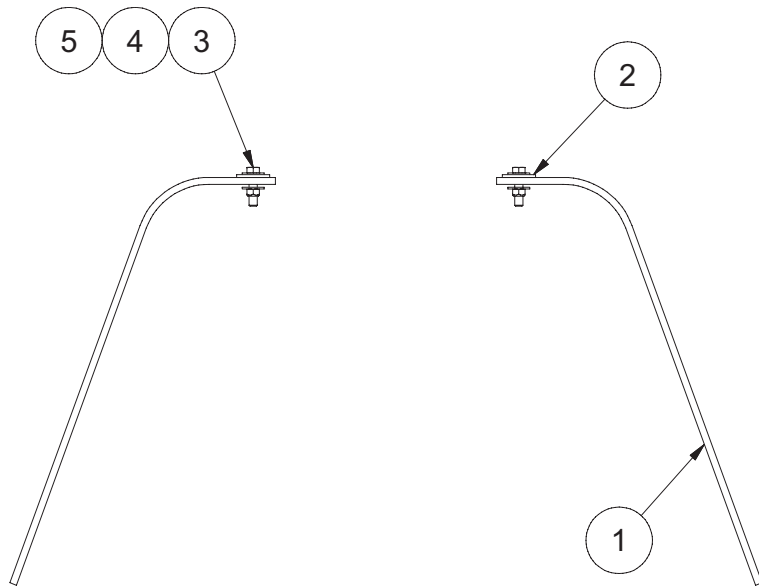
Item	Qty	Part Number	Description
1	1	00146211-A	CATWALK WELDMENT, V-BOX, RH, FL PL, MS
		00146211-B	CATWALK WELDMENT, V-BOX, RH, FL PL, 304SST
		00146211-C	CATWALK WELDMENT, V-BOX, RH, FL PL, AUSST
2	1	00146217-A	CATWALK WELDMENT, V-BOX, LH, FL PL, MS
		00146217-B	CATWALK WELDMENT, V-BOX, LH, FL PL, 304SST
		00146217-C	CATWALK WELDMENT, V-BOX, LH, FL PL, AUSST
3	32	05010643	BOLT, .375-16 X 1, G8, HHCS, ZINC
		05016034	BOLT, .375-16 X 1, HHCS, SST
4	32	05020898	NUT, .375-16, GC, TOP LOCK, C&W
		05020891	NUT, .375-16, NYLON LOCK, 316 SST
5	64	05021307	WASHER, .375, FLAT, ZINC
		05021390	WASHER, .375, FLAT, SST

**00097183 SPILL SHIELD KIT, V-BOX, FR OR RR, 10GA**

Item	Qty.	Part Number	Description
1	1	00014744-A 00014744-B 00014744-C	SPILL SHIELD WELDMENT, V-BOX FR RR, MS SPILL SHIELD WELDMENT, V-BOX FR RR, 304SST SPILL SHIELD WELDMENT, V-BOX FR RR, AUSST
2	8	05010642 05016050	BOLT, .375-16 X .875, G8, HHCS, ZINC BOLT, .375-16 X .875, HHCS, SST
3	8	05020898 05020891	NUT, .375-16, GC, TOP LOCK, C&W NUT, .375-16, NYLON LOCK, 316 SST
4	16	05021307 05021390	WASHER, .375, FLAT, ZINC WASHER, .375, FLAT, SST

**00145916 SPILL SHIELD KIT, V-BOX, FR OR RR W/ LIFT LOOP CUTOUTS**

Item	Qty.	Part Number	Description
1	1	00108257-A 00108257-B 00108257-C	SPILL SHIELD WELDMENT, V-BOX FR RR, MS SPILL SHIELD WELDMENT, V-BOX FR RR, 304SST SPILL SHIELD WELDMENT, V-BOX FR RR, AUSST
2	8	05010642 05016050	BOLT, .375-16 X .875, G8, HHCS, ZINC BOLT, .375-16 X .875, HHCS, SST
3	8	05020898 05020891	NUT, .375-16, GC, TOP LOCK, C&W NUT, .375-16, NYLON LOCK, 316 SST
4	16	05021307 05021390	WASHER, .375, FLAT, ZINC WASHER, .375, FLAT, SST



### 00142340 SPILL SHIELD KIT, MCV, SIDE, 8' X 24" RUBBER

Item	Qty.	Part Number	Description
1	2	00142323	SPILL SHIELD, MCV, SIDE, 8'
2	2	00142331-A 00142331-B	MOUNTING PLATE, SD SPILL SHIELD, MCV, MS MOUNTING PLATE, SD SPILL SHIELD, MCV, SST
3	16	05010645 05016162	BOLT, .375-16 X 1.50, G8, HHCS, ZINC BOLT, .375-16 X 1.50, HHCS, SST
4	32	05021307 05021390	WASHER, .375, FLAT, ZINC WASHER, .375, FLAT, SST
5	16	05020898 05020891	NUT, .375-16, GC, TOP LOCK, C&W NUT, .375-16, NYLON LOCK, 316 SST

### 00142341 SPILL SHIELD KIT, MCV, SIDE, 9' X 24" RUBBER

Item	Qty.	Part Number	Description
1	2	00142324	SPILL SHIELD, MCV, SIDE, 9'
2	2	00142332-A 00142332-B	MOUNTING PLATE, SD SPILL SHIELD, MCV, MS MOUNTING PLATE, SD SPILL SHIELD, MCV, SST
3	18	05010645 05016162	BOLT, .375-16 X 1.50, G8, HHCS, ZINC BOLT, .375-16 X 1.50, HHCS, SST
4	36	05021307 05021390	WASHER, .375, FLAT, ZINC WASHER, .375, FLAT, SST
5	18	05020898 05020891	NUT, .375-16, GC, TOP LOCK, C&W NUT, .375-16, NYLON LOCK, 316 SST

**00132411 SPILL SHIELD KIT, MCV, SIDE, 10' X 24" RUBBER**

Item	Qty.	Part Number	Description
1	2	00132410	SPILL SHIELD, MCV, SIDE, 10'
2	2	00132409-A 00132409-B	MOUNTING PLATE, SD SPILL SHIELD, MCV, MS MOUNTING PLATE, SD SPILL SHIELD, MCV, SST
3	20	05010645 05016162	BOLT, .375-16 X 1.50, G8, HHCS, ZINC BOLT, .375-16 X 1.50, HHCS, SST
4	40	05021307 05021390	WASHER, .375, FLAT, ZINC WASHER, .375, FLAT, SST
5	20	05020898 05020891	NUT, .375-16, GC, TOP LOCK, C&W NUT, .375-16, NYLON LOCK, 316 SST

**00142342 SPILL SHIELD KIT, MCV, SIDE, 11' X 24" RUBBER**

Item	Qty.	Part Number	Description
1	2	00142325	SPILL SHIELD, MCV, SIDE, 11'
2	2	00142333-A 00142333-B	MOUNTING PLATE, SD SPILL SHIELD, MCV, MS MOUNTING PLATE, SD SPILL SHIELD, MCV, SST
3	22	05010645 05016162	BOLT, .375-16 X 1.50, G8, HHCS, ZINC BOLT, .375-16 X 1.50, HHCS, SST
4	44	05021307 05021390	WASHER, .375, FLAT, ZINC WASHER, .375, FLAT, SST
5	22	05020898 05020891	NUT, .375-16, GC, TOP LOCK, C&W NUT, .375-16, NYLON LOCK, 316 SST

**00142343 SPILL SHIELD KIT, MCV, SIDE, 12' X 24" RUBBER**

Item	Qty.	Part Number	Description
1	2	00142326	SPILL SHIELD, MCV, SIDE, 12'
2	2	00143499-A 00143499-B	MOUNTING PLATE, SD SPILL SHIELD, MCV, MS MOUNTING PLATE, SD SPILL SHIELD, MCV, SST
3	24	05010645 05016162	BOLT, .375-16 X 1.50, G8, HHCS, ZINC BOLT, .375-16 X 1.50, HHCS, SST
4	48	05021307 05021390	WASHER, .375, FLAT, ZINC WASHER, .375, FLAT, SST
5	24	05020898 05020891	NUT, .375-16, GC, TOP LOCK, C&W NUT, .375-16, NYLON LOCK, 316 SST



**00142344 SPILL SHIELD KIT, MCV, SIDE, 13' X 24" RUBBER**

Item	Qty.	Part Number	Description
1	2	00142327	SPILL SHIELD, MCV, SIDE, 13'
2	2	00142350-A 00142350-B	MOUNTING PLATE, SD SPILL SHIELD, MCV, MS MOUNTING PLATE, SD SPILL SHIELD, MCV, SST
3	26	05010645 05016162	BOLT, .375-16 X 1.50, G8, HHCS, ZINC BOLT, .375-16 X 1.50, HHCS, SST
4	52	05021307 05021390	WASHER, .375, FLAT, ZINC WASHER, .375, FLAT, SST
5	26	05020898 05020891	NUT, .375-16, GC, TOP LOCK, C&W NUT, .375-16, NYLON LOCK, 316 SST

**00142345 SPILL SHIELD KIT, MCV, SIDE, 14' X 24" RUBBER**

Item	Qty.	Part Number	Description
1	2	00142328	SPILL SHIELD, MCV, SIDE, 14'
2	2	00142351-A 00142351-B	MOUNTING PLATE, SD SPILL SHIELD, MCV, MS MOUNTING PLATE, SD SPILL SHIELD, MCV, SST
3	28	05010645 05016162	BOLT, .375-16 X 1.50, G8, HHCS, ZINC BOLT, .375-16 X 1.50, HHCS, SST
4	56	05021307 05021390	WASHER, .375, FLAT, ZINC WASHER, .375, FLAT, SST
5	28	05020898 05020891	NUT, .375-16, GC, TOP LOCK, C&W NUT, .375-16, NYLON LOCK, 316 SST

**00142346 SPILL SHIELD KIT, MCV, SIDE, 15' X 24" RUBBER**

Item	Qty.	Part Number	Description
1	2	00142329	SPILL SHIELD, MCV, SIDE, 15'
2	2	00142352-A 00142352-B	MOUNTING PLATE, SD SPILL SHIELD, MCV, MS MOUNTING PLATE, SD SPILL SHIELD, MCV, SST
3	30	05010645 05016162	BOLT, .375-16 X 1.50, G8, HHCS, ZINC BOLT, .375-16 X 1.50, HHCS, SST
4	60	05021307 05021390	WASHER, .375, FLAT, ZINC WASHER, .375, FLAT, SST
5	30	05020898 05020891	NUT, .375-16, GC, TOP LOCK, C&W NUT, .375-16, NYLON LOCK, 316 SST

**00142347 SPILL SHIELD KIT, MCV, SIDE, 16' X 24" RUBBER**

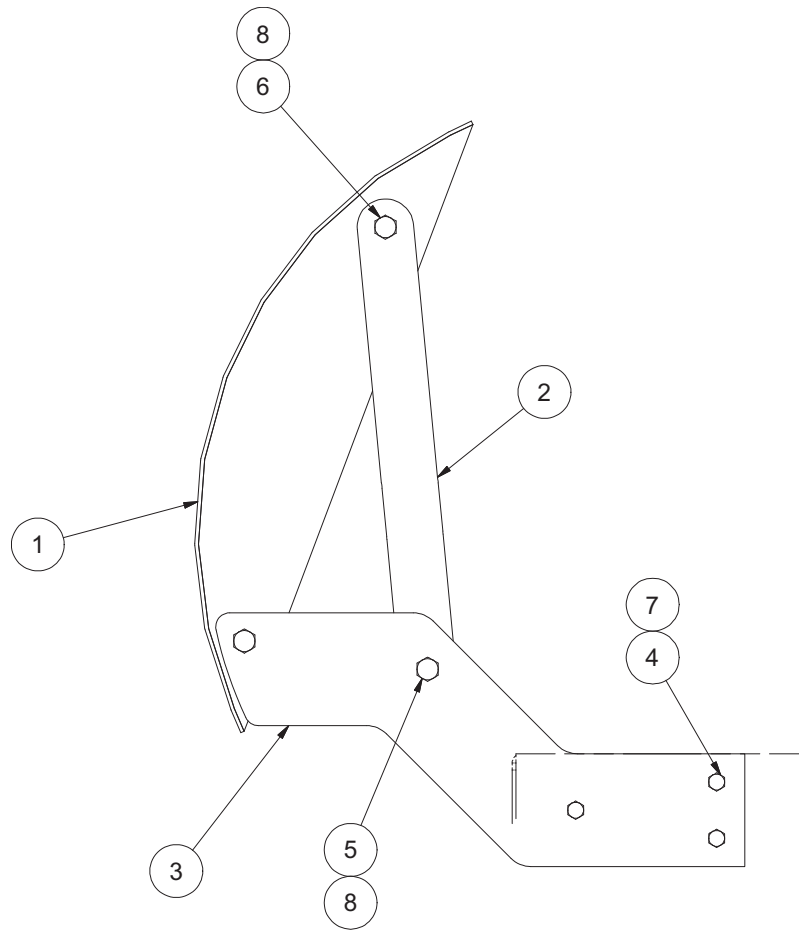
Item	Qty.	Part Number	Description
1	2	00142330	SPILL SHIELD, MCV, SIDE, 16'
2	2	00142353-A 00142353-B	MOUNTING PLATE, SD SPILL SHIELD, MCV, MS MOUNTING PLATE, SD SPILL SHIELD, MCV, SST
3	32	05010645 05016162	BOLT, .375-16 X 1.50, G8, HHCS, ZINC BOLT, .375-16 X 1.50, HHCS, SST
4	64	05021307 05021390	WASHER, .375, FLAT, ZINC WASHER, .375, FLAT, SST
5	32	05020898 05020891	NUT, .375-16, GC, TOP LOCK, C&W NUT, .375-16, NYLON LOCK, 316 SST

**00142348 SPILL SHIELD KIT, MCV, SIDE, 17' X 24" RUBBER**

Item	Qty.	Part Number	Description
1	2	00142357	SPILL SHIELD, MCV, SIDE, 17'
2	2	00142354-A 00142354-B	MOUNTING PLATE, SD SPILL SHIELD, MCV, MS MOUNTING PLATE, SD SPILL SHIELD, MCV, SST
3	34	05010645 05016162	BOLT, .375-16 X 1.50, G8, HHCS, ZINC BOLT, .375-16 X 1.50, HHCS, SST
4	68	05021307 05021390	WASHER, .375, FLAT, ZINC WASHER, .375, FLAT, SST
5	34	05020898 05020891	NUT, .375-16, GC, TOP LOCK, C&W NUT, .375-16, NYLON LOCK, 316 SST

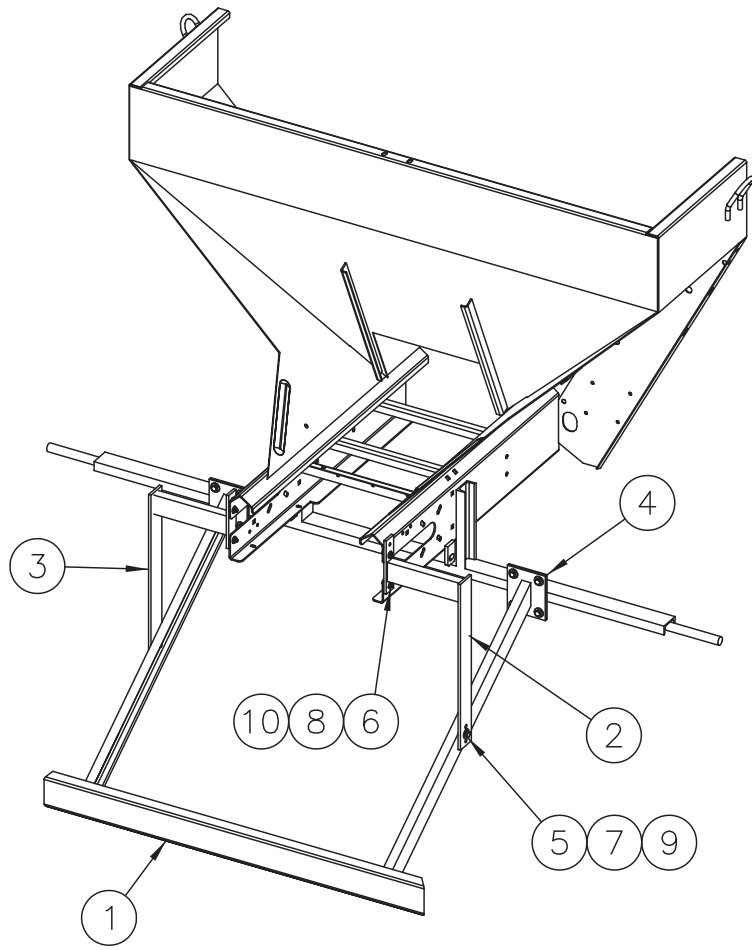
**00142349 SPILL SHIELD KIT, MCV, SIDE, 18' X 24" RUBBER**

Item	Qty.	Part Number	Description
1	2	00142358	SPILL SHIELD, MCV, SIDE, 18'
2	2	00142355-A 00142355-B	MOUNTING PLATE, SD SPILL SHIELD, MCV, MS MOUNTING PLATE, SD SPILL SHIELD, MCV, SST
3	36	05010645 05016162	BOLT, .375-16 X 1.50, G8, HHCS, ZINC BOLT, .375-16 X 1.50, HHCS, SST
4	72	05021307 05021390	WASHER, .375, FLAT, ZINC WASHER, .375, FLAT, SST
5	36	05020898 05020891	NUT, .375-16, GC, TOP LOCK, C&W NUT, .375-16, NYLON LOCK, 316 SST



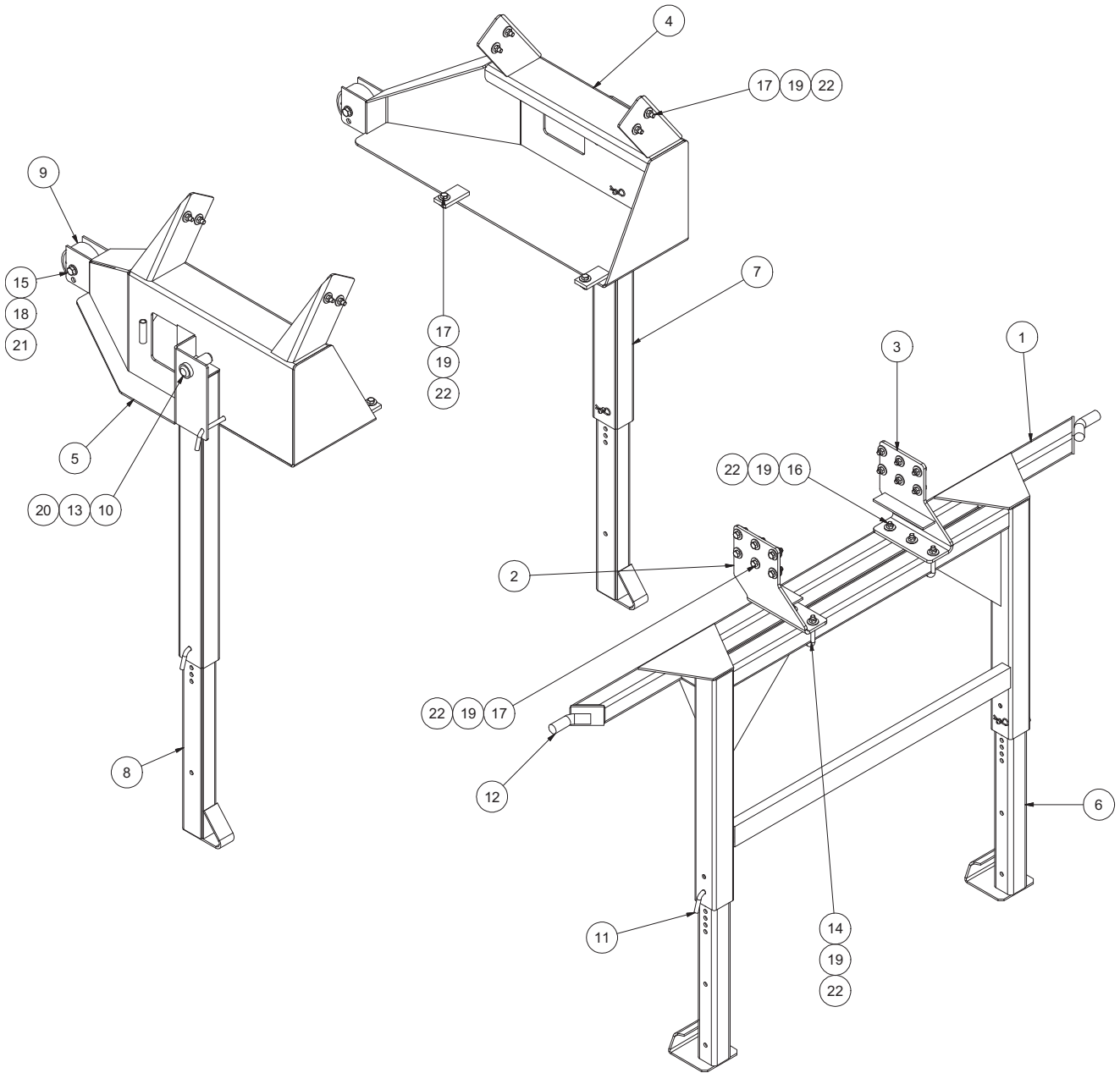
**00017184 AIR FOIL KIT, 84 WIDE, 10GA, BOLT-ON**

Item	Qty.	Part Number	Description
1	1	00034157-A 00034157-B 00034157-C	AIR FOIL WELDMENT, 84W, RR, MS AIR FOIL WELDMENT, 84W, RR, 304SST AIR FOIL WELDMENT, 84W, RR, AUSST
2	2	00032766-A 00032766-B	SUPPORT AIR FOIL, MS SUPPORT AIR FOIL, SST
3	2	00085167-A 00085167-B	RAIL, SIDE, AIR FOIL, MS RAIL, SIDE, AIR FOIL, SST
4	6	05010643 05016034	BOLT, .375-16 X 1, G8, HHCS, ZINC BOLT, .375-16 X 1, HHCS, SST
5	2	05010691 05016096	BOLT, .5-13 X 1.50, G8, HHCS, ZINC BOLT, .5-13 X 1.50, HHCS, SST
6	4	05010690 05016045	BOLT, .5-13 X 1.25, G8, HHCS, ZINC BOLT, .5-13 X 1.25, HHCS, SST
7	6	05020898 05020891	NUT, .375-16, GC, TOP LOCK, C&W NUT, .375-16, NYLON LOCK, 316 SST
8	6	05020847 05020908	NUT, .5-13, GC, TOP LOCK, C&W NUT, .5-13, NYLON LOCK, 316 SST



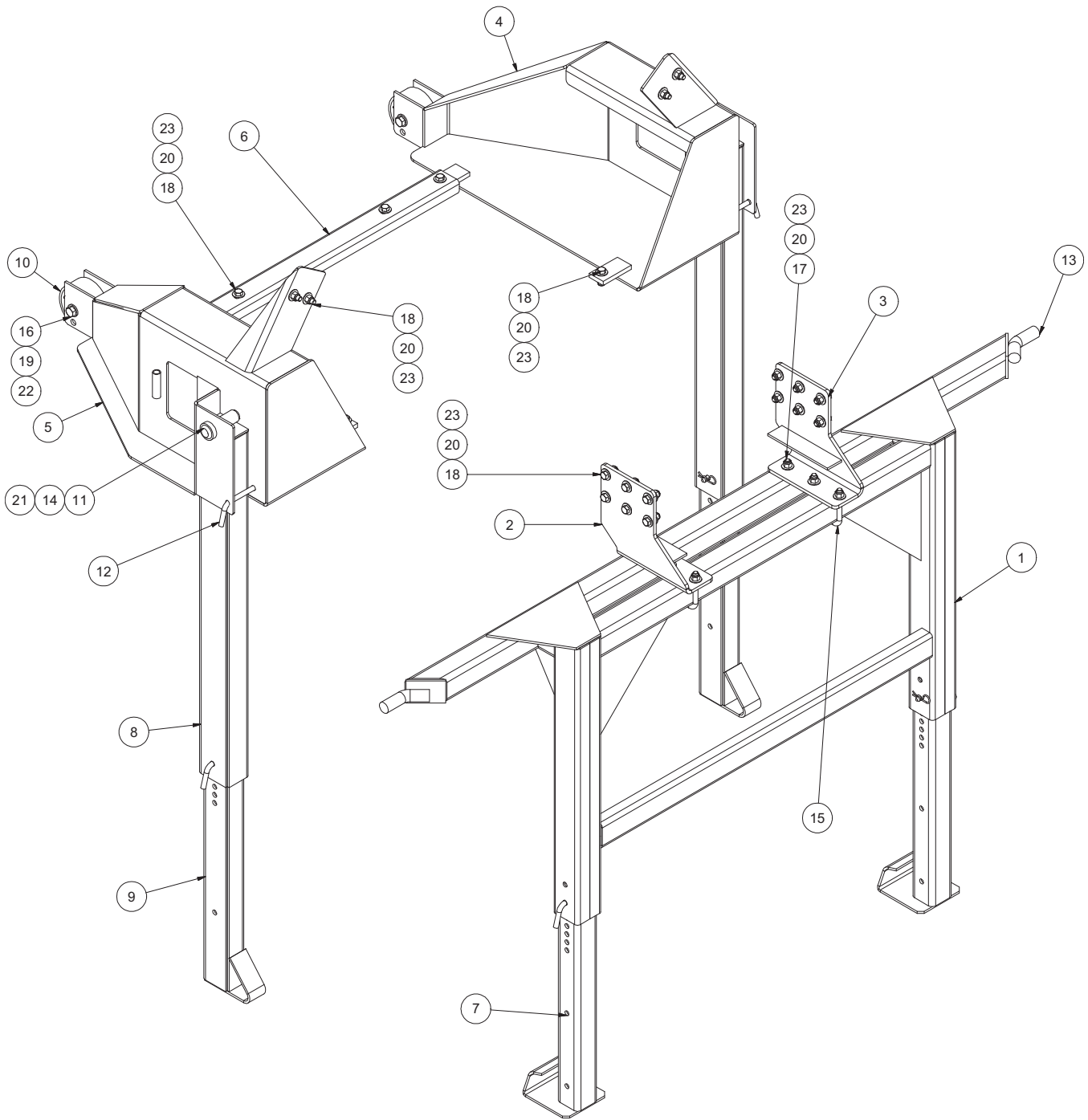
### 00050798 BUMPER KIT, SLIP-IN

Item	Qty.	Part Number	Description
1	1	00050795-A 00050795-B	BUMPER WELDMENT, REAR, MS BUMPER WELDMENT, REAR, SST
2	1	00050796-A 00050796-B	HANGER WELDMENT, BUMPER, RH, MS HANGER WELDMENT, BUMPER, RH, SST
3	1	00050797-A 00050797-B	HANGER WELDMENT, BUMMER, LH, MS HANGER WELDMENT, BUMMER, LH, SST
4	2	00034183-A 00034183-B	MOUNTING PLATE, BUMPER, MS MOUNTING PLATE, BUMPER, SST
5	10	05010691 05016096	BOLT, .5-13 X 1.50, G8, HHCS, ZINC BOLT, .5-13 X 1.50, HHCS, SST
6	4	05010644 05016079	BOLT, .375-16 X 1.25, G8, HHCS, ZINC BOLT, .375-16 X 1.25, HHCS, SST
7	10	05020847 05020908	NUT, .5-13, GC, TOP LOCK, C&W NUT, .5-13, NYLON LOCK, 316 SST
8	4	05020898 05020891	NUT, .375-16, GC, TOP LOCK, C&W NUT, .375-16, NYLON LOCK, 316 SST
9	20	05021309 05021391	WASHER, .5, FLAT, ZINC WASHER, .5, FLAT, SS
10	8	05021307 05021390	WASHER, .375, FLAT, ZINC WASHER, .5, FLAT, SS



**00145943 LEG KIT, MCV, SELF LOADING, EVEN LENGTH BODY**

ITEM	QTY	PART NUMBER	DESCRIPTION
1	1	00099489-A	LEG WLDMT,V-BOX,RR,UPR,SLFLDG
1	1	00099489-B	LEG WLDMT,V-BOX,RR,UPR,SLFLDG
1	1	00099489-C	LEG WLDMT,V-BOX,RR UPR,SLFLDG
2	1	00137713-A	MTG PL WLDMT,RR LEG,MCV,SLFLDG
2	1	00137713-B	MTG PL WLDMT,RR LEG,MCV,SLFLDG
2	1	00137713-C	MTG PL WLDMT,RR LEG,MCV,SLFLDG
3	1	00137714-A	MTG PL WLDMT,RR LEG,MCV,SLFLDG
3	1	00137714-B	MTG PL WLDMT,RR LEG,MCV,SLFLDG
3	1	00137714-C	MTG PL WLDMT,RR LEG,MCV,SLFLDG
4	1	00145942-A	MOUNT WLDMT,LEG,MCV,SLF LDG
4	1	00145942-B	MOUNT WLDMT,LEG,MCV,SLF LDG
4	1	00145942-C	MOUNT WLDMT,LEG,MCV,SLF LDG
5	1	00145941-A	MOUNT WLDMT,LEG,MCV,SLF LDG
5	1	00145941-B	MOUNT WLDMT,LEG,MCV,SLF LDG
5	1	00145941-C	MOUNT WLDMT,LEG,MCV,SLF LDG
6	2	00085104-A	LEG WLDMT,ANTI-ICE/V-BOX,RR
6	2	00085104-B	LEG WLDMT,ANTI-ICE/V-BOX,RR
7	2	00085100-A	LEG WLDMT,V-BOX,FR UPR,SLFLDG
7	2	00085100-B	LEG WLDMT,V-BOX,FR UPR,SLFLDG
7	2	00085100-C	LEG WLDMT,V-BOX,FR UPR,SLFLDG
8	2	00085102-A	LEG WLDMT,V-BOX,FR LWR,SLFLDG
8	2	00085102-B	LEG WLDMT,V-BOX,FR LWR,SLFLDG
8	2	00085102-C	LEG WLDMT,V-BOX,FR LWR,SLFLDG
9	2	05050451	WHEEL,.63BOREx1.88x5"D,CAST
10	2	05022077	PIN 1.00 x 4.50 ZC
11	6	05022136	PIN .50 x 4.5 4" GRIP BENT
12	2	00028395-A	PIN,TAILGATE LATCH - HRR
12	2	00028395-B	PIN,TAILGATE LATCH - SSR
13	2	05022002	PIN #8 HAIR ZC
14	2	05017039	U-BOLT,SQ,.500-13,3.063x4.750
15	2	05010747	BOLT .625-11 x 4.00 G8 HHCS ZC
16	2	05010702	BOLT .500-13 x 4.50 G8 HHCS ZC
17	24	05010691	BOLT .500-13 x 1.50 G8 HHCS ZC
17	24	05016096	BOLT .500-13 x 1.50 HHCS SST
18	2	05020837	NUT .625-11 GC TOPLOCK C&W
19	30	05020847	NUT .500-13 GC TOPLOCK C&W
19	30	05020908	NUT .500-13 NYLON LOCK 316 SST
20	2	05021314	WASHER 1.00 FLAT ZC
21	4	05021017	WASHER .625 FLAT MIL-CARB SAE
22	56	05021309	WASHER .500 FLAT ZC
22	56	05021391	WASHER .500 FLAT SST





**00145932 LEG KIT, MCV, SELF LOADING, EVEN LENGTH BODY**

ITEM	QTY	PART NUMBER	DESCRIPTION
1	1	00099489-A	LEG WLDMT,V-BOX,RR,UPR,SLFLDG
1	1	00099489-B	LEG WLDMT,V-BOX,RR,UPR,SLFLDG
1	1	00099489-C	LEG WLDMT,V-BOX,RR,UPR,SLFLDG
2	1	00137713-A	MTG PL WLDMT,RR LEG,MCV,SLFLDG
2	1	00137713-B	MTG PL WLDMT,RR LEG,MCV,SLFLDG
2	1	00137713-C	MTG PL WLDMT,RR LEG,MCV,SLFLDG
3	1	00137714-A	MTG PL WLDMT,RR LEG,MCV,SLFLDG
3	1	00137714-B	MTG PL WLDMT,RR LEG,MCV,SLFLDG
3	1	00137714-C	MTG PL WLDMT,RR LEG,MCV,SLFLDG
4	1	00145913-A	MOUNT WLDMT,LEG,MCV,SELF LDG
4	1	00145913-B	MOUNT WLDMT,LEG,MCV,SELF LDG
4	1	00145913-C	MOUNT WLDMT,LEG,MCV,SELF LDG
5	1	00145914-A	MOUNT WLDMT,LEG,MCV,SELF LDG
5	1	00145914-B	MOUNT WLDMT,LEG,MCV,SELF LDG
5	1	00145914-C	MOUNT WLDMT,LEG,MCV,SELF LDG
6	1	00145933	CROSS CHAN,FR LEG,MCV,SLFLDG
6	1	00145936-A	CROSS CHAN,FR LEG,MCV,SLFLDG
6	1	00145936-B	CROSS CHAN,FR LEG,MCV,SLFLDG
7	2	00085104-A	LEG WLDMT,ANTI-ICE/V-BOX,RR
7	2	00085104-B	LEG WLDMT,ANTI-ICE/V-BOX,RR
8	2	00085100-A	LEG WLDMT,V-BOX,FR UPR,SLFLDG
8	2	00085100-B	LEG WLDMT,V-BOX,FR UPR,SLFLDG
8	2	00085100-C	LEG WLDMT,V-BOX,FR UPR,SLFLDG
9	2	00085102-A	LEG WLDMT,V-BOX,FR LWR,SLFLDG
9	2	00085102-B	LEG WLDMT,V-BOX,FR LWR,SLFLDG
9	2	00085102-C	LEG WLDMT,V-BOX,FR LWR,SLFLDG
10	2	05050451	WHEEL,.63BOREx1.88x5"D,CAST
11	2	05022077	PIN 1.00 x 4.50 ZC
12	6	05022136	PIN .50 x 4.5 4" GRIP BENT
12	6	05022136	PIN .50 x 4.5 4" GRIP BENT
13	2	00028395-A	PIN,TAILGATE LATCH - HRR
13	2	00028395-B	PIN,TAILGATE LATCH - SSR
14	2	05022002	PIN #8 HAIR ZC
15	2	05017039	U-BOLT,SQ,.500-13,3.063x4.750
16	2	05010747	BOLT .625-11 x 4.00 G8 HHCS ZC
17	2	05010702	BOLT .500-13 x 4.50 G8 HHCS ZC
18	22	05010691	BOLT .500-13 x 1.50 G8 HHCS ZC
18	22	05016096	BOLT .500-13 x 1.50 HHCS SST
19	2	05020837	NUT .625-11 GC TOPLOCK C&W
20	28	05020847	NUT .500-13 GC TOPLOCK C&W
20	28	05020908	NUT .500-13 NYLON LOCK 316 SST
21	2	05021314	WASHER 1.00 FLAT ZC
22	4	05021017	WASHER .625 FLAT MIL-CARB SAE
23	52	05021309	WASHER .500 FLAT ZC
23	52	05021391	WASHER .500 FLAT SST

**00012819 SLIP-IN MOUNTING KIT**

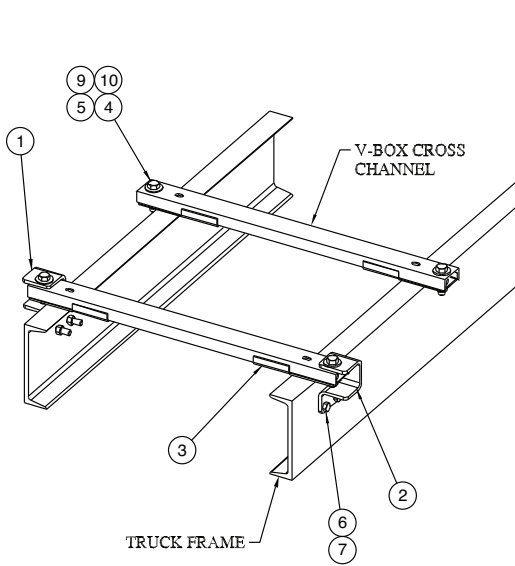
<b>Item</b>	<b>Qty.</b>	<b>Part Number</b>	<b>Description</b>
1	4	00021053	TIE DOWN BRACKET, SLIP IN
2	4	05016042	BOLT, .625-11 X 24 L SHAPE, ZINC
3	8	05010695	BOLT, .5-13 X 2.50, G8, HHCS, ZINC
4	8	05020847	NUT, .5-13, TOP LOCK, C&W
5	4	05022007	PIN, .250 X 2.50, COTTER
6	12	05021311	WASHER, .625, FLAT, ZINC
7	8	05020270	NUT, .625-11, G8, HEX, ZINC
8	1	05050775	CARDBOARD BOX

**00037682 CHAIN BINDER KIT**

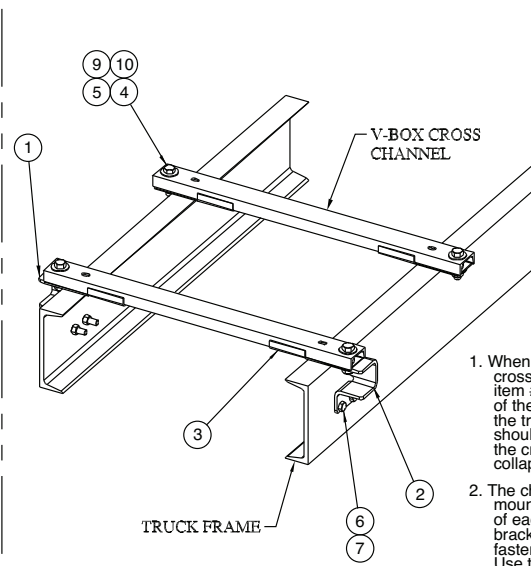
<b>Item</b>	<b>Qty.</b>	<b>Part Number</b>	<b>Description</b>
1	2	00026166-A	LOOP LIFT, BENT, MS
2	1	05050307	CARDBOARD BOX
3	2	05051377	LOAD BINDER, .375 5400LB
4	1	00037683	CHAIN, .375 X 96

## 00063492 RATCHET STRAP, 3.0

Item	Qty.	Part Number	Description
1	4	00063499-A 00063499-B	MOUNTING PLATE WELDMENT, RATCHET STRAP, MS MOUNTING PLATE WELDMENT, RATCHET STRAP, SST
2	4	00063498-D 00063498-E	MOUNTING PLATE, BRACKET, RATCHET STRAP, MS MOUNTING PLATE, BRACKET, RATCHET STRAP, SST
3	4	05050218	RATCHET ASSEMBLY FOR 3" STRAP
4	4	05050293	STRAP, 3" X 7' W/ FLAT HOOK
5	16	05010690 05016045	BOLT, .5-13 X 1.250, G8, HHCS, ZINC BOLT, .5-13 X 1.250 HHCS, SST
6	12	05010643 05016034	BOLT, .375-16 X 1, G8, HHCS, ZINC BOLT, .375-16 X 1, HHCS, SST
7	16	05020847 05020908	NUT, .5-13, TOP LOCK, C&W GR C NUT, .5-13, NYLON LOCK, SST
8	12	05020898 05020891	NUT, .375-16, TOP LOCK, C&W GR C NUT, .375-16, NYLON LOCK, SST
9	32	05021309 05021396	WASHER, .5, FLAT, ZINC WASHER, .5, FLAT, SST
10	12	05021307 05021390	WASHER, .375, FLAT, ZINC WASHER, .375, FLAT, SST
11	4	00045283-A 00045283-B	BRACKET, TIE DOWN MO, MS BRACKET, TIE DOWN MO, SST



INSTALLATION OPTION - A

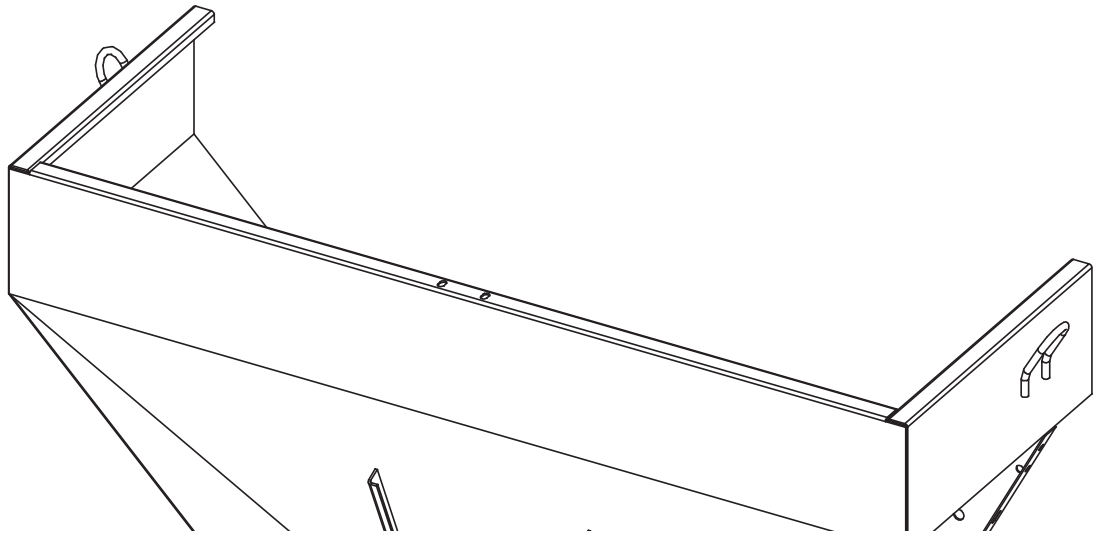


INSTALLATION OPTION - B

1. When installing a chassis mount V-Box all cross channels should be supported using item # 3. This will keep the sharp edges of the cross channels from wearing into the truck frame rails. All cross channels should also use item # 9. This will keep the cross or mounting channel from collapsing during assembly.
2. The chassis mounting kit includes one mounting channel (item # 3) for each end of each cross channel. Four mounting brackets (item #1 & #2) are included to fasten the V-Box to the truck frame rails. Use two mounting brackets in the front and two in the rear.
3. Use bolts to fasten all components together. Welding does not allow enough flex, this will result in stress cracking and failure of joined components.
4. Mounting kit may be installed with the mounting brackets on top of the v-box cross channels as shown in OPTION - A or under the cross channels as shown in OPTION -B, depending on the installation requirements.

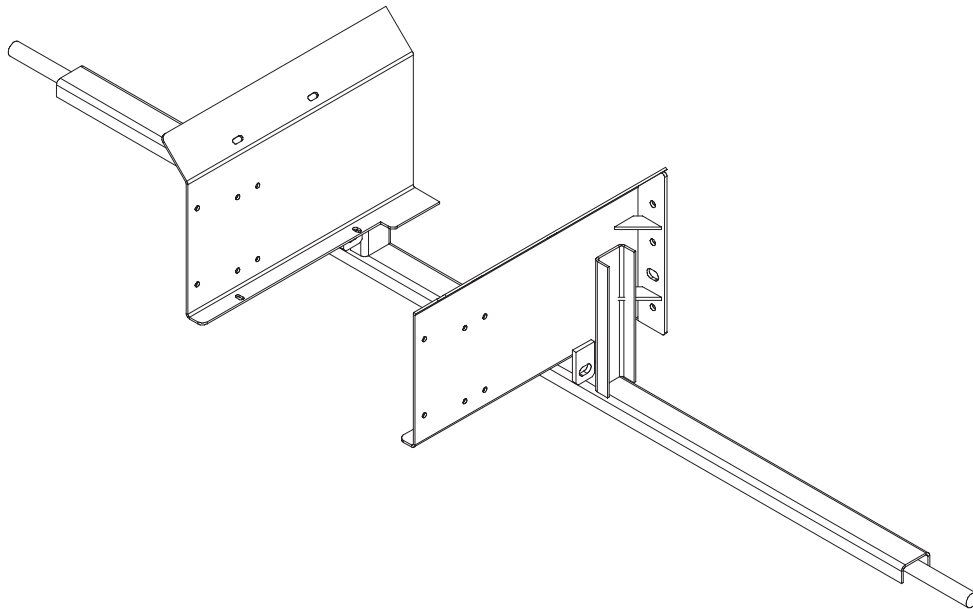
**00022402 CHASSIS MOUNTING KIT, 8' - 11'**  
**00024600 CHASSIS MOUNTING KIT, 12'-14'**  
**00105781 CHASSIS MOUNTING KIT, 15'-17'**

Item	Qty 8'-11'	Qty 12'-14'	Qty 15'-17'	Part Number	Description
1	6	8	8	00105737-A 00105737-B	Bracket, Chassis Mount, RH, MS Bracket, Chassis Mount, RH, 304 SST
2	10	12	16	00022401-A 00022401-B	Shim, Spacer 10.0, Chassis Mounting, MS Shim, Spacer 10.0, Chassis Mounting, 304 SST
3	10	12	16	00072042-C 00072042-B	Pipe, 1.0 SCHED 40 x 1.250, MS Painted
4	10	12	16	05010768	Bolt, .750-10 x 3, G8, HHCS, Zinc
5	12	12	16	05010741	Bolt, .625-11 x 2.50, G8, HHCS, Zinc
6	10	12	16	05020849	Nut, .750-10, GC, Top Lock, C&W
7	12	12	16	05020837	Nut, .625-11, GC, Top Lock, C&W
8	20	24	32	05021312	Washer, .750, Flat, Zinc
9	24	24	32	05021311	Washer, .625, Flat, Zinc



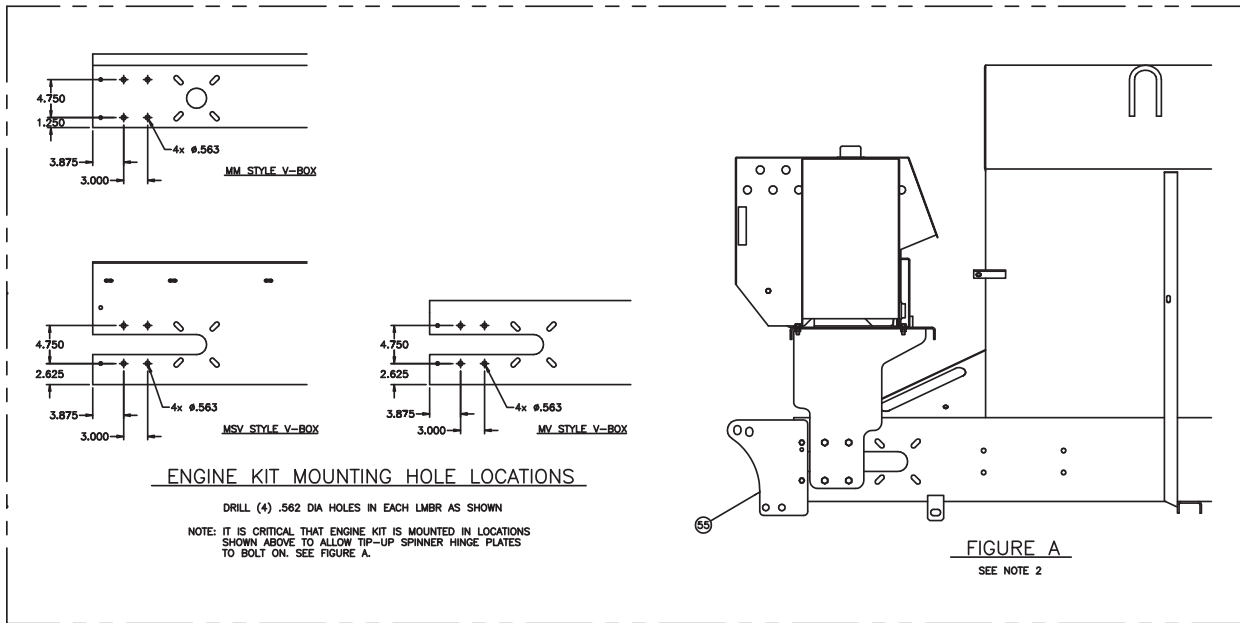
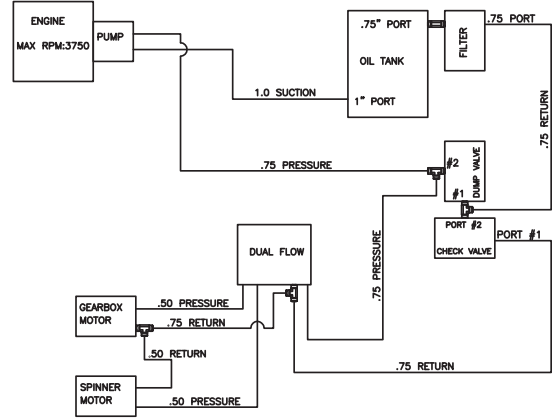
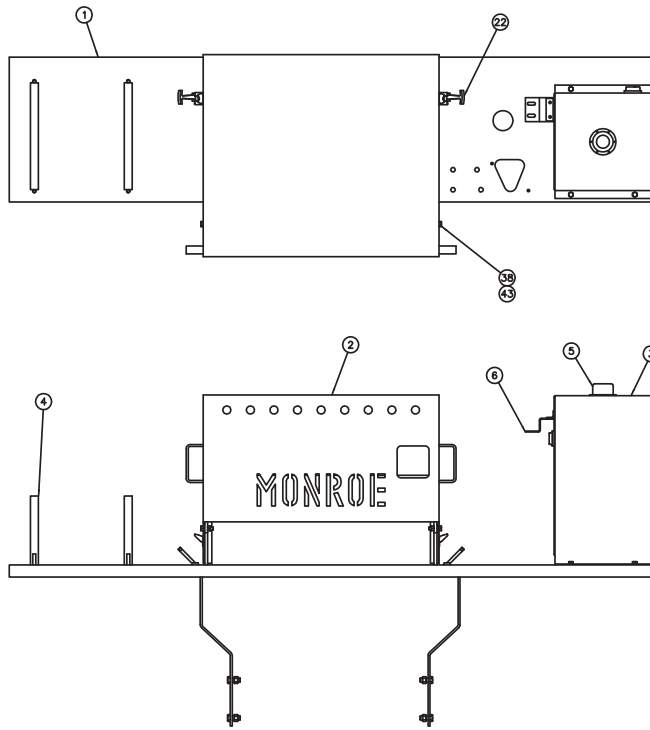
**00012389 LATCH KIT, TGT, 1.25 DIA**

Item	Qty.	Part Number	Description
1	1	00027145 00015929	CHAN, 3 X 4.1# X 90, MS CHAN, 3 X 4.75# X 90, 304
2	2	00010407 00015930	CRR 1.250 X 12 SSR 1.25 X 12
3	2	00059844 00015928	CHAN 3 X 4.1# X 12, MS CHAN 3 X 4.75# X 12, 304



**00132413 LATCH KIT, TGT, 1.25 DIA**

Item	Qty.	Part Number	Description
1	1	00132412	FORMED CHAN, .188 X 3.0 X 90, 304
2	2	00089649	FORMED CHAN, .188 X 3.0 X 12, 304
3	2	00015930	RND, SS, 1.250 DIA X 12



**00012602-A ENGINE KIT, MV/MSV, 20HP, HYD V, MS**  
**00012602-B ENGINE KIT, MV/MSV, 20HP, HYD V, SST**

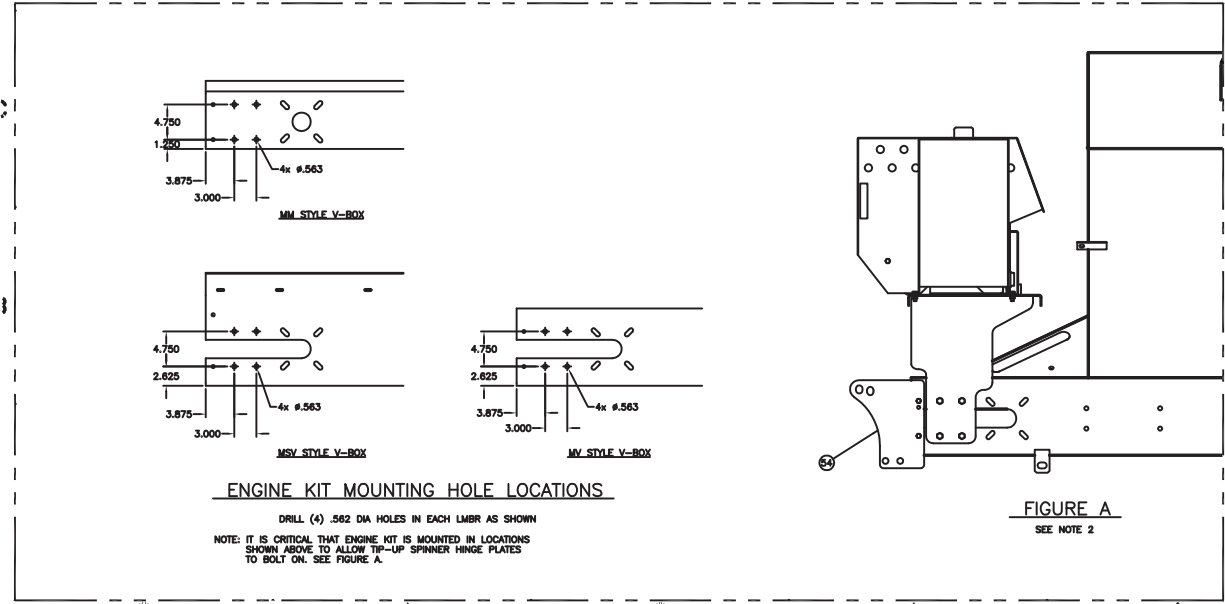
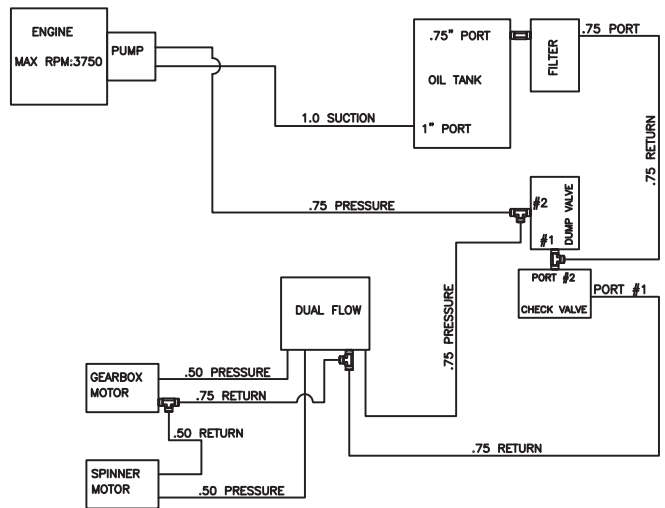
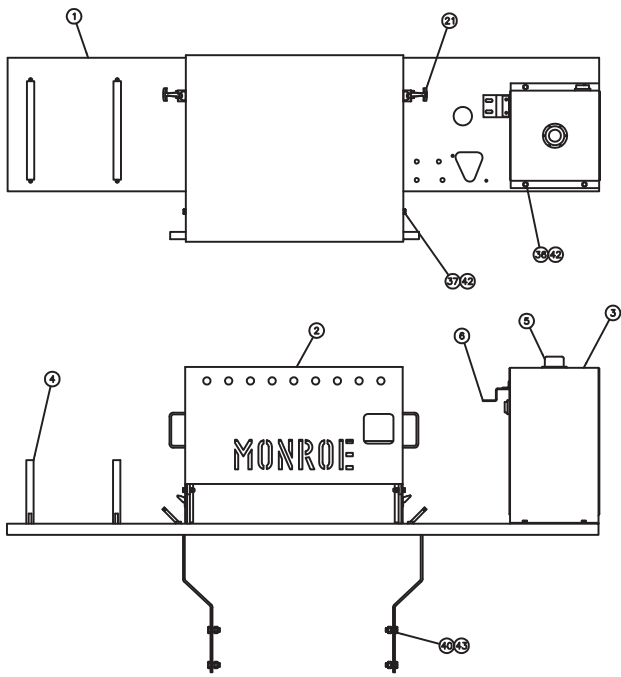
Item	Qty.	Part Number	Description
1	1	00037692-A	MOUNTING PLATE WLDMT,MS
1	1	00037692-B	MOUNTING PLATE WLDMT,304
2	1	00057020-A	HOOD WLDMT,MOTOR,MS
2	1	00057020-B	HOOD WLDMT,MOTOR,304
3	1	00047867-A	OIL RESERVOIR,WLDMT,MS
3	1	00047867-B	OIL RESERVOIR,WLDMT,304
4	2	00057125-A	GAS CONTAINER STRAP,WLDMT,MS
4	2	00057125-B	GAS CONTAINER STRAP,WLDMT,304
5	1	05051189	FILLER CAP
6	1	00046237-A	BRACKET,SUPPORT,FILTER ASSY,MS
6	1	00046237-B	BRACKET,SUPPORT,FILTER ASSY,304
7	1	05043047	FITTING,BUSHING,RDCR,1.312MORBx1.063FORB
8	1	05005038	ENGINE,25HP,KOHLER,GAS,W/FLNGE
9	1	05008004	PUMP,COMMERCIAL .93CU IN B-MNT
10	1	PSM1000MK	VALVE,SPREADER MANIFOLD
11	1	05037163	HOSE KIT,FOR SELF CONTAINED
12	1	05041583	PIGTAIL,7-POLE MOLDED,W/10'CBL
13	1	05041011	CABLE,BLACK BATTERY,4GA 19" OAL
14	1	05041752	CABLE,RED BATTERY,4GA,26" OAL
15	1	05041034	PANEL,INSTRUMENT,MV/MSV SELF
16	1	05041087	JUNCTION BOX,RECTANGULAR
17	1	05050037	FILTER ASSY,W/10 MICRON ELEMEN
18	1	05050038	VALVE,DUMP W/BODY ORB PORTS
19	1	05050061	BATTERY TRAY,PLASTIC F/BATTERY
20	1	05050062	BATTERY HOLD DOWN,CROSS-BAR
21	1	05050063	BOLT,BATTERY HOLD DOWN,J-STYLE
22	REF	05050067	HOOD CATCH,RUBBER,W/BRACKET
23	1	05052776	TANK,GAS,12GL,RECT,POLY,
24	8	05041313	CABLE,WIRE,14 GAUGE/2 CONDUCTOR
25	2	05037282	CLAMP,HOSE .500 SST
26	1	05038277	BARB,HOSE,.250 NPT-MALE-BRASS
27	1	05038278	ELBOW,.250 NPT,BRASS,MALE
28	1	05041264	SWITCH,TOGGLE,SPST,ON-OFF
29	1	05041762	BOOT,TOGGLE SWITCH
30	1	FA-SSC2100-SA	FORCE, CONTROL, 2 FUNCTION, SA
31	1	05010603	BOLT .25-20 x 3.50 G8 HHCS ZC
31	1	05016123	BOLT .25-20 x 3.50 HHCS SST
32	1	05010601	BOLT .25-20 x 3.00 G8 HHCS ZC
32	1	05016021	BOLT .25-20 x 3.00 HHCS SST
33	2	05010599	BOLT .25-20 x 2.50 G8 HHCS ZC
33	2	05016119	BOLT .25-20 x 2.50 HHCS SST
34	3	05010595	BOLT .25-20 x 1.50 G8 HHCS ZC
34	3	05016038	BOLT .25-20 x 1.50 HHCS SST
35	8	05010593	BOLT .25-20 x 1.00 G8 HHCS ZC
35	8	05016040	BOLT .25-20 x 1.00 HHCS SST
36	2	05010591	BOLT .25-20 x .750 G8 HHCS ZC
36	2	05016113	BOLT .25-20 x .750 HHCS SST
37	4	05010643	BOLT .375-16 x 1.00 G8 HHCS ZC
37	4	05016034	BOLT .375-16 x 1.00 HHCS SST
38	2	05010644	BOLT .375-16 x 1.25 G8 HHCS ZC
38	2	05016049	BOLT .375-16 x 1.25 HHCS SST
39	4	05010645	BOLT .375-16 x 1.50 G8 HHCS ZC
39	4	05016162	BOLT .375-16 x 1.50 HHCS SST
40	1	05010691	BOLT .500-13 x 1.50 G8 HHCS ZC
40	1	05016096	BOLT .500-13 x 1.50 HHCS SST
41	8	05010690	BOLT .500-13 x 1.25 G8 HHCS ZC
41	8	05016045	BOLT .500-13 x 1.25 HHCS SST

**00012602-A ENGINE KIT, MV/MSV, 20HP, HYD V, MS**  
**00012602-B ENGINE KIT, MV/MSV, 20HP, HYD V, SST**

42	15	05020899	NUT .250-20 G8 HEX ZC
42	15	05020906	NUT .250-20 G8 HEX SST
43	12	05020891	NUT .375-16 NYLON LOCK 316 SST
43	12	05020898	NUT .375-16 TOPLOCK C&W,GR C
44	8	05020847	NUT .500-12 TOPLOCK C&W,GR C
44	8	05020848	NUT .500-12 NYLON LOCK 316 SST
45	12	05021305	WASHER .250 FLAT ZC
45	12	05021403	WASHER .250 FLAT SST
46	12	05021307	WASHER .375 FLAT ZC
46	12	05021390	WASHER .375 FLAT SST
47	2	05021363	WASHER .250 LOCK ZC
47	2	05021393	WASHER .250 LOCK SST
48	1	05050164	CLAMP, .50 ID,CUSHIONED METAL
49	2	05052475	CLAMP, .375",CUSHIONED METAL,#6, .5"WIDE,SST
50	2	05051780	RUBBER BUFFER, .125x1.500x28.000
51	4FT	05038301	FUEL 1/4 ID PER FOOT
52	2	05051279	CLAMP,FUEL LINE,FOR IN-LINE
53	1	00052282	CRANK ASSY,JACK,48",MS (SEE NOTE1)
54	4	05041780	CONNECTOR,ELEC,16-14GA
55	2	00092699	HINGE PL,SPINNER,MV/MSV,TIP-UP,EU PKG
57	1	05041137	PLUG/SOCKET ASSY,4-POLE DIE CAST
58	30'	05041397	CABLE,WIRE,16GA/4 WIRE
61	1	05005039	PLUG,KOHLER,SQUARE,F/05005038
62	1	05005040	PLUG,KOHLER,1/2"BUTTON
63	1	05044165	CHECK VALVE,CV12-20,60 PSI
64	1	6402-12-12	HYD FITNG, STRAIGHT THREAD
65	1	6801-12	HYD FITNG, ADAPTER 90*, 1-1/16
66	1	05051008	GAUGE, SIGHT, ZIN SG-5-T, F/10/20



**LEFT INTENTIONALLY BLANK**



**00012603 ENGINE KIT, 25HP, MANUAL SPEED CONTROL IN REAR**

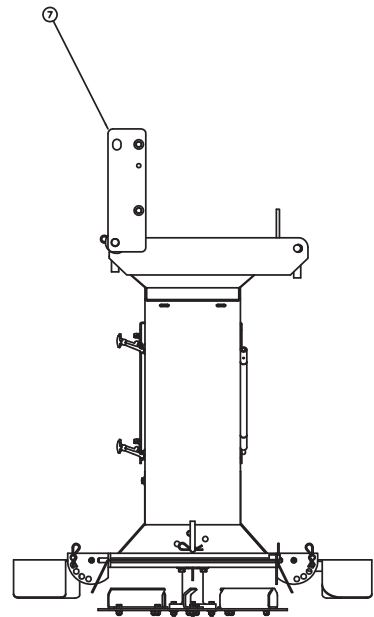
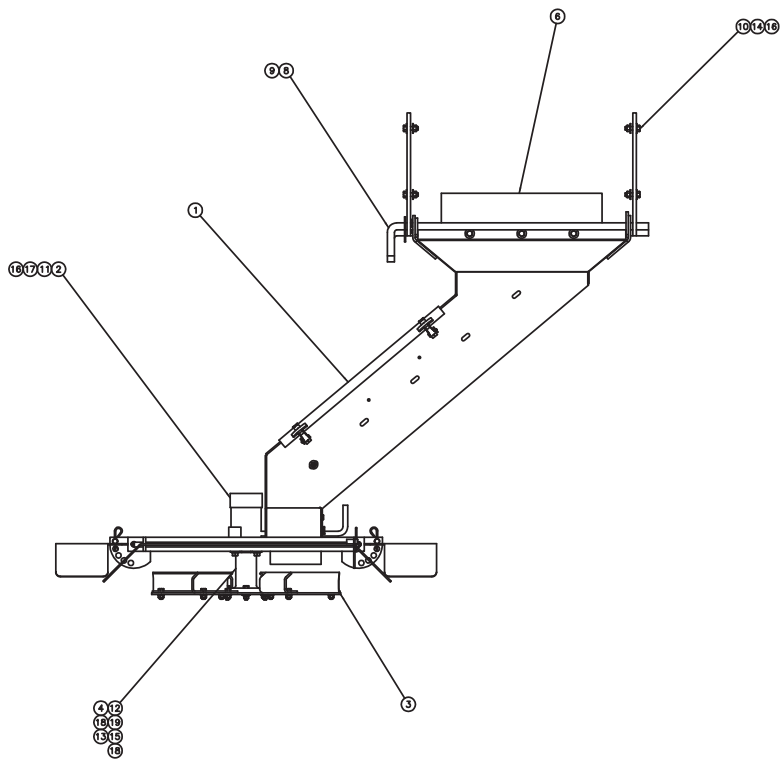
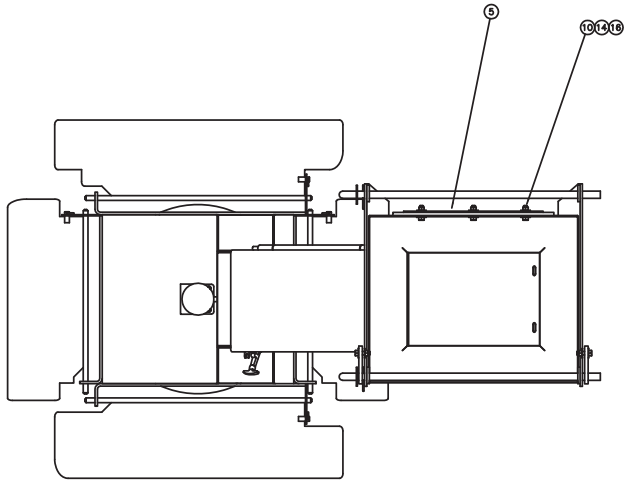
<b>Item</b>	<b>Qty.</b>	<b>Part Number</b>	<b>Description</b>
1	1	00037692-A	MOUNTING PLATE WLDMT,MS
1	1	00037692-B	MOUNTING PLATE WLDMT,304
2	1	00057020-A	HOOD WLDMT,MOTOR,MS
2	1	00057020-B	HOOD WLDMT,MOTOR,304
3	1	00047867-A	OIL RESERVOIR,WLDMT,MS
3	1	00047867-B	OIL RESERVOIR,WLDMT,304
4	2	00057125-A	GAS CONTAINER STRAP,WLDMT,MS
4	2	00057125-B	GAS CONTAINER STRAP,WLDMT,304
5	1	05051189	FILLER CAP
6	1	00046237-A	BRACKET,SUPPORT,FILTER ASSY,MS
6	1	00046237-B	BRACKET,SUPPORT,FILTER ASSY,304
7	1	05005038	ENGINE,25HP,KOHLER,GAS,W/FLNGE
8	1	05008004	PUMP,COMMERCIAL .93CU IN B-MNT
9	1	QDB-12-A07-B16-AR	VALVE,DUAL FLOW CTRL,OC,7&15
10	1	05037163	HOSE KIT,FOR SELF CONTAINED
11	1	05041583	PIGTAIL,7-POLE MOLDED,W/10'CBL
12	1	05041011	CABLE,BLACK BATTERY,4GA 19" OAL
13	1	05041752	CABLE,RED BATTERY,4GA,26" OAL
14	1	05041034	PANEL,INSTRUMENT,MV/MSV SELF
15	1	05041087	JUNCTION BOX,RECTANGULAR
16	1	05050037	FILTER ASSY,W/10 MICRON ELEMEN
17	1	05050038	VALVE,DUMP W/BODY ORB PORTS
18	1	05050061	BATTERY TRAY,PLASTIC F/BATTERY
19	1	05050062	BATTERY HOLD DOWN,CROSS-BAR
20	1	05050063	BOLT,BATTERY HOLD DOWN,J-STYLE
21	REF	05050067	HOOD CATCH,RUBBER,W/BRACKET
22	1	05052776	TANK,GAS,12GL,RECT,POLY,
23	8	05041313	CABLE,WIRE,14 GUAGE/2 CONDUCTOR
24	2	05037282	CLAMP,HOSE .500 SST
25	1	05038277	BARB,HOSE,.250 NPT-MALE-BRASS
26	1	05038278	ELBOW,.250 NPT,BRASS,MALE
27	7	05041367	CABLE,WIRE,12&10 GUAGE/7 CONDUCT
28	1	05041264	SWITCH,TOGGLE,SPST,ON-OFF
29	1	05041762	BOOT,TOGGLE SWITCH
30	1	05010603	BOLT .25-20 x 3.50 G8 HHCS ZC
30	1	05016123	BOLT .25-20 x 3.50 HHCS SST
31	1	05010601	BOLT .25-20 x 3.00 G8 HHCS ZC
31	1	05016021	BOLT .25-20 x 3.00 HHCS SST
32	2	05010599	BOLT .25-20 x 2.50 G8 HHCS ZC
32	2	05016119	BOLT .25-20 x 2.50 HHCS SST
33	3	05010595	BOLT .25-20 x 1.50 G8 HHCS ZC
33	3	05016038	BOLT .25-20 x 1.50 HHCS SST
34	8	05010593	BOLT .25-20 x 1.00 G8 HHCS ZC
34	8	05016040	BOLT .25-20 x 1.00 HHCS SST
35	2	05010591	BOLT .25-20 x .750 G8 HHCS ZC
35	2	05016113	BOLT .25-20 x .750 HHCS SST
36	4	05010643	BOLT .375-16 x 1.00 G8 HHCS ZC
36	4	05016034	BOLT .375-16 x 1.00 HHCS SST
37	2	05010644	BOLT .375-16 x 1.25 G8 HHCS ZC
37	2	05016049	BOLT .375-16 x 1.25 HHCS SST
38	4	05010645	BOLT .375-16 x 1.50 G8 HHCS ZC
38	4	05016162	BOLT .375-16 x 1.50 HHCS SST
39	1	05010691	BOLT .500-13 x 1.50 G8 HHCS ZC
39	1	05016096	BOLT .500-13 x 1.50 HHCS SST
40	8	05010690	BOLT .500-13 x 1.25 G8 HHCS ZC
40	8	05016045	BOLT .500-13 x 1.25 HHCS SST

**00012603 ENGINE KIT, 25HP, MANUAL SPEED CONTROL IN REAR**

<b>Item</b>	<b>Qty.</b>	<b>Part Number</b>	<b>Description</b>
41	15	05020899	NUT .250-20 G8 HEX ZC
41	15	05020906	NUT .250-20 G8 HEX SST
42	12	05020891	NUT .375-16 NYLON LOCK 316 SST
42	12	05020898	NUT .375-16 TOPLOCK C&W,GR C
43	8	05020847	NUT .500-12 TOPLOCK C&W,GR C
43	8	05020848	NUT .500-12 NYLON LOCK 316 SST
44	12	05021305	WASHER .250 FLAT ZC
44	12	05021403	WASHER .250 FLAT SST
45	12	05021307	WASHER .375 FLAT ZC
45	12	05021390	WASHER .375 FLAT SST
46	2	05021363	WASHER .250 LOCK ZC
46	2	05021393	WASHER .250 LOCK SST
47	1	05050164	CLAMP, .50 ID,CUSHIONED METAL
48	2	05052475	CLAMP, .375",CUSHIONED METAL,#6,.5"WIDE,SST
49	2	05051780	RUBBER BUFFER,.125x1.500x28.000
50	4FT	05038301	FUEL 1/4 ID PER FOOT
51	2	05051279	CLAMP,FUEL LINE,FOR IN-LINE
52	1	00052282	CRANK ASSY,JACK,48",MS
52	1	00052284	CRANK ASSY,JACK,48",304
53	2	05041780	CONNECTOR,ELEC,16-14GA
54	2	00092699	HINGE PL,SPINNER,MV/MSV,TIP-UP,EU PKG
55	1	05005039	PLUG,KOHLER,SQUARE,F/05005038
56	1	05005040	PLUG,KOHLER,1/2"BUTTON
57	1	05044165	CHECK VALVE,CV12-20,60 PSI
58	1	6402-12-12	HYD FITNG, STRAIGHT THREAD
59	1	6801-12	HYD FITNG, ADAPTER 90*, 1-1/16
60	1	05051008	GAUGE,SIGHT ZIN SG-5-T,F/10/20

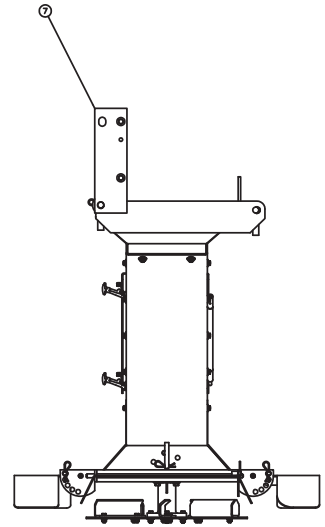
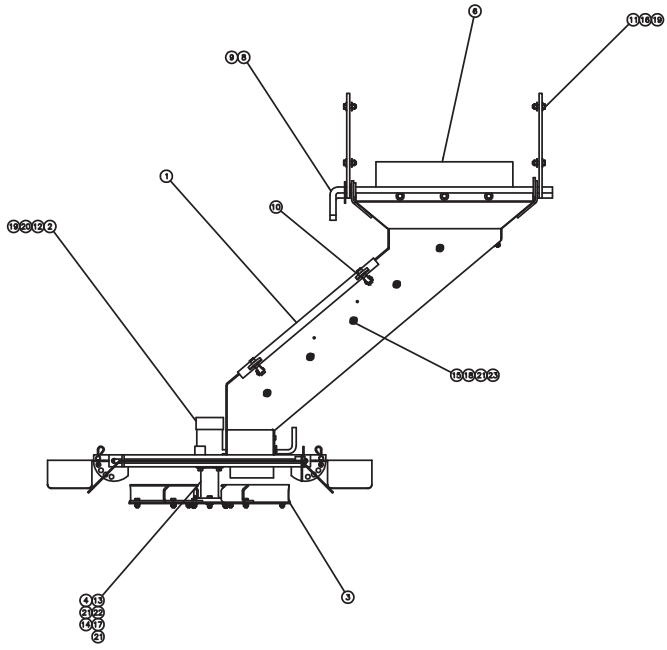
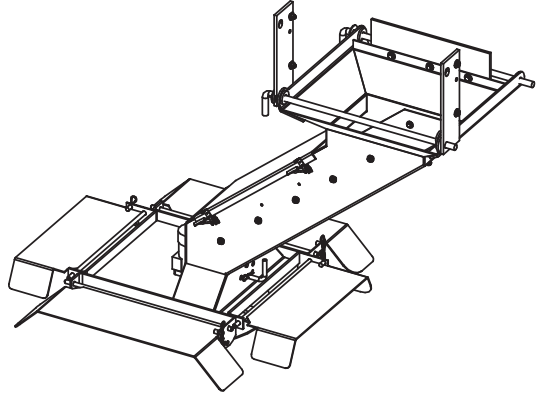
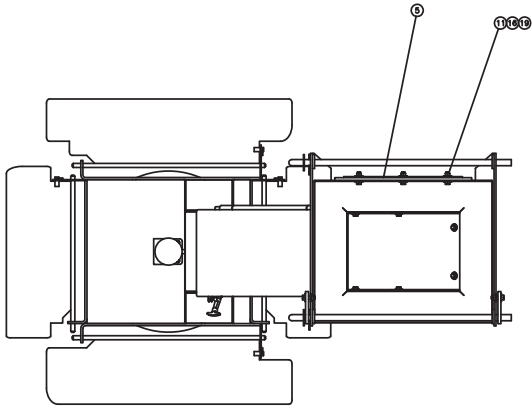
# SPINNER ASSEMBLIES

Top Level #	Lower Spinner Assembly	
<b>Spinners for Conveyor Bodies</b>		
00012816-A\B\E\H\L\M Spinner Assembly, Std Tip-Up	00028053-A\B\F See Page 122	00028000-A\B\C\J\R\S See Page 134
00116300-A\B\C Spinner Assembly, Twin, tip-Up Ext Chute	00140971-A\B See Page 123	00063491-A\B\C See Page 137
00017037-A\B\C\D See Page 108 Spinner Assembly 1/2 Y Center Line Tip-Up	00083702-A\B\C See Page 124	
00055462 -A\B\C\D See Page 111 Spinner Assembly, 1/2 Y-Center Line, Tip-Up	00083702-A\B\C See Page 124	
00010522-A\B\C See Page 113 Spinner Assembly, 1/2Y, Tip-Up, P-Lined	00118283-A\B\C See Page 125	
00016124-A\B\C\D\E\F See Page 114 Spinner Assembly, 1/2Y, Tip-Up	00071202-A\B\C See Page 126	
00017399-A\B\C See Page 116 Spinner Assembly, 1/2Y, Tip-Up, Plined w/cyl	00088859-A\C See Page 127	
00050742-A\B\C See Page 119 Spinner Assembly, Tip-Up Cadillac		00050741-A\B See Page 138
00093341-A\B\C\D\E\F See Page 121 Spinner Assembly, Tip-Up, Cadillac, Bottom Mnt		00041733-A\B\C See Page 139
00010662-A\B\C\D\E\F Spinner Assembly, Tip-Up w/LH Disc Chute w/ Air	00119058-A\B\C See Page 128	00028000-A\B\C\J\R\S See Page 134
00012863-A\B\C\D Spinner Assembly, Tip-Up	00063484-A\B See Page 129	00063491-A\B\C\D See Page 137
00012669-A\B\C\D\E\F Spinner Assembly, Tip-Up w/LH Disc. Chute	00050789-A\B\C See Page 130	00028000-A\B\C\J\R\S See Page 134
00119732-A\B\C\D\E\F Spinner Assembly, Tip-Up w/RH Disc. Chute	00119737-A\B\C See Page 131	00028000-A\B\C\J\R\S See Page 134
00116460-A\B\C Spinner Assembly, Tip-Up w/RH Disc. Chute w/ Air	00143701-A\B\C See Page 132	00143702-A\B\C See Page 140
00016678-A\B Spinner Assembly, Tip-Up w/RH Disc. Chute 7ga	00077600-A\B See Page 133	00076980-A\B See Page 141
00012815-A/B/D/F/J/M/N Spinner Assembly, STD, Bolt-On	00028044-A/B/D/F See Page	00028000-A\B\C\F\J\R\S See Page 134
00078898-A/B/D/C Spinner Assembly, Bolt-On, Bottom Mnt Mtr	00028044-A/B See Page	00071794-A/B/E/F See Page
00100666-A/B/C/D/E/F Spinner Assembly, Y-Chute, 2 Drops, w/Cyls		
00097341-A/B/C/D Spinner Assembly, SwN Style, Bolt-on	00028044-A/B See Page	00097343-A/B/C/D See Page
<b>Spinner Chute Enclosure</b>		
00080876-A\B\C\D\E\F\G Enclosure Kit, Spinner Chute, 10ga	See Page 169	
<b>Spinner Extension Kits</b>		
00019330-A\B Extension Kit, Spinner, 12", 10ga, TipUp	See Page 155	
00012876-A\B Extension Kit, Spinner, 12" 10ga, Bolt-On	See Page 155	



**00017037 SPINNER ASSEMBLY, 1/2 Y-CTR LINE**

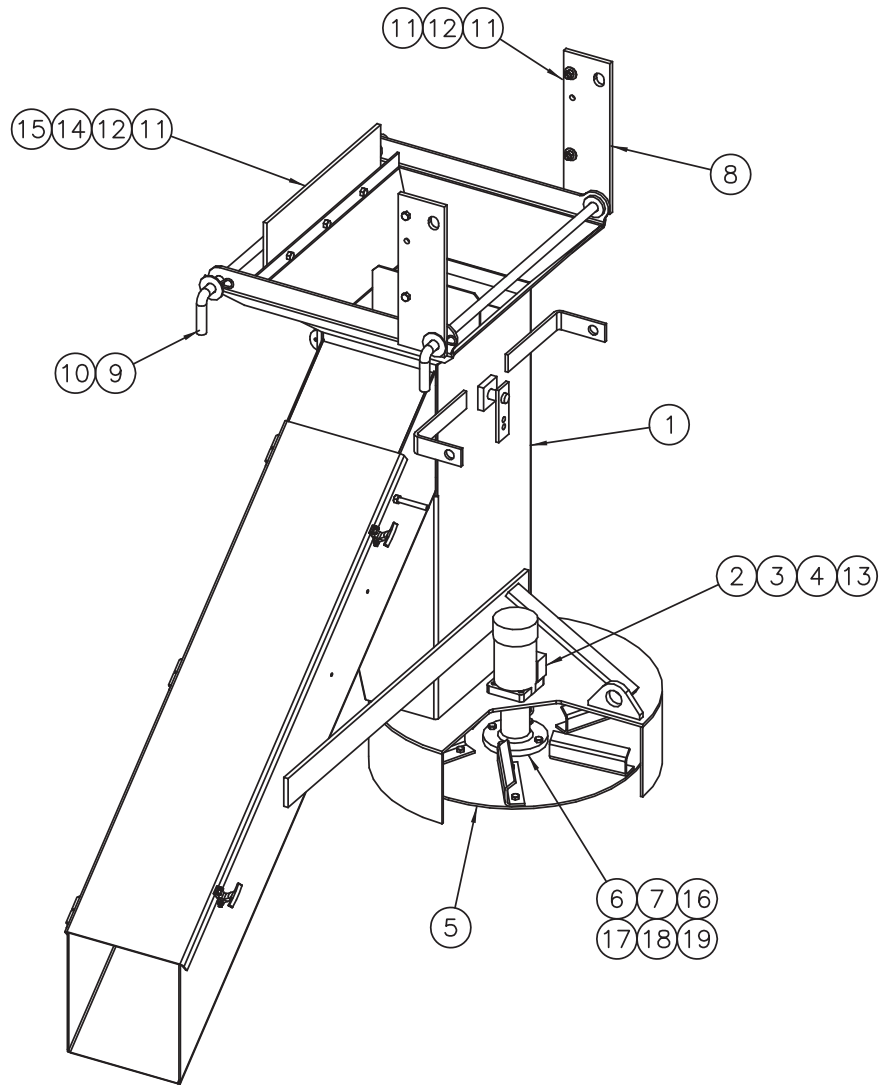
<b>Item</b>	<b>Qty.</b>	<b>Part Number</b>	<b>Description</b>	
1	1	00083702-A	CHUTE ASSY,SPNR,MV/MSV,1/2 Y-CTR LINE	<i>See Page 124</i>
1	1	00083702-B	CHUTE ASSY,SPNR,MV/MSV,1/2 Y-CTR LINE	
1	1	00083702-C	CHUTE ASSY,SPNR,MV/MSV,1/2 Y-CTR LINE	
2	1	05006673	MOTOR,HYD,WHITE 3.2CID,1" SHAFT	<i>See Page 172</i>
3	1	00099404-A	DISC ASSY,SPINNER,20,CCW,MS	<i>See Page 156</i>
3	1	00099404-B	DISC ASSY,SPINNER,20,CCW,304	
3	1	00099404-E	DISC ASSY,SPINNER,20,CCW,AUSST	
3	1	05050794	DISC,SPINNER,20"CCW,RED,POLY	
4	1	05050054	HUB,SPINNER ASSY,EXT SFT,W/SET SCREW	
5	1	00053253-A	SUPPORT,RUBBER FLAP,MS	
5	1	00053253-B	SUPPORT,RUBBER FLAP,304	
5	1	00053253-F	SUPPORT,RUBBER FLAP,AUSST	
6	1	05050056	WIPER,.313x5x17,MV/MSV	
7	2	00035112	HINGE PL,SPINNER,MV/MSV,TIP-UP,MS	
7	2	00147632	HINGE PL,SPINNER,MV/MSV,TIP-UP,AUSST	
8	2	00022880	LATCH ROD ASSY	
9	2	05022035	PIN #11 HAIR ZC	
10	7	05010644	BOLT .375-16x1.25 G8 HHCS ZC	
10	7	05016049	BOLT .375-16x1.25 HHCS SST	
11	4	05010642	BOLT .375-16x.875 G8 HHCS ZC	
11	4	05016050	BOLT .375-16x.875 HHCS SST	
12	1	05010630	BOLT .313-18x4.00 G8 HHCS ZC	
12	1	05016150	BOLT .313-18x4.00 HHCS SST	
13	4	05010619	BOLT .313-18x1.25 G8 HHCS ZC	
13	4	05016139	BOLT .313-18x1.25 HHCS SST	
14	7	05020891	NUT .375-16 NYLON LOCK 316 SST	
14	7	05020898	NUT .375-16 GC TOPLOCK C&W	
15	4	05020265	NUT .313-18 G8 HEX ZC	
15	4	05020855	NUT .313-18 HEX 304	
16	18	05021307	WASHER .375 FLAT ZC	
16	18	05021390	WASHER .375 FLAT SST	
17	4	05021365	WASHER .375 LOCK ZC	
17	4	05021392	WASHER .375 LOCK SST	
18	5	05021306	WASHER .313 FLAT ZC	
18	5	05021404	WASHER .313 FLAT SST	
19	5	05021364	WASHER .313 LOCK ZC	
19	5	05021407	WASHER .313 LOCK SST	





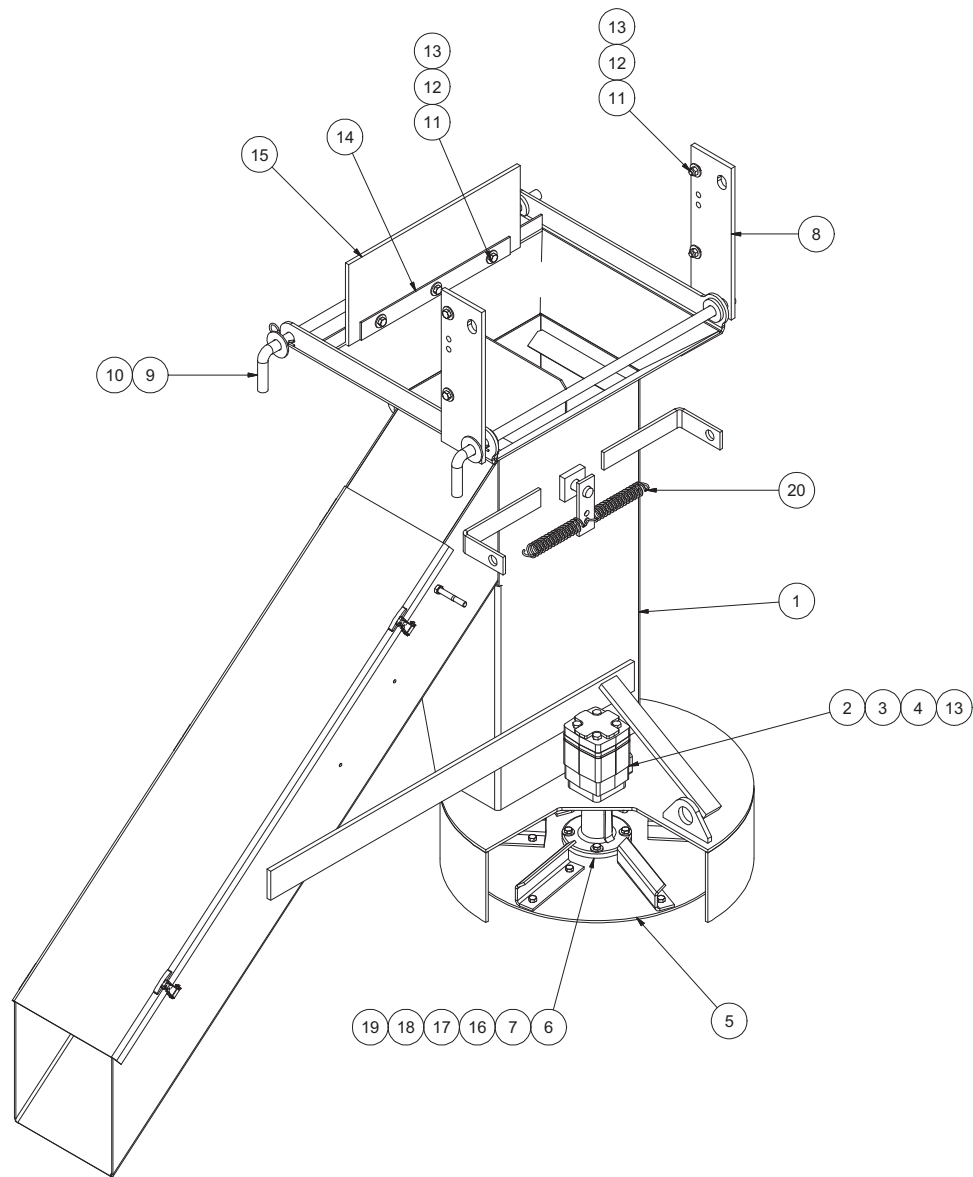
**00055462 SPINNER ASSEMBLY, 1/2 Y-CENTER LINE, TIP UP, POLY LINED**

Item	Qty	Part Number	Description
1	1	00083702-A 00083702-B	CHUTE ASSEMBLY, SPINNER, 1/2 Y-CENTER LINE, MS <i>See Page 124</i> CHUTE ASSEMBLY, SPINNER, 1/2 Y-CENTER LINE, SST
2	1	05006673	MOTOR, HYDRAULIC, WHITE, 3.2 CID, 1" SHAFT <i>See Page 172</i>
3	1	00099404-A 00099404-B	DISC ASSEMBLY, SPINNER, 20 CCW, MS <i>See Page 156</i> DISC ASSEMBLY, SPINNER, 20 CCW, SST
4	1	05050054	HUB, SPINNER ASSEMBLY, EXTENDED SHAFT, W/ SET SCREW
5	1	00053253-A 00053253-B	SUPPORT, RUBBER FLAP, MS SUPPORT, RUBBER FLAP, AUSST
6	1	05050056	WIPER, 5/8" X 5 X 17
7	2	00035112	HINGE PLATE, SPINNER, TIP-UP
8	2	00022880	LATCH ROD ASSEMBLY
9	2	05022035	PIN, #11 HAIR, ZINC
10	1	00105784	LINER, POLY, SPINNER CHUTE
11	7	05010644 05016049	BOLT, 5/16-16 X 1 1/4, G8, HHCS, ZINC BOLT, 5/16-16 X 1 1/4, HHCS, SST
12	4	05010642 05016050	BOLT, .375-16 X .875, G8, HHCS, ZINC BOLT, .375-16 X .875, HHCS, SST
13	1	05010630 05016150	BOLT, .313-18 X 4, G8, HHCS, ZINC BOLT, .313-18 X 4, HHCS, SST
14	4	05010619 05016139	BOLT, 5/16-18 X 1 1/4, G8, HHCS, ZINC BOLT, 5/16-18 X 1 1/4, HHCS, SST
15	12	05010616 05016136	BOLT, .313-18 X .750, G8, HHCS, ZINC BOLT, .313-18 X .750, HHCS, SST
16	7	05020898 05020891	NUT, 5/16-16, GC, TOP LOCK, C&W NUT, 5/16-16, NYLON LOCK, SST
17	4	05020265 05020855	NUT, 5/16-18, G8, HEX, ZINC NUT, 5/16-18, G8, HEX, SST
18	12	05020909 05020907	NUT, .313-18, GC, TOP LOCK, C&W NUT, .313-18, NYLON LOCK, 316 SST
19	18	05021307 05021390	WASHER, .375, FLAT, ZINC WASHER, .375, FLAT, SST
20	4	05021365 05021392	WASHER, .375, LOCK, ZINC WASHER, .375, LOCK, SST
21	17	05021306 05021404	WASHER, .313, FLAT, ZINC WASHER, .313, FLAT, SST
22	5	05021364 05021407	WASHER, .313, LOCK, ZINC WASHER, .313, LOCK, SST
23	12	05021160 05021412	WASHER, .313 X 1.25 FENDER WASHER, .313 X 1.50, FENDER SST



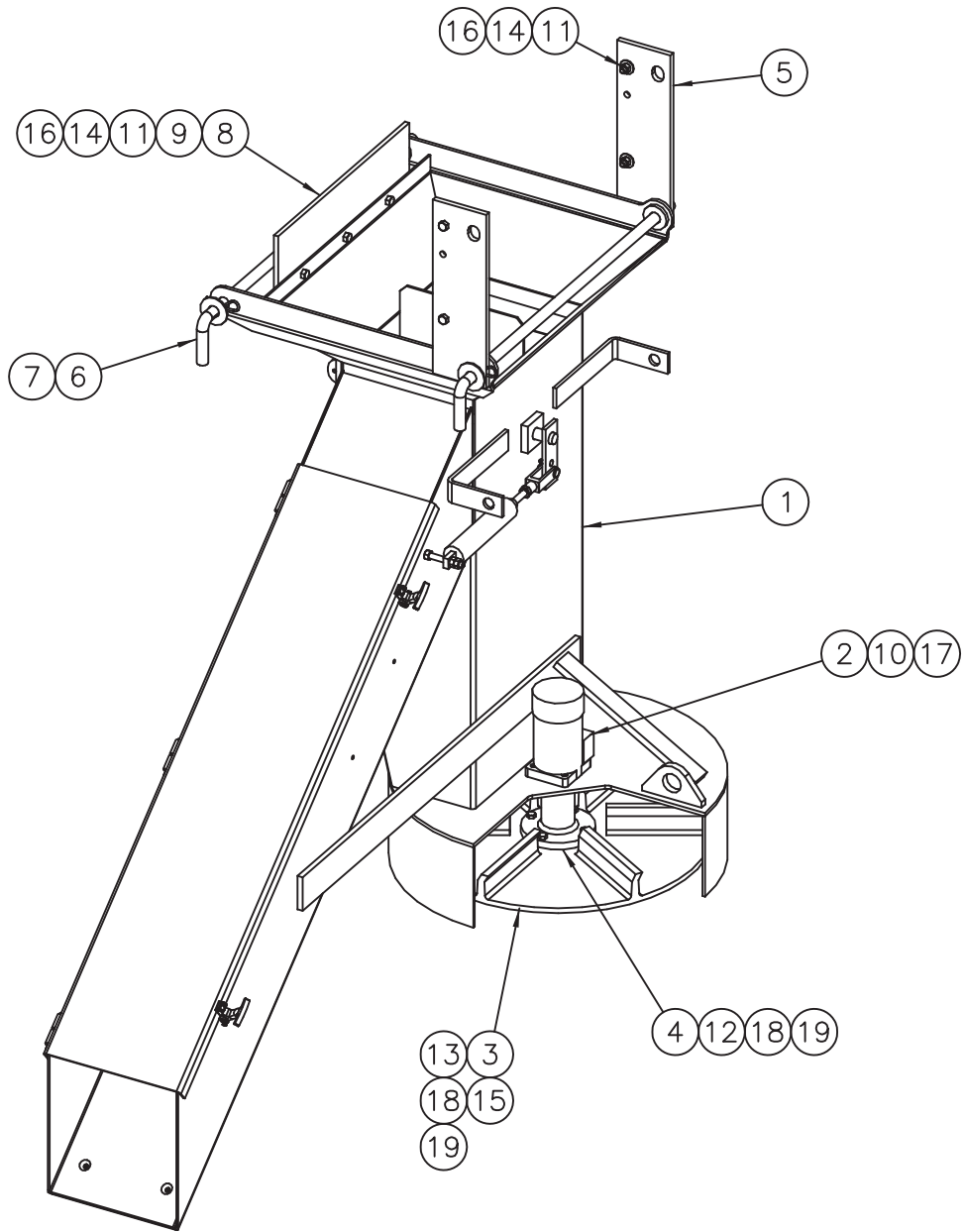
**00010522 SPINNER ASSEMBLY, 1/2 Y CHUTE, POLY LINED TIP UP**

Item	Qty	Part Number	Description
1	1	00118283-A 00118283-B 00118286-C	CHUTE ASSEMBLY, 1/2 Y SPINNER, TIP, MS CHUTE ASSEMBLY, 1/2 Y SPINNER, TIP, 304SST CHUTE ASSEMBLY, 1/2 Y SPINNER, TIP, AUSST <i>See Page 125</i>
2	1	05006673	MOTOR, HYD, WHITE, 3.2CI, 4BOLT, 1" SHAFT <i>See Page 172</i>
3	4	05010642 05016050	BOLT, .375-16 X .875, G8, HHCS, ZINC BOLT, .375-16 X .875, HHCS, SST
4	4	05021365 05021392	WASHER, .375, LOCK, ZINC WASHER, .375, LOCK, SST
5	1	00099404-A 00099404-B 00099404-E	DISC ASSEMBLY, SPINNER, 20, CCW, .188, MS DISC ASSEMBLY, SPINNER, 20, CCW, .188, 304SST DISC ASSEMBLY, SPINNER, 20, CCW, .188, AUSST <i>See Page 156</i>
6	1	05050054	HUB, SPINNER, EXTENDED
7	1	05010630 05016150	BOLT, .313-18 X 4, G8, HHCS, ZINC BOLT, .313-18 X 4, HHCS, SST
8	2	00035112	HINGE PLATE, SPINNER, TIP UP
9	2	00022880	LATCH ROD ASSEMBLY
10	2	05022035	PIN, #11,HAIR, ZINC
11	7	05010644 05016049	BOLT, .375-16 X 1.25, G8, HHCS, ZINC BOLT, .375-16 X 1.25, HHCS, SST
12	7	05020898 05020891	NUT, .375-16, GC, TOP LOCK C&W NUT, .375-16, NYLON LOCK, SST
13	18	05021307 05021390	WASHER, .375, FLAT, ZINC WASHER, .375, FLAT, SST
14	1	00053253-A 00053253-B 00053253-F	SUPPORT, WIPER, SPINNER, MS SUPPORT, WIPER, SPINNER, 304SST SUPPORT, WIPER, SPINNER, AUSST
15	1	05050055	WIPER, 7 X 17
16	5	05021306 05021404	WASHER, .313, FLAT, ZINC WASHER, .313, FLAT, SST
17	5	05021364 05021407	WASHER, .313, LOCK, ZINC WASHER, .313, LOCK, SST
18	4	05010619 05016139	BOLT, .313-18 X 1.25, G8, HHCS, ZINC BOLT, .313-18 X 1.25, HHCS, SST
19	4	05020265 05020855	NUT, .313-18, G8, HEX, ZINC NUT, .313-18, HEX, SST
20	2	05035056	SPRING, EXTENSION, 1 OD X 6



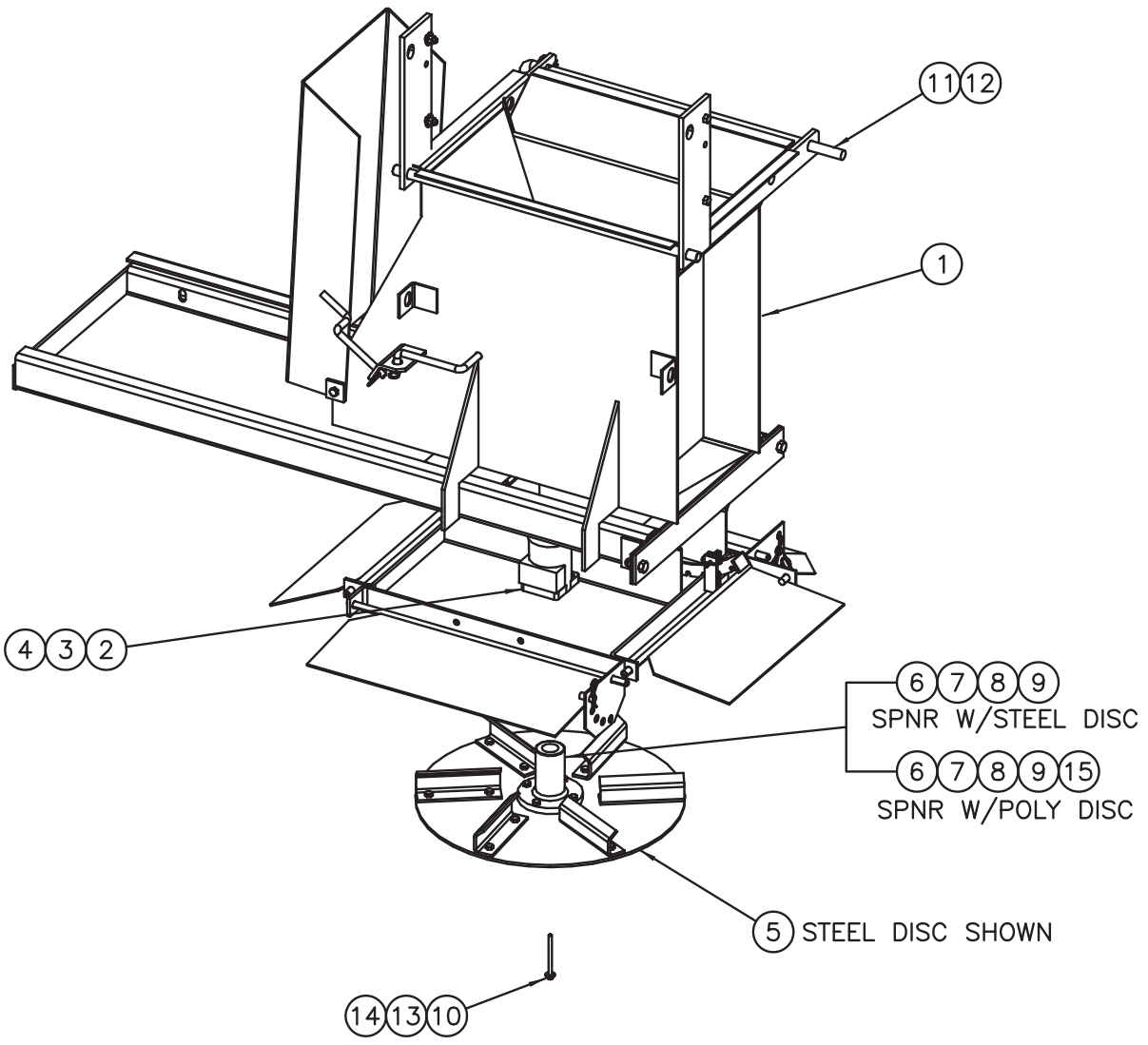
**00016124 SPINNER ASSEMBLY, 1/2Y, TIP UP**

ITEM	QTY	PART NUMBER	DESCRIPTION	
1	1	00071202-A	CHUTE ASSY,1/2-Y SPNR,MV/MSV	
1	1	00071202-B	CHUTE ASSY,1/2-Y SPNR,MV/MSV	<i>See Page 126</i>
1	1	00071202-C	CHUTE ASSY,1/2-Y SPNR,MV/MSV	
2	1	05006673	MOTOR,HYD,WHITE,3.2CI,4B,1"EXT	<i>See Page 172</i>
3	4	05010642	BOLT .375-16 x .875 G8 HHCS ZC	
3	4	05016050	BOLT .375-16 x .875 HHCS SST	
4	4	05021365	WASHER .375 LOCK ZC	
4	4	05021392	WASHER .375 LOCK SST	
5	1	00099404-A	DISC ASSY,SPNR,20,CCW,.188,MS	<i>See Page 156</i>
5	1	00099404-B	DISC ASSY,SPNR,20,CCW,7GA,304	
5	1	00099404-E	DISC ASSY,SPNR,20,CCW,7GA,AUST	
5	1	05050794	DISC,SPINNER,20 CCW,POLY,RED	<i>See Page 158</i>
6	1	05050054	HUB,SPINNER ASSY,EXT SFT,W/	
7	1	05010630	BOLT .313-18 x 4.00 G8 HHCS ZC	
7	1	05016150	BOLT .313-18 x 4.00 HHCS SST	
8	2	00035112	HINGE PL,SPINNER,MV/MSV,TIP-UP	
8	2	00147632	HINGE PL,SPINNER,MV/MSV,TIP-UP, SST	
9	2	00022880	LATCH ROD ASSEMBLY	
10	2	05022035	PIN #11 HAIR ZC	
11	7	05010644	BOLT .375-16 x 1.25 G8 HHCS ZC	
11	7	05016049	BOLT .375-16 x 1.25 HHCS SST	
12	7	05020898	NUT .375-16 GC TOPLOCK C&W	
12	7	05020891	NUT .375-16 NYLON LOCK 316 SST	
13	18	05021307	WASHER .375 FLAT ZC	
13	18	05021390	WASHER .375 FLAT SST	
14	1	00053253-A	SUPPORT,WIPER,SPINNER,MV/MSV	
14	1	00053253-B	SUPPORT,WIPER,SPINNER,MV/MSV	
14	1	00053253-F	SUPPORT,WIPER,SPINNER,MV/MSV	
15	1	05050055	WIPER,2PLY RUBBER,17x.313x7	
16	5	05021306	WASHER .313 FLAT ZC	
16	5	05021404	WASHER .313 FLAT SST	
17	5	05021364	WASHER .313 LOCK ZC	
17	5	05021407	WASHER .313 LOCK SST	
18	4	05010619	BOLT .313-18 x 1.25 G8 HHCS ZC	
18	4	05016139	BOLT .313-18 x 1.25 HHCS SST	
18	4	05010620	BOLT .313-18 x 1.50 G8 HHCS ZC	
18	4	05016140	BOLT .313-18 x 1.50 HHCS SST	
19	4	05020265	NUT .313-18 G8 HEX ZC	
19	4	05020855	NUT .313-18 HEX SST	
20	2	05035056	SPRING,EXT,1"OD,6"OAL	



**00017399 SPINNER ASSEMBLY, 1/2Y, TIP UP POLY LINER**

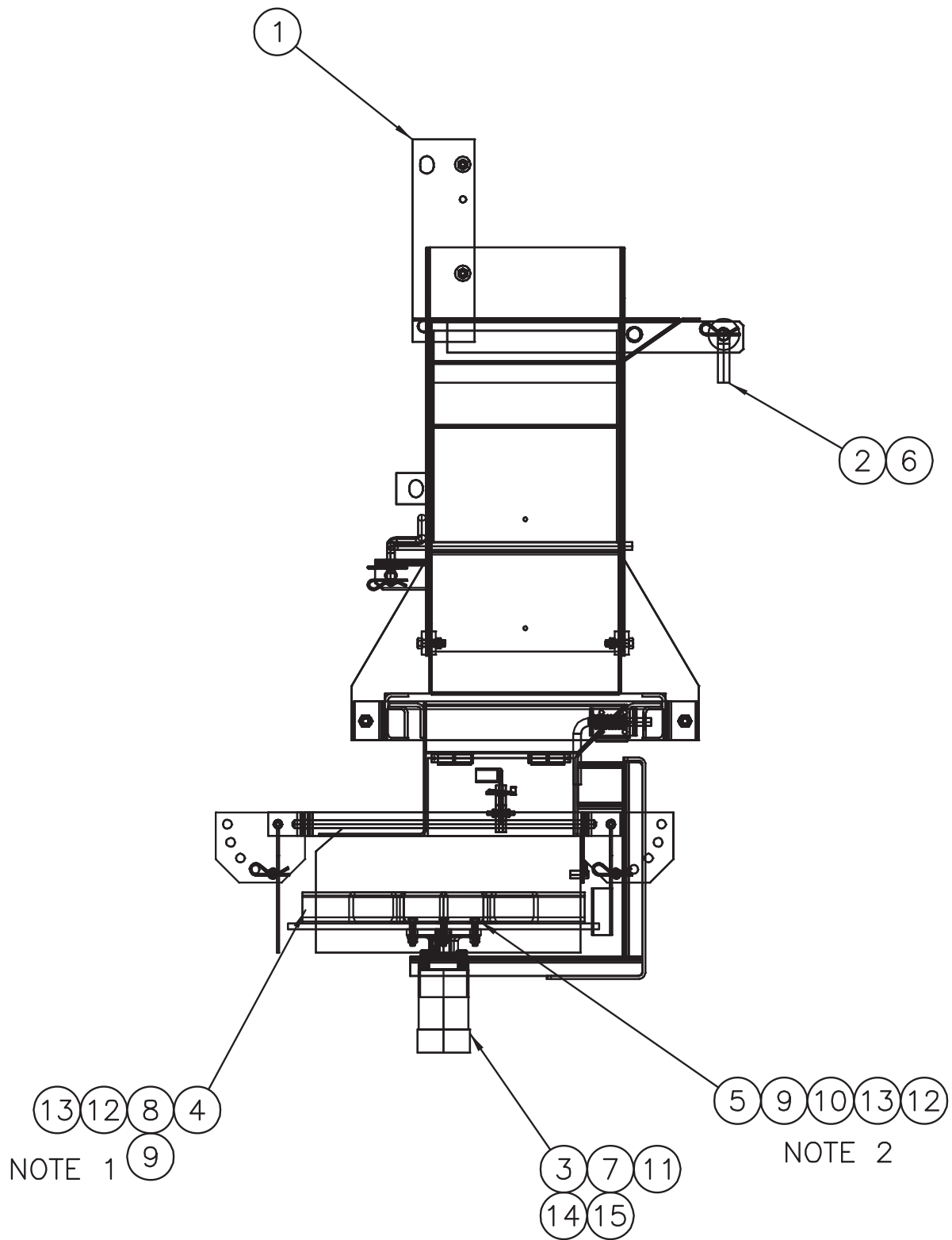
<b>Item</b>	<b>Qty.</b>	<b>Part Number</b>	<b>Description</b>
1	1	00088859-A	CHUTE ASSY,1/2-Y SPNR,TIP-UP,MV/MSV,MS <i>See Page 127</i>
1	1	00088859-B	CHUTE ASSY,1/2-Y SPNR,TIP-UP,MV/MSV,304
1	1	00088859-C	CHUTE ASSY,1/2-Y SPNR,TIP-UP,MV/MSV,AUSST
2	1	05006673	MOTOR,HYD,WHITE,3.2 CID,1" SHAFT <i>See Page 172</i>
3	1	05050794	SPINNER DISC,20,CCW,POLY <i>See Page 158</i>
4	1	05050054	EXTENDED SPINNER HUB
5	2	00035112	HINGE PL,SPINNER,MV/MSV,TIP-UP,MS
5	2	00147632	HINGE PL,SPINNER,MV/MSV,TIP-UP,AUSST
6	2	00022880	LATCH ROD ASSY
7	2	05022035	PIN #11 HAIR ZC
8	1	00053253-A	SUPPORT,RUBBER FLAP,MS
8	1	00053253-B	SUPPORT,RUBBER FLAP,304
8	1	00053253-F	SUPPORT,RUBBER FLAP,AUSST
9	1	05050055	WIPER,7.000x17.000
10	4	05010642	BOLT .375-16x.875 G8 HHCS ZC
10	4	05016050	BOLT .375-16x.875 HHCS SST
11	7	05010644	BOLT .375-16x1.25 G8 HHCS ZC
11	7	05016049	BOLT .375-16x1.25 HHCS SST
12	1	05010630	BOLT .313-18x4.00 G8 HHCS ZC
12	1	05016150	BOLT .313-18x4.00 HHCS SST
13	4	05010620	BOLT .313-18x1.50 G8 HHCS ZC
13	4	05016140	BOLT .313-18x1.50 HHCS SST
14	7	05020891	NUT .375-16 NYLON LOCK 316 SST
14	7	05020898	NUT .375-16 GC TOPLOCK C&W
15	4	05020907	NUT .313-18 NYLON LOCK 316 SST
15	4	05020909	NUT .313-18 GC TOPLOCK C&W
16	14	05021307	WASHER .375 FLAT ZC
16	14	05021390	WASHER .375 FLAT SST
17	4	05021365	WASHER .375 LOCK ZC
17	4	05021392	WASHER .375 LOCK SST
18	5	05021306	WASHER .313 FLAT ZC
18	5	05021404	WASHER .313 FLAT SST
19	5	05021364	WASHER .313 LOCK ZC
19	5	05021407	WASHER .313 LOCK SST





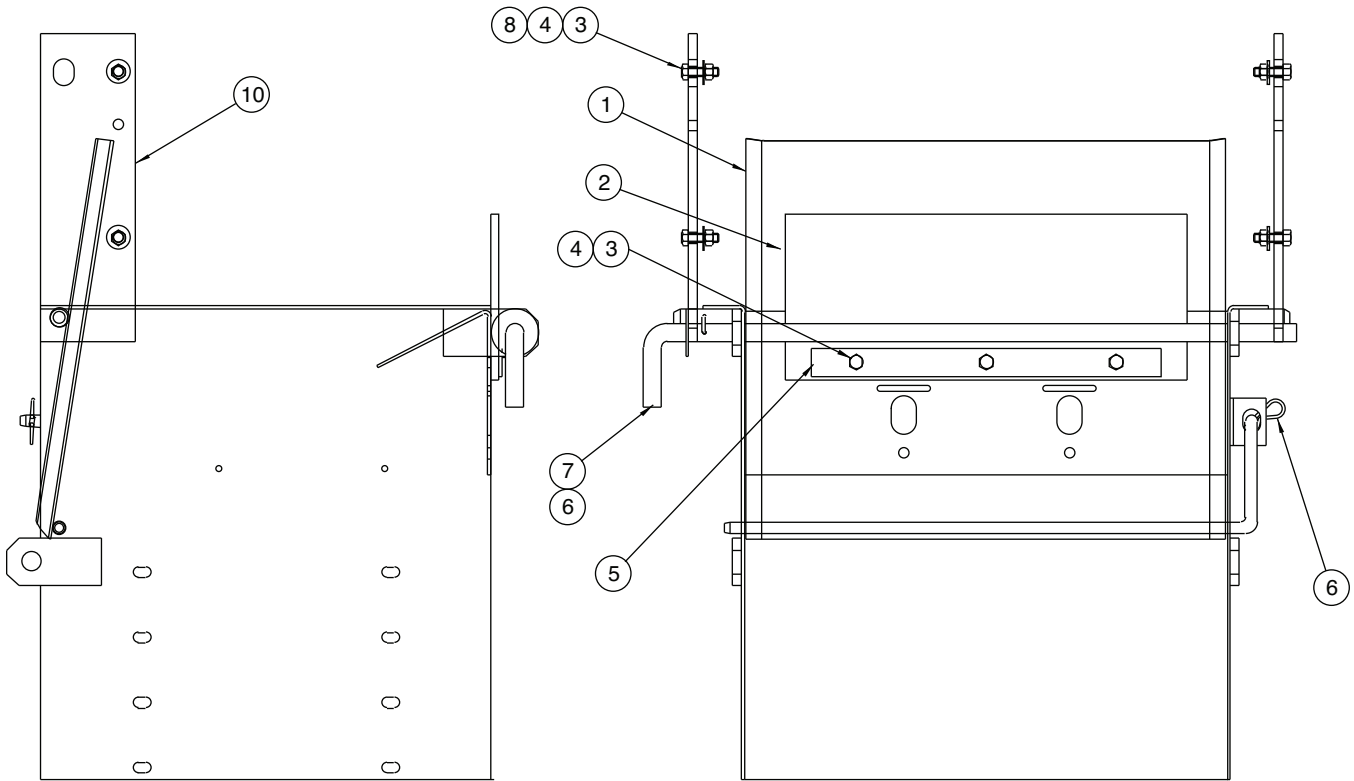
**00050742 SPINNER ASSEMBLY, CADILLAC SPINNER**

<b>Item</b>	<b>Qty</b>	<b>Part Number</b>	<b>Description</b>
1	1	00050741-A 00050741-B	SPINNER ASSEMBLY, UPPER/LOWER, MS SPINNER ASSEMBLY, UPPER/LOWER, SST <i>See Page 138</i>
2	1	05006585	MOTOR, HYDRAULIC, EATON, 2.8 CID, 4-BOLT, 1" SHAFT <i>See Page 172</i>
3	4	05010642 05016050	BOLT, 3/8-16 X 7/8, G8, HHCS, ZINC BOLT, 3/8-16 X 7/8, HHCS, SST
4	4	05021365 05021392	WASHER, 3/8, LOCK, SC WASHER, 3/8, LOCK, SST
5	1	00099404-A 00099404-B 05050794	DISC ASSEMBLY, SPINNER, 20", CCW, MS DISC ASSEMBLY, SPINNER, 20", CCW, SST <i>See Page 156</i> DISC, SPINNER, 20" CCW, POLY WITH MOLDED FLIGHTS <i>See Page 158</i>
6	1	05050054	HUB, SPINNER ASSEMBLY, EXT SHAFT, W/ SET SCREW
7	4	05010619 05016139	BOLT, 5/16-18 X 1 1/4, G8, HHCS, ZINC BOLT, 5/16-18 X 1 1/4, HHCS, SST
8	4	05020265 05020855	NUT, 5/16-18, G8, HEX, ZINC NUT, 5/16-18, G8, HEX, SST
9	4	05021364 05021407	WASHER, 5/16, LOCK, ZINC WASHER, 5/16, LOCK, SST
10	1	05010603	BOLT, 1/4-20 X 3 1/2, G8, HHCS, ZINC
11	1	00022880	LATCH ROD ASSEMBLY, MS, TIP-UP
12	1	05022002	PIN, #8, HAIR
13	1	05021305 05021403	WASHER, 1/4, FLAT, ZINC WASHER, 1/4, FLAT, SST
14	1	05021363 05021393	WASHER, 1/4, LOCK, ZINC WASHER, 1/4, LOCK, SST



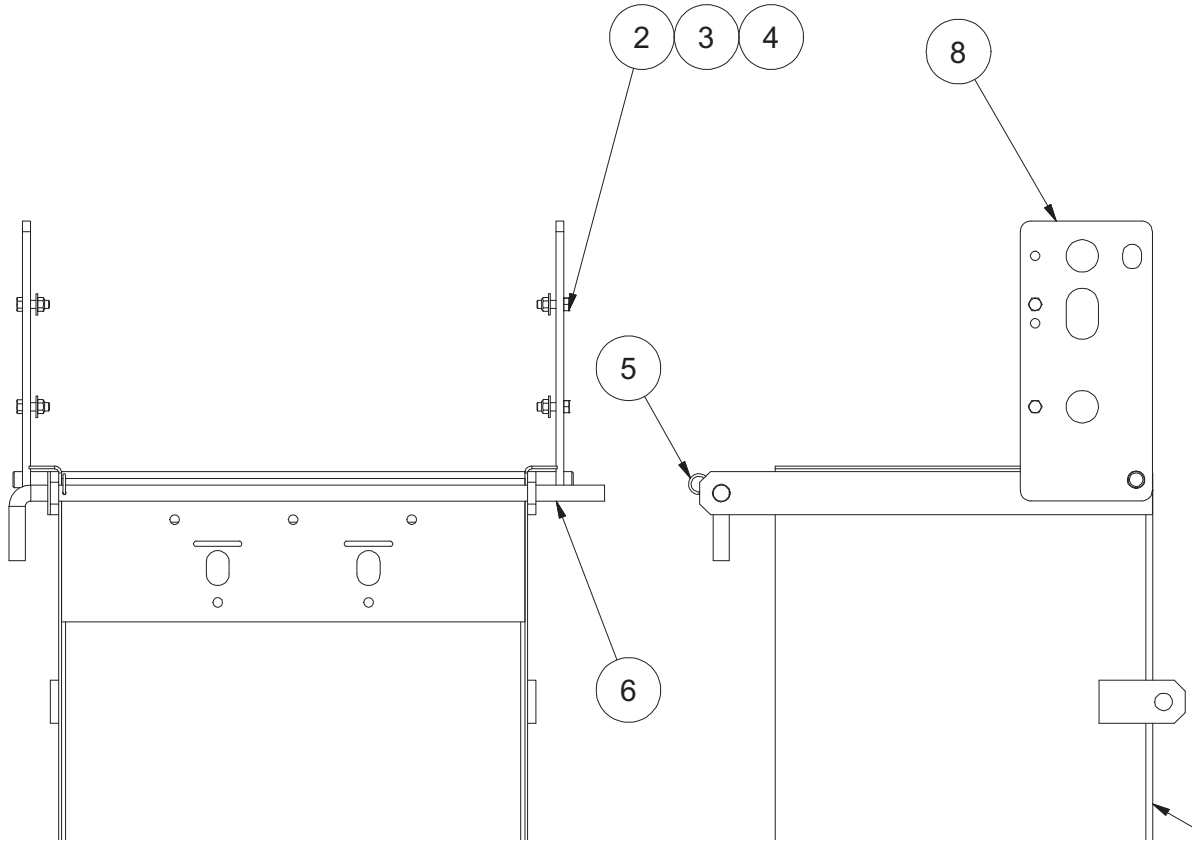
**00093341 SPINNER ASSEMBLY, CADILLAC SPINNER, BOTTOM MNT MTR**

Item	Qty	Part Number	Description
1	1	00041733-A 00041733-B 00041733-C	SPINNER ASSEMBLY, UPPER/LOWER, MS SPINNER ASSEMBLY, UPPER/LOWER, 304SST SPINNER ASSEMBLY, UPPER/LOWER, AUSST <i>See Page 139</i>
2	1	00022880	LATCH ROD ASSEMBLY, MS, TIP-UP
3	1	05006673	MOTOR, HYD WHITE, 3.2 CI, 4B, 1" SHAFT <i>See Page 172</i>
4	1	00099404-A 00099404-B 00099404-E 05050794	DISC ASSEMBLY, SPINNER, 20", CCW, MS DISC ASSEMBLY, SPINNER, 20", CCW, 304 SST DISC ASSEMBLY, SPINNER, 20", CCW, AUSST DISC, SPINNER, 20" CCW, POLY WITH MOLDED FLIGHTS <i>See Page 156</i> <i>See Page 158</i>
5	1	05051380	HUB, SPINNER ASSEMBLY, SHAFT, W/ SET SCREW
6	1	05022002	PIN, #8, HAIR
7	4	05010645 05016162	BOLT, .375-16 X 1.50, G8, HHCS, ZINC BOLT, .375-16 X 1.5, HHCS, SST
8	1	05010618	BOLT, .313-18 X 1, G8, HHCS, ZINC
9	4	05010619 05016139	BOLT, 5/16-18 X 1 1/4, G8, HHCS, ZINC BOLT, 5/16-18 X 1 1/4, HHCS, SST
10	4	05020265 05020855	NUT, 5/16-18, G8, HEX, ZINC NUT, 5/16-18, G8, HEX, SST
11	4	05021365 05021392	WASHER, .375, LOCK, ZINC WASHER, .375, LOCK, SST
12	1	05021306	WASHER, .313, FLAT, ZINC
13	5	05021364	WASHER, 5/16, LOCK, ZINC
14	1	00122073	SEAL SAVER, MOTOR, SPINNER
15	1	05050288	GREASE ZERK



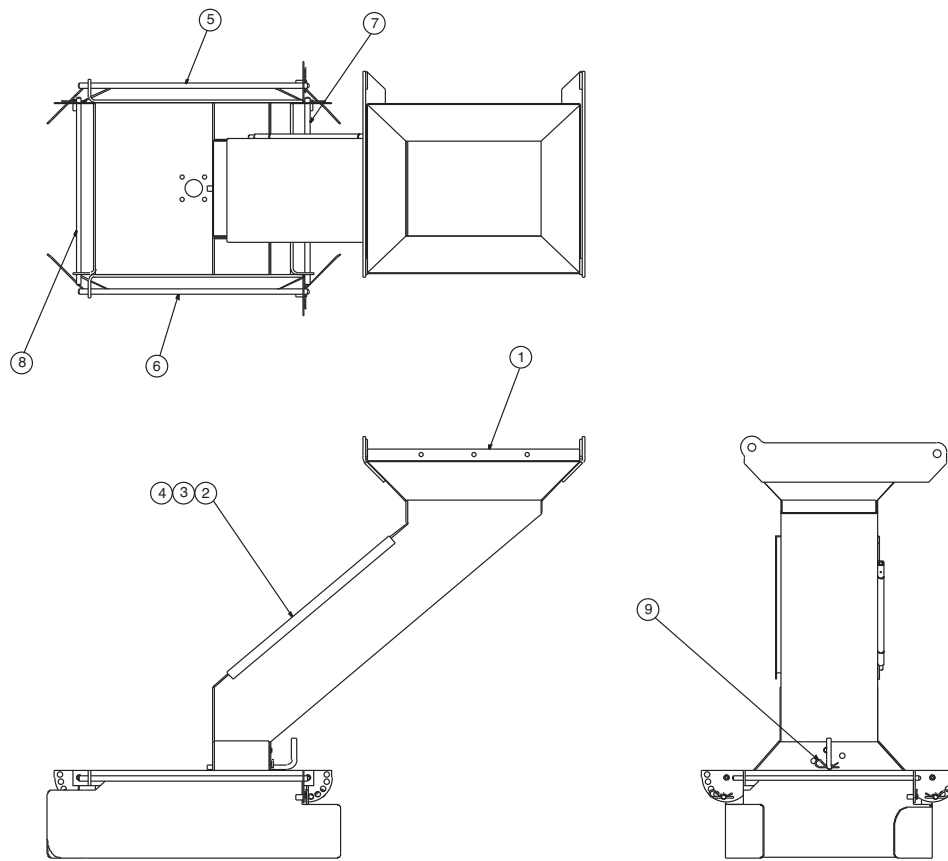
### 00028053 CHUTE ASSEMBLY, TIP-UP

Item	Qty	Part Number	Description
1	1	00028057-A 00028057-B 00028057-F	CHUTE WELDMENT, SPINNER, TIP-UP, MS CHUTE WELDMENT, SPINNER, TIP-UP, 304SST CHUTE WELDMENT, SPINNER, TIP-UP, AUSST
2	1	05050055	WIPER, REAR
3	7	05010644 05010649	BOLT, $\frac{3}{8}$ -16 X 1 $\frac{1}{4}$ , G8, HHCS, ZINC BOLT, $\frac{3}{8}$ -16 X 1 $\frac{1}{4}$ , HHCS, SST
4	7	05020898 05020891	NUT, $\frac{3}{8}$ -16, GC, TOP LOCK, C&W NUT, $\frac{3}{8}$ -16, GC, NYLON LOCK, SST
5	1	00053253-A 00053253-B 00053253-F	WIPER BRACKET, MS WIPER BRACKET, 304SST WIPER BRACKET, AUSST
6	2	05022035	PIN, $\frac{1}{8}$ , HAIR
7	1	00022880	LATCH ROD ASSEMBLY
8	4	05021307 05021390	WASHER, $\frac{3}{8}$ , FLAT, ZINC WASHER, $\frac{3}{8}$ , FLAT, SST
9	3	05051402	DECAL - DANGER: TURNING SPINNERS
10	2	00035112 00147632	HINGE PLATE, SPINNER, MS HINGE PLATE, SPINNER, AUSST
11	1	00091758	CANISTER KIT, MANUAL STORAGE



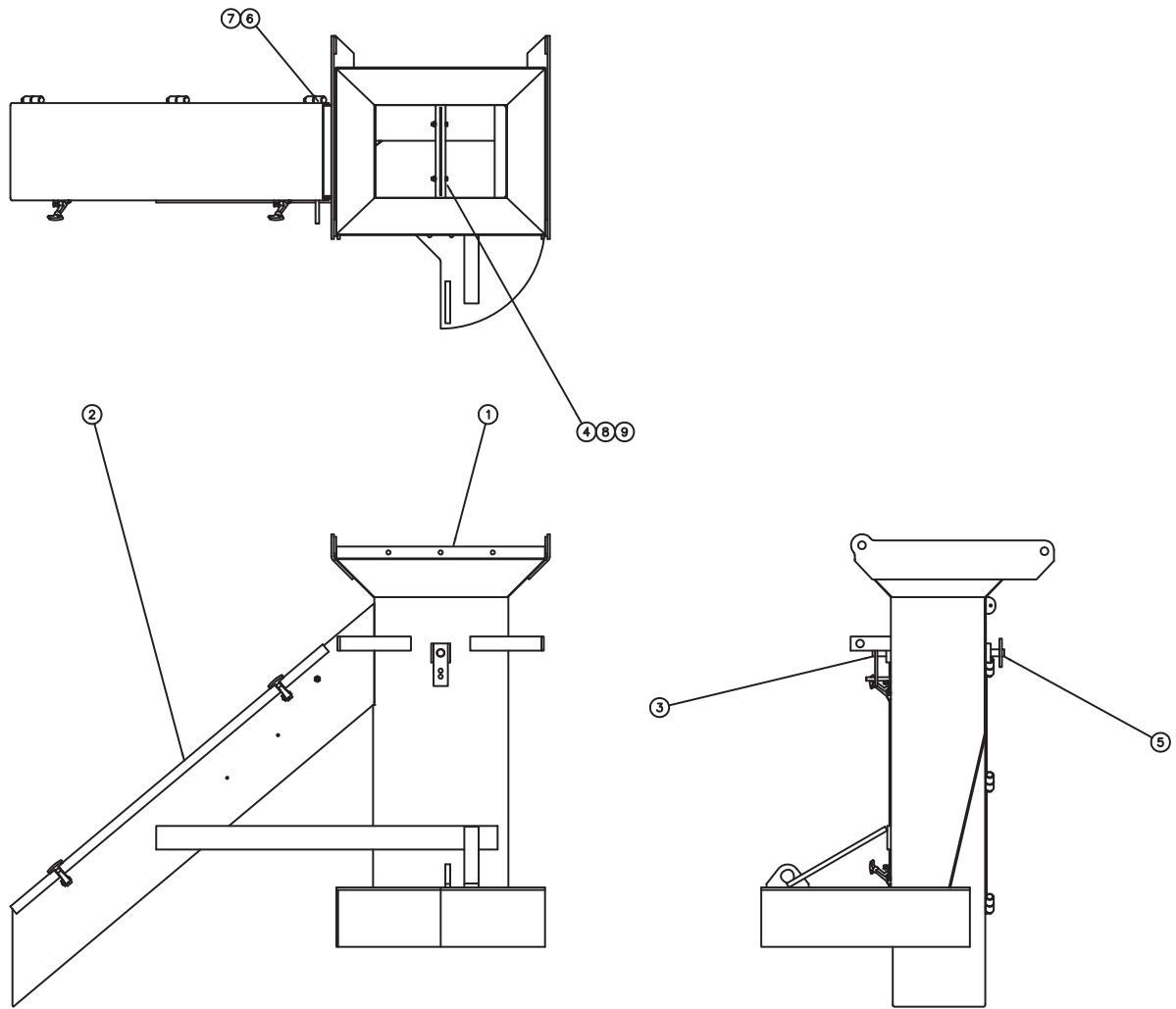
**00140971 CHUTE ASSEMBLY, TWIN SPINNER EXT TIP-UP**

Item	Qty	Part Number	Description
1	1	00140970-A 00140970-B 00140970-C	CHUTE WELDMENT, TWIN SPINNER, EXT, MS CHUTE WELDMENT, TWIN SPINNER, EXT, 304SST CHUTE WELDMENT, TWIN SPINNER, EXT, AUSST
2	4	05010644 05010649	BOLT, 3/8-16 X 1 1/4, G8, HHCS, ZINC BOLT, 3/8-16 X 1 1/4, HHCS, SST
3	4	05020898 05020891	NUT, 3/8-16, GC, TOP LOCK, C&W NUT, 3/8-16, GC, NYLON LOCK, SST
4	4	05021307 05021390	WASHER, 3/8, FLAT, ZINC WASHER, 3/8, FLAT, SST
5	1	05022035	PIN, 1/8, HAIR
6	1	00022880	LATCH ROD ASSEMBLY
7	3	05051402	DECAL - DANGER: TURNING SPINNERS
8	2	00035112	BRACKET, MOUNTING



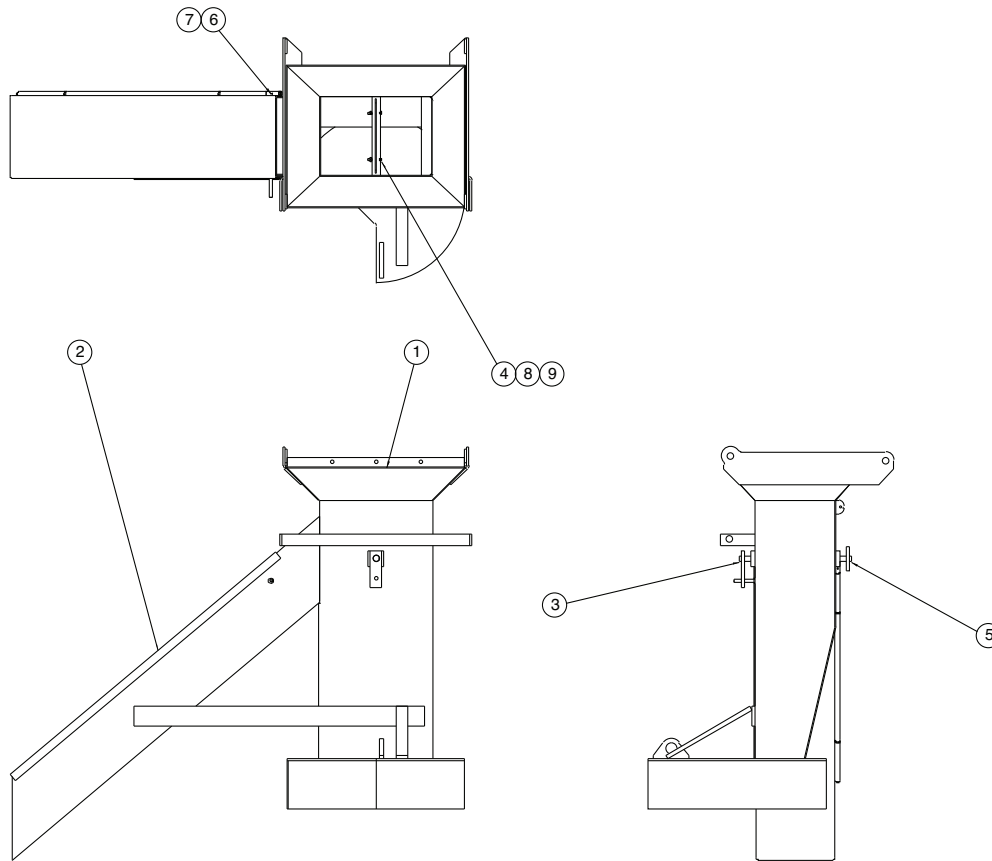
### 00083702 CHUTE ASSEMBLY, SPINNER, 1/2 Y CENTER LINE

Item	Qty	Part Number	Description
1	1	00083701-A 00083701-B 00083701-C	CHUTE WELDMENT, SPINNER, 1/2 Y-CENTER LINE, MS CHUTE WELDMENT, SPINNER, 1/2 Y-CENTER LINE, 304SST CHUTE WELDMENT, SPINNER, 1/2 Y-CENTER LINE, AUSST
2	1	00058874-A 00058874-B 00058874-C	LID WELDMENT, SIDE CHUTE, Y-SPINNER, MS LID WELDMENT, SIDE CHUTE, Y-SPINNER, 304SST LID WELDMENT, SIDE CHUTE, Y-SPINNER, AUSST
3	2	05022055 05022069	PIN, .5X 2.5, CLEVIS, ZINC PIN, .5X 2.5, CLEVIS, SST
4	2	05022072	PIN, .156 X .875, ROLL, ZINC
5	1	00023730-A 00023730-B 00023730-F	DEFLECTOR WELDMENT, FRONT, MS DEFLECTOR WELDMENT, FRONT, 304SST DEFLECTOR WELDMENT, FRONT, AUSST
6	1	00023731-A 00023731-B 00023731-F	DEFLECTOR WELDMENT, REAR, MS DEFLECTOR WELDMENT, REAR, 304SST DEFLECTOR WELDMENT, REAR, AUSST
7	1	00023732-A 00023732-B 00023732-F	DEFLECTOR WELDMENT, SIDE, RH, MS DEFLECTOR WELDMENT, SIDE, RH, 304SST DEFLECTOR WELDMENT, SIDE, RH, AUSST
8	1	00023733-A 00023733-B 00023733-F	DEFLECTOR WELDMENT, SIDE, LH, MS DEFLECTOR WELDMENT, SIDE, LH, 304SST DEFLECTOR WELDMENT, SIDE, LH, AUSST
9	5	05022035	PIN, #11, HAIR, ZINC
10	1	00091758	CANISTER KIT, MANUAL STORAGE



### 00118283 CHUTE ASSEMBLY, 1/2Y, TIP-UP POLY LINED

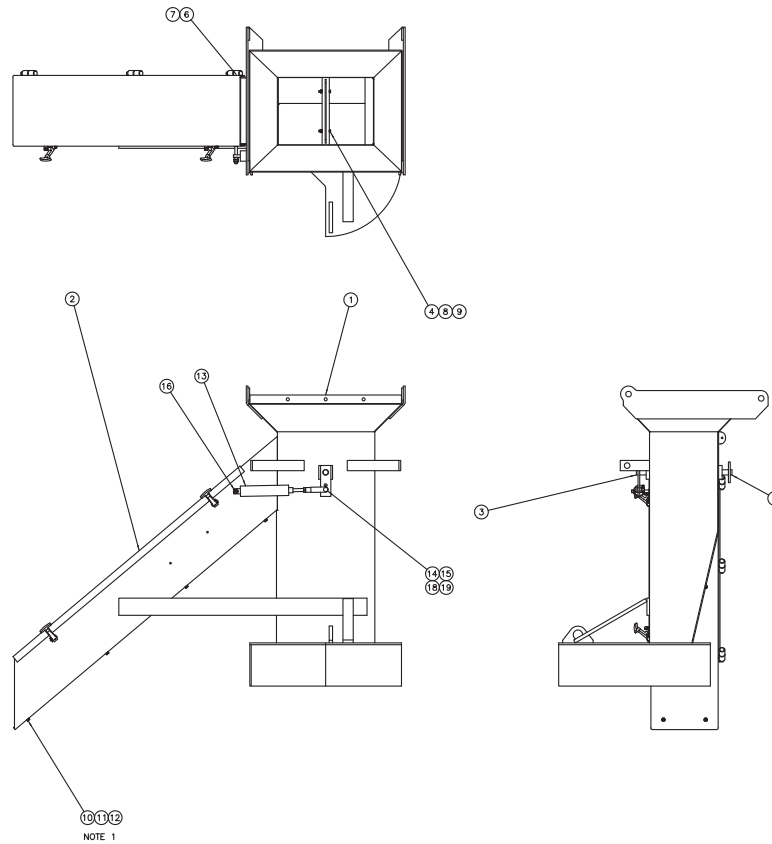
Item	Qty	Part Number	Description
1	1	00071203-A 00071203-B 00071203-C	CHUTE WELDMNT, 1/2 Y, TIP UP, MS CHUTE WELDMNT, 1/2 Y, TIP UP, 304SST CHUTE WELDMNT, 1/2 Y, TIP UP, AUSST
2	1	00071204-A 00071204-B 00071204-C	LID WELDMNT, CHUTE, 1/2Y, MS LID WELDMNT, CHUTE, 1/2Y , 304SST LID WELDMNT, CHUTE, 1/2Y , AUSST
3	1	00024166-A 00024166-B 00024166-C	DEFLECTOR SHAFT WELDMNT, REAR, MS DEFLECTOR SHAFT WELDMNT, REAR, 304SST DEFLECTOR SHAFT WELDMNT, REAR, AUSST
4	1	00024161-A 00024161-B 00024161-C	SPINNER DEFLECTOR WELDMNT, MS SPINNER DEFLECTOR WELDMNT, 304SST SPINNER DEFLECTOR WELDMNT, AUSST
5	1	00024165-A 00024165-B 00024165-C	DEFLECTOR SHAFT WELDMNT, FRONT, MS DEFLECTOR SHAFT WELDMNT, FRONT, 304SST DEFLECTOR SHAFT WELDMNT, FRONT, AUSST
6	3	05022055 05022069	PIN, .5 X 2.50, CLEVIS, ZINC PIN, .5 X 2.5, CLEVIS, SST
7	3	05022072	PIN, .156 X .875, ROLL, ZINC
8	2	05010595	BOLT, .25-20 X 1.50, G8, HHCS, ZINC
9	10	05020899	NUT, .25, 20, TOP LOCK, ZINC
10	1	00091758	CANISTER KIT, MANUAL STORAGE
11	8	05014657	BOLT, .250-20 X .750, FSHCS, ZINC
12	1	00088858	LINER, SPINNER, 1/2 CHUTE, POLY



**00071202 CHUTE ASSEMBLY, 1/2 Y-SPINNER, TIP-UP**

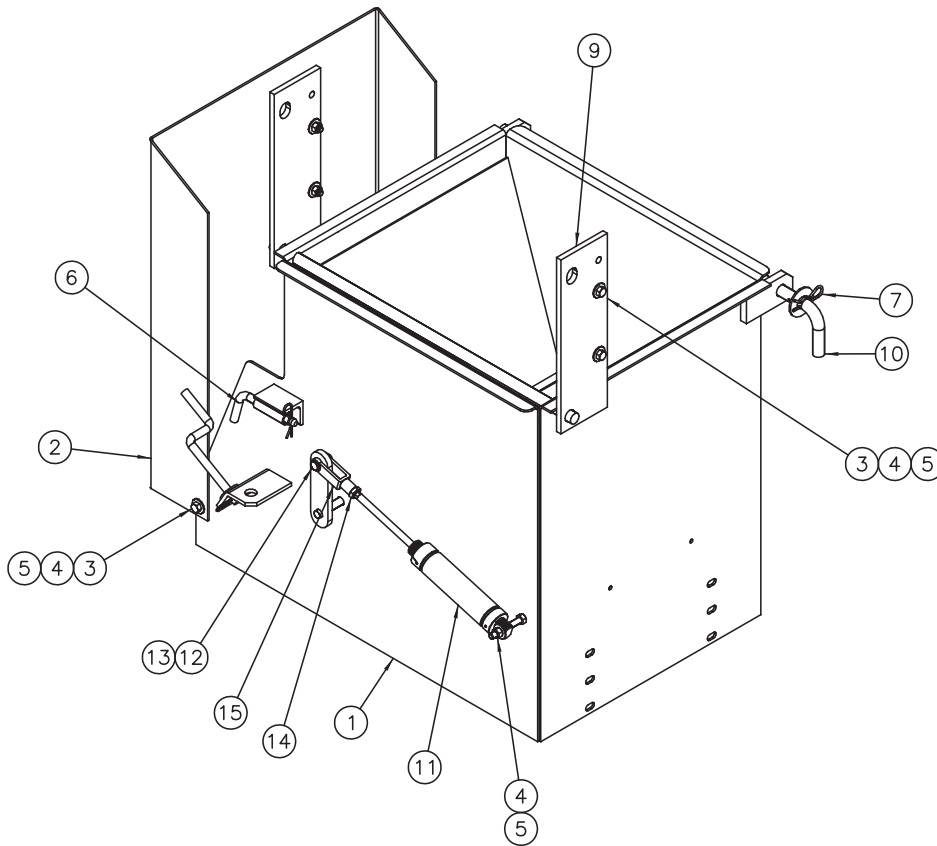
Item	Qty	Part Number	Description
1	1	00071203-A 00071203-B 00071203-C	CHUTE WELDMENT, MS CHUTE WELDMENT, 304SST CHUTE WELDMENT, AUSST
2	1	00071204-A 00071204-B 00071204-C	LID WELDMENT,MS LID WELDMENT, 304SST LID WELDMENT, AUSST
3	1	00024166-A 00024166-B 00024166-C	DEFLECTOR SHAFT WELDMENT, REAR, MS DEFLECTOR SHAFT WELDMENT, REAR, 304SST DEFLECTOR SHAFT WELDMENT, REAR, AUSST
4	1	00024161-A 00024161-B 00024161-C	SPINNER DEFLECTOR WELDMENT, MS SPINNER DEFLECTOR WELDMENT, 304SST SPINNER DEFLECTOR WELDMENT, AUSST
5	1	00024165-A 00024165-B 00024165-C	DEFLECTOR SHAFT WELDMENT, FRONT, MS DEFLECTOR SHAFT WELDMENT, FRONT, 304SST DEFLECTOR SHAFT WELDMENT, FRONT, AUSST
6	3	05022055 05022069	PIN, 1/2X 2 1/2, CLEVIS, ZINC PIN, 1/2X 2 1/2, CLEVIS, SST
7	3	05022072	PIN, .156 X 7/8, ROLL, ZINC
8	2	05010595	BOLT, 1/4-20 X 1 1/2, G8, HHCS, ZINC
9	2	05020899	NUT, 1/4-20, TOP LOCK, ZINC
10	1	00091758	CANISTER KIT, MANUAL STORAGE





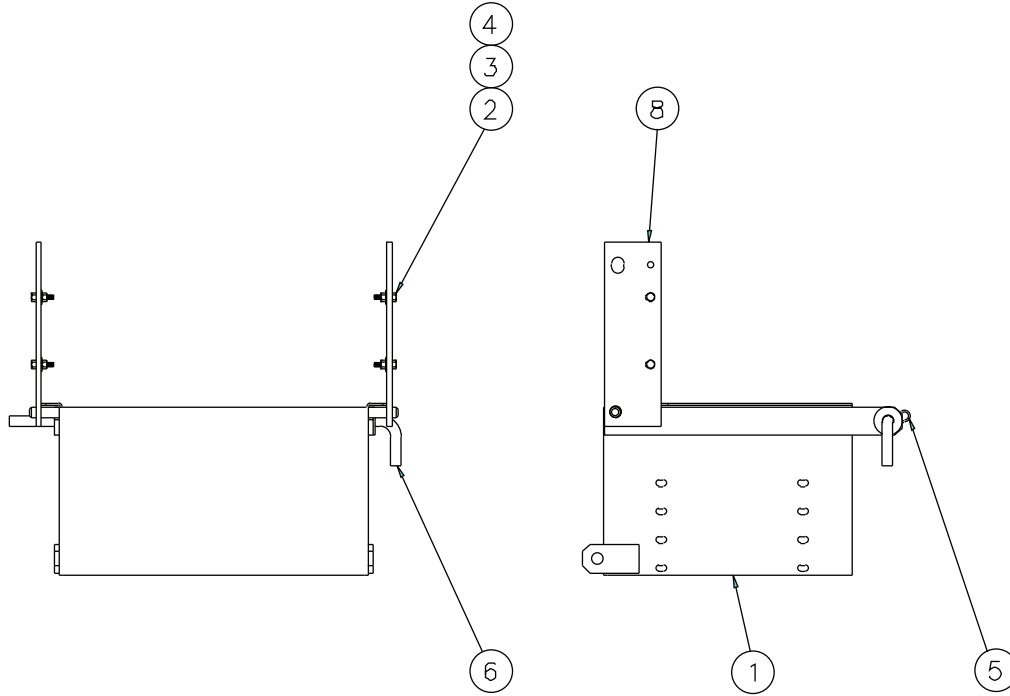
**0008859 CHUTE ASSEMBLY, 1/2 Y SPINNER TIP UP CYL, POLY LINED**

Item	Qty.	Part Number	Description
1	1	00071203-A	CHUTE WLDMT,MV/MSV,1/2-Y SPINR,MS
1	1	00071203-B	CHUTE WLDMT,MV/MSV,1/2-Y SPINR,304
1	1	00071203-C	CHUTE WLDMT,MV/MSV,1/2-Y SPINR,AUSST
2	1	00071204-A	LID WLDMT,SIDE CHUTE,MV/MSV,MS
2	1	00071204-B	LID WLDMT,SIDE CHUTE,MV/MSV,304
2	1	00071204-C	LID WLDMT,SIDE CHUTE,MV/MSV,AUSST
3	1	00024166-A	SHAFT WLDMT,DFTR,MV/MSV,RR,MS
3	1	00024166-B	SHAFT WLDMT,DFTR,MV/MSV,RR,304
4	1	00024161-A	SPINNER DEFLECTOR WLDMT,MS
4	1	00024161-B	SPINNER DEFLECTOR WLDMT,304
4	1	00024161-C	SPINNER DEFLECTOR WLDMT,AUSST
5	1	00024165-A	SHAFT WLDMT,DFTR,MV/MSV,FR,MS
5	1	00024165-B	SHAFT WLDMT,DFTR,MV/MSV,FR,304
6	3	05022072	PIN .156 x .875 ROLL ZC
7	3	05022055	PIN .50 x 2.500 CLEVIS ZC
7	3	05022069	PIN .50 x 2.5 CLEVIS SS
8	2	05010595	BOLT .250-20 x 1.50 G8 HHCS ZC
9	10	05020899	NUT .250-20 TOP LOCK ZC
10	1	00088858	LINER,MV/MSV,SPINNER,1/2YCHUTE,POLY
11	8	05014657	BOLT .250-20 x .750 FSHCS ZC
12	1	05002500	CYLINDER,1.5x4,DA,AIR,SS BODY
13	1	05050290	CLEVIS,ADJ.YOKE END,.4375-20NF
14	1	05021075	NUT .438-20 G8 HEX JAM FIN ZC
15	1	05020891	NUT .375-16 NYLON LOCK 316 SS
15	1	05020898	NUT .375-16 GC TOPLOCK C&W
16	1	00091758	CANISTER KIT,MANUAL STORAGE
17	1	05022197	PIN .438"x 1.25"CLEVIS 1.016GP
18	1	05022021	PIN .125 x 1.00 COTTER
19	2	05035056	SPRING,EXT,1"OD,6"OAL,.115WIRE,SS



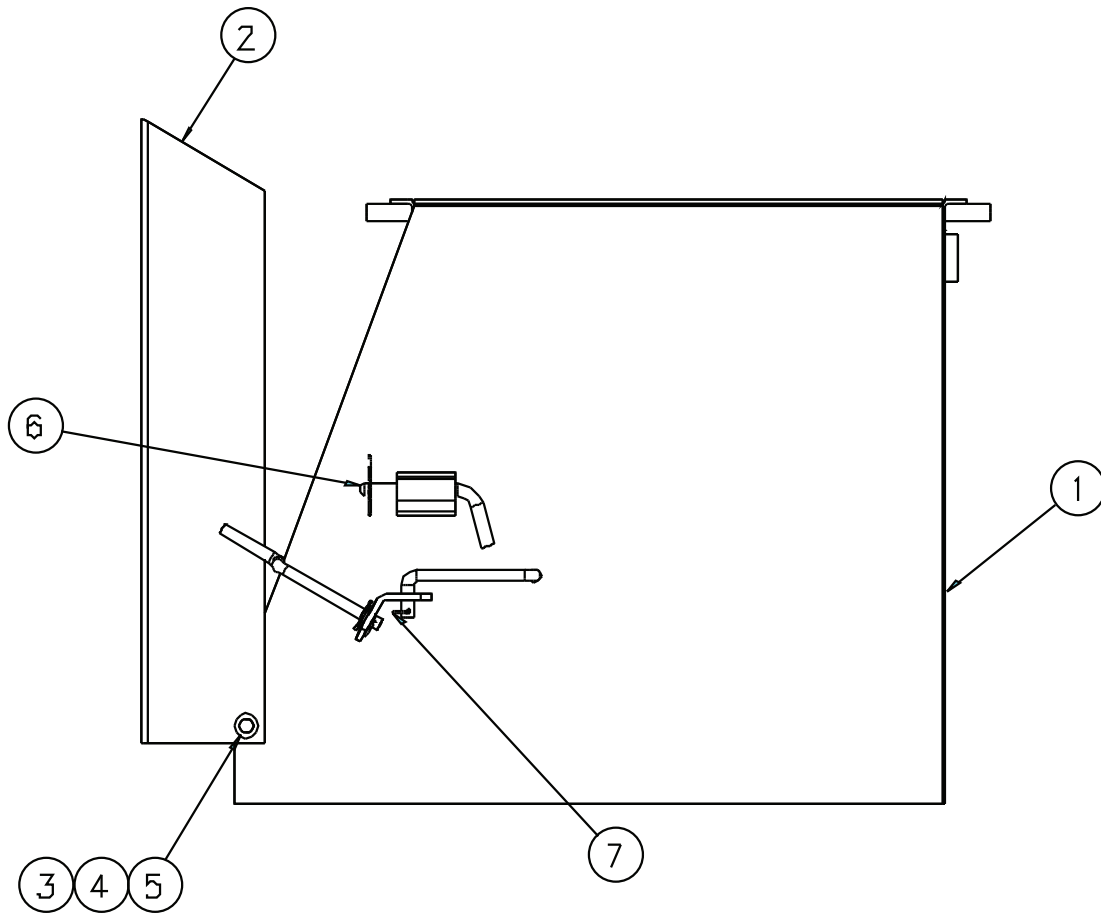
### 00119058 CHUTE ASSEMBLY, SPINNER, TIP-UP LH DISCHARGE, AIR TRIP

Item	Qty	Part Number	Description
1	1	00119055-A 00119055-B 00119055-C	CHUTE WELDMENT, SPINNER, TIP-UP, LH, MS CHUTE WELDMENT, SPINNER, TIP-UP, LH, 304SST CHUTE WELDMENT, SPINNER, TIP-UP, LH, AUSST
2	1	00050267-A 00050267-B 00050267-C	SIDE CHUTE WELDMENT, TIP-UP, LH, MS SIDE CHUTE WELDMENT, TIP-UP, LH, 304SST SIDE CHUTE WELDMENT, TIP-UP, LH, AUSST
3	6	05010644 05016049	BOLT, .375-16 X 1.25, G8, HHCS, ZINC BOLT, .375-16 X 1.25, HHCS, SST
4	13	05021307 05021390	WASHER, .375, FLAT, ZINC WASHER, .375, FLAT, SST
5	7	05020898 05020891	NUT, .375-16, GC, TOP LOCK, C&W NUT, .375-16, NYLON LOCK, 316 SST
6	1	05022136	PIN, .5 X 4.50, 4" GRIP BENT, ZINC W/ HAIRPIN
7	3	05022035	PIN, #11, HAIR, ZINC
8	1	00091758	CANISTER KIT, MANUAL STORAGE
9	2	00035112 00147632	HINGE PLATE, SPINNER, TIP-UP, MS HINGE PLATE, SPINNER, TIP-UP, AUSST
10	1	00022880	LATCH ROD ASSEMBLY, TIP-UP SPINNER
11	1	05002500	CYLINDER, 1.5 X 4, DA, AIR, SS BODY
12	1	05022197	PIN, .438 X 1.25 CLEVIS, 1.016 GRIP
13	1	05022021	PIN, .125 X 1 COTTER
14	1	05021075	NUT, .438-20, G8, HEX JAM, FIN ZINC
15	1	05050290	CLEVIS, ADJ YOAKEND, 7/16-20 NF, F/AIR CYL



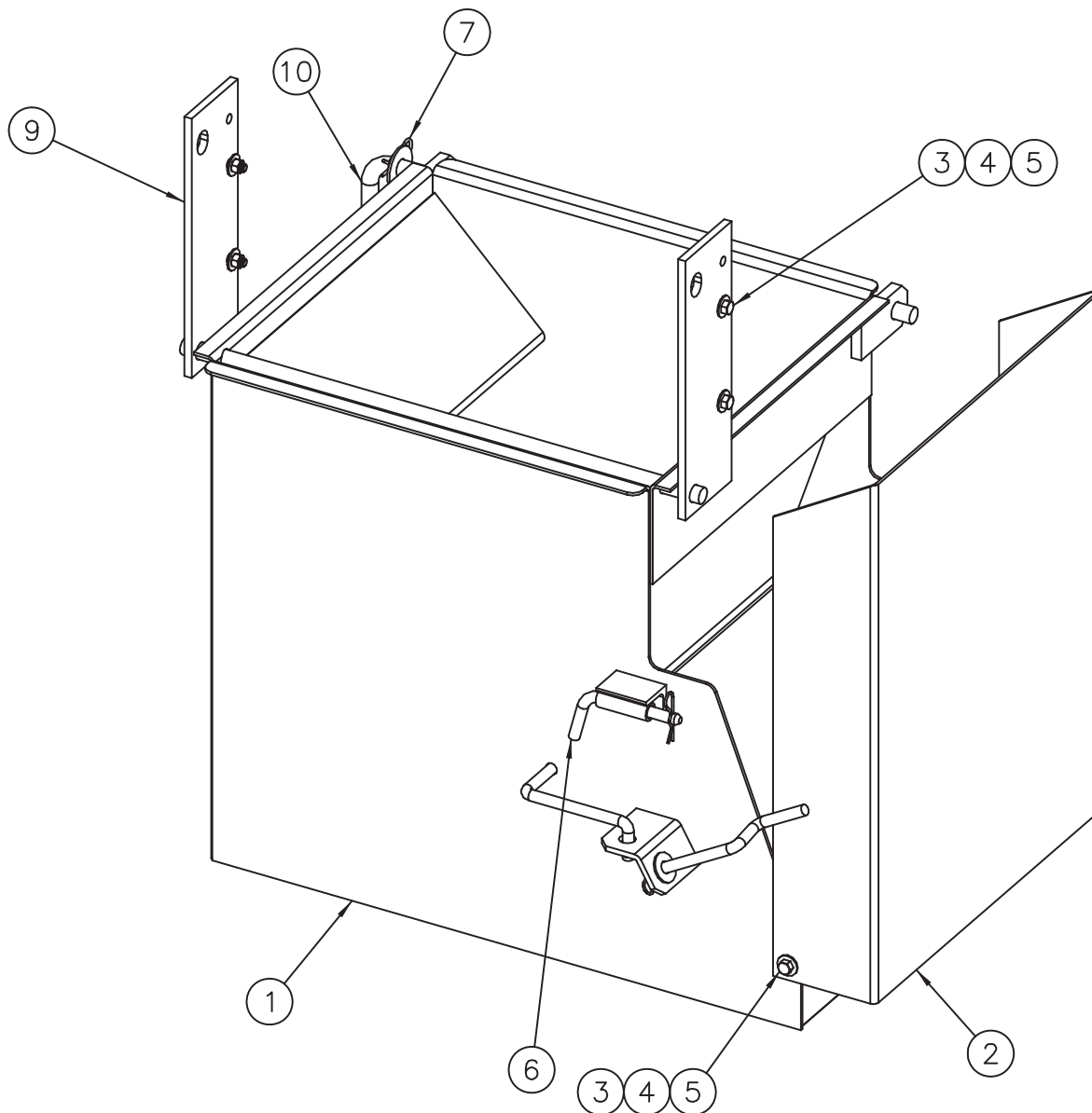
**00063484 CHUTE ASSEMBLY, TWIN SPINNER**

Item	Qty	Part Number	Description
1	1	00059892-A 00059892-B 00059892-C	CHUTE WELDMENT, TWIN SPINNER, MS CHUTE WELDMENT, TWIN SPINNER, 304SST CHUTE WELDMENT, TWIN SPINNER, AUSST
2	4	05010644 05016049	BOLT, $\frac{3}{8}$ -16 X 1 $\frac{1}{4}$ , G8, HHCS, MS BOLT, $\frac{3}{8}$ -16 X 1 $\frac{1}{4}$ , HHCS, SST
3	4	05020898 05020891	NUT, $\frac{3}{8}$ -16, GC, TOP LOCK, C&W NUT, $\frac{3}{8}$ -16, NYLON LOCK, SST
4	4	05021307 05021390	WASHER, $\frac{3}{8}$ , FLAT, ZINC WASHER, $\frac{3}{8}$ , FLAT, SST
5	1	05022035	PIN, #11, HAIR, ZINC
6	1	00022880	LATCH ROD ASSEMBLY, MS
7	3	05051402	DECAL-DANGER: TURNING SPINNER
8	2	00035112	BRACKET, MOUNTING TIP-UP SPINNER



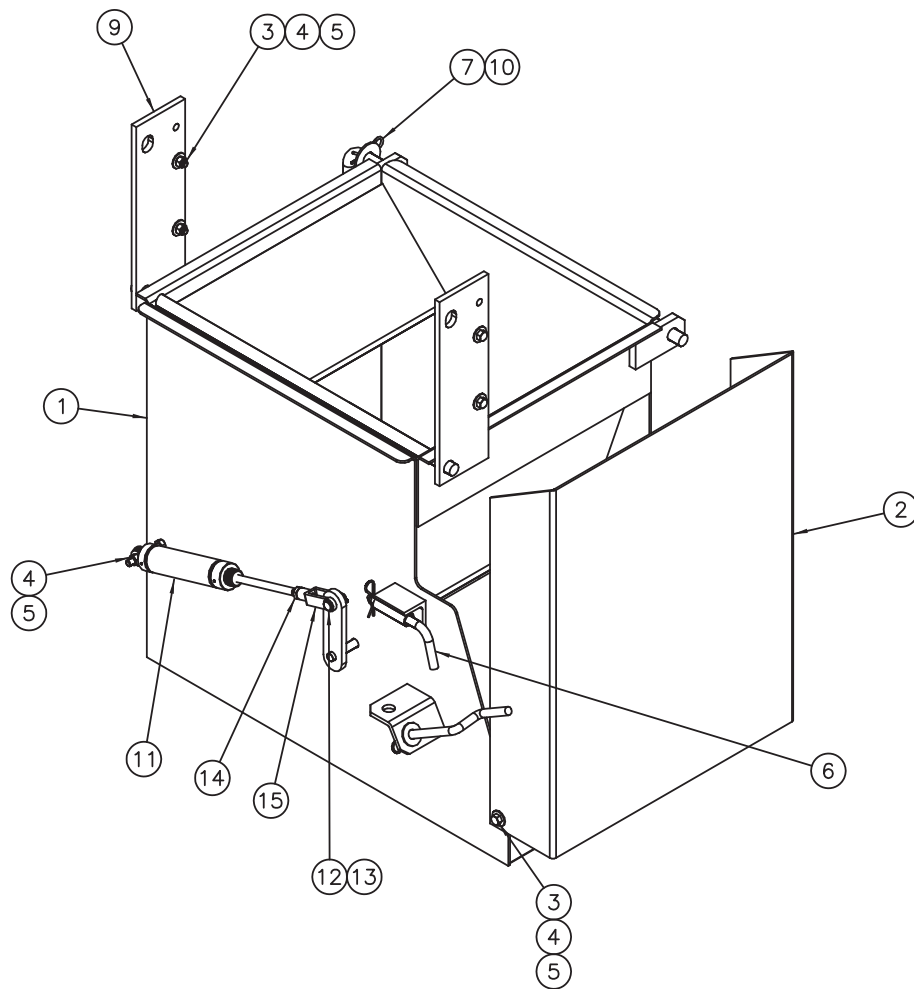
### 00050789 CHUTE ASSEMBLY, CENTER LINE SPINNER

Item	Qty	Part Number	Description
1	1	00050256-A 00050256-B 00050256-C	CHUTE WELDMENT, MS CHUTE WELDMENT,304SST CHUTE WELDMENT, AUSST
2	1	00050267-A 00050267-B 00050267-C	CHUTE WELDMENT, MS CHUTE WELDMENT,304SST CHUTE WELDMENT, AUSST
3	6	05010644 05016049	BOLT, $\frac{3}{8}$ -16 X 1 $\frac{1}{4}$ , G8, HHCS, ZINC BOLT, $\frac{3}{8}$ -16 X 1 $\frac{1}{4}$ , HHCS, SST
4	12	05021307 05021390	WASHER, $\frac{3}{8}$ , FLAT, ZINC WASHER, $\frac{3}{8}$ , FLAT, SST
5	6	05020898 05020891	NUT, $\frac{3}{8}$ -16, GC, TOP LOCK, C&W NUT, $\frac{3}{8}$ -16, NYLON LOCK, SST
6	1	05022136	PIN, $\frac{1}{2}$ X 4 $\frac{1}{2}$ , 4" GRIP BENT ZINC
7	3	05022035	PIN, #11, HAIR
8	1	00091758	CANISTER KIT, MANUAL STORAGE
9	2	00035112	HINGE PLATE, SPINNER, TIP-UP
10	1	00022880	LATCH ROD ASSEMBLY, MS TIP-UP SPINNER



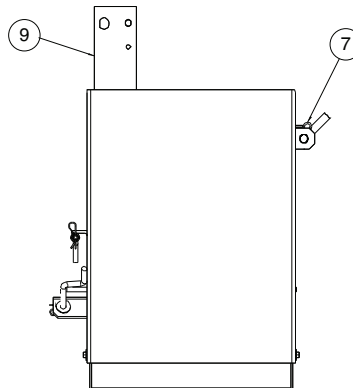
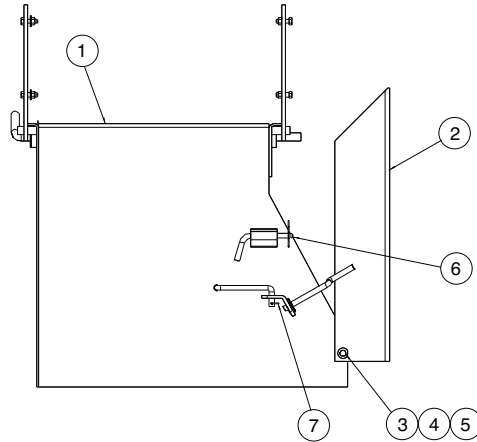
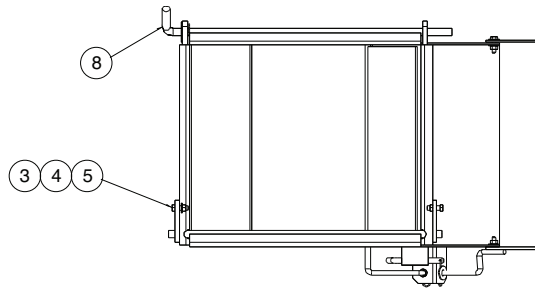
**00119737 CHUTE ASSEMBLY, SPINNER, TIP-UP RH DISCHARGE**

Item	Qty	Part Number	Description
1	1	00119735-A 00119735-B 00119735-C	CHUTE WELDMENT, RH, MS CHUTE WELDMENT, RH, 304SST CHUTE WELDMENT, RH, AUSST
2	1	00119736-A 00119736-B 00119736-C	CHUTE WELDMENT, RH, MS CHUTE WELDMENT, RH, 304SST CHUTE WELDMENT, RH, AUSST
3	6	05010644 05016049	BOLT, $\frac{3}{8}$ -16 X 1 $\frac{1}{4}$ , G8, HHCS, ZINC BOLT, $\frac{3}{8}$ -16 X 1 $\frac{1}{4}$ , HHCS, SST
4	12	05021307 05021390	WASHER, $\frac{3}{8}$ , FLAT, ZINC WASHER, $\frac{3}{8}$ , FLAT, SST
5	6	05020898 05020891	NUT, $\frac{3}{8}$ -16, GC, TOP LOCK, C&W NUT, $\frac{3}{8}$ -16, NYLON LOCK, SST
6	1	05022136	PIN, $\frac{1}{2}$ X 4 $\frac{1}{2}$ , 4" GRIP BENT ZINC
7	3	05022035	PIN, #11, HAIR
8	1	00091758	CANISTER KIT, MANUAL STORAGE
9	2	00035112	HINGE PLATE, SPINNER, TIP-UP
10	1	00022880	LATCH ROD ASSEMBLY, MS TIP-UP SPINNER

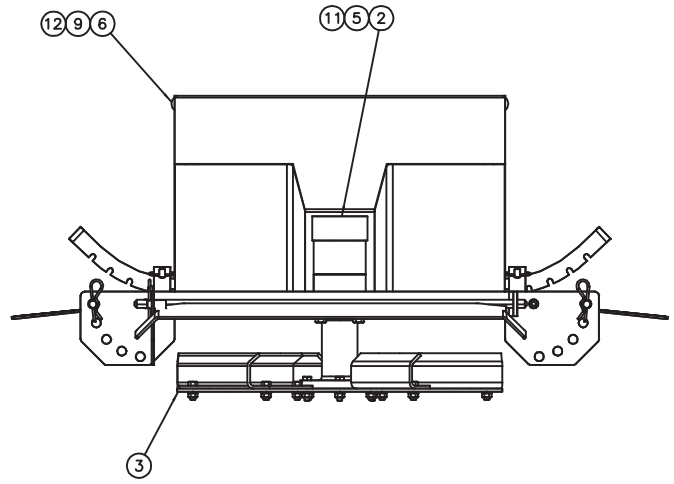
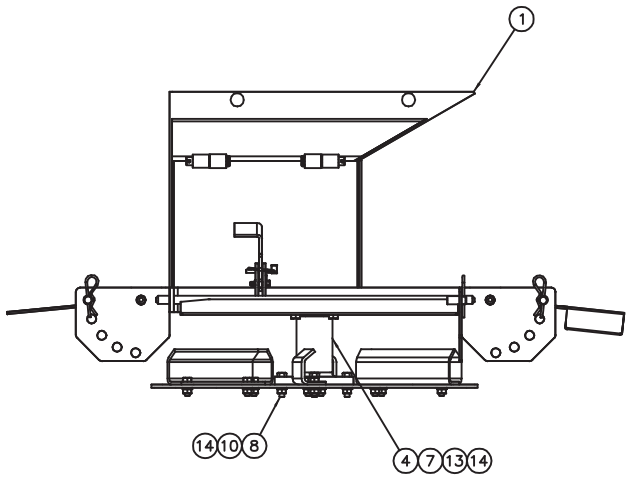


### 00143701 CHUTE ASSEMBLY, TIP-UP RH DISCHARGE, AIR TRIP

Item	Qty	Part Number	Description
1	1	00142495-A 00142495-B 00142495-C	CHUTE WELDMENT, SPINNER, TIP-UP, LH, MS CHUTE WELDMENT, SPINNER, TIP-UP, LH, 304SST CHUTE WELDMENT, SPINNER, TIP-UP, LH, AUSST
2	1	00119736-A 00119736-B 00119736-C	SIDE CHUTE WELDMENT, TIP-UP, LH, MS SIDE CHUTE WELDMENT, TIP-UP, LH, 304SST SIDE CHUTE WELDMENT, TIP-UP, LH, AUSST
3	6	05010644 05016049	BOLT, .375-16 X 1.25, G8, HHCS, ZINC BOLT, .375-16 X 1.25, HHCS, SST
4	13	05021307 05021390	WASHER, .375, FLAT, ZINC WASHER, .375, FLAT, SST
5	7	05020898 05020891	NUT, .375-16, GC, TOP LOCK, C&W NUT, .375-16, NYLON LOCK, 316 SST
6	1	05022136	PIN, .5 X 4.50, 4" GRIP BENT, ZINC W/ HAIRPIN
7	3	05022035	PIN, #11, HAIR, ZINC
8	1	00091758	CANISTER KIT, MANUAL STORAGE
9	2	00035112 00147632	HINGE PLATE, SPINNER, TIP-UP, MS HINGE PLATE, SPINNER, TIP-UP, AUSST
10	1	00022880	LATCH ROD ASSEMBLY, TIP-UP SPINNER
11	1	05002500	CYLINDER, 1.5 X 4, DA, AIR, SS BODY
12	1	05022197	PIN, .438 X 1.25 CLEVIS, 1.016 GRIP
13	1	05022021	PIN, .125 X 1 COTTER
14	1	05021075	NUT, .438-20, G8, HEX JAM, FIN ZINC
15	1	05050290	CLEVIS, ADJ YOAKEND, 7/16-20 NF, F/AIR CYL



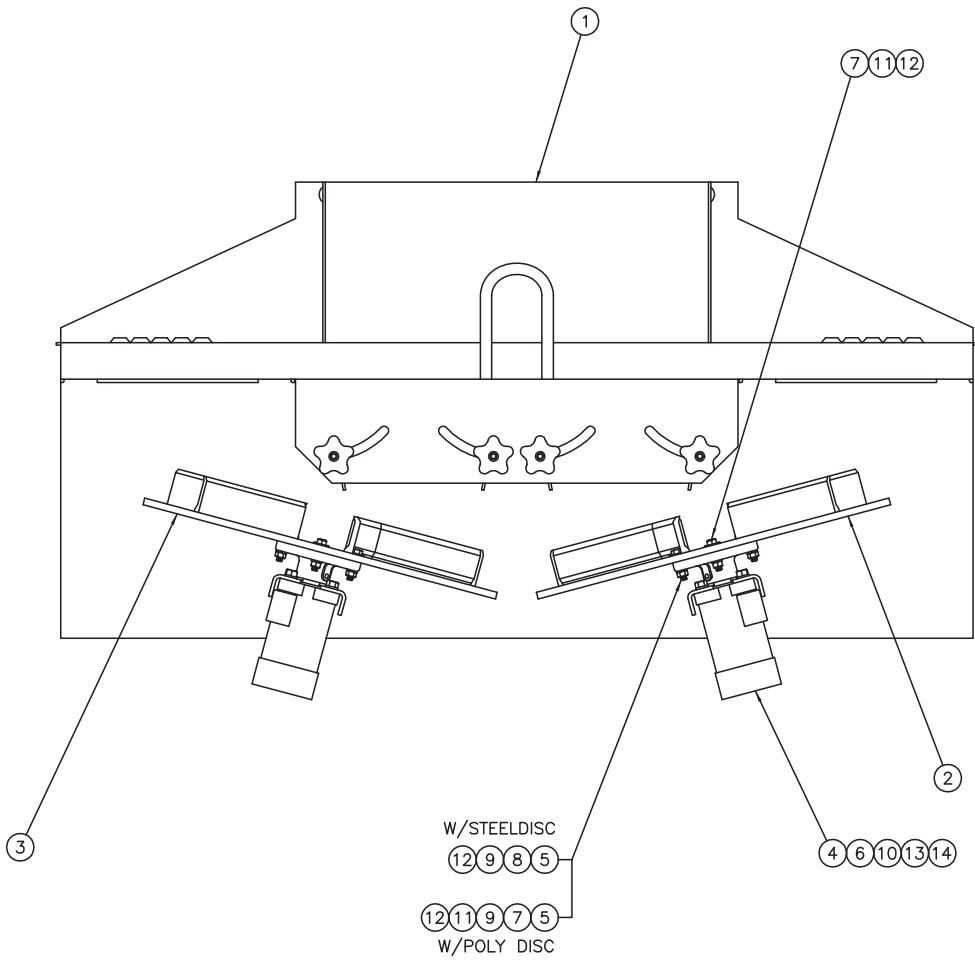
<b>00077600 CHUTE ASSEMBLY, TIP UP WITH RH DISCHARGE</b>			
<b>Item</b>	<b>Qty</b>	<b>Part Number</b>	<b>Description</b>
1	1	00077601-A 00077601-B	CHUTE WELDMENT, RH DISCHARGE, MS CHUTE WELDMENT, RH DISCHARGE, SST
2	1	00077612-A 0077612-B	SIDE CHUTE WELDMENT, RH, MS SIDE CHUTE WELDMENT, RH, SST
3	6	05010644 05016049	BOLT, 3/8-16 X 1 1/4, G8, HHCS, ZINC BOLT, 3/8-16 X 1 1/4, HHCS, SST
4	8	05021307 05021390	WASHER, 3/8, FLAT, ZINC WASHER, 3/8, FLAT, SST
5	6	05020898 05020891	NUT, 3/8-16, GC, TOP LOCK, C&W NUT, 3/8-16, NYLON LOCK, SST
6	1	05022136	PIN, 1/2 X 4 1/2, 4" GRIP BENT ZINC
7	4	05022035	PIN, #11, HAIR, ZINC
8	1	00022880	LATCH ROD ASSEMBLY
9	2	00035112	BRACKET, MOUNTING, TIPUP
10	1	00091758	CANISTER KIT, MANUAL, STORAGE





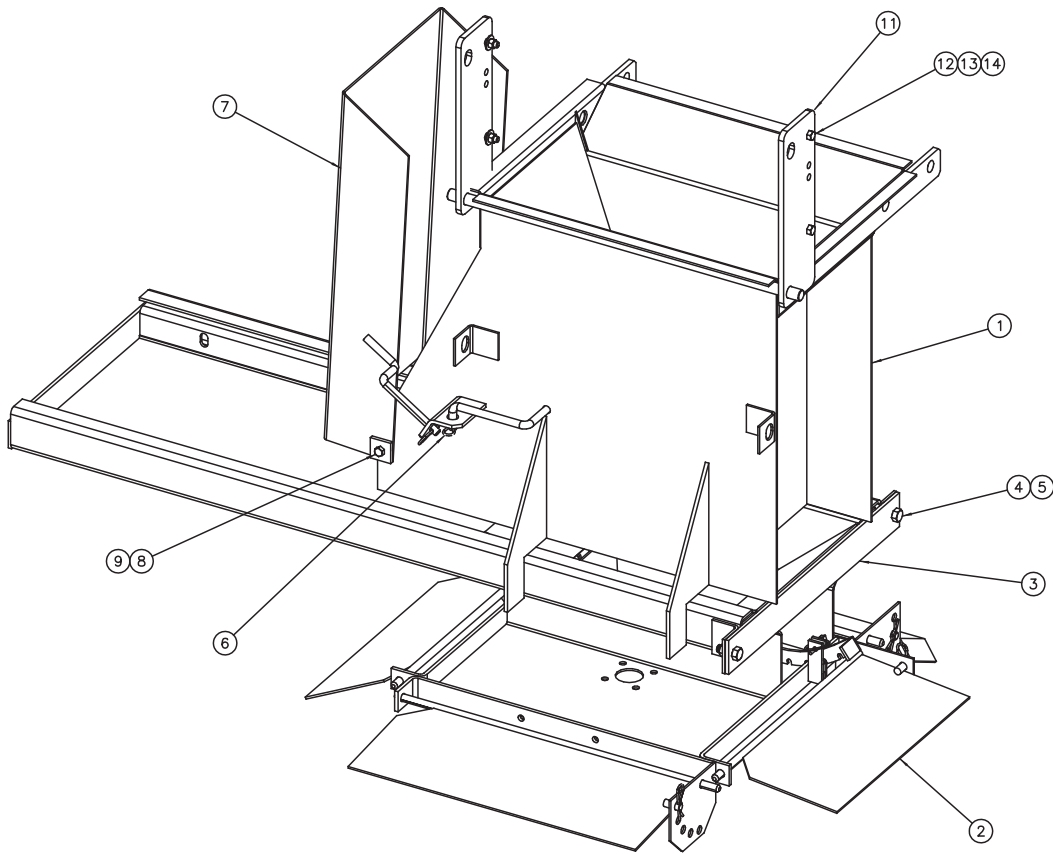
**00028000 SPINNER ASSEMBLY, LOWER**

<b>Item</b>	<b>Qty.</b>	<b>Part Number</b>	<b>Description</b>
1	1	00028001-A	CHUTE ASSY,SPNR,MV/MSV,LWR,MS,10GA <i>See Page 143</i>
1	1	00028001-B	CHUTE ASSY,SPNR,MV/MSV,LWR,304,10GA
1	1	00028001-F	CHUTE ASSY,SPNR,MV/MSV,LWR,AUSST,10GA
2	1	05006673	MOTOR,HYD,WHITE 3.2CID,4 BLT,1" SHAFT <i>See Page 172</i>
3	1	00099404-A	SPINNER DISC ASSY,20.0,CCW,MS <i>See Page 156</i>
3	1	00099404-B	SPINNER DISC ASSY,20.0,CCW,304
3	1	00099404-E	SPINNER DISC ASSY,20.0,CCW,AUSST
3	1	05050794	DISC,SPINNER,20"CCW,RED,POLY <i>See Page 158</i>
4	1	05050054	HUB,SPINNER ASSY,EXT SFT,W/SET SCREWS
5	4	05010642	BOLT .375-16x.875 G8 HHCS ZC
5	4	05016050	BOLT .375-16x.875 HHCS SST
6	4	05013986	BOLT .375-16x1.00 G5 CRG ZC
6	4	05016003	BOLT .375-16x1.00 CRG SST
7	1	05010630	BOLT .313-18x4.00 G8 HHCS ZC
7	1	05016150	BOLT .313-18x4.00 HHCS SST
8	4	05010619	BOLT .313-18x1.25 G8 HHCS ZC
8	4	05010620	BOLT .313-18x1.50 G8 HHCS ZC
8	4	05016139	BOLT .313-18x1.25 HHCS SST
8	4	05016140	BOLT .313-18x1.50 HHCS SST
9	4	05020891	NUT .375-16 NYLON LOCK 316 SST
9	4	05020898	NUT .375-16 GC TOPLOCK C&W
10	4	05020265	NUT .313-18 G8 HEX ZC
10	4	05020855	NUT .313-18 HEX SST
11	4	05021365	WASHER .375 LOCK ZC
11	4	05021392	WASHER .375 LOCK SST
12	4	05021307	WASHER .375 FLAT ZC
12	4	05021390	WASHER .375 FLAT SST
13	5	05021306	WASHER .313 FLAT ZC
13	5	05021404	WASHER .313 FLAT SST
14	5	05021364	WASHER .313 LOCK ZC
14	5	05021407	WASHER .313 LOCK SST



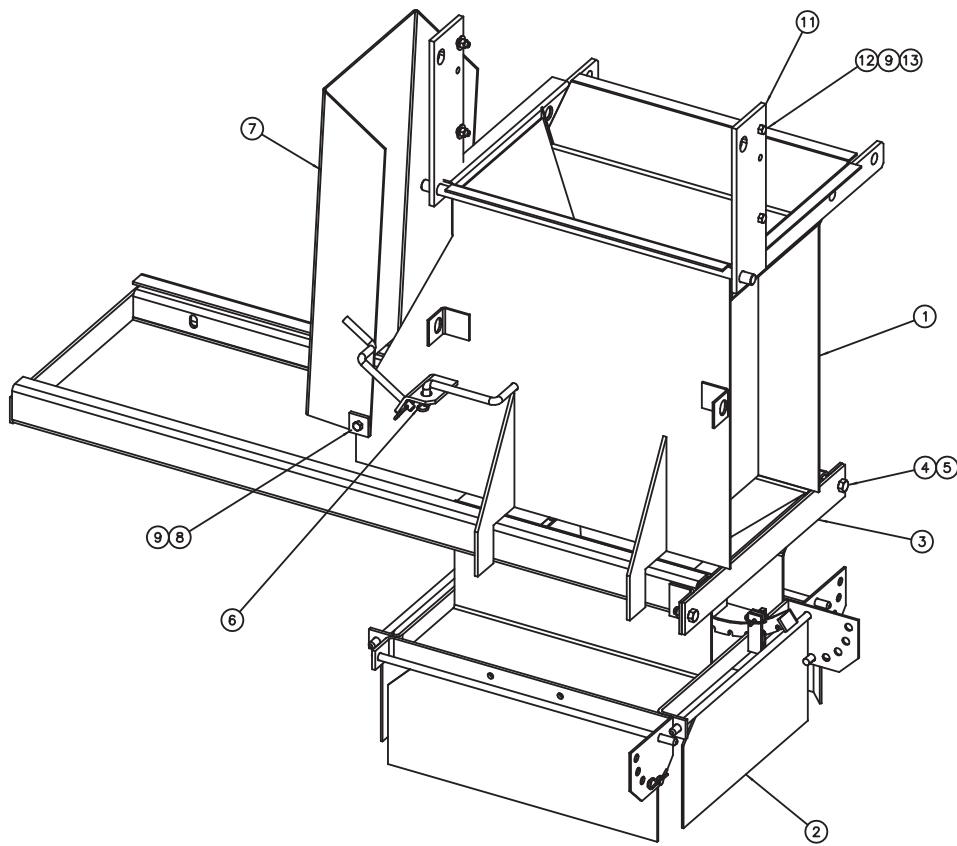
**00063491 SPINNER ASSEMBLY, LOWER, TWIN**

<b>Item</b>	<b>Qty</b>	<b>Part Number</b>	<b>Description</b>
1	1	00063485-A 00063485-B	CHUTE ASSEMBLY, LOWER, TWIN SPINNER, MS <i>See Page 144</i> CHUTE ASSEMBLY, LOWER, TWIN SPINNER, 304SST
2	1	00099404-A 00099404-B 05050794	DISC ASSEMBLY, SPINNER, 20, CCW, MS <i>See Page 156</i> DISC ASSEMBLY, SPINNER, 20, CCW, SST DISC SPINNER, 20, CCW, POLY W/ MOLDED FLIGHTS <i>See Page 158</i>
3	1	00099403-A 00099403-B 05052401	DISC ASSEMBLY, SPINNER, 20 CW, MS <i>See Page 157</i> DISC ASSEMBLY, SPINNER, 20 CW, SST DISC, SPINNER, 20 CW, POLY, W/ MOLDED FLIGHTS
4	2	05006673	MOTOR, HYD, WHITE, 3.2CI, 4B, 1" EXT <i>See Page 172</i>
5	2	05051380	HUB, SPINNER ASSEMBLY, STD, SHORT, W/ SET SCREW
6	8	05010645 05016162	BOLT, .375-16 X 1.50, G8, HHCS, ZINC BOLT, .375-16 X 1.50, HHCS, SST
7	2	05010618	BOLT, .313-18 X 1, G8, HHCS, ZINC
8	8	05010619 05016139	BOLT, .313-18 X 1.25, G8, HHCS, ZINC BOLT, .313-18 X 1.25, HHCS, SST
9	8	05020265 05020855	NUT, .313-18, G8, HEX, ZINC NUT, .313-18, HEX, SST
10	8	05021365 05021392	WASHER, .375, LOCK, ZINC WASHER, .375, LOCK, SST
11	2	05021306 05021404	WASHER, .313, FLAT, ZINC WASHER, .313, FLAT, SST
12	10	05021364 05021407	WASHER, .313, LOCK, ZINC WASHER, .313, LOCK, SST
13	2	00122073	SEAL SAVER, MOTOR, SPINNER
14	2	05050288	GREASE ZERK, .250-28 STRAIGHT



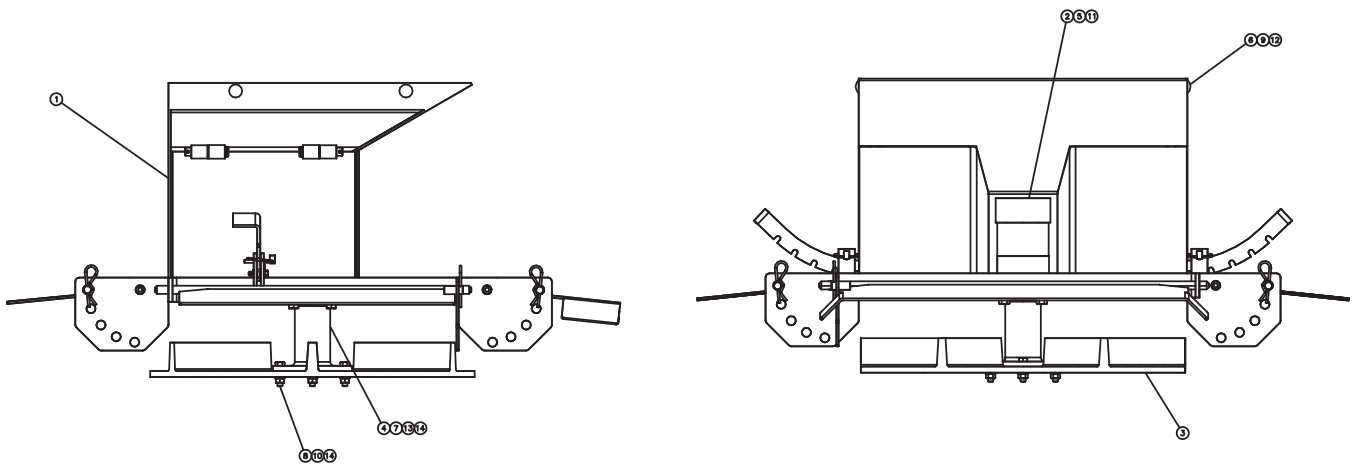
### 00050741 SPINNER ASSEMBLY, CADILLAC UPPER/LOWER

Item	Qty.	Part Number	Description
1	1	01162101-A 01162101-B	HOPPER WELDMENT, SPINNER, CADILLAC, MS HOPPER WELDMENT, SPINNER, CADILLAC, SST
2	1	00050740-A 00050740-B	SPINNER ASSEMBLY, LOWER, CADILLAC, MS SPINNER ASSEMBLY, LOWER, CADILLAC, SST
3	1	01162109-A 01162109-B	STOP BAR, SPINNER, MS STOP BAR, SPINNER, SST
4	2	05010690 05016045	BOLT, .5-13 X 1.250, G8, HHCS BOLT, .5-13 X 1.25, HHCS, SST
5	2	05020847 05020908	NUT, .5-13, GC, TOP LOCK C&W NUT, .5-13, NYLON LOCK, 316 SST
6	2	05022035	PIN, #11, HAIR, ZINC
7	1	00050783-A 00050783-B	TROUGH WELDMENT, SIDE CHUTE, MS TROUGH WELDMENT, SIDE CHUTE, SST
8	2	05010645 05016162	BOLT, .375-16 X 1.50, G8, HHCS, ZINC BOLT, .375-16 X 1.50, HHCS, SST
9	6	05020898 05020891	NUT, .375-16, GC, TOP LOCK C&W NUT, .375-16, NYLON LOCK, 316 SST
10	1	00091758	CANISTER KIT, MANUAL STORAGE
11	2	00035112 00117632	HINGE PLATE, SPINNER, TIP-UP, MS HINGE PLATE, SPINNER, TIP-UP, AUSST
12	4	05010644 05016049	BOLT, .375-16 X 1.25, G8, HHCS, ZINC BOLT, .375-16 X 1.25, HHCS, SST
13	4	05021307 05021390	WASHER, .375, FLAT, ZINC WASHER, .375, FLAT, SST

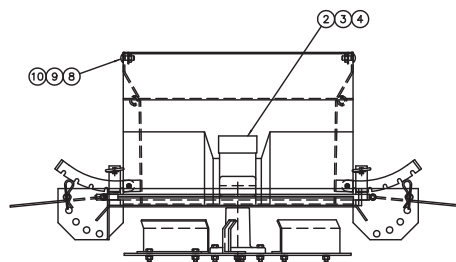
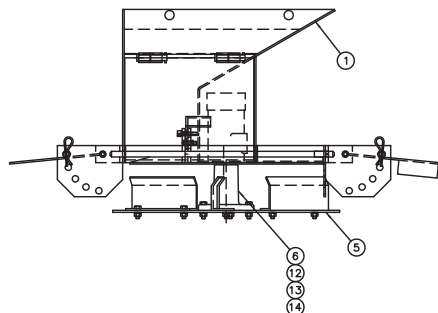
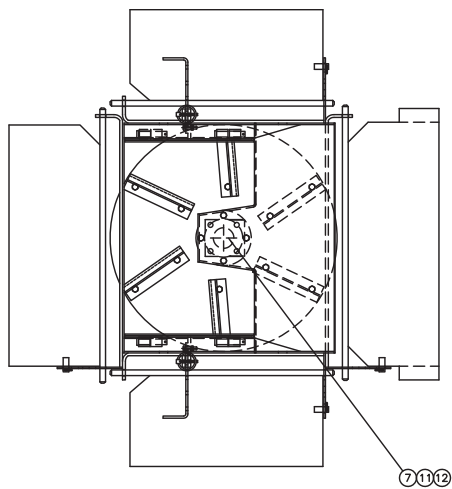


### 00041733 SPINNER ASSEMBLY, CADILLAC UPPER/LOWER, BTM MOUNT MOTOR

Item	Qty.	Part Number	Description
1	1	01162101-A 01162101-B 01162101-C	HOPPER WELDMENT, SPINNER, CADILLAC, MS HOPPER WELDMENT, SPINNER, CADILLAC, 304SST HOPPER WELDMENT, SPINNER, CADILLAC, AUSST
2	1	00041577-A 00041577-B 00041577-C	SPINNER ASSEMBLY, LOWER, CADILLAC, MS SPINNER ASSEMBLY, LOWER, CADILLAC, 304SST SPINNER ASSEMBLY, LOWER, CADILLAC, AUSST
3	1	01162109-A 01162109-B	STOP BAR, SPINNER, MS STOP BAR, SPINNER, SST
4	2	05010690 05016045	BOLT, .5-13 X 1.250, G8, HHCS BOLT, .5-13 X 1.25, HHCS, SST
5	2	05020847 05020908	NUT, .5-13, GC, TOP LOCK C&W NUT, .5-13, NYLON LOCK, 316 SST
6	2	05022035	PIN, #11, HAIR, ZINC
7	1	00050783-A 00050783-B 00050783-C	TROUGH WELDMENT, SIDE CHUTE, MS TROUGH WELDMENT, SIDE CHUTE, 304SST TROUGH WELDMENT, SIDE CHUTE, AUSST
8	2	05010645 05016162	BOLT, .375-16 X 1.50, G8, HHCS, ZINC BOLT, .375-16 X 1.50, HHCS, SST
9	6	05020898 05020891	NUT, .375-16, GC, TOP LOCK C&W NUT, .375-16, NYLON LOCK, 316 SST
10	1	00091758	CANISTER KIT, MANUAL STORAGE
11	2	00035112 00117632	HINGE PLATE, SPINNER, TIP-UP, MS HINGE PLATE, SPINNER, TIP-UP, AUSST
12	4	05010644 05016049	BOLT, .375-16 X 1.25, G8, HHCS, ZINC BOLT, .375-16 X 1.25, HHCS, SST
13	4	05021307 05021390	WASHER, .375, FLAT, ZINC WASHER, .375, FLAT, SST

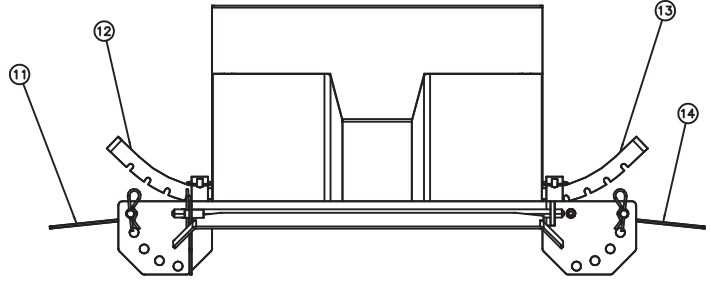
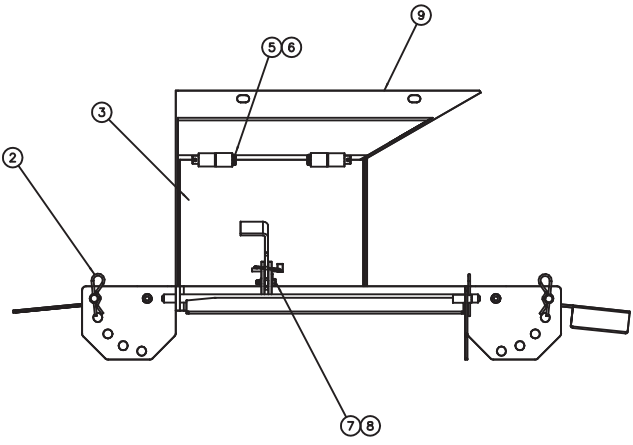
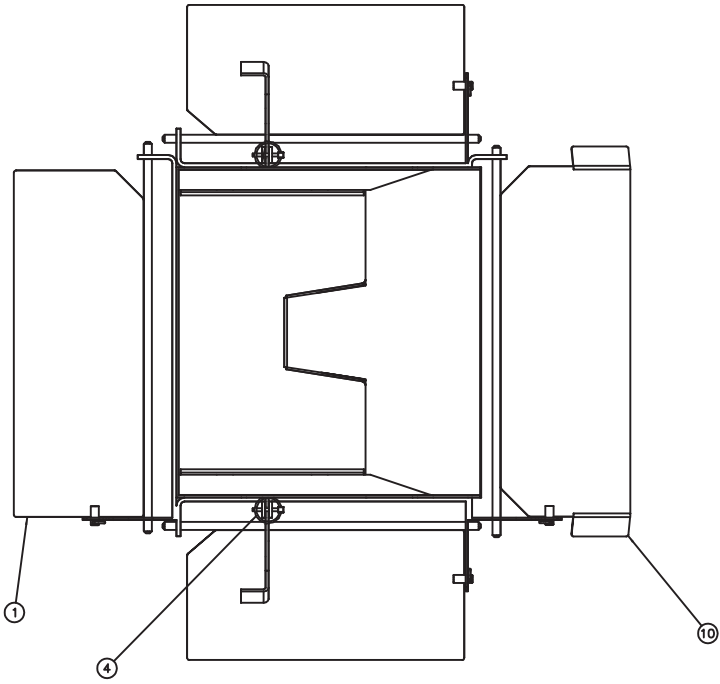


<b>00143702 SPINNER LOWER, 10GA, POLY DISC, STRAIGHT</b>				
<b>Item</b>	<b>Qty</b>	<b>Part Number</b>	<b>Description</b>	
1	1	00028001-A 00028001-B 00028001-F	CHUTE ASSEMBLY, SPINNER, LOWER, MS CHUTE ASSEMBLY, SPINNER, LOWER, 304SST CHUTE ASSEMBLY, SPINNER, LOWER, AUSST	<i>See Page 143</i>
2	1	05006673	MOTOR, HYD, WHITE, 3.2CI, 4B, 1" EXT	<i>See Page 172</i>
3	1	05052478	DISC SPINNER, 20 STRAIGHT, POLY	
4	1	05050054	HUB, SPINNER ASSEMBLY, EXT SHFT, W/ SET SCREW	
5	4	05010642 05016050	BOLT, .375-16 X .875, G8, HHCS, ZINC BOLT, .375-16 X .875, HHCS, SST	
6	4	05013986 05016003	BOLT, .375-16 X 1, G5, CARRIAGE, ZINC BOLT, .375-16 X 1, CARRIAGE, SST	
7	1	05010630 05016150	BOLT, .313-18 X 4, G8, HHCS, ZINC BOLT, .313-18 X 4, HHCS, SST	
8	4	05010620 05016140	BOLT, .313-18 X 1.50, G8, HHCS, ZINC BOLT, .313-18 X 1.50, HHCS, SST	
9	4	05020898 05020891	NUT, .375-16, GC, TOP LOCK, C&W NUT, .375-16, NYLON LOCK, 316 SST	
10	4	05020265 05020855	NUT, .313-18, G8, HEX, ZINC NUT, .313-18, HEX, SST	
11	4	05021365 05021392	WASHER, .375, LOCK, ZINC WASHER, .375, LOCK, SST	
12	4	05021307 05021390	WASHER, .375, FLAT, ZINC WASHER, .375, FLAT, SST	
13	5	05021306 05021404	WASHER, .313, FLAT, ZINC WASHER, .313, FLAT, SST	
14	5	05021364 05021407	WASHER, .313, LOCK, ZINC WASHER, .313, LOCK, SST	



### 00076980 SPINNER ASSEMBLY, LOWER, .188

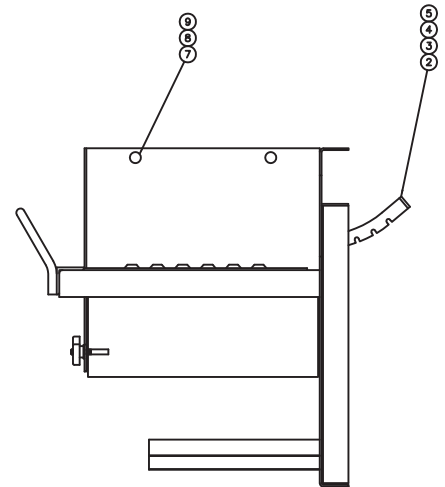
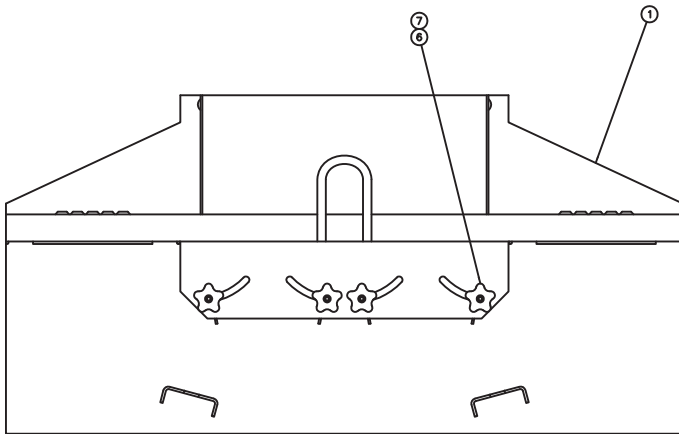
Item	Qty	Part Number	Description	
1	1	00077502-A 00077502-B	CHUTE ASSEMBLY, SPINNER, LOWER, .188, MS CHUTE ASSEMBLY, SPINNER, LOWER, .188, SST	<i>See Page 145</i>
2	1	05006673	MOTOR, HYD, WHITE, 3.2CI, 4B, 1" EXT	<i>See Page 172</i>
3	4	05010642 05016050	BOLT, .375-16 X .875, G8, HHCS, ZINC BOLT, .375-16 X .875, HHCS, SST	
4	4	05021365 05021392	WASHER, .375, LOCK, ZINC WASHER, .375, LOCK, SST	
5	1	00099404-A 00099404-B	DISC ASSEMBLY, SPINNER, 20 CCW, MS DISC ASSEMBLY, SPINNER, 20 CCW, SST	<i>See Page 156</i>
6	1	05050054	HUB, SPINNER ASSEMBLY, EXT SFT W/ SET SCREW	
7	1	05010630 05016150	BOLT, .313-18 X 4, G8, HHCS, ZINC BOLT, .313-18 X 4, G8, HHCS, SST	
8	4	05013986 05016003	BOLT, .375-16 X 1, G5, CARRIAGE, ZINC BOLT, .375-16 X 1, CARRIAGE, SST	
9	4	05020898 05020891	NUT, .375-16, TOP LOCK, C&W, GRC NUT, .375-16, NYLON LOCK	
10	4	05021307 05021390	WASHER, .375, FLAT, ZINC WSHER, .375, FLAT, SST	
11	1	05021306 05021404	WASHER, .313, FLAT, ZINC WASHER, .313, FLAT, SST	
12	5	05021364 05021407	WASHER, .313, LOCK, ZINC WASHER, .313, LOCK, SST	
13	4	05010619 05016139	BOLT, .313-18 X 1.25, G8, HHCS, ZINC BOLT, .313-18 X 1.25, H HCS, SST	
14	4	05020265 05020855	NUT, .313-18, G8, HEX, ZINC NUT, .313-18, HEX, SST	





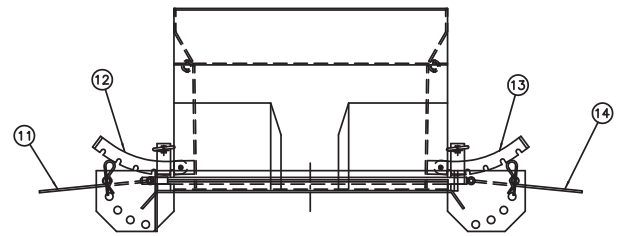
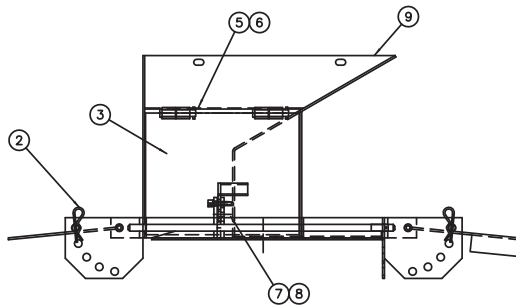
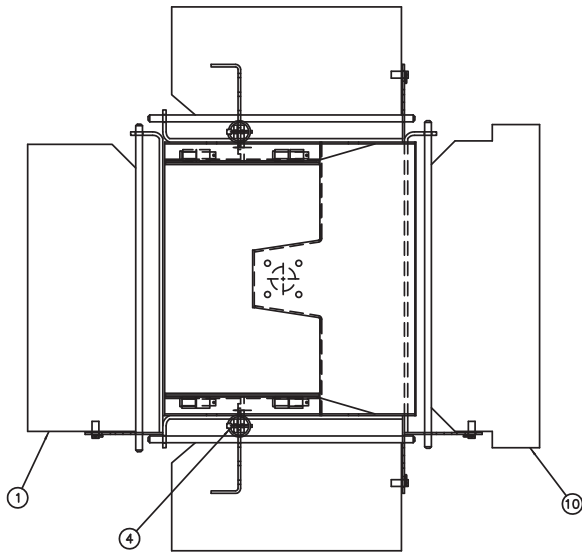
**00028001 CHUTE ASSEMBLY, SPINNER, LOWER, 20.0L X 20W**

Item	Qty.	Part Number	Description
1	1	00062116-A 00062116-B 00062116-G	DEFLECTOR WELDMENT, SPINNER, RR, MS DEFLECTOR WELDMENT, SPINNER, RR, 304SST DEFLECTOR WELDMENT, SPINNER, RR, AUSST
2	4	05022035	PIN, #11, HAIR, ZINC
3	2	00028003-A 00028003-B 00028003-G	RESTRICTOR GATE WELDMENT, MS RESTRICTOR GATE WELDMENT, 304SST RESTRICTOR GATE WELDMENT, AUSST
4	2	05022106	PIN, .188 LYNCH
5	4	05022055 05022069	PIN, .5 X 2.50 CLEVIS, ZINC PIN, .5 X 2.50, CLEVIS, SS
6	4	05022072	PIN, .156 X .875, ROLL, ZINC
7	2	05010593 05016040	BOLT, .250-20 X 1, G8, HHCS, ZINC BOLT, .250-20 NYLON LOCK, 316 SST
8	2	05020899 05020906	NUT, .250-20, GC, TOPLOCK, C&W NUT, .250-20, NYLON 316 SST
9	1	00028002-A 00028002-B 00028002-F	SPINNER WELDMENT, LWR, 4BLT.MS SPINNER WELDMENT, LWR, 4BLT, 304SST SPINNER WELDMENT, LWR, 4BLT, AUSST
10	1	00062127-A 00062127-B 00062127-G	DEFLECTOR WELDMENT, FR, MS DEFLECTOR WELDMENT, FR, 304SST DEFLECTOR WELDMENT, FR, AUSST
11	1	00062104-A 00062104-B 00062104-H	DEFLECTOR WELDMENT, SIDE, RH, MS DEFLECTOR WELDMENT, SIDE, RH, 304SST DEFLECTOR WELDMENT, SIDE, RH, AUSST
12	1	00028011-A 00028011-B 00028011-D	GATE ADJ BAR, RH, .188, MS GATE ADJ BAR, RH, .188, 304SST GATE ADJ BAR, RH, .188, AUSST
13	1	00028012-A 00028012-B 00028012-D	GATE ADJ BAR, LH, .188, MS GATE ADJ BAR, LH, .188, 304SST GATE ADJ BAR, LH, .188, AUSST
14	1	00062101-A 00062101-B 00062101-H	DEFLECTOR WELDMENT, SIDE, LH, MS DEFLECTOR WELDMENT, SIDE, LH, 304SST DEFLECTOR WELDMENT, SIDE, LH, AUSST



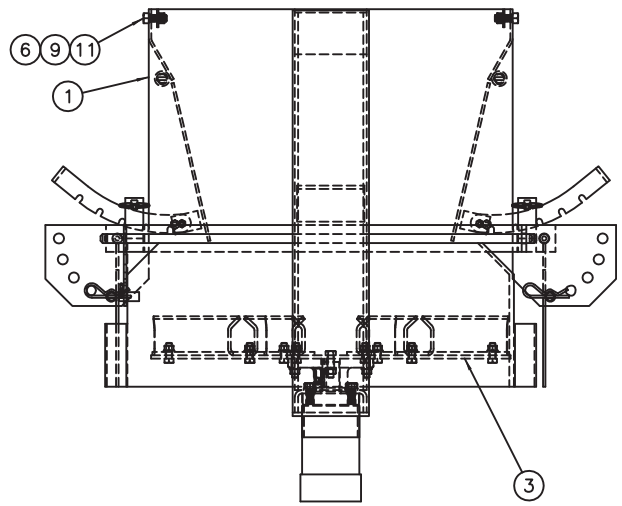
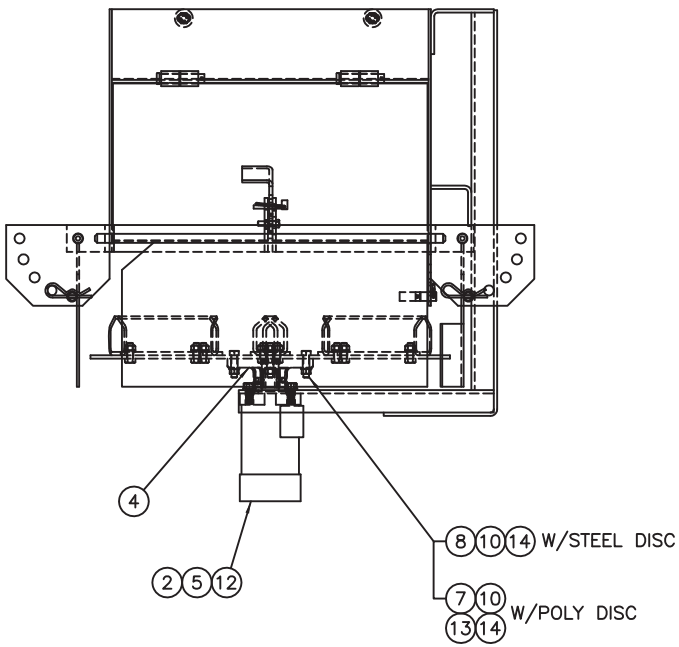
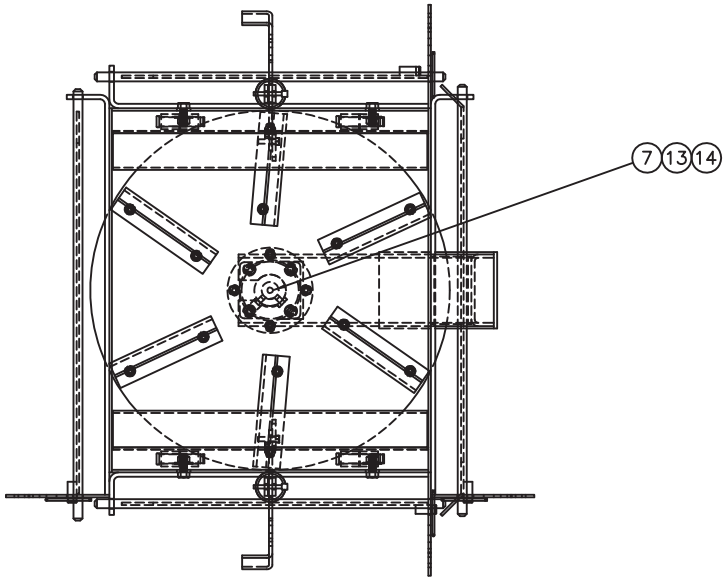
### 00063485 CHUTE ASSEMBLY, TWIN SPINNER

Item	Qty.	Part Number	Description
1	1	00059898-A 00059898-B 00059898-C	CHUTE WELDMNT, LOWER, TWIN SPINNER, MS CHUTE WELDMNT, LOWER, TWIN SPINNER, 304SST CHUTE WELDMNT, LOWER, TWIN SPINNER, AUSST
2	1	00028011-A 00028011-B 00028011-D	GATE ADJUSTING BAR, RH, MS GATE ADJUSTING BAR, RH, 304SST GATE ADJUSTING BAR, RH, AUSST
3	1	05010593 05016040	BOLT, .250-20 X 1, G8, HHCS, ZINC BOLT, .250-20 X 1, HHCS, SS
4	1	05020899 05020906	NUT, .250-20, TOP LOCK, ZINC NUT, .250-20, NYLON LOCK, 316 SST
5	1	05022106	PIN, .188 LYNCH
6	4	05050574	KNOB, PLASTIC STAR GRIP, .375-16, NUTSERT
7	8	05021307 05021390	WASHER, .375, FLAT, ZINC WASHER, .375, FLAT, SAE, SS
8	4	05013986 05016003	BOLT, .375-16 X 1, G5, CARRIAGE, ZINC BOLT, .375-16 X 1, CARRIAGE, SST
9	4	05020898 05020891	NUT, .375-16, GC, TOP LOCK, C&W NUT, .375-16, NYLON LOCK, 316 SS



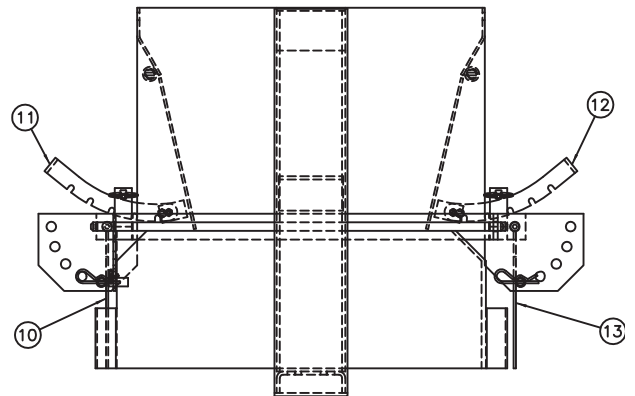
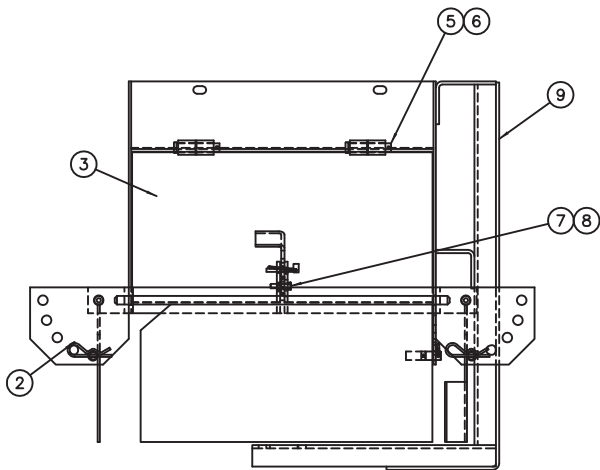
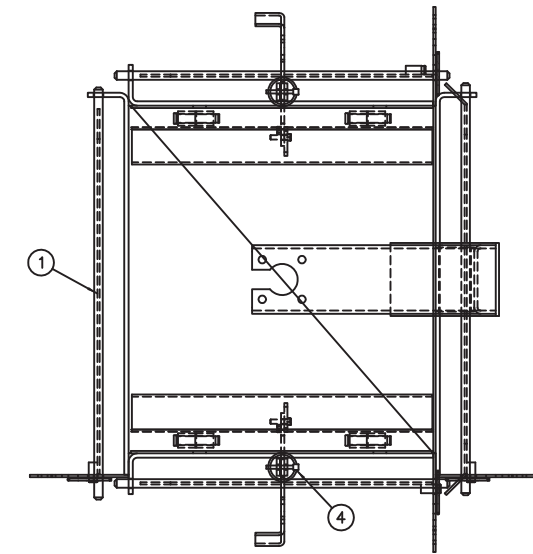
### 00077502 CHUTE ASSEMBLY, LOWER

Item	Qty.	Part Number	Description
1	1	00076982-A 00076982-B	DEFLECTOR WELDMENT, REAR, MS DEFLECTOR WELDMENT, REAR, SST
2	4	05022035	HAIR PIN, .125
3	2	00076999-A 00076999-B	RESTRICTOR GATE WELDMENT, .188, MS RESTRICTOR GATE WELDMENT, .188, SST
4	4	05022106	PIN, LYNCH, .188
5	4	05022055 05022069	PIN, CLEVIS, .5 X 2.5 PIN, CLEVIS, .5 X 2.5, 304
6	4	05022072	PIN, ROLL, .156 X .875
7	2	05010593 05016040	BOLT, .250-20 X 1, G8, HHCS, ZINC BOLT, .250-20X 1, HHCS, SST
8	2	05020899 05020906	NUT, .250-20, GC, TOPLOCK, C&W NUT, .250-20, NYLON LOCK, 316 SST
9	1	00076998-A 00076998-B	SPINNER WELDMENT, .188, MS SPINNER WELDMENT, .188, SST
10	1	00076987-A 00076987-B	DEFLECTOR WELDMENT, FRONT, .188, MS DEFLECTOR WELDMENT, FRONT, .188, SST
11	1	00076984-A 00076984-B	DEFLECTOR WLDMENT, SIDE, RH, .188, MS DEFLECTOR WLDMENT, SIDE, RH, .188, SST
12	1	00028011-A 00028011-B	GATE ADJUSTING BAR, RH, MS GATE ADJUSTING BAR, RH, SST
13	1	00028012-A 00028012-B	GATE ADJUSTING BAR, LH, MS GATE ADJUSTING BAR, LH, SST
14	1	00076985-A 00076985-B	DEFLECTOR WELDMENT, SIDE, LH, .188, MS DEFLECTOR WELDMENT, SIDE, LH, .188, ST



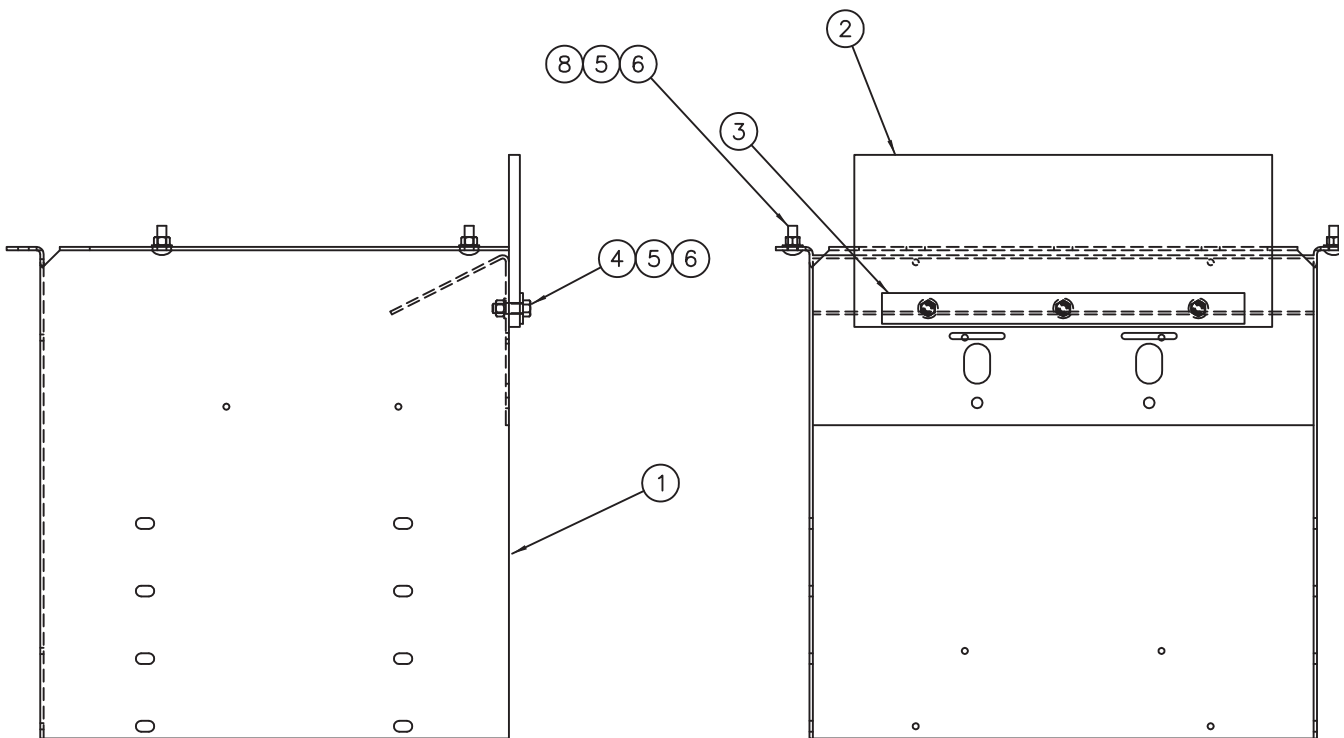
**00071794 SPINNER ASSEMBLY, LOWER, BOT MOUNT MOTOR**

<b>Item</b>	<b>Qty.</b>	<b>Part Number</b>	<b>Description</b>
1	1	00044293-A	CHUTE ASSY,LOWER,BOT MT MOTOR,MS <i>See Page 148</i>
1	1	00044293-B	CHUTE ASSY,LOWER,BOT MT MOTOR,304
2	1	05006673	MOTOR,HYD,WHITE,3.2CI,4B,1"EXT <i>See Page 172</i>
3	1	00099401-A	SPINNER DISC ASSY,18,CCW,MS
3	1	00099401-B	SPINNER DISC ASSY,18,CCW,304
3	1	00099404-A	SPINNER DISC ASSY,18,CCW,MS <i>See Page 156</i>
3	1	00099404-B	SPINNER DISC ASSY,20.0,CCW,304
3	1	05050794	DISC,SPINNER,20"CCW,RED,POLY <i>See Page 158</i>
4	1	05051380	HUB,SPINNER ASSY,STD, SHORT
5	4	05010645	BOLT .375-16 x 1.50 G8 HHCS ZC
5	4	05016162	BOLT .375-16 x 1.50 HHCS SS
6	4	05013986	BOLT .375-16 x 1.00 G5 CRG ZC
6	4	05016003	BOLT .375-16 x 1.00 CRG SS
7	1	05010618	BOLT .313-18 x 1.00 G8 HHCS ZC
7	5	05010640	BOLT .313-18 x 1.50 HHCS SS
8	4	05010619	BOLT .313-18 x 1.25 G8 HHCS ZC
8	4	05016139	BOLT .313-18 x 1.25 HHCS SS
9	4	05020891	NUT .375-16 NYLON LOCK 316 SS
9	4	05020898	NUT .375-16 GC TOPLOCK C&W
10	4	05020265	NUT .313-18 G8 HEX ZC
10	4	05020855	NUT .313-18 HEX SS
11	4	05021307	WASHER .375 FLAT ZC
11	4	05021390	WASHER .375 FLAT,SAE SS
12	4	05021365	WASHER .375 LOCK ZC
12	4	05021392	WASHER .375 LOCK SS
13	1	05021306	WASHER .313 FLAT ZC
14	5	05021364	WASHER .313 LOCK ZC
15	1	00122073	SEAL SAVER,MOTOR,SPINNER
16	1	05050288	GREASE ZERK,.250-28 STRAIGHT



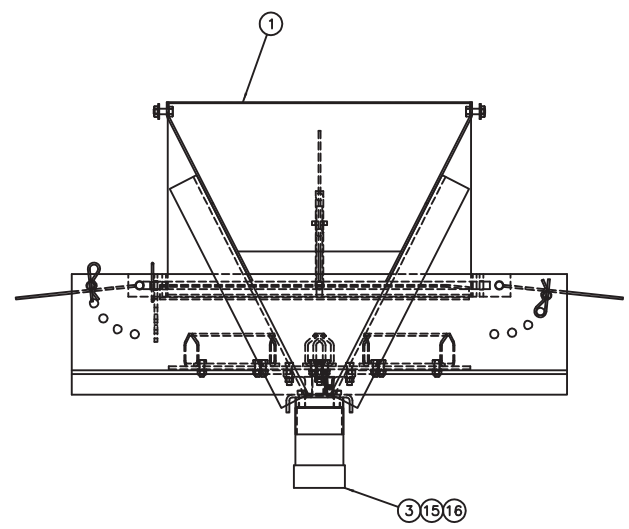
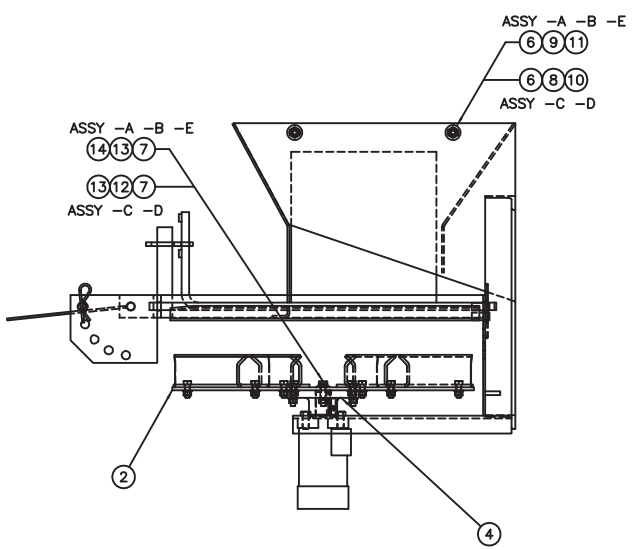
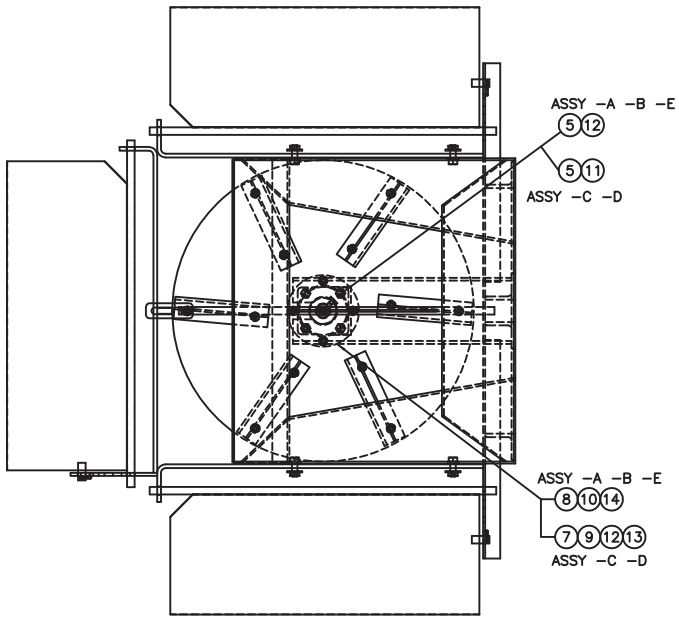
### 00044293 CHUTE ASSEMBLY, LOWER, BOT MT MOTOR

Item	Qty.	Part Number	Description
1	1	00062116-A	DEFLECTOR WLDMT,SPNR,MV/MSV,RR,MS
1	1	00062116-B	DEFLECTOR WLDMT,SPNR,MV/MSV,RR,304
2	4	05022035	PIN #11 HAIR ZC
3	2	00078894-A	RESTRICTOR GATE WLDMT,MV/MSV,MS
3	2	00078894-B	RESTRICTOR GATE WLDMT,MV/MSV,304
4	2	05022106	PIN .188 LYNCH
5	4	05022055	PIN .50 x 2.500 CLEVIS ZC
5	4	05022069	PIN, .5 C 2.5 CLEVIS, SS
6	4	05022072	PIN .156 x .875 ROLL ZC
7	2	05010593	BOLT .250-20 x 1.00 G8 HHCS ZC
8	2	05020899	NUT .250-20 TOP LOCK ZC
9	1	00044292-A	SPINNER WLDMT,MV/MSV,MS
9	1	00044292-B	SPINNER WLDMT,MV/MSV,304
10	1	00062104-A	DEFLECTOR WLDMT,SPNR,MV/MSV,RH,MS
10	1	00062104-B	DEFLECTOR WLDMT,SPNR,MV/MSV,RH,304
11	1	00028011-A	GATE ADJUSTING BAR,SPNR,MV/MSV,RH,MS
11	1	00028011-B	GATE ADJUSTING BAR,SPNR,MV/MSV,RH,304
12	1	00028012-A	GATE ADJUSTING BAR,SPNR,MV/MSV,LH,MS
12	1	00028012-B	GATE ADJUSTING BAR,SPNR,MV/MSV,LH,304
13	1	00062101-A	DEFLECTOR WLDMT,SPNR,MV/MSV,LH,MS
13	1	00062101-B	DEFLECTOR WLDMT,SPNR,MV/MSV,LH,304



**00028044 CHUTE ASSEMBLY, BOLT-ON, V-BOX**

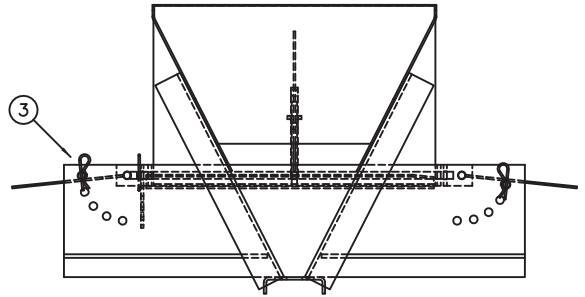
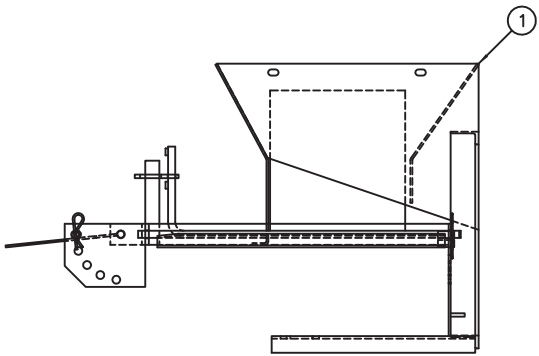
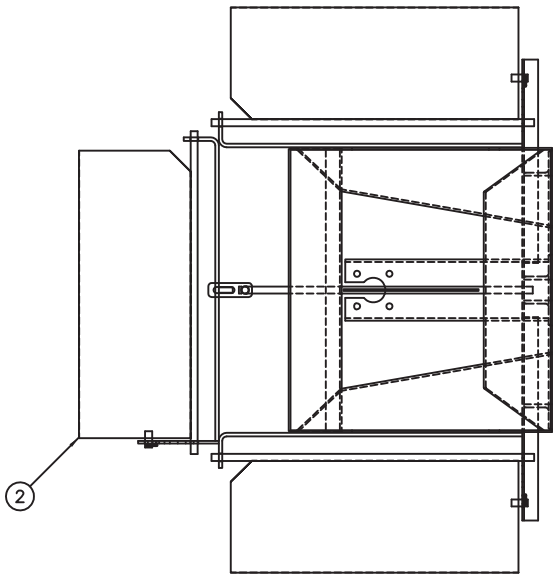
Item	Qty.	Part Number	Description
1	1	00028043-A	CHUTE WLDMT,BOLT ON MV/MSV 10GA MS
1	1	00028043-B	CHUTE WLDMT,BOLT ON MV/MSV 10GA 304
1	1	00028043-C	CHUTE WLDMT,BOLT ON MV/MSV,10GA,CORTEN
1	1	00028043-D	CHUTE WLDMT,BOLT ON MV/MSV 12GA MS
1	1	00028043-E	CHUTE WLDMT,BOLT ON MV/MSV 12GA 304
1	1	00028043-F	CHUTE WLDMT,BOLT ON MV/MSV 10GA,AUSST
1	1	00028043-G	CHUTE WLDMT,BOLT ON MV/MSV,12GA,AUSST
2	1	05050055	WIPER, REAR
3	1	00053253-A	WIPER BRACKET MS
3	1	00053253-B	WIPER BRACKET 304SST
3	1	00053253-D	WIPER BRACKET CORTEN
3	1	00053253-F	WIPER BRACKET AUSST
4	3	05010644	BOLT .375-16 x 1.25 G8 HHCS ZC
4	3	05016049	BOLT .375-16 x 1.25 HHCS SST
5	7	05020891	NUT .375-16 NYLON LOCK 316 SST
5	7	05020898	NUT .375-16 TOPLOCK C&W,GRC
6	7	05021307	WASHER .375 FLAT ZC
6	7	05021390	WASHER .375 FLAT SST
7	3	05051402	DECAL-DANGER:TURNING SPINNERS. *NS*
8	4	05013986	BOLT .375-16 x 1.00 G5 CRG ZC
8	4	05016003	BOLT .375-16 x 1.00 CRG SST
9	1	00091758	CANISTER KIT,MANUAL STORAGE





**00097343 SPINNER ASSEMBLY, LOWER, SWN**

<b>Item</b>	<b>Qty.</b>	<b>Part Number</b>	<b>Description</b>	
1	1	00097357-A	CHUTE ASSY,LOWER,BOT MT MTR,MV/MSV	<i>See Page 152</i>
1	1	00097357-B	CHUTE ASSY,LOWER,BOT MT MTR,MV/MSV	
1	1	00097357-C	CHUTE ASSY,LOWER,BOT MT MTR,MV/MSV	
1	1	00097357-D	CHUTE ASSY,LOWER,BOT MT MTR,MV/MSV	
2	1	00099404-A	DISC ASSY,SPINNER,20,CCW,MS	<i>See Page 156</i>
2	1	00099404-B	DISC ASSY,SPINNER,20,CCW,304	
2	1	00099404-E	DISC ASSY,SPINNER,20,CCW,AUSST	
2	1	05050794	DISC ASSY,SPINNER,20,CCW,MS	<i>See Page 158</i>
3	1	05006673	MOTOR,HYD,WHITE,3.2CI,4B,1"EXT	<i>See Page 172</i>
4	1	05051380	HUB,SPNR ASSY,STD,SHORT W/SET SCREW	
5	4	05010645	BOLT .375-16x1.50 G8 HHCS ZC	
5	4	05016162	BOLT .375-16x1.50 HHCS SST	
6	4	05013986	BOLT .375-16x1.00 G5 CRG ZC	
6	4	05016003	BOLT .375-16x1.00 CRG SST	
7	1	05010618	BOLT .313-18x1.00 HHCS SST	
7	1	05016138	BOLT .313-18x1.00 HHCS SST	
7	5	05010620	BOLT .313-18x1.50 G8 HHCS ZC	
7	5	05016140	BOLT .313-18x1.50 HHCS SST	
8	4	05010619	BOLT .313-18x1.25 G8 HHCS ZC	
8	4	05016139	BOLT .313-18x1.25 HHCS SST	
9	4	05020891	NUT .375-16 NYLON LOCK 316 SST	
9	4	05020898	NUT .375-16 GC TOPLOCK C&W	
10	4	05020265	NUT .313-18 G8 HEX ZC	
10	4	05020855	NUT .313-18 HEX SST	
11	4	05021307	WASHER .375 FLAT ZC	
11	4	05021390	WASHER .375 FLAT SST	
12	4	05021365	WASHER .375 LOCK ZC	
12	4	05021392	WASHER .375 LOCK SST	
13	5	05021306	WASHER .313 FLAT ZC	
14	5	05021364	WASHER .313 LOCK ZC	
15	1	00122073	SEAL SAVER,MOTOR,SPINNER	
16	1	05050288	GREASE ZERK,.250-28 STRAIGHT	



**00097357 CHUTE ASSEMBLY, LOWER, BOT MT MOTOR, SWN**

<b>Item</b>	<b>Qty.</b>	<b>Part Number</b>	<b>Description</b>
1	1	00097345-A	CHUTE WLDMT,LOWER,MV/MSV,SWN,MS
1	1	00097345-B	CHUTE WLDMT,LOWER,MV/MSV,SWN,304
1	1	00097345-C	CHUTE WLDMT,LOWER,MV/MSV,SWN,304L
1	1	00097345-D	CHUTE WLDMT,LOWER,MV/MSV,SWN,AUSST
2	3	00048696-A	DEFLECTOR WLDMT,SPINNER,MS
2	3	00048696-B	DEFLECTOR WLDMT,SPINNER,304
2	3	00048696-C	DEFLECTOR WLDMT,SPINNER,304L,12GA
2	3	00048696-D	DEFLECTOR WLDMT,SPINNER,AUSST,12GA
3	3	05022035	PIN #11 HAIR ZC

**00080876 ENCLOSURE KIT, SPINNER, CHUTE**

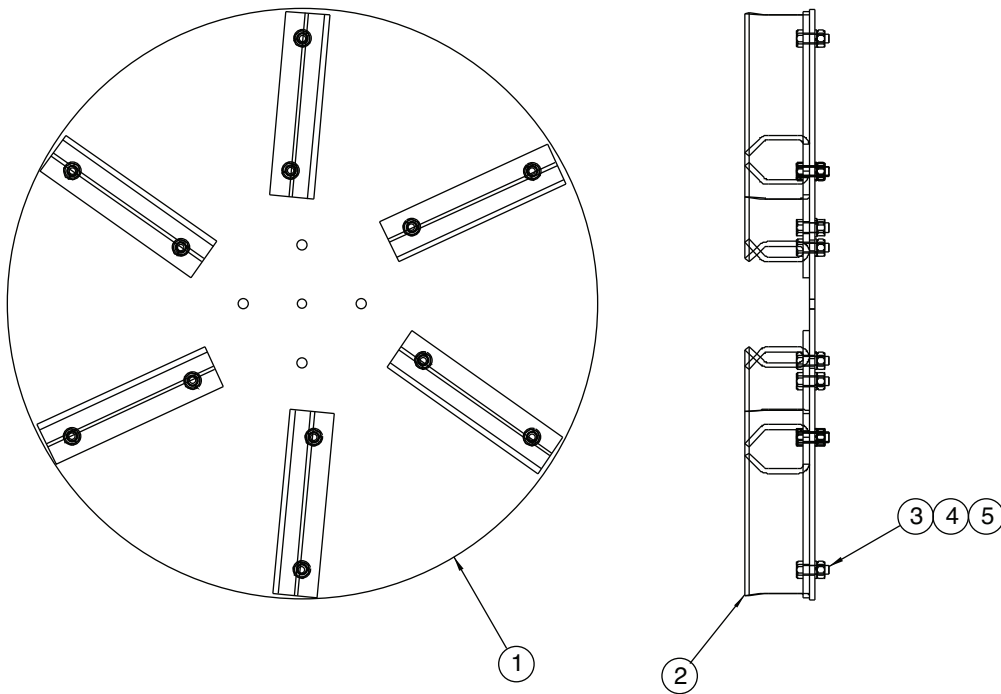
<b>Item</b>	<b>Qty.</b>	<b>Part Number</b>	<b>Description</b>
1	1	00059837-A 00059837-B 00059837-C 00059837-D 00059837-E 00059837-F 00059837-G	ENCLOSURE, 10GA, MS ENCLOSURE, 10GA, 304 ENCLOSURE, 12GA, MS ENCLOSURE, 12GA, 304 ENCLOSURE, 10GA, CORTEN ENCLOSURE, 10GA, AUSST ENCLOSURE, 12GA, AUSST
2	4	05013986 05016003	BOLT, .375-16 X 1, G5, CARRIAGE, ZINC BOLT, .375-16 X 1, CARRIAGE, SST
3	4	05020898 05020891	NUT, .375-16, GC, TOP LOCK, C&W NUT, .375-16, NYLON LOCK, 316 SST
4	4	05021307 05021390	WASHER, .375, FLAT, ZINC WASHER, .375, FLAT, SST

**00019330 EXT KIT, SPINNER, TIP UP**

Item	Qty.	Part Number	Description
1	1	00065912-A 00065912-B	EXTENSION WELDMENT, CHUTE, TIP-UP, , 10GA, MS EXTENSION WELDMENT, CHUTE, TIP-UP, , 10GA, SST
2	4	05013987 05016746	BOLT, .375-16 X 1.250,G5, CARRIAGE, ZINC BOLT, .375-16 X 1.250, CARRIAGE, SST
3	4	05020898 05020891	NUT, .375-16, TOP LOCK, C&W NUT, .375-16, NYLON LOCK, 316 SST
4	8	05021307 05021390	WASHER, .375, FLAT, ZINC WASHER, .375, FLAT, SST

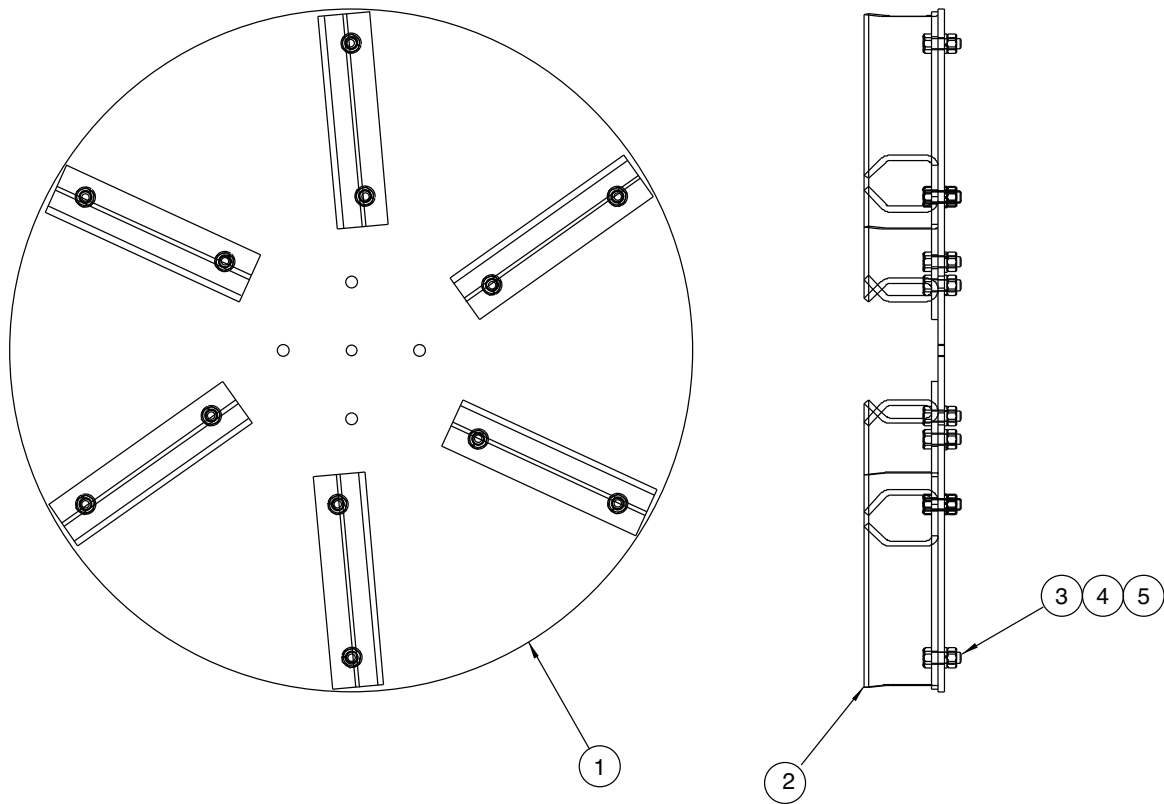
**00012876 EXTENSION KIT, SPINNER, BOLT-ON**

Item	Qty.	Part Number	Description
1	1	00059889-A 00059889-B	EXTENSION WELDMENT, CHUTE, TIP-UP, MS EXTENSION WELDMENT, CHUTE, TIP-UP, SST
2	4	05013987 05016746	BOLT, .375-16 X 1.250,G5, CARRIAGE, ZINC BOLT, .375-16 X 1.250, CARRIAGE, SST
3	4	05020898 05020891	NUT, .375-16, TOP LOCK, C&W NUT, .375-16, NYLON LOCK, 316 SST
4	4	05021307 05021390	WASHER, .375, FLAT, ZINC WASHER, .375, FLAT, SST



**00099404 DISC ASSEMBLY, SPINNER, 20" CCW**

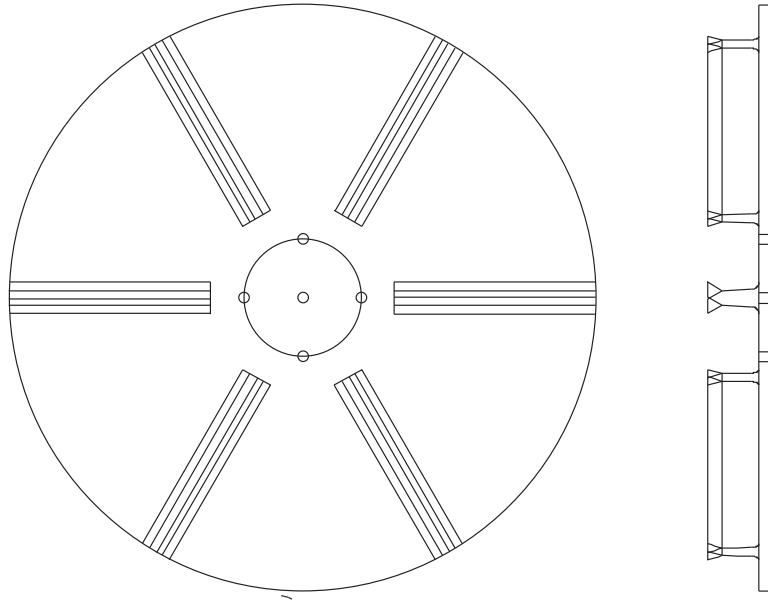
Item	Qty	Part Number	Description
1	1	00062012-A 00062012-B 00062012-C 00062012-D	Spinner Disc, 20" MS Spinner Disc, 20" SST Spinner Disc, 20" AR Spinner Disc, 20" Corten
2	6	00080425-A 00080425-B 00080425-C	Spinner Flight, MS Spinner Flight, SST Spinner Flight, Corten
3	12	05010617 05016137	Bolt, $\frac{5}{16}$ -18 x $\frac{7}{8}$ , G8, HHCS, Zinc Bolt, $\frac{5}{16}$ -18 x $\frac{7}{8}$ , HHCS, SST
4	12	05020265 05020855	Nut, Hex, $\frac{5}{16}$ -18, G8, Zinc Nut, Hex, $\frac{5}{16}$ -18, G8, SST
5	12	05021364 05021407	Washer, Lock, $\frac{5}{16}$ , Zinc Washer, Lock, $\frac{5}{16}$ , SSST



**00099403 DISC ASSEMBLY, SPINNER, 20 CW**

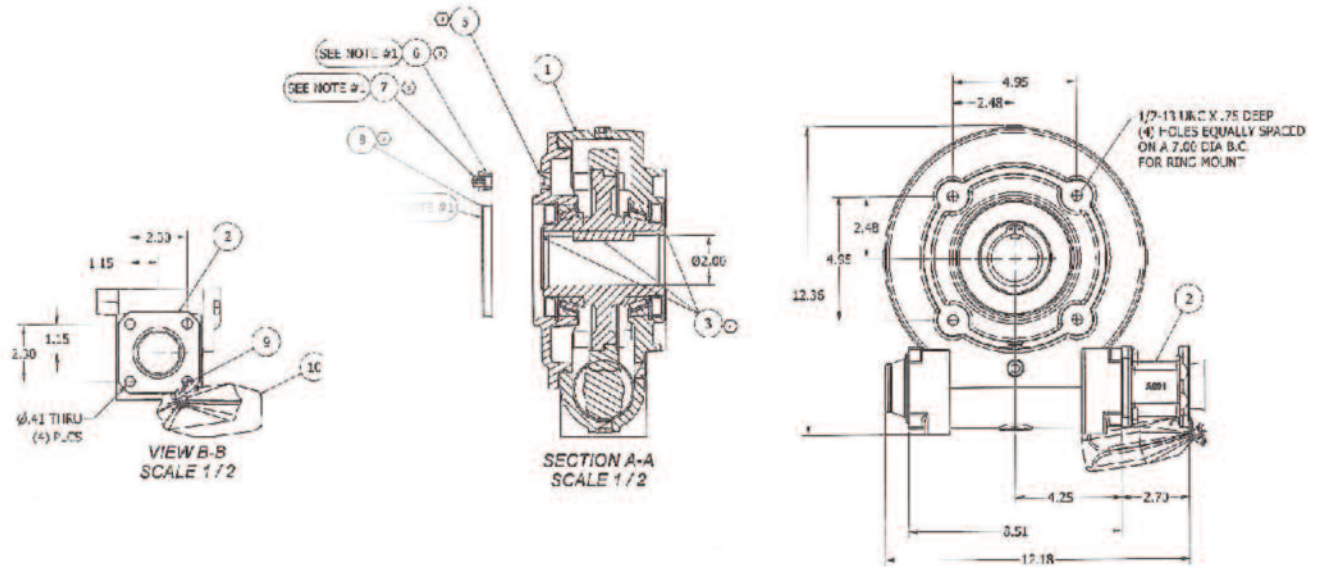
Item	Qty	Part Number	Description
1	1	00062012-A 00062012-B 00062012-C 00062012-D	Spinner Disc, 20", MS Spinner Disc, 20", SST Spinner Disc, 20", AR Spinner Disc, 20", Corten
2	6	00080425-A 00080425-B 00080425-C	Spinner Flight, MS Spinner Flight, SST Spinner Flight, Corten
3	12	05010617 05016137	Bolt, $\frac{5}{16}$ -18 x $\frac{7}{8}$ , G8, HHCS, Zinc Bolt, $\frac{5}{16}$ -18 x $\frac{7}{8}$ , HHCS, SST
4	12	05020265 05020855	Nut, Hex, $\frac{5}{16}$ -18, G8, Zinc Nut, Hex, $\frac{5}{16}$ -18, G8, SST
5	12	05021364 05021407	Washer, Lock, $\frac{5}{16}$ , G5, Zinc Washer, Lock, $\frac{5}{16}$ , G5, SST

**05050794 SPINNER DISC, 20" CCW, POLY WITH MOLDED FLIGHTS**



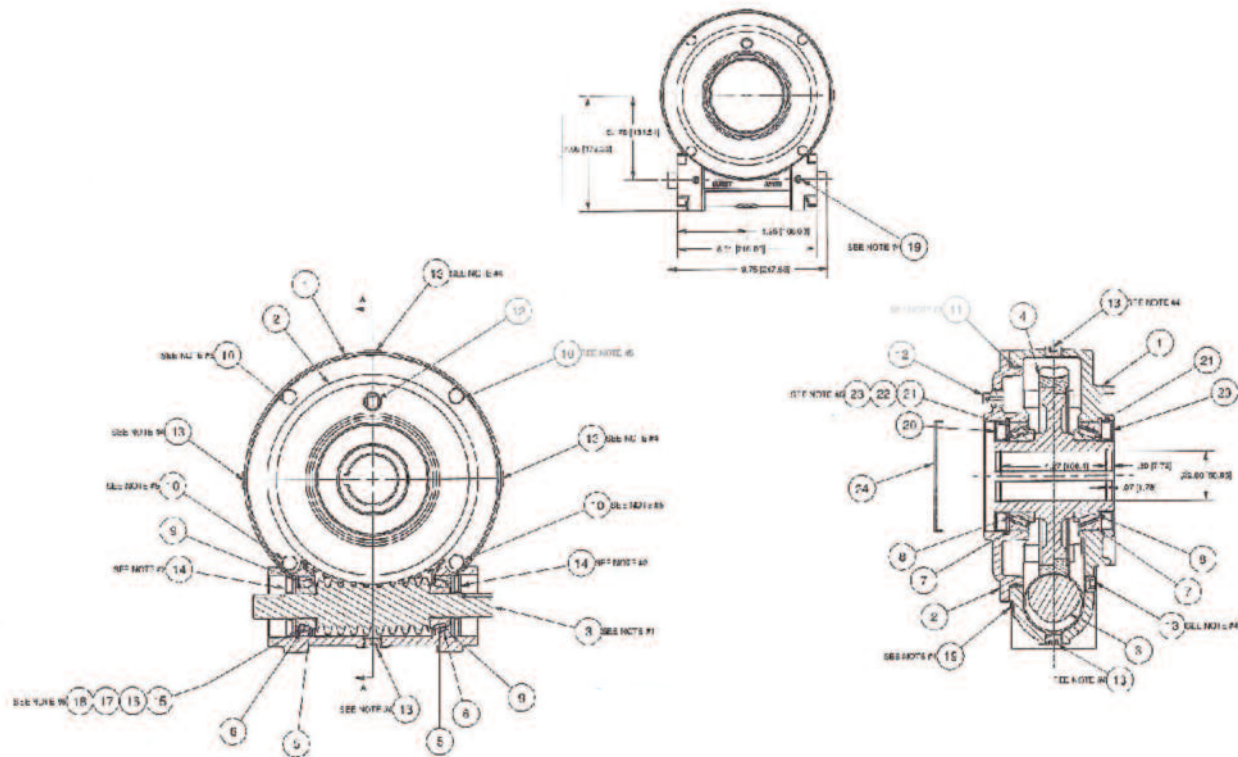


## **Left Intentionally Blank**



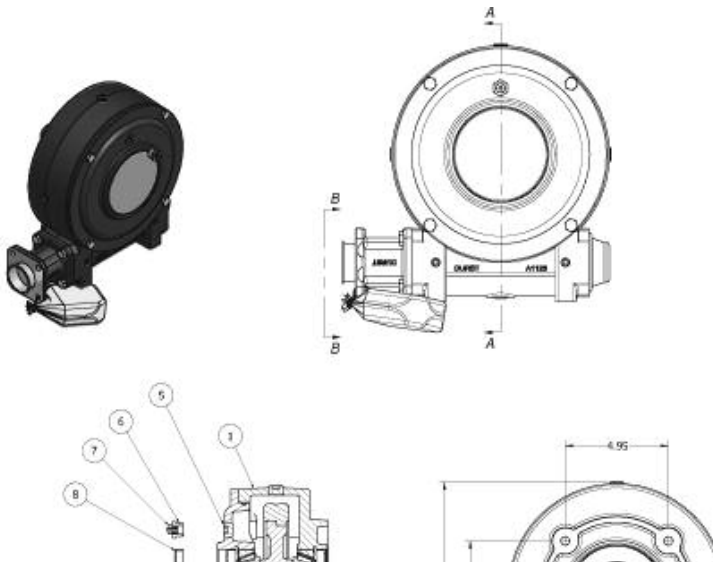
### 05007427 GEARBOX, 25:1

Item	Qty	Part Number	Description
	1	A1126S25RH	WORM DRIVE ASSEMBLY (SEE NEXT PAGE)
2	1	05007452	4-BOLT HYD ADAPTER KIT
3	1	05007459	2" DIA SHAFT OUTPUT KIT
5	1	05007122	HEX PLUG
6	1	05007460	REDUCER
7	1	05007461	PRESSURE RELIEF
8	1	05007458	EXPANSION PLUG



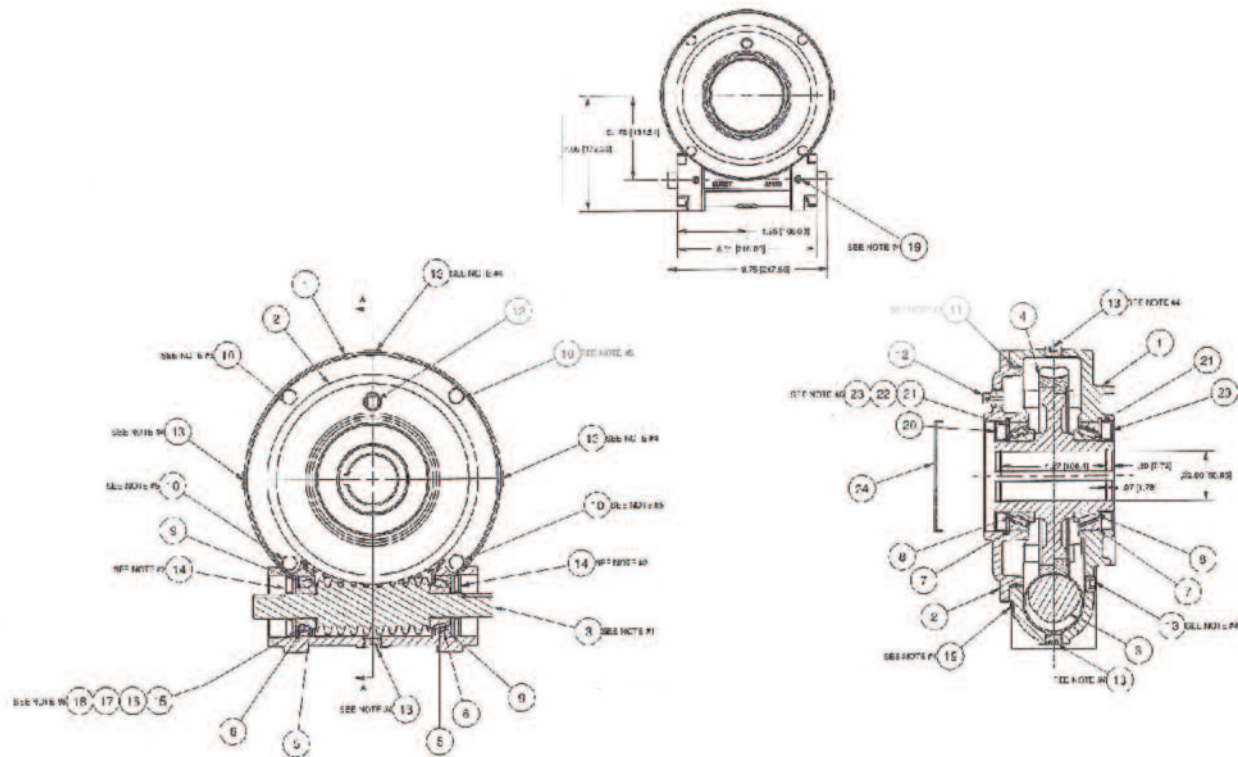
### A1126S25RH WORM DRIVE ASSEMBLY

Item	Qty.	Part Number	Description
5		---	CONE, BEARING
6		05007305	CUP, BEARING
7		---	BEARING CUP
8		--	BEARING CONE
9		05007059	RETAINING RING
10		05010643	3/8-16 UNC X 1 LG
11		05007459	#2698.734 X 9.12 X .139
12		---	PIPE VENT, SQUARE HEAD
13		05007456	PLUG, HEX SOC PIPE
14		05007072	SEAL, 1 X 2.533 X .25
15		---	SHIM 2 X 2.406 X .20
16		---	SHIM 2 X 2.406 X .007
17		---	SHIM 2 X 2.406 X .005
18		---	SHIM 2 X 2.406 X .010
19		---	SOCKET HEAD PIPE PLUG
20		05007455	SEAL, 2.875 X 4.501 X .439
21		---	INTERNAL RETAINING RING
22		---	SHIM 3.94 X 4.41 X .005
23		---	SHIM 3.94 X 4.41 X .010
24		05007458	PLUG, EXPANSION, 4.5" BORE



**05007438 GEARBOX, 50:1**

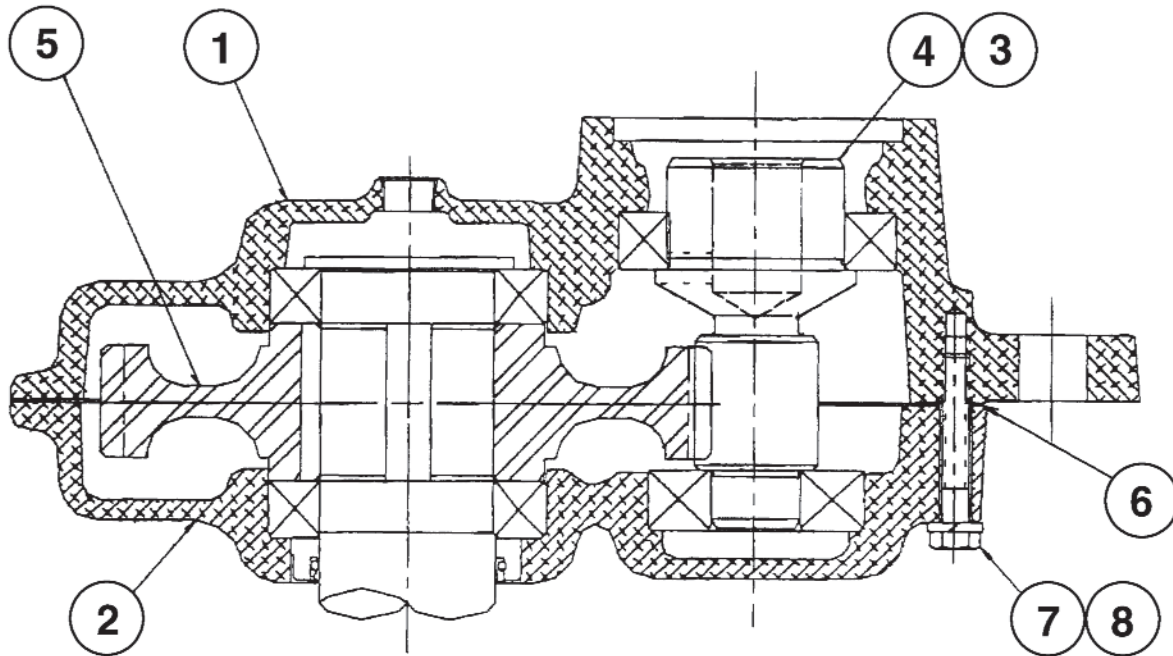
Item	Qty	Part Number	Description
	1	A1126S50RH	WORM DRIVE ASSEMBLY (SEE NEXT PAGE)
2	1	05007452	4-BOLT HYD ADAPTER KIT
3	1	05007459	2" DIA SHAFT OUTPUT KIT
5	1	05007122	HEX PLUG
6	1	05007460	REDUCER
7	1	05007461	PRESSURE RELIEF
8	1	05007458	EXPANSION PLUG



### A1126S50RH WORM DRIVE ASSEMBLY

Item	Qty.	Part Number	Description
5		05007055	CONE, BEARING
6		05007305	CUP, BEARING
7		---	BEARING CUP
8		--	BEARING CONE
9		05007059	RETAINING RING
10		05010643	3/8-16 UNC X 1 LG
11		05007457	#2698.734 X 9.12 X .139
12		---	PIPE VENT, SQUARE HEAD
13		05007122	PLUG, HEX SOC PIPE
14		05007456	SEAL, 1 X 2.533 X .25
15		05007672	SHIM 2 X 2.406 X .20
16		---	SHIM 2 X 2.406 X .007
17		---	SHIM 2 X 2.406 X .005
18		---	SHIM 2 X 2.406 X .010
19		---	SOCKET HEAD PIPE PLUG
20		05007455	SEAL, 2.875 X 4.501 X .439
21		---	INTERNAL RETAINING RING
22		---	SHIM 3.94 X 4.41 X .005
23		---	SHIM 3.94 X 4.41 X .010
24		05007458	PLUG, EXPANSION, 4.5" BORE

05051148 -- GEARBOX ASSEMBLY, 6:1

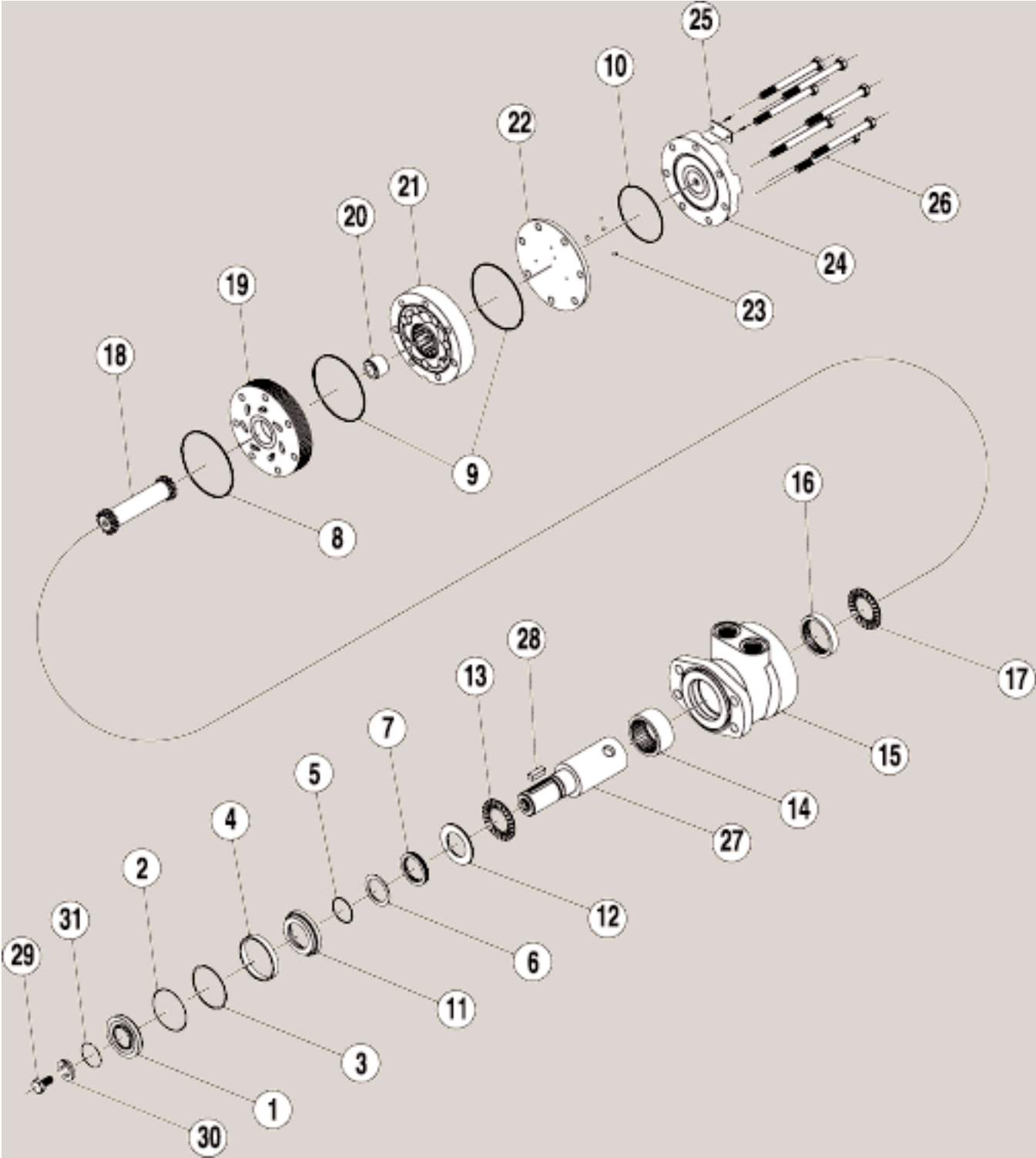


**GEARBOX ASSEMBLY PARTS LIST**

ITEM	QTY	PART #	DESCRIPTION
1	1	05007221	Casting Assembly, Outboard, RCS
2	1	05007222	Casting Assembly, Inboard
3	1	05007138	Plug, Delrin
4	1	05007223	Gear, Pinion
5	1	05007139	Gear, Driven
6	1	05007224	Gasket, Standard
7	9	05007149	Washer, Lock
8	9	05007220	Screw, Cap
--	1	05053217	O-Ring

# **Left Intentionally Blank**

05006548 MOTOR, HYDRAULIC, WHITE, 17.9 CI, 2 BOLT

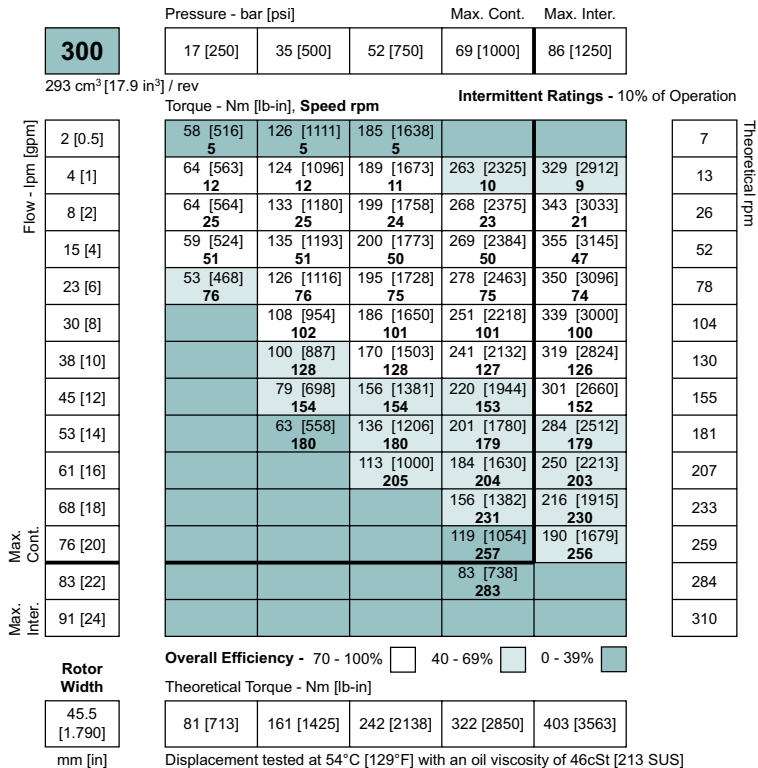




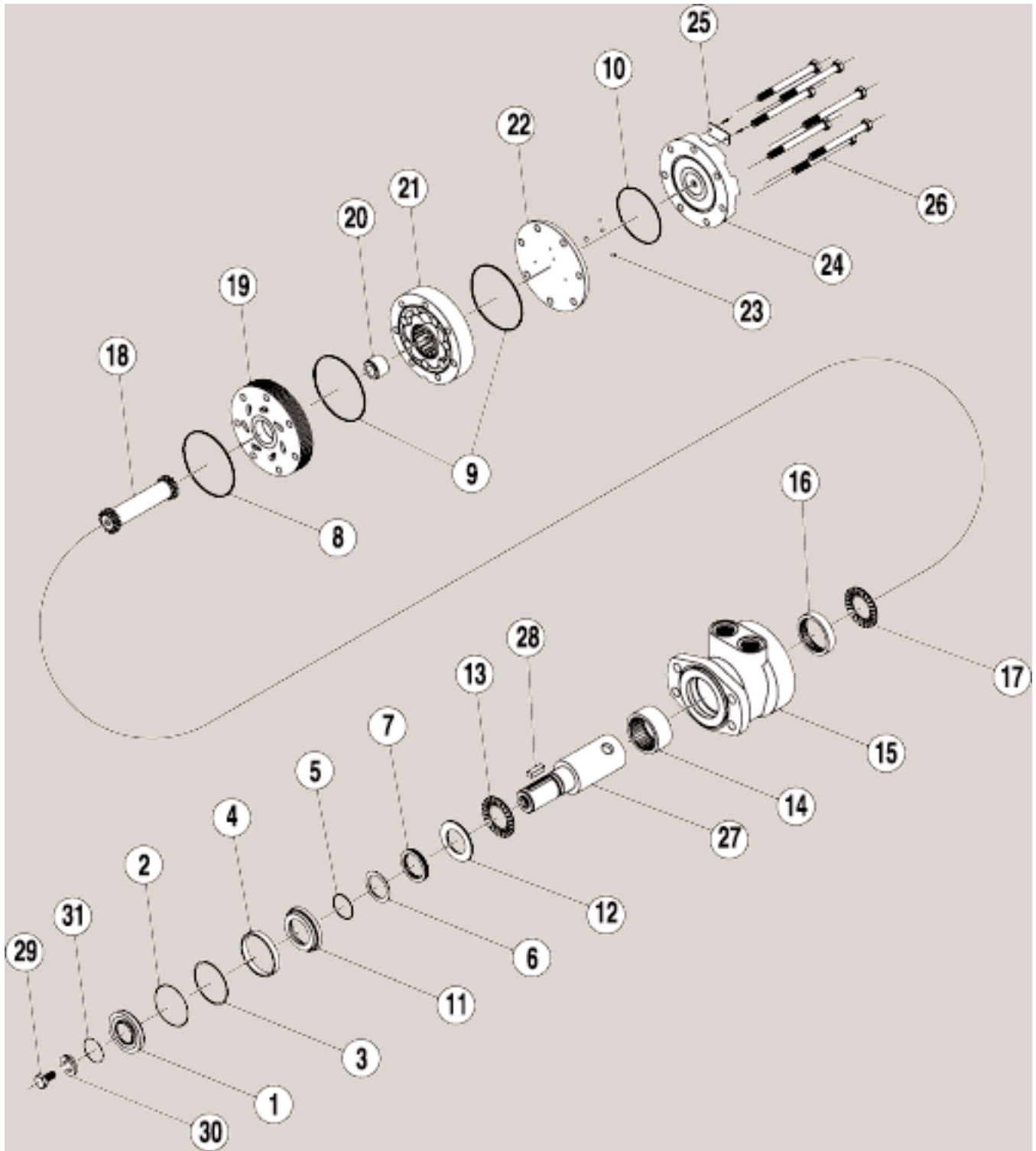
# MOTOR ASSEMBLY PARTS LIST

Item	Part Number	Description
1	Seal Kit 05006061	Dust Seal
2		Split Wire Ring
3		Metal Backup Shim
4		High Pressure Seal
5		Metal Backup Shim
6		Teflon Backup Shim
7		Shaft Seal
8		Body Seals (3)
9		Seal Carrier
10		Thrust Washer
11	05006357	Thrust Bearing
12	05006366	Drive Link Kit
13	05006359	Wear Plate
14	05006376	Rotor Kit
15	05006377	Drive Link Pin Kit
16	---	Included in item #15 Drive Link Pin Kit
17	05006360	End Cover
18	---	Serial Number Plate
19	05006378	Bolt Set Kit
20	05006565	Housing Kit, 2-Hole, w/ 7/8" O-Ring
21	05006358	Cooling Plug
22	05006370	Shaft Kit, 1" Straight
23	05006371	Key Kit, 1" Straight

## DISPLACEMENT PERFORMANCE



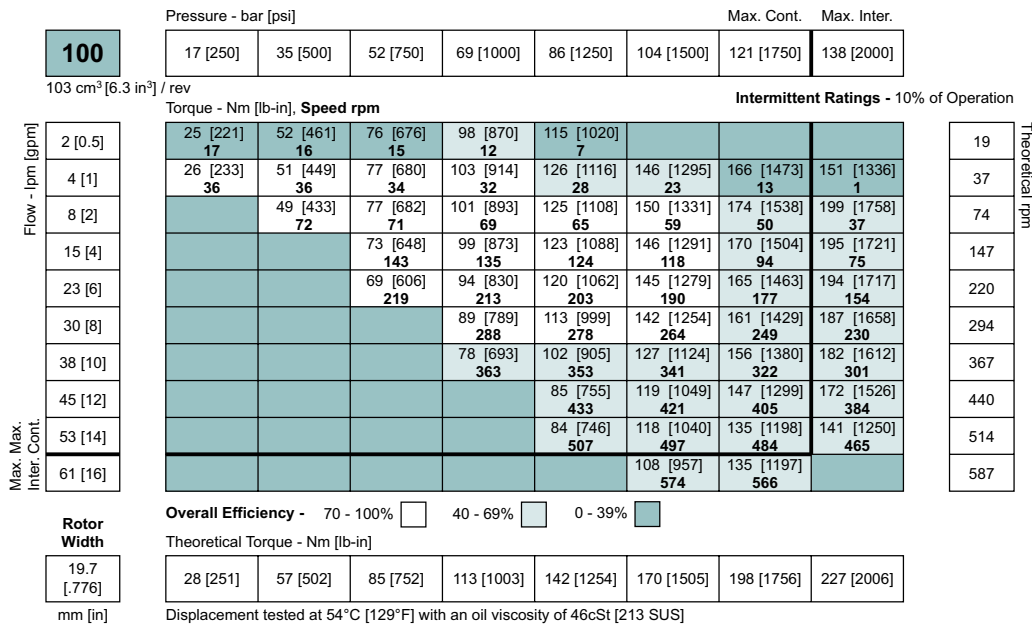
05006550 MOTOR, HYDRAULIC, WHITE, 6.3 CI, 4-BOLT

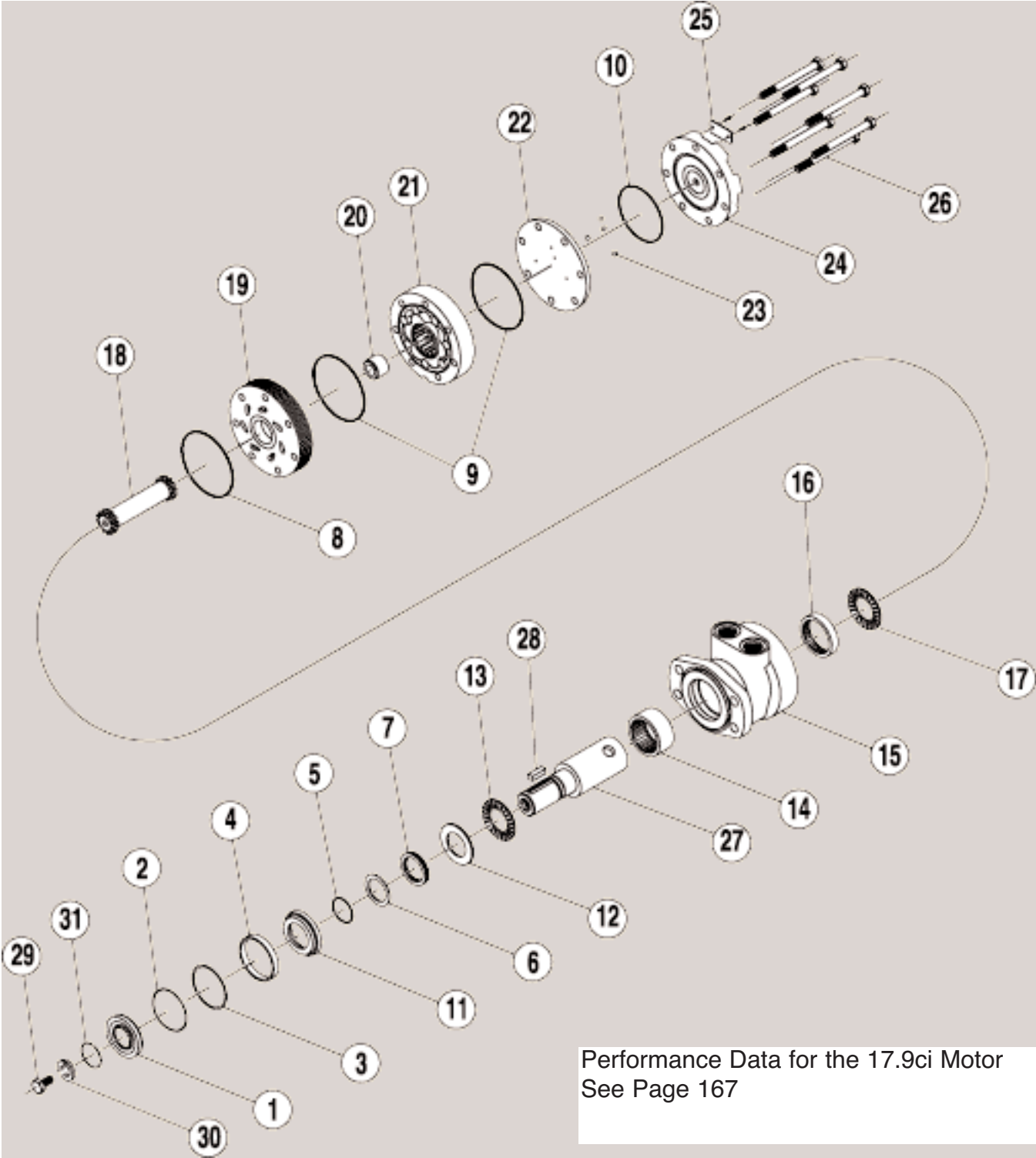


# MOTOR ASSEMBLY PARTS LIST

Item	Part Number	Description
1	Seal Kit 05006061	Dust Seal
2		Split Wire Ring
3		Metal Backup Shim
4		High Pressure Seal
5		Metal Backup Shim
6		Teflon Backup Shim
7		Shaft Seal
8		Body Seals (3)
9		Seal Carrier
10		Thrust Washer
11	05006357	Thrust Bearing
12	05006574	Drive Link Kit
13	05006359	Wear Plate
14	05006573	Rotor Kit
15	05006575	Drive Link Pin Kit
16	---	Included in item #15 Drive Link Pin Kit
17	05006360	End Cover
18	---	Serial Number Plate
19	05006576	Bolt Set Kit
20	05006564	Housing Kit, 4-Hole, w/ 7/8" O-Ring
21	05006358	Cooling Plug
22	05006370	Shaft Kit, 1" Straight
23	05006371	Key Kit, 1" Straight

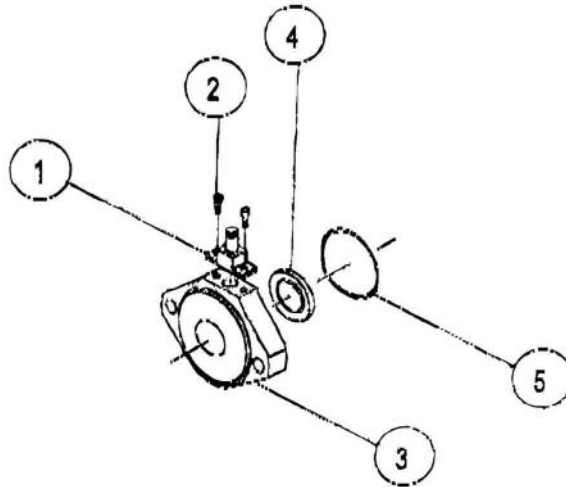
## DISPLACEMENT PERFORMANCE





## MOTOR ASSEMBLY PARTS LIST

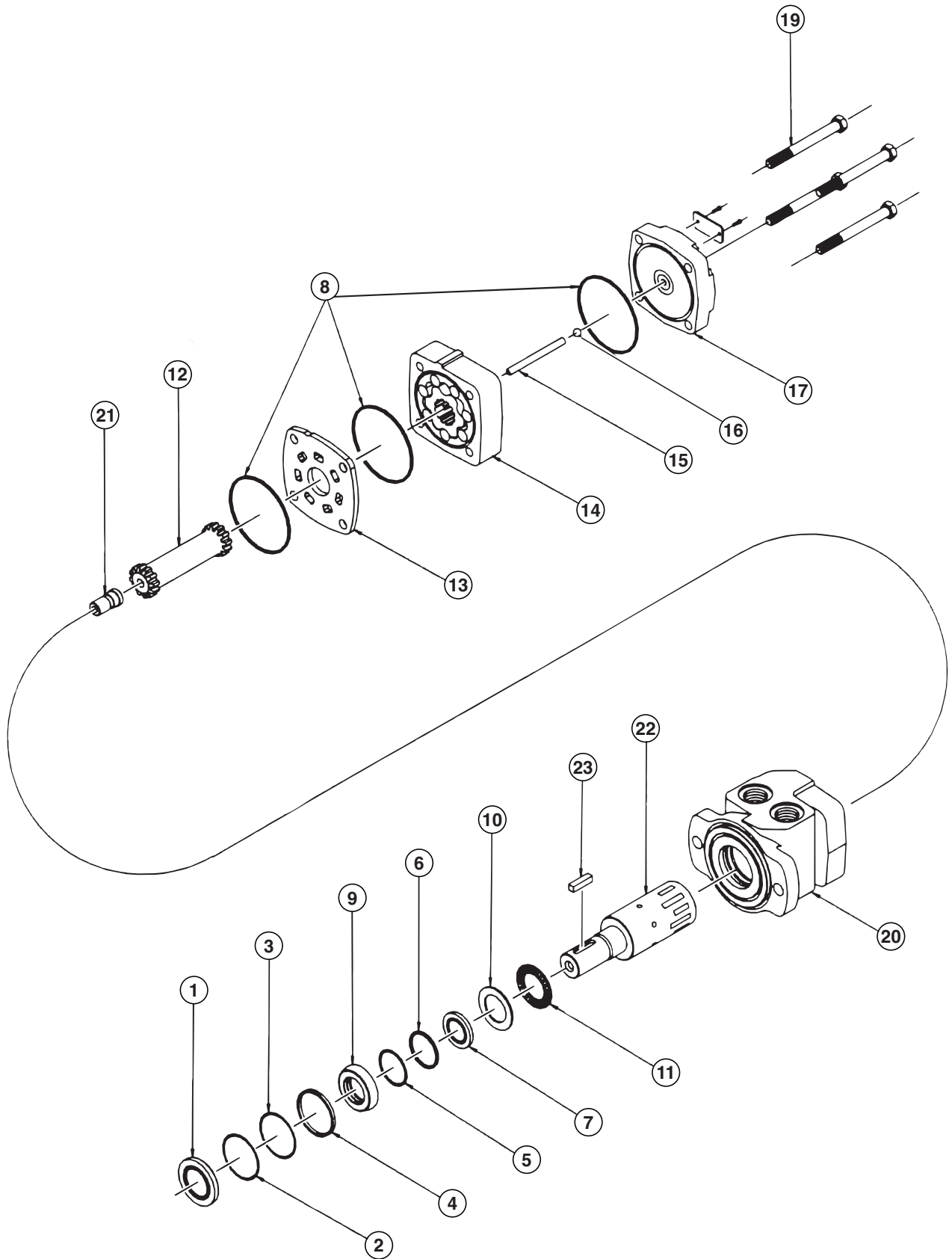
Item	Part Number	Description
1	Seal Kit 05006061	Dust Seal
2		Split Wire Ring
3		Metal Backup Shim
4		High Pressure Seal
5		Metal Backup Shim
6		Teflon Backup Shim
7		Shaft Seal
8		Body Seals (3)
9		Seal Carrier
10		Thrust Washer
11	05006357	Thrust Bearing
12	05006366	Drive Link Kit
13	05006359	Wear Plate
14	05006376	Rotor Kit
15	05006377	Drive Link Pin Kit
16	---	Included in item #15 Drive Link Pin Kit
17	05006360	End Cover
18	---	Serial Number Plate
19	05006378	Bolt Set Kit
20	05006565	Housing Kit, 2-Hole, w/ 7/8" O-Ring
21	05006358	Cooling Plug
22	05006410	Shaft Kit, 1" Straight Speed Sensor
23	05006371	Key Kit, 1" Straight Speed Sensor



## SPEED SENSOR KIT

Item	Qty	Part Number	Description
1	1	05006629	Standard 4-Pin Speed Sensor
2	2	05006561	Sensor Attachment Screws
3	1	05006600	2-Hole Sensor Flange
4	1	05006418	Sensor Magnet for 21 Shaft 50 Pole Pairs
5	1	05006601	2-Hole Sensor Flange Seal

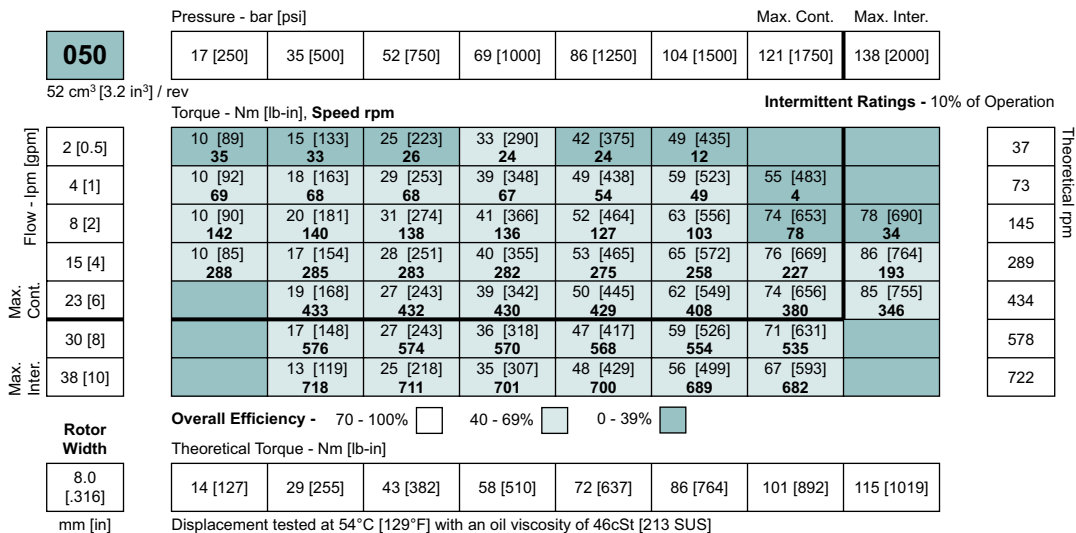
05006673 MOTOR, HYD, WHITE, 3.2CI, 4B, 1" EXT SHAFT, .875" ORB/SEAL SAVER



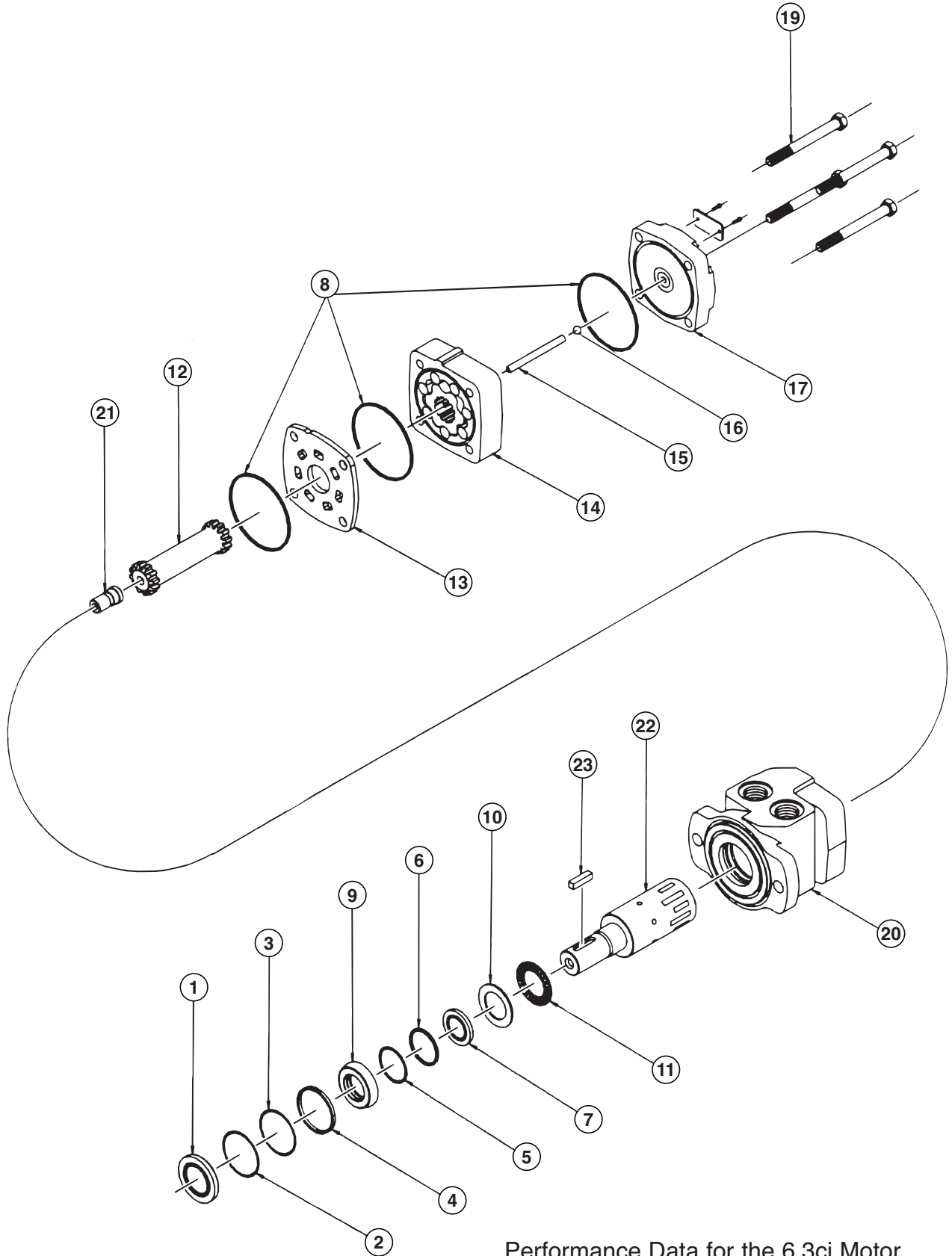
# MOTOR ASSEMBLY PARTS LIST

Item	Part Number	Description
1	Seal Kit 05006679	Dust Seal
2		Split Wire Ring
3		Metal Backup Shim
4		High Pressure Seal
5		Metal Backup Shim
6		Teflon Backup Shim
7		Shaft Seal
8		Body Seals (3)
9		Seal Carrier
10		Thrust Washer
11	---	Thrust Bearing
12	---	Drive Link Kit
13	---	Wear Plate
14	---	Rotor Kit
15	---	Drive Link Pin Kit
16	---	Included in item #15 Drive Link Pin Kit
17	---	End Cover
18	---	Serial Number Plate
19	---	Bolt Set Kit
20	05006564	Housing Kit, 4-Hole, w/ 7/8" O-Ring
21	---	Cooling Plug
22	05006410	Shaft Kit 1" Straight Speed Sensor
23	---	Key Kit, 1" Straight

## DISPLACEMENT PERFORMANCE



05006687 MOTOR, HYD, WHITE, 6.3CI, 4B,  
100PS SENSOR, BH, LOW VOLTAGE, .875 ORB

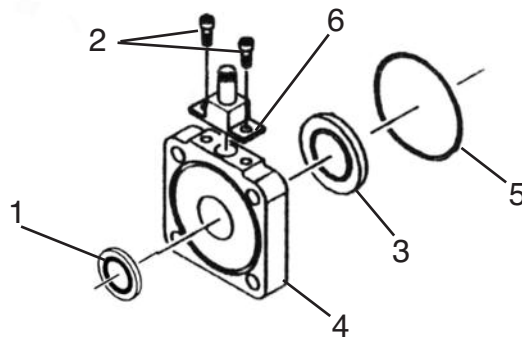


Performance Data for the 6.3ci Motor  
See Page 169



## MOTOR ASSEMBLY PARTS LIST

Item	Part Number	Description
1	Seal Kit 05006679	Dust Seal
2		Split Wire Ring
3		Metal Backup Shim
4		High Pressure Seal
5		Metal Backup Shim
6		Teflon Backup Shim
7		Shaft Seal
8		Body Seals (3)
9		Seal Carrier
10		Thrust Washer
11	05006357	Thrust Bearing
12	05006574	Drive Link Kit
13	05006359	Wear Plate
14	05006573	Rotor Kit
15	05006575	Drive Link Pin Kit
16	---	Included in item #15 Drive Link Pin Kit
17	05006360	End Cover
18	---	Serial Number Plate
19	05006576	Bolt Set Kit
20	05006564	Housing Kit, 4-Hole, w/ 7/8" O-Ring
21	05006358	Cooling Plug
22	05006410	Shaft Kit 1" Straight Speed Sensor
23	---	Key Kit, 1" Straight



## SPEED SENSOR KIT

Item	Qty	Part Number	Description
1	1	05006560	Dust Seal
2	2	05006561	Sensor Attachment Screw
3	1	05006418	Sensor Magnet
4	1	05006559	4-Hole Sensor Flange
5	1	05006601	4-Hole Sensor Flange Seal
6	1	05006629	Speed Sensor ONLY - 100 Pulse



# Service Bulletin

Copyright © 2014, Monroe Truck Equipment

**Subject: Installing grease in White hydraulic motor sensor blocks**

## **Description:**

The sensor motor blocks that are installed between White hydraulic motors and gearboxes have an internal cavity that houses the pulse rotor on the motor shaft. This cavity is isolated from the motor and the gearbox, and the sensor components do not require any lubrication.

During the life of the motor and sensor block assembly, some moisture will work into the cavity and cause corrosion that can damage the sensor. Units disassembled in the field have been found to be severely corroded inside.

White provides a grease fitting on the sensor block to allow installation of grease for corrosion protection. The blocks must be filled with grease during initial installation and checked annually during operation. This Service Bulletin describes the proper method of installing grease in a sensor block.

## **Required Grease**

Sensor blocks must be filled only with dielectric (non-conductive) grease. The use of grease containing electrically-conductive materials (graphite, etc.) will cause errors in the sensor pickup signal to the cab controller.

## **Proper Method of Grease Installation**

The sensor pickup must be removed before grease is pumped into the sensor block. This allows the grease to flow in without pressurizing the sensor cavity. Pumping grease in the fitting without removing the pickup will build pressure in the cavity and may damage the shaft seals or the block isolation O-rings.

## **Frequency of Grease Installation**

The block cavity must be filled during initial assembly and installation of the motor. No more than annually, the pickup should be removed and additional grease pumped into the block to insure it is filled. End users must be informed and reminded that this is not a lubrication point and must not be included in lubrication schedules for bearings and other frequently-lubricated components.

<b>Bulletin #:</b> SB-00306	<b>Release Date:</b> 04/02/14	<b>Revision Date:</b>
-----------------------------	-------------------------------	-----------------------

# MTE Service Bulletin

## Installing Grease in a White Motor Sensor Block



1. Remove the pickup from the sensor block.



2. If installing grease before the motor and sensor are installed on the gearbox, lightly clamp the sensor block to the motor with a C-clamp. This will prevent the grease from pushing the block away from the motor.
3. Attach a grease gun filled with dielectric grease to the grease fitting on the block.



4. Pump grease into the block until it can be seen at the pickup opening. It is not necessary for the block cavity to be completely full of grease.
5. Reinstall the pickup in the block.
6. Install the motor and sensor assembly on the gearbox.



Monroe Truck Equipment, Inc.  
1051 W. 7<sup>th</sup> Street  
Monroe, WI 53566

Bulletin #: SB-00306

Release Date: 04/02/14

Revision Date:

## MONROE TRUCK EQUIPMENT, INC. WARRANTY SNOW & ICE CONTROL PRODUCTS

**Monroe Truck Equipment, Inc.** warrants to the original purchaser, that if any part of the product proves to be defective in workmanship or material within **ONE YEAR** of the original installation, and is returned to us within 30 days of the discovered defect, we will (at our option) repair or replace the defective part. This warranty does not apply to damage resulting from misuse, neglect, accident, improper installation, normal wear items or lack of maintenance. This warranty is exclusive and supersedes all other warranties, whether expressed or implied. **Monroe Truck Equipment, Inc.** neither assumes, nor authorizes anyone to assume for it, any other obligation or liability in connection with this warranty and will not be liable for consequential damages.

All engines, pumps, motors, cylinders and valves are warranted by their manufacturer and not by **Monroe Truck Equipment, Inc.**. The manufacturer's warranty will apply to these parts. Electrical and hydraulic components are not to be disassembled without the express written permission of Monroe Truck Equipment. Use of replacement parts other than original equipment voids this warranty.

All defective parts returned must be accompanied by the model number, serial number, date installed, date of defect, description of defect, and the name of the distributor from whom it was purchased. All warranty claims must have prior written approval from **Monroe Truck Equipment, Inc.**

***Please return the warranty registration card that accompanies this manual to confirm receipt of this parts catalog and acknowledge the information contained within. Failure to return the attached card may result in a voided warranty.***



**1051 West 7<sup>th</sup> Street  
 Monroe, WI 53566  
 608-328-8127 ~ Fax: 608-328-4278**

## Warranty Policy Uninstalled Parts and Equipment Provided by Monroe Truck Equipment

Monroe Truck Equipment will provide the following limited warranty for a period of one year to the original purchaser of all uninstalled goods provided by Monroe Truck Equipment:

**LIMITED WARRANTY:** All goods provided by Monroe Truck Equipment (MTE) will be free from defects in material and workmanship for a period of one year from the date of purchase by the original purchaser. This limited warranty shall be the sole and exclusive remedy for any such product found to be defective. This limited warranty supercedes all previous warranties and is exclusive and in lieu of all other warranties, whether expressed or implied.

This limited warranty applies only to parts or accessories manufactured by MTE and/or provided by same. Except with respect to title, this limited warranty does not pertain to parts or accessories not manufactured and/or provided by MTE, regardless of whether such parts or accessories were selected and/or recommended by MTE. MTE will, as a service to the buyer, pass on any warranties received from the original manufacturer of MTE provided parts and/or accessories.

MTE will not under any circumstances be liable for any incidental or consequential damages whether in tort, contract, or otherwise, for any bodily injury, death, property damage, loss of use, or loss of income resulting from or in any way arising out of any goods provided by MTE, or their sale, use, or manufacture.

Any warranty claim deemed to be arising from the result of misuse, abuse, neglect, accident, improper installation, lack of maintenance, act of war (whether declared or otherwise), or act of God will be denied. Any repair or modification by the buyer or any third party, without the prior written consent of MTE, will void any possible warranty compensation. Any damage deemed to be the result of abnormal operation will not be compensated by this warranty.

Normal or special maintenance items such as fuels, fluids, tires/belts, hoses, filters, air cleaners, light bulbs, and any other items subject to normal wear and tear that are supplied in connection with goods provided by MTE are not allowed under this warranty.

All engines, pumps, cylinders, valves, and motors are warranted by their manufacturer and not by Monroe Truck Equipment. The manufacturer's warranty will apply to these parts. Electrical and hydraulic components are not to be disassembled without the express written consent of MTE. Any disassembly of MTE provided components without prior authorization will void the applicable warranty.

Monroe Truck Equipment shall be the sole and final determining authority as it applies to the administration of this warranty policy. Purchaser acknowledges receipt of Monroe Truck Equipment Warranty Policy and agrees to be bound by same.



**GLOBAL SOLUTIONS**  
 ARMORED VEHICLES ~ SPORT TRUCK CONVERSIONS  
 MUNICIPAL SNOW & ICE CONTROL ~ FIRE APPARATUS  
 PICKUP TRUCK ACCESSORIES ~ TRUCK EQUIPMENT/MODIFICATIONS





**1051 West 7<sup>th</sup> Street  
Monroe, WI 53566  
608-328-8127 ~ Fax: 608-328-4278**

Any and all warranty claims must be forwarded to MTE within 10 days of defect discovery. A copy of the original Monroe Truck Equipment invoice as well as the manufacturer's model number, serial number, and date of installation must accompany all correspondence regarding said claims. MTE will, at their option, choose whether to repair or replace the defective part unless otherwise specified by the original manufacturer of said part.

#### Procedures for Warranty Claims Notification

For submission of any warranty claim please contact Monroe Truck Equipment – Warranty Department at 800-356-8134

The following documentation will be needed when you call for initial warranty authorization:

1. A copy of the original MTE invoice.
2. Make, Model, and VIN or Serial Number of the equipment involved.
3. Part number and serial number of the part in question.
4. A complete description of the problem.

The following must accompany any claims submitted to Monroe Truck Equipment:

1. Documented photographs of any physical damage.
2. Inspection notes by MTE personnel or MTE authorized 3<sup>rd</sup> party.
3. Authorization number issued by Monroe Truck Equipment – Warranty Department.

Defective parts must be returned to Monroe Truck Equipment (freight prepaid) within 30 days of issuance of Authorization Number.

Monroe Truck Equipment reserves the right to void any warranty for failure to comply with Monroe Truck Equipment Warranty Policy.

This policy is effective October 11, 2012

