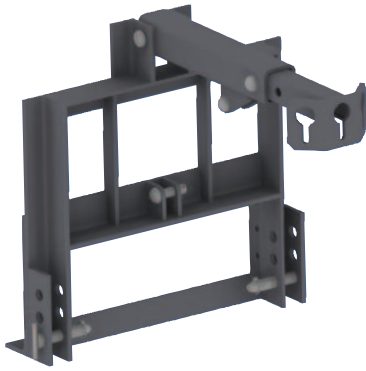


# Pin Type Hitch



**MC5000**

- Low Profile Design
- Available in 21", 30.5" & 33.5" Centers
- Non-Tilt
- Telescopic Lift Arm



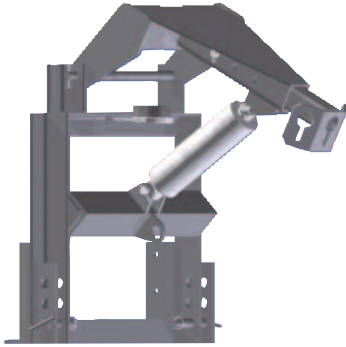
**MC201**

- High Profile Design
- Available in 30.5" & 33.5" Centers
- Tilting with Lever Release for Locking
- Telescopic Lift Arm



**MC8002**

- High Profile Design
- Available in 21", 30.5" & 33.5" Centers
- Tilting
- Telescopic Lift Arm



**00011210 MC5000-FFLA**

- Low Profile Design
- Available in 30.5" Centers
- Non-Tilt
- Telescopic w/Fold Flat Lift Arm



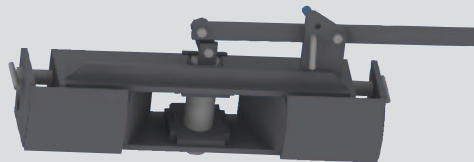
**00031835 26B**

-

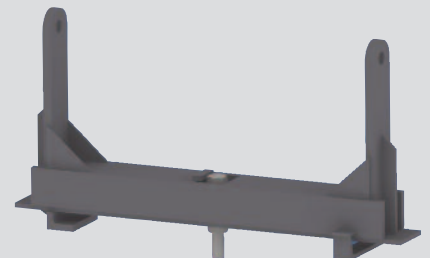
## Plow Portion Hitches



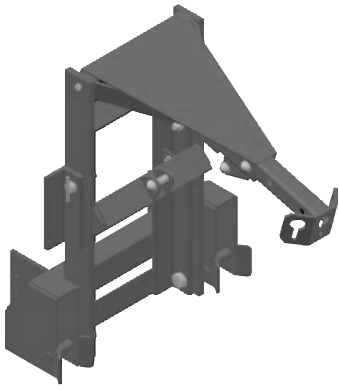
Pin Style Swivel Hitch Also  
Available in 21", 30.5" and 33.5" Center



MC801 Field Conversion Kit to Convert Pin Style  
to Loop Style Hitch



Pin Hitch for 26B Style Hitch



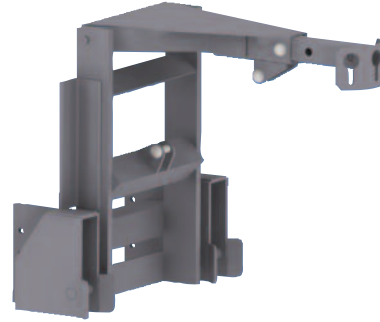
**MC7082**

- High Profile
- Positive 2 point Latch System
- 30.5" Centers
- Manual Tilt
- Telescopic Lift Arm



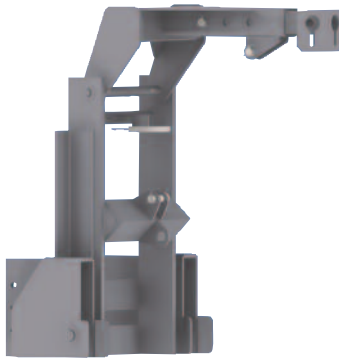
**MC7083**

- High Profile
- Positive 2 point Latch System
- 30.5" Centers
- Non Tilt
- Telescopic Lift Arm



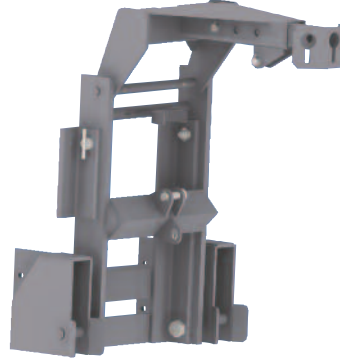
**00015137 MC7000**

- Low Profile
- Positive 2 point Latch System
- 30.5" Centers
- Non Tilt
- Telescopic Lift Arm



**00054392 MC7090**

- Low Profile
- Positive 2 point Latch System
- 30.5" Centers
- Non Tilt
- Telescopic w/Fold Flat Lift Arm

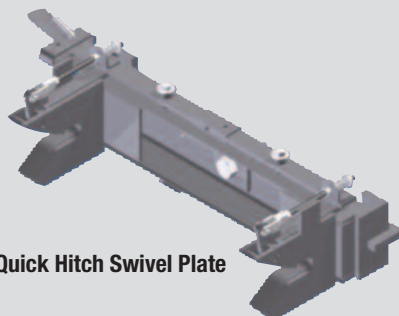


**00102712 MC7092**

- Low Profile
- Positive 2 point Latch System
- 30.5" Centers
- Manual Tilt
- Telescopic Lift Arm



## Plow Portion Hitches



**MC6000 Quick Hitch Swivel Plate**

# Loop Style Hitches



**MC2080 Pin Loop**  
- Low Profile  
- Non Tilt  
- Telescopic w/Fold Flat Lift Arm

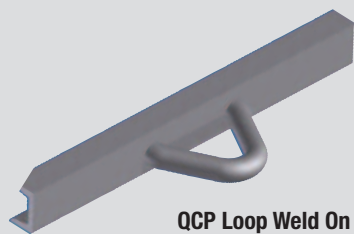


**QCP/FFLA**  
- Low Profile  
- Non Tilt  
- Telescopic w/Fold Flat Lift Arm

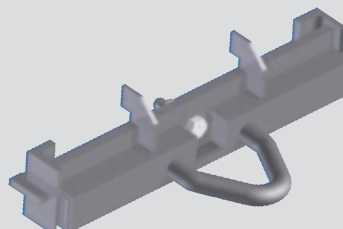


**MC2075**  
- Low Profile  
- Non Tilt  
- Telescopic Lift Arm

## Plow Portion Hitches

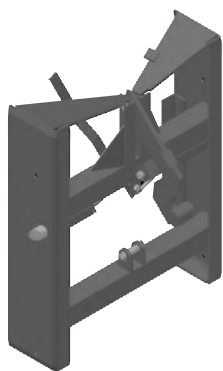


**QCP Loop Weld On Style**



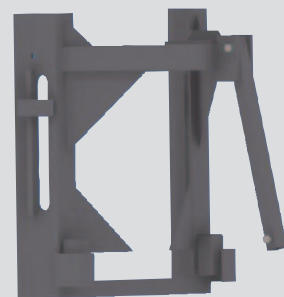
**QCP Loop Bolt On Style  
Swivel Plate**

## Husting Hitches



**Husting Hitch**  
- Available in 29" & 34" Wide

## Plow Portion Hitches

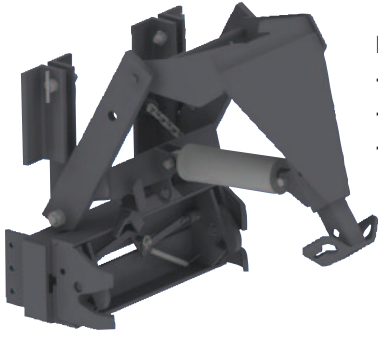


**Husting Hitch Plow Portion**

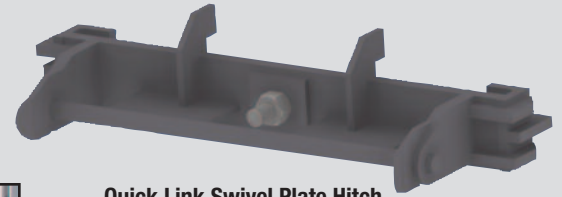
00043300 Roller Kit

# Quick Link Hitches

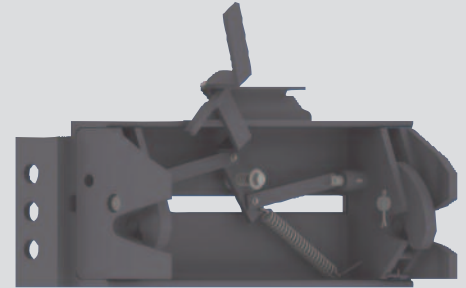
## Plow Portion Hitches



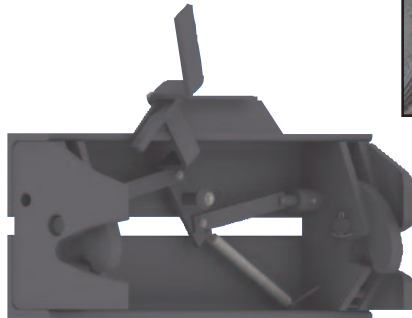
- PF91-QL1/FFLA/Tilt
- Low Profile
  - Tilt
  - Telescopic w/Fold Flat Lift Arm



Quick Link Swivel Plate Hitch



00059247 Field Conversion Kit



- PF91-QL1/FFLA 00052633
- Low Profile
  - Non-Tilt
  - Telescopic w/Fold Flat Lift Arm

# Tor-Lock/Arrowhead Hitches

## Plow Portion Hitches

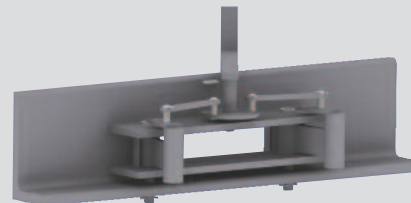


- Tor-Lock or Arrowhead
- Low Profile
  - Non-Tilt
  - Telescopic w/Fold Flat Lift Arm
  - Integral Arrowhead Receiver



NOTE: Available in Weld On Plow Portion without Swivel Plate

Oscillating Plow Portion Tor-Lock/Arrowhead Hitch



MC9001 Field Conversion Kit

