

**GOOD
ROADS
SNOW PLOW**

PARTS CATALOG

**FOR
MODEL 120M**

GOOD ROADS, INC.

537 State Road 28 East • P.O. Box 67
Williamsport, IN 47993
Phone: 800-637-7651 ♦ 765-762-1111
Fax: 765-762-6655



SNOW PLOW

PARTS CATALOG

FOR

MODEL 150M

GOOD ROADS, INC.
P.O. Box 50
Birmingham, AL 35202
Phone 800-577-4222
Fax 205-322-2221

TABLE OF CONTENTS

<u>DESCRIPTION</u>	<u>PAGE</u>
Serial number record	2
Moldboard Assemblies	3
Semi-circle assembly	4
Trunnion, lift chain, lift arm chain assemblies .	5
Spring box assembly	6
PushFrame assembly	7
Snowshield, curb bumper, shoe group assemblies . .	8
Caster assemblies	9,10
Hitches	11-14
Cylinders	15
Power packages	16
Plow trip adjustments	17
Locking power reverse	18-22
Optional power reverse	23-30

BEFORE USING UNIT RECORD
SERIAL NUMBER BELOW



MODEL NUMBER

SERIAL NUMBER

GOOD ROADS, INC.

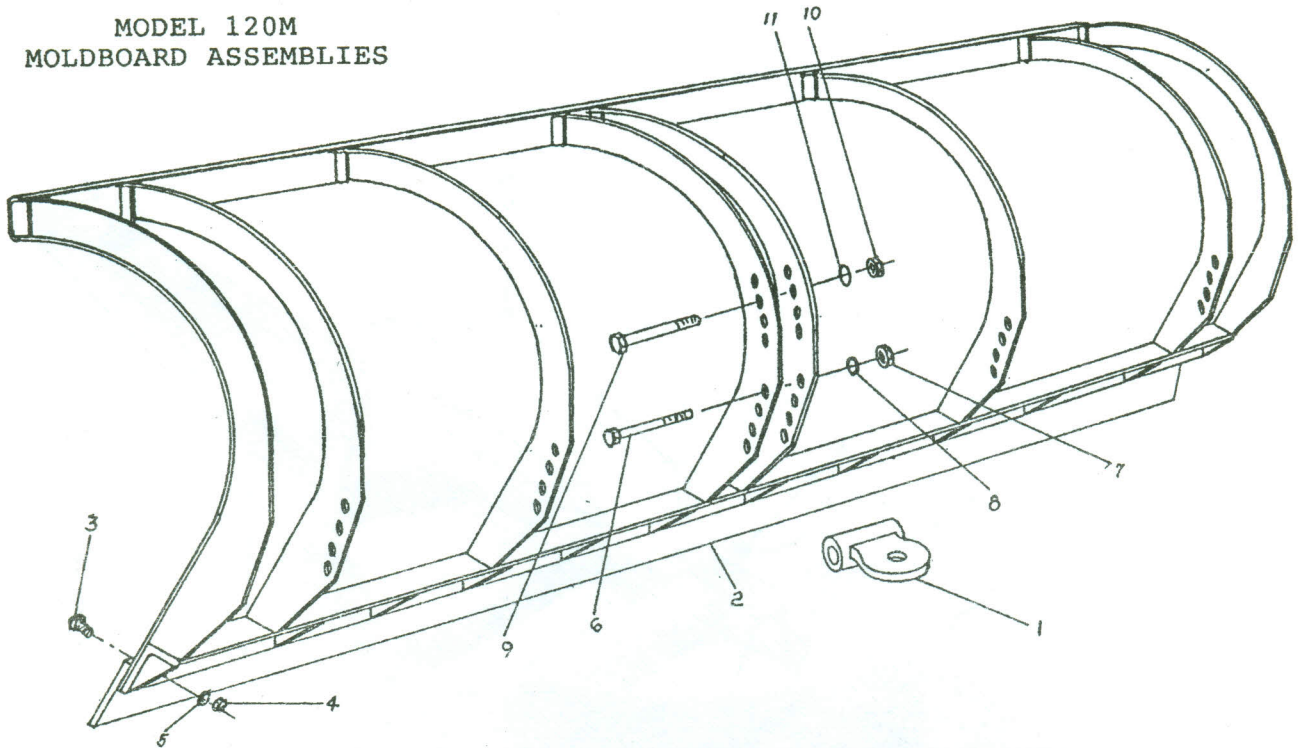
537 State Road 28 East • P.O. Box 67 • Williamsport, IN 47993

Phone: 800-637-7651 ♦ 765-762-1111

Fax: 765-762-6655

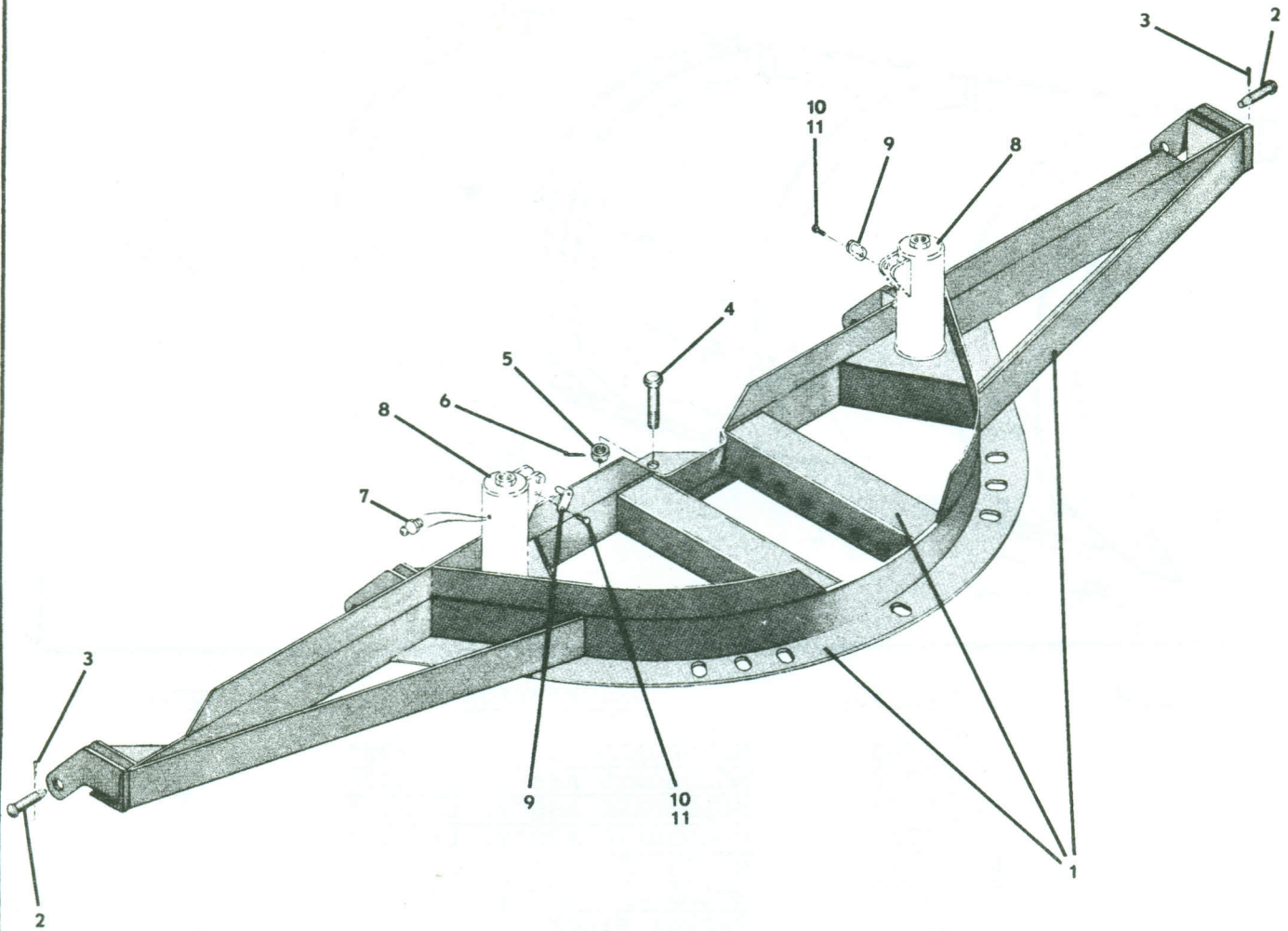
NOTICE • WHEN ORDERING PARTS, USE THE
PART NUMBER GIVEN... IN ADDITION
• GIVE THE ASSEMBLY NUMBER WHEN
APPLICABLE

MODEL 120M
MOLDBOARD ASSEMBLIES



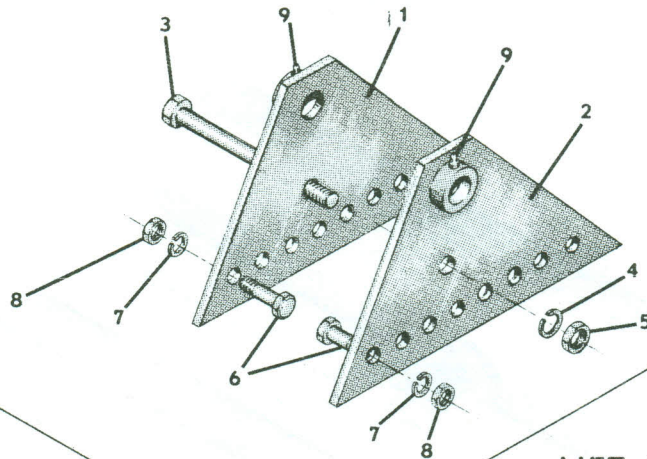
<u>ITEM</u>	<u>PART NUMBER</u>	<u>DESCRIPTION</u>	<u>QTY.</u>
	62105765	MOLDBOARD ASS'Y. 10'x36"	1
	62105770	MOLDBOARD ASS"Y. 10'x42"	1
	62105773	MOLDBOARD ASS"Y. 11'x36"	1
	62105829	MOLDBOARD ASS"Y. 11'x42"	1
	62107039	MOLDBOARD ASS"Y. 12'x36"	1
	62105830	MOLDBOARD ASS"Y. 12'x42"	1
1	62100031	Swivel Block	1
2	62100408	Cutting Edge 10'	1
2	62105287	Cutting Edge 11'	1
2	62101005	Cutting Edge 12'	1
3	90696022	Carriage Bolt 5/8"-11x2"	16
4	95210141	Hex Nut 5/8"-11	16
5	98415055	Lockwasher 5/8"	16
6	90696007	Bolt 3/4"-10x6 1/2"	1
7	95210150	Hex Nut 3/4"-10	1
8	98415060	Lockwasher 3/4"	1
9	90696006	Bolt 7/8"-9x6 1/2"	1
10	95210454	Hex Nut 7/8"-9	1
11	98420011	Lockwasher 7/8"	1

SEMICIRCLE ASSEMBLIES

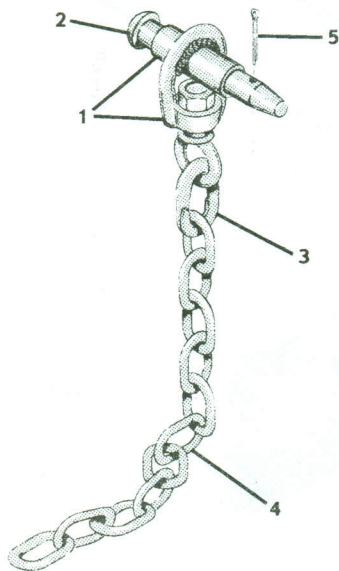


ITEM	PART NO.	DESCRIPTION	QTY.
1	62100625	<u>SEMICIRCLE ASSEMBLY COMPLETE</u> w/Caster Housing	1
1	62100379	<u>SEMICIRCLE ASSEMBLY COMPLETE</u> w/o Caster Housing	1
2	62100121	Rivet Pin	4
3	90831091	Cotter Pin 3/16 x 1-1/4	4
4	62100122	Hex Hd Bolt 7/8-9 x 5	1
5	95210451	Slotted Hex Nut 7/8-9	1
6	90831092	Cotter Pin 3/16 x 1-3/4	1
* 7	92408022	Grease Fitting 1/8 NPT	2
* 8	62100102	Caster Housing Assy	2
* 9	62100112	Retainer Clip	2
* 10	90804038	Hex Hd Bolt 5/16-18 x 1/2	2
* 11	98415035	Lockwasher 5/16	2
* Used In Semicircle Assembly 62100625 Only.			

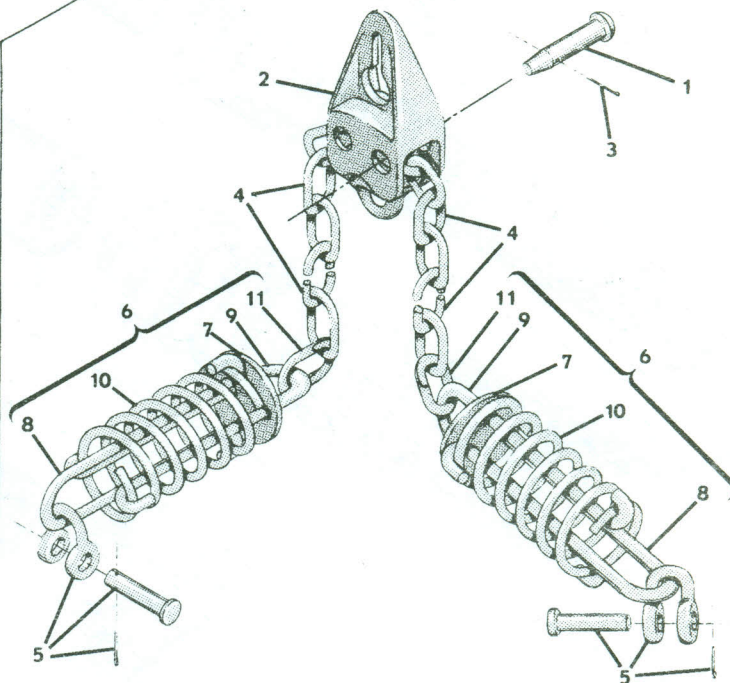
TRUNNION ASSEMBLY



LIFT ARM CHAIN



LIFT CHAIN ASSEMBLY



TRUNNION ASSEMBLY

ITEM	PART NO.	DESCRIPTION	QTY.
	<u>62100199</u>	<u>TRUNNION ASSEMBLY-COMPLETE</u>	1
1	62100201	Boss Assembly-Left	1
2	62100200	Boss Assembly-Right	1
3	90696009	Hex Hd Bolt 5/8-11 x 8-1/2	1
4	98415055	Lockwasher 5/8	1
5	95210141	Hex Nut 5/8-11	1
6	90804417	Hex Hd Bolt 3/4-10 x 2	8
7	98415060	Lockwasher 3/4	8
8	95210150	Hex Nut 3/4-10	8
9	92408022	Grease Fitting 1/8 NPT	2

LIFT ARM CHAIN

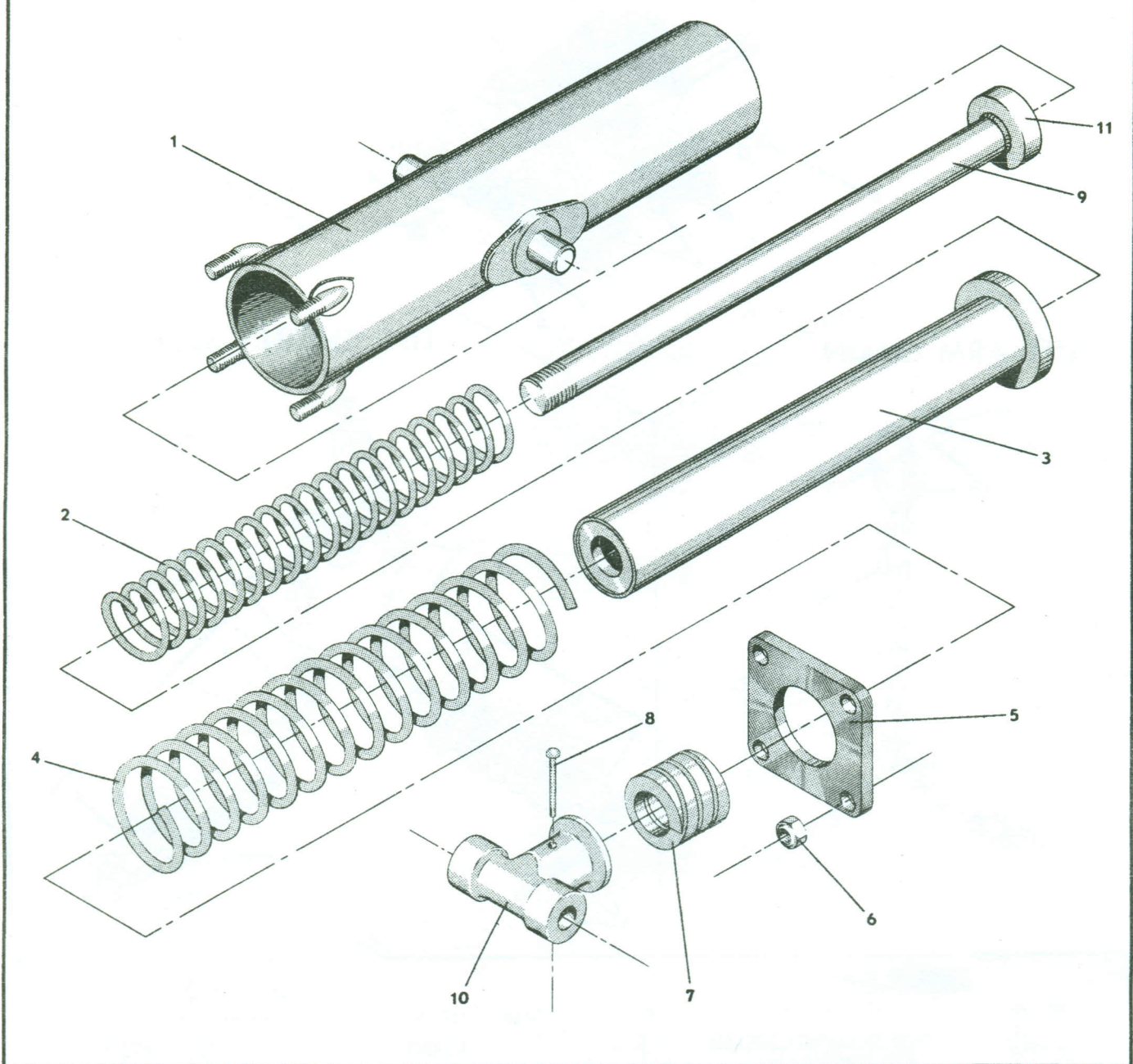
ITEM	PART NO.	DESCRIPTION	QTY.
	<u>62100241</u>	<u>LIFT ARM CHAIN-COMPLETE</u>	1
1	62100242	Pipe Weldment	1
2	62100240	Rivet Pin	1
3	97135010	Missing Link 3/8	1
4	99802030	Chain 18	1
5	90831086	Cotter Pin 1/4 x 1-1/2	1

LIFT CHAIN ASSEMBLY

ITEM	PART NO.	DESCRIPTION	QTY.
	<u>62100209</u>	<u>LIFT CHAIN ASSEMBLY-COMPLETE</u> (Standard-w/o Springs)	1
	<u>62100140</u>	<u>LIFT CHAIN ASSEMBLY-COMPLETE</u> (Optional-w/ Springs)	1
1	62100121	Rivet	1
2	99500455	Chain Block	1
3	90831081	Cotter Pin 3/16 x 1-1/2	1
4	99802030	Chain (Spec. Length)	1
5	97228503	Shackle-Complete	1
* 6	62100144	<u>Lift Spring Assembly</u>	2
7	62100161	Washer	1
8	62100207	Lift Spring Hook	1
9	62100208	Lift Spring Hook	1
10	62100162	Lift Spring	1
11	97135010	Missing Link	1

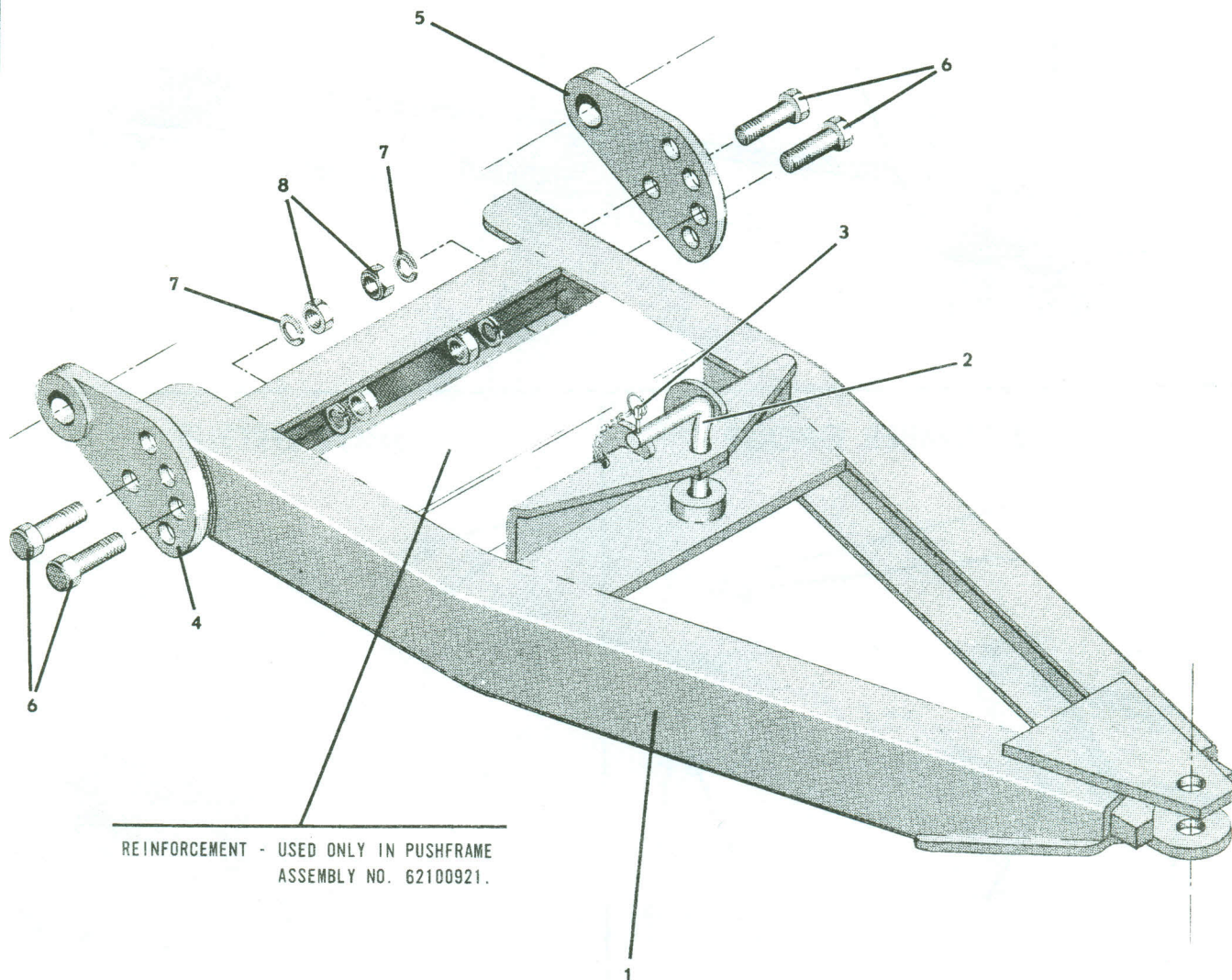
* Used Only In Lift Chain Assembly 62100140.

SPRING BOX ASSEMBLY 62100239



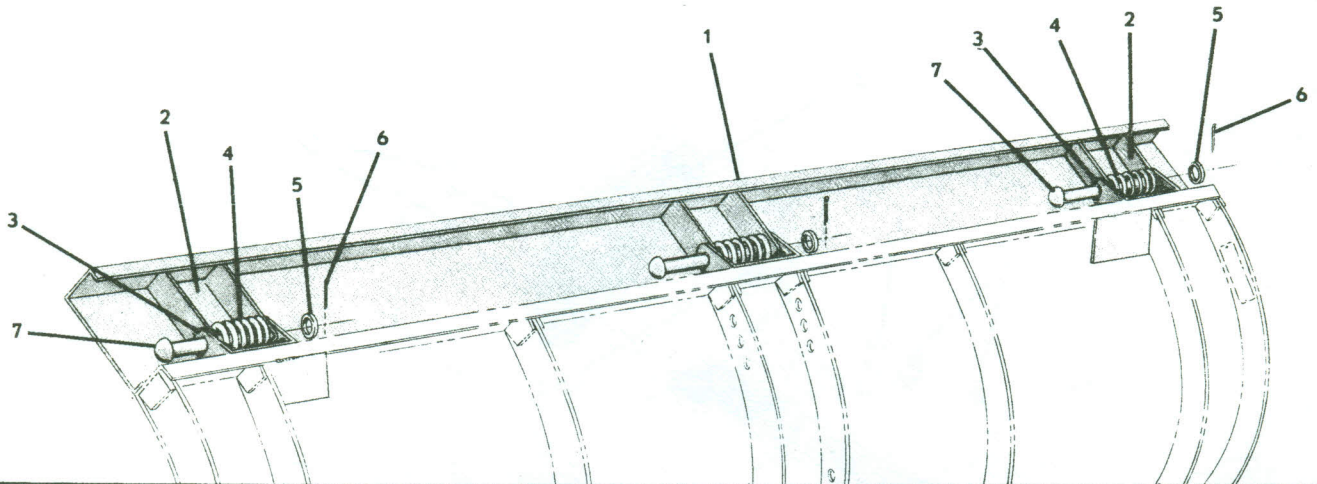
ITEM	PART NO.	DESCRIPTION	QTY.
1	62100145	Outside Tube Assembly	1
2	62100132	Inside Spring	1
3	62100204	Inside Tube Assembly	1
4	62100131	Outside Spring	1
5	62100129	Cover Plate	1
6	95210215	Hex Nut (Locking) 5/8-18 NF	4
7	62100133	Recoil Spring	1
8	97192006	B.H. Rivet Pin	1
	62100135	<u>Tension Rod Assembly</u>	<u>1</u>
9	62100136	Tension Rod	1
10	62100138	Plow Coupling	1
11	62100137	Rear Rod Guide	1

PUSHFRAME ASSEMBLIES

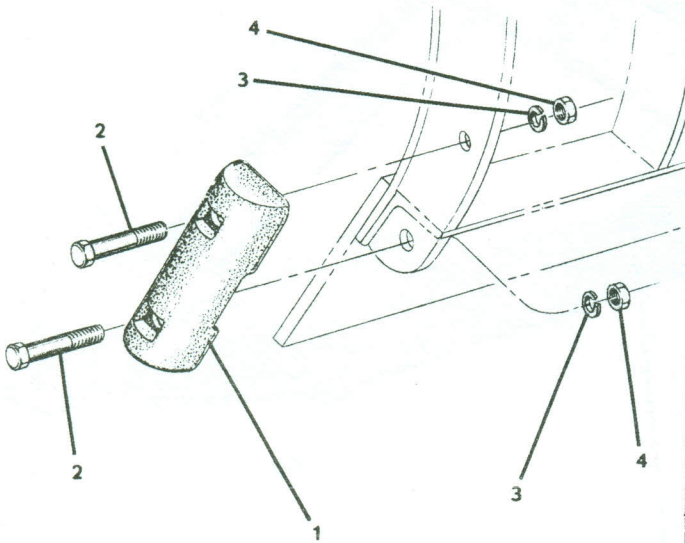


ITEM	PART NO.	DESCRIPTION	QTY.
1	62100247	PUSHFRAME ASSEMBLY - 3'- 2"	1
1	62101181	PUSHFRAME ASSEMBLY - 3'- 6"	1
1	62100921	PUSHFRAME ASSEMBLY - 4'- 0"	1
2	62100163	Lock Pin	1
3	95620003	Klik Pin	1
4	62100248	Hinge Assembly (Left)	1
5	62100249	Hinge Assembly (Right)	1
6	90804443	Hex Hd Bolt 1-8 x 2-1/2	4
7	98415065	Lockwasher 1	4
8	95210159	Hex Nut 1-8	4

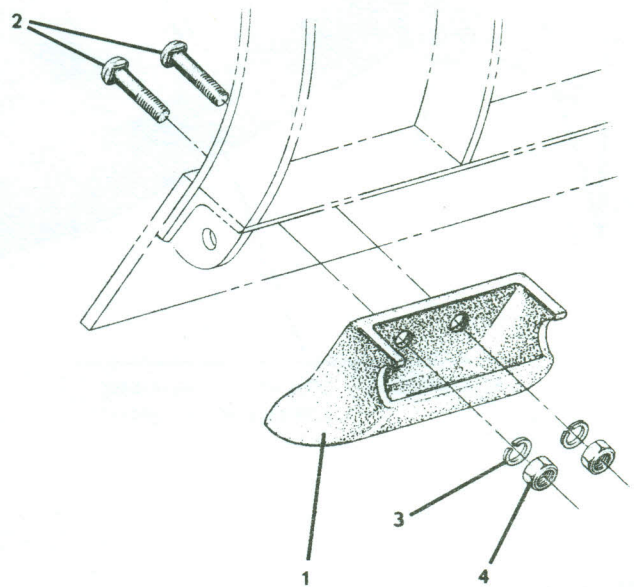
SNOWSHIELD ASSEMBLY



CURB BUMPER GROUP



SHOE GROUP



SNOWSHIELD ASSEMBLY

ITEM	PART NO.	DESCRIPTION	QTY.
	62100589	SNOWSHIELD ASSEMBLY-COMPLETE (8'-0")	1
	62100809	SNOWSHIELD ASSEMBLY-COMPLETE (9'0")	1
	62100579	SNOWSHIELD ASSEMBLY-COMPLETE (10'-0")	1
	62100082	Hinge Assembly-Complete	3
1	62100084	Hinge (Male)	1
2	62100083	Hinge (Female)	1
3	97252069	Spring	1
4	98421130	Washer 1/2 Std.	1
5	90831091	Cotter Pin 3/16 x 1-1/4	1
6	62100345	B.H. Rivet	1

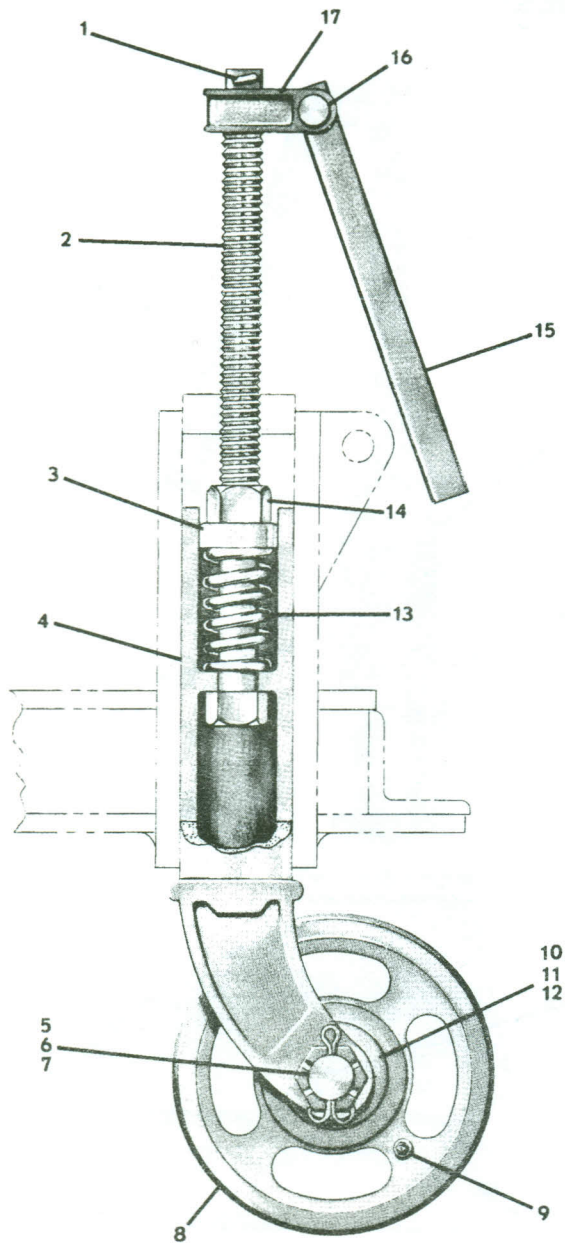
CURB BUMPER GROUP

ITEM	PART NO.	DESCRIPTION	QTY.
	62100602	CURB BUMPER GROUP-COMPLETE	1
1	99500845	Curb Bumper	2
2	90804366	Hex Hd Bolt 5/8-11 x 2	4
3	98415055	Lockwasher 5/8	4
4	95210141	Hex Nut 5/8-11	4

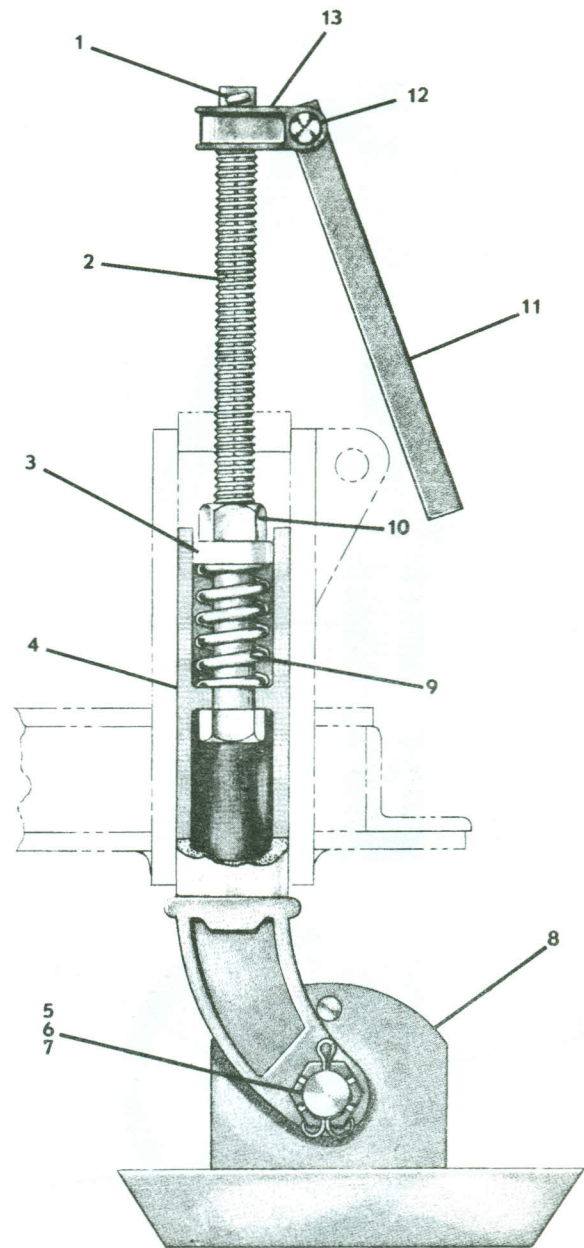
SHOE GROUP

ITEM	PART NO.	DESCRIPTION	QTY.
	62100352	SHOE GROUP-COMPLETE	1
1	99503075	Shoe	2
2	90696026	Carriage Bolt 5/8-11 x 2-1/2	4
3	98415055	Lockwasher 5/8	4
4	95210141	Hex Nut 5/8-11	4

CASTER ASSEMBLY (STEEL WHEEL)



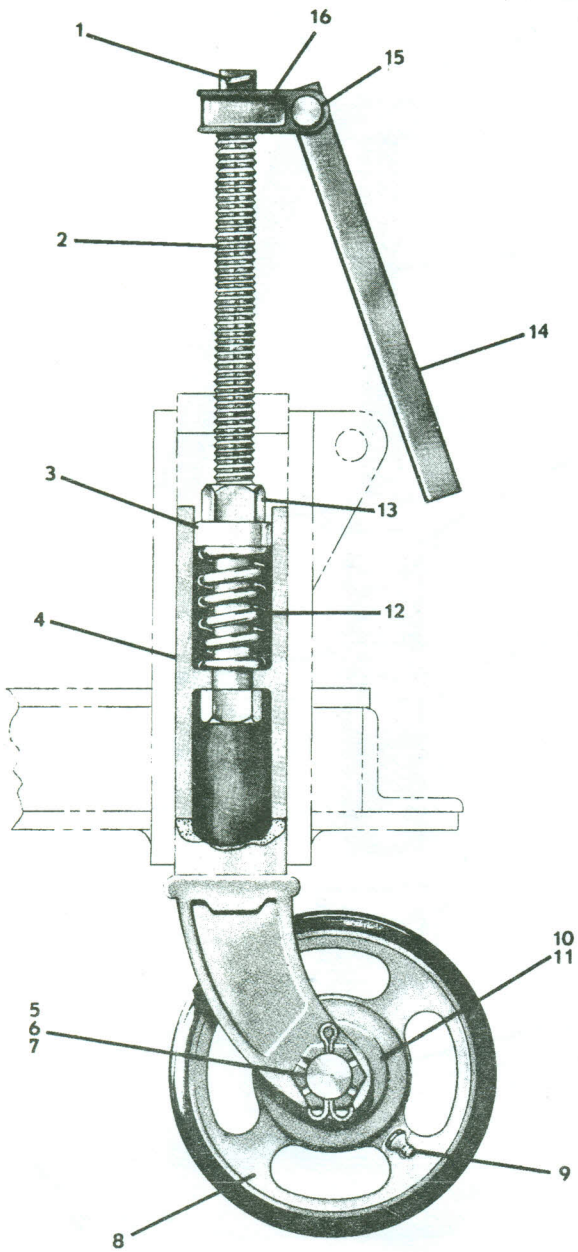
CASTER ASSEMBLY (STEEL SHOE)



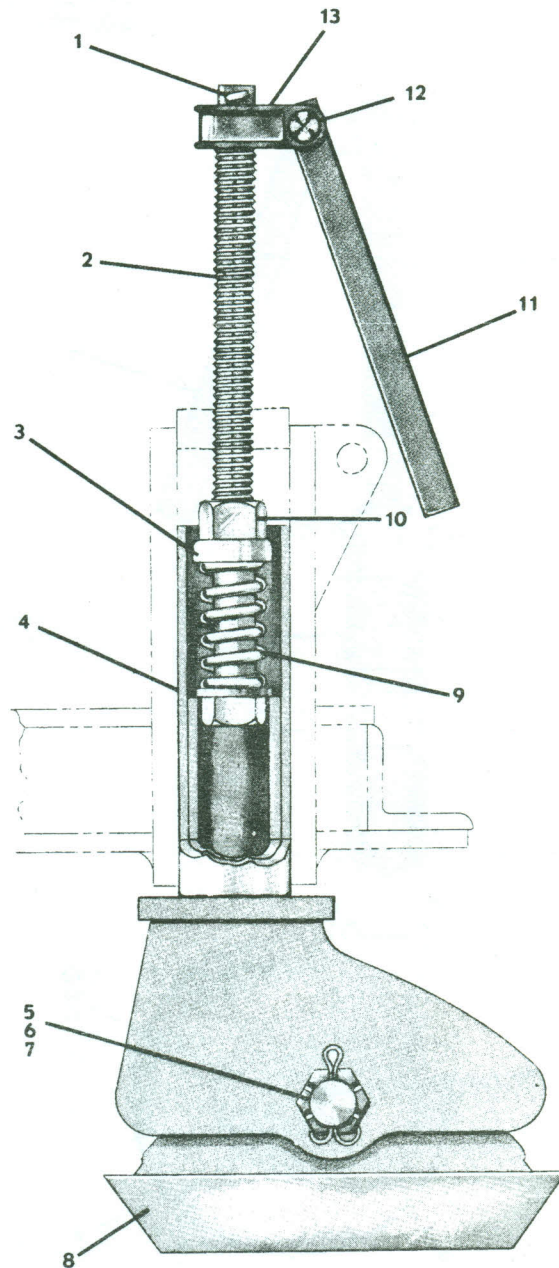
ITEM	PART NO.	DESCRIPTION	QTY.
	62100124	CASTER ASSEMBLY-COMplete	2
1	90831090	Cotter Pin 1/4 x 1-1/4	1
2	62100159	Adjusting Bolt	1
3	90690075	Bearing	1
4	62100157	Caster Stem	1
5	62100153	Shaft Assembly	1
6	95210509	Slotted Nut 1-1/8-12	1
7	90831083	Cotter Pin 3/16 x 2-1/2	1
	62100127	Wheel Assembly-Complete	1
8	62100128	Wheel	1
9	92408022	Grease Fitting 1/8 NPT	1
10	90690073	Bearing Cone	2
11	90690071	Bearing Cup	2
12	97210022	Grease Seal	2
13	62100156	Spring	1
14	95210489	Locking Nut	1
	62100149	Handle Assembly-Complete	1
15	62100151	Handle	1
16	97192046	Rivet Pin B.H.	1
17	99503126	Fork	1

ITEM	PART NO.	DESCRIPTION	QTY.
	62100386	CASTER ASSEMBLY-COMplete	2
1	90831090	Cotter Pin 1/4 x 1-1/4	1
2	62100159	Adjusting Bolt	1
3	90690075	Bearing	1
4	62100157	Caster Stem	1
5	62100153	Shaft Assembly	1
6	95210509	Slotted Nut 1-1/8-12	1
7	90831083	Cotter Pin 3/16 x 2-1/2	1
8	62100387	Caster Shoe Assembly	1
9	62100156	Spring	1
10	95210489	Locking Nut	1
	62100149	Handle Assembly-Complete	1
11	62100151	Handle	1
12	97192046	Rivet Pin B.H.	1
13	99503126	Fork	1

CASTER ASSEMBLY (RUBBER TIRE)



CASTER ASSEMBLY (FLOAT SHOE)

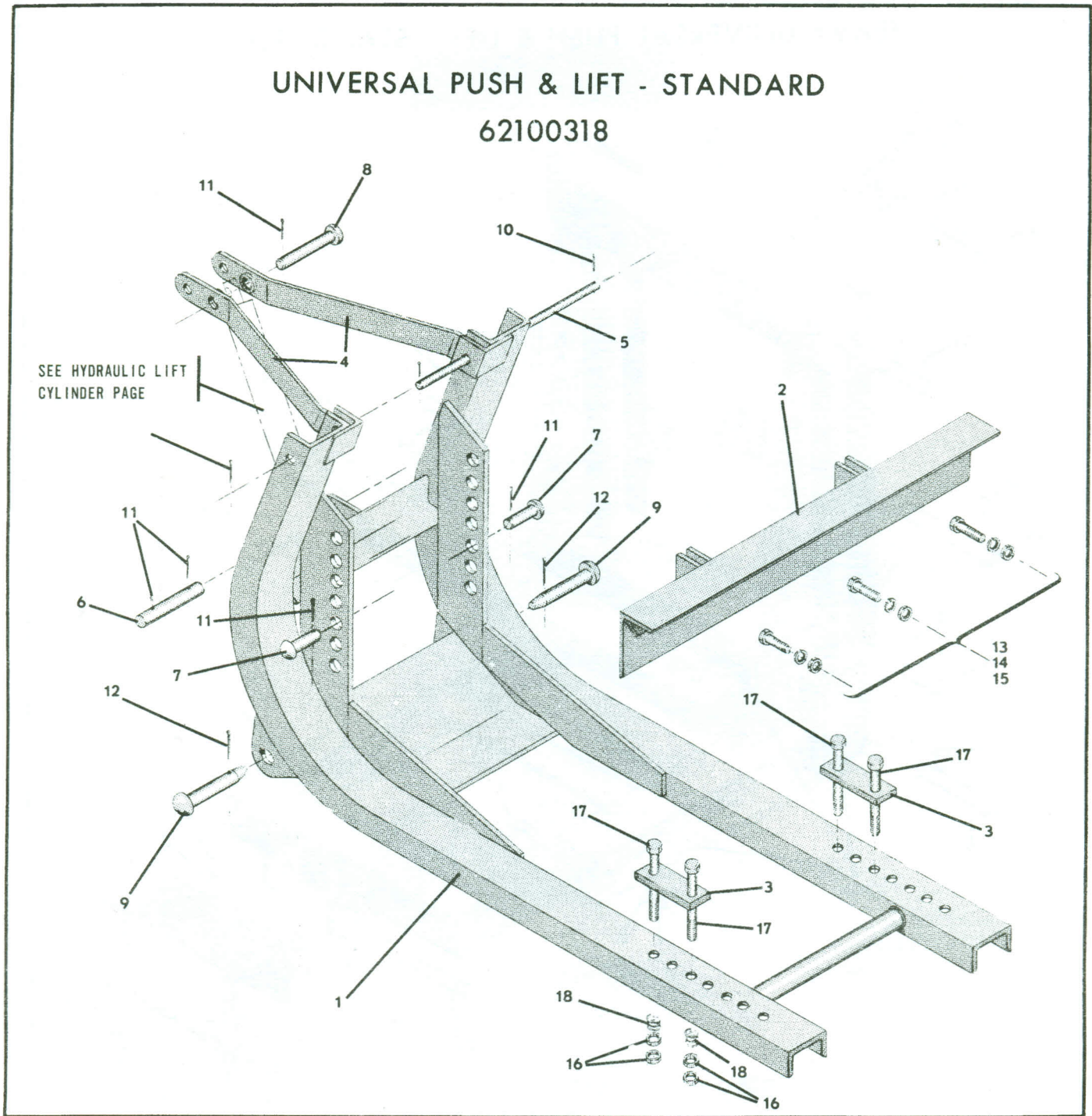


ITEM	PART NO.	DESCRIPTION	QTY.
	62100125	CASTER ASSEMBLY-COMPLETE	2
1	90831090	Cotter Pin 1/4 x 1-1/4	1
2	62100159	Adjusting Bolt	1
3	90690075	Bearing	1
4	62100880	Caster Stem	1
5	62100153	Shaft Assembly	1
6	95210509	Slotted Nut 1-1/8-12	1
7	90831083	Cotter Pin 3/16 x 2-1/2	1
	62100876	Wheel Assembly-Complete	1
8	62100877	Wheel (Rubber Tire)	1
9	92408046	Grease Fitting	1
	62100878	Bearing & Race	1
11	62100879	Bearing Retainer	2
12	62100156	Spring	1
13	95210489	Locking Nut	1
	62100149	Handle Assembly-Complete	1
14	62100151	Handle	1
15	97192046	Rivet B.H.	1
16	99503126	Fork	1

ITEM	PART NO.	DESCRIPTION	QTY.
	62100882	CASTER ASSEMBLY-COMPLETE	2
1	90831090	Cotter Pin 1/4 x 1-1/4	1
2	62100420	Adjusting Bolt	1
3	90690075	Bearing	1
4	62100883	Caster Stem	1
5	62100890	Shaft Assembly	1
6	95210513	Slotted Nut	1
7	90831095	Cotter Pin 1/4 x 1-3/4	1
8	62100888	Caster Shoe Assembly	1
9	62100156	Spring	1
10	95210489	Locking Nut	1
	62100149	Handle Assembly-Complete	1
11	62100151	Handle	1
12	97192046	Rivet B.H.	1
13	99503126	Fork	1

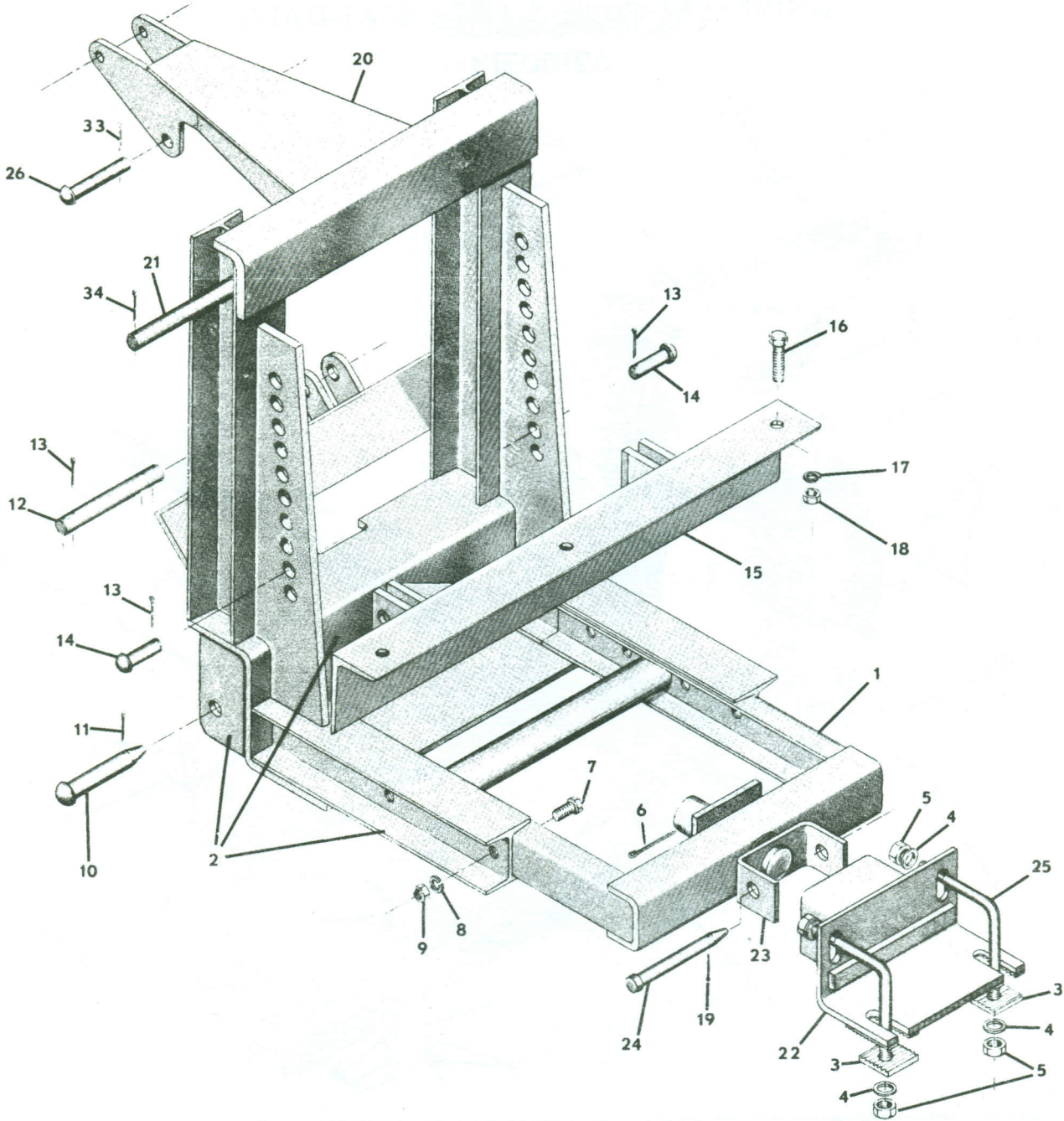
UNIVERSAL PUSH & LIFT - STANDARD

62100318



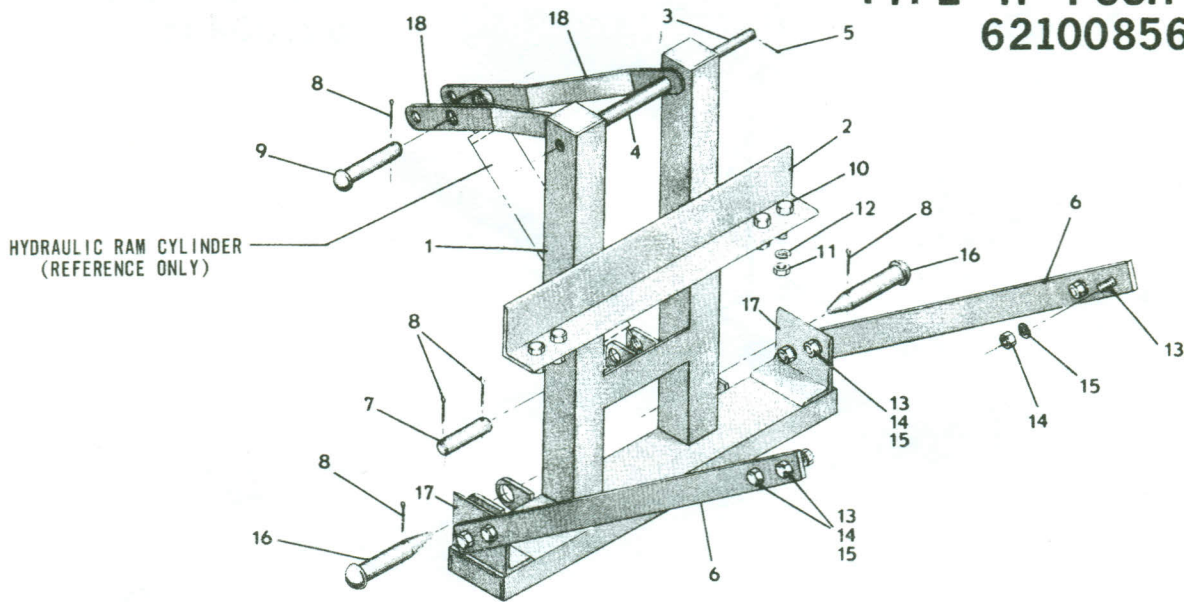
ITEM	PART NO.	DESCRIPTION	QTY.	ITEM	PART NO.	DESCRIPTION	QTY.
1	62100319	Frame Welding Assembly	1	10	90831082	Cotter Pin 3/16 x 2	2
2	62100329	Mtg Angle Weld Assembly	1	11	90831099	Cotter Pin 1/4 x 2	5
3	62100330	Plate	2	12	90831020	Cotter Pin 1/4 x 2-1/2	2
4	62100331	Lift Arm Assembly	2	13	90804365	Hex Hd Bolt 5/8-18 x 2	3
5	62100338	Pin	1	14	98415055	Lockwasher 5/8	3
6	62100218	Short Pin	1	15	95210140	Hex Nut 5/8-18	3
7	62100214	Rivet	2	16	95210399	Jam Nut	8
8	62100222	Rivet Pin	1	17	90804371	Hex Hd Bolt 5/8-18 x 8	4
9	62100216	Rivet Pin	2	18	62100339	Spring	4

HEAVY UNIVERSAL PUSH & LIFT - STANDARD



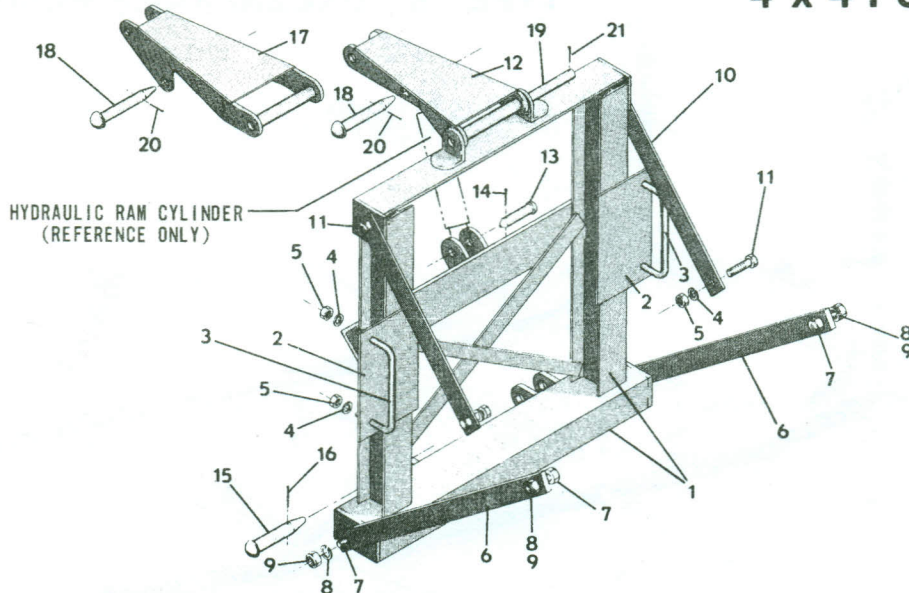
ITEM	PART NO.	DESCRIPTION	QTY.	ITEM	PART NO.	DESCRIPTION	QTY.
	<u>62100255</u>	<u>PUSH & LIFT ASSEMBLY-COMLETE</u> (W/28½" Rear Cross Channel Assy)	<u>1</u>	11	90831095	Cotter Pin 1/4 x 1-3/4	2
	<u>62101548</u>	<u>PUSH & LIFT ASSEMBLY-COMLETE</u> (W/40½" Rear Cross Channel Assy)	<u>1</u>	12	62100218	Short Pin	1
	<u>62101549</u>	<u>PUSH & LIFT ASSEMBLY-COMLETE</u> (W/52½" Rear Cross Channel Assy)	<u>1</u>	13	90831099	Cotter Pin 1/4 x 2	4
1	62100256	Rear Cross Channel Assy-28½"	1	14	62100214	B.H. Rivet Pin	2
1	62100926	Rear Cross Channel Assy-40½"	1	15	62101546	Bumper Angle Assy	1
1	62101479	Rear Cross Channel Assy-52½"	1	16	90804366	Hex Hd Bolt 5/8-11 x 2	3
2	62100263	Push & Lift Assy	1	17	98415055	Lockwasher 5/8	3
3	62100276	Bolt Block	2	18	95210141	Hex Nut 5/8-11	3
4	98421120	Flat Washer 3/4 Std.	4	19	90831092	Cotter Pin 3/16 x 1-3/4	1
5	95210240	Hex Nut(Locking) 3/4-10	4	20	62100281	Lift Arm Assy	1
6	90831101	Cotter Pin 1/4 x 3	1	21	62100286	Hinge Pin	1
7	90804405	Hex Hd Bolt 3/4-10 x 1-3/4	4	22	62100295	Axle Hitch Assy	1
8	98415060	Lockwasher 3/4	4	23	62100292	Yoke Assy	1
9	95210150	Hex Nut 3/4-10	4	24	62100289	Clamp Pin Assy	1
10	62100216	B.H. Rivet Pin	2	25	62100288	Angle Bolt	2
				26	62100222	B.H. Rivet Pin	1
				27	90831086	Cotter Pin 1/4 x 1-1/2	1
				28	90831082	Cotter Pin 3/16 x 2	2

TYPE "H" PUSH & LIFT 62100856



ITEM	PART NO.	DESCRIPTION	QTY.	ITEM	PART NO.	DESCRIPTION	QTY.
1	62100857	Universal Frame	1	10	90804365	Hex Hd Bolt 5/8-18 x 2	4
2	62100868	Mtg. Angle	1	11	95210140	Hex Nut 5/8-18	4
3	62100869	Rod	1	12	98415055	Lockwasher 5/8	4
4	62100870	Spacer	1	13	90804425	Hex Hd Bolt 3/4-16 x 2-3/4	8
5	90831081	Cotter Pin 3/16 x 1-1/2	2	14	95210360	Hex Nut 3/4-16	8
6	62100871	Universal Brace	2	15	98415060	Lockwasher 3/4	8
7	62100448	Rivet Pin	1	16	62100216	Rivet Pin	2
8	90831099	Cotter Pin 1/4 x 2	1	17	62100873	Angle	2
9	62100872	Rivet Pin	1	18	62100875	Lift Arm	2

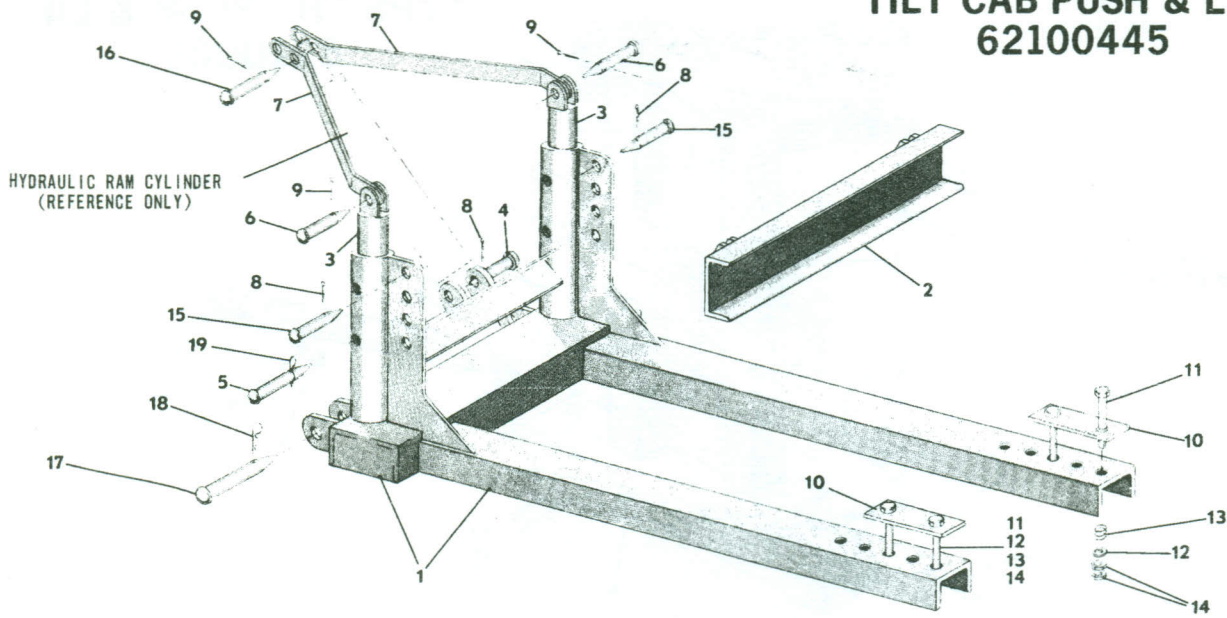
4 x 4 PUSH & LIFT



ITEM	PART NO.	DESCRIPTION	QTY.	ITEM	PART NO.	DESCRIPTION	QTY.
	<u>62100727</u>	<u>PUSH & LIFT ASSEMBLY- COMPLETE</u> Used w/Hydraulic Lift Cylinder	<u>1</u>	9	95210159	Hex Nut 1-8	4
	<u>62100664</u>	<u>PUSH & LIFT ASSEMBLY- COMPLETE</u> Used w/Air Lift Cylinder	<u>1</u>	10	62100679	Brace (Top)	2
1	62100665	Frame Assy	1	11	90804410	Hex Hd Bolt 3/4-10 x 2-1/4	4
2	62100676	Mtg. Plate	2	12	62100219	Lift Arm Assy	1
3	62100677	Bumper Clamp	2	13	62100680	Rivet Pin	1
4	98415060	Lockwasher 3/4 Std.	8	14	90831099	Cotter Pin 1/4 x 2	1
5	95210150	Hex Nut 3/4-10	8	15	62100216	Rivet Pin	2
6	62100678	Brace (Bottom)	2	16	90831078	Cotter Pin 3/16 x 2-1/4	2
7	90804431	Hex Hd Bolt 1-8 x 3	4	* 17	62100281	Lift Arm Assy	1
8	98415065	Lockwasher 1 Std.	4	18	62100222	Rivet Pin	1
				19	62100286	Hinge Pin	1
				20	90831086	Cotter Pin 1/4 x 1-1/2	1
				21	90831082	Cotter Pin 3/16 x 2	2

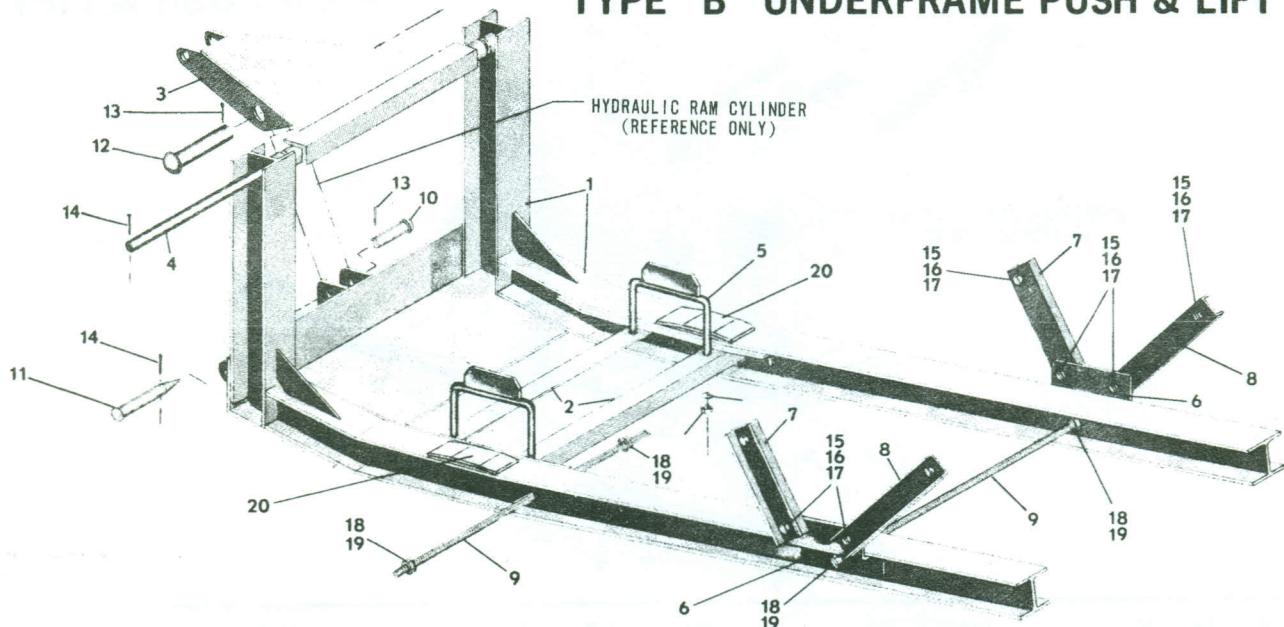
* Used In Push & Lift Assembly 62100664 Only.

TILT CAB PUSH & LIFT 62100445



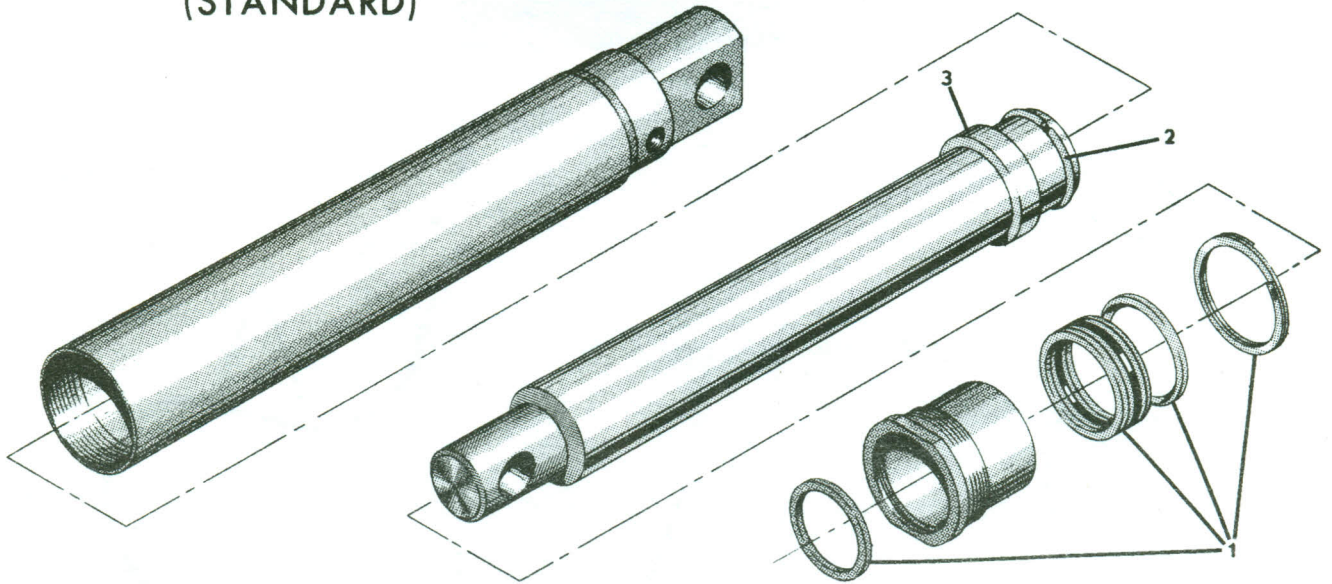
ITEM	PART NO.	DESCRIPTION	QTY.	ITEM	PART NO.	DESCRIPTION	QTY.
1	62100456	Frame Assy	1	11	90804371	Hex Hd Bolt 5/8-18 x 8	4
2	62100468	Channel	1	12	98421125	Flat Washer(Std.) 5/8	4
3	62100451	Upper Pipe Assy	2	13	62100339	Spring	4
4	62100448	Rivet Pin	2	14	95210399	Jam Nut	8
5	62100449	Rivet Pin	2	15	62100214	Rivet	2
6	62100450	Rivet Pin	2	16	62100222	Rivet Pin	1
7	62100455	Lift Arm Assy	2	17	62100216	Rivet Pin	2
8	90831099	Cotter Pin 1/4 x 2	6	18	95620008	Cotter Pin (Hair Pin)	2
9	90831082	Cotter Pin 3/16 x 2	4	19	95620007	Cotter Pin (Hair Pin)	4
10	62100330	Plate	2				

TYPE "B" UNDERFRAME PUSH & LIFT



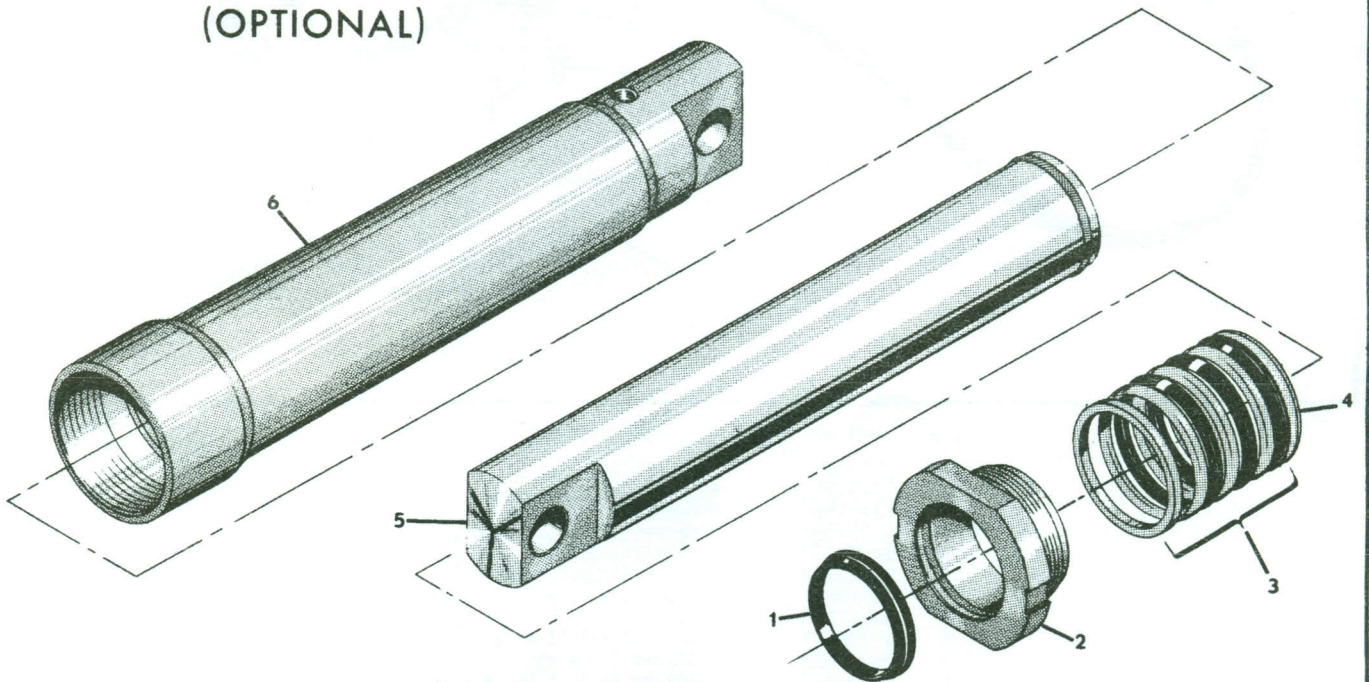
ITEM	PART NO.	DESCRIPTION	QTY.	ITEM	PART NO.	DESCRIPTION	QTY.
	62100924	PUSH & LIFT ASSEMBLY-COMLETE (Type B - Light)	1	8	62101190	Side Member Brace	2
*	62101635	PUSH & LIFT ASSEMBLY-COMLETE (Type B - Heavy)	1	9	97194003	Rod(Full Thd) 1-1/4 - 7 x 36	2
1	62101202	Frame Assembly	1	10	62101006	Rivet Pin	1
* 1	62101638	Frame Assembly	1	11	62101185	Rivet Pin	2
2	62101193	Support Angle	2	12	62100222	Rivet Pin	1
3	62101197	Lift Arm Assy	1	13	90831086	Cotter Pin 1/4 x 1-1/2	2
4	62101192	Lift Arm Rod	1	14	90831095	Cotter Pin 1/4 x 1-3/4	4
5	62101194	U Bolt Assy	2	15	90804405	Hex Hd Bolt 3/4-10 x 1-3/4	8
6	62101191	Side Member Plate	2	16	95210150	Hex Nut 3/4-10	12
7	62101189	Side Member Brace	2	17	98415060	Lockwasher 3/4	12
				18	98421022	Lockwasher 1-1/4	4
				19	95210508	Hex Nut 1-1/4 - 7	8
				20	62100927	Axle Bridge	2

HYDRAULIC RAM CYLINDER - 2" (STANDARD)



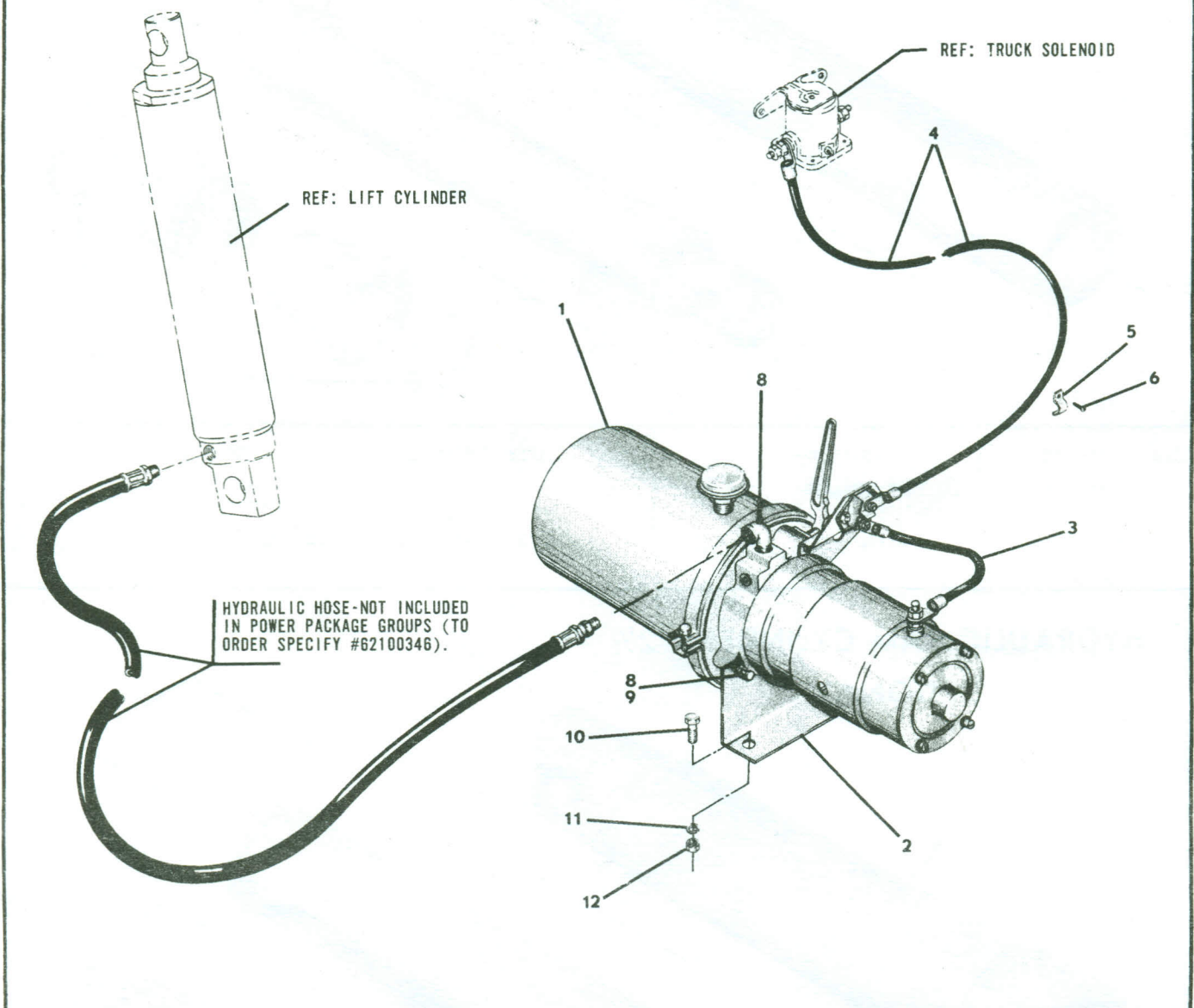
ITEM	PART NO.	DESCRIPTION	QTY	ITEM	PART NO.	DESCRIPTION	QTY.
1	62100344	CYLINDER-COMLETE	1	2	62101767	Adapter	1
	62101765	Service Kit	1			Retaining Ring	1
		Wiper	1			Ring	1
		Packing Set	1	3	62101768	Bearing	1

HYDRAULIC RAM CYLINDER - 2½" (OPTIONAL)



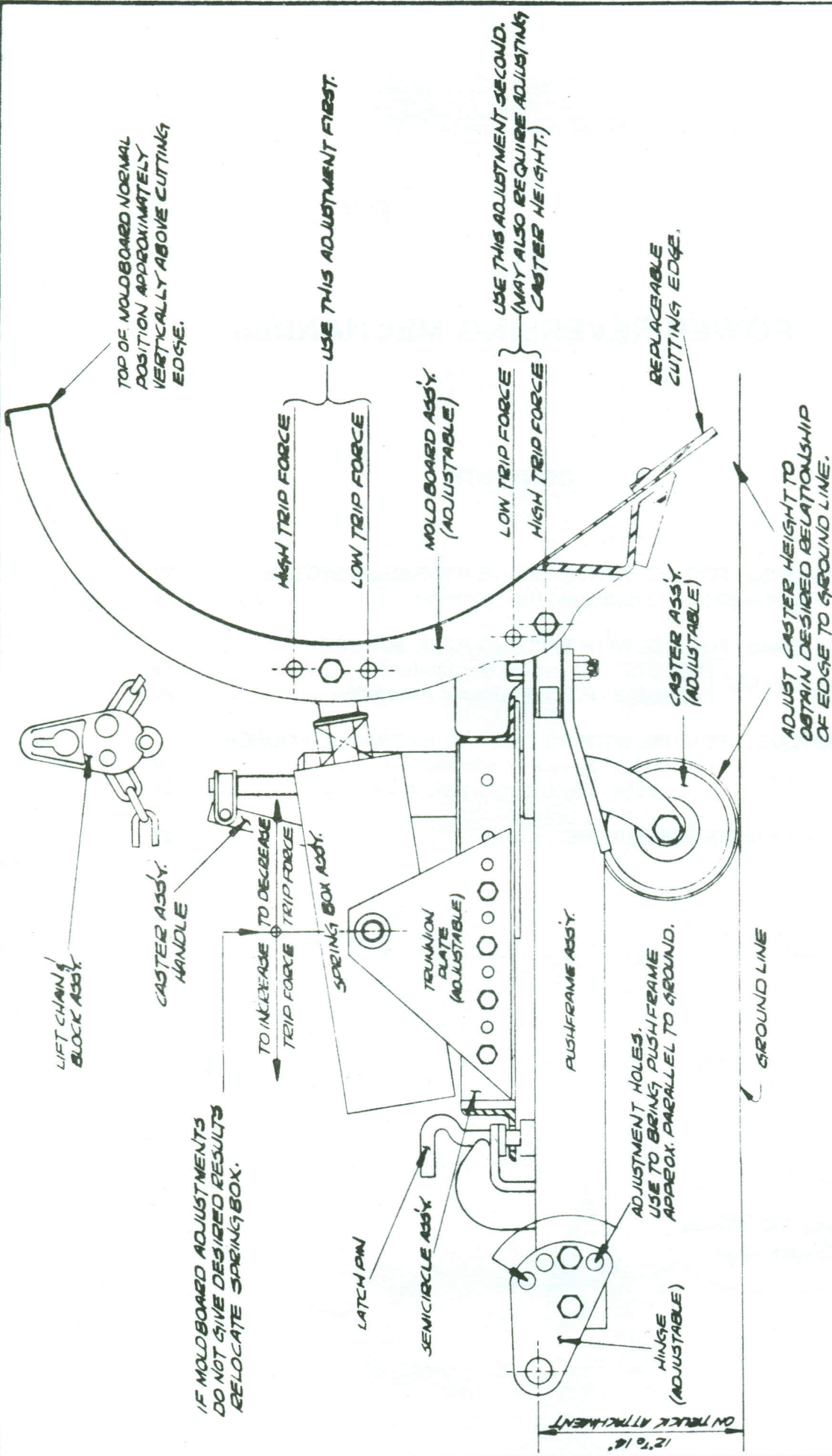
ITEM	PART NO.	DESCRIPTION	QTY.	ITEM	PART NO.	DESCRIPTION	QTY.
1	62100383	CYLINDER-COMLETE	1	4	62101786	Spreader	1
	62101787	Neoprene Wiper	1	5	62101785	Chrome Plated Rod	1
	2	62101454	Packing Gland Nut	1	6	62101788	Cylinder Outer Tube
3	62101453	Packing Set	1				

POWER PACKAGES



ITEM	PART NO.	DESCRIPTION	QTY.
	62101867	POWER PACKAGE 1/2 GAL.	1
	62101866	POWER PACKAGE 1 GAL.	1
* 1	62101865	Hydraulic Pump 1/2 Gal.	1
** 1	62101866	Hydraulic Pump 1 Gal.	1
2	62100351	Mounting Stand	1
3	90713062	Cable Assembly	1
4	90713006	Cable Assembly	1
5	90817035	Cable Clip	1
6	97205047	Screw (Self Tapping) 10-32	1
7	96091408	Street Elbow 90°	1
8	90804037	Hex Hd Bolt 5/16-18 x 3/4	3
9	98415035	Lockwasher 5/16	3
10	90804185	Hex Hd Bolt 3/8-16 x 1	2
11	98415042	Lockwasher 3/8	2
12	95210330	Hex Nut 3/8 -16	2
13			

* Used In POWER PACKAGE #62100349 Only.
 ** Used In POWER PACKAGE #62100350 Only.

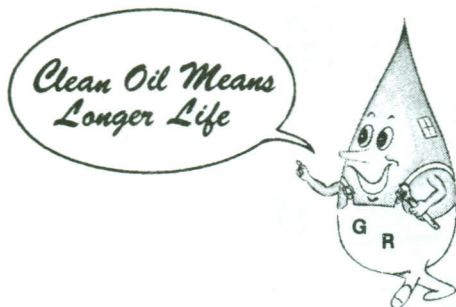


TITLE	PLOW5 - ALL
	TRIP ADJUSTMENTS
DATE	
REV	
	W-5732

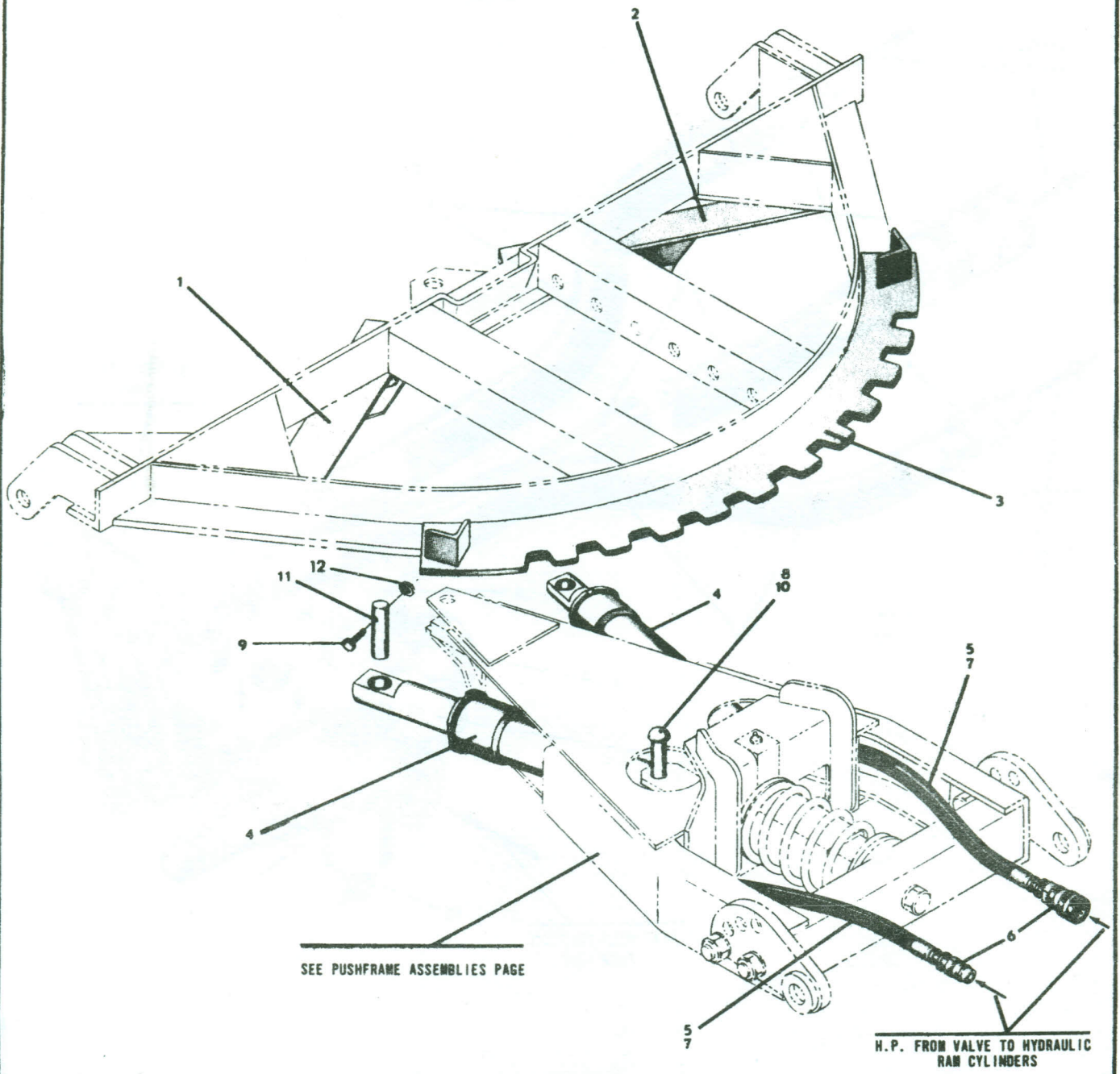
POWER REVERSING MECHANISM

CONTENTS

I	62100753 - FOR USE WITH EXISTING HYDRAULIC SYSTEM	19
	Includes-62100383-Hydraulic Ram Cylinder.....	15
II	62100948 - FOR USE WITH EXISTING P.T.O. SOURCE	
	Consists of { 62100753 - Reversing Mechanism.....	19
	{ 62100852 - P.T.O. Hydraulic Assembly.....	20
III	62100754 - FOR USE WITH NO EXISTING HYDRAULIC SOURCE	
	Consists of { 62100753 - Reversing Mechanism.....	19
	{ 62100854 - Electric-Hydraulic Assembly.....	21
	PUSHFRAME ASSEMBLIES.....	22

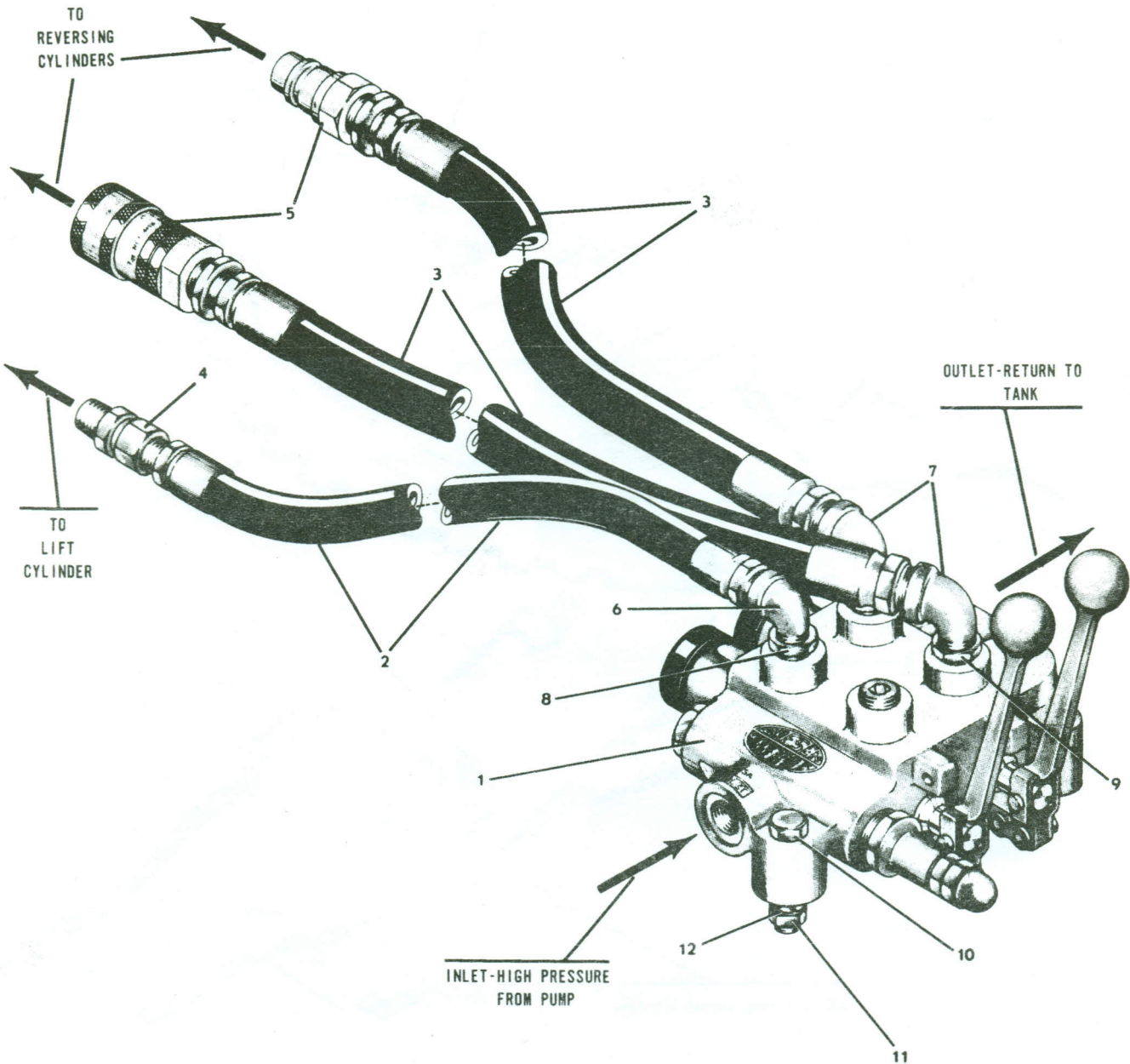


POWER REVERSING MECHANISM 62100753



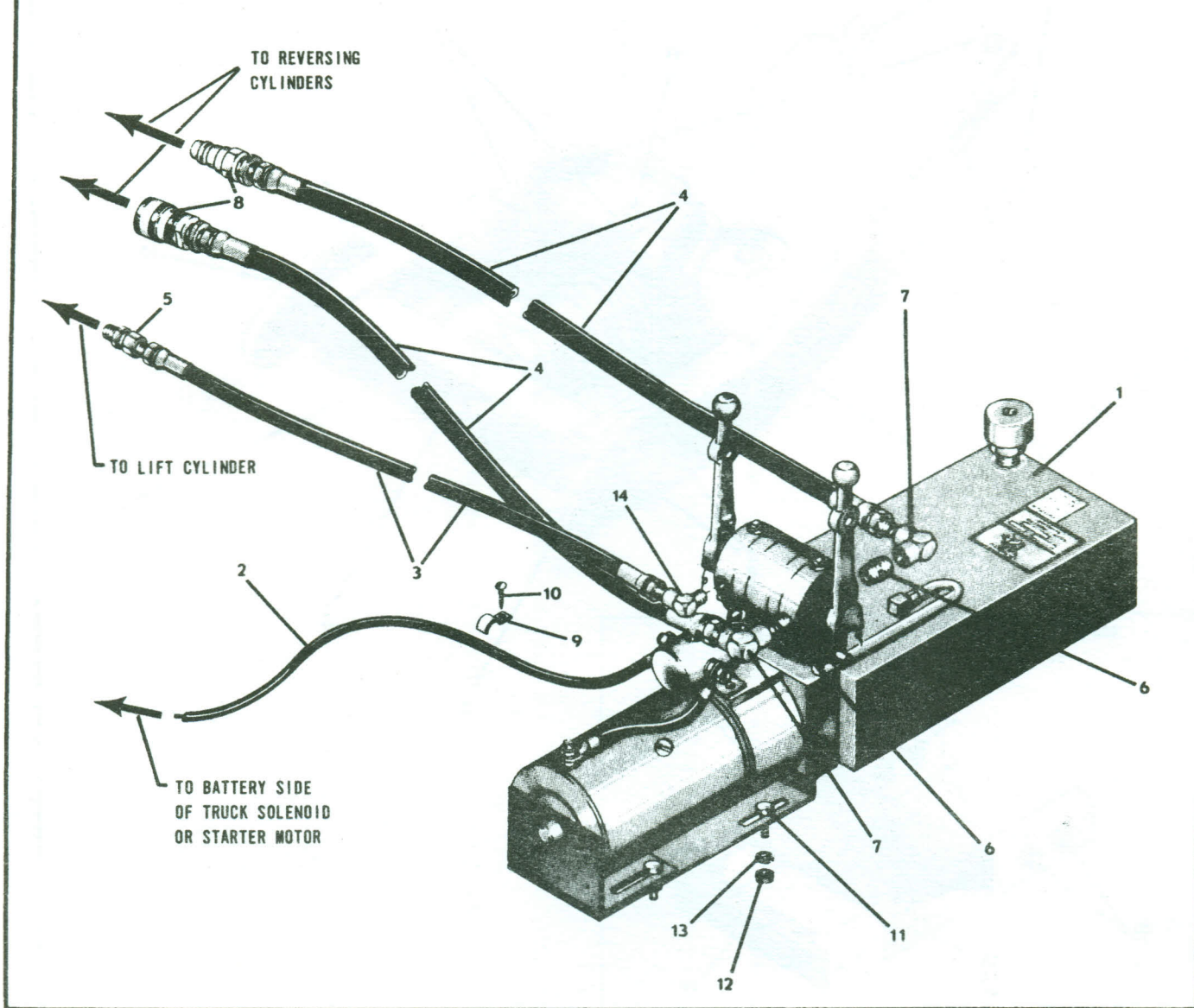
ITEM	PART NO.	DESCRIPTION	QTY.
1	62100758	Channel Assembly - Left	1
2	62100760	Channel Assembly - Right	1
3	62100788	Latch Bar Assembly	1
4	62100383	Hydraulic Ram Cylinder	2
5	92920345	Hose Assembly	2
6	90833037	Coupler	1
7	96081518	Street Elbow 45°	2
8	90831082	Cotter Pin 3/16 x 2	2
9	90802006	Hex Hd. Bolt 5/16-18 x 2-1/2	2
10	62100214	Rivet	2
11	62100789	Pin	2
12	95210420	Locknut 5/16-18	2

PTO HYDRAULIC ASSEMBLY 62100852



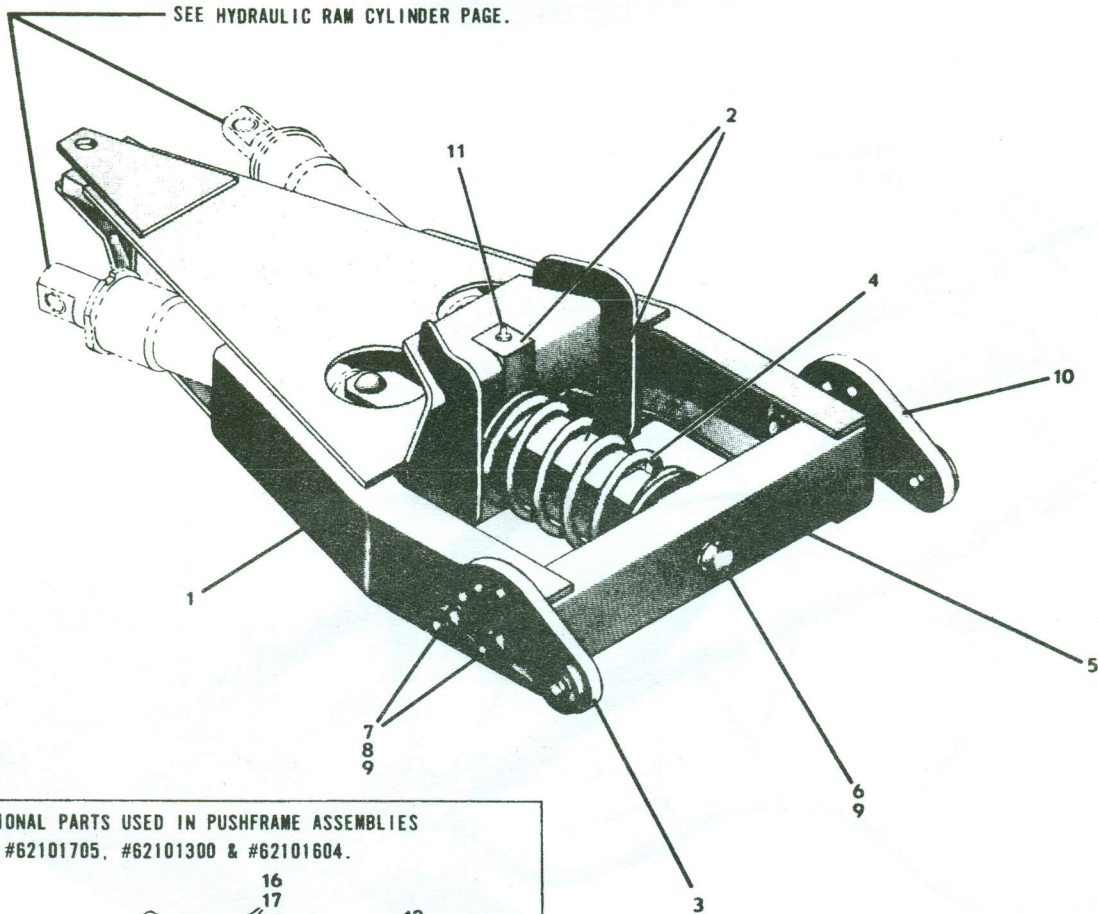
ITEM	PART NO.	DESCRIPTION	QTY.
1	62100853	Control Valve	1
2	92821139	Hydraulic Hose 1/4 x 8-6	1
3	92821017	Hydraulic Hose 3/8 x 8-6	2
4	90200042	Swivel 1/4	1
5	90833037	Coupler	1
6	96091408	Street Elbow 1/4 H.P.	1
7	96091416	Street Elbow 3/8 H.P.	2
8	90709295	Red Bushing 1/2 x 1/4 H.P.	1
9	90709300	Red Bushing 1/2 x 3/8 H.P.	2
10	90804510	Hex Hd Bolt 3/8-16 x 2-1/2	3
11	95210330	Hex Nut 3/8-16	3
12	98415042	Lockwasher 3/8	3

ELECTRIC-HYDRAULIC ASSEMBLY 62100854

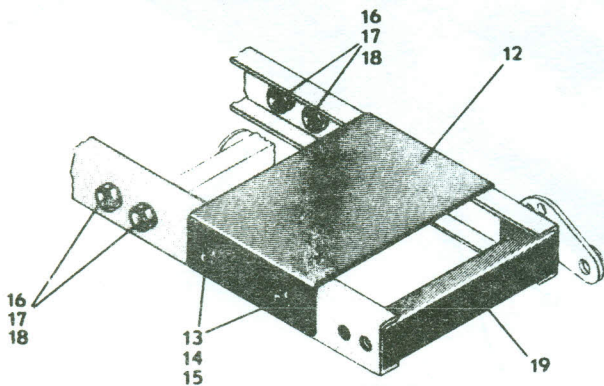


ITEM	PART NO.	DESCRIPTION	QTY.
1	62100855	<u>POWER PACK & VALVE</u>	1
	62101477	Valve	1
2	90713006	Starter Cable 48	1
3	92821139	Hose (H.P.) 1/4 x 102	1
4	92821017	Hose (H.P.) 3/8 x 102	2
5	90200042	Swivel Conn.	1
6	96091103	Hex Pipe Nipple 1/4 x 1/4	2
7	96091614	Elbow 3/8 x 1/4	2
8	90833037	Coupler 3/8	1
9	90817035	Pipe Clamp 1/4	4
10	97205047	Self Tapping Screw	4
11	90804185	Hex Hd Bolt 3/8-16 x 1	4
12	95210330	Hex Nut 3/8-16	4
13	98415042	Lockwasher 3/8	4
14	96091408	Street Elbow 1/4 x 90°	1

PUSHFRAME ASSEMBLIES



ADDITIONAL PARTS USED IN PUSHFRAME ASSEMBLIES
#62101705, #62101300 & #62101604.



ITEM	PART NO.	DESCRIPTION	QTY.	ITEM	PART NO.	DESCRIPTION	QTY.
	<u>62100728</u>	<u>PUSHFRAME ASSEMBLY-COMplete-42"</u>	<u>1</u>	9	98415065	Lockwasher 1	5
	<u>62101705</u>	<u>PUSHFRAME ASSEMBLY-COMplete-48"</u>	<u>1</u>	10	62100249	Hinge Bushing Assy	1
	<u>62101300</u>	<u>PUSHFRAME ASSEMBLY-COMplete-60"</u>	<u>1</u>	11	92408049	Grease Fitting 3/8	1
	<u>62101604</u>	<u>PUSHFRAME ASSEMBLY-COMplete-72"</u>	<u>1</u>	** 12	62101306	Boxing Cover	1
1	62100729	Pushframe-42"	1	** 12	62101606	Boxing Cover	1
1	62101704	Pushframe-48"	1	*** 13	90802061	Hex Hd Bolt 5/8-11 x 1-3/4	4
1	62101301	Pushframe-60"	1	*** 14	98415055	Lockwasher 5/8	4
1	62101605	Pushframe-72"	1	*** 15	95210141	Hex Nut 5/8-11	4
2	62100744	Latch Spring Assy	1	16	90804441	Hex Hd Bolt 1-8 x 1-3/4	4
3	62100248	Hinge Bushing Assy	1	17	98415065	Lockwasher 1	4
4	62100384	Compression Spring	1	18	95210159	Hex Nut 1-8	4
5	62100749	Rear Channel Assy	1	*** 19	62101307	Rear Channel Assy	1
6	90802083	Hex Hd Bolt 1-8 x 5	1				
7	90804431	Hex Hd Bolt 1-8 x 3	4				
8	95210159	Hex Nut 1-8	4				

* Used In Pushframe Assembly #62101300 Only.

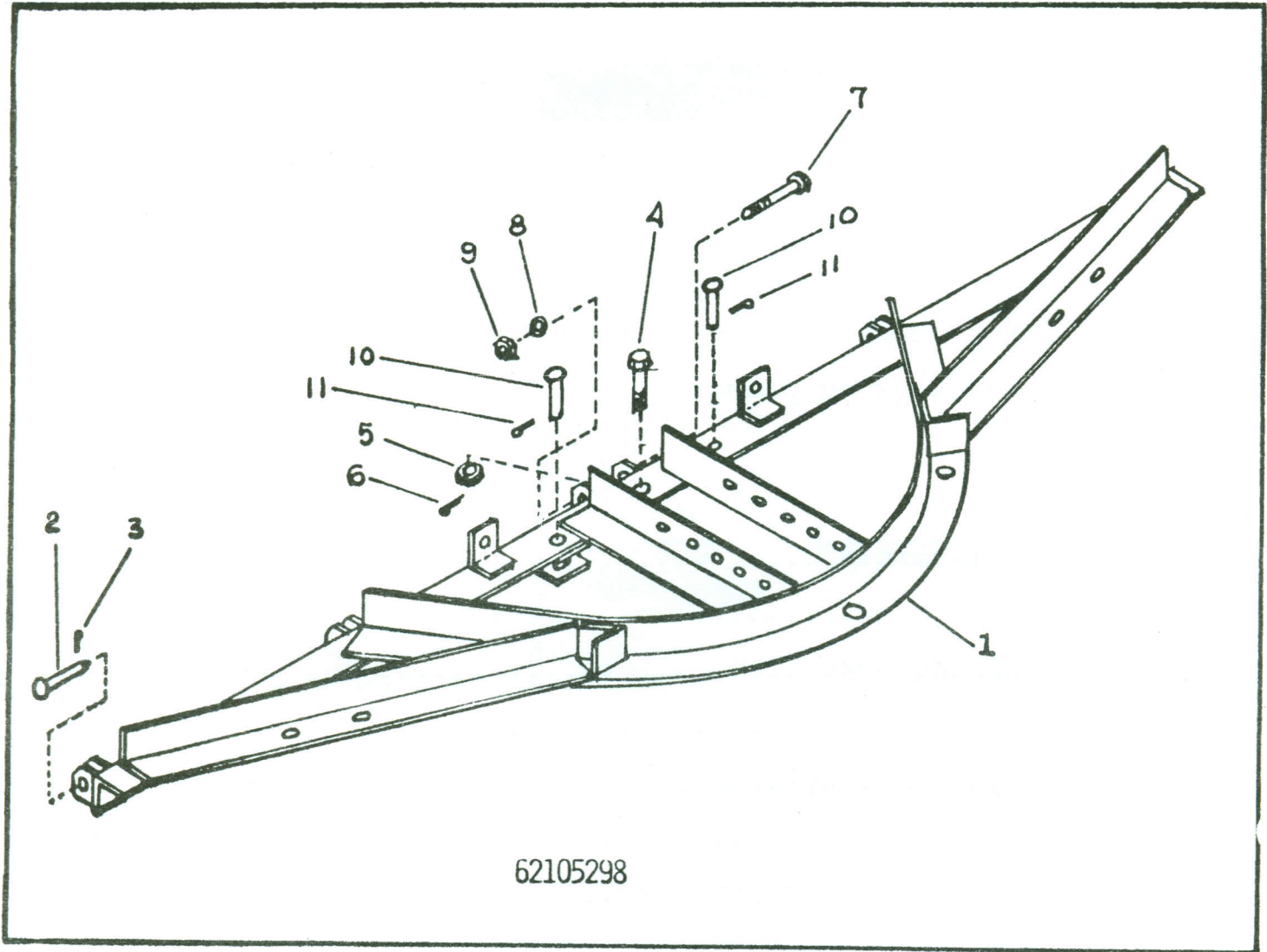
** Used In Pushframe Assembly #62101604 Only.

*** Used In Pushframe Assemblies #62101300 & #62101604 Only.

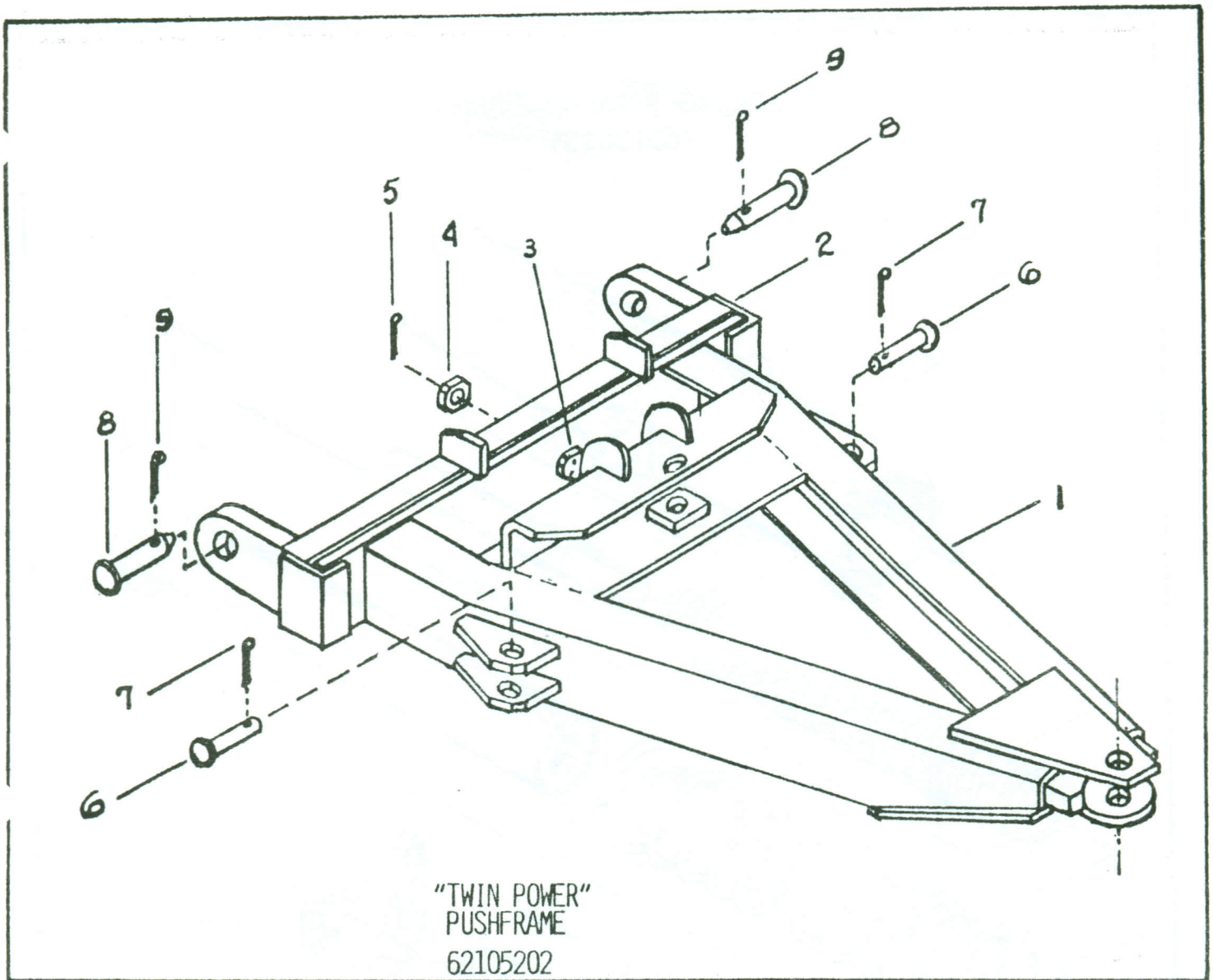
For double acting or single acting power reverse units, see following pages:

Semicircle.....	24
PushFrame.....	25
Spring box.....	26
Trunnion.....	27
Hydraulic cylinders.....	28
Hydraulics.....	29
Plow trip adjustments.....	30

SEMI-CIRCLE ASSEMBLY

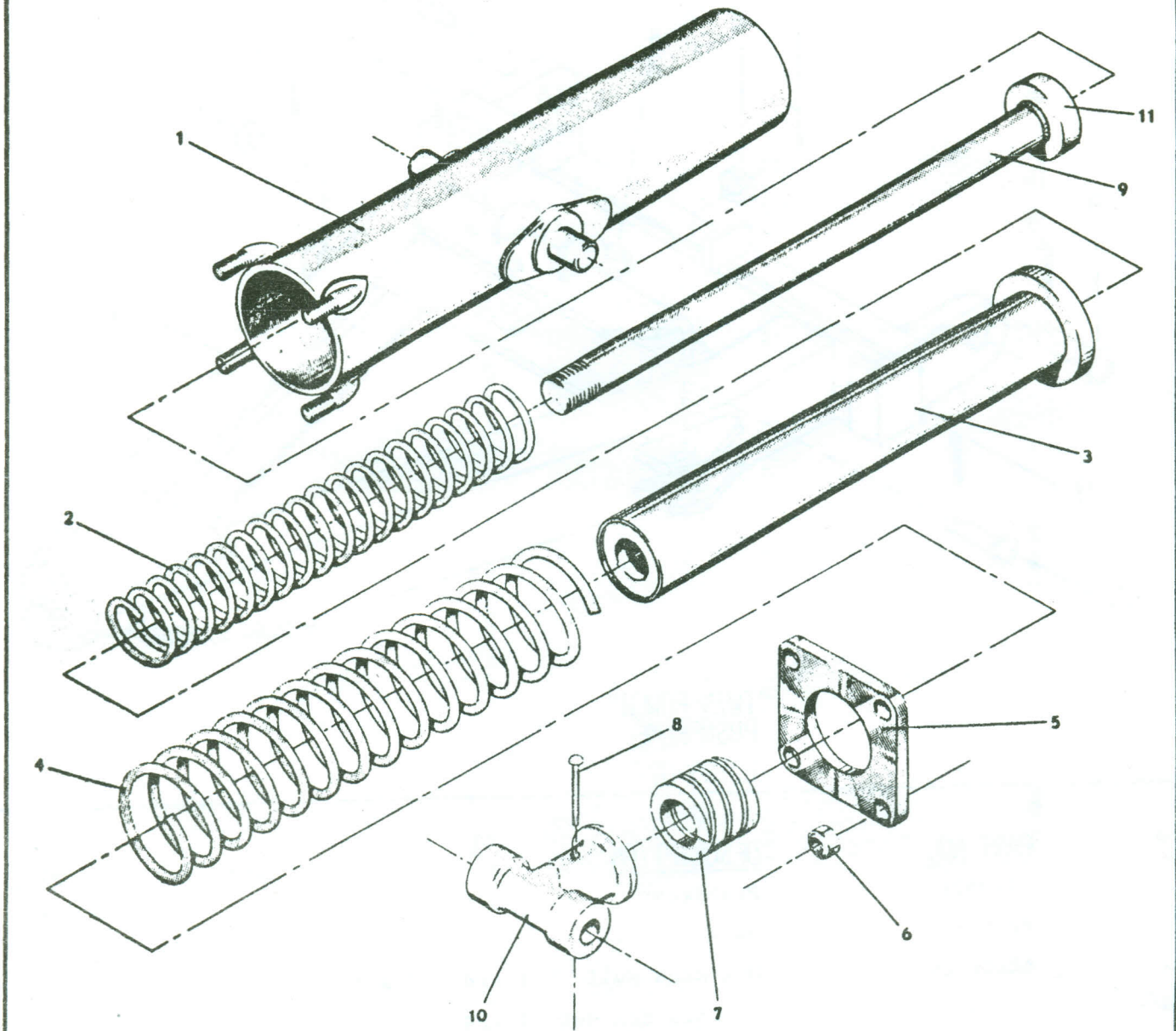


<u>ITEM</u>	<u>PART NUMBER</u>	<u>DESCRIPTION</u>	<u>QUANTITY</u>
1	62105203	Semi-circle	1
2	62100121	Rivet pin	4
3	90831091	Cotter pin 3/16 X 1 1/4	4
4	62100122	Hex head bolt 7/8 - 9 X 5	1
5	95210451	Slotted hex nut 7/8 - 9	1
6	90831092	Cotter pin 3/16 X 1 3/4	1
7	90696007	Hex head bolt 3/4 - 10 X 6 1/2	1
8	98415060	Lockwasher 3/4	1
9	95210150	Hex nut 3/4 - 10	1
10	62100222	Rivet pin	2
11	90831099	Cotter pin 1/4 X 2	2

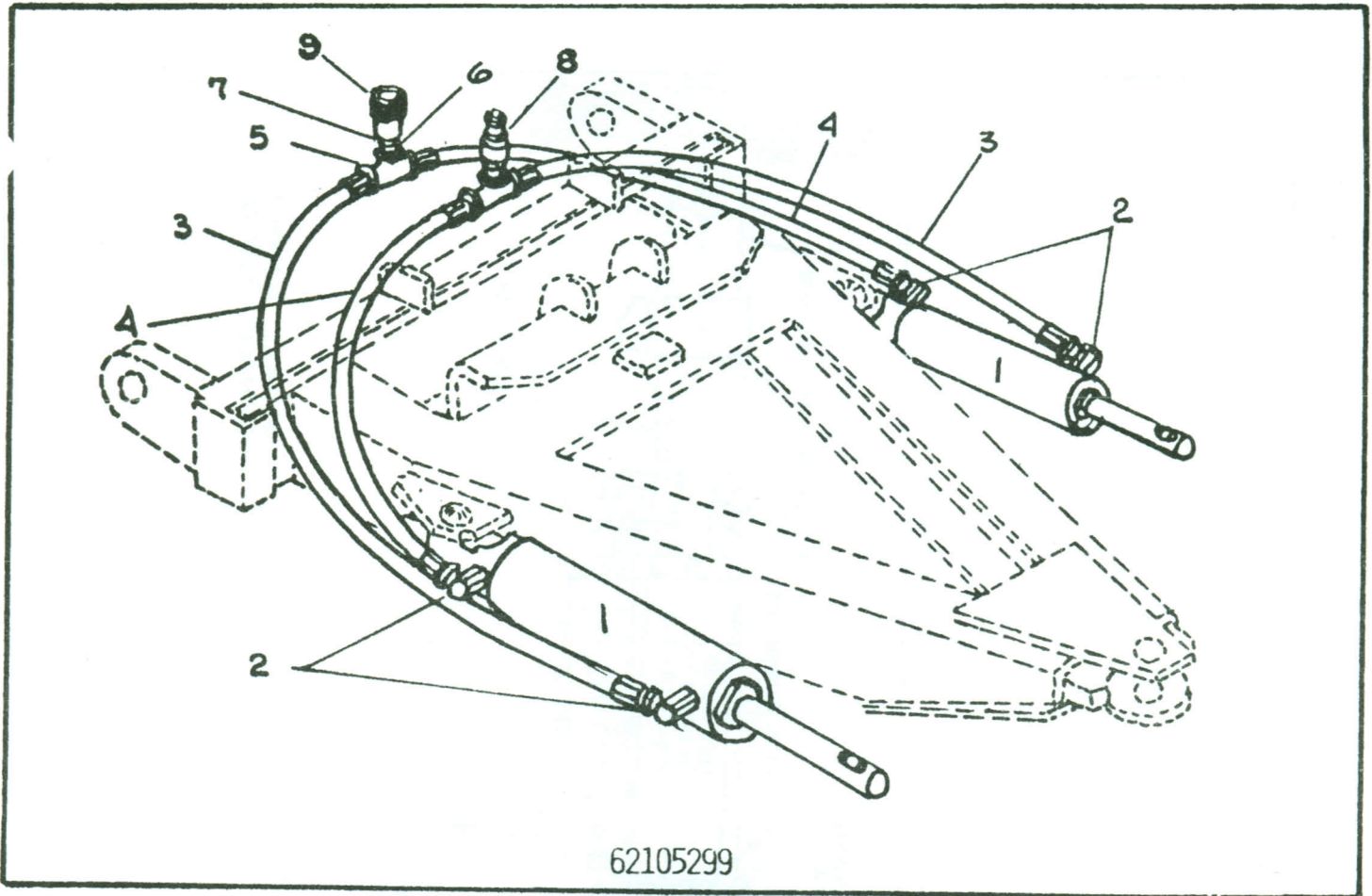


<u>ITEM</u>	<u>PART NO.</u>	<u>DESCRIPTION</u>	<u>QTY.</u>
1.	62105218	Pushframe	1
2.	62105222	Swivel Hitch	1
3.	62101186	Hex Head Bolt	1 1/4 - 7 X 3
4.	95210513	Slotted Hex Nut	1 1/4 - 7
5.	90831101	Cotter Pin	1/4 X 3
6.	6210Q680	Rivet Pin	2
7.	90831082	Cotter Pin	3/16 X 2
8.	62100216	Rivet Pin	2
9.	90831020	Cotter Pin	1/4 X 2 1/2

SPRING BOX ASSEMBLY 62100239

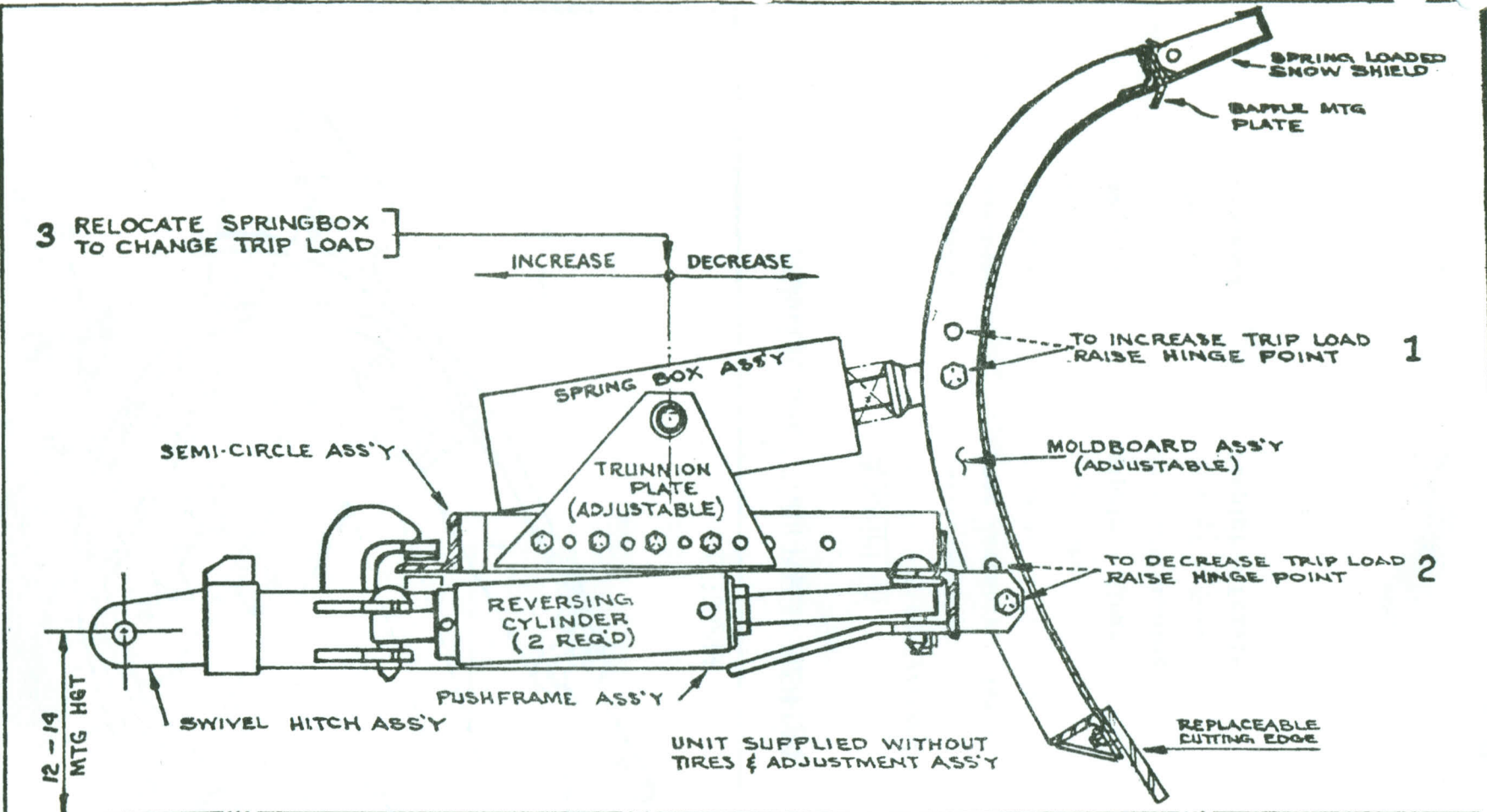


ITEM	PART NO.	DESCRIPTION	QTY.
1	62100145	Outside Tube Assembly	1
2	62100132	Inside Spring	1
3	62100204	Inside Tube Assembly	1
4	62100131	Outside Spring	1
5	62100129	Cover Plate	1
6	95210215	Hex Nut (Locking) 5/8-18 NF	4
7	62100133	Recoil Spring	1
8	97192006	B.H. Rivet Pin	1
	62100135	<u>Tension Rod Assembly</u>	1
9	62100136	Tension Rod	1
10	62100138	Plow Coupling	1
11	62100137	Rear Rod Guide	1



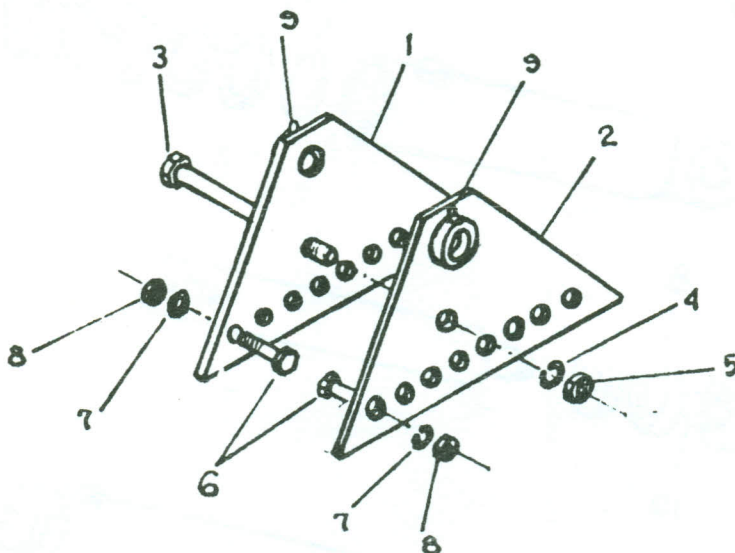
HYDRAULIC GROUP "TWIN POWER" PUSHFRAME

<u>ITEM</u>	<u>PART NO.</u>	<u>DESCRIPTION</u>	<u>QTY.</u>
1.	99806230	Double Acting Cylinder	2
2.	99806244	Swivel Adapter	4
3.	92820414	Hose Assembly 36"	2
4.	92820345	Hose Assembly 24"	2
5.	99806243	Black Tee	2
6.	95205195	Nipple - Close	2
7.	90709300	Reducing Bushing	2
8.	90829021	Coupler - Male	1
9.	90829023	Coupler - Female	1

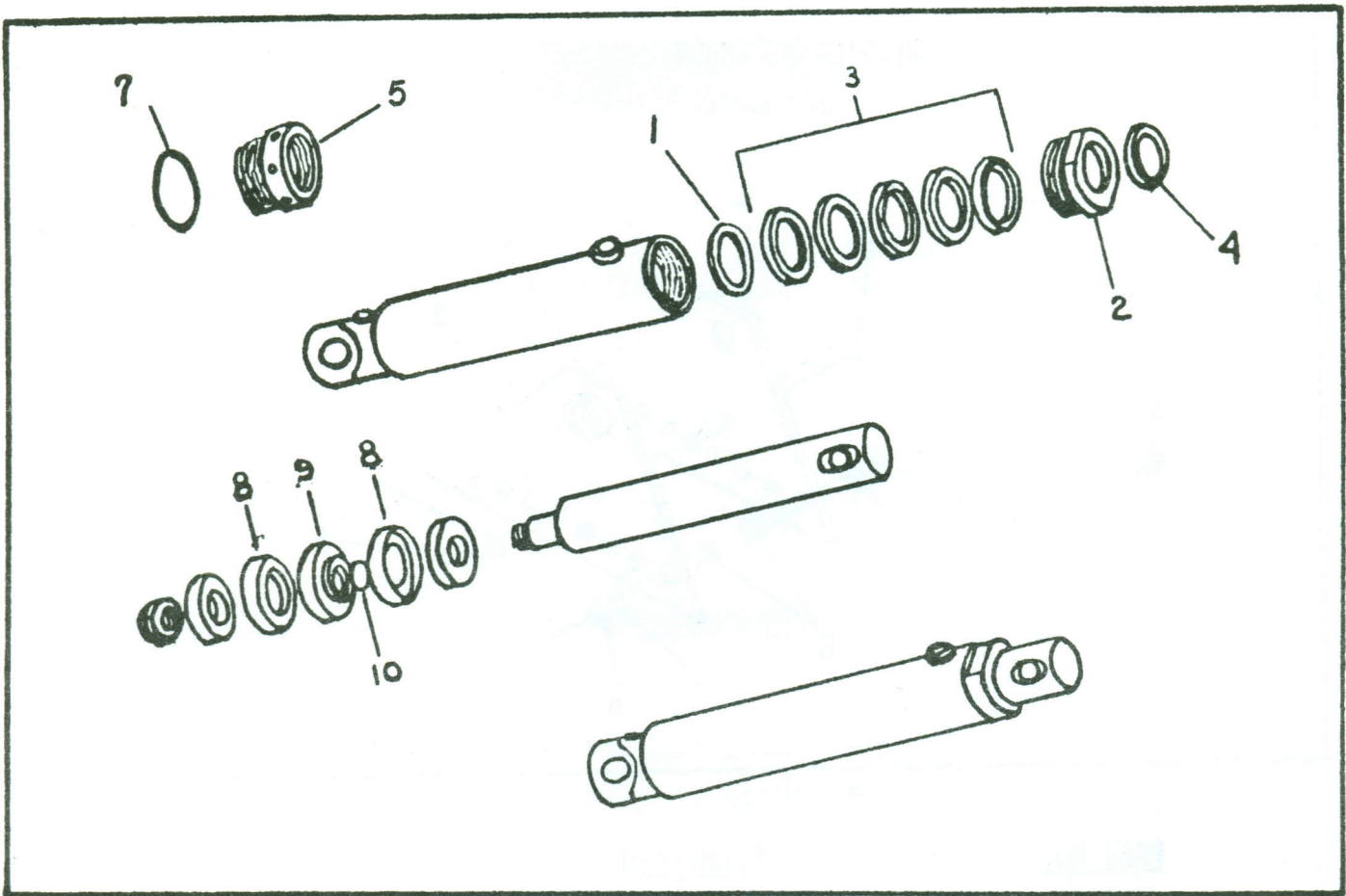


TRIP ADJUSTMENT
PROCEDURE 1-2-3

TRUNNION ASSEMBLY



<u>ITEM</u>	<u>PART NO.</u>	<u>DESCRIPTION</u>	<u>QTY.</u>
	<u>62100199</u>	<u>TRUNNION ASSEMBLY - COMPLETE</u>	<u>1</u>
1	62100201	Boss Assembly - Left	1
2	62100200	Boss Assembly - Right	1
3	90696009	Hex Head Bolt 5/8 - 11 X 8 1/2	1
4	98415055	Lockwasher 5/8	1
5	95210141	Hex Nut 5/8 - 11	1
6	90804417	Hex Head Bolt 3/4 - 10 X 2	8
7	98415060	Lockwasher 3/4	8
8	95210150	Hex Nut 3/4 - 10	8
9	92408022	Grease Fitting 5/16 PF	2



DOUBLE ACTING 3" HYDRAULIC CYLINDER - 99806239

<u>ITEM</u>	<u>PART NO.</u>	<u>DESCRIPTION</u>	<u>QTY.</u>
1.	99806245	Spreader	1
2.	99806247	Packing Gland Nut	1
3.	99806246	Vee Packing Set	1
4.	99806248	Wiper	1
5.	99806249	Nut	1
6.	99806250	Seal Repair Kit (Contains: 1 each of numbers 3, 4, 7, 9, and 2 each of number 8.)	1

--NOTES--

--NOTES--

0

0

CD

