



Fisher Engineering

**90750, 90800, 90850, 90900, 93800
93900, 77500, 97500, 97600**

50 Gordon Drive, Rockland, Maine 04841-2139 • www.fisherplows.com

October 15, 2017
Lit. No. 78556, Rev. 01



HD2™, HDX™, and XRS™ Skid Steer Snowplows

HD2 Blade Assembly 90750, 90800, 90850, 90900

HDX Blade Assembly 93800, 93900

XRS Blade Assembly 77500

**HD2/HDX A-Frame/Attachment Plate & Hydraulics
97500**

XRS A-Frame/Attachment Plate & Hydraulics 97600

Parts List

BLADE COMPONENTS 4

 HD2™ Blades 4

 HDX™ Blades 6

 XRS™ Blades 8

A-FRAME COMPONENTS..... 10

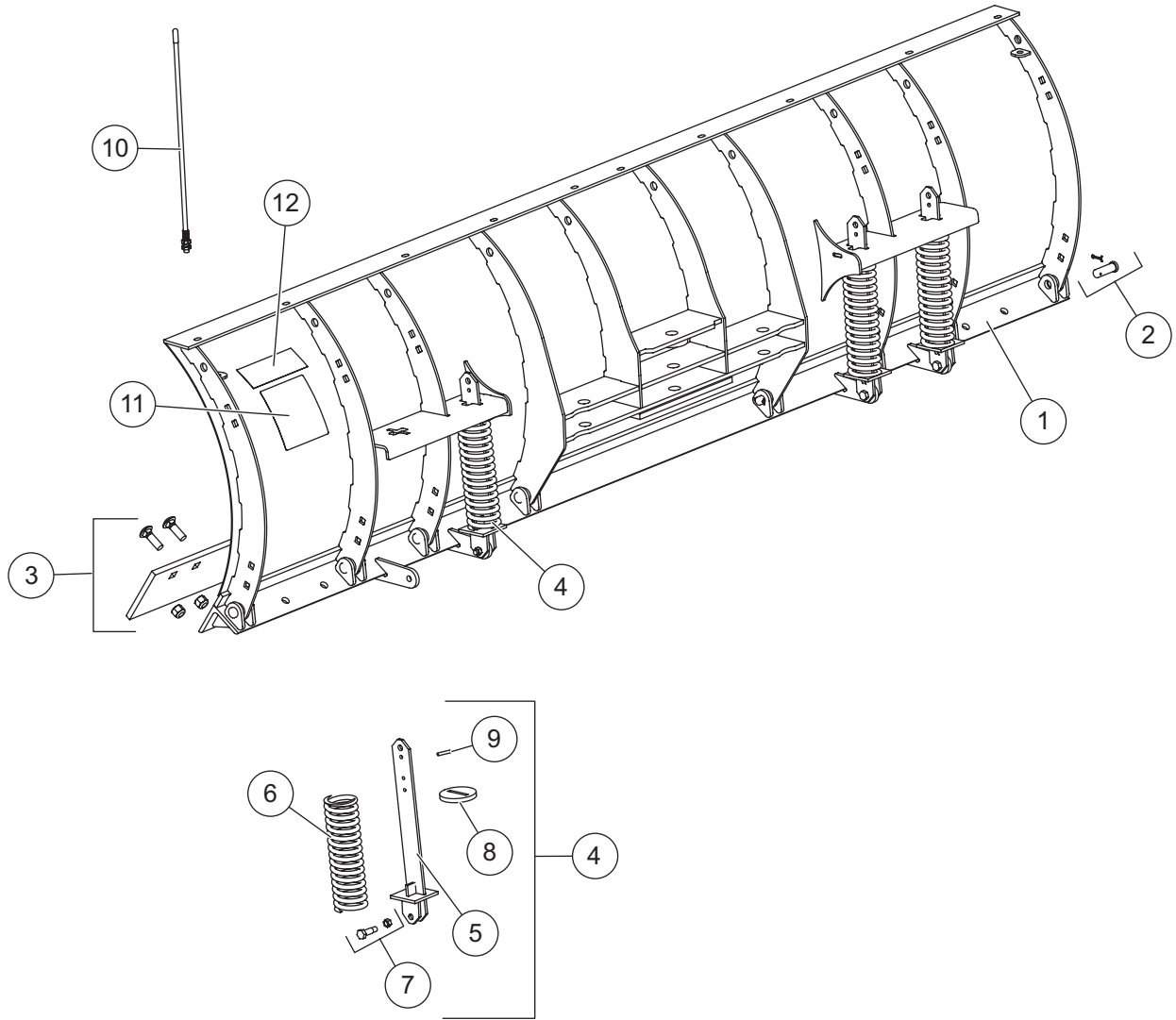
 HD2/HDX A-Frame 10

 XRS A-Frame..... 12

ANGLE RAM COMPONENTS 14

HYDRAULIC COMPONENTS..... 15

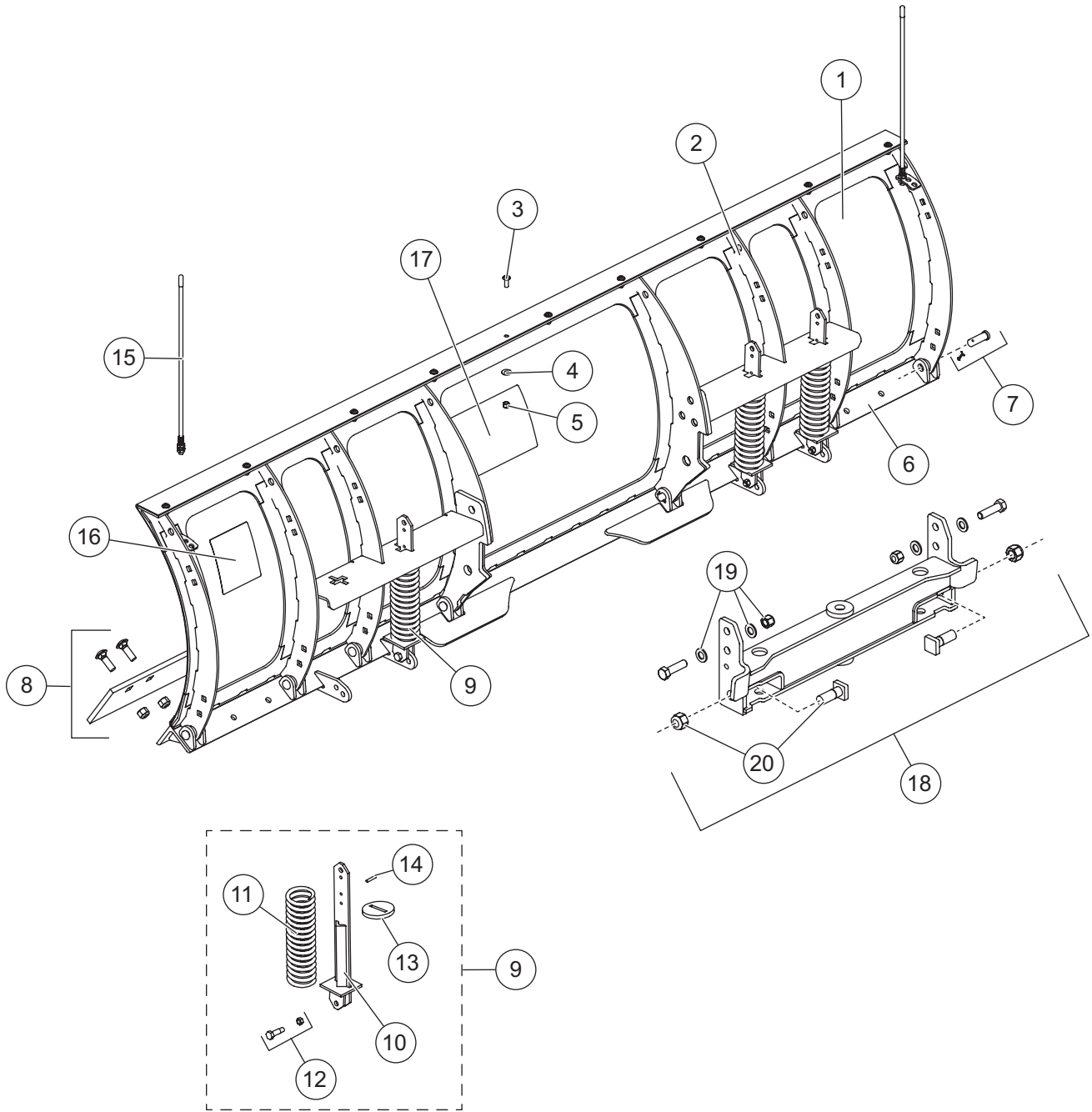
HD2™ Blade Components



90750, 90800, 90850, 90900, 93800, 77500, 93900, 97400

90750/90800/90850/90900 HD2™ Blade Components – 7.5'/8.0'/8.5'/9.0'							
Item	Part	Qty	Description	Item	Part	Qty	Description
1	52511	1	Base Angle – 7.5'	6	27406	4	Trip Spring
	52512	1	Base Angle – 8.0'	7	40905	4	Shoulder Bolt w/Locknut
	52513	1	Base Angle – 8.5'	8	20191	4	Removable Spring Disk
	52514	1	Base Angle – 9.0'	9	20181	4	1/4 x 1-1/4 Pin
2	84844	8	3/4 x 2-3/16 Machine Pin w/Cotter	10	7906K	1	Blade Guide Kit (set of 2)
3	5532	1	3/8" Steel Cutting Edge – 7.5'	11	59900	1	Label – Warning/Caution, Snowplows
	5533	1	1/2" Steel Cutting Edge – 8.0'	12	26211	1	Label – STORM GUARD™
	26460	1	1/2" Steel Cutting Edge – 8.5'	13	57990	1	Label – Skid Steer Attach/Detach
	5534	1	1/2" Steel Cutting Edge – 9.0'	ns	20238	1	Label – FISHER® Logo
4	26464	4	Removable Spring Assembly	ns	43893	1	Label, Identity – HD2
5	20757	4	Removable Spring Bar				

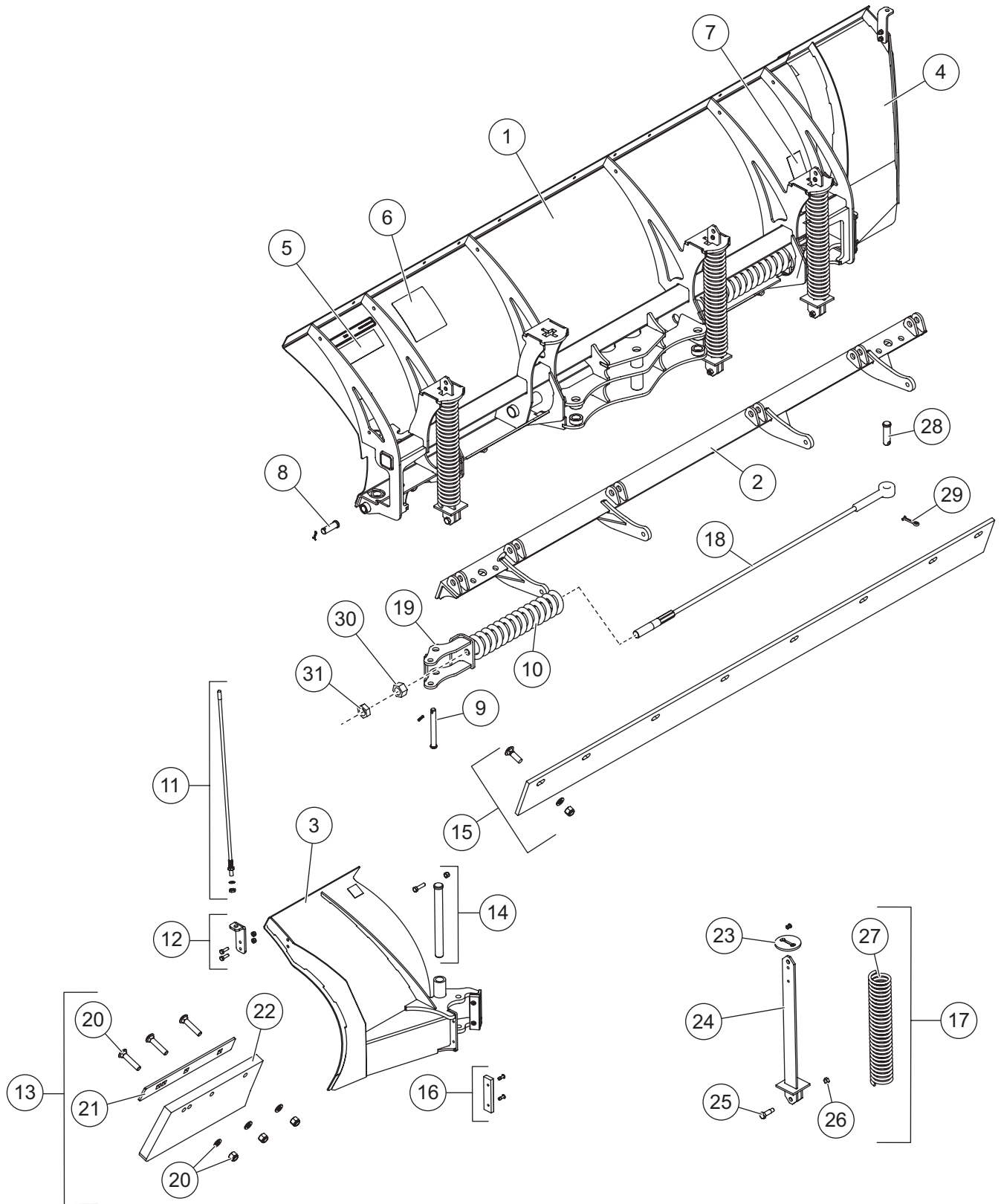
HDX™ Blade Components



90750, 90800, 90850, 90900, 93800, 77500, 93900, 97400

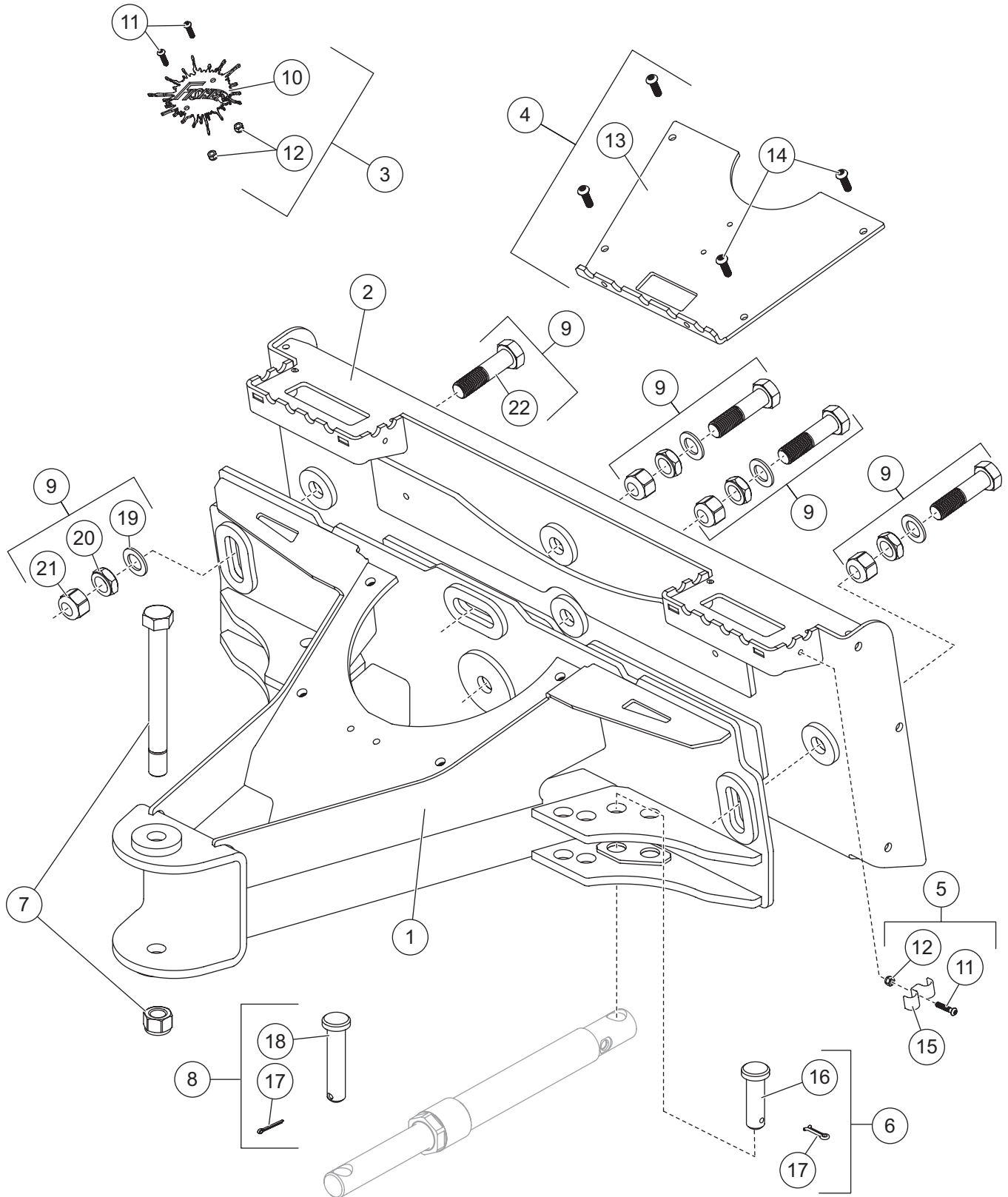
93800/93900 HDX™ Blade Components – 8.0'/9.0'							
Item	Part	Qty	Description	Item	Part	Qty	Description
1	52164	1	Moldboard Kit SS – 8.0'	10	20757	4	Removable Spring Bar
	52163	1	Moldboard Kit SS – 9.0'	11	27406	4	Trip Spring
2	52165	1	Blade Frame (w/o Base Angle) – 8.0'	12	40905	4	Shoulder Bolt w/Locknut
	52166	1	Blade Frame (w/o Base Angle) – 9.0'	13	20191	4	Removable Spring Disc
3	98035	10	3/8-16 x 1 Button Cap Screw SS	14	20181	4	1/4 x 1-1/4 Pin
4	29233	10	3/8 Hardened Flat Washer	15	7906K	1	Blade Guide (set of 2)
5	95410	10	3/8 x 16 Brass Locknut	16	59900	1	Label – Warning/Caution, Snowplows
6	52167	1	Base Angle – 8.0'	17	57990	1	Label – Skid Steer Attach/Detach
	52182	1	Base Angle – 9.0'	18	52588	1	Articulating Quadrant w/Fasteners
7	5523K	8	3/4 x 2-3/16 Machine Pin w/Cotter	19	52638	1	3/4-10 x 2-3/4 G5 Fastener Kit
8	5533	1	1/2" Steel Cutting Edge – 8.0'	20	52595	1	1-14 x 2-3/4 G8 Square Bolt Kit
	5534	1	1/2" Steel Cutting Edge – 9.0'	ns	20238	1	Label – FISHER® Logo
9	26464	4	Removable Spring Assembly	ns	43672	1	Label, Identity – HDX
SS = Stainless Steel							

XRS™ Blade Components



XRS™ Blade Components							
Item	Part	Qty	Description	Item	Part	Qty	Description
1	76775	1	XRS Blade with Labels	12	50646	1	Blade Guide Bracket Kit
2	76773	1	Base Angle	13	76767	2	Wing Cut Edge Kit
3	76770	1	Wing – DS	14	42396	2	Hinge Pin Kit
4	76771	1	Wing – PS	15	76779	1	XRS Cutting Edge Kit
5	26211	1	Label, Identity – Storm Guard™	16	42395	2	Bumper Kit
6	59900	1	Label – Warning/Caution, Snowplows	17	50665	4	Spring Assembly Kit
7	29593	2	Label – Multiple Pinch Points	18	42389	2	Cable Assembly w/Hardware (incl. items 28, 29, 30 and 31)
8	5523K	6	3/4 x 2-3/16 Base Angle Pin	19	76772	2	Spring Guide
9	76769	2	Spring Guide Pin Kit	ns	86821	1	Label, Identity – XRS
10	42725	2	Wing Spring	ns	20238	1	Label – FISHER® Logo
11	27195	1	Flexible Blade Guide Kit				
Item 13				76767 Wing Cut Edge Kit			
20	76768	1	Wing Cut Edge Hardware Kit	22	76776	2	Wing Cutting Edge
21	76774	2	Retainer Bar XRS				
Item 17				50665 Spring Assembly Kit			
23	20191	4	Removable Spring Disc	26	90353	4	7/16-14 Hex Locknut GB
24	50664	4	Spring Bar	27	50663	4	Trip Spring
25	91000	4	1/2 x 1-5/8 Hex Shoulder Bolt GS				
Item 18				42389 Cable Assembly w/Hardware			
28	B61563	2	0.625 x 2.33 Clevis Pin	30	B61343	2	3/4-10 Hex Nut
29	90601	2	1/4 x 1-1/2 Cotter Pin	31	B61615	2	3/4-10 Hex Jam Nut
			G = Grade				ns = Not Shown

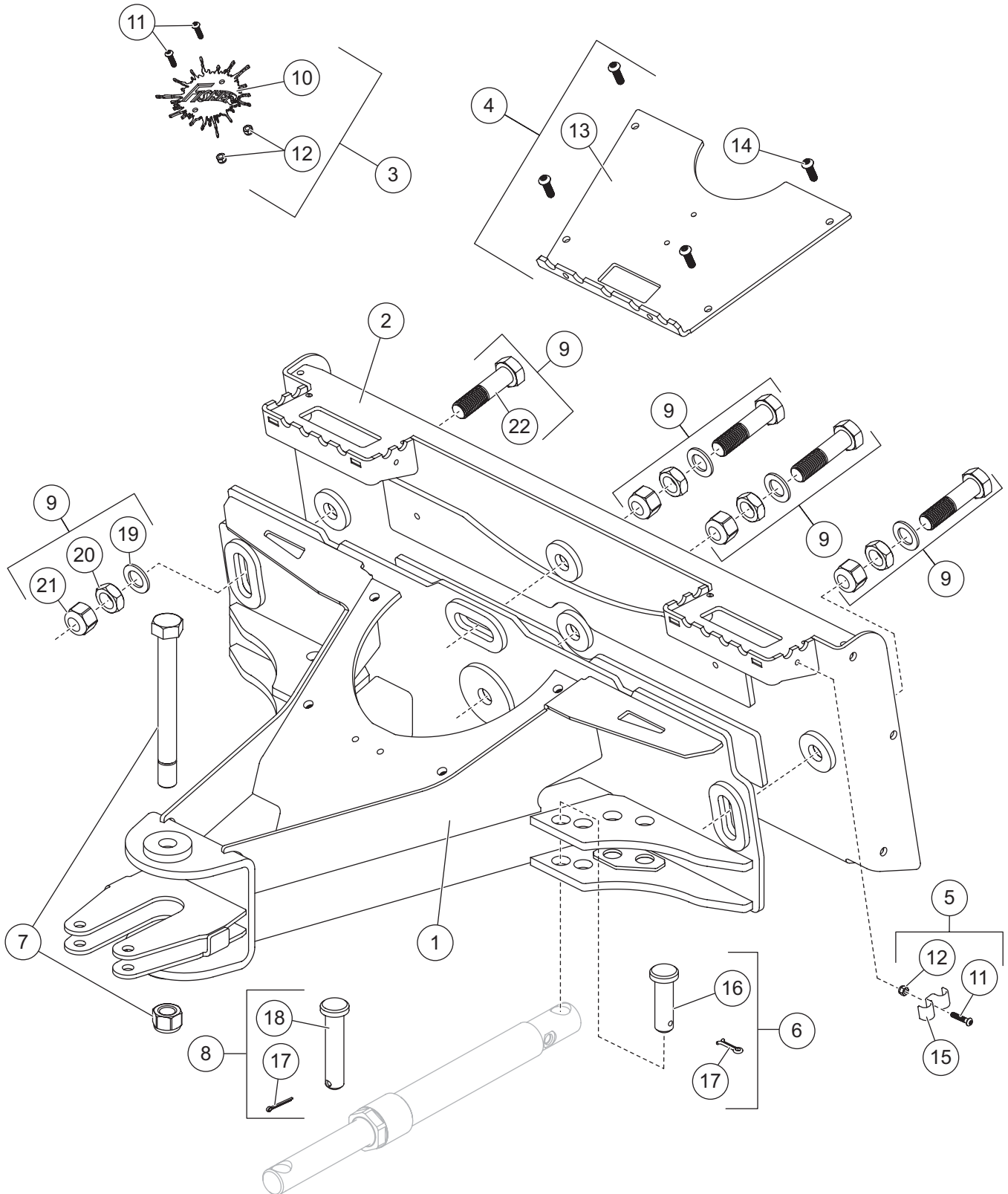
HD2™/HDX™ A-Frame Components



A-Frame Components							
Item	Part	Qty	Description	Item	Part	Qty	Description
1	96665	1	A-Frame HD2™/HDX™	6	7903K	2	Ram Pin Kit
2	96660	1	Universal Mount Kit	7	50668	1	1 x 9-1/2 Pivot Bolt Kit
3	83783	1	FISHER® Logo Plate Kit Osc SS	8	50673	2	Ram Pin Kit
4	83784	1	A-Frame Cover Kit Osc SS	9	83780	4	Universal Plate Bolt Kit
5	57890	1	Hose Clamp Kit	ns	57898	1	Label – Hydraulic Guide - Skid Steer
Item 3 83783 FISHER Logo Plate Kit Osc SS							
10		1	Logo Plate – FISHER®	12		2	1/4-20 Hex Locknut
11		2	1/4-20 x 1 Button-Head Screw				
Item 4 83784 A-Frame Cover Kit Osc SS							
13		1	Step Plate	14		4	3/8-16 x 1-1/2 Button-Head Screw
Item 5 57890 Hose Clamp Kit							
11		1	1/4-20 x 1 Button-Head Screw	15		1	Double Hose Clamp
12		1	1/4-20 Hex Locknut				
Item 6 7903K Ram Pin Kit							
16		1	1 x 4 Clevis Pin	17		1	1/4 x 1-1/2 Cotter Pin
Item 8 50673 Ram Pin Kit							
17		1	1/4 x 1-1/2 Cotter Pin	18		1	1 x 4-3/4 Clevis Pin
Item 9 83780 Universal Plate Bolt Kit							
19		1	Flat Washer Special	21		1	1-8 Hex Locknut GB
20		1	Hex Jam Nut G5	22		1	1-8 x 3-7/8 Hex Cap Screw

For hydraulic relief manifold and fittings, see Hydraulic Components page.

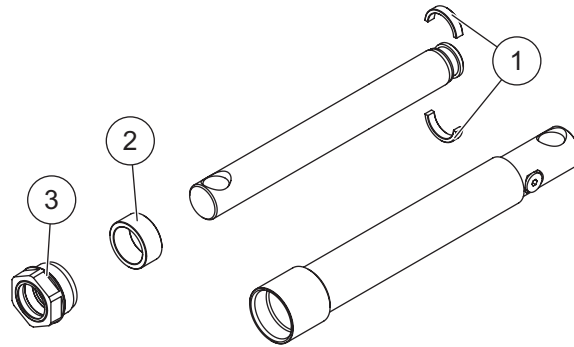
XRS™ A-Frame Components



A-Frame Components							
Item	Part	Qty	Description	Item	Part	Qty	Description
1	96666	1	A-Frame XRS™	6	7903K	2	Ram Pin Kit
2	96660	1	Universal Mount Kit	7	50668	1	1 x 9-1/2 Pivot Bolt Kit
3	83783	1	FISHER® Logo Plate Kit Osc SS	8	50673	2	Ram Pin Kit
4	83784	1	A-Frame Cover Kit Osc SS	9	83780	4	Universal Plate Bolt Kit
5	57890	1	Hose Clamp Kit	ns	57898	1	Label – Hydraulic Guide - Skid Steer
Item 3 83783 FISHER Logo Plate Kit Osc SS							
10		1	Logo Plate – FISHER®	12		2	1/4-20 Hex Locknut
11		2	1/4-20 x 1 Button-Head Screw				
Item 4 83784 A-Frame Cover Kit Osc SS							
13		1	Step Plate	14		4	3/8-16 x 1-1/2 Button-Head Screw
Item 5 57890 Hose Clamp Kit							
11		1	1/4-20 x 1 Button-Head Screw	15		1	Double Hose Clamp
12		1	1/4-20 Hex Locknut				
Item 6 7903K Ram Pin Kit							
16		1	1 x 4 Clevis Pin	17		1	1/4 x 1-1/2 Cotter Pin
Item 8 50673 Ram Pin Kit							
17		1	1/4 x 1-1/2 Cotter Pin	18		1	1 x 4-3/4 Clevis Pin
Item 9 83780 Universal Plate Bolt Kit							
19		1	Flat Washer Special	21		1	1-8 Hex Locknut GB
20		1	Hex Jam Nut G5	22		1	1-8 x 3-7/8 Hex Cap Screw

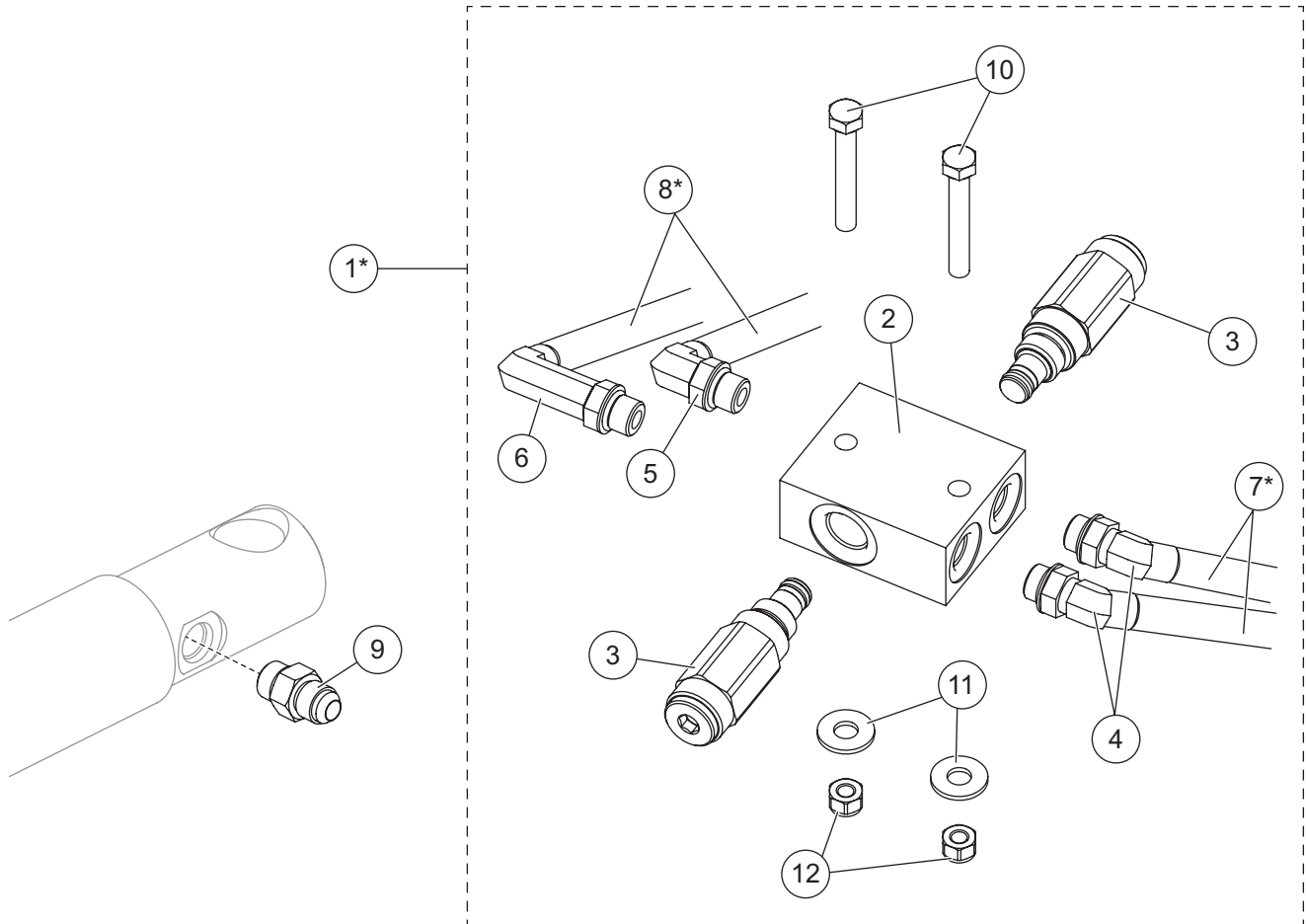
For hydraulic relief manifold and fittings, see Hydraulic Components page.

Angle Ram Components



50398 Angle Ram Assembly 1-1/2 x 10							
Item	Part	Qty	Description	Item	Part	Qty	Description
1	62290	2	Split Bearing Kit	3	29571	1	Gland Nut Assembly
2	56537	1	Spacer				

Hydraulic Components



Hydraulic Components							
Item	Part	Qty	Description	Item	Part	Qty	Description
1*	57982	1	Relief Manifold w/Valves, Fittings & Hardware	6	44361	1	Elbow, Extra Long 90° -6 M JIC/ -6 M ORB
2	57984	1	Relief Manifold	7*	57965	2	Hose, 3/8 x 84 w/F JIC Ends
3	57895	2	Relief Valve, 3300 psi	8*	44348	2	Hose, 3/8 x 42 w/F JIC Ends
4	57877	2	Elbow, Special 45° -6 M JIC/ -6 M ORB	9	49526	2	Connector, Short -6 M JIC/ -6 M ORB
5	56725	1	Elbow, 90° -6 M JIC/-6 M ORB	ns	57983	1	Hardware Bag
				ns	57893	1	1/2 Coupler Set (accessory only)
57983 Hardware Bag							
10		2	5/16-18 x 2-1/4 Hex Cap Screw G5	12		2	5/16-18 Hex Locknut
11		2	5/16 Flat Washer				
		F = Female				M = Male	
						G = Grade	

* Hoses not included in Item 1.

Copyright © 2017 Douglas Dynamics, LLC. All rights reserved. This material may not be reproduced or copied, in whole or in part, in any printed, mechanical, electronic, film or other distribution and storage media, without the written consent of Fisher Engineering. Authorization to photocopy items for internal or personal use by Fisher Engineering outlets or snowplow owner is granted.

Fisher Engineering reserves the right under its product improvement policy to change construction or design details and furnish equipment when so altered without reference to illustrations or specifications used. Fisher Engineering or the vehicle manufacturer may require or recommend optional equipment for snow removal. Do not exceed vehicle ratings with a snowplow. Fisher Engineering offers a limited warranty for all snowplows and accessories. See separately printed page for this important information. The following are registered (®) or unregistered (™) trademarks of Douglas Dynamics, LLC: FISHER®, HD2™, HDX™, SnoFoil®, STORM GUARD™, XRS™.

Printed in U.S.A.
