



ATV/MID-SIZE UTV STRAIGHT-BLADE PLOWS

PARTS EXPLOSION

2015-2016



SNOW PLOW

MAIN ASSEMBLIES		
1	Coupler Assembly w/Pins	CPA13560
2	Pushframe	STB13520
3	Pushframe Attachment Bar	STB13530
4	Blade Assembly 40" w/ Cutting Edge & Skin, ATV/UTV	STB13770
	Blade Assembly 50" w/ Cutting Edge & Skin, ATV/UTV	STB13500
4A	Blade Skin, 40", ATV/UTV	STB13774
	Blade Skin, 50", ATV/UTV	STB13505
4B	Blade Skin Top Angle 40"	STB13775
	Blade Skin Top Angle 50"	STB13669
5	Blade Mounting Bracket	STB13540

CUTTING EDGE		
6	Cutting Edge 40"	STB13773
7	Cutting Edge 50"	STB13503
	Carriage Bolt Set	BAX00034
7A	Includes: (10) Carriage Bolt 1/2" - 13 X 1-3/4", GR5	
7B	(10) Washer, 1/2" Hardened	
7C	(10) Nut, Oval Top Lock, 1/2" - 13	

KICKSTAND COMPONENTS		
8	Kit, Kickstand, Upper	MSC13671
8A	Includes: (1) Kickstand Assembly, Upper	
8B	(1) Hex Head Cap Screw, 1/2" - 13 X 6", GR5, YZN	
8C	(1) Spring, Kickstand	
8D	(1) Nut, Nylon Locking, 1/2" - 13, YZN	
9	Kit, Kickstand, Leg	MSC13672
9A	Includes: (1) Kickstand Leg Assembly, Short	
9B	(1) Kickstand Leg Assembly, Long	
9C	(1) Nut, 3/8" - 16	

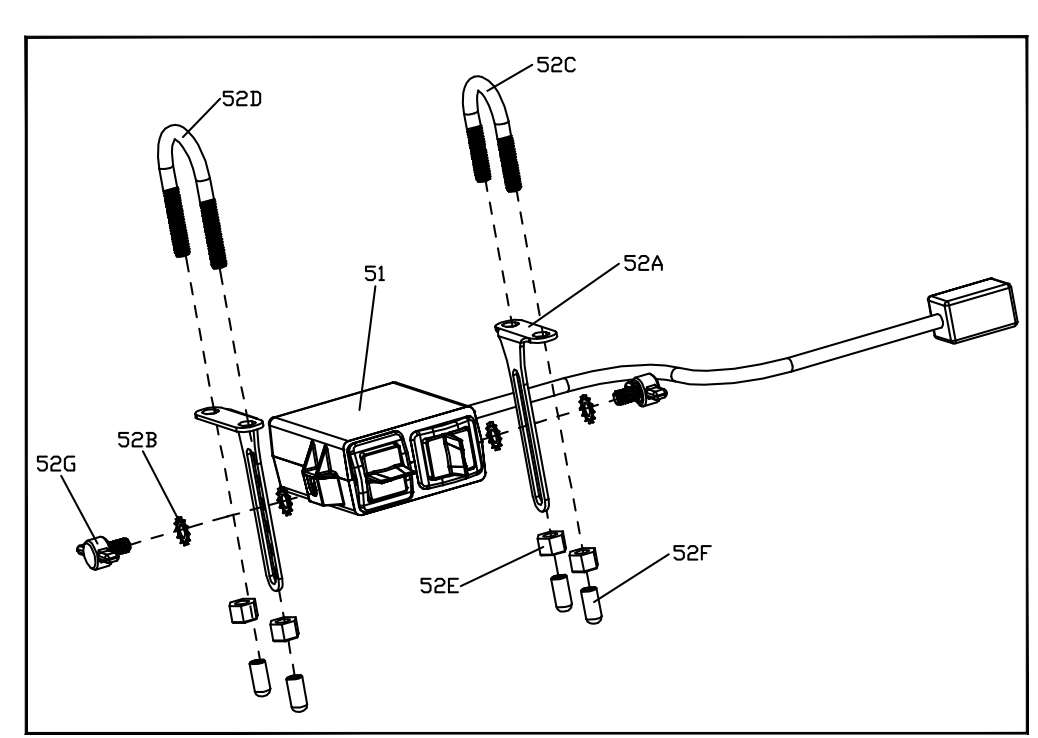
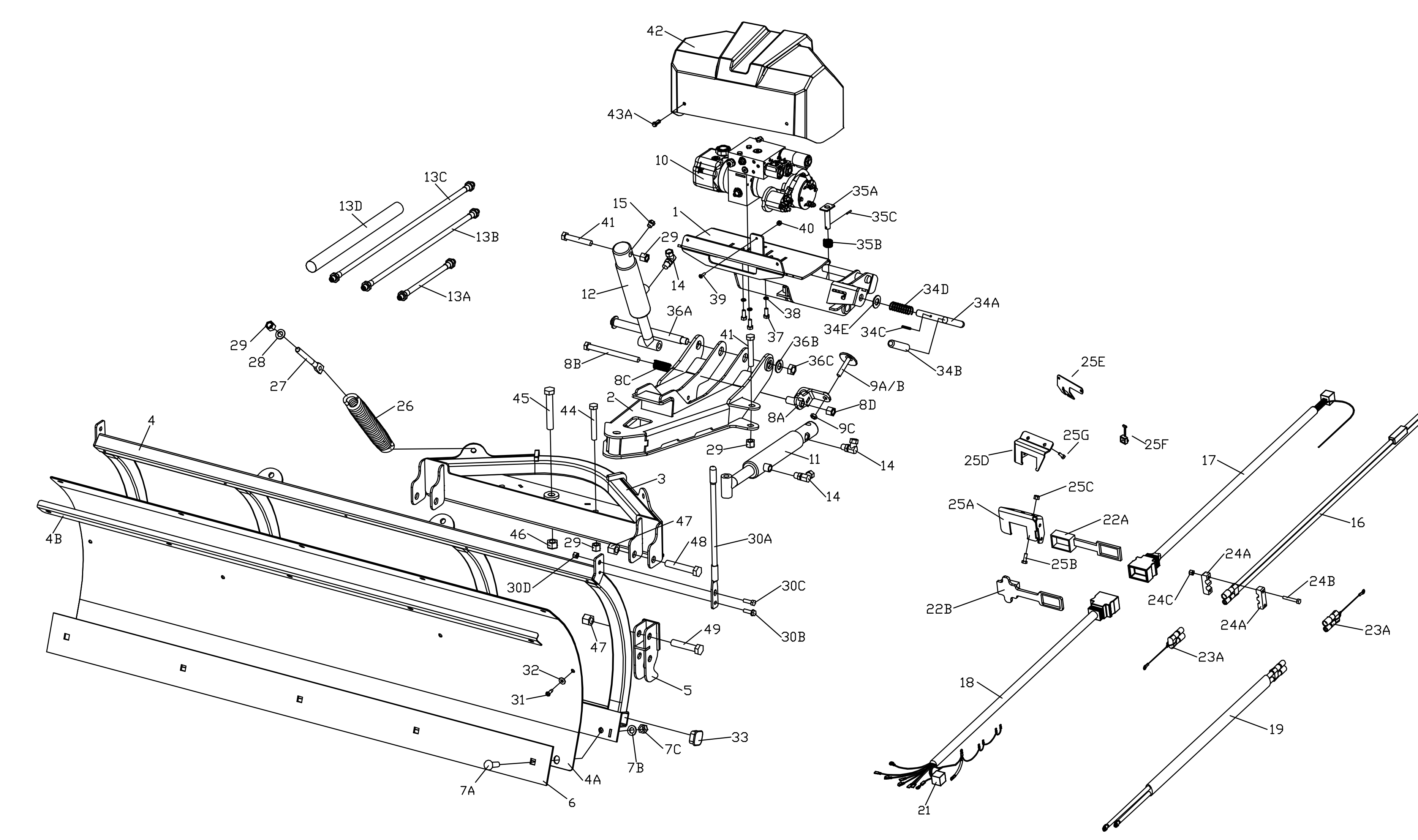
HYDRAULIC POWER UNIT		
10	Hydraulic Pump & Manifold	HYD13620
10A	Includes: Hydraulic Pump Motor	HYD12245

CYLINDERS		
11	Hydraulic Angle Cylinder	HYD13606
12	Hydraulic Lift Cylinder	HYD13605

HOSES & FITTINGS		
13	Kit, Hose Bundle	HYD13607
13A	Includes: (1) Hydraulic Hose (Lift), 1/4" X 11", (1/4" MNPT X 1/4" MNPT)	HYD13608
13B	(1) Hydraulic Hose (Angle), 1/4" X 21", (1/4" MNPT X 1/4" MNPT)	HYD13609
13C	(1) Hydraulic Hose (Angle), 1/4" X 26", (1/4" MNPT X 1/4" MNPT)	HYD13610
13D	(1) Hose Wrap, 1.2" ID X 16'	HYD13611
14	Hydraulic Swivel Fitting, 90 Degree, (3/8" MOR X 1/4" FPS)	HYD01620
15	Breather Vent Fitting, 1/4" MP	HYD07078

ELECTRICAL		
16	Power/Ground Cable 10ft, Vehicle Side	HYD13656
	Power/Ground Cable 4ft, Vehicle Side (Optional)	HYD13600
17	Control Harness, Vehicle Side	MSC13603
18	Control Harness, Plow Side	MSC13602
19	Power/Ground Cable, Plow Side	HYD13601
21	Relay, 12V	MSC04294
22	Kit, Control Harness Weather Plug & Cap	MSC04581
22A	Includes: (1) Weather Cap, Control Harness, Vehicle Side	
22B	(1) Weather Cap, Control Harness, Plow Side	
23	Kit, Power/Ground Cable Dust Cap	MSC05081
23A	Includes: (2) Dust Cap, Power/Ground	
24	Kit, Power/Ground Cable Mount Bracket w/Hardware	MSC09097
24A	Includes: (2) Mounting Bracket, Power/Ground Cable	
24B	(2) Hex Head Cap Screw, 1/4" - 20 X 1-3/4", GR5, YZN	
24C	(2) Nut, Nylon Locking, 1/4" - 20, YZN	
25	Kit, Control Harness Mounting Bracket w/Hardware, ATV	MSC13673
25A	Includes: (1) Mounting Bracket, Control Harness, ATV	
25B	(2) Hex Head Cap Screw, 1/4" - 20 X 3/4", GR5, YZN	
25C	(2) Nut, Nylon Locking, 1/4" - 20, YZN	
	Kit, Control Harness Mounting Bracket w/Hardware, ATV/UTV	MSC13695
25D	Includes: (1) Mounting Bracket, Control Harness, UTV	
25E	(1) Plug Bracket, Control Plug	
25F	(1) Weather Cap, Control Plug	
25G	(2) Screw, 1/4" - 20 X 3/8", YZN	

CONTROLLER		
50	Control Kit, ATV	MSC13700
	Includes:	
51	Switch Box Control, ATV	STB13723
52	Fastener Kit, Switch Box Control, ATV	HDW13710
52A	Includes: (2) Switch Box Control Mount Bracket	
52B	(4) Washer, 1/4" Star	
52C	(1) U-Bolt, 1/4" - 20, #04	
52D	(1) U-Bolt, 1/4" - 20, #06	
52E	(4) Nut, Nylon Locking, 1/4" - 20, YZN	
52F	(4) Rubber End Cap, 1/4"	
52G	(2) Thumb Screw, 1/4" - 20 X 1/2"	
53	Control Kit, ATV/UTV	MSC13699
	Includes:	
53A	STB Hand Held Control	STB09602
53B	Swivel Mount Kit	MSC05058

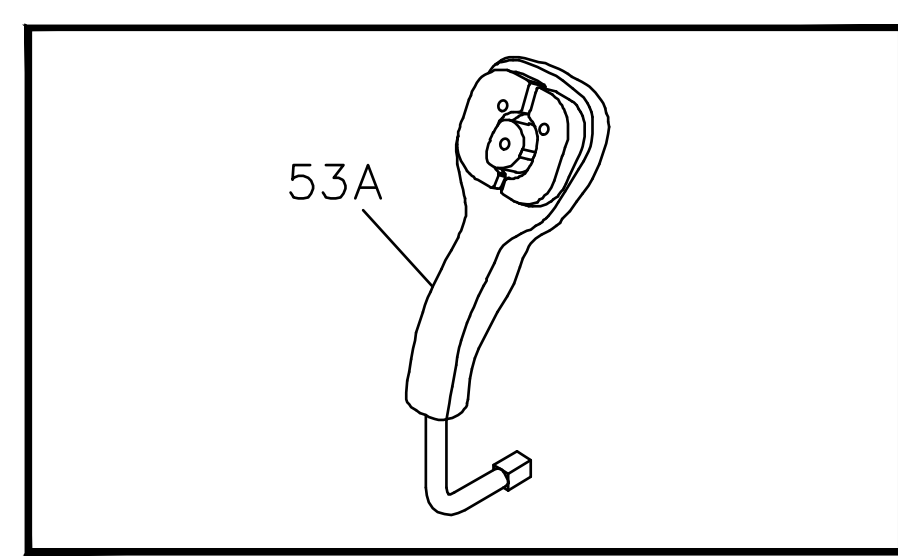


BLADE HARDWARE		
26	Spring, Trip	MSC13678
27	Spade Bolt, 1/2" X 5-1/4", YZN (Trip Spring)	HDW02004
28	Washer, 1/2" Flat, YZN (Trip Spring)	HDW01729
29	Nut, Nylon Locking, 1/2" - 13, YZN (Trip Spring and Cylinder)	HDW01748
30	Kit, Blade Guide w/Hardware	MSC13652
30A	Includes: (2) Blade Guide	
30B	(2) Hex Head Cap Screw, 5/16" - 18 X 1", Spinlock, Self Tap, GR5, YZN	
30C	(2) Hex Head Cap Screw, 5/16" - 18 X 1", GR5, YZN	
30D	(2) Nut, Nylon Locking, 5/16" - 18, YZN	
31	Screw, 1/4" - 20 X 3/4", Phillips Pan Head, Self-Tap, YZN (Blade Skin to Blade)	HDW09559
32	Washer, 1/4" Flat, YZN (Blade Skin to Blade)	HDW01750
33	End Cap	MSC09561

COUPLER HARDWARE		
34	Kit, Coupler Attachment Pin	MSC13674
34A	Includes: (1) Coupler Attach Pin	
34B	(1) Coupler Attach Pin Grip	
34C	(1) Roll Pin, 3/16" X 1-5/8"	
34D	(1) Spring, Attach Pin	
34E	(1) Washer, 5/8" Flat, YZN	
35	Kit, Coupler Plunger Pin	MSC13675
35A	Includes: (1) Coupler Plunger	
35B	(1) Spring, Plunger Pin	
35C	(1) Roll Pin, 1/8" X 3/4"	
36	Kit, Pivot Pin (Coupler to Pushframe)	MSC13676
36A	Includes: (1) Pivot Pin	
36B	(1) Washer, 5/8" Flat, YZN	
36C	(1) Nut, Jam, Oval Top Lock, 5/8" - 11, YZN	
37	Hex Head Cap Screw, 5/16" - 18 X 3/4", GR5, YZN (Power Unit to Coupler)	HDW07987
38	Washer, 5/16" Split Lock, YZN (Power Unit to Coupler)	HDW07988
39	Bolt, #10 - 32 X 3/4" Phillips Pan Head (Relay Tab to Coupler)	HDW14438
40	Nut, Nylon Locking, #10 - 32 (Relay Tab to Coupler)	HDW05856
41	Hex Head Cap Screw, 1/2" - 13 X 3", GR5, YZN (Cylinder to Coupler and Pushframe)	HDW05508
42	Coupler Cover w/Decals	MSC13668
43	Plastic Rivet Kit, Tuflok	MSC13677
43A	Includes: (10) Plastic Rivet, Tuflok	

PUSHFRAME/PUSHFRAME ATTACHMENT BAR HARDWARE		
44	Hex Head Cap Screw, 1/2" - 13 X 3-1/2", GR5, YZN (Cylinder to Pushframe Att. Bar)	HDW01779
45	Hex Head Cap Screw, 5/8" - 11 X 4", GR5, YZN (Pushframe to Pushframe Att. Bar)	HDW01706
46	Nut, Oval Top Lock, 5/8" - 11, YZN (Pushframe to Pushframe Att. Bar)	HDW01709
47	Nut, Nylon Locking, 5/8" - 11, YZN (Blade to Pushframe Att. Bar and Mount Bracket)	HDW05619
48	Hex Head Cap Screw, 5/8" - 11 X 3-1/2", GR5, YZN (Blade to Pushframe Att. Bar)	HDW01707
49	Hex Head Cap Screw, 5/8" - 11 X 3", GR5, YZN (Blade to Mount Bracket)	HDW05608

OPTIONS & ACCESSORIES		
	Dielectric Grease (1 oz.)	MSC03423
	(2) Boss High Performance Hydraulic Fluid - 1 Quart	HYD01835
	Boss High Performance Hydraulic Fluid - Case (12 Quarts per) - Optional	HYD01704



SLS13670-2

BOSS Products reserves the right under its continuous product improvement policy to change construction or design details and furnish equipment when so altered without reference to illustrations or specifications used herein.

Patent: www.ttcopats.com

