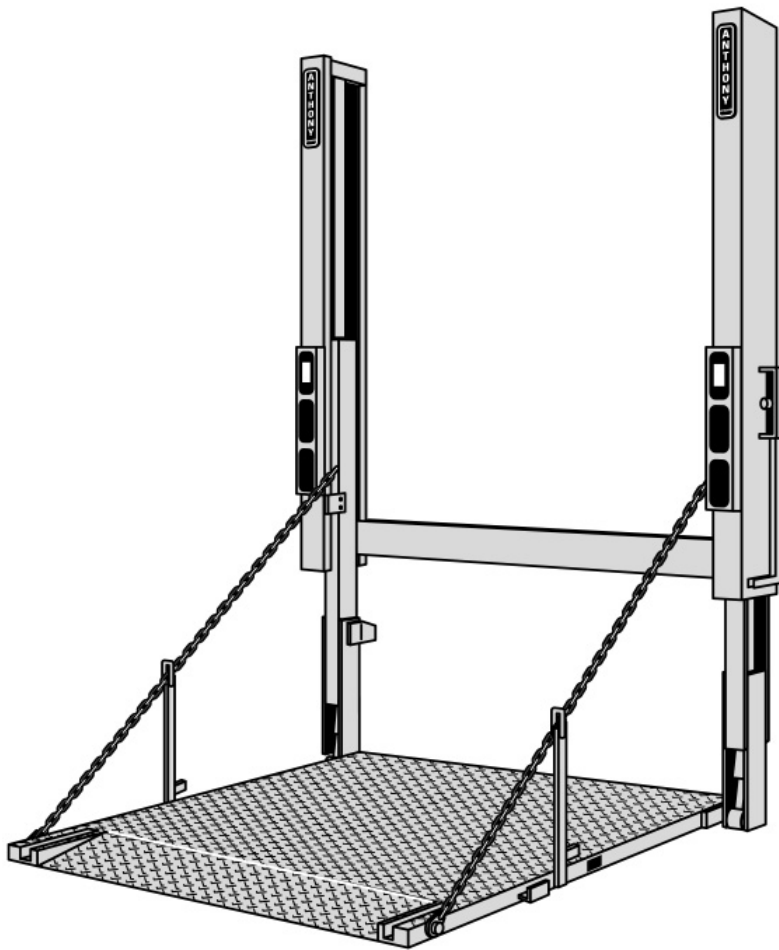


**ANTHONY LIFTGATES, INC.**

KEEP IN VEHICLE WITH LIFTGATE

# PARTS MANUAL

For Magnum RailTrac® Hydraulic Liftgates



## MODELS

MRT-3500  
MRT-3500-BH  
MRT-3500-GB  
MRT-4500  
MRT-4500-BH  
MRT-4500-GB  
MRT-5500  
MRT-5500-BH  
MRT-6500  
MRT-6500-BH

**ANTHONY**  
**LIFTGATES, INC.®**

Anthony Liftgates, Inc.  
1037 W. Howard Street • P.O. Box 615 • Pontiac, IL 61764-0615  
Ph: 815.842.3383 • Fax: 815.844.3612 • Toll Free: 800.482.0003  
[www.anthonyliftgates.com](http://www.anthonyliftgates.com)

<b>Safety</b> .....	3
Safety Is Your Responsibility .....	3
<b>General Information</b> .....	3
Ordering Parts .....	3
Contact Information .....	3
<b>Decals</b> .....	4
<b>Serviceable Parts for Gas Bottle Versions</b> .	6
Main Platform Assembly .....	7
Aluminum Retention Ramp .....	8
Runner Weldment (Curbside) .....	10
Column Weldment (Curbside) .....	12
Runner Weldment (Streetside) .....	16
Column Weldment (Streetside) .....	18
Rail Extension Assembly .....	22
Hydraulic Cylinder and Hydraulic Lines . . .	23
Power Pack Enclosure .....	24
Power Pack and Lines (Gravity Down) . . .	26
Power Pack and Lines (Power Down) . . . .	28
<b>Serviceable Parts for Standard Versions</b> .	<b>30</b>
Main Platform Assembly .....	30
Main Platform Assembly (Gas Bottle Option) .....	32
Main Platform Assembly (Pop-Up Cart Stop) .....	34
Runner Weldment (Curbside) .....	36
Column Weldment (Curbside) .....	38
Runner Weldment (Streetside) .....	42
Column Weldment (Streetside) .....	44
Hydraulic Cylinder and Hydraulic Lines . . .	48
Extension Assembly .....	49
Power Pack and Battery Enclosure .....	50
Power Pack Enclosure .....	52
Power Pack and Lines (Gravity Down) . . .	54
Power Pack and Lines (Power Down) . . . .	56
Power Pack Assembly (Gravity and Power Down) .....	58
Battery Enclosure .....	60
Switch and Wiring Harness Assemblies . . .	61
Taillight Assemblies .....	62
Low Voltage Switch and Wiring Harness . . .	64
Control Box Assemblies .....	65
Complete Itemized Parts List .....	66

Congratulations on selecting an Anthony Liftgate. Anthony Liftgates are among the finest liftgates available on the market today, and to ensure your liftgate will perform to your expectations, we have provided the following manuals designed to provide you with the necessary instructions and safety precautions to install and operate the standard, bed height (BH), or gas bottle (GB) models of Anthony Liftgates:

1. Installation, Operation, Troubleshooting, and Maintenance manual for MRT Model Magnum RailTrac Liftgates, Form Number AR-IO-04/08.
2. Parts manual for MRT Model Magnum RailTrac Liftgates, Form Number AR-P-08/09.


This Parts Manual contains part numbers for past and present Anthony Liftgates. The parts illustrated in the parts drawings are representative of typical parts used in the actual Magnum RailTrac Liftgate and may not look exactly like the part(s) on your liftgate. Part numbers and drawings are subject to change without notice. At the bottom of each page is the Anthony Liftgates Inc. Product Support phone number.

All Anthony Magnum RailTrac model liftgates are factory assembled, tested, and energized to assure the highest quality performance standards. Liftgates are shipped completely assembled for fast, clean, and easy installation.

**Note: Some special purpose platforms and liftgates use special parts that may not be listed in this manual.  
Contact the factory for exact items if not shown.**

## Safety Is Your Responsibility

**⚠ DANGER**




To avoid personal injury or death, carefully read and understand all instructions pertaining to the Anthony Liftgates product. Do not attempt to install, operate, or maintain our product without fully understanding all our instructions and safety precautions. Do not operate or work on a truck or liftgate unless you have read and understand all of the instructions and warnings in the MTU-GLR Installation, Operation, and Maintenance manual. If any doubt or question arises about the correct or safe method of performing anything found in this or other manuals from Anthony Liftgates, contact your Anthony Liftgates dealer or call the Inside Sales and Service representatives at our main headquarters (815-842-3383). Proper care is your responsibility.

Anthony Liftgates cannot anticipate every possible circumstance that might involve a potential hazard. The warnings in this manual and on the product itself are, therefore, not all inclusive. If tools, procedures, work methods, or operating techniques that are not specifically mentioned by Anthony Liftgates are used, you must satisfy yourself that it is safe for you and for others.

Make sure the product or truck the liftgate is mounted onto will not be damaged or made unsafe by any operation, lubrication, maintenance, or repair procedures that you choose.

DO NOT proceed if any doubt arises about the correct or safe method of performing anything found in this or other Anthony Liftgates manuals. Seek out expert assistance from a qualified person before continuing.

**⚠ DANGER**



Most accidents involving the operation, maintenance, or repair of products made by Anthony Liftgates occur because the owner/operator failed to observe basic safety rules or operating instructions. An accident can often be avoided by being alert and recognizing potentially hazardous situations. Any individuals operating, maintaining, or repairing products manufactured by Anthony Liftgates should have the necessary training, skills, and tools required to perform the functions properly and safely. The safety information in this manual serves as a basic guide in an attempt to prevent injury or death.

## Ordering Parts

We manufacture a quality liftgate that requires very little maintenance or repair. However, should a part break or become damaged, our knowledgeable staff can make sure you receive the part(s) to put your liftgate back into operation.

## Contact Information

For replacement decals, questions, or to order parts, contact:

**Anthony Liftgates, Inc.**  
**1037 West Howard Street**  
**Pontiac, Illinois 61764**  
**(815) 842-3383**  
[www.anthonyliftgates.com](http://www.anthonyliftgates.com)

# Decals

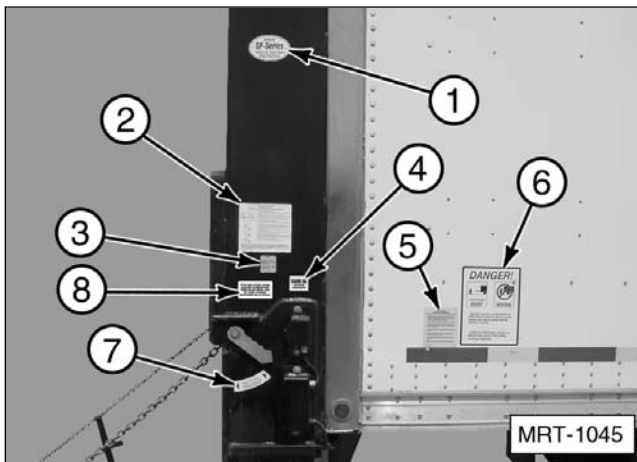
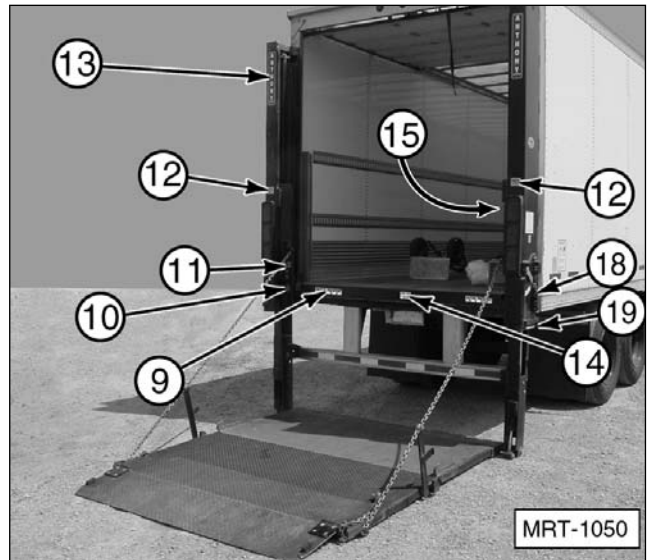
**⚠ DANGER**

Make sure all decals are attached to the liftgate and/or truck and are legible at all times.

Safety decals provide a vital role in helping to reduce injuries and/or possibly even death. To ensure the greatest level of safety, all decals must be in place and legible at all times. Remember, it is the users responsibility to maintain these decals.

For replacement decals contact:  
**Anthony Liftgates, Inc.**  
**1037 West Howard Street**  
**Pontiac, Illinois 61764**  
**(815) 842-3383**  
**Web: [www.anthonyliftgates.com](http://www.anthonyliftgates.com)**  
**Email: [Sales@anthonyliftgates.com](mailto:Sales@anthonyliftgates.com)**

All decals must be in place and legible or all warranties are void.



Medium Railtrac Liftgate Safety Decals				
Item	Part No.	Description	Qty	Remarks
1	A-131003	Anthony SF-Series Decal	2	Applied to outside of each column.
2	A-176566	Operating Instructions Decal	1	Applied near "full function" control switch(es) (near top of taillights).
3	A-131017	Note: Disengage/Engage Latch	2	Applied near "full function" control switch(es) (below operating instructions).
4	ATU-177	Maximum Capacity (3500 lbs.) (3500 models only)	1	Applied just above "full function" control switch(es).
	A-131024	Maximum Capacity (4500 lbs.) (4500 models only)	1	Applied just above "full function" control switch(es).
	A-131010	Maximum Capacity (5500 lbs.) (5500 models only)	1	Applied just above "full function" control switch(es).
	A-131025	Maximum Capacity (6500 lbs.) (6500 models only)	1	Applied just above "full function" control switch(es).
5	Q-003013	Urgent Warning Decal	1	Applied to rear, curb side of truck body (or trailer), where it is visible to the operator while operating the liftgate.
6	A-146982	Danger: Clearance Decal	1	Applied to rear, curb side of truck body (or trailer), where it is visible to the operator while operating the liftgate.
7	A-131006	Runner Latch Decal	2	Applied to outside of each column, below each runner latch.
	A-131044	Runner Latch Decal	2	Applied to outside of each column, below each runner latch. Used on bed height models.
8	ATU-141	After Using Liftgate Decal	1	Applied to outside of each column, above each latch.
9	AR-18-76	Caution: Pinch Point Decal	1	Applied on rear sill member, near bottom of truck body (or trailer) at pinch point.
10	—	Serial Number Plate	1	Applied to inside of street-side column.
11	A-131028	Weld Warning Decal	1	Applied to inside of street-side column.
12	A-150238	Notice - This liftgate is protected...	2	Applied to rear of each column, just above taillights.
13	A-131013	Anthony Decal	1	Applied to top, rear of each column.
14	ATU-146	Stand Clear/Do Not Ride Decal	2	Applied to center of rear sill member of truck body (or trailer).
15	A-131026	Manufactured With ZLC	1	Applied to inside of curb side column.
16	ATU-424	Reset Circuit Breaker (not shown)	1	On circuit breaker bracket.
17	ATU-424	Decal, WARNING	2	On side of battery box and on circuit breaker bracket.
	A-131036	Decal, WARNING	1	On main power cable.
18	A-171447	Up, Down, Open and Close	1	Applied to control switch.
19	A-131047	Runner must be above this line...	1	On curbside rail.
20	A-131030	Decal (platform open/close speed)	1	—
21	—	Decal, NOTICE! DEXTRON (ONLY)	1	Applied to pump reservoir.
22	—	Decal, Mobile Oil Usage	1	Applied to pump reservoir.

# Serviceable Parts for Gas Bottle Versions

## MRT-3500GB-SF

## MRT-4500GB-SF

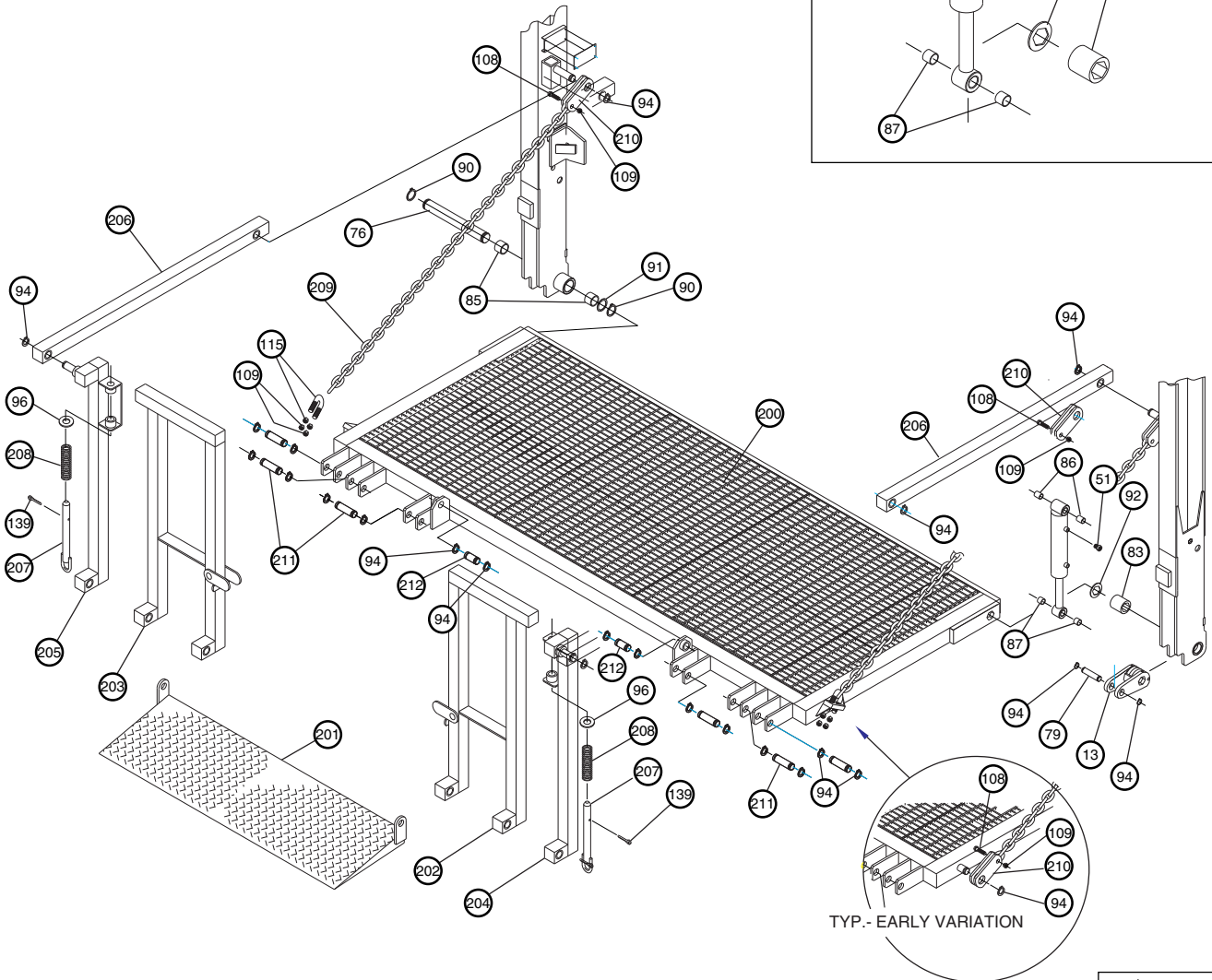
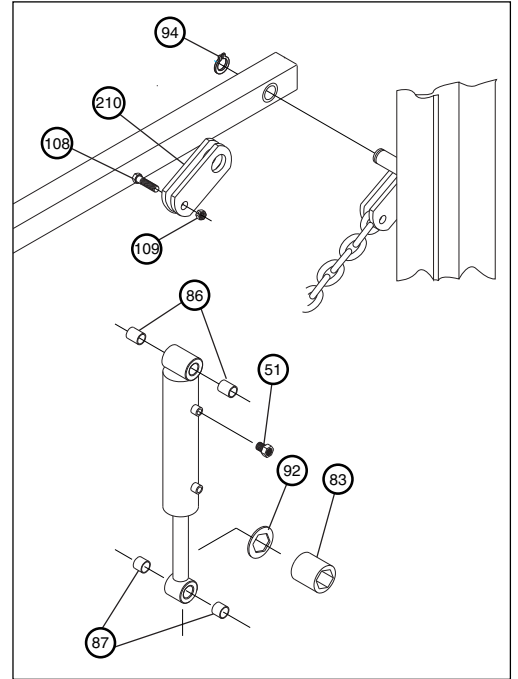
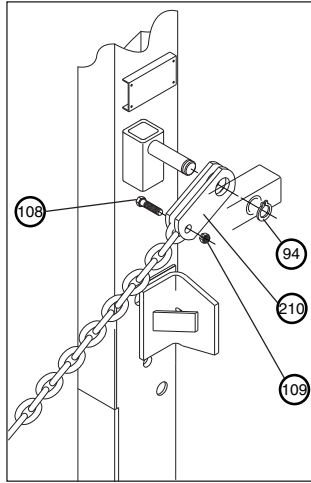
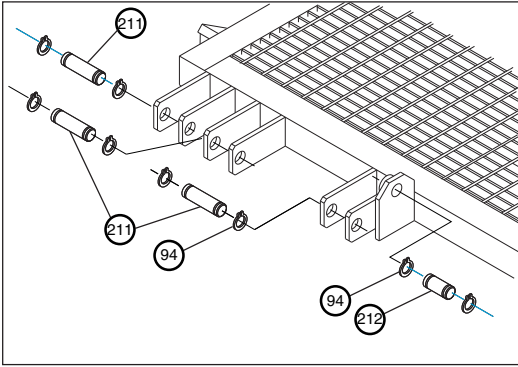
### Main Platform Assembly

MRT-3500/4500GB-SF

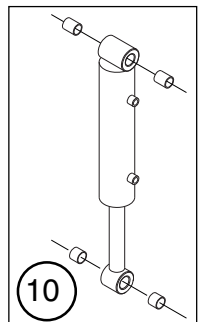
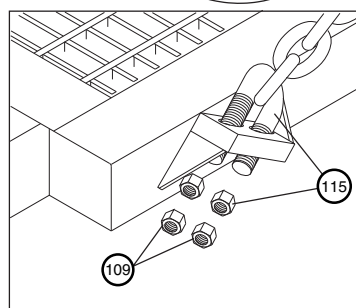
Item	Part No.	Description	Quantity
10	A-130180	Closer Cylinder Assembly (#6 SAE port, 3/8 NPT vent port) - Includes items 86 and 87	1
13	A-176429	Closer Clevis Weldment	1
51	A-130017	Plug, Vented, 3/8 NPT	1
76	A-176458	Pin, Runner Hinge - Left Runner, 1-1/2" Dia.	1
79	A-176453	Pin, Closer Clevis - 1" Dia. (lower), 3-1/8" Long	1
83	A-176481	Hex Bushing, Long, 1-3/4" O.D. X 2-3/4" Long	1
85	A-176501	Bushing, Lower, 1-1/2" I.D., 2" O.D. X 2" Long	2
86	ATU-426	Bushing, Upper, 1" I.D., 1-1/4" O.D. X 1" Long	2
87	ATU-429	Bushing, Lower, 1" I.D., 1-1/4" O.D. X 3/4" Long	2
90	A-176066	1-1/2" Retaining Ring (snap ring)	2
91	757026	1-1/2" Flat Washer, 1-1/2" I.D. (used as shim-spacer, maximum 8 each)	8
92	A-176711	1-1/2" Hex Washer (used as shim-spacer on R/H, <i>Curbside</i> , maximum 8 each)	8
94	A-150060	1" Retaining Ring (snap ring)	Varies
96	A-171219	1" Flat Washer ( <i>Gas Bottle Models Only</i> )	2
108	A-171249	Bolt, 3/8-24 NF 1-1/2" Long, Grade 8	2/4
109	2184	Locknut, 3/8-24 NF	4/10
115	A-132042	U-Bolt, 3/8-24 NF - Includes Two Nuts (stainless steel)	2
139	AR-18-69	Cotter Pin, 3/16" X 1 3/4" Long	2
200	A-176732	39" Deep X 80" Wide (MRT Standard Body-Width Version)	Specify One
	A-176759	39" Deep X 86" Wide (MRT 102" Body-Width Version)	
201		Folding Retention Ramp, 16" Deep - Tread Plate ( <i>MRT Gas Bottle Models, 3500 and 4500 lb. capacities</i> )	
	A-176716	MRT Standard Body-Width Version (steel weldment)	Specify One
	A-176835	MRT Standard Body-Width Version (aluminum sheet)	
	A-171836	MRT 102" Body-Width Version (aluminum sheet)	
202	A-171233	Rear Rack, <i>Curbside</i>	1
203	A-171234	Rear Rack, <i>Streetside</i>	1
204	A-171224	Vertical Tube Weldment, <i>Curbside</i>	1
205	A-171225	Vertical Tube Weldment, <i>Streetside</i>	1
206	A-171213	Fence (banister) Tube Weldment	2
207	A-171223	Latch Pin Weldment	2
208	A-171220	Spring (compression), Latch Pin	2
209	A-171209	Chain, 9/32", Grade 80 X 40" Long ( <i>For All Gas Bottle Models</i> )	2
210	A-176075	Shackle, Chain Lug Plate ( <i>For All Gas Bottle Models</i> )	2/4
211	A-146834	Pin, 1" Dia.	6
212	A-171242	Pin, Ramp, 1" Dia. (use with item 201 A-176716 folding retention ramp only)	2

# Main Platform Assembly

MRT-3500/4500GB-SF



TYP. - EARLY VARIATION



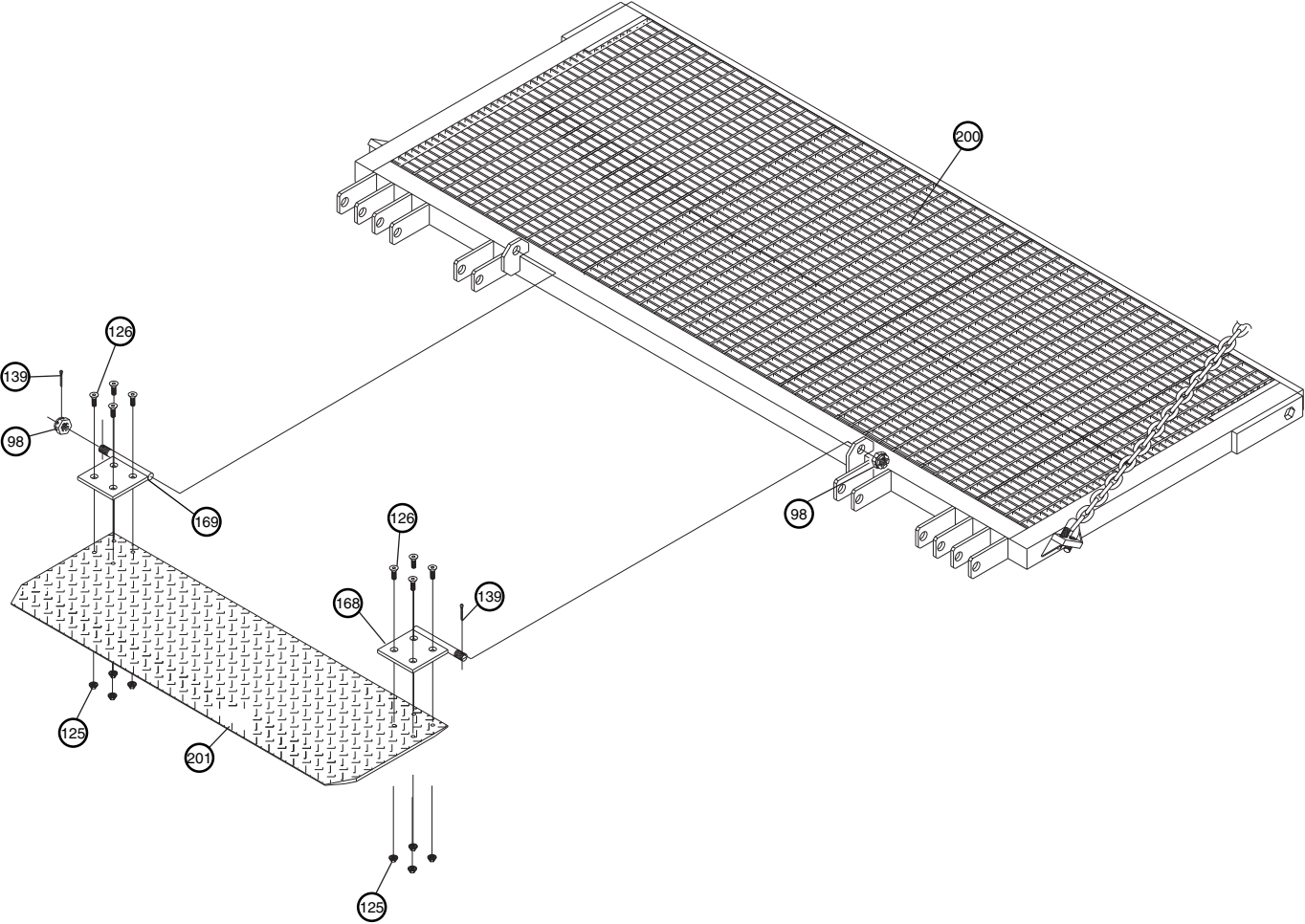
1001

<i>Item</i>	<i>Part No.</i>	<i>Description</i>	<i>Quantity</i>
98	A-132010	3/4" Nut, 3/4-10 NC, Slotted Nut (castle nut)	2
125	2114	Nut, Hex, 5/16-18 NC Whiz-Lock™ (serrated flange lock)	8
126	AR-18-66	Screw, C-S, Allen, 5/16-18 NC X 1-1/4" Long	8
139	AR-18-69	Cotter Pin, 3/16" X 1 3/4" Long	2
168	ATU-638	Hinge Pin Weldment - Right, <i>Curbside</i>	1
169	ATU-639	Hinge Pin Weldment - Left, <i>Streetside (Gas Bottle Models Only)</i>	1
200	A-176732	39" Deep X 80" Wide (MRT Standard Body-Width Version)	Specify One
	A-176759	39" Deep X 86" Wide (MRT 102" Body-Width Version)	
201		Folding Retention Ramp, 16" Deep - Tread Plate ( <i>MRT Gas Bottle Models, 3500 and 4500 lb. capacities</i> )	Specify One
	A-176716	MRT Standard Body-Width Version (steel weldment)	
	A-176835	MRT Standard Body-Width Version (aluminum sheet)	
	A-171836	MRT 102" Body-Width Version (aluminum sheet)	



# Aluminum Retention Ramp

MRT-3500/4500GB-SF

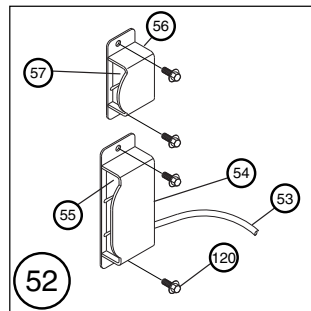
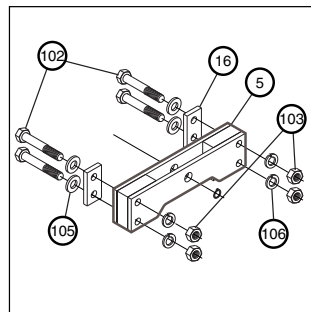
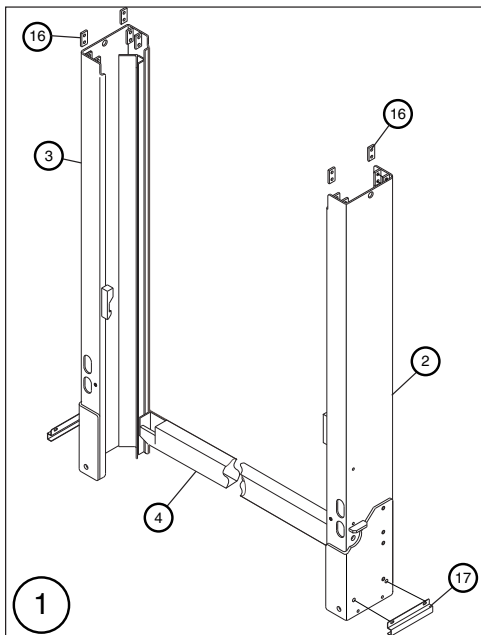
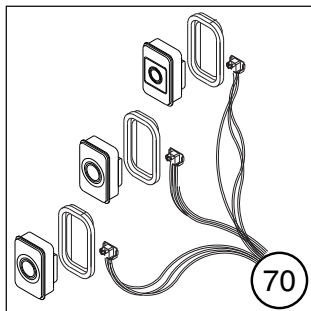
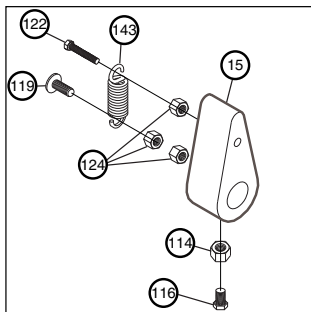
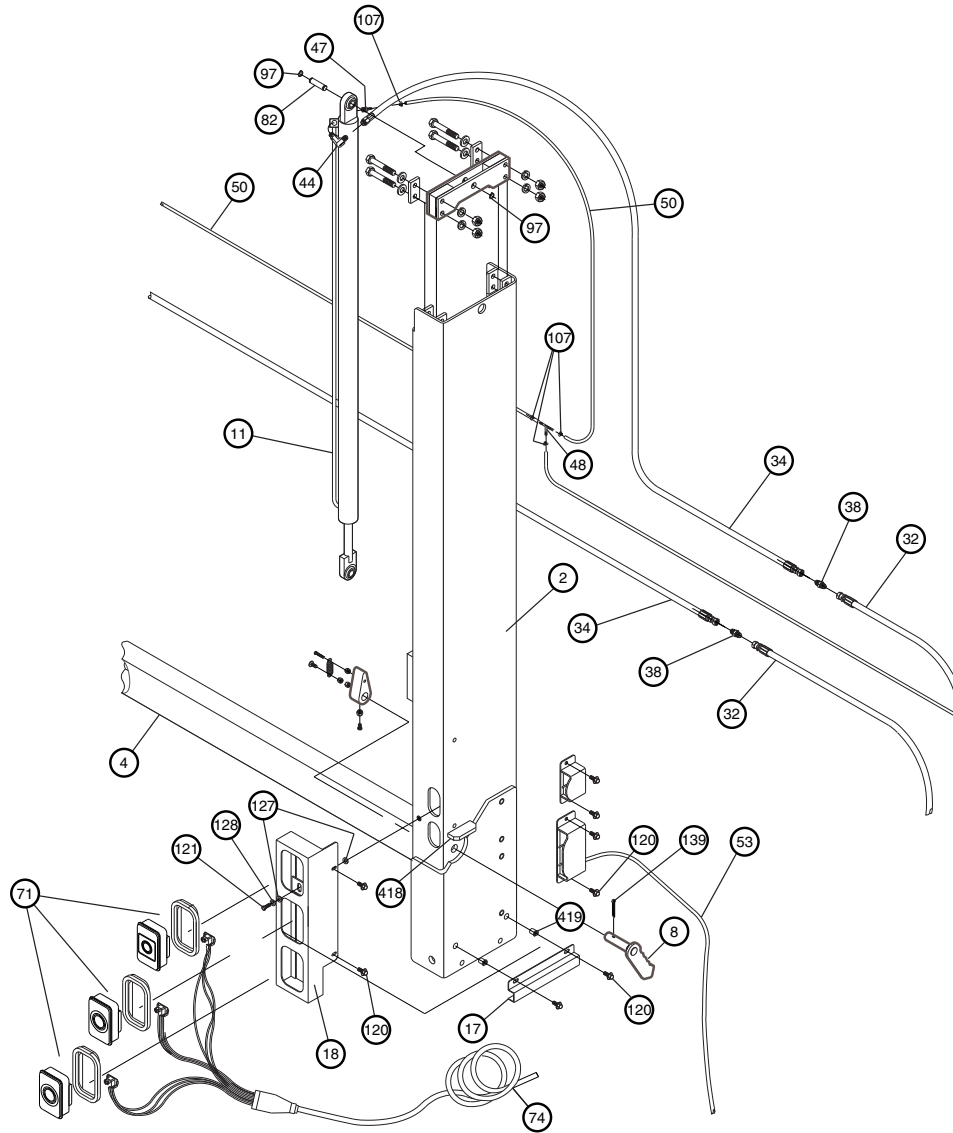


Item	Part No.	Description	Quantity
6	A-176730	Runner Weldment, <i>Curbside</i>	1
10	A-130180	Closer Cylinder Assembly (#6 SAE pressure port, 3/8 NPT vent port) - Includes Items 86 and 87	1
13	A-176429	Closer Clevis Weldment	1
14	A-176474	Runner Guide Weldment	1
35	A-130188	Hydraulic Hose Assembly - 1/4" X 12 ft. Long, Closer Cylinder	1
43	A-130140	Fitting, 90° Elbow, Male JIC #6 X Male SAE #6	1
51	A-130017	Plug, Vented, 3/8 NPT	1
59	A-133103	Switch and Wire Harness, Gravity-Down (epoxy-potted assembly)	Specify One
	A-133104	Switch and Wire Harness, Power-Down (epoxy-potted assembly)	
60	A-133107	Runner Switchbox Assembly (gravity-down control) - Unit Assembly	Specify One
	A-133108	Runner Switchbox Assembly (power-down control) - Unit Assembly	
61	A-133100	Wire, Column Control Cable	1
77	A-176457	Pin, Runner Hinge, 1-1/4" Hexagonal	1
79	A-176453	Pin, Closer Clevis - 1" Dia. (lower), 3-1/8" Long	1
80	A-176456	Pin, Upper - Closer Cylinder, 1" Dia., 5-1/16" Long	1
81	A-176459	Pin, Lower - Lift Cylinder, 3/4" Dia., 3,500 and 4,500 lb. Capacity	1
83	A-176481	Hex Bushing, Long, 1-3/4" O.D. X 2-3/4" Long	1
84	A-176482	Hex Bushing, Short, 1-3/4" O.D. X 3/4" Long	1
86	ATU-426	Bushing, Upper, 1" I.D., 1-1/4" O.D. X 1" Long	2
87	ATU-429	Bushing, Lower, 1" I.D., 1-1/4" O.D. X 3/4" Long	2
88	A-176472	Wear Strip, Upper, 6" Long (plastic) - All Models	4
89	A-176471	Wear Strip, Lower, 36" Long (plastic) - <i>Prior to June 01, 1999</i>	Specify 2
	A-176766	Wear Strip, Lower, 29-1/4" Long (plastic) - <i>Models after June, 1999</i>	
92	A-176711	1-1/2" Hex Washer (used as shim-spacer on <i>Curbside</i> , maximum 8 each)	8
94	A-150060	1" Retaining Ring (snap ring)	4
97	473	3/4" Retaining Ring (snap ring)	2
101	A-150072	Bolt, 1/2-13 NC X 1 1/2" Long, Grade 8	2
105	A-150065	Flat Washer, 1/2" SAE	2
106	1691	Lockwasher, 1/2" (helical)	2
129	ATU-358	Bolt, 1/4-20 NC X 2" Long	2
134	S-016001	Lockwasher, 1/4"	2
135	A-132084	Rivet, 1/4"	20
138	ATU-344	Snap Pin, 1/4"	2
141	2001	Screw, #10-32 X 1/2" Long	4
142	A-132071	Nut, Hex #10-32 Nylok™ (stainless steel)	4
148	A-176838	Cord Carrier, Flexible Guard (plastic)	1
149	A-176839	Mounting Bracket Set (two-piece)	1 Set



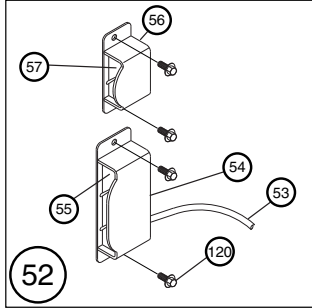
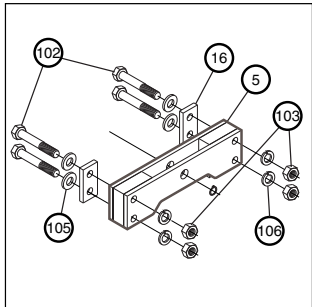
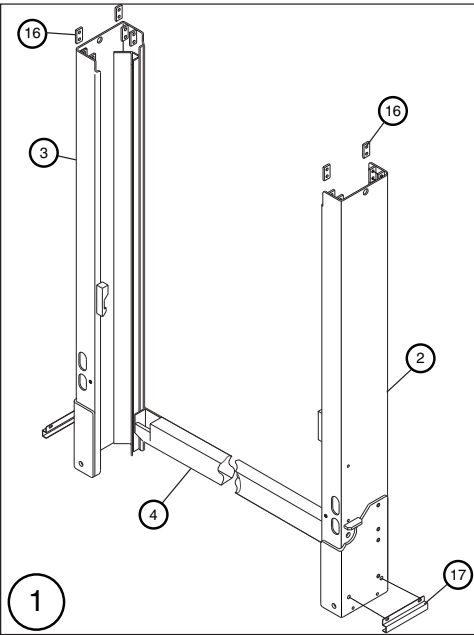
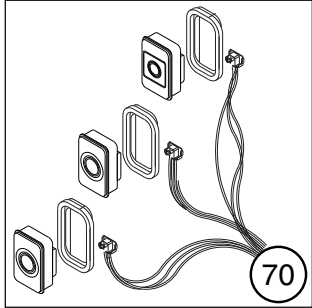
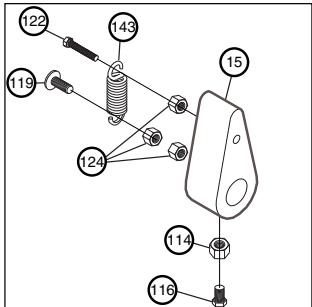
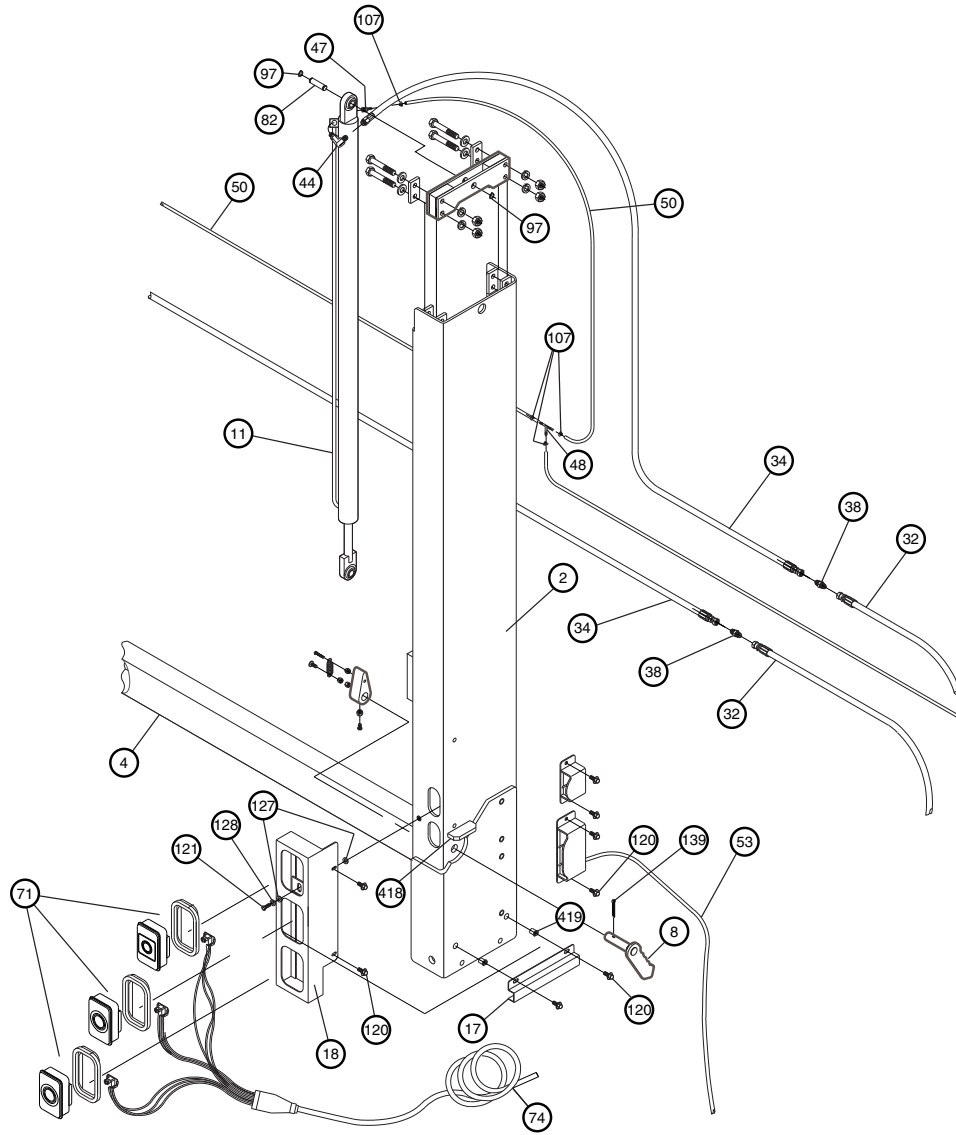
Item	Part No.	Description	Quantity
1	A-176548	H-Frame Weldment, Standard (96") Width - Includes Items (2), (3), (4), (16), and (17)	Specify One
	A-176549	H-Frame Weldment (102") Width - Includes Items (2), (3), (4), (16), and (17)	
2	A-176402	Column Weldment, <i>Curbside</i> - Includes A-176811 (item 417)	1
3	A-176403	Column Weldment, <i>Streetside</i>	1
4	A-176745	Floor Extension Cross-Member Weldment, 96" Wide ( <i>standard</i> )	Specify One
	A-176746	Floor Extension Cross-Member Weldment, 102" Wide	
5	A-176737	Cylinder Mount Weldment ( <i>Gas Bottle Models Only</i> )	1
8	A-176499	Handle, Latch Weldment, <i>Curbside</i>	1
11	A-130181	Lift Cylinder Assembly (#6 SAE ports)	1
15	A-176493	Latch Block	1
16	A-176109	Spacer Block	1
17	A-176490	Wire Guard Channel	1
18	A-176824	Light Bracket (bolt-on), Two "Round" Hole - <i>Curbside</i>	Specify One
	A-176826	Light Bracket (bolt-on), Three "Round" Hole - <i>Curbside</i>	
	A-176826	Light Bracket (bolt-on), Three "Rectangular" Hole - <i>Curbside</i>	
32	A-130222	Hydraulic Hose Assembly - 3/8", Female JIC #6, 10 ft. Long	2
34	A-130196	Hydraulic Hose Assembly - 3/8" (high-pressure) (old)	2
	A-130251	Hydraulic Hose Assembly - 1/2" (high-pressure) (new)	
38	A-130198	Fitting, Straight Adapter, Male JIC #6 X Male SAE #6	2
44	A-130197	Fitting, 90° Elbow, Male JIC #6 X Male SAE #6, Extended Leg	1
47	A-130244	Fitting, Male SAE #6 X 1/4" Hose Barb (was A-130155, Gravity-Down)	1
48	A-130015	Fitting, Tee, 1/4" Hose Barb (gravity-down models only)	1
50	A-130009	Hose Vent - 24 ft. Long (wire reinforced) This item may be cut to (12 feet or 20 feet) length as required	1
52	A-176764	Switch Assembly (gravity-down control) - Unit Assembly (column box)	Specify One
	A-133160	Switch Assembly (power-down control) - Unit Assembly (column box)	
53	A-133102	Switch and Wire Harness, Gravity-Down (epoxy-potted assembly)	Specify One
	(Call Factory)	Switch and Wire Harness, Power-Down (epoxy-potted assembly)	
54	A-176700	Control Box Weldment - Column (full function), Gravity-Down	Specify One
	A-176793	Control Box Weldment - Column (full function), Power-Down	
55	A-176703	Switch Mounting Panel, Gravity-Down and Power-Down (lower box)	1
56	A-176780	Control Box Weldment, Power-Down (upper box)	1
57	AR-18-235	Switch Mounting Panel, Power-Down (upper box)	1
70	Specify with order	Lighting Kit - Standard (incandescent lamp). Specify Usage - Trailer or Truck - Three (3) per side	Specify Two <i>Curbside and Streetside</i>
	Specify with order	Lighting Kit - LED Type. Specify Usage - Trailer, Specify Two (2) or Three (3) per side, or Truck - Three (3) per side. <b>Note:</b> Lighting Kits include the proper Light Bracket (Item Nos. 18 and 19) as specified. (Also refer to page 66, Taillight Assemblies).	
71	A-133020	Light, Red Taillight - Stop and Turn Indicator With Grommet, Rectangular	Specify Qty.
	A-133064	Light, Red Taillight - Stop and Turn Indicator With Grommet, Round (LED)	
74	A-133019	Wire Harness, Taillight, <i>Curbside</i> - Trucks (6 ft. length)	Specify One
	A-133024	Wire Harness, Taillight, <i>Curbside</i> - Trailers (12 ft. length)	
82	A-176813	Pin, Upper - Lift Cylinder, 3/4" Dia., 3,500 and 4,500 lb. Capacity	1

Parts list is continued on next page.



1005

<i>Item</i>	<i>Part No.</i>	<i>Description</i>	<i>Quantity</i>
17	A-176490	Wire Guard Channel	2
97	473	3/4" Retaining Ring (snap ring)	2
102	A-132019	Bolt, 1/2-13 NC X 4" Long, Grade 8 (replaces item A-176546, 3-1/2" long)	4
103	3139	Hex Nut, 1/2-13 NC	4
105	A-150065	Flat Washer, 1/2" SAE	4
106	1691	Lockwasher, 1/2" (helical)	4
107	A-170260	Hose Clamp (stainless steel)	4
114	A-132018	Set Screw, 3/8-16 NC X 1" Long	1
116	P-162	Nut, Hex, 3/8-16	1
119	S-117001	Bolt, Button, Allen Head, 5/16-18 NC X 1-1/2" Long (stainless steel)	1
120	2145	Bolt, 5/16-18 NC X 1" Long, Whiz-Lock™	4
121	870	Bolt, 5/16-18 NC X 1-1/4" Long	1
122	869	Bolt, 5/16-18 NC X 2" Long	1
124	4164	Nut, 5/16-18 NC (runner latch)	3
127	2110	Flat Washer, 5/16"	2
128	6611	Lockwasher, 5/16" (helical)	1
139	AR-18-69	Cotter Pin, 3/16" X 1 3/4" Long	1
143	A-176497	Spring (extension), Latch	1
418	A-176811	Latch Guard (weld-assembly component replacement repair part)	1
419	A-132099	Threaded Insert, 5/16-18 NC	2



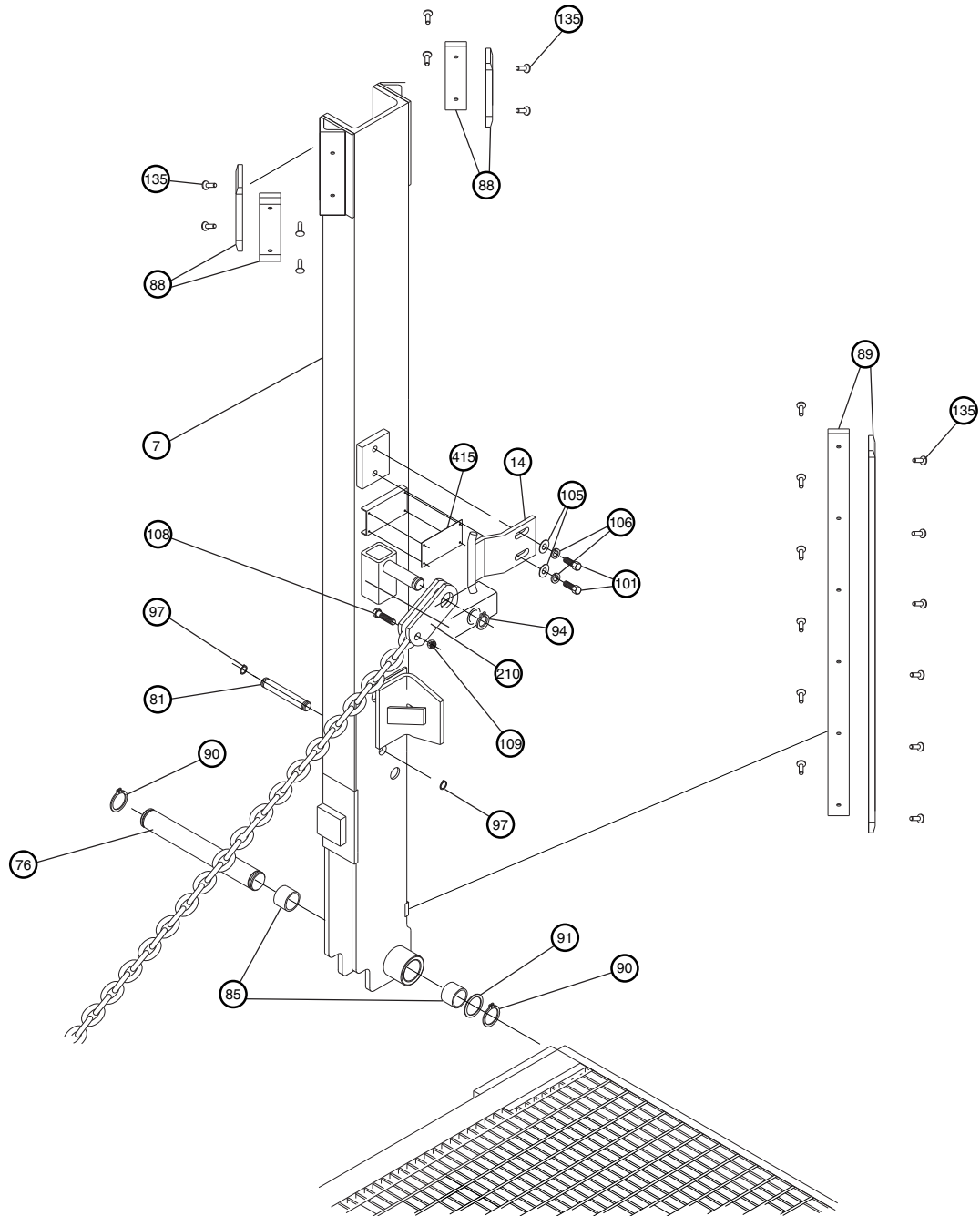
1005

# Runner Weldment (Streetside)

MRT-3500/4500GB-SF

<b>Item</b>	<b>Part No.</b>	<b>Description</b>	<b>Quantity</b>
7	A-176731	Runner Weldment, <i>Streetside (Gas Bottle Models Only)</i>	1
14	A-176474	Runner Guide Weldment	1
76	A-176458	Pin, Runner Hinge - Left Runner, 1-1/2" Dia.	1
81	A-176459	Pin, Lower - Lift Cylinder, 3/4" Dia., 3,500 and 4,500 lb. Capacity	1
85	A-176501	Bushing, <i>Streetside</i> , 1-1/2" I.D., 2" O.D. X 2" Long	2
88	A-176472	Wear Strip, Upper, 6" Long (plastic) - All Models	4
89	A-176471	Wear Strip, Lower, 36" Long (plastic) - <i>Prior to June 01, 1999</i>	Specify Two
	A-176766	Wear Strip, Lower, 29-1/4" Long (plastic) - <i>Models after June, 1999</i>	
90	A-176066	1-1/2" Retaining Ring (snap ring)	2
91	757026	1-1/2" Flat Washer, 1-1/2" I.D. (used as shim-spacer, maximum 8 each)	8
94	A-150060	1" Retaining Ring (snap ring)	1
97	473	3/4" Retaining Ring (snap ring)	2
101	A-150072	Bolt, 1/2-13 NC X 1-1/2" Long, Grade 8	2
105	A-150065	Flat Washer, 1/2" SAE	2
106	1691	Lockwasher, 1/2" (helical)	2
108	A-171249	Bolt, 3/8-24 NF 1-1/2" Long, Grade 8	1
109	2184	Locknut, 3/8-24 NF	1
135	A-132084	Rivet, 1/4"	20
210	A-176075	Shackle, Chain Lug Plate - <i>For all Gas Bottle Models</i>	1
415	N/A	Identification Tag, Model Number, Serial Number (not available as a replacement part)	1





# Column Weldment (Streetside)

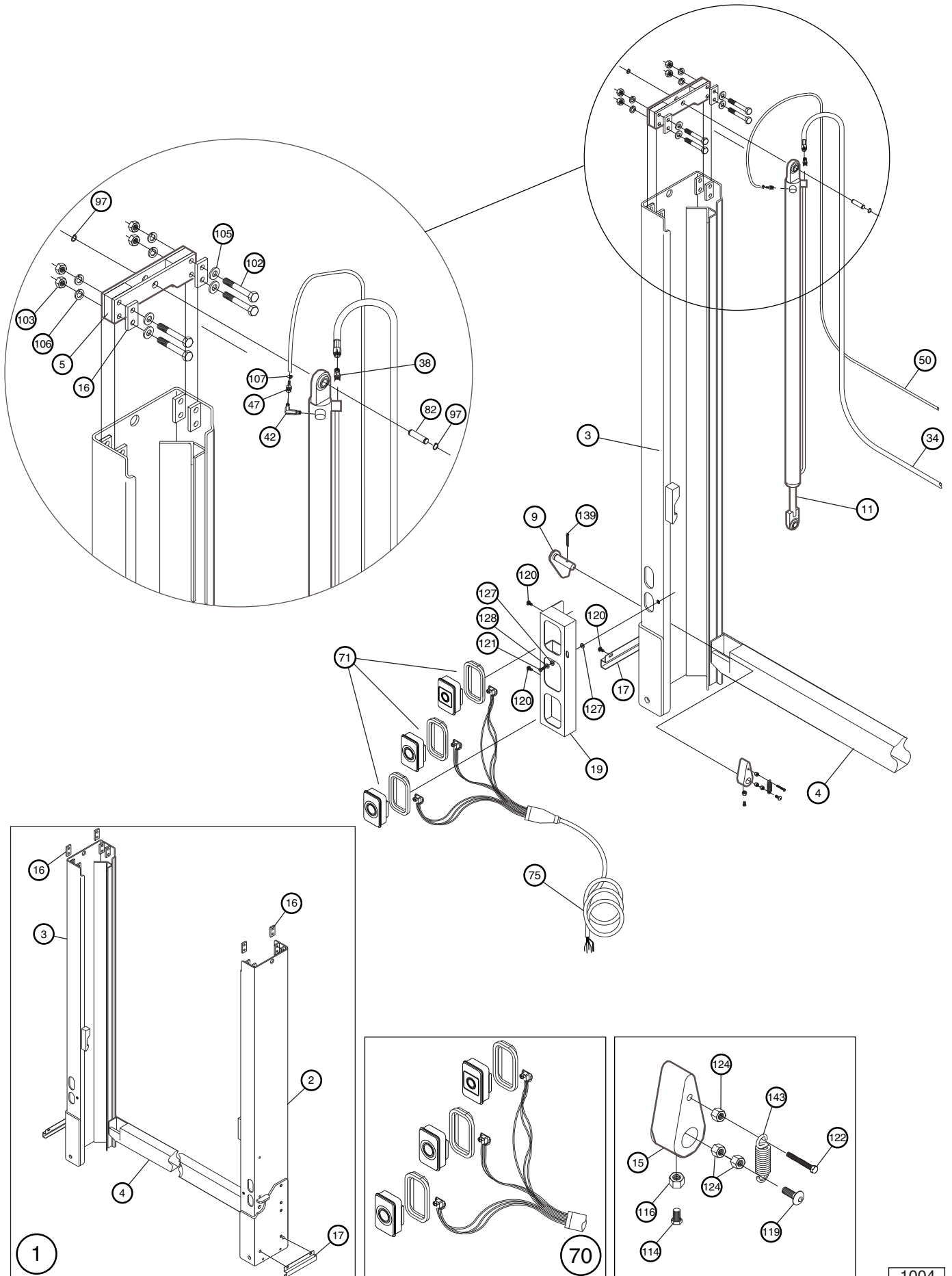
MRT-3500/4500GB-SF

Item	Part No.	Description	Quantity
1	A-176548	H-Frame Weldment, Standard (96") Width - Includes Items (2), (3), (4), (16), and (17)	Specify One
	A-176549	H-Frame Weldment (102") Width - Includes Items (2), (3), (4), (16), and (17)	
2	A-176402	Column Weldment, <i>Curbside</i> - Includes Part No. A-176811 (item 417)	1
3	A-176403	Column Weldment, <i>Streetside</i>	1
4	A-176745	Floor Extension Cross-Member Weldment, 96" Wide ( <i>standard</i> )	Specify One
	A-176746	Floor Extension Cross-Member Weldment, 102" Wide	
5	A-176737	Cylinder Mount Weldment ( <i>Gas Bottle Models Only</i> )	1
9	A-176500	Handle, Latch Weldment, <i>Streetside</i>	1
11	A-130181	Lift Cylinder Assembly (#6 SAE ports)	1
15	A-176493	Latch Block	1
16	A-176109	Spacer Block	2
17	A-176490	Wire Guard Channel	1
19	A-176825	Light Bracket (bolt-on), Two "Round" Hole - <i>Streetside</i>	Specify One
	A-176827	Light Bracket (bolt-on), Three "Round" Hole - <i>Streetside</i>	
	A-176829	Light Bracket (bolt-on), Three "Rectangular" Hole - <i>Streetside</i>	
34	A-130196	Hydraulic Hose Assembly - 3/8" (high-pressure) (old)	Specify One
	A-130251	Hydraulic Hose Assembly - 1/2" (high-pressure) (new)	
38	A-130198	Fitting, Straight Adapter (#6 ends) (old)	Specify One
	A-130258	Fitting, Straight Adapter (#8 ends) (new)	
42	A-130193	Fitting, 90° Elbow, Male JIC #6 X Male SAE #10 (old)	Specify One
	A-130253	Fitting, 90° Elbow, Male JIC #8 X Male SAE #10 (new)	
47	A-130244	Fitting, Male SAE #6 X 1/4" Hose Barb (was A-130155, Gravity-Down)	1
50	A-130009	Hose Vent - 24 ft. Long (wire reinforced) This item may be cut to (12 feet or 20 feet) length as required	1
70	Specify with order	Lighting Kit - Standard (incandescent lamp). Specify usage - trailer or truck - three (3) per side	Specify Two <i>Curbside</i> and <i>Streetside</i>
	Specify with order	Lighting Kit - LED Type. Specify usage - trailer, specify two (2) or three (3) per side, or truck – three (3) per side. <b>Note:</b> Lighting Kits include the proper light brackets (Item Nos. 18 and 19, as specified)	
71	A-133020	Light, Red Taillight - Stop and Turn Indicator With Grommet, Rectangular	Specify Qty.
	A-133064	Light, Red Taillight - Stop and Turn Indicator With Grommet, Round (LED)	
75	A-133018	Wire Harness, Taillight, <i>Streetside</i> - Trucks (6 ft. length)	Specify One
	A-133023	Wire Harness, Taillight, <i>Streetside</i> - Trailers (12 ft. length)	
82	A-176813	Pin, Upper - Lift Cylinder, 3/4" Dia., 3,500 and 4,500 lb. Capacity	1
97	473	3/4" Retaining Ring (snap ring)	2
102	A-132019	Bolt, 1/2-13 NC X 4" Long, Grade 8 (replaces item A-176546, 3-1/2" long)	4
103	3139	Hex Nut, 1/2-13 NC	4
105	A-150065	Flat Washer, 1/2" SAE	4
106	1691	Lockwasher, 1/2" (helical)	4
107	A-170260	Hose Clamp (stainless steel)	1
114	A-132018	Set Screw, 3/8-16 X 1" Long	1

**Parts list is continued on next page.**

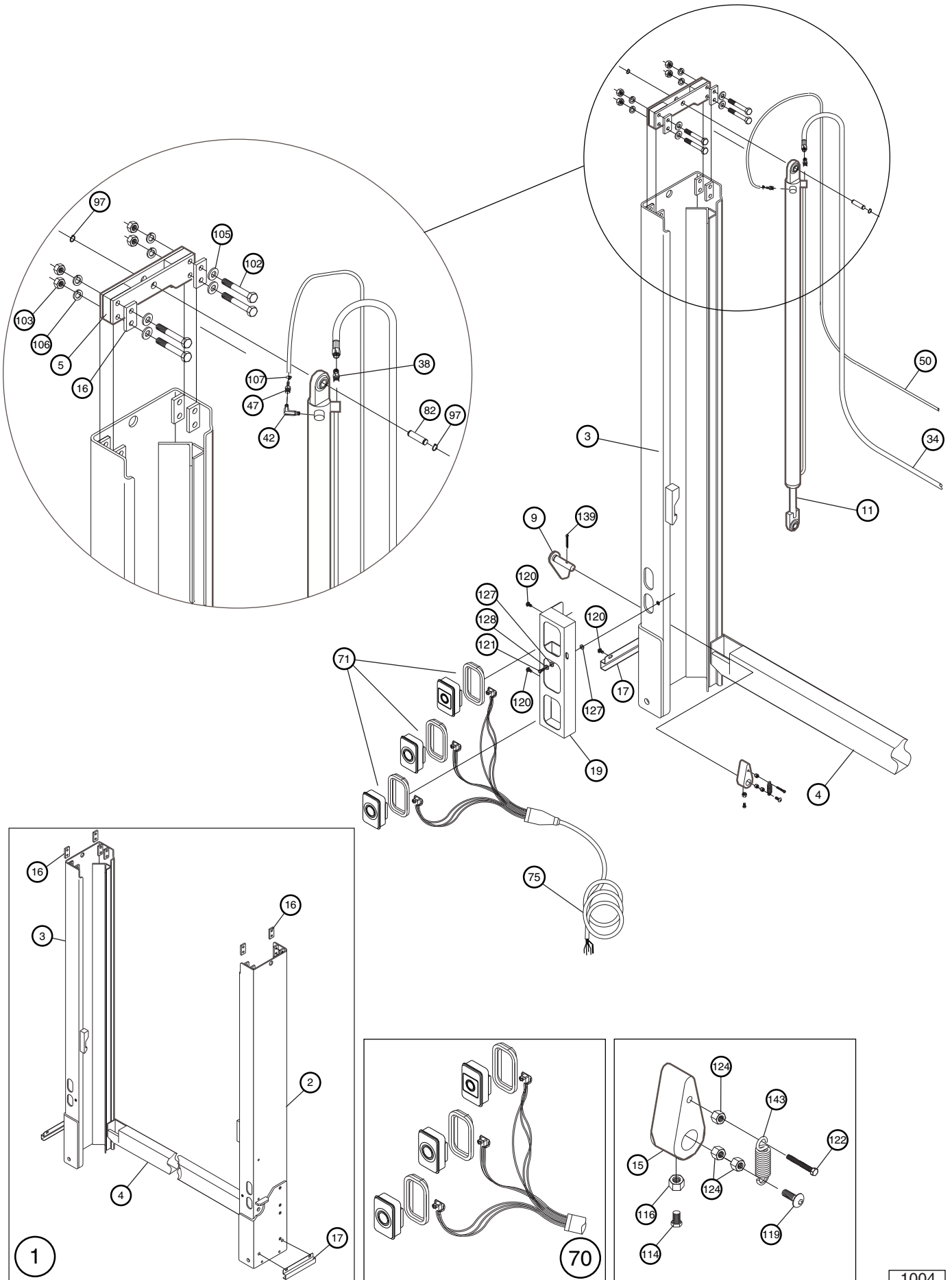
# Column Weldment (Streetside)

MRT-3500/4500GB-SF

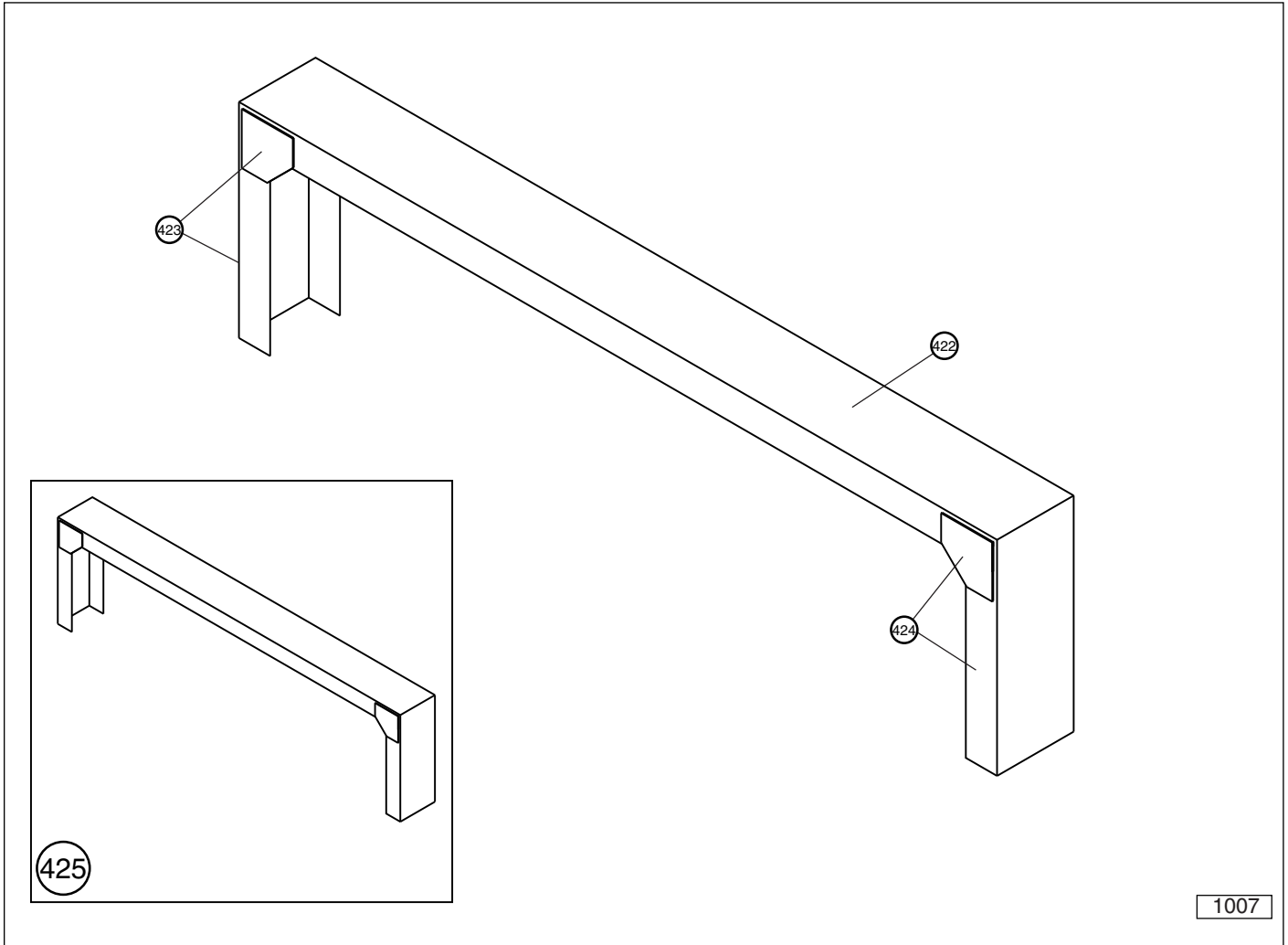


1004

<i>Item</i>	<i>Part No.</i>	<i>Description</i>	<i>Quantity</i>
116	P-162	Nut, Hex, 3/8-16	1
119	2054	Bolt, Button, Allen Head, 5/16-18 NC X 1 1/2" Long (stainless steel)	1
120	2145	Bolt, 5/16-18 NC X 1" Long, Whiz-Lock™	4
121	870	Bolt, 5/16-18 X 1-1/4" Long	1
122	869	Bolt, 5/16-18 NC X 2" Long	1
124	4164	Nut, 5/16-18 NC (runner latch)	3
127	2110	Flat Washer, 5/16"	2
128	6611	Lockwasher, 5/16" (helical)	1
139	AR-18-69	Cotter Pin, 3/16" X 1 3/4" Long	1
143	A-176497	Spring (extension), Latch	1

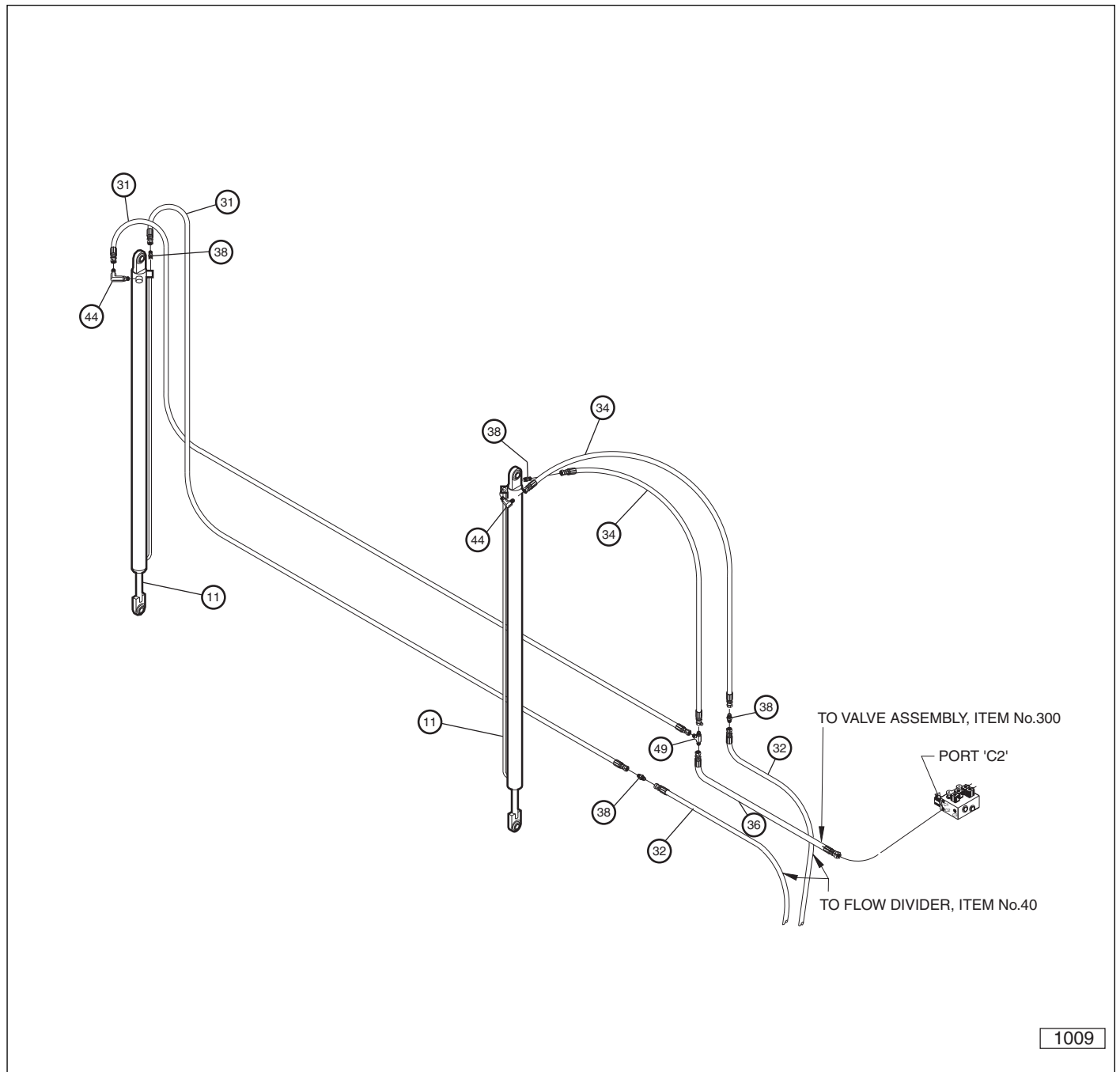


Item	Part No.	Description	Quantity
422	A-176602	Header Top Panel - 96" Wide Version	Specify One
	A-176603	Header Top Panel - 102" Wide Version	
423	A-176960	Side Panel Weldment - Left Hand ( <i>Streetside</i> )	1
424	A-176961	Side Panel Weldment - Right Hand ( <i>Curbside</i> )	1
425	A-176600	Header Kit - Complete (sides and top panels) - 96" Wide Version	Specify One
	A-176601	Header Kit - Complete (sides and top panels) - 102" Wide Version	



Item	Part No.	Description	Quantity
11	A-130180	Closer Cylinder Assembly (#6 SAE port, 3/8 NPT vent port)	2
31	A-130221	Hydraulic Hose Assembly - 3/8", Female JIC #6, 20 ft. Long	2
32	A-130222	Hydraulic Hose Assembly - 3/8", Female JIC #6, 10 ft. Long	2
34	A-130196	Hydraulic Hose Assembly - 3/8" X 12 ft. Long (high-pressure)	2
36	A-130206	Hydraulic Hose Assembly - 1/2", Female JIC #6, SAE #10, 24" Long	1
38	A-130198	Fitting, Straight Adapter, Male JIC #6 X Male SAE #6	4
44	A-130197	Fitting, 90° Elbow, Male JIC #6 X Male SAE #6, Extended Leg	2
49	A-130151	Fitting, Tee, Male JIC #6 (power-down, on-demand models only)	1

<sup>1</sup>MRT Dual Power Pack Unit Lift Cylinder(s) Hydraulic Components, Power-Down-On-Demand.



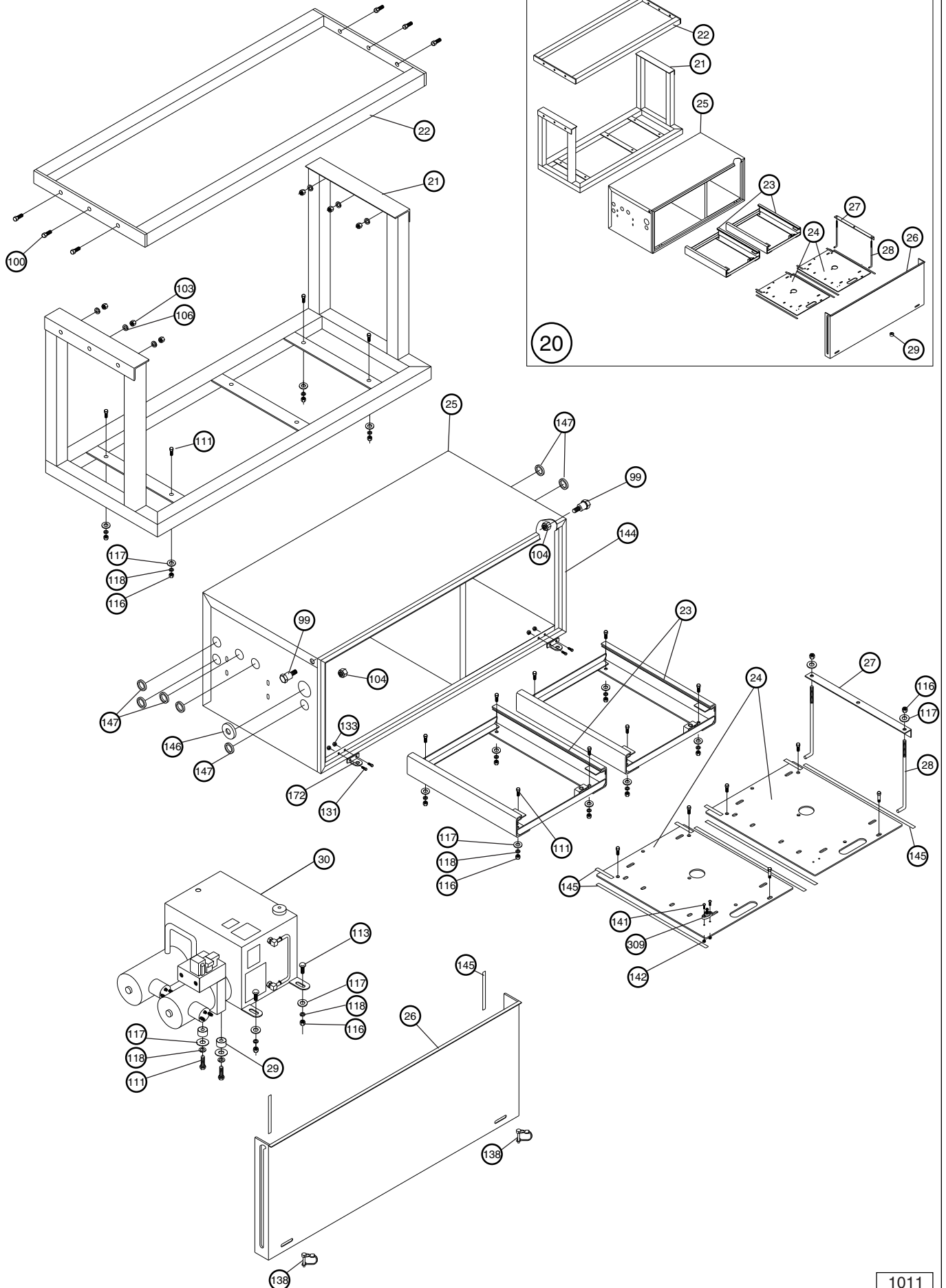
1009

<i>Item</i>	<i>Part No.</i>	<i>Description</i>	<i>Quantity</i>
20	A-176886	MRT Pump Enclosure (assembly - includes item Nos. 21 through 29, plus all specific hardware required for assembly)	1
21	A-176872	Mounting Frame Weldment	1
22	A-176880	Housing Frame, Top Weldment	1
23	A-176861	Mounting Plate Weldment	2
24	A-176862	Tray Weldment	2
25	A-176883	Pump Enclosure, Riveted	1
26	A-176885	Pump Box Door	1
27	A-171317	Battery Tie-Down	1
28	A-171318	Battery Tie-Down Rod	2
29	A-176739	Pump Spacer Block	2
30	A-130182	MRT Power Pack Unit, Dual - Gravity Down (includes items 300-315)	Specify One
	A-130202	MRT Power Pack Unit, Dual - Power Down, On-Demand (includes items 300-315)	
99	A-132063	Shoulder Bolt, 1/2-13 NC X 3/4" Long	2
100	ATU-260	Bolt, Hex Head, 1/2-13 NC X 1-1/4" Long	6
103	3139	Hex Nut, 1/2-13 NC	6
104	880	Jam Nut, 1/2-13 NC	2
106	1691	Lockwasher, 1/2" (helical)	6
111	874	Bolt, 3/8-16 NC X 1" Long	14
113	ATU-178	Carriage Bolt, 3/8-16 NC X 1" Long	4
116	P-162	Hex Nut, 3/8-16 NC	18
117	2058	Flat Washer, 3/8" SAE	18
118	2054	Lockwasher, 3/8" (helical)	16
131	A-132035	Cap Screw, 1/4-20 NC X 3/4" Long	4
133	ATU-369	Locknut, 1/4-20 NC	4
138	ATU-344	Snap Pin, 1/4"	2
141	2001	Screw, #10-32 X 1/2" Long	2
142	A-132071	Nut, Hex #10-32 Nylok™ (stainless steel)	2
144	A-176854	Gasket, D Shape Profile (foam rubber)	As Required
145	A-176855	Tape 0.030" Thick X 1/2" Wide, Self-Adhering (plastic)	As Required
146	A-176739	Grommet, Rubber	1
147	ATU-137	Grommet, Rubber	7
172	A-176899	Latch Eye - Pump Box	2
309	A-133099	Power Post, 12 VDC (used with thermal-protected motors)	1



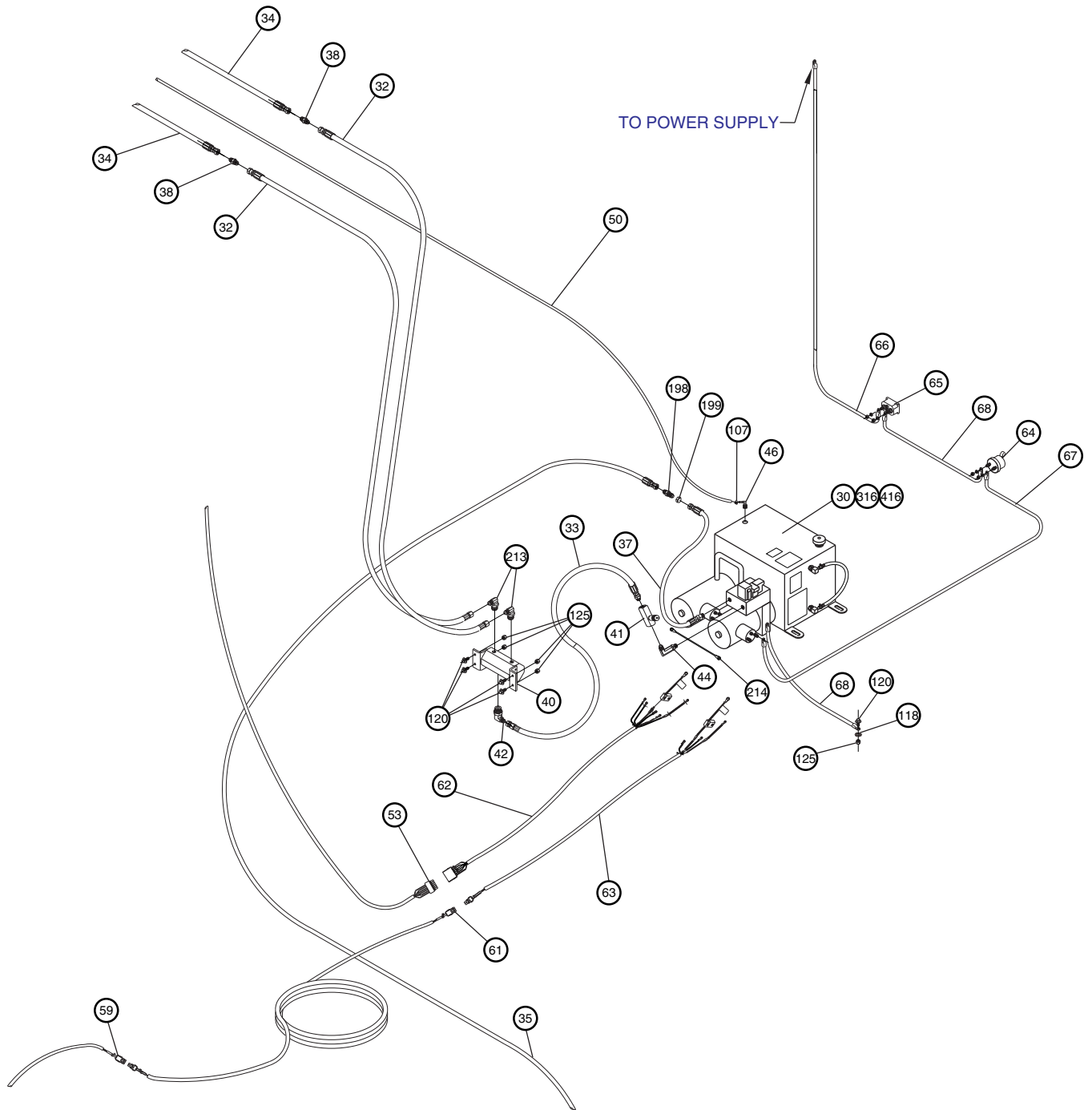
# Power Pack Enclosure

MRT-3500/4500GB-SF

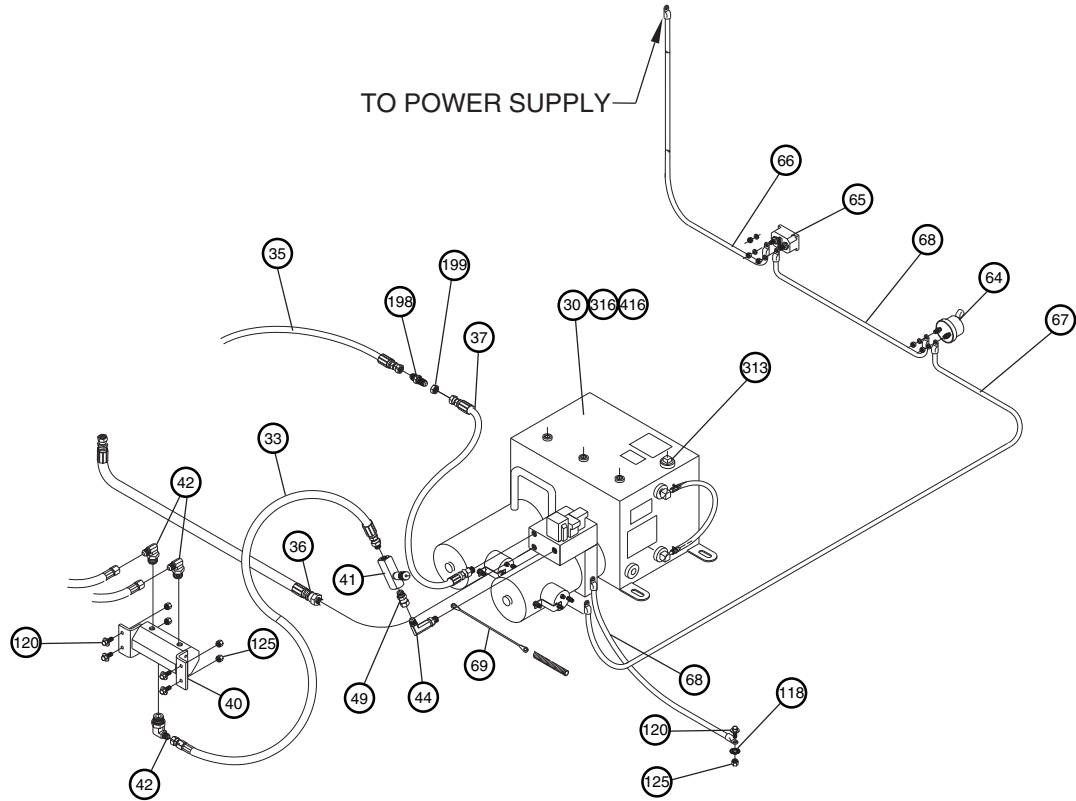


1011

Item	Part No.	Description	Quantity
30	A-130182	MRT Power Pack Unit, Dual - Gravity Down (includes items 300-315)	1
32	A-130222	Hydraulic Hose Assembly - 3/8", Female JIC #6, 10 ft. Long	2
33	A-130123	Hydraulic Hose Assembly - 3/8" X 36" Long (high-pressure)	1
34	A-130196	Hydraulic Hose Assembly - 3/8" X 12 ft. Long (high-pressure)	2
35	A-130188	Hydraulic Hose Assembly - 1/4" Closer Cylinder	1
37	A-130234	Hydraulic Hose Assembly - 1/4", Female JIC #6, SAE #6, 33" Long	1
38	A-130198	Fitting, Straight Adapter, Male JIC #6 X Male SAE #6	2
40	A-176487	Flow Divider/Combiner Valve	1
41	A-130184	Flow Control Valve, Adjustable	1
42	A-130193	Fitting, 90° Elbow, Male JIC #6 X Male SAE #10	1
44	A-130197	Fitting, 90° Elbow, Male, #6 Size, Extra Long (old)	Specify One
	A-130257	Fitting, 90° Elbow, Male, #8 Size, Extra Long (new)	
46	A-130155	Fitting, 90° - 3/8 NPT X 1/4" Hose Barb (gravity-down models only)	1
50	A-130009	Hose, Vent, 1/4" I.D. X 1/2" O.D. - 24 ft. Long (wire reinforced) <b>Note:</b> This item may be cut to (12 feet or 20 feet) length as required	1
53	A-133102	Switch and Wire Harness, Gravity-Down (epoxy-potted assembly)	Specify One
	(Call Factory)	Switch and Wire Harness, Power-Down (epoxy-potted assembly)	
59	A-133103	Switch and Wire Harness, Gravity-Down (epoxy-potted assembly)	Specify One
	A-133104	Switch and Wire Harness, Power-Down (epoxy-potted assembly)	
61	A-133100	Wire, Column Control Cable	1
62	A-133101	Wire, Runner Control Cable	1
63	A133106-1	Extension Cord Assembly - Runner Control, 16/4 X 18 ft. Long	Specify One
	A133106-2	Extension Cord Assembly - Runner Control, 16/4 X 30 ft. Long	
64	A-150031	Power Cut-off Switch, 12 VDC	1
65	A-150495	Circuit Breaker, 150 Amp	1
66	A133099-420	Power Cable, 12 VDC, #1 OT X 35 ft. Long	1
67	A133099-49	Power Cable, 12 VDC, #1 OT X 48" Long	1
68	A133099-16	Power Cable, 12 VDC, #1 OT X 16" Long	2
107	A-170260	Hose Clamp (stainless steel)	1
118	2054	Lockwasher, 5/16" (helical)	1
120	2145	Bolt, 5/16-18 NC X 1" Long, Whiz-Lock™	5
125	2114	Nut, Hex, 5/16-18 NC Whiz-Lock™ (serrated flange lock)	5
198	A-130157	Bulkhead Union Adapter, Male JIC #6 X Male JIC #6	1
199	A-130158	Lock Nut for Bulkhead Adapter	1
213	A-130193	Fitting, 90° Elbow, Male JIC #6 X Male SAE #10 (old)	Specify Two
	A-130252	Fitting, Straight, Male JIC #8 X Male SAE #10 (new)	
214	A-133109	Jumper Wire Assembly (from solenoid to solenoid)	1
316	A-150016	Pump Filter Replacement	2 each
416	A-150016	Pump Filter Replacement, MRT Dual Power Pack Unit - All Units	2



<i>Item</i>	<i>Part No.</i>	<i>Description</i>	<i>Quantity</i>
30	A-130202	Power Pack Unit, Dual Pump/Motor - <b>Power Down On-Demand</b> (includes items 300-315)	
33	A-130123	Hydraulic Hose Assembly - 3/8" X 36" Long (high-pressure)	1
35	A-130188	Hydraulic Hose Assembly - 1/4" Closer Cylinder	1
36	A-130206	Hydraulic Hose Assembly - 1/2", Female JIC #6, SAE #10, 24" Long	1
37	A-130234	Hydraulic Hose Assembly - 1/4", Female JIC #6, SAE #6, 33" Long	1
40	A-176487	Flow Divider/Combiner Valve	1
41	A-130184	Flow Control Valve, In-line, Adjustable (SAE #6 ports)	1
	A-130255	Flow Control Valve, In-line, Adjustable (SAE #6 ports) <b>Note:</b> Use A-130255 if your liftgate is this serial number or after, depending on your model, MRT-3500 s/n 81748, 4500 s/n 82029, 5500 s/n 81747, and 6500 s/n 77433	Choose size accordingly
42	A-130193	Fitting, 90° Elbow, Male JIC #6 X Male SAE #10	3
44	A-130197	Fitting, 90° Elbow, Male JIC #6 X Male SAE #6, Extended Leg	1
49	A-130151	Fitting, Tee, Male JIC #6 (power-down, on-demand models only)	1
64	A-150031	Power Cut-off Switch, 12 VDC	1
65	A-150495	Circuit Breaker, 150 Amp	1
66	A133099-420	Power Cable, 12 VDC, #1 OT X 35 ft. Long	1
67	A133099-49	Power Cable, 12 VDC, #1 OT X 48" Long	1
68	A133099-16	Power Cable, 12 VDC, #1 OT X 16" Long	2
69	A-133109	Wire, Jumper	1
107	A-170260	Hose Clamp (stainless steel)	2
118	2054	Lockwasher, 5/16" (helical)	1
120	2145	Bolt, 5/16-18 NC X 1" Long, Whiz-Lock™	5
125	2114	Nut, Hex, 5/16-18 NC Whiz-Lock™ (serrated flange lock)	5
198	A-130157	Bulkhead Union Adapter, Male JIC #6 X Male JIC #6	1
199	A-130158	Lock Nut for Bulkhead Adapter	1
316	A-150016	Pump Filter Replacement	2 each
416	A-150016	Pump Filter Replacement, MRT Dual Power Pack Unit - All Units	2



# Serviceable Parts for Standard Versions

**MRT-3500-SF**

**MRT-4500-SF**

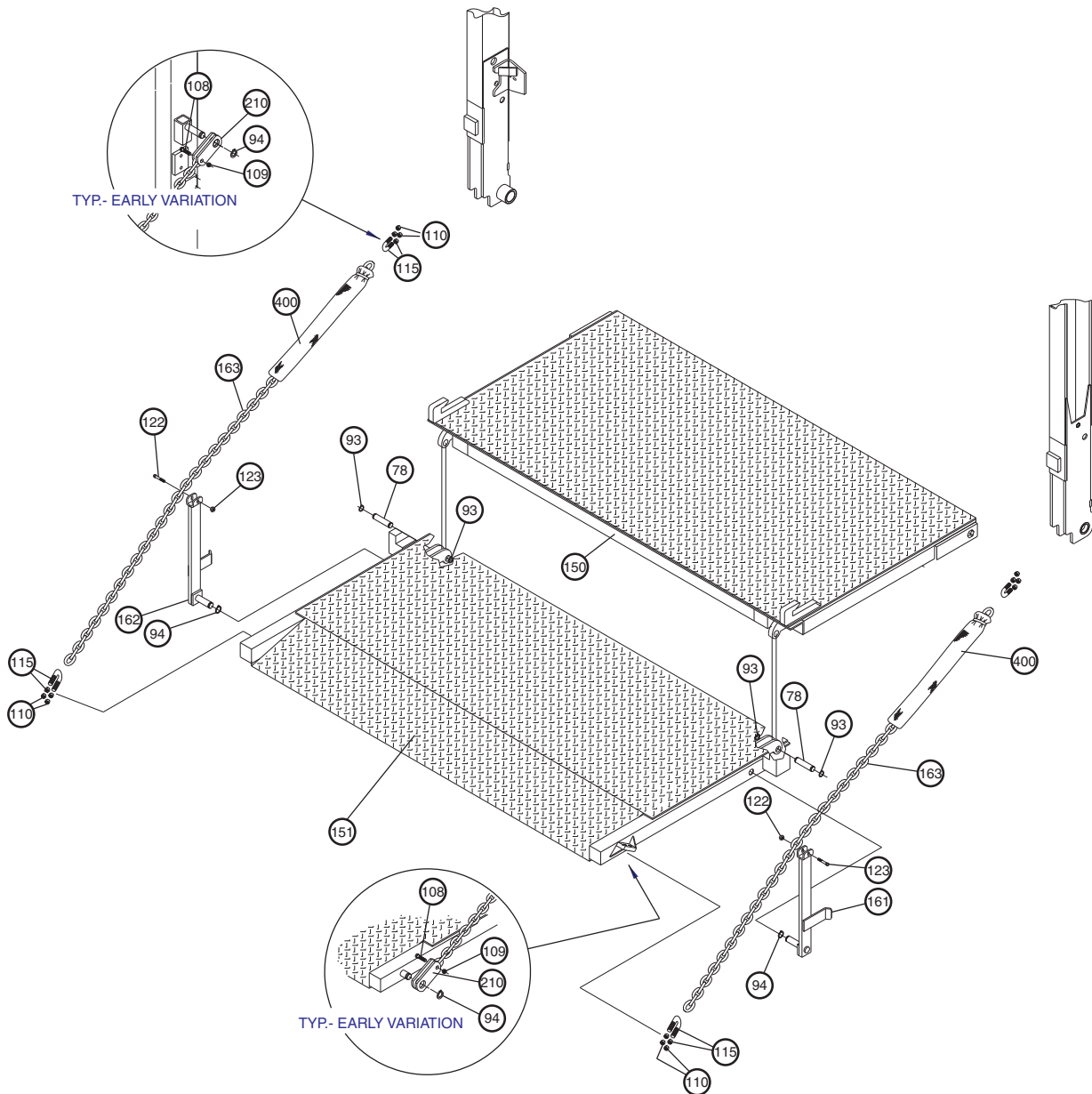
**MRT-5500-SF**

**MRT-6500-SF**

## Main Platform Assembly

MRT-3500-6500-SF

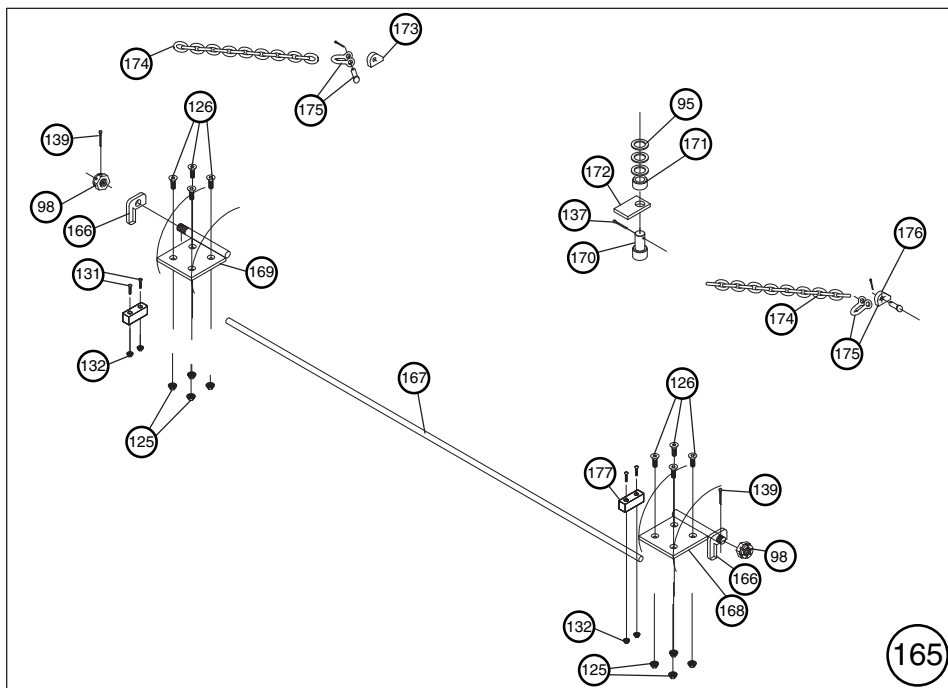
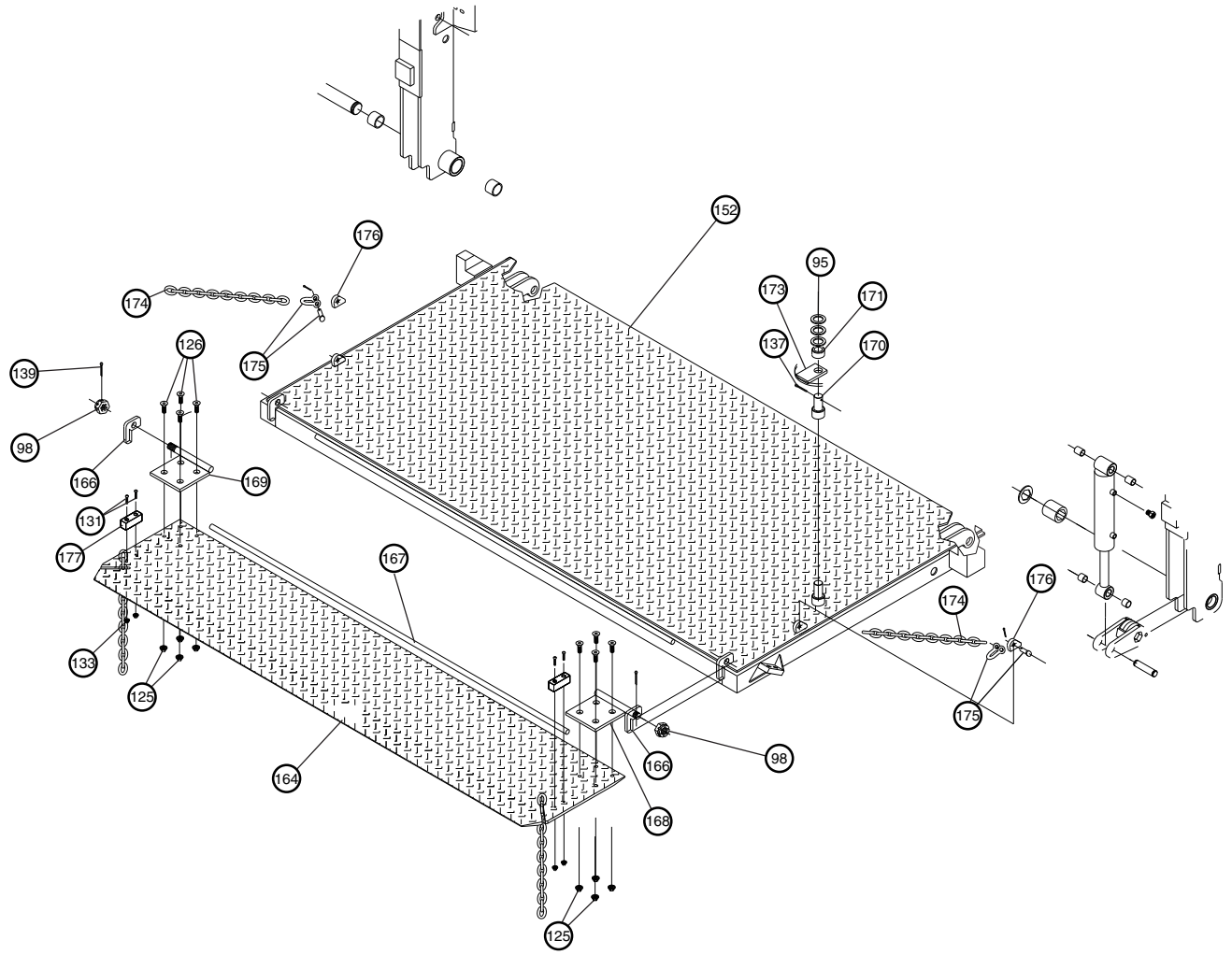
<i>Item</i>	<i>Part No.</i>	<i>Description</i>	<i>Quantity</i>
78	A-171200	Pin, Platform, 1-1/4" Dia.	2
93	A-146840	1-1/4" Retaining Ring (snap ring)	4
94	A-150060	1" Retaining Ring (snap ring)	6
108	A-171249	Bolt, 3/8-24 NF 1-1/2" Long, Grade 8	4
109	2184	Locknut, 3/8-24 NF	4
110	A-132044	Locknut, 3/8-24 NF, Nylok™ Type (refer to item (116) for qty. X2)	8
115	A-132042	U-Bolt, 3/8-24 NF - Includes Two Nuts (stainless steel)	4
122	869	Bolt, 5/16-18 NC X 2" Long	2
123	862	Locknut, Center-Locking, 5/16-18 NC	2
150		Main Platform Weldment - MRT Tread Plate Models (All) - <b>MRT Platform Required</b>	
	A-176308	30" Deep X 80" Wide (MRT Standard Body-Width, includes "BH" Version)	
	A-176310	30" Deep X 86" Wide (MRT 102" Body-Width, includes "BH" Version)	
	A-176689	36" deep X 80" Wide (MRT Standard Body-Width - "BH" Version Only)	Specify One
	A-176690	36" Deep X 86" Wide (MRT 102" Body-Width - "BH" Version Only)	
	A-176437	42" Deep X 80" Wide (MRT Standard Body-Width Version)	
	A-176528	42" Deep X 86" Wide (MRT 102" Body-Width Version)	
151		Flip-Over Platform Weldment, 12" Fixed Ramp – Tread Plate Models - <b>MRT Platform Option</b>	
	A-176529	18" Deep (30" total depth) X 80" Wide (MRT Standard Body-Width Version)	
	A-176538	18" Deep (30" total depth) X 86" Wide (MRT 102" Body-Width Version)	Specify One
	A-176542	30" Deep (42" total depth) X 80" Wide (MRT Standard Body-Width Version)	
	A-176545	30" Deep (42" total depth) X 86" Wide (MRT 102" Body-Width Version)	
161	A-176523	Closer Arm Weldment, <i>Curbside</i> - Use With 60", i.e., Folding 30" X 2-Pc. Butt-Edge Platforms Only	Specify One
	A-176503	Closer Arm Weldment, <i>Curbside</i> - Use With All Other Folding Platforms	
162	A-176522	Closer Arm Weldment, <i>Streetside</i> - Use With 60", i.e., Folding 30" X 2-Pc. Butt-Edge Platforms Only	Specify One
	A-176502	Closer Arm Weldment, <i>Streetside</i> - Use With All Other Folding Platforms	
163		Chain, Platform Support - MRT Tread Plate Models <b>5,500/6,500</b> lb. Capacity (Replacement for use with <b>3,500/4,500</b> lb. capacity models)	
	A-176509	84" X 72" Butt-Edge With 12" Ramp	Specify Pair
	A-176631	72" X 60" Butt-Edge With 12" Ramp	
	A-176632	60" X 48" Butt-Edge With 12" Ramp - "BH" Style	
210	A-176075	Shackle, Chain Lug Plate - All Early Tread Plate Models (manufactured prior to June 01, 1994)	4
400	A-176194	Chain Guard Sleeve	2



1012

<i>Item</i>	<i>Part No.</i>	<i>Description</i>	<i>Quantity</i>
95	A-144054	1" Flat Washer, 1" SAE, (shim spacer)	(varies)
98	A-132010	3/4" Nut, 3/4-10 NC, Slotted Nut (castle nut) - Part of Aluminum Retention Ramp Installation Kit	2
125	2114	Nut, Hex, 5/16-18 NC Whiz-Lock™ (serrated flange lock)	8
126	AR-18-66	Screw, C-S, Allen, 5/16-18 NC X 1-1/4" Long (part of aluminum retention ramps)	8
131	A-132035	Cap Screw, 1/4-20 NC X 3/4" Long	4
133	ATU-369	Locknut, 1/4-20 NC	4
137	S-070011	Roll Pin, 1/4" X 2-1/2" Long (for hex pin)	1
139	AR-18-69	Cotter Pin, 3/16" X 1 3/4" Long	2
152		Flip-Over Platform Weldment, Butt-Edge - MRT Tread Plate Models - <b>MRT Platform Option</b>	
	A-176519	30" Deep X 80" Wide (MRT Standard Body-Width, includes "BH" Version)	
	A-176541	30" Deep X 86" Wide (MRT 102" Body-Width, includes "BH" Version)	
	A-176687	36" Deep X 80" Wide (MRT Standard Body-Width - "BH" Version Only)	Specify One
	A-176688	36" Deep X 86" Wide (MRT 102" Body-Width - "BH" Version Only)	
	A-176451	42" Deep X 80" Wide (MRT Standard Body-Width Version)	
	A-176525	42" Deep X 86" Wide (MRT 102" Body-Width Version)	
164	A-176641	MRT Standard Body-Width Aluminum Retention Ramp Sheet (75" wide)	Specify One
	A-176715	MRT 102" Body-Width Aluminum Retention Ramp Sheet (81" wide)	
165	A-176894	Retention Ramp Installation Kit (includes item 164 and Item Nos. 166 through 177 listed below, plus required fasteners)	Specify One
166	A-176636	Hinge Plate ( <i>not used with Gas Bottle Types</i> )	2
167	A-171582	Support Rod, 5/8" dia. X 60" Long ( <i>not used with Gas Bottle Types</i> )	1
168	A-176637	Hinge Pin Weldment - Right, <i>Curbside</i>	1
169	A-176638	Hinge Pin Weldment - Left, <i>Streetside</i>	1
170	A-171294	Retention Ramp Lock Weldment	1
171	A-171301	Bushing, Retention Ramp Lock, 3/4" Long	1
173	A-171303	Plate, Retention Ramp Lock	1
174	AR-18-79	Chain, 1/4" Blue Chrome Coil X 45" Long (cut length to suit)	2
175	AR-18-80	Chain Shackle With Clevis Pin and Cotter Pin	2
176	A-158025	Platform Chain Connector ( <i>teardrop</i> )	2
177	A-155037	Rubber Bumper With Washer (vulcanized washers assembly)	2



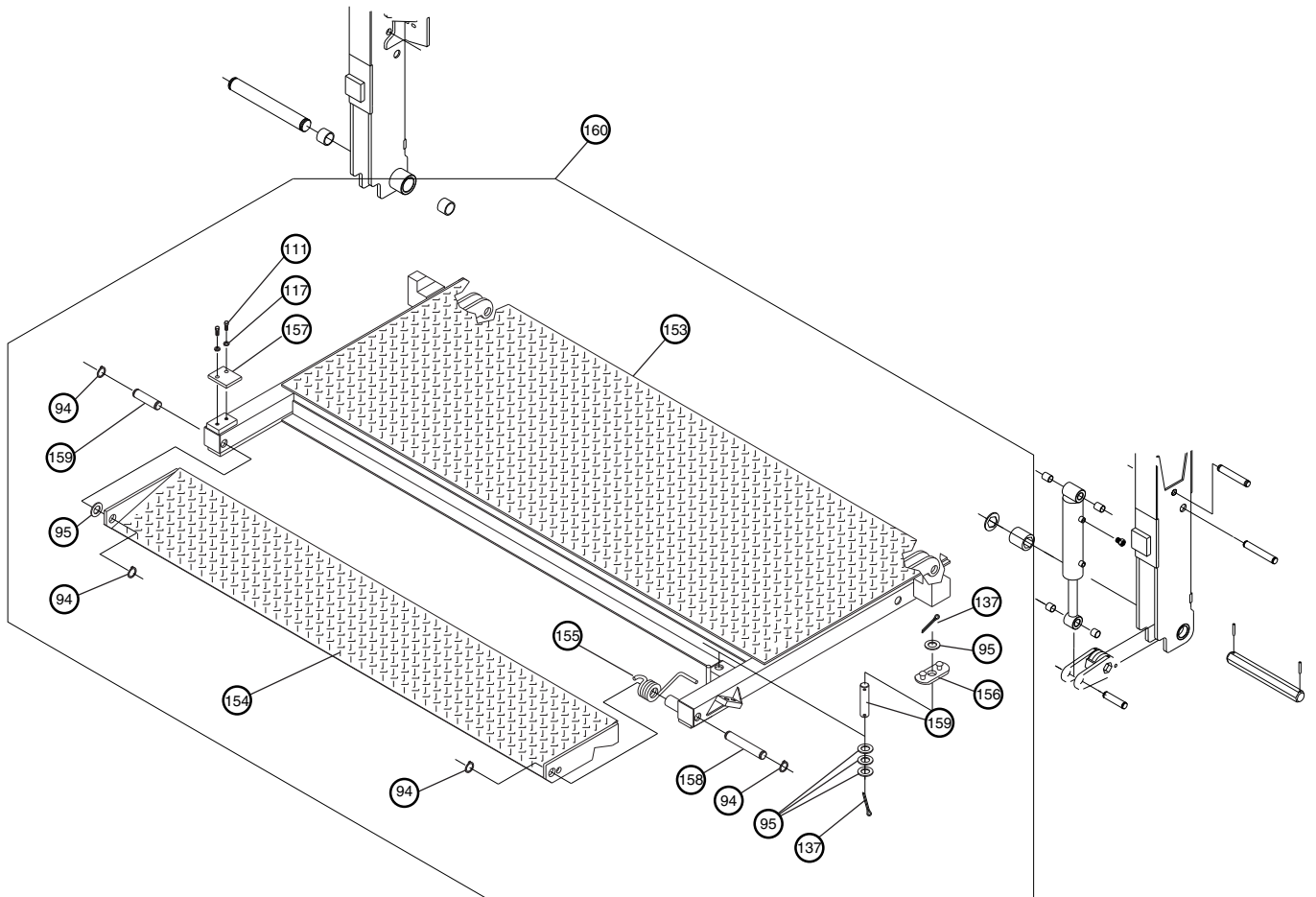


1013

<i>Item</i>	<i>Part No.</i>	<i>Description</i>	<i>Quantity</i>
94	A-150060	1" Retaining Ring (snap ring)	4
95	A-144054	1" Flat Washer, 1" SAE, (shim spacer)	(varies)
111	874	Bolt, 3/8-16 NC X 1" Long	2
117	2058	Flat Washer, 3/8" SAE	2
137	S-070011	Roll Pin, 1/4" X 2-1/2" Long (for hex pin)	2
153		<b>Flip-Over Platform Weldment Component - MRT Tread Plate Models - MRT Platform Option</b> <i>(Platform Component)</i>	
	A-176619	18" Deep (load deck) X 80" Wide (MRT Standard Body-Width Version)	
	A-176620	18" Deep (load deck) X 86" Wide (MRT 102" Body-Width Version)	
	A-176594	24" Deep (load deck) X 80" Wide (MRT Standard Body-Width Version)	Specify One
	A-176669	24" Deep (load deck) X 86" Wide (MRT 102" Body-Width Version)	
	A-176596	30" Deep (load deck) X 80" Wide (MRT Standard Body-Width Version)	
	A-176670	30" Deep (load deck) X 86" Wide (MRT 102" Body-Width Version)	
154	A-176571	Cart-Stop Ramp Weldment - Use With 80" Flip-Over Platform Group	Specify One
	A-176585	Cart Stop Ramp Weldment - Use With 86" Flip-Over Platform Group <b>Note:</b> All Cart Stop Ramps Have a Depth Span of 12"	
155	A-176948	Spring, <i>MRT Tread Plate Models</i> <b>Note:</b> Replaces Spring, Part No. ATU-326	1
156	A-176616	Stop Plate, Weldment, <i>MRT Tread Plate Models</i>	1
157	A-176597	Stop Bar Plate, <i>MRT Tread Plate Models</i>	1
158	A-150143	Pin, Long, 1" Dia., <i>MRT Tread Plate Models</i>	1
159	A-176612	Pin, Short, 1" Dia., <i>MRT Tread Plate Models</i>	2
160		<b>Folding, Pop-Up Cart Stop Ramp Platform - MRT Tread Plate Models - MRT Platform Option</b> <i>(Unit Assembly)</i>	
	A-176930	60" (42"+18") Deep X 80" Wide (MRT Standard Body-Width Version)	
	A-176933	60" (42"+18") Deep X 86" Wide (MRT 102" Body-Width Version)	Specify One
	A-176931	72" (42"+30") Deep X 80" Wide (MRT Standard Body-Width Version)	
	A-176934	72" (42"+30") Deep X 86" Wide (MRT 102" Body-Width Version)	

# Main Platform Assembly (Pop-Up Cart Stop)

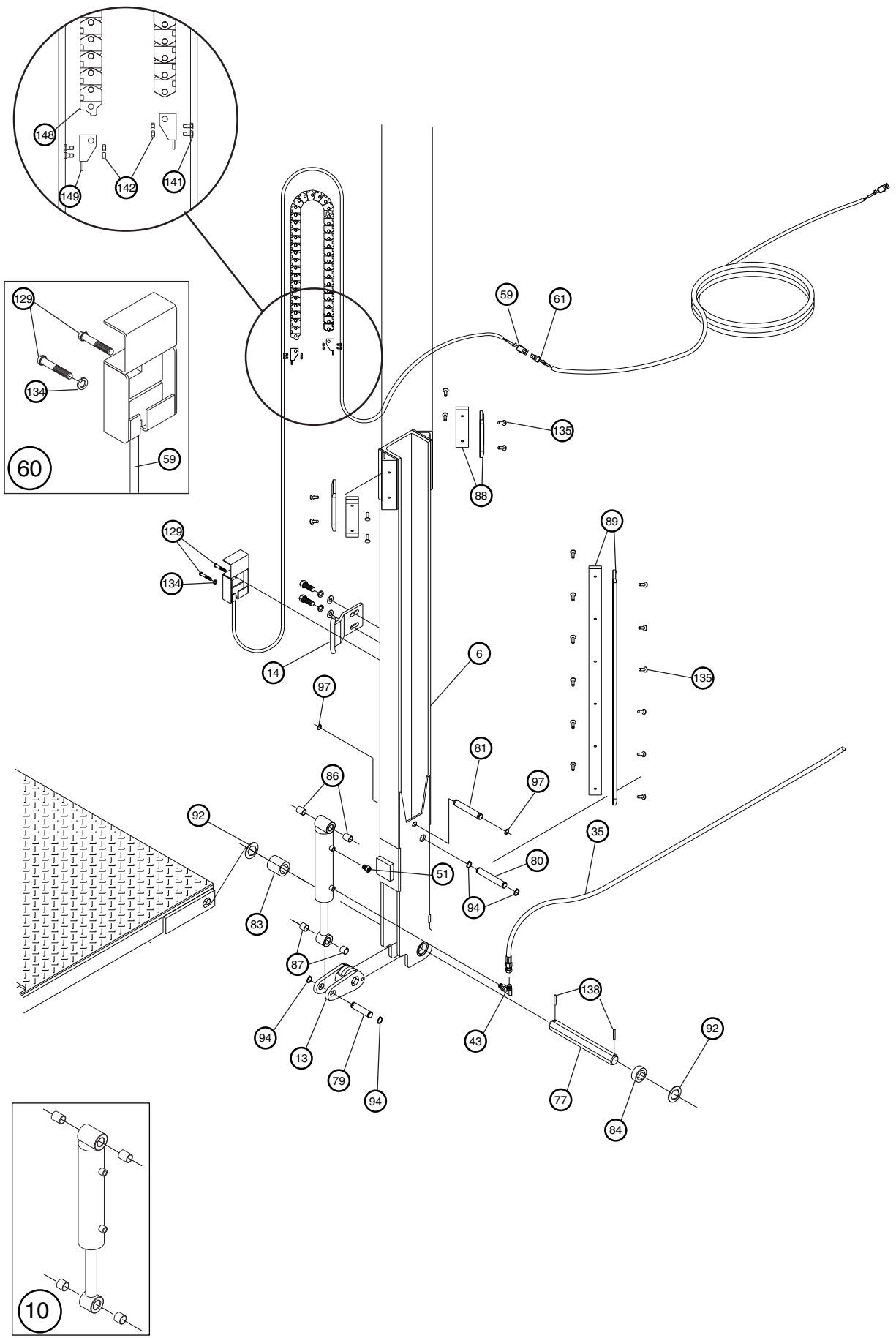
MRT-3500-6500-SF



1014

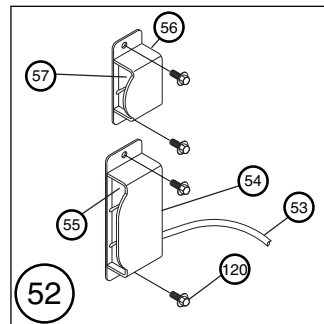
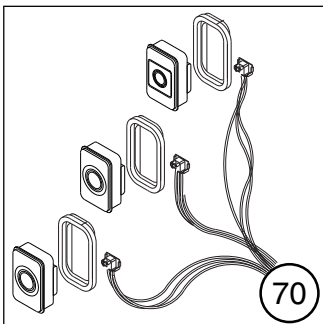
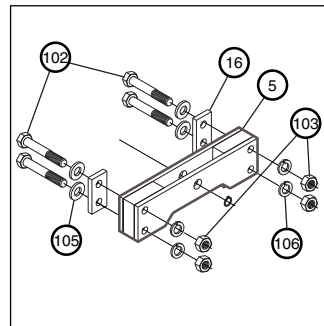
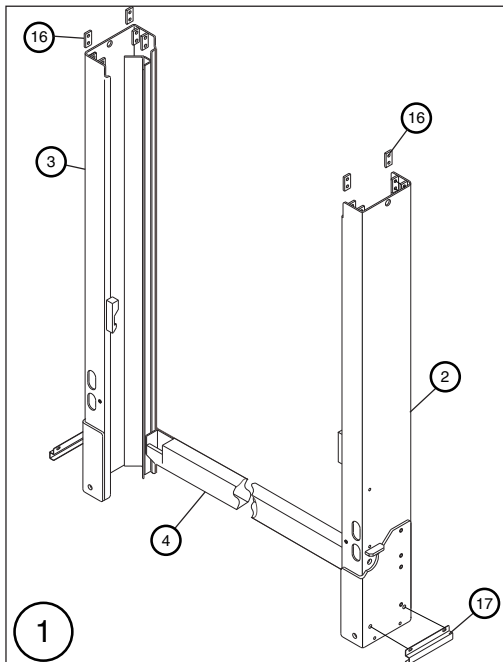
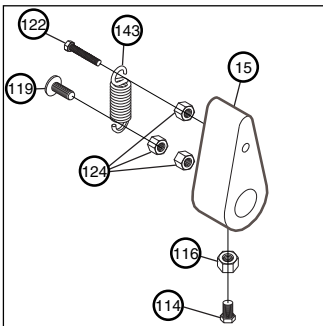
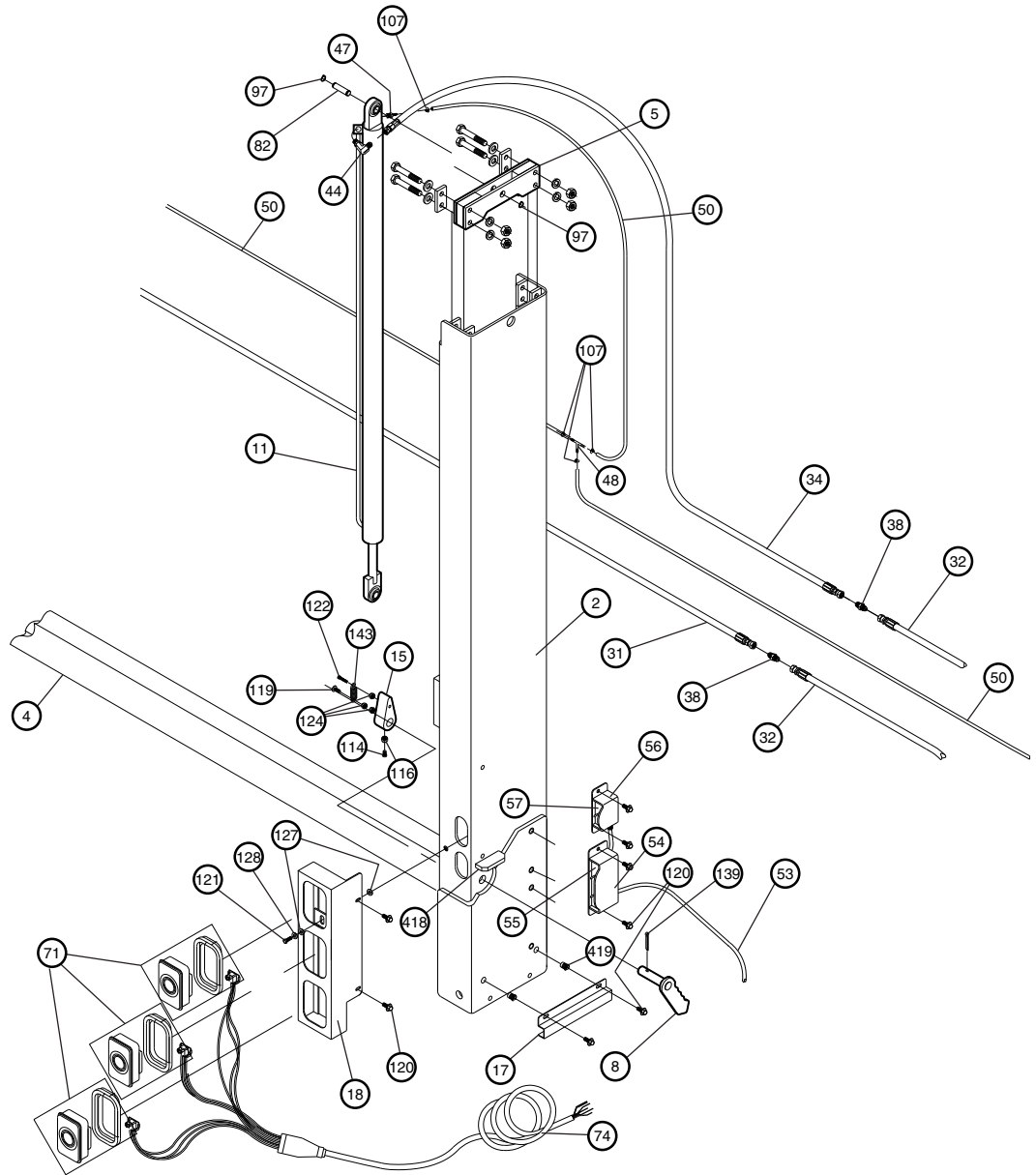
Item	Part No.	Description	Quantity
6	A-176410	Runner Weldment, <i>Curbside</i>	1
10	A-130180	Closer Cylinder Assembly (#6 SAE port, 3/8 NPT vent port) With Items 86 and 87	1
	A-176430	Close Cylinder Only	1
13	A-176429	Closer Clevis Weldment	1
14	A-176474	Runner Guide Weldment	1
35	A-130188	Hydraulic Hose Assembly - 1/4" X 12 ft. Long, Closer Cylinder	1
43	A-130140	Fitting, 90° Elbow, Male JIC #6 X Male SAE #6	1
51	A-130017	Plug, Vented, 3/8 NPT	1
59	A-133103	Switch and Wire Harness, Gravity-Down (epoxy-potted assembly)	Specify One
	A-133104	Switch and Wire Harness, Power-Down (epoxy-potted assembly)	
60	A-133107	Runner Switchbox Assembly (Gravity-Down Control) - Unit Assembly	Specify One
	A-133108	Runner Switchbox Assembly (Power-Down Control) - Unit Assembly	
61	A-133100	Wire, Column Control Cable	1
77	A-176457	Pin, Runner Hinge, 1-1/4" Hexagonal	1
79	A-176453	Pin, Closer Clevis - 1" Dia. (lower), 3-1/8" Long	1
80	A-176456	Pin, Upper - Closer Cylinder, 1" Dia., 5-1/16" Long	1
81	A-176459	Pin, Lower - Lift Cylinder, 3/4" Dia., 3,500 and 4,500 lb. Capacity	Specify Two
	A-176814	Pin, Lower - Lift Cylinder, 3/4" Dia., 5,500 and 6,500 lb. Capacity	
83	A-176481	Hex Bushing, Long, 1-3/4" O.D. X 2-3/4" Long	1
84	A-176482	Hex Bushing, Short, 1-3/4" O.D. X 3/4" Long	1
86	ATU-426	Bushing, Upper, 1" I.D., 1-1/4" O.D. X 1" Long	2
87	ATU-429	Bushing, Lower, 1" I.D., 1-1/4" O.D. X 3/4" Long	2
88	A-176472	Wear Strip, Upper, 6" Long (plastic) - All Models	4
89	A-176471	Wear Strip, Lower, 36" Long (plastic) - <i>Prior to June 01, 1999</i>	Specify Two
	A-176766	Wear Strip, Lower, 29-1/4" Long (plastic) - <i>Models after June, 1999</i>	
92	A-176711	1-1/2" Hex Washer (used as shim-spacer on R/H, <i>Curbside</i> , maximum 8 each)	8
94	A-150060	1" Retaining Ring (snap ring)	4
97	473	3/4" Retaining Ring (snap ring)	2
129	ATU-358	Bolt, 1/4-20 NC X 2" Long	2
134	S-016001	Lockwasher, 1/4"	2
135	A-132084	Rivet, 1/4"	20
138	ATU-344	Snap Pin, 1/4"	2
141	2001	Screw, #10-32 X 1/2" Long	4
142	A-132071	Nut, #10-32 Nylok™ (stainless steel)	4
148	A-176838	Cord Carrier, Flexible Guard (plastic)	1
149	A-176839	Mounting Bracket Set (two-piece)	1 Set

**Note:** A 176626 Seal Kit Closure Cylinder is available.



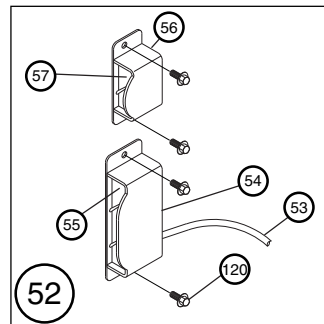
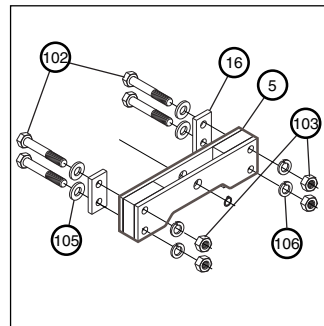
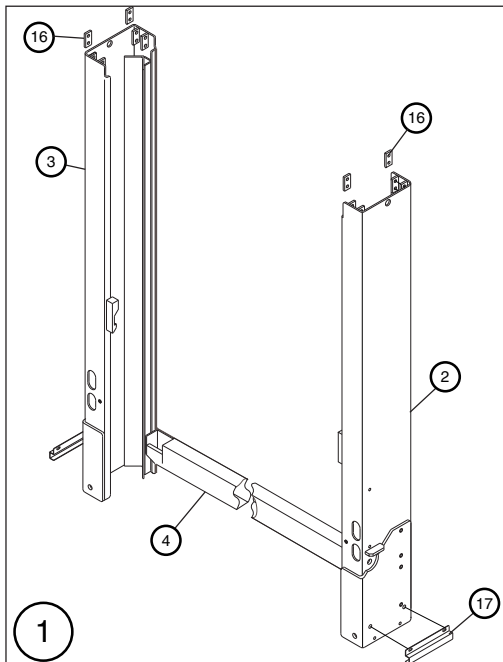
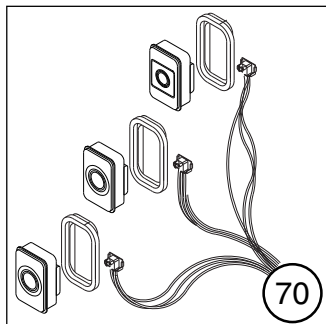
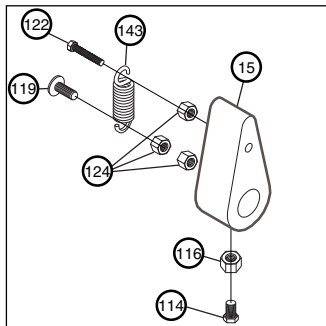
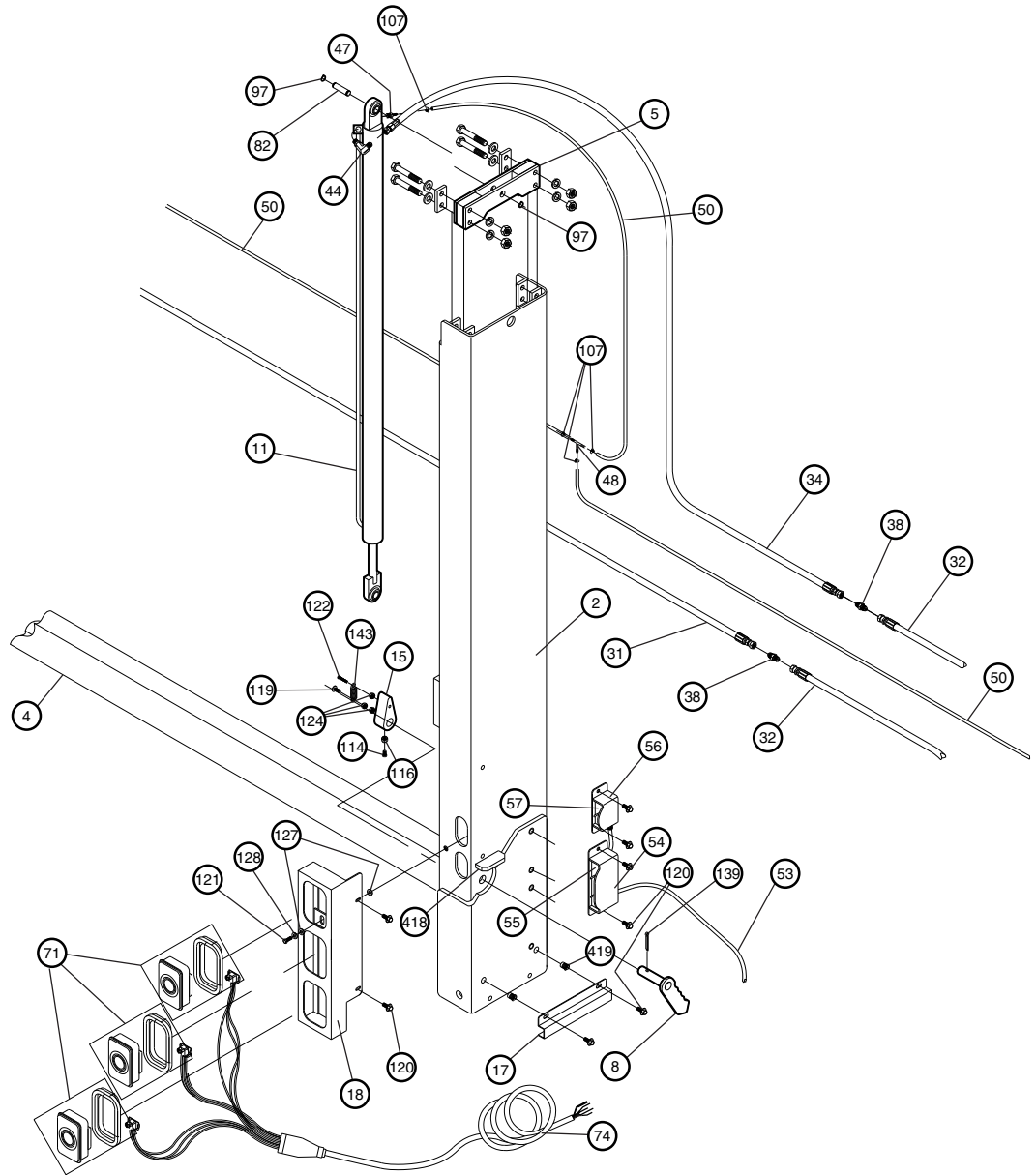
Item	Part No.	Description	Quantity
1	A-176548	H-Frame Weldment, Standard (96") Width - Includes Items (2), (3), (4), (16), and (17)	Specify One
	A-176549	H-Frame Weldment (102") width - Includes Items (2), (3), (4), (16), and (17)	
2	A-176402	Column Weldment, <i>Curbside</i> - Includes A-176811 (item 417)	1
3	A-176403	Column Weldment, <i>Streetside</i>	1
4	A-176745	Floor Extension Cross-Member Weldment, 96" Wide ( <i>standard</i> )	Specify One
	A-176746	Floor Extension Cross-Member Weldment, 102" Wide	
5	A-176434	Cylinder Mount Weldment	1
8	A-176499	Handle, Latch Weldment, <i>Curbside</i>	1
11	A-130181	Lift Cylinder Assembly (#6 SAE Ports)	1
15	A-176493	Latch Block	1
16	A-176109	Spacer Block	4
17	A-176490	Wire Guard Channel	2
18	A-176824	Light Bracket (Bolt-On), Two "Round" Hole - <i>Curbside</i>	Specify One
	A-176826	Light Bracket (Bolt-On), Three "Round" Hole - <i>Curbside</i>	
	A-176826	Light Bracket (Bolt-On), Three "Rectangular" Hole - <i>Curbside</i>	
31	A-130221	Hydraulic Hose Assembly - 3/8", Female JIC #6, 20 ft. Long	1
32	A-130222	Hydraulic Hose Assembly - 3/8", Female JIC #6, 10 ft. Long	2
34	A-130196	Hydraulic Hose Assembly - 3/8" X 12 ft. Long (high-pressure)	1
38	A-130198	Fitting, Straight Adapter, Male JIC #6 X Male SAE #6	2
44	A-130197	Fitting, 90° Elbow, Male JIC #6 X Male SAE #6, Extended Leg	1
47	A-130244	Fitting, Male SAE #6 X 1/4" Hose Barb (was A-130155, Gravity-Down)	1
48	A-130015	Fitting, Tee, 1/4" Hose Barb (gravity-down models only)	1
50	A-130009	Hose Vent - 24 ft. Long (wire reinforced)	1
		This item may be cut to (12 feet or 20 feet) length as required	
52	A-176764	Switch Assembly (Gravity-Down Control) - Unit Assembly (column box)	Specify One
	A-133160	Switch Assembly (Power-Down Control) - Unit Assembly (column box)	
53	A-133102	Switch and Wire Harness, Gravity-Down (epoxy-potted assembly)	Specify One
	(Call Factory)	Switch and Wire Harness, Power-Down (epoxy-potted assembly)	
54	A-176700	Control Box Weldment - Column (full function), Gravity-Down	Specify One
	A-176793	Control Box Weldment - Column (full function), Power-Down	
55	A-176703	Switch Mounting Panel, Gravity-Down and Power-Down (lower box)	1
56	A-176780	Control Box Weldment, Power-Down (upper box)	1
57	AR-18-235	Switch Mounting Panel, Power-Down (upper box)	1
70	Specify with order	Lighting Kit - Standard (incandescent lamp). Specify usage - trailer or truck - three (3) per side	Specify Two <i>Curbside</i> and <i>Streetside</i>
	Specify with order	Lighting Kit - LED Type. Specify usage - trailer, specify two (2) or three (3) per side, or truck - three (3) per side <b>Note:</b> Lighting Kits include the proper light brackets (Item Nos. 18 and 19, as specified)	
71	A-133020	Light, Red Taillight - Stop and Turn Indicator With Grommet, Rectangular	Specify Qty.
	A-133064	Light, Red Taillight - Stop and Turn Indicator With Grommet, Round (LED)	

Parts list is continued on next page.

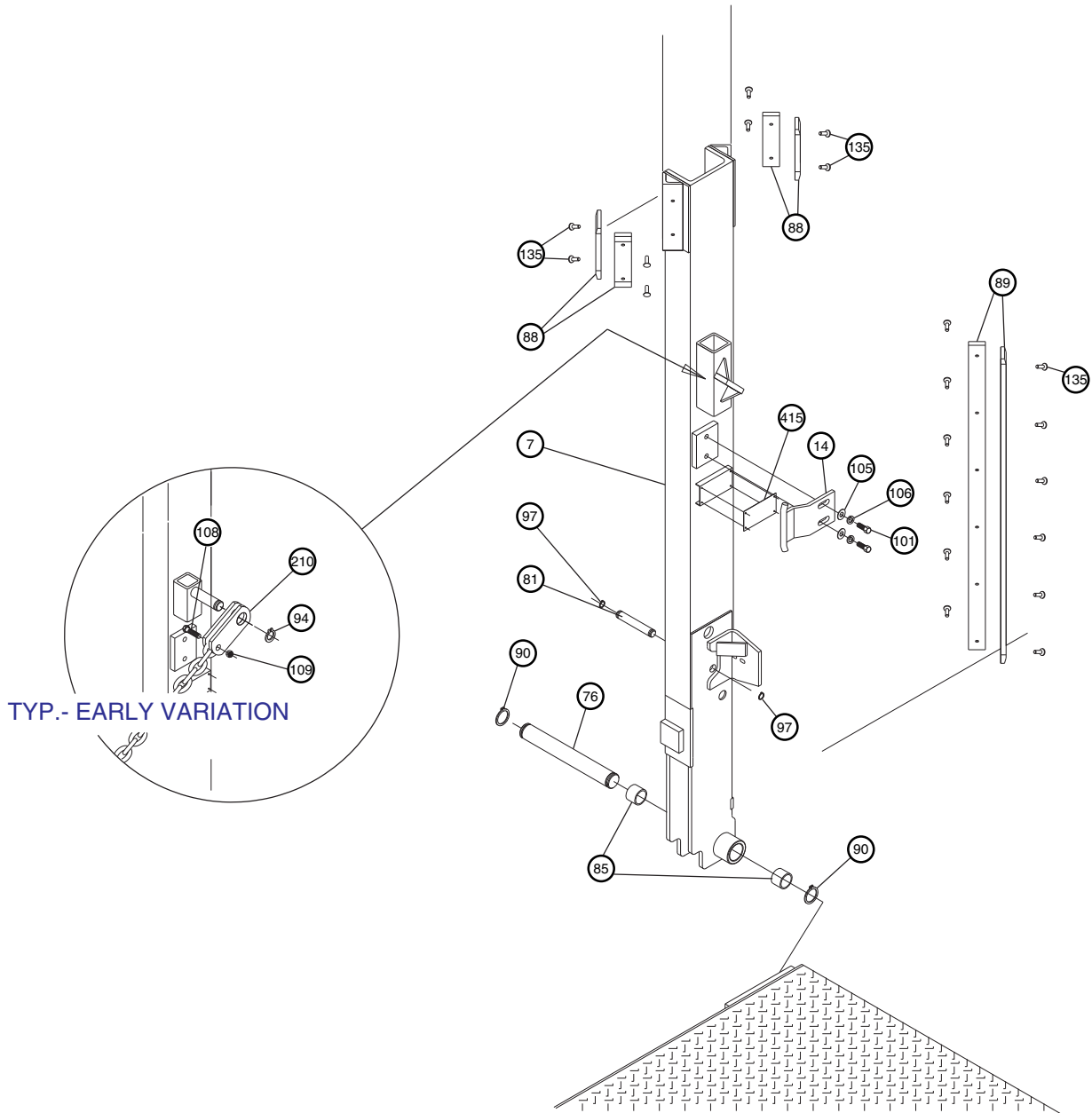


<b>Item</b>	<b>Part No.</b>	<b>Description</b>	<b>Quantity</b>
74	A-133019	Wire Harness, Taillight, <i>Curbside</i> (R/H) - Trucks (6 ft. length)	Specify One
	A-133024	Wire Harness, Taillight, <i>Curbside</i> (R/H) - Trailers (12 ft. length)	
82	A-176813	Pin, Upper - Lift Cylinder, 3/4" Dia., 3,500 and 4,500 lb. Capacity	Specify One
	A-176460	Pin, Upper - Lift Cylinder, 3/4" Dia., 5,500 and 6,500 lb. Capacity	
97	473	3/4" Retaining Ring (snap ring)	2
102	A-132019	Bolt, 1/2-13 NC X 4" Long, Grade 8 (replaces item A-176546, 3-1/2" long)	4
103	3139	Hex Nut, 1/2-13 NC	4
105	A-150065	Flat Washer, 1/2" SAE	4
106	1691	Lockwasher, 1/2" (helical)	4
107	A-170260	Hose Clamp (stainless steel)	4
114	A-132018	Set Screw, 3/8-16 NC X 1" Long	1
116	P-162	Hex Nut, 3/8-16	1
119	S-117001	Bolt, Button, Allen Head, 5/16-18 NC X 1-1/2" Long (stainless steel)	1
120	2145	Bolt, 5/16-18 NC X 1" Long, Whiz-Lock™	8
121	870	Bolt, 5/16-18 NC X 1-1/4" Long	1
122	869	Bolt, 5/16-18 NC X 2" Long	1
124	4164	Nut, 5/16-18 NC (runner latch)	3
127	2110	Flat Washer, 5/16"	2
128	6611	Lockwasher, 5/16" (helical)	1
139	AR-18-69	Cotter Pin, 3/16" X 1-3/4" Long	1
140	5420	Screw, #10-32 X 1-1/4" Long	2
143	A-176497	Spring (extension), Latch	1
418	A-176811	Latch Guard (weld-assembly component replacement repair part)	1
419	A-132099	Threaded Insert, 5/16-18 NC	2





<b>Item</b>	<b>Part No.</b>	<b>Description</b>	<b>Quantity</b>
7	A-176411	Runner Weldment, <i>Streetside</i>	1
14	A-176474	Runner Guide Weldment	1
76	A-176458	Pin, Runner Hinge - Left Runner, 1-1/2" Dia.	1
81	A-176459	Pin, Lower - Lift Cylinder, 3/4" Dia., 3,500 and 4,500 lb. Capacity	Specify One
	A-176814	Pin, Lower - Lift Cylinder, 3/4" Dia., 5,500 and 6,500 lb. Capacity	
85	A-176501	Bushing, <i>Streetside</i> , 1-1/2" I.D., 2" O.D. X 2" Long	2
88	A-176472	Wear Strip, Upper, 6" Long (plastic) - All Models	4
89	A-176471	Wear Strip, Lower, 36" Long (plastic) - <i>Prior to June 01, 1999</i>	Specify Two
	A-176766	Wear Strip, Lower, 29-1/4" Long (plastic) - <i>Models after June, 1999</i>	
90	A-176066	1-1/2" Retaining Ring (snap ring)	2
94	A-150060	1" Retaining Ring (snap ring)	1
97	473	3/4" Retaining Ring (snap ring)	2
101	A-150072	Bolt, 1/2-13 NC X 1-1/2" Long, Grade 8	2
105	A-150065	Flat Washer, 1/2" SAE	2
106	691	Lockwasher, 1/2" (helical)	2
108	A-171249	Bolt, 3/8-24 NF 1-1/2" Long, Grade 8	1
109	2184	Locknut, 3/8-24 NF	1
135	A-132084	Rivet, 1/4"	20
210	A-176075	Shackle, Chain Lug Plate <i>all early Tread Plate Models (manufactured prior to June 01, 1994)</i>	1
415	N/A	Identification Tag, Model Number, Serial Number (not available as a replacement part)	

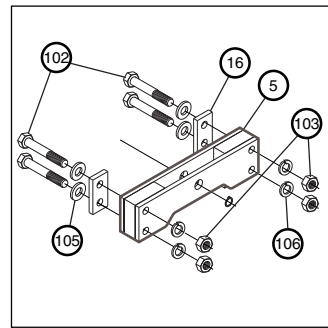
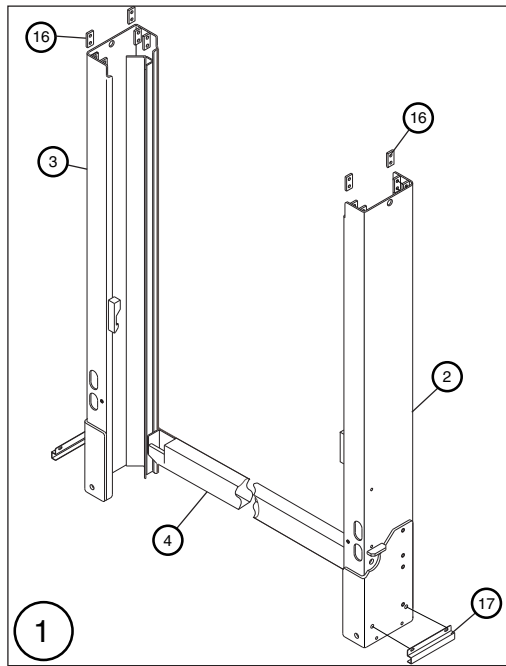
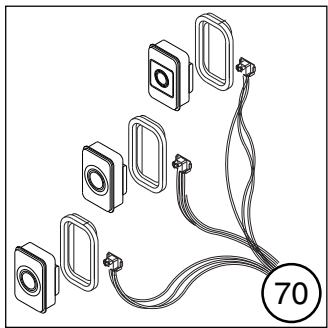
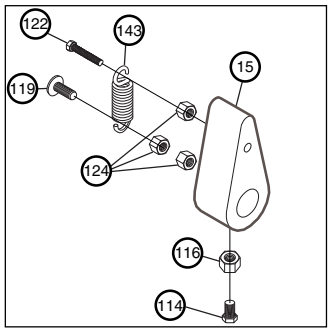
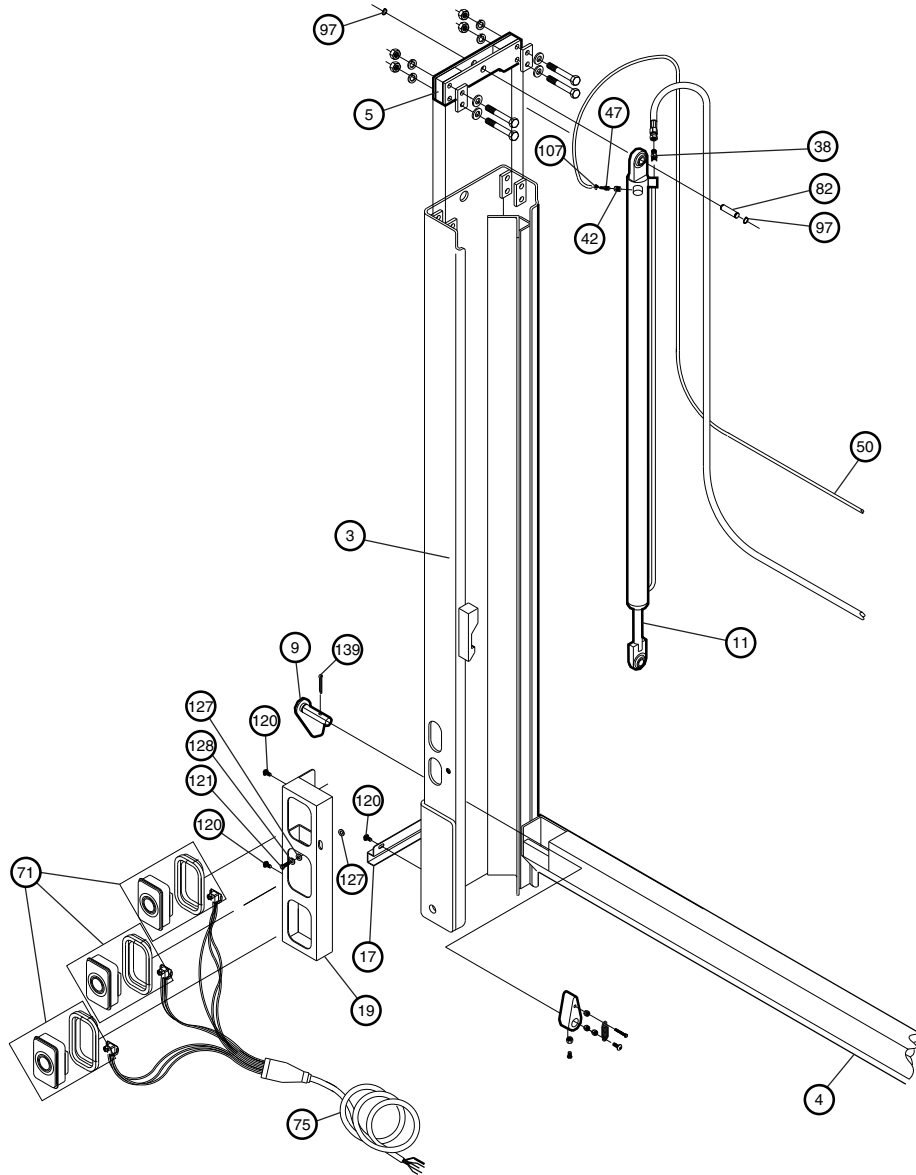


Item	Part No.	Description	Quantity
1	A-176548	H-Frame Weldment, Standard (96") Width - Includes Items (2), (3), (4), (16), and (17)	Specify One
	A-176549	H-Frame Weldment (102") Width - Includes Items (2), (3), (4), (16), and (17)	
2	A-176402	Column Weldment, <i>Curbside</i> - Includes Part No. A-176811 (Item 417)	1
3	A-176403	Column Weldment, <i>Streetside</i>	1
4	A-176745	Floor Extension Cross-Member Weldment, 96" Wide ( <i>standard</i> )	Specify One
	A-176746	Floor Extension Cross-Member Weldment, 102" Wide	
5	A-176434	Cylinder Mount Weldment	1
9	A-176500	Handle, Latch Weldment, <i>Streetside</i>	1
11	A-130181	Lift Cylinder Assembly (#6 SAE ports)	1
15	A-176493	Latch Block	1
16	A-176109	Spacer Block	2
17	A-176490	Wire Guard Channel	1
19	A-176825	Light Bracket (Bolt-On), Two "Round" Hole - <i>Streetside</i>	Specify One
	A-176827	Light Bracket (Bolt-On), Three "Round" Hole - <i>Streetside</i>	
	A-176829	Light Bracket (Bolt-On), Three "Rectangular" Hole - <i>Streetside</i>	
38	A-130198	Fitting, Straight Adapter, Male JIC #6 X Male SAE #6	1
42	A-130193	Fitting, 90° Elbow, Male JIC #6 X Male SAE #10	1
47	A-130244	Fitting, Male SAE #6 X 1/4" Hose Barb (was A-130155, Gravity-Down)	1
50	A-130009	Hose Vent - 24 ft. Long (wire reinforced) This item may be cut to (20 feet or 12 feet) length as required	1
70	Specify with order	Lighting Kit - Standard (incandescent lamp). Specify usage - trailer or truck - three (3) per side	Specify Two <i>Curbside</i> and <i>Streetside</i>
	Specify with order	Lighting Kit - LED Type. Specify usage - trailer, specify two (2) or three (3) per side, or truck – three (3) per side. <b>Note:</b> Lighting Kits include the proper light brackets - Item Nos. 18 and 19, as specified	
71	A-133020	Light, Red Taillight - Stop and Turn Indicator With Grommet, Rectangular	Specify Qty.
	A-133064	Light, Red Taillight - Stop and Turn Indicator With Grommet, Round (LED)	
75	A-133018	Wire Harness, Taillight, <i>Streetside</i> (L/H) - Trucks (6 ft. length)	Specify One
	A-133023	Wire Harness, Taillight, <i>Streetside</i> (L/H) - Trailers (12 ft. length)	

**Parts list is continued on next page.**



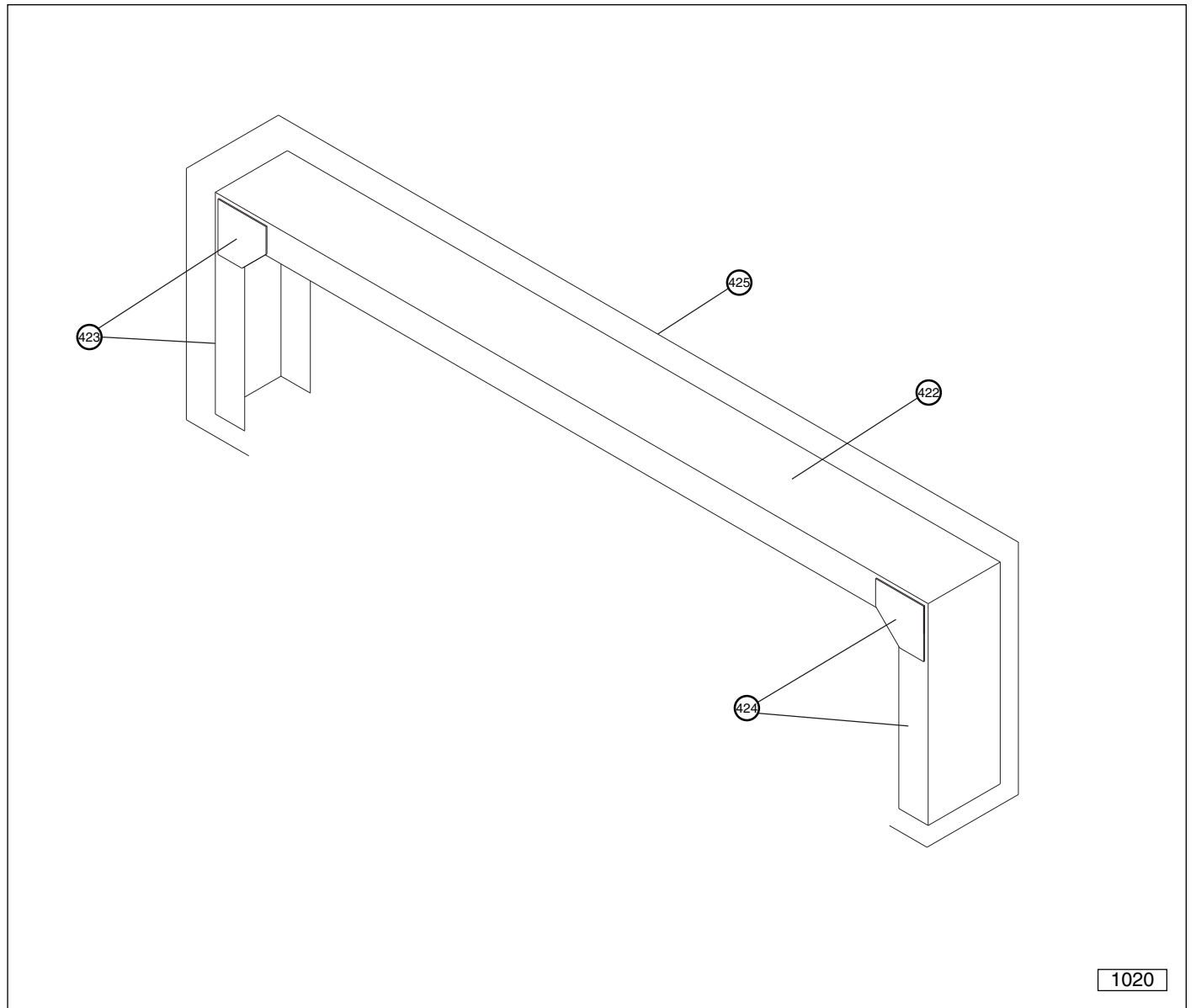
<i>Item</i>	<i>Part No.</i>	<i>Description</i>	<i>Quantity</i>
82	A-176813	Pin, Upper - Lift Cylinder, 3/4" Dia., 3,500 and 4,500 lb. Capacity	Specify One
	A-176460	Pin, Upper - Lift Cylinder, 3/4" Dia., 5,500 and 6,500 lb. Capacity	
97	473	3/4" Retaining Ring (snap ring)	2
102	A-132019	Bolt, 1/2-13 NC X 4" Long, Grade 8 (replaces item A-176546, 3-1/2" long)	4
103	3139	Hex Nut, 1/2-13 NC	4
105	A-150065	Flat Washer, 1/2" SAE	4
106	1691	Lockwasher, 1/2" (helical)	4
107	A-170260	Hose Clamp (stainless steel)	1
114	A-132018	Set Screw, 3/8-16 X 1" Long	1
116	P-162	Nut, Hex, 3/8-16	1
119	S-117001	Bolt, Button, Allen Head, 5/16-18 NC X 1 1/2" Long (stainless steel)	1
120	2145	Bolt, 5/16-18 NC X 1" Long, Whiz-Lock™	4
121	870	Bolt, 5/16-18 X 1-1/4" Long	1
122	869	Bolt, 5/16-18 NC X 2" Long	1
124	4164	Nut, 5/16-18 NC (runner latch)	3
127	2110	Flat Washer, 5/16"	2
128	6611	Lockwasher, 5/16" (helical)	1
139	AR-18-69	Cotter Pin, 3/16" X 1 3/4" Long	1
143	A-176497	Spring (extension), Latch	1







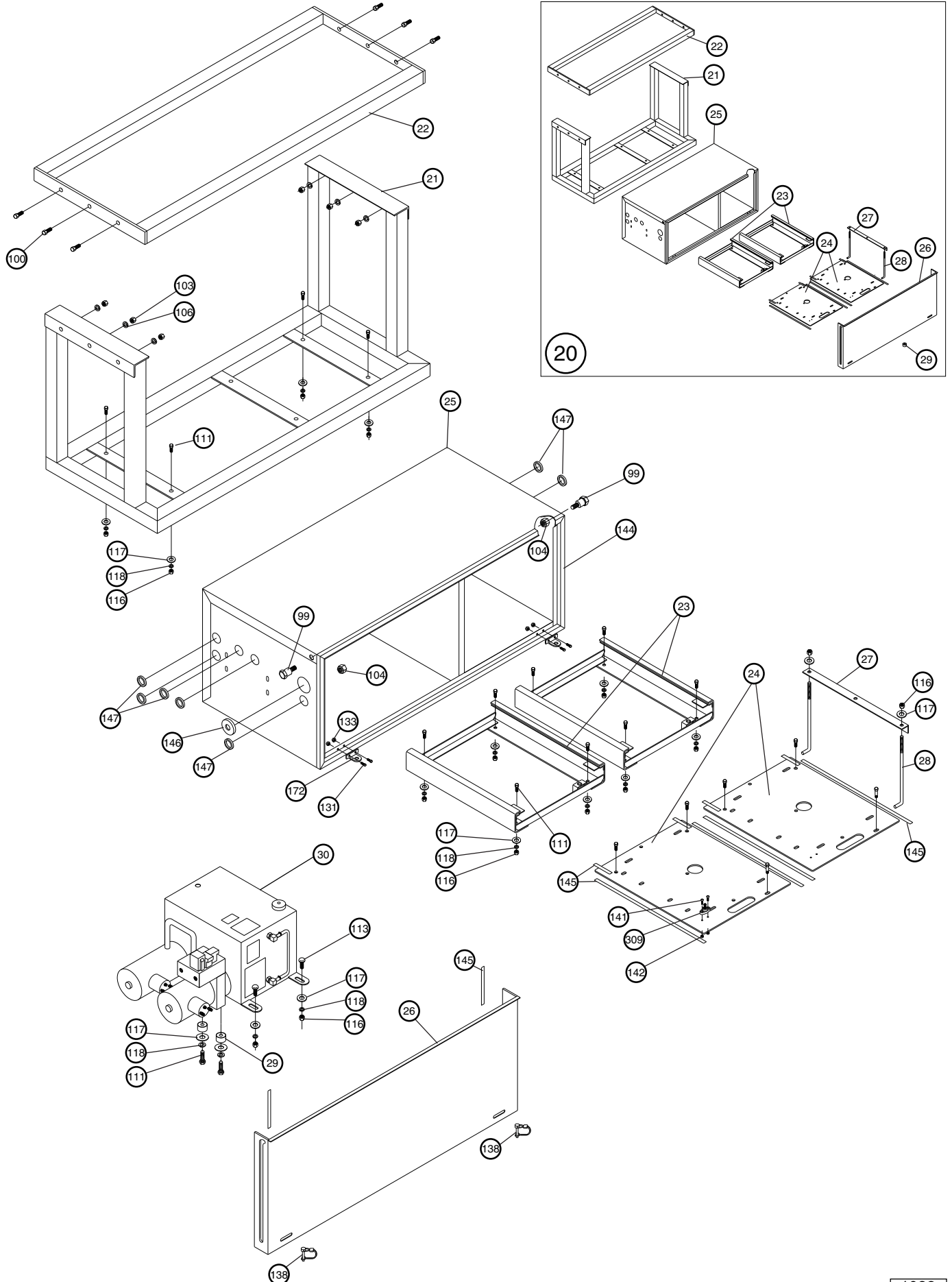
<i>Item</i>	<i>Part No.</i>	<i>Description</i>	<i>Quantity</i>
422	A-176602	Header Top Panel - 96" Wide Version	1
	A-176603	Header Top Panel - 102" Wide Version	
423	A-176960	Side Panel Weldment - Left Hand ( <i>Streetside</i> )	1
424	A-176961	Side Panel Weldment - Right Hand ( <i>Curbside</i> )	1
425	A-176600	Header Kit - Complete (sides and top panels) - 96" Wide Version	1
	A-176601	Header Kit - Complete (sides and top panels) - 102" Wide Version	



<i>Item</i>	<i>Part No.</i>	<i>Description</i>	<i>Quantity</i>
20	A-176886	MRT Pump Enclosure (assembly - includes item Nos. 21 through 29, plus all specific hardware required for assembly)	1
21	A-176872	Mounting Frame Weldment	1
22	A-176880	Housing Frame, Top Weldment	1
23	A-176861	Mounting Plate Weldment	2
24	A-176862	Tray Weldment	2
25	A-176883	Pump Enclosure, Riveted	1
26	A-176885	Pump Box Door	1
27	A-171317	Battery Tie-Down	1
28	A-171318	Battery Tie-Down Rod	2
29	A-176739	Pump Spacer Block	2
30	A-130182	MRT Power Pack Unit, Dual - Gravity Down (includes items 300-315)	Specify One
	A-130202	MRT Power Pack Unit, Dual - Power Down, On-Demand (includes items 300-315)	
99	A-132063	Shoulder Bolt, 1/2-13 NC X 3/4" Long	2
100	ATU-260	Bolt, Hex Head, 1/2-13 NC X 1-1/4" Long	6
103	3139	Hex Nut, 1/2-13 NC	6
104	880	Jam Nut, 1/2-13 NC	2
106	1691	Lockwasher, 1/2" (helical)	6
111	874	Bolt, 3/8-16 NC X 1" Long	14
113	ATU-178	Carriage Bolt, 3/8-16 NC X 1" Long	4
116	P-162	Hex Nut, 3/8-16 NC	18
117	2058	Flat Washer, 3/8" SAE	18
118	2054	Lockwasher, 3/8" (helical)	16
131	A-132035	Cap Screw, 1/4-20 NC X 3/4" Long	4
133	ATU-369	Locknut, 1/4-20 NC	4
138	ATU-344	Snap Pin, 1/4"	2
141	2001	Screw, #10-32 X 1/2" Long	2
142	A-132071	Nut, Hex #10-32 Nylok™ (stainless steel)	2
144	A-176854	Gasket, D Profile (foam rubber)	As Required
145	A-176855	Tape 0.030" Thick X 1/2" Wide, Self-Adhering (plastic)	As Required
146	A-176739	Grommet, Rubber	1
147	ATU-137	Grommet, Rubber	7
172	A176899	Latch Eye - Pump Box	2
309	A-133099	Power Post, 12 VDC (used with thermal-protected motors)	1

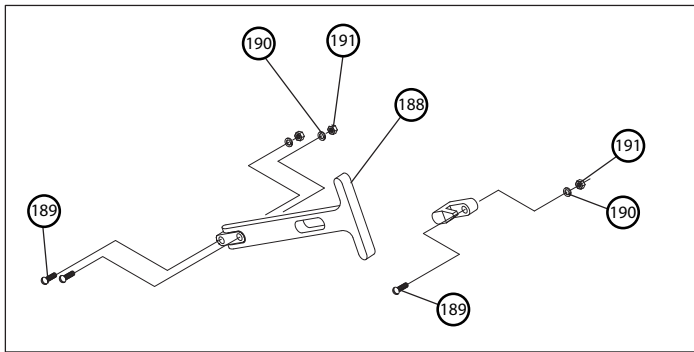
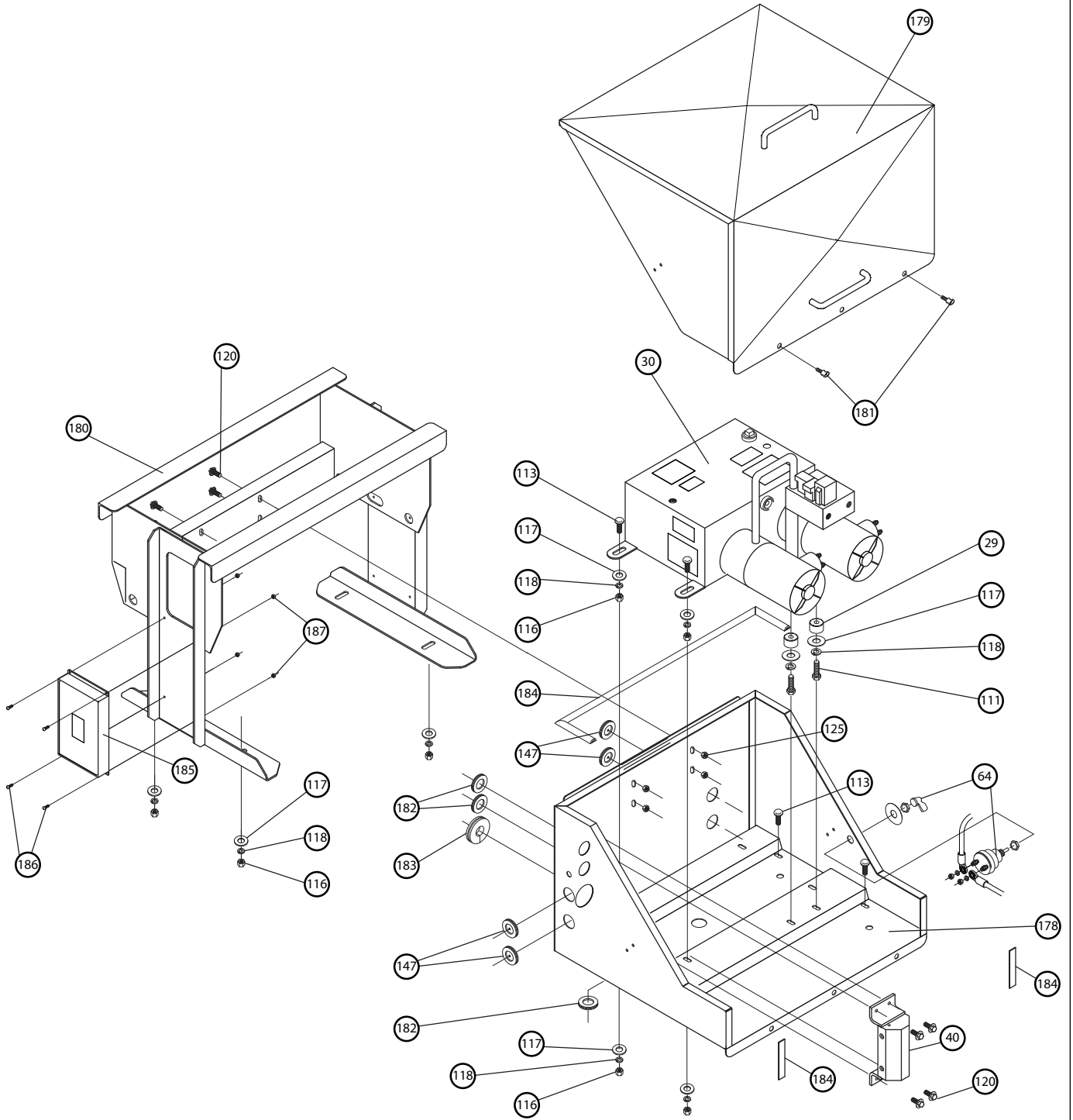
# Power Pack and Battery Enclosure

MRT-3500/4500GB-SF



1022

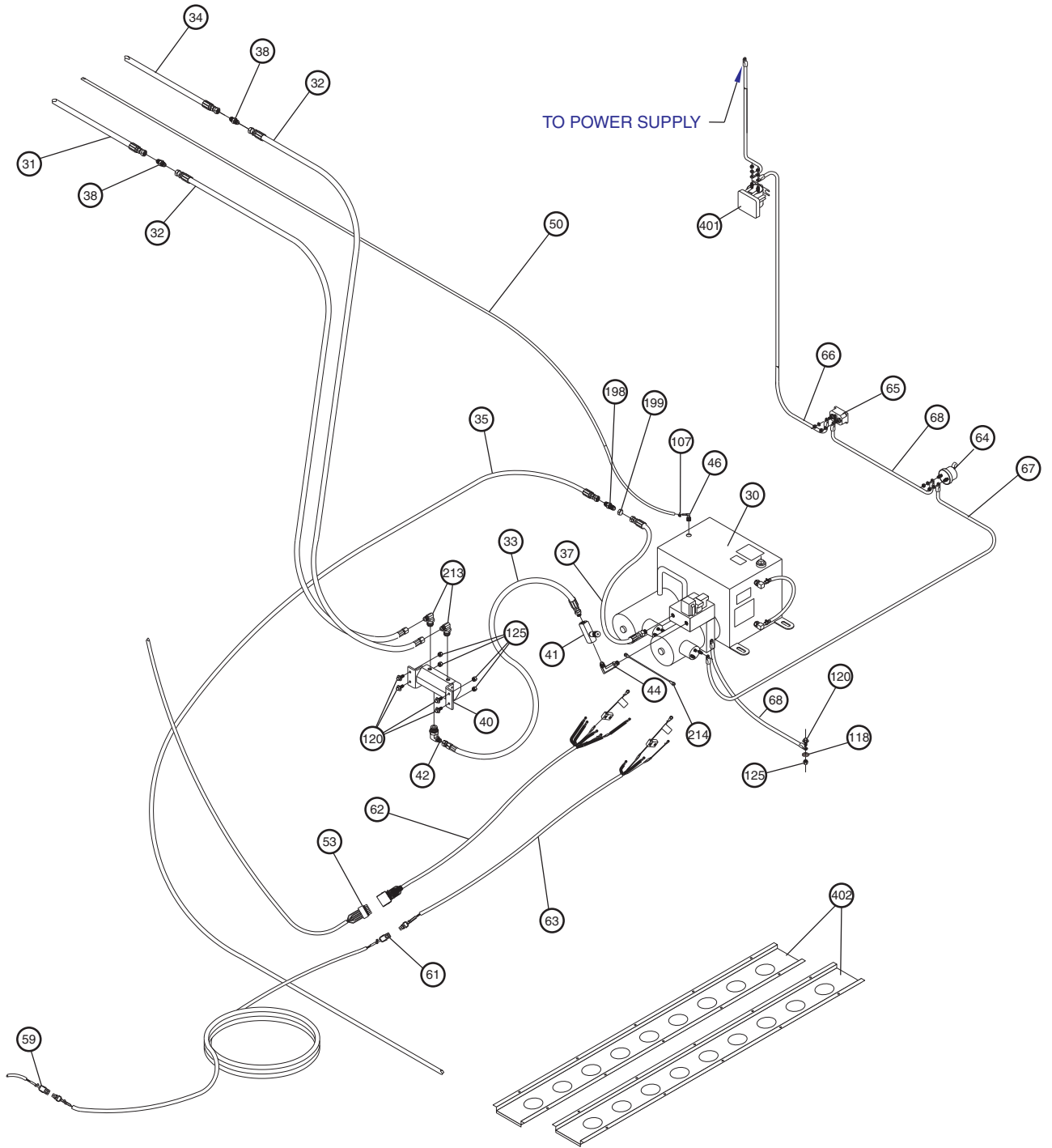
<i>Item</i>	<i>Part No.</i>	<i>Description</i>	<i>Quantity</i>
29	A-176739	Pump Spacer Block	2
30	A-130266	Power Pack Unit, Dual Pump/Motor - <b>Gravity Down</b> (includes items 300-315)	Specify One
	A-130202	Power Pack Unit, Dual Pump/Motor - <b>Power Down On-Demand</b> (includes items 300-315)	
40	A-176487	Flow Divider/Combiner Valve	1
64	A-150031	Power Cut-off Switch, 12 VDC	1
111	874	Bolt, 3/8-16 NC X 1" Long	2
113	ATU-178	Carriage Bolt, 3/8-16 X 1" Long	4
116	P-162	Hex Nut, 3/8-16	19 - 20 +2
117	2058	Flat Washer, 3/8" SAE	20
118	2054	Lockwasher, 3/8" (helical)	23
120	2145	Bolt, 5/16-18, X 1" Long, Whiz-Lock™	8
125	2114	Nut, Hex, 5/16-18 NC, Whiz-Lock™ (serrated flange lock)	4 Ea. - 8 Ea.
147	ATU-137	Grommet, Rubber	9
178	A-177012	Pump Box Body Section - Mid 2007 and After	1
179	A-177008	Pump Box Lid (cover) - Mid 2007 and After	1
180	A-177001	Pump Box Carrier Frame - Mid 2007 and After	1
181	A-132029	Screw, Thumb	2/Enclosure
182	ATU-229	Grommet, Blind (fits in 1 3/8" hole)	As Needed
183	A-176812	Grommet, 3/4" ID (fits in 2 1/4" hole)	1
184	A-177044	Weather Strip Kit (cut and fit, as needed)	1
185	A-133227	Receiver Box (wireless control, optional equipment)	1
186	2001	Screw (for optional receiver control)	4
187	A-132071	Nut, Lock (for optional receiver control)	4
188	A-132128	Latch (rubber, 2-pcs., latch and catch)	2
189	5420	Screw (for latches)	6
190	A-132080	Lock Washer (for latches)	6
191	3514	Nut (for latches)	6



# Power Pack and Lines (Gravity-Down)

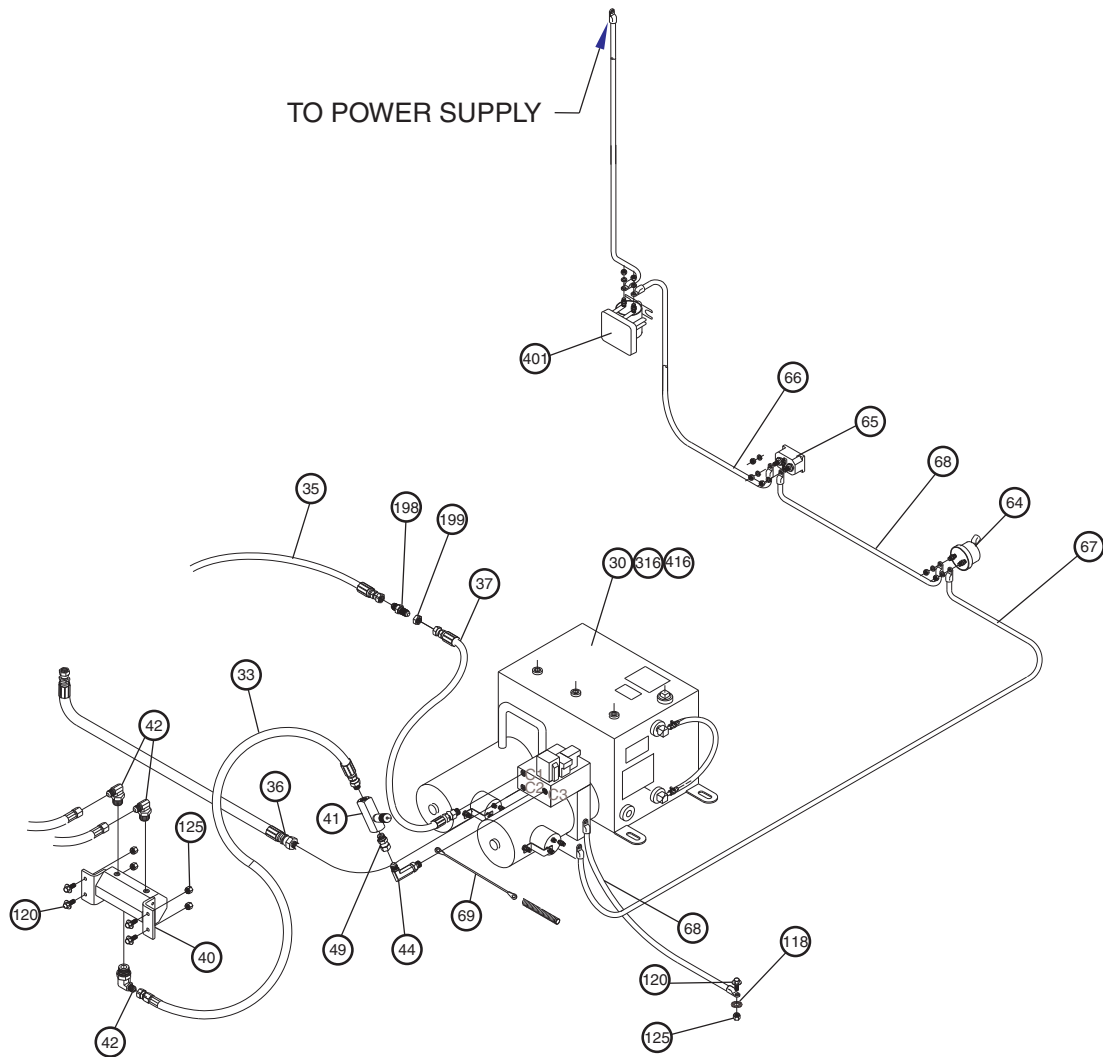
MRT-3500-6500-SF

Item	Part No.	Description	Quantity
30	A-130266	Power Pack Unit, Dual Pump/Motor - <b>Gravity Down</b>	1
31	A-130221	Hydraulic Hose Assembly - 3/8", Female JIC #6, 20 ft. Long	1
32	A-130222	Hydraulic Hose Assembly - 3/8", Female JIC #6, 10 ft. Long	2
33	A-130123	Hydraulic Hose Assembly - 3/8" X 36" Long (high-pressure)	1
34	A-130196	Hydraulic Hose Assembly - 3/8" X 12 ft. Long (high-pressure)	1
35	A-130188	Hydraulic Hose Assembly - 1/4" X 12 ft. Long, Closer Cylinder	1
37	A-130234	Hydraulic Hose Assembly - 1/4", Female JIC #6, SAE #6, 33" Long	1
38	A-130198	Fitting, Straight Adapter, Male JIC #6 X Male SAE #6	2
40	A-176487	Flow Divider/Combiner Valve	1
41	A-130184	Flow Control Valve, Adjustable	1
42	A-130193	Fitting, 90° Elbow, Male JIC #6 X Male SAE #10	1
44	A-130197	Fitting, 90° Elbow, Male, #6 Size, Extra Long (old)	Specify One
	A-130257	Fitting, 90° Elbow, Male, #8 Size, Extra Long (new)	
46	A-130155	Fitting, 90° - 3/8 NPT X 1/4" Hose Barb (gravity-down models only)	1
50	A-130009	Hose, Vent, 1/4" I.D. X 1/2" O.D. - 24 ft. Long (wire reinforced) <b>Note:</b> This item may be cut to (12 feet or 20 feet) length as required	1
53	A-133102	Switch and Wire Harness, Gravity-Down (epoxy-potted assembly)	Specify One
	(Call Factory)	Switch and Wire Harness, Power-Down (epoxy-potted assembly)	
59	A-133103	Switch and Wire Harness, Gravity-Down (epoxy-potted assembly)	Specify One
	A-133104	Switch and Wire Harness, Power-Down (epoxy-potted assembly)	
61	A-133100	Wire, Column Control Cable	1
62	A-133101	Wire, Runner Control Cable	1
63	A133106-1	Extension Cord Assembly - Runner Control, 16/4 X 18 ft. Long	Specify One
	A133106-2	Extension Cord Assembly - Runner Control, 16/4 X 30 ft. Long	
64	A-150031	Power Cut-off Switch, 12 VDC	1
65	A-150495	Circuit Breaker, 150 Amp	1
66	A133099-420	Power Cable, 12 VDC, #1 OT X 35 ft. Long	1
67	A133099-49	Power Cable, 12 VDC, #1 OT X 48" Long	1
68	A133099-16	Power Cable, 12 VDC, #1 OT X 16" Long	2
107	A-170260	Hose Clamp (stainless steel)	1
118	2054	Lockwasher, 1/2" (helical)	1
120	2145	Bolt, 5/16-18 NC X 1" Long, Whiz-Lock™	5
125	2114	Nut, Hex, 5/16-18 NC Whiz-Lock™ (serrated flange lock)	5
198	A-130157	Bulkhead Union Adapter, Male JIC #6 X Male JIC #6	1
199	A-130158	Lock Nut for Bulkhead Adapter	1
213	A-130193	Fitting, 90° Elbow, Male JIC #6 X Male SAE #10 (old)	Specify Two
	A-130252	Fitting, Straight, Male JIC #8 X Male SAE #10 (new)	
214	A-133109	Jumper Wire Assembly (from solenoid to solenoid)	1
401	A-171460	Battery Separator (optional)	1
402	A-176765	Hose Tray	2



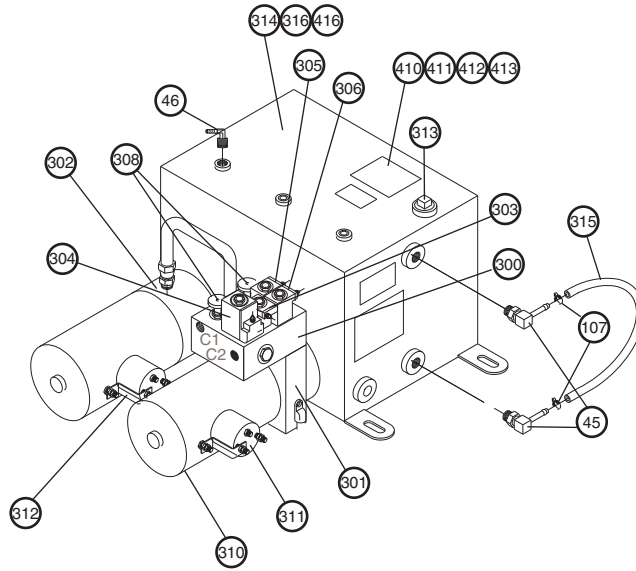
<i>Item</i>	<i>Part No.</i>	<i>Description</i>	<i>Quantity</i>
30	A-130202	Power Pack Unit, Dual Pump/Motor - <b>Power Down On-Demand</b> (includes items 300-315)	1
33	A-130123	Hydraulic Hose Assembly - 3/8" X 36" Long (high-pressure)	1
35	A-130188	Hydraulic Hose Assembly - 1/4" Closer Cylinder	1
36	A-130206	Hydraulic Hose Assembly - 1/2", Female JIC #6, SAE #10, 24" Long	1
37	A-130234	Hydraulic Hose Assembly - 1/4", Female JIC #6, SAE #6, 33" Long	1
40	A-176487	Flow Divider/Combiner Valve	1
41	A-130184	Flow Control Valve, In-line, Adjustable (SAE #6 ports)	1
	A-130255	Flow Control Valve, In-line, Adjustable (SAE #6 ports) <b>Note:</b> Use A-130255 if your liftgate is this serial number or after, depending on your model, MRT-3500 s/n 81748, 4500 s/n 82029, 5500 s/n 81747, and 6500 s/n 77433	Choose size accordingly
42	A-130193	Fitting, 90° Elbow, Male JIC #6 X Male SAE #10	1
44	A-130197	Fitting, 90° Elbow, Male JIC #6 X Male SAE #6, Extended Leg	1
49	A-130151	Fitting, Tee, Male JIC #6 (power-down, on-demand models only)	1
64	A-150031	Power Cut-off Switch, 12 VDC	1
65	A-150495	Circuit Breaker, 150 Amp	1
66	A133099-420	Power Cable, 12 VDC, #1 OT X 35 ft. Long	1
67	A133099-49	Power Cable, 12 VDC, #1 OT X 48" Long	1
68	A133099-16	Power Cable, 12 VDC, #1 OT X 16" Long	2
69	A-133109	Wire, Jumper	1
120	2145	Bolt, 5/16-18 NC X 1" Long, Whiz-Lock™	5
125	2114	Nut, Hex, 5/16-18 NC Whiz-Lock™ (serrated flange lock)	5
198	A-130157	Bulkhead Union Adapter, Male JIC #6 X Male JIC #6	1
199	A-130158	Lock Nut for Bulkhead Adapter	1
316	A-150016	Pump Filter Replacement	2 each
401	A-171460	Battery Separator (optional)	1
416	A-150016	Pump Filter Replacement, MRT Dual Power Pack Unit - All Units	2



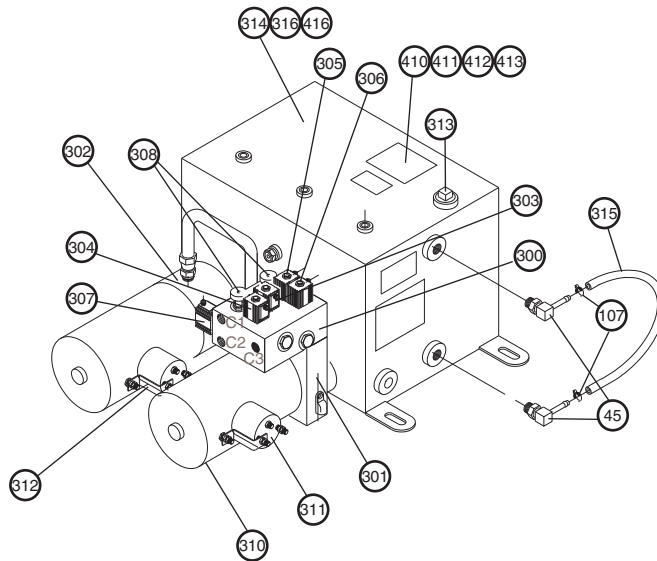


<b>Item</b>	<b>Part No.</b>		<b>Description</b>	<b>Quantity</b>
45	A-130031		Fitting, 90° - 3/8 NPT X 1/4" Hose Nipple (extended)	2
46	A-130155		Fitting, 90° - 3/8 NPT X 1/4" Hose Barb (gravity-down models only)	1
107	A-170260		Hose Clamp (stainless steel)	2
	<i>Gravity Down</i>	<i>Power Down</i>		
300	A-176681	A-176682	Valve Assembly (block)	Specify One
301	A-176679	A-176679	Hi-Flow Pump (square) - Unit Item (unit replacement only)	Specify One
302	#02933	#02933	Hi-Flow Pump (round) - Unit Item (unit replacement only)	Specify One
303	A-176314	A-176304	Cartridge Valve, RAISE (cartridge and coil), Unit Item, 3-Way, 2-Position	RAISE Specify One -----
	A-176316	A-176316	Coil, RAISE (coil only), 12 VDC	Specify One
304	A-176305	A-176305	Cartridge Valve, Lower (cartridge and coil), Unit Item, 2-Way, 2-Position	LOWER Specify One -----
	A-176315	A-176315	Coil, LOWER (coil only), 12 VDC	Specify One
305	A-176305	A-176305	Cartridge Valve, Open (cartridge and coil), Unit Item, 2-Way	OPEN Specify One -----
	A-176316	A-176316	Coil, OPEN (coil only), 12 VDC	Specify One
306	A-176304	A-176304	Cartridge Valve, Close (cartridge and coil), Unit Item, 3-Way, 2-Position	CLOSE Specify One -----
	A-176316	A-176316	Coil, Close (coil only), 12 VDC	Specify One
307	N/A	A-176304	Cartridge Valve, Power-Down (cartridge and coil), 3-Way 2-Position	POWER DOWN Specify One
	N/A	A-176316	Coil, Power Down (coil only), 12 VDC	ON-DEMAND
308	A-130204	A-130204	Needle Valve (adjustable) - Open and/or Close Adjustment	2 each
310	A-176154	A-176154	12 VDC Motor - Unit Item (unit replacement only)	2 each
311	A-133128	A-133128	Solenoid Relay, 12 VDC Motor Run	2 each
312	-----	-----	Conducting Strap, Solenoid Relay	2 each
313	A-130033	A-130033	Reservoir Filler/Vent Cap	1 each
314	-----	-----	Reservoir - Includes Filler/Vent Cap	1 each
315	A-130172	A-130172	Hose, Sight/Level Tube, 1/4" I.D. X 1/2" O.D. 18" Long	1 each
316	A-150016	A-150016	Pump Filter Replacement	2 each
410	A-131030	131030	Decal (platform open/close speed)	1
411	-----	-----	Decal, NOTICE! DEXTRON (ONLY)	1
412	-----	-----	Decal, Mobile Oil Usage	1
413	ATU-424	ATU-424	Decal, WARNING	1
416	A-150016	A-150016	Pump Filter Replacement, MRT Dual Power Pack Unit - All Units	2

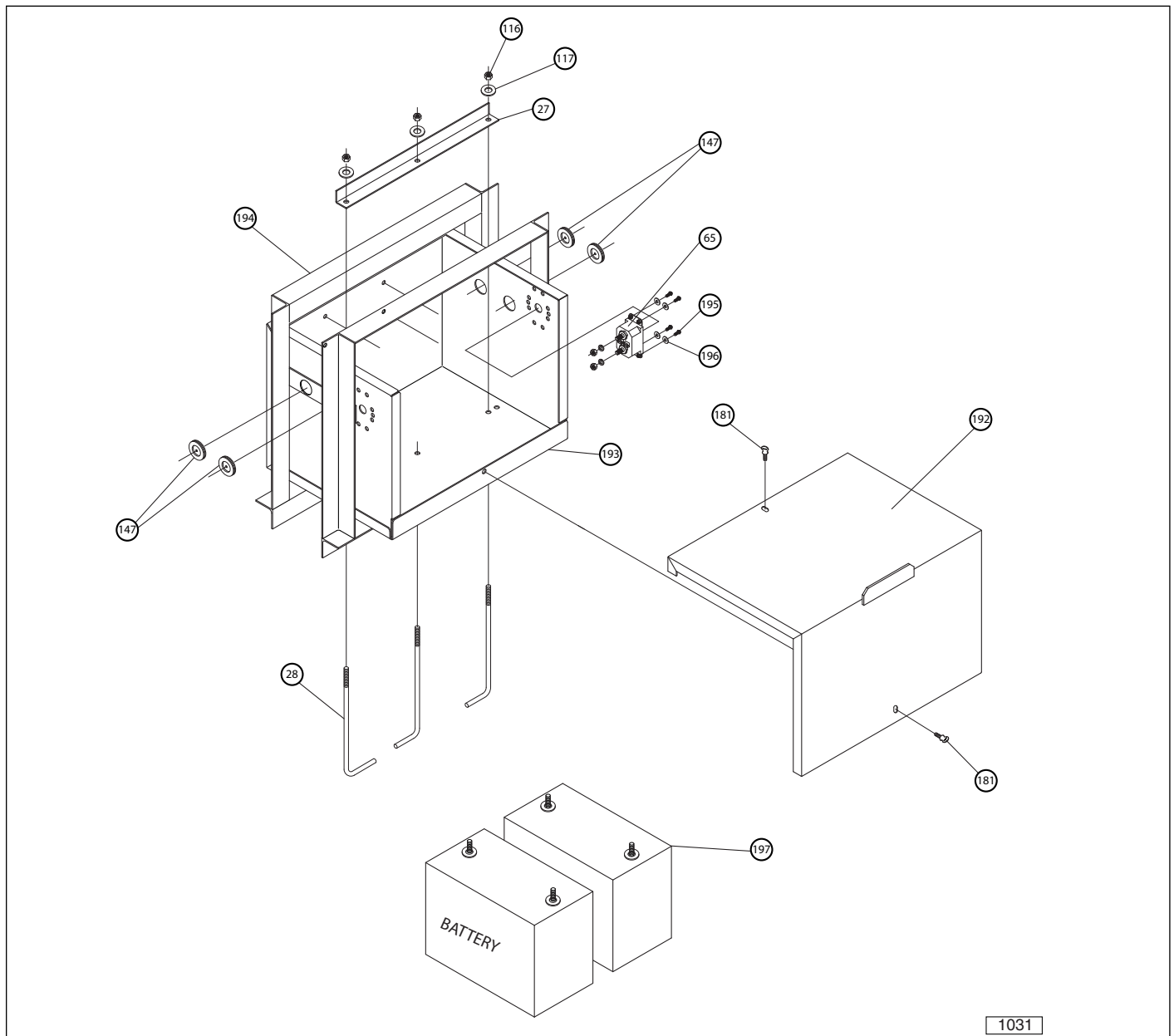
GRAVITY-DOWN, HI-FLOW, DUAL PUMP, 12VDC



POWER-DOWN, HI-FLOW, DUAL PUMP, 12VDC

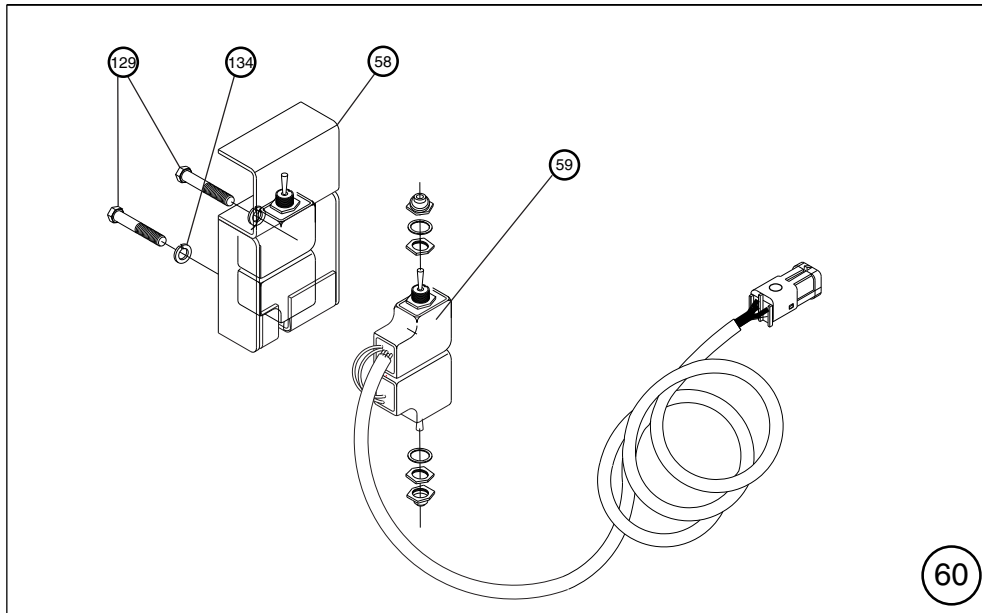


Item	Part No.	Description	Quantity
27	A-171317	Battery Tie-Down	1
28	A-171318	Battery Tie-Down Rod	2
65	A-150495	Circuit Breaker, 150 Amp	1
116	P-162	Hex Nut, 3/8-16	19 - 20 + 2
117	2058	Flat Washer, 3/8" SAE	20
147	ATU-137	Grommet, Rubber	9
181	A-132029	Screw, Thumb	2/enclosure
192	A-140147	Lid (cover) for Battery Box	1
193	A-140109	Body Section - Battery Box	1
194	A-140110	Carrier, Battery Box (frame only)	1
195	A-132135	Screw, #10-32 X 5/8" Long	4
196	A-132134	Flat Washer, #10	4
197	A-133201	Battery(s), 12 Volt DC	2

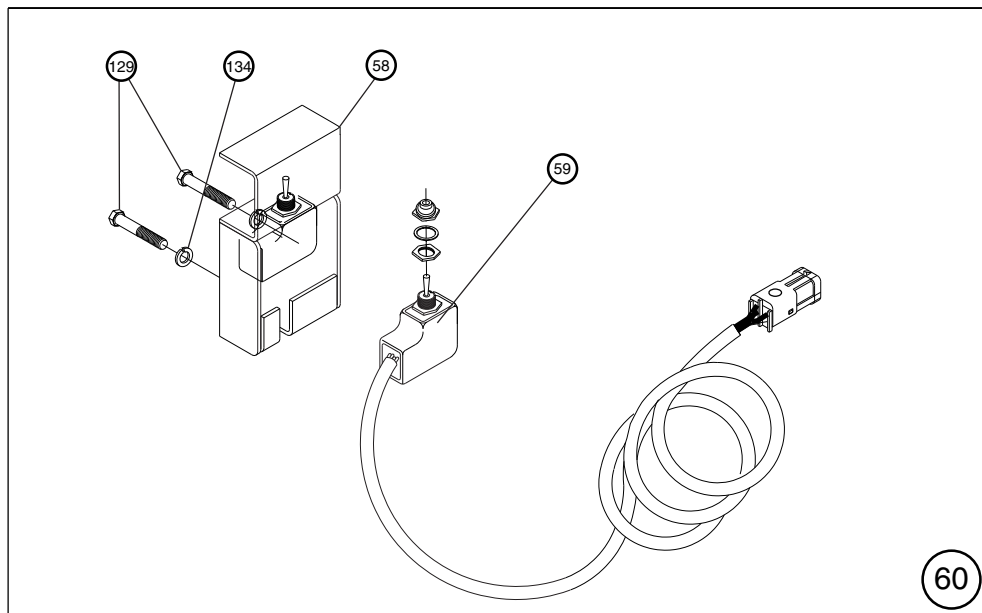


1031

Item	Part No.	Description	Quantity
58	A-176890	Runner Switchbox	1
59	A-133103	Switch and Wire Harness, Gravity-Down (epoxy-potted assembly)	Specify One
	A-133104	Switch and Wire Harness, Power-Down (epoxy-potted assembly)	
60	A-133107	Runner Switchbox Assembly (gravity-down control) - Unit Assembly	Specify One
	A-133108	Runner Switchbox Assembly (power-down control) - Unit Assembly	
129	ATU-358	Bolt, 1/4-20 NC X 2" Long	2
134	33618	Lockwasher, 1/4"	2



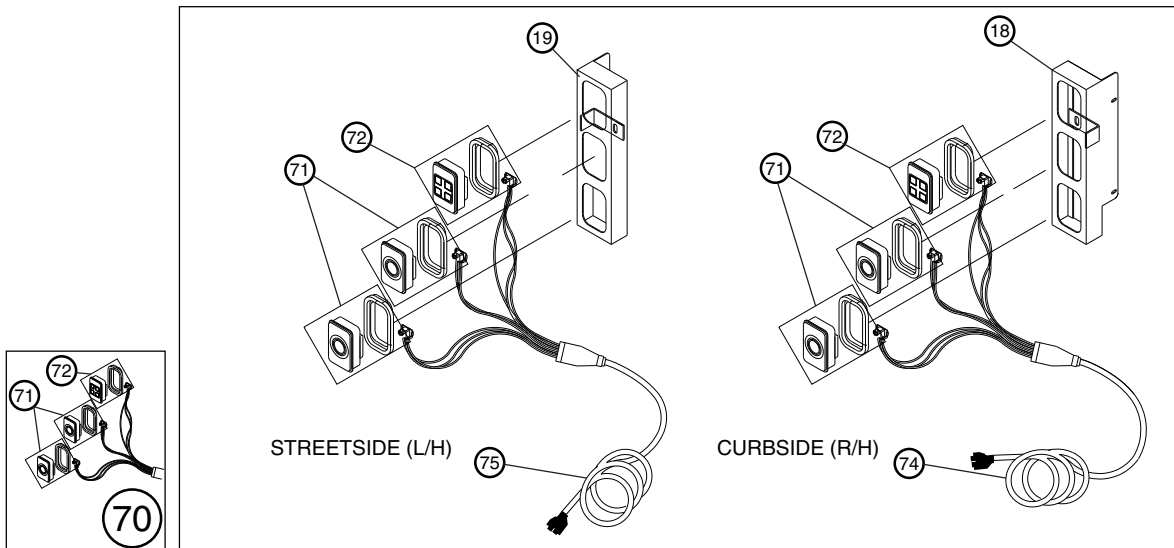
POWER-DOWN, ON DEMAND CONTROL SWITCH



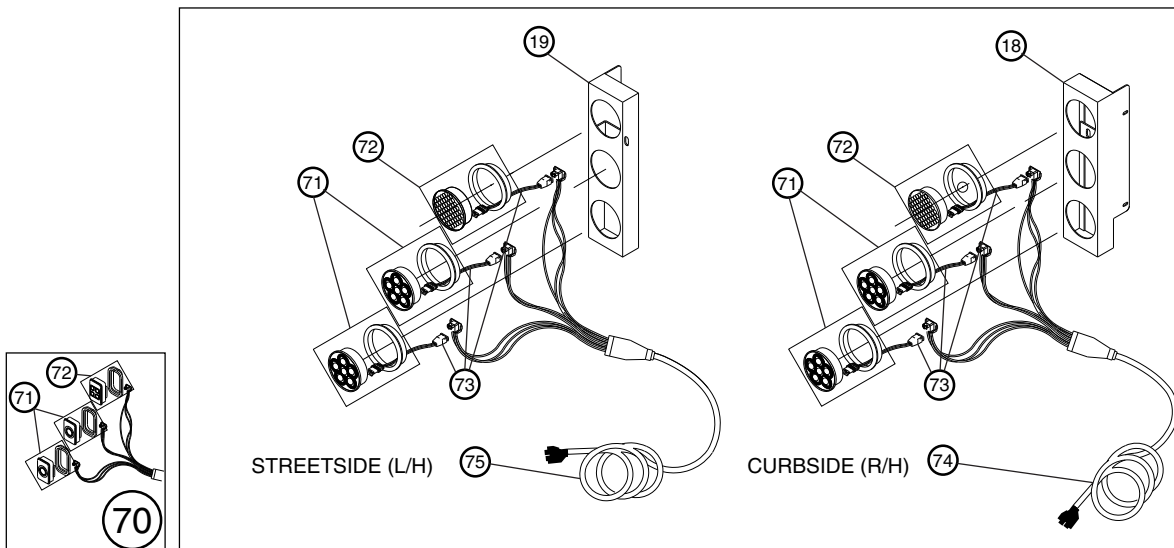
GRAVITY-DOWN CONTROL SWITCH

1026

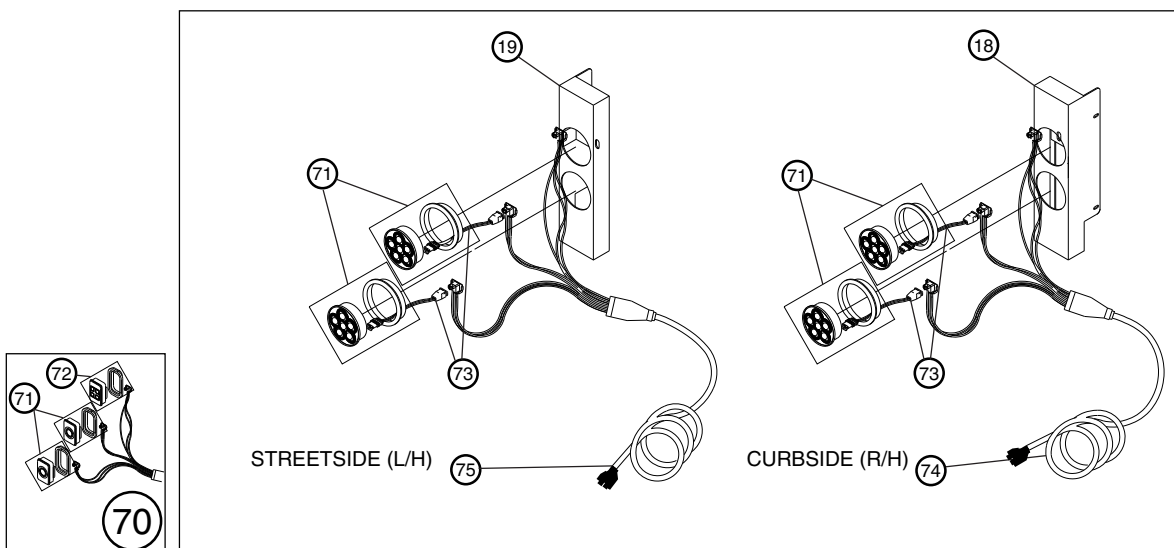
<i>Item</i>	<i>Part No.</i>	<i>Description</i>	<i>Quantity</i>
18	A-176824	Light Bracket (bolt-on), Two "Round" Hole - <i>Curbside</i>	Specify One
	A-176826	Light Bracket (bolt-on), Three "Round" Hole - <i>Curbside</i>	
	A-176826	Light Bracket (bolt-on), Three "Rectangular" Hole - <i>Curbside</i>	
19	A-176825	Light Bracket (bolt-on), Two "Round" Hole - <i>Streetside</i>	Specify One
	A-176827	Light Bracket (bolt-on), Three "Round" Hole - <i>Streetside</i>	
	A-176829	Light Bracket (bolt-on), Three "Rectangular" Hole - <i>Streetside</i>	
70	Specify with order	Lighting Kit - Standard (incandescent lamp). Specify usage - trailer or truck - three (3) per side	Specify Two <i>Curbside</i> and <i>Streetside</i>
	Specify with order	Lighting Kit - LED Type. Specify usage - trailer, specify two (2) or three (3) per side, or truck – three (3) per side. <b>Note:</b> Lighting Kits include the proper light brackets - Item Nos. 18 and 19, as specified	
71	A-133020	Light, Red Taillight - Stop and Turn Indicator With Grommet, Rectangular	Specify Qty.
	A-133064	Light, Red Taillight - Stop and Turn Indicator With Grommet, Round (LED)	
72	A-133021	Light, Red/Clear Taillight - Back-Up Indicator With Grommet, Rectangular	Specify Qty.
	A-133075	Light, Clear Taillight - Stop and Turn Indicator With Grommet, Round (LED)	
73	A-133076	Adapter, Pigtail (supplied with round (LED) lights)	Varies
74	A-133019	Wire Harness, Taillight, <i>Curbside</i> (R/H) - Trucks (6 ft. length)	Specify One
	A-133024	Wire Harness, Taillight, <i>Curbside</i> (R/H) - Trailers (12 ft. length)	
75	A-133018	Wire Harness, Taillight, <i>Streetside</i> (L/H) - Trucks (6 ft. length)	Specify One
	A-133023	Wire Harness, Taillight, <i>Streetside</i> (L/H) - Trailers (12 ft. length)	



STANDARD FILAMENT LIGHTING KIT - THREE LAMP

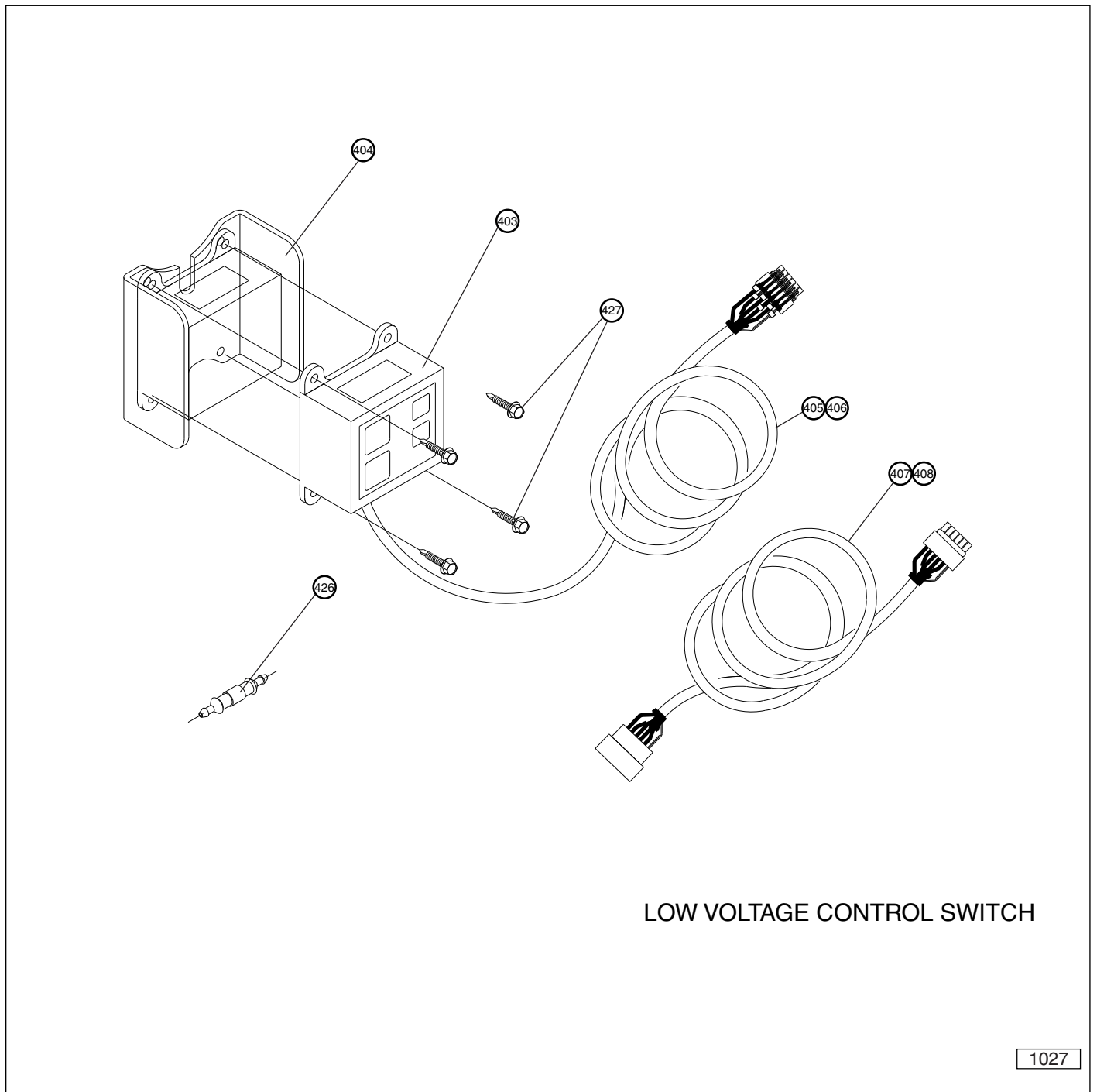


LED LIGHTING KIT - THREE LAMP



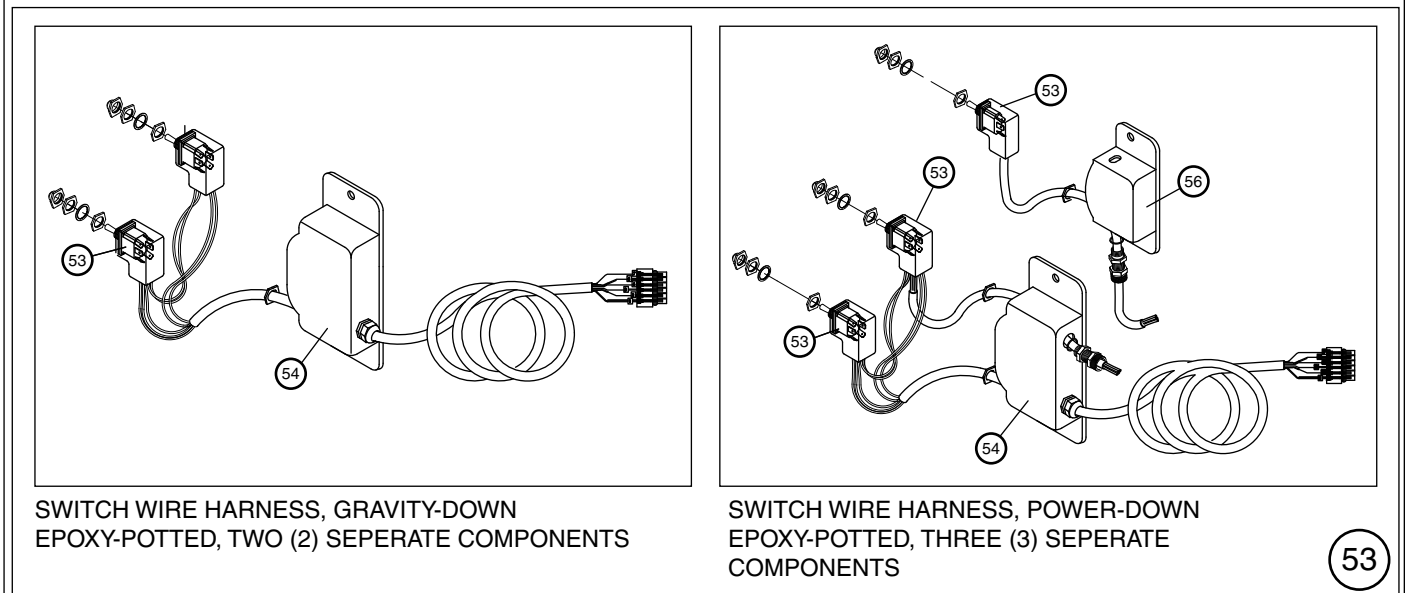
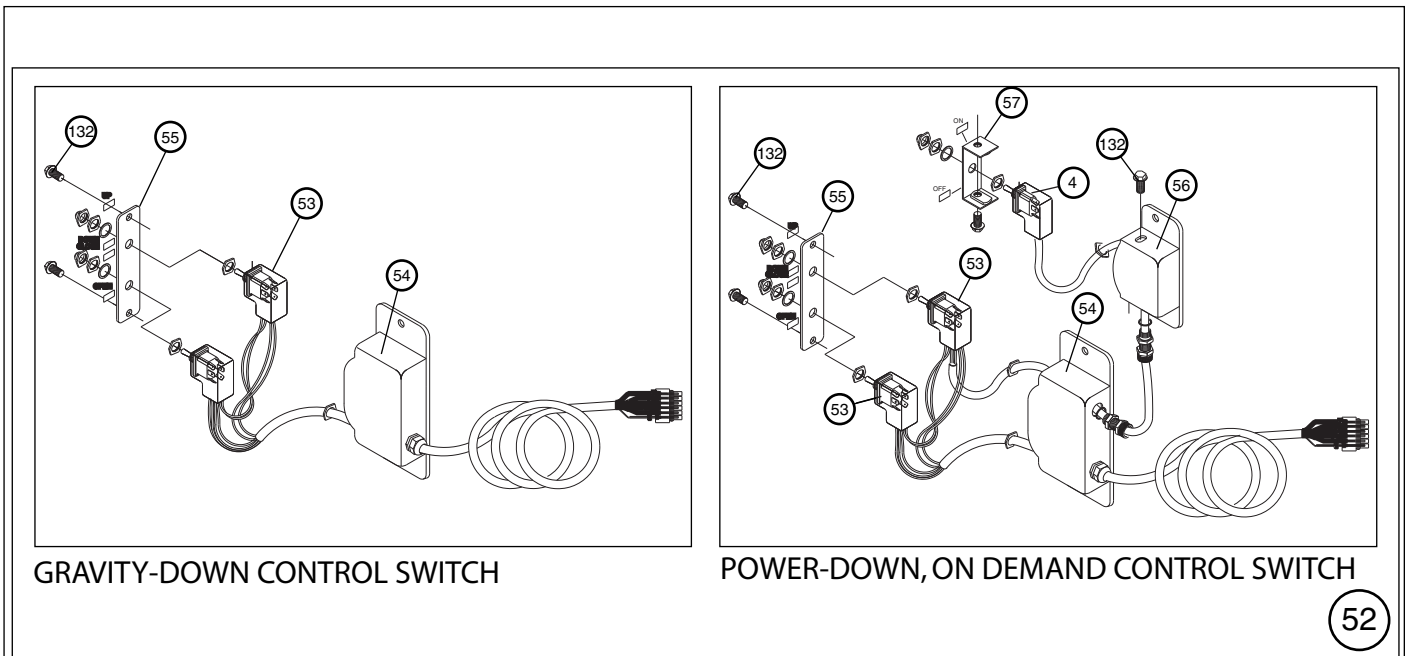
LED LIGHTING KIT - TWO LAMP

Item	Part No.	Description	Quantity
403	A-133179	LVC Control Box, MRT LVC Switchbox Control (mounts on chassis)	1
404	ATU-748	LVC Selector Switch and Mounting Bracket	1
405	-----	LVC Control Pigtail Wire	1
406	-----	LVC Selector Pigtail Wire	1
407	-----	LVC Control Extension Cable	1
408	-----	LVC Selector Extension Cable	1
409	-----	LVC Diode	1
426	-----	Connector	1
427	-----	Screw	4





Item	Part No.	Description	Quantity
52	A-176764	Switch Assembly (gravity-down control) (column box)	Specify One
	A-133160	Switch Assembly (power-down control) (column box)	
53	A-133102	Switch and Wire Harness, Gravity-Down (epoxy-potted assembly)	Specify One
	(Call Factory)	Switch and Wire Harness, Power-Down (epoxy-potted assembly)	
54	A-176700	Control Box Weldment - Column (full function), Gravity-Down	Specify One
	A-176793	Control Box Weldment - Column (full function), Power-Down	
55	A-176703	Switch Mounting Panel, Gravity-Down and Power-Down (lower box)	1
56	A-176780	Control Box Weldment, Power-Down (upper box)	1
57	AR-18-235	Switch Mounting Panel, Power-Down (upper box)	1
58	A-176890	Runner Switchbox	1
132	2029	Nut, 1/4-20 NC, Whiz-Lock™	2/4



1029

## Complete Itemized Parts List

<b>Item</b>	<b>Part No.</b>	<b>Description</b>	<b>Quantity</b>
1	A-176548	H-Frame Weldment, Standard (96") Width - Includes Items (2), (3), (4), (16), and (17)	Specify One
	A-176549	H-Frame Weldment (102") Width - Includes Items (2), (3), (4), (16), and (17)	
2	A-176402	Column Weldment, <i>Curbside</i> - Includes Part No. A-176811 (item 417)	1
3	A-176403	Column Weldment, <i>Streetside</i>	1
4	A-176745	Floor Extension Cross-Member Weldment, 96" Wide ( <i>standard</i> )	Specify One
	A-176746	Floor Extension Cross-Member Weldment, 102" Wide	
5	A-176434	Cylinder Mount Weldment	Specify Two
	A-176737	Cylinder Mount Weldment	
6	A-176410	Runner Weldment, <i>Curbside</i>	Specify One
	A-176730	Runner Weldment, <i>Curbside (Gas Bottle Models Only)</i>	
7	A-176411	Runner Weldment, <i>Streetside</i>	Specify One
	A-176731	Runner Weldment, <i>Streetside (Gas Bottle Models Only)</i>	
8	A-176499	Handle, Latch Weldment, <i>Curbside</i>	1
9	A-176500	Handle, Latch Weldment, <i>Streetside</i>	1
10	A-130180	Closer Cylinder Assembly (#6 SAE pressure port, 3/8 NPT vent port) - Includes Items 86 and 87	1
11	A-130181	Lift Cylinder Assembly (#6 SAE ports)	2
12	A-176434	Cylinder Mount Weldment	2
13	A-176429	Closer Clevis Weldment	1
14	A-176474	Runner Guide Weldment	1
15	A-176493	Latch Block	2
16	A-176109	Spacer Block	4
17	A-176490	Wire Guard Channel	2
18	A-176824	Light Bracket (bolt-on), Two "Round" Hole - <i>Curbside</i>	Specify One
	A-176826	Light Bracket (bolt-on), Three "Round" Hole - <i>Curbside</i>	
	A-176826	Light Bracket (bolt-on), Three "Rectangular" Hole - <i>Curbside</i>	
19	A-176825	Light Bracket (bolt-on), Two "Round" Hole - <i>Streetside</i>	Specify One
	A-176827	Light Bracket (bolt-on), Three "Round" Hole - <i>Streetside</i>	
	A-176829	Light Bracket (bolt-on), Three "Rectangular" Hole - <i>Streetside</i>	
20	A-176886	MRT Pump Enclosure (assembly - includes item Nos. 21 through 29, plus all specific hardware required for assembly)	1
21	A-176872	Mounting Frame Weldment	1
22	A-176880	Housing Frame, Top Weldment	1
23	A-176861	Mounting Plate Weldment	2
24	A-176862	Tray Weldment	2
25	A-176883	Pump Enclosure, Riveted	1
26	A-176885	Pump Box Door	1
27	A-171317	Battery Tie-Down	1
28	A-171318	Battery Tie-Down Rod	2
29	A-176739	Pump Spacer Block	2
30	A-130266	Power Pack Unit, Dual Pump/Motor - <b>Gravity-Down</b> (includes items 300-315)	Specify One
	A-130202	Power Pack Unit, Dual Pump/Motor - <b>Power-Down On-Demand</b> (includes items 300-315)	

<i>Item</i>	<i>Part No.</i>	<i>Description</i>	<i>Quantity</i>
31	A-130221	Hydraulic Hose Assembly - 3/8" (old)	1 or 2
	A-130250	Hydraulic Hose Assembly - 1/2" (new)	
32	A-130222	Hydraulic Hose Assembly - 3/8" (old)	2
	A-130251	Hydraulic Hose Assembly - 1/2" (new)	
33	A-130247	Hydraulic Hose Assembly - 3/8" (old)	Specify One
	A-130254	Hydraulic Hose Assembly - 1/2" (new) <b>Note:</b> Use A-130254 if your liftgate is this serial number or after, depending on your model, MRT-3500 s/n 81748, 4500 s/n 82029, 5500 s/n 81747 and 6500 s/n 77433.	
34	A-130196	Hydraulic Hose Assembly - 3/8" (high-pressure) (old)	1 or 2
	A-130251	Hydraulic Hose Assembly - 1/2" (high-pressure) (new)	
35	A-130188	Hydraulic Hose Assembly - 1/4" Closer Cylinder	1
36	A-130206	Hydraulic Hose Assembly - 1/2"	1
37	A-130234	Hydraulic Hose Assembly - 1/4"	1
38	A-130198	Fitting, Straight Adapter (#6 ends) (old)	3 or 4
	A-130258	Fitting, Straight Adapter (#8 ends) (new)	
39	Not Used		
40	A-176487	Flow Divider/Combiner Valve	1
41	A-130184	Flow Control Valve, In-line, Adjustable (SAE #6 ports)	Specify One
	A-130255	Flow Control Valve, In-line, Adjustable (SAE #6 ports) <b>Note:</b> Use A-130255 if your liftgate is this serial number or after, depending on your model, MRT-3500 s/n 81748, 4500 s/n 82029, 5500 s/n 81747, and 6500 s/n 77433	
42	A-130193	Fitting, 90° Elbow, Male JIC #6 X Male SAE #10 (old)	1
	A-130253	Fitting, 90° Elbow, Male JIC #8 X Male SAE #10 (new)	
43	A-130140	Fitting, 90° Elbow, Male JIC #6 X Male SAE #6	1
44	A-130197	Fitting, 90° Elbow, Male, #6 Size, Extra Long (old)	2
	A-130257	Fitting, 90° Elbow, Male, #8 Size, Extra Long (new)	
45	A-130031	Fitting, 90° - 3/8 NPT X 1/4" Hose Nipple (extended)	2
46	A-130155	Fitting, 90° - 3/8 NPT X 1/4" Hose Barb (gravity-down models only)	1
47	A-130244	Fitting, Male SAE #6 X 1/4" Hose Barb (was A-130155, Gravity-Down)	2
48	A-130015	Fitting, Tee, 1/4" Hose Barb (gravity-down models only)	1
49	A-130151	Fitting, Tee, Male JIC #6 (power-down, on-demand models only)	1
50	A-130009	Hose Vent - 24 ft. Long (wire reinforced) This item may be cut to (12 feet or 20 feet) length as required	1
51	A-130017	Plug, Vented, 3/8 NPT	1
52	A-176764	Switch Assembly (Gravity-Down Control) (column box)	Specify One
	A-133160	Switch Assembly (Power-Down Control) (column box)	
53	A-133102	Switch and Wire Harness, Gravity-Down (epoxy-potted assembly)	Specify One
	(Call Factory)	Switch and Wire Harness, Power-Down (epoxy-potted assembly)	
54	A-176700	Control Box Weldment - Column (full function), Gravity-Down	Specify One
	A-176793	Control Box Weldment - Column (full function), Power-Down	
55	A-176703	Switch Mounting Panel, Gravity-Down and Power-Down (lower box)	1
56	A-176780	Control Box Weldment, Power-Down (upper box)	1
57	AR-18-235	Switch Mounting Panel, Power-Down (upper box)	1
58	A-176890	Runner Switchbox	1

<b>Item</b>	<b>Part No.</b>	<b>Description</b>	<b>Quantity</b>
59	A-133103	Switch and Wire Harness, Gravity-Down (epoxy-potted assembly)	Specify One
	A-133104	Switch and Wire Harness, Power-Down (epoxy-potted assembly)	
60	A-133107	Runner Switchbox Assembly (gravity-down control) - Unit Assembly	Specify One
	A-133108	Runner Switchbox Assembly (power-down control) - Unit Assembly	
61	A-133100	Wire, Column Control Cable	1
62	A-133101	Wire, Runner Control Cable	1
63	A133106-1	Extension Cord Assembly - Runner Control, 16/4 X 18 ft. Long	Specify One
	A133106-2	Extension Cord Assembly - Runner Control, 16/4 X 30 ft. Long	
64	A-150031	Power Cut-off Switch, 12 VDC	1
65	A-150495	Circuit Breaker, 150 Amp	1
66	A133099-420	Power Cable, 12 VDC, #1 OT X 35 ft. Long	1
67	A133099-49	Power Cable, 12 VDC, #1 OT X 48" Long	1
68	A133099-16	Power Cable, 12 VDC, #1 OT X 16" Long	2
69	A-133109	Wire, Jumper - Solenoid to Solenoid	1
70	Specify with order	Lighting Kit - Standard (incandescent lamp). Specify usage - trailer or truck - three (3) per side	Specify Two <i>Curbside and Streetside</i>
	Specify with order	Lighting Kit - LED Type. Specify usage - trailer, specify two (2) or three (3) per side, or truck - three (3) per side. <b>Note:</b> Lighting Kits include the proper light brackets - item Nos. 18 and 19, as specified	
71	A-133020	Light, Red Taillight - Stop and Turn Indicator With Grommet, Rectangular	Specify Qty.
	A-133064	Light, Red Taillight - Stop and Turn Indicator With Grommet, Round (LED)	
72	A-133021	Light, Red/Clear Taillight - Back-Up Indicator With Grommet, Rectangular	Specify Qty.
	A-133075	Light, Clear Taillight - Stop and Turn Indicator With Grommet, Round (LED)	
73	A-133076	Adapter, Pigtail (supplied with round (LED) lights)	
74	A-133019	Wire Harness, Taillight, <i>Curbside</i> - Trucks (6 ft. length)	Specify One
	A-133024	Wire Harness, Taillight, <i>Curbside</i> - Trailers (12 ft. length)	
75	A-133018	Wire Harness, Taillight, <i>Streetside</i> - Trucks (6 ft. length)	Specify One
	A-133023	Wire Harness, Taillight, <i>Streetside</i> - Trailers (12 ft. length)	
76	A-176458	Pin, Runner Hinge - Left Runner, 1-1/2" Dia. Round	1
77	A-176457	Pin, Runner Hinge, 1-1/4" Hexagonal	1
78	A-171200	Pin, Platform, 1-1/4" Dia.	2
79	A-176453	Pin, Closer Clevis - 1" Dia. (lower), 3-1/8" Long	1
80	A-176456	Pin, Upper - Closer Cylinder, 1" Dia., 5-1/16" Long	1
81	A-176459	Pin, Lower - Lift Cylinder, 3/4" Dia., 3,500 and 4,500 lb. Capacity	Specify Two
	A-176814	Pin, Lower - Lift Cylinder, 3/4" Dia., 5,500 and 6,500 lb. Capacity	
82	A-176813	Pin, Upper - Lift Cylinder, 3/4" Dia., 3,500 and 4,500 lb. Capacity	Specify Two
	A-176460	Pin, Upper - Lift Cylinder, 3/4" Dia., 5,500 and 6,500 lb. Capacity	
83	A-176481	Hex Bushing, Long, 1-3/4" O.D. X 2-3/4" Long	1
84	A-176482	Hex Bushing, Short, 1-3/4" O.D. X 3/4" Long	1
85	A-176501	Bushing, Lower, 1-1/2" I.D., 2" O.D. X 2" Long	2
86	ATU-426	Bushing, Upper, 1" I.D., 1-1/4" O.D. X 1" Long	2
87	ATU-429	Bushing, Lower, 1" I.D., 1-1/4" O.D. X 3/4" Long	2
88	A-176472	Wear Strip, Upper, 6" Long (plastic) - All Models	8

<b>Item</b>	<b>Part No.</b>	<b>Description</b>	<b>Quantity</b>
89	A-176471	Wear Strip, Lower, 36" Long (plastic) - <i>Prior to June 01, 1999</i>	Specify Four
	A-176766	Wear Strip, Lower, 29-1/4" Long (plastic) - <i>Models after June, 1999</i>	
90	A-176066	1-1/2" Retaining Ring (snap ring)	2
91	757026	1-1/2" Flat Washer, 1-1/2" I.D. (used as shim-spacer, maximum 8 each)	8
92	A-176711	1-1/2" Hex Washer (used as shim-spacer on <i>Curbside</i> , maximum 8 each)	8
93	A-146840	1-1/4" Retaining Ring (snap ring)	4
94	A-150060	1" Retaining Ring (snap ring)	2 to 20
95	A-144054	1" Flat Washer, 1" SAE, (Shim Spacer) - used in item Nos. 160 and 165 Assemblies, and Latch Handle(s) - item Nos. 8 and 9	(varies)
96	A-171219	1" Flat Washer ( <i>Gas Bottle Models Only</i> )	2
97	473	3/4" Retaining Ring (snap ring)	4
98	A-132010	3/4" Nut, 3/4-10 NC, Slotted Nut (castle nut)	2
99	A-132063	Shoulder Bolt, 1/2-13 NC X 3/4" Long	2
100	ATU-260	Bolt, Hex Head, 1/2-13 NC X 1-1/4" Long	6
101	A-150072	Bolt, 1/2-13 NC X 1-1/2" Long, Grade 8	4
102	A-132019	Bolt, 1/2-13 NC X 4" Long, Grade 8 (was A-176546, 3-1/2" long)	8
103	3139	Hex Nut, 1/2 - 13 NC	14
104	880	Jam Nut, 1/2 - 13 NC	2
105	A-150065	Flat Washer, 1/2" SAE	12
106	1691	Lockwasher, 1/2" (helical)	14
107	A-170260	Hose Clamp (stainless steel)	8 GD, (3 PD)
108	A-171249	Bolt, 3/8-24 NF 1-1/2" Long, Grade 8	0 to 4
109	2184	Locknut, 3/8-24 NF	Varies
110	A-132044	Locknut, 3/8-24 NF, Nylok™ Stainless Steel (used with item 116, U-bolt)	Varies
111	874	Bolt, 3/8-16 NC X 1" Long	2
112	Not Used		
113	ATU-178	Carriage Bolt, 3/8-16 X 1" Long	4
114	A-132018	Set Screw, 3/8-16 X 1" Long	2
115	A-132042	U-Bolt, 3/8-24 NF - Includes Two Nuts (stainless steel)	Varies
116	P-162	Hex Nut, 3/8-16	19 - 20 +2
117	2058	Flat Washer, 3/8" SAE	20
118	2054	Lockwasher, 3/8" (helical)	23
119	S-117001	Bolt, Button, Allen Head, 5/16-18 NC, X 1-1/2" Long (stainless steel)	2
120	2145	Bolt, 5/16-18, X 1" Long, Whiz-Lock™	8
121	870	Bolt, 5/16-18, X 1-1/4" Long	2
122	869	Bolt, 5/16-18, X 2" Long	2
123	862	Locknut, Center-Locking, 5/16-18 NC	2
124	4164	Nut, 5/16-18 NC (runner latch)	6
125	2114	Nut, Hex, 5/16-18 NC, Whiz-Lock™ (serrated flange lock)	4 Ea. - 8 Ea.
126	AR-18-66	Screw, C-S, Allen, 5/16-18 NC, X 1-1/4" Long	8
127	2110	Flat Washer, 5/16"	4
128	6611	Lockwasher, 5/16" (helical)	4

<i>Item</i>	<i>Part No.</i>	<i>Description</i>	<i>Quantity</i>
129	ATU-358	Bolt, 1/4-20 NC, X 2" Long	2
130	Not Used		
131	A-132035	Cap Screw, 1/4-20 NC X 3/4" Long	4
132	2029	Nut, 1/4-20 NC, Whiz-Lock™	4
133	ATU-369	Locknut, 1/4-20 NC	4
134	33618	Lockwasher, 1/4"	2
135	A-132084	Rivet, 1/4"	40
136	A-132027	Cotter Pin, 1/4" X 2" Long (aluminum retention ramp installation kit; two (2) in item No. 160 assembly)	1 or 2
137	S-070011	Roll Pin, 1/4" X 2-1/2" Long (for hex pin)	2
138	ATU-344	Snap Pin, 1/4"	2
139	AR-18-69	Cotter Pin, 3/16" X 1-3/4" Long	4 - 6
140	5420	Screw, #10-32 X 1-1/4" Long	2
141	2001	Screw, #10-32 X 1/2" Long	4
142	A-132071	Nut, Hex #10-32 Nylok™ (stainless steel)	6
143	A-176497	Spring (extension), Latch	2
144	A-176854	Gasket, D Shape Profile (foam rubber)	As Required
145	A-176855	Tape 0.030" Thick X 1/2" Wide, Self-Adhering (plastic)	As Required
146	A-176739	Grommet, Rubber	1
147	ATU-137	Grommet, Rubber	9
148	A-176838	Cord Carrier, Flexible Guard (plastic)	1
149	A-176839	Mounting Bracket Set (two-piece)	1 Set
150		Main Platform Weldment - MRT Tread Plate Models (All) <b>MRT Platform Requirement</b>	
	A-176308	30" Deep X 80" Wide (MRT Standard Body-Width, includes "BH" Version)	
	A-176310	30" Deep X 86" Wide (MRT 102" Body-Width, includes "BH" Version)	
	A-176689	36" Deep X 80" Wide (MRT Standard Body-Width - "BH" Version Only)	Select One
	A-176690	36" Deep X 86" Wide (MRT 102" Body-Width - "BH" Version Only)	
	A-176437	42" Deep X 80" Wide (MRT Standard Body-Width Version)	
	A-176528	42" Deep X 86" Wide (MRT 102" Body-Width Version)	
151		Flip-Over Platform Weldment, 12" Fixed Ramp - Tread Plate Models <b>MRT Platform Option</b>	
	A-176529	18" Deep (30" total depth) X 80" Wide (MRT Standard Body-Width Version)	
	A-176538	18" Deep (30" total depth) X 86" Wide (MRT 102" Body-Width Version)	Select One
	A-176542	30" Deep (42" total depth) X 80" Wide (MRT Standard Body-Width Version)	
	A-176545	30" Deep (42" total depth) X 86" Wide (MRT 102" Body-Width Version)	
152		Flip-Over Platform Weldment, Butt-Edge - MRT Tread Plate Models <b>MRT Platform Option</b>	
	A-176519	30" Deep X 80" Wide (MRT Standard Body-Width, includes "BH" Version)	
	A-176541	30" Deep X 86" Wide (MRT 102" Body-Width, includes "BH" Version)	
	A-176687	36" Deep X 80" Wide (MRT Standard Body-Width - "BH" Version Only)	Select One
	A-176688	36" Deep X 86" Wide (MRT 102" Body-Width - "BH" Version Only)	
	A-176451	42" Deep X 80" Wide (MRT Standard Body-Width Version)	
	A-176525	42" Deep X 86" Wide (MRT 102" Body-Width Version)	

<i>Item</i>	<i>Part No.</i>	<i>Description</i>	<i>Quantity</i>
153		Flip-Over Platform Weldment Component - <i>MRT Tread Plate Models</i> <b>MRT Platform Option</b> ( <i>Platform Component</i> )	
	A-176619	18" Deep (load deck) X 80" Wide (MRT Standard Body-Width Version)	
	A-176620	18" Deep (load deck) X 86" Wide (MRT 102" Body-Width Version)	
	A-176594	24" Deep (load deck) X 80" Wide (MRT Standard Body-Width Version)	Specify One
	A-176669	24" Deep (load deck) X 86" Wide (MRT 102" Body-Width Version)	
	A-176596	30" Deep (load deck) X 80" Wide (MRT Standard Body-Width Version)	
	A-176670	30" Deep (load deck) X 86" Wide (MRT 102" Body-Width Version)	
154		Pop-Up Cart Stop Ramp Weldment Component – <i>MRT Tread Plate Models</i> <b>MRT Platform Option</b> ( <i>12" Pop-Up Ramp Component</i> )	
	A-176571	Cart-Stop Ramp Weldment - Use With 80" Flip-Over Platform Group	Specify One
	A-176585	Cart-Stop Ramp Weldment - Use With 86" Flip-Over Platform Group <b>Note:</b> All Cart-Stop Ramps have a depth span of 12"	
155	A-176948	Spring ( <i>MRT Tread Plate Models</i> ) <b>Note:</b> Replaces Spring, Part No. ATU-326	One as Required
156	A-176616	Stop Plate, Weldment ( <i>MRT Tread Plate Models</i> )	One
157	A-176597	Stop Bar Plate ( <i>MRT Tread Plate Models</i> )	One
158	A-150143	Pin, Long, 1" Dia. ( <i>MRT Tread Plate Models</i> )	One
159	A-176612	Pin, Short, 1" Dia. ( <i>MRT Tread Plate Models</i> )	Two
160		Folding, Pop-Up Cart Stop Ramp Platform – <i>MRT Tread Plate Models</i> <b>MRT Platform Option</b> ( <i>Unit Assembly</i> )	
	A-176930	60" (42"+18") Deep X 80" Wide (MRT Standard Body-Width Version)	Specify One
	A-176933	60" (42"+18") Deep X 86" Wide (MRT 102" Body-Width Version)	
	A-176931	72" (42"+30") Deep X 80" Wide (MRT Standard Body-Width Version)	
	A-176934	72" (42"+30") Deep X 86" Wide (MRT 102" Body-Width Version)	
161	A-176523	Closer Arm Weldment, <i>Curbside</i> - Use With 60", i.e., Folding 30" X 2-Pc. Butt-Edge Platforms Only	Specify One
	A-176503	Closer Arm Weldment, <i>Curbside</i> - Use With All Other Folding Platforms	
162	A-176522	Closer Arm Weldment, <i>Streetside</i> - Use With 60", i.e., Folding 30" X 2-Pc. Butt-Edge Platforms Only	Specify One
	A-176502	Closer Arm Weldment, <i>Streetside</i> - Use With All Other Folding Platforms	
163		Chain, Platform Support - MRT Tread Plate Models <b>5,500/6,500</b> lb. Capacity ( <i>Replacement for use with 3,500/4,500 lb. capacity models</i> )	
	A-176509	84" X 72" Butt-Edge With 12" Ramp	Specify Pair
	A-176631	72" X 60" Butt-Edge With 12" Ramp	
	A-176632	60" X 48" Butt-Edge With 12" Ramp - 'BH' Style	
164	A-176641	MRT Standard Body-Width Aluminum Retention Ramp Sheet (75" wide)	Specify One
	A-176715	MRT 102" Body-Width Aluminum Retention Ramp Sheet (81" wide)	
165	A-176894	Retention Ramp Installation Kit (includes item 164 and item Nos. 166 through 177 listed below, plus required fasteners)	Specify One
166	A-176636	Hinge Plate ( <i>not used with Gas Bottle Types</i> )	2
167	A-171582	Support Rod, 5/8" dia. X 60" Long ( <i>not used with Gas Bottle Types</i> )	1
168	A-176637	Hinge Pin Weldment - Right, <i>Curbside</i>	Specify One
	ATU-638	Hinge Pin Weldment - Right, <i>Curbside</i>	

<b>Item</b>	<b>Part No.</b>	<b>Description</b>	<b>Quantity</b>
169	A-176638	Hinge Pin Weldment - Left, <i>Streetside</i>	Select One
	ATU-639	Hinge Pin Weldment - Left, <i>Streetside (Gas Bottle Models Only)</i>	
170	A-171294	Retention Ramp Lock Weldment	1
171	A-171301	Bushing, Retention Ramp Lock, 3/4" Long	1
172	A176899	Latch Eye - Pump Box	2
173	A-171303	Plate, Retention Ramp Lock	1
174	AR-18-79	Chain, 1/4" Blue Chrome Coil X 45" Long (cut length to suit)	1
175	AR-18-80	Chain Shackle With Clevis Pin and Cotter Pin	2
176	A-158025	Platform Chain Connector ( <i>teardrop</i> )	2
177	A-155037	Rubber Bumper With Washer (vulcanized washers assembly)	2
178	A-177012	Pump Box Body Section - Mid 2007 and After	1
179	A-177008	Pump Box Lid (cover) - Mid 2007 and After	1
180	A-177001	Pump Box Carrier Frame - Mid 2007 and After	1
181	A-132029	Screw, Thumb	2/Enclosure
182	ATU-229	Grommet, Blind (fits in 1 3/8" hole)	As Needed
183	A-176812	Grommet, 3/4" ID (fits in 2 1/4" hole)	1
184	A-177044	Weather Strip Kit (cut and fit, as needed)	1
185	A-133227	Receiver Box (wireless control, optional equipment)	1
186	2001	Screw (for optional receiver control)	4
187	A-132071	Nut, Lock (for optional receiver control)	4
188	A-132128	Latch (rubber, 2-pcs., latch and catch)	2
189	5420	Screw (for latches)	6
190	A-132080	Lock Washer (for latches)	6
191	3514	Nut (for latches)	6
192	A-140147	Lid (cover) for Battery Box (optional accessory)	1
193	A-140109	Body Section - Battery Box (option)	1
194	A-140110	Carrier, Battery Box (frame only) (option)	1
195	A-132135	Screw, #10-32 x 5/8" Long (used on circuit breaker)	4
196	A-132134	Flat Washer, #10 (used on circuit breaker)	4
197	A-133201	Battery(s), 12 Volt DC (optional accessory)	2
198	A-130157	Bulkhead Union Adapter, Male JIC #6 X Male JIC #6	1
199	A-130158	Lock Nut for Bulkhead Adapter	1



<b>Item</b>	<b>Part No.</b>	<b>Description</b>	<b>Quantity</b>
200		Main Platform Weldment - <i>MRT Gas Bottle Models</i> <b>3,500/4,500</b> lb. Capacities With Rearward-Folding Racks	Select One G.B. Only
	A-176732	39" Deep X 80" Wide (MRT Standard Body-Width Version)	
	A-176759	39" Deep X 86" Wide (MRT 102" Body-Width Version)	
201		Folding Retention Ramp, 16" Deep - Tread Plate ( <i>MRT Gas Bottle Models</i> , <b>3500 and 4500</b> lb. capacities)	
	A-176716	MRT Standard Body-Width Version (steel weldment)	Select One
	A-176835	MRT Standard Body-Width Version (aluminum sheet)	G.B. Only
	A-171836	MRT 102" Body-Width Version (aluminum sheet)	
202	A-171233	Rear Rack, <i>Curbside</i>	1 G.B. Only
203	A-171234	Rear Rack, <i>Streetside</i>	1 G.B. Only
204	A-171224	Vertical Tube Weldment, <i>Curbside</i>	1 G.B. Only
205	A-171225	Vertical Tube Weldment, <i>Streetside</i>	1 G.B. Only
206	A-171213	Fence (banister) Tube Weldment	2 G.B. Only
207	A-171223	Latch Pin Weldment	2 G.B. Only
208	A-171220	Spring (compression), Latch Pin	2 G.B. Only
209	A-171209	Chain, 9/32", Grade 80 X 40" Long ( <i>for All Gas Bottle Models</i> ) (MRG G.B. Models, 3,500/4,500 lb. capacities)	Specify Two G.B. Only
210	A-176075	Shackle, Chain Lug Plate - <i>For all Gas Bottle Models, also all early</i> <i>Tread Plate Models (i.e. manufactured prior to June 01, 1994)</i>	Varies G.B. Only
211	A-146834	Pin, 1" Dia.	6 G.B. Only
212	A-171242	Pin, Ramp, 1" Dia. ( <i>use with A-176716 folding retention ramp only</i> )	Two as Required G.B. Only
213	A-130193	Fitting, 90° Elbow, Male JIC #6 X Male SAE #10 (old)	2
	A-130252	Fitting, Straight, Male JIC #8 X Male SAE #10 (new)	
214	A-133109	Jumper Wire Assembly (from solenoid to solenoid)	1

<b>Item</b>	<b>Part No.</b>	<b>Description</b>		<b>Quantity</b>
	<i>Gravity Down</i>	<i>Power Down</i>		
300	A-176681	A-176682	Valve Assembly (block)	Specify One
301	A-176679	A-176679	Hi-Flow Pump (square) - Unit Item (unit replacement only)	Specify One
302	(#02933)	(#02933)	Hi-Flow Pump (round) - Unit Item (unit replacement only)	Specify One
303	A-176314	A-176304	Cartridge Valve, RAISE (cartridge and coil), Unit Item, 3-Way, 2-Position	RAISE Specify One -----
	A-176316	A-176316	Coil, RAISE (coil only), 12 VDC	Specify One
304	A-176305	A-176305	Cartridge Valve, Lower (cartridge and coil), Unit Item, 2-Way, 2-Position	LOWER Specify One -----
	A-176315	A-176305	Coil, LOWER (coil only), 12 VDC	Specify One
305	A-176305	A-176305	Cartridge Valve, Open (cartridge and coil), Unit Item, 2-Way	OPEN Specify One
	A-176316	A-176316	Coil, OPEN (coil only), 12 VDC	Specify One
306	A-176304	A-176304	Cartridge Valve, Close (cartridge and coil), Unit Item, 3-Way, 2-Position	CLOSE Specify One -----
	A-176316	A-176316	Coil, Close (coil only), 12 VDC	Specify One
307	N/A	A-176304	Cartridge Valve, Power-Down (cartridge and coil), Unit Item 3-Way 2-Position	POWER DOWN Specify One
	N/A	A-176316	Coil, Power Down (coil only), 12 VDC	ON-DEMAND
308	A-130204	A-130204	Needle Valve (adjustable) - Open and/or Close Adjustment	2 each
309	A-133099	A-133099	Power Post, 12 VDC (used with thermal-protected motors)	1
310	A-176154	A-176154	12 VDC Motor - Unit Item (unit replacement only)	2 each
311	A-133128	A-133128	Solenoid Relay, 12 VDC Motor Run	2 each
312	-----	-----	Conducting Strap, Solenoid Relay	2 each
313	A-130033	A-130033	Reservoir Filler/Vent Cap	1 each
314	-----	-----	Reservoir - Includes Filler/Vent Cap	1 each
315	A-130172	A-130172	Hose, Sight/Level Tube, 1/4" I.D. X 1/2" O.D. 18" Long	1 each
316	A-150016	A-150016	Pump Filter Replacement	2 each

<b>Item</b>	<b>Part No.</b>	<b>Description</b>	<b>Quantity</b>
400	A-176194	Chain Guard Sleeve	2
401	A-171460	Battery Separator (optional)	1
402	A-176765	Hose Tray	2
403	A-133179	LVC Control Box, MRT LVC Switchbox Control (mounts on chassis)	1
404	ATU-748	LVC Selector Switch and Mounting Bracket(s)	1
405	-----	LVC Control Pigtail Wire	1
406	-----	LVC Selector Pigtail Wire	1
407	-----	LVC Control Extension Cable	1
408	-----	LVC Selector Extension Cable	1
409	-----	LVC Diode	1
410	A-131030	Decal (platform open/close speed)	1
411	-----	Decal, NOTICE! DEXTRON (ONLY)	1
412	-----	Decal, Mobile Oil Usage	1
413	ATU-424	Decal, WARNING	1
414	A-133117	Flexible Conduit (plastic split-wrap), 11" Long	1
415	N/A	Identification Tag, Model Number, Serial Number (not available as a replacement part)	—
416	A-150016	Pump Filter Replacement, MRT Dual Power Pack Unit - All Units	2
417	Not Used		
418	A-176811	Latch Guard (weld-assembly component replacement repair part)	2
419	A-132099	Threaded Insert, 5/16-18 NC	12 to 14
422	A-176602	Header Top Panel - 96" Wide Version	1
	A-176603	Header Top Panel - 102" Wide Version	
423	A-176960	Side Panel Weldment - Left Hand ( <i>Streetside</i> )	1
424	A-176961	Side Panel Weldment - Right Hand ( <i>Curbside</i> )	1
425	A-176600	Header Kit - Complete (sides and top panels) - 96" Wide Version	1
	A-176601	Header Kit - Complete (sides and top panels) - 102" Wide Version	
426		Connector	1
427		Screw	4



Anthony Liftgates, Inc.  
1037 W. Howard Street • P.O. Box 615 • Pontiac, IL 61764-0615  
Ph: 815.842.3383 • Fax: 815.844.3612 • Toll Free: 800.482.0003  
[www.anthonyliftgates.com](http://www.anthonyliftgates.com)