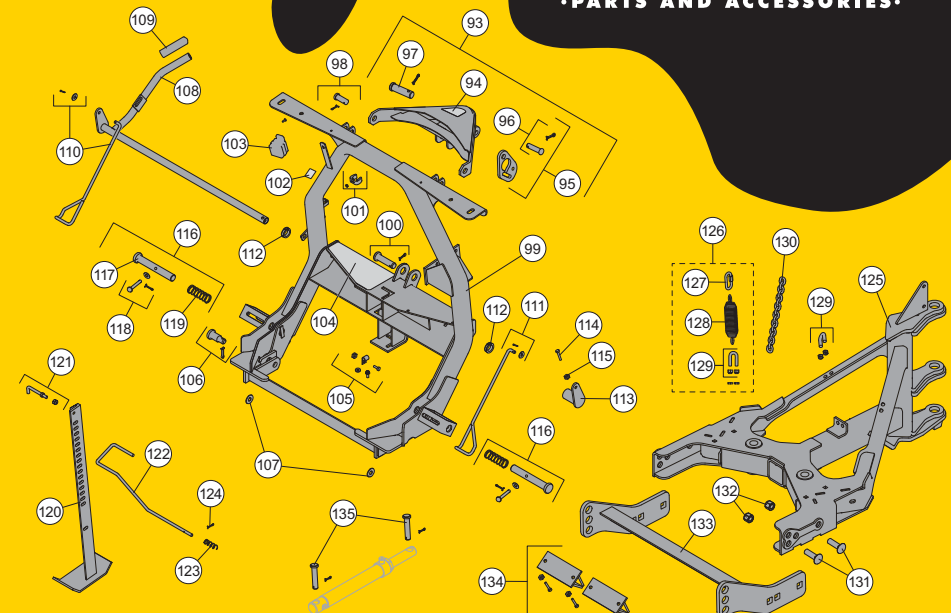


### BLADE COMPONENTS

Item	Description	Part Number					Item	Description	Part Number				
		7-1/2" SS	8-1/2" MS	SS	MS	9-1/2" SS			7-1/2" SS	8-1/2" MS	SS	MS	9-1/2" SS
39	Moldboard Kit - DS	43090	43092	43094	43096	43098	46	3/8" Cutting Edge (single)	44896-1	44897	-		
40	Moldboard Kit - PS	43091	43093	43095	43097	43099	47	1/2" Cutting Edge (single)	44996-1	44997	44898		
41	Frame, Base Angle, Springs-DS	43120	43121	43122			ns	Bolt Bag, Cutting Edge (5 sets)		44763			
42	Frame, Base Angle, Springs-PS	43123	43124	43125			47	Center Cutting Edge Kit*		44894-1			
43	Base Angle - DS	43126	43128	43130			48	Center Cutting Edge - DS		44891-1			
44	Base Angle - PS	43127	43129	43131			49	Center Cutting Edge - PS		44890-1			
45	3/8" Cutting Edge Kit*	44740-2	44741-2	-			50	Back Drag Edge Kit	44281-3*	44282-3*	44283-3*		
	1/2" Cutting Edge Kit*	44742-2*	44743-2*	44744-2			51	Blade Wing Extension Kit	-	43510-1*			
52	43890	Moldboard Fasteners Kit					60	21450	Removable Spring Bar				
53	27195	Flexible Blade Guide Set - 26"					61	20181	1/4 x 1-1/4 Pin				
54	43118	Center Snow Control Kit					62	20191	Removable Spring Disc				
55	59900	Label - Warning/ Caution					63	5323	Trip Spring				
56	26211	Label - STORM GUARD™ (MS only)					64	40905	Shoulder Bolt w/Locknut				
ns	20238	Label - FISHER® Splatter					ns	20043-1*	Spring Removal Tool				
ns	43224	Label - Identity, XV2					65	43082-1*	Blade Stop Kit				
ns	42490	Label Replacement Kit - V-Plow					ns	41812*	Rubber Deflector Kit - 10"				
57	49844	Pivot Pin					66	41813*	Rubber Deflector Kit - 18"				
58	27241	1 x 2.75 Clevis Pin w/Cotter					ns	43620*	Bolt Bag - Rubber Deflector				
59	21452	Removable Spring Assembly					67	50700*	Shoe Kit				

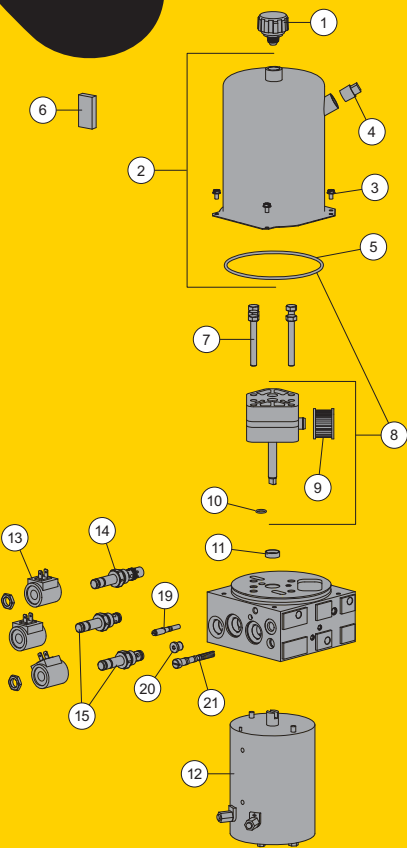
\* Includes fasteners (14 sets). \* = Accessory Only  
MS = Mild Steel SS = Stainless Steel ns = not shown



### HEADGEAR & T-FRAME

Item	Part	Description	Item	Part	Description
93	28350-2	Lift Arm Kit (yellow)	115	91333	3/8-16 Hex Locknut GB
	27560-2	Lift Arm Kit (silver)	116	27168K	Connecting Pin Kit
94	26777	Nameplate - Minute Mount® 2	117	26833	1 x 6-15/16 Pin
95	28991	Stop Link Kit	118	26219	3/8 x 3-1/4 Clevis Pin Kit
96	29037	5/85 x 2-5/85 Clevis Pin G8 w/Cotter	119	821	Compression Spring, 1 ID x 3-1/2
97	95720	1 x 3.313 Clevis Pin HT	120	27462	Jack
98	4289K	3/4 x 2 Machine Pin Packet	121	27164K	Handle Kit
99	44558-2	Headgear	122	27478	Jack Lock
100	43603	1 x 3-3/4 Clevis Pin Kit	123	27461	Compression Spring, 3/4 OD x 3-1/2
101	27162K-1	Stop Clip Kit	124	90658	5/32 x 1-1/4 Cotter Pin
102	69689*	Label - SECURITY GUARD™	125	43119	T-Frame Service Kit (includes items 57 and 129-132)
103	8284K	Cable Boot	126	49521	Spring/U-Bolt/Link Kit
104	27451	Label - Attach/Detach, Minute Mount 2	127	68340	Quick Link
105	27172K	Clamp Loop Kit	128	27074	Spring
106	27177K	Step Pin Kit	129	A6148K	U-Bolt Assembly Packet
107	91192	1-3/4 Flat Washer Special	130	27912-1	5/16 Grade 43 Chain Bag
108	27468	Handle, Link Arm Assembly	131	63913	3/4-10 x 2-1/2 Carriage Bolt G5
109	27535	Handle Cover	132	91338	3/4-10 Hex Locknut GB
110	27166K	Wire Cam Kit - DS	133	44556-2	Push Assembly
111	27167K	Wire Cam Kit - PS	134	50632	Stacking Stop Kit - Short
112	27163K	Bushing Kit (pkg of 2)	ns	44554	Stacking Stop Kit - Long
113	27465	Link Arm	135	22260	1 x 4-3/4 Clevis Pin
114	90043	3/8-16 x 2 Hex Cap Screw G5			

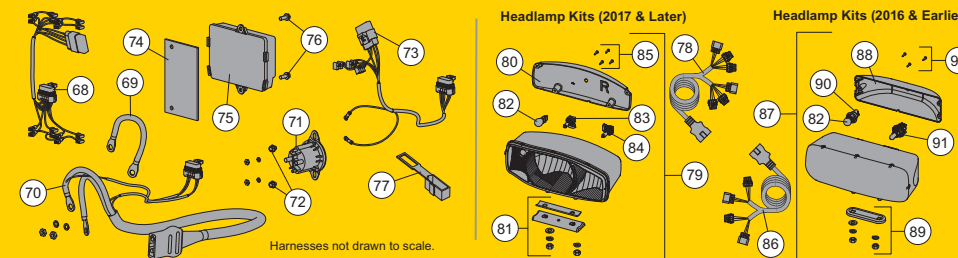
ns = not shown G = Grade HT = Heat Treated



### HYDRAULIC UNIT

Item	Part	Description	Item	Part	Description
-	44330	Hydraulic Unit	15	7634K-2	Valve SV08-2004 w/Nut
1	21727-2	Breather Pressure Control	16	44335	Valve SF08-2015 w/Nut
2	44327-2	Reservoir Kit	17	44369	Valve Lock Ring w/Screw
3	66607	10-24 x 5/16 Machine Screw Slotted Hex Washer Head	18	63943	8-18 x 3/8 Tapping Screw Hex Serrated Flange Type AB
4	92079	Plug, Square 3/8 NPTF	19	48517	Quill Assembly 1/2-20 Thread
5	66519	O-Ring 2-250	20	44344	Plug, Hex Socket -4 M ORB
6	73897	Magnet	21	7629K-3	Relief Valve Kit (2 sets)
7	90080	5/16-18 x 2-1/2 Hex Cap Screw G5	22	44337	Relief Valve Kit (2 sets)
8	44329-1	Pump Kit	23	44333-1	Check Valve CV08-20
9	26781-3	Suction Filter	24	92960	Plug, Hex Socket -3 M ORB
10	56274	O-Ring -013	25	29077	O-Ring -110
11	66515	Pump Shaft Seal	26	29081	1/4-20 x 3 Socket Cap Screw Hexagon Socket
12	21500K-1	Motor Assembly 4-1/2"	27	98043	3/8-16 x 1 Button Cap Screw w/Flange
13	7639K-2	Coil with Spade Terminals	28	43867	Cover Assembly XV2™
14	44331	Valve SVC08-20 w/Nut			
<b>Item 28 43867 Cover Assembly XV2</b>					
29	44352	Top Retainer Ring	34	44303	Cover, Side 3
30	44366	Bottom Retainer Ring	35	44304	Cover, Side 4
31	44326	1/4-20 x 1/2 6-Lobe Round Washer-Head Screw, pkg of 5 (includes 8" & 14" cable ties)	36	44310	Label - Information (S1-S3)
32	-	Cover, Side 1	37	44319	Label - Information (S4-S11)
33	-	Cover, Side 2	38	43222	Label - XV2™ Hydraulic Unit
<b>O-Ring Service Kits</b>					
ns	7632K-4	O-Ring Kit & Back-Up Ring Kit	ns	49259-2	Seal Kit Cartridge, 3-Way and 4-Way Valve
ns	49258-2	Seal Kit, 2-Way Valve			

ns = not shown G = Grade M = Male



### ELECTRICAL COMPONENTS

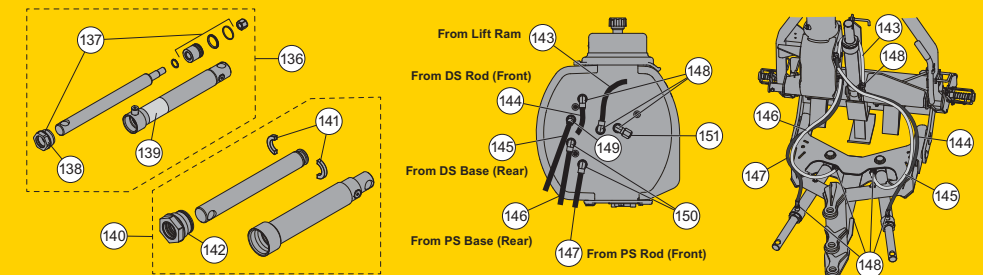
Item	Part	Description	Item	Part	Description
68	28583	Plow Control Harness, 8-Solenoid	80	38803	Rear Cover Kit H9/H11 - PS
69	29071	Cable Assembly 8"	ns	38812	Rear Cover Kit H9/H11 - DS
70	42015	Cable Assy, Plow	81	38804	Mounting Hardware Kit H9/H11
71	42901	Motor Relay Kit FLEET FLEX	82	-	Park/Turn Bulb (Trade No. 4157NAK)
72	29099	1/4-20 x 1/4 Hex Washer-Head Thread-Rolling Screw	83	38811	Headlamp Bulb Service Kit H11
73	28581-1	Harness, Plow Control 3-Solenoid	84	38809	Headlamp Bulb Service Kit H9
74	44308	Spacer Module	85	38808	Cover Screws Service Kit H9/H11 (pkg of 4)
75	44354-3	Plow Module	ns	26498	Vehicle Control Harness - Central Hydraulics
76	44355	1/4-20 x 5/8 Hex Washer-Head Thread-Rolling Screw	86	28213K	Harness Service Kit H13
ns	8329K	Dielectric Grease (pkg of 2)	87	28802-1	Headlamp Service Kit H13 - PS
ns	42014	Vehicle Battery Cable	ns	28801-1	Headlamp Service Kit H13 - DS
ns	28587	Vehicle Control Harness	ns	28800-1	Headlamp Kit H13 (pair)
77	8291K	Plug Cover Kit	88	28803-1	Rear Cover Kit (fits 2- or 3-screw)
78	38807	Harness Service Kit H9/H11	89	28804	Mounting Hardware Kit
79	38802	Headlamp Service Kit H9/H11 - PS	90	28805	Park/Turn Socket Service Kit
ns	38801	Headlamp Service Kit H9/H11 - DS	91	28806	Headlamp Bulb Service Kit H13
ns	38800	Headlamp Kit H9/H11 (pair)	92	28808-1	Cover Screws Service Kit (pkg of 3)

ns = not shown

Full parts list available at [www.fisherplows.com](http://www.fisherplows.com) (Lit. Nos. 43070 and 85301).

Copyright © 2017 Douglas Dynamics, LLC. All rights reserved. This material may not be reproduced or copied, in whole or in part, in any printed, mechanical, electronic, film, or other distribution and storage media, without the written consent of Fisher Engineering. Authorization to photocopy items for internal or personal use by Fisher Engineering outlets or snowplow owner is granted.

Fisher Engineering reserves the right under its product improvement policy to change construction or design details and furnish equipment when so altered without reference to illustrations or specifications used. Fisher Engineering or the vehicle manufacturer may require or recommend optional equipment for snow removal. Do not exceed vehicle ratings with a snowplow. Fisher Engineering offers a limited warranty for all snowplows and accessories. See separately printed page for this important information. The following are registered (®) or unregistered (™) trademarks of Douglas Dynamics, LLC: FISHER®, Minute Mount™, 2. SECURITY GUARD™, STORM GUARD™, XV2™.



### RAMS, HOSES & FITTINGS

Item	Part	Description	Item	Part	Description
136	44340	Angle Ram Assembly 1-3/4 x 11 DA	145	44348	Hose, 3/8 x 42 w/F JIC Ends
137	44342	Seal Kit 1-3/4 DA Ram	146	44315	Hose, 3/8 x 38 w/F JIC Ends
138	48985	Gland Nut Assembly	147	56599	Hose, 1/4 x 36 w/F JIC Ends
139	48847	Label - InstalLock Double-Acting Cylinder	148	56725	Elbow, 90° -6 M JIC/-6 M ORB
140	43132	Lift Ram Assembly 1-3/4 x 10	149	56726	Elbow, 45° -6 M JIC/-6 M ORB
141	43134	Split Bearing	150	44361	Elbow, Extra Long 90° -6 M JIC/-6 M ORB
142	43135	Gland Nut Assembly	151	44345	Drain Cap, -6 F JIC
143	56592	Hose, 1/4 x 16 w/F JIC Ends	ns	56823	Hose Wrap, Polyethylene
144	56591	Hose, 1/4 x 42 w/F JIC Ends	ns	98043	3/8-16 x 1 Button Cap Screw w/Flange

F = Female M = Male ns = not shown