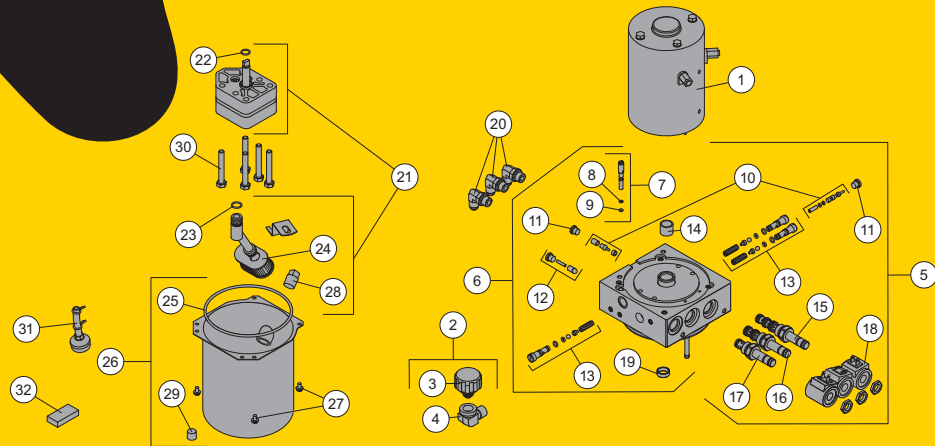


SD SERIES SNOWPLOWS



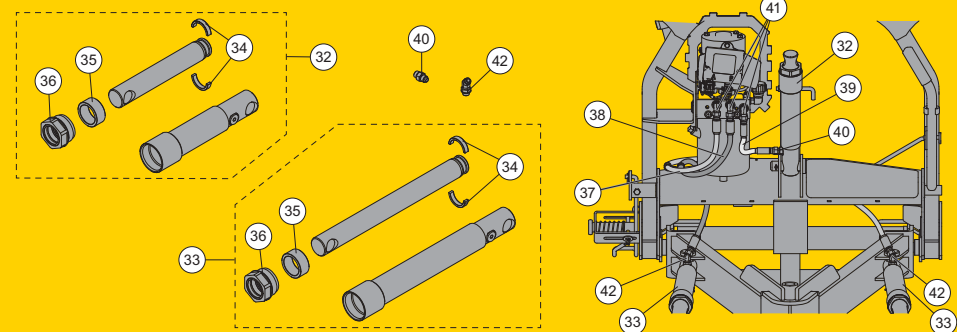
HYDRAULIC UNIT

Item	Part	Description	Item	Part	Description
-	42290*	Hydraulic Unit Service Kit	18	7639K-2	Coil w/Spades
-	42295	Hydraulic Unit 2500 psi	19	66515 [†]	Pump Shaft Seal
1	21500K-1	Motor, 4-1/2"	20	56725	Elbow, 90° -6 M JIC/-6 M ORB
2	22344K	Elbow, Street 90° w/Breather	21	21501K-1	Hydraulic Pump Kit
3	21727-2	Breather Pressure Control	22	56274	O-Ring -013
4	21726	Elbow, Street 90° 3/8 M NPTF/3/8 F NPTF	23	56416	O-Ring -014
5	42294-1	Valve Manifold Assembly	24	26781-3	Suction Filter
6	42292-1	Manifold Assembly	25	66519	O-Ring -2-250
7	56662	Quill Assembly	26	21830	Reservoir Kit
8	56315	Back-Up Ring -006	27	66607	10-24 x 5/16 Machine Screw Slotted Washer Head
9	25622	O-Ring -006	28	92079	Plug, Square 3/8 NPTF
10	7630K	Poppet Check Valve Kit	29	92095	Plug, Hex Socket 1/4 NPTF w/Thread Sealant
11	92960	Plug, Hex Socket -3 M ORB	30	90073	5/16-18 x 2-1/4 Hex Cap Screw
12	56507	Bypass Check Valve Kit	31	66405	Return Screen Assembly
13	7629K-3	Relief Valve Kit (set of 2)	32	73897	Magnet
14	64596-1 [†]	Sleeve Bearing and Shaft Seal Kit	O-Ring Service Kits		
15	7637K-1	Cartridge Valve, 4-Way w/Nut	ns	7632K-4	O-Ring & Back-Up Ring Kit
16	66608K-1	Cartridge Valve, 3-Way w/Nut	ns	49258-2	Seal Kit, 2-Way Valve
17	7634K-2	Valve, 2-Way w/Nut	ns	49259-2	Seal Kit, 3-Way & 4-Way Valve

* Includes 42295 hydraulic unit and plow-side electrical components (shown separately). Not used for central hydraulics.

[†] Use 64589 tool for bearing sleeve replacement (includes 1 bearing). [‡] Use 28856 tool for pump shaft seal replacement (includes 1 seal).

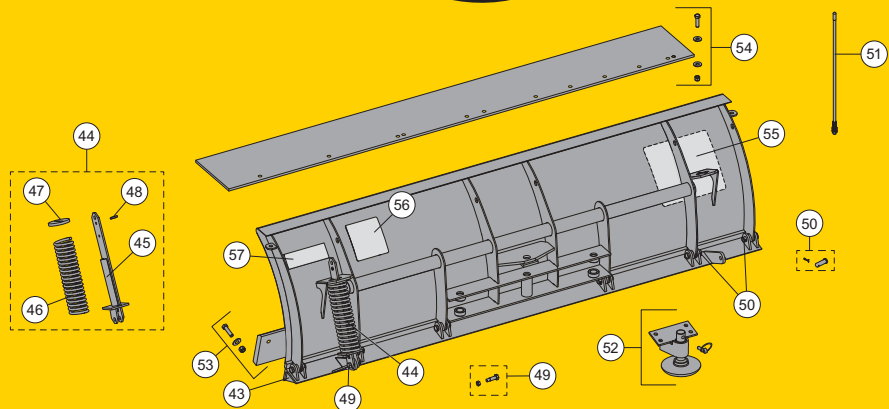
ns = not shown F = Female M = Male



RAMS, HOSES & FITTINGS

Item	Part	Description	Item	Part	Description
32	56718	Lift Ram Assembly 1-1/2 x 6	38	44866	Hose, 3/8 x 32 w/ F JIC Ends
33	56600K	Angle Ram Assembly 1-1/2 x 10	39	56832	Hose, 1/4 x 8 w/F JIC Ends
34	20118K	Split Bearing Kit	40	49526	Connector, -6 M JIC/-6 M ORB
35	56537	Spacer	41	56615-1	Elbow, 90° -6 M JIC/-6 M ORB
36	48985	Gland Nut Assembly	42	56726	Elbow Kit, 45° -6 M O-Ring/-6 M JIC
37	44348	Hose, 3/8 x 42 w/F JIC Ends			

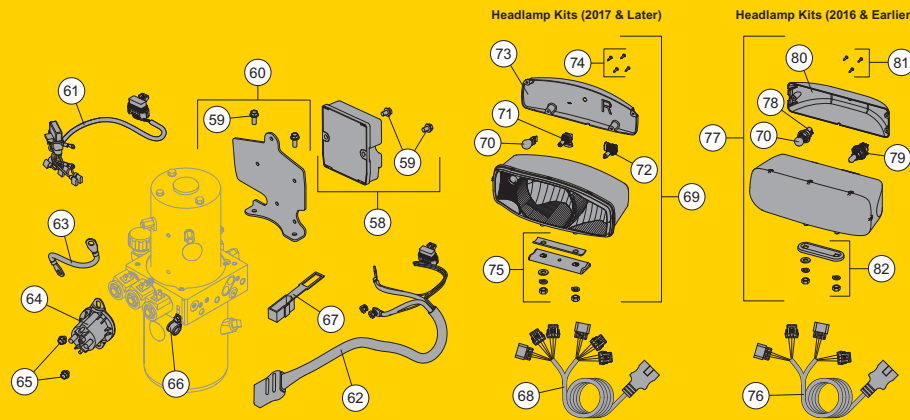
F = Female M = Male



BLADE ASSEMBLY

Item	Part	Description	Item	Part	Description
-	28069	6" 9" SD Blade Assembly	52	27880*	Shoe Kit (set of 2)
-	27775	7" 6" SD Blade Assembly	53	22215*	Poly Cutting Edge Kit 6" 9"
43	28003	Base Angle 6" 9"		22216*	Poly Cutting Edge Kit 7" 6"
	27824	Base Angle 7" 6"	ns	5532*	Steel Cutting Edge Kit 7" 6"
44	21452	Removable Spring Assembly	54	22470-1*	Rubber Deflector Kit
45	21450	Removable Spring Bar	ns	22269*	Steel Deflector Kit 6" 9"
46	5323	Trip Spring	ns	283*	Steel Deflector Kit 7" 6"
47	20191	Removable Spring Disc	ns	44405*	Curb Guard Kit Accessory
48	20181	1/4 x 1-1/4 Pin	55	20238	Label - FISHER® Splatter
49	40905	Shoulder Bolt and Locknut	56	59900	Label - Warning/Caution, Snowplows
50	84844	3/4 x 2-3/16 Machine Pin w/Cotter	57	26211	Label - Identity, STORM GUARD™
51	7906K	Blade Guides Packet (set of 2)			* Accessory only

ns = not shown



Harnesses not drawn to scale.

ELECTRICAL COMPONENTS

Item	Part	Description	Item	Part	Description
58	49567	Plow Module, 2-Port	70	-	Park/Turn Bulb (Trade No. 4157NAK)
59	44355	1/4-20 x 5/8 Hex Washer-Head Thread-Rolling Screw	71	38811	Headlamp Bulb Service Kit H11
60	42287	Bracket - Plow Module	72	38809	Headlamp Bulb Service Kit H9
ns	98043	3/8-16 x 1 Button Cap Screw w/Flange	73	38803	Rear Cover Kit H9/H11 - PS
61	28581-1	Harness Plow Control 3-Solenoid	ns	38812	Rear Cover Kit H9/H11 - DS
62	42015	Snowplow Battery Cable	74	38808	Cover Screws Service Kit H9/H11 (pkg of 4)
63	29071	Cable Assembly 8"	75	38804	Mounting Hardware Kit H9/H11
64	42901	Motor Relay Kit FLEET FLEX	76	28213K	Harness Service Kit H13
65	29099	1/4-20 x 1/4 Hex Washer-Head Thread-Rolling Screw	77	28802-1	Headlamp Service Kit H13 - PS
66	49522	Clamp Loop Kit	ns	28801-1	Headlamp Service Kit H13 - DS
ns	42014 [†]	Vehicle Battery Cable	78	28805	Park/Turn Socket Service Kit
ns	28587 [†]	Vehicle Control Harness	79	28806	Headlamp Bulb Service Kit H13
ns	26498	Vehicle Control Harness - Central Hydraulics	80	28803-1	Rear Cover Kit H13 (fits 2- or 3-screw)
67	8291K	Plug Cover	81	28808-1	Cover Screws Service Kit H13 (pkg of 3)
68	38807	Harness Service Kit H9/H11	82	28804	Mounting Hardware Kit H13
69	38802	Headlamp Service Kit H9/H11 - PS	ns	56099	Dielectric Grease 0.25 oz Tube
ns	38801	Headlamp Service Kit H9/H11 - DS			[†] Not used for central hydraulics.

ns = not shown

Full parts list available at www.fisherplows.com (Lit. Nos. 49592 and 85303).

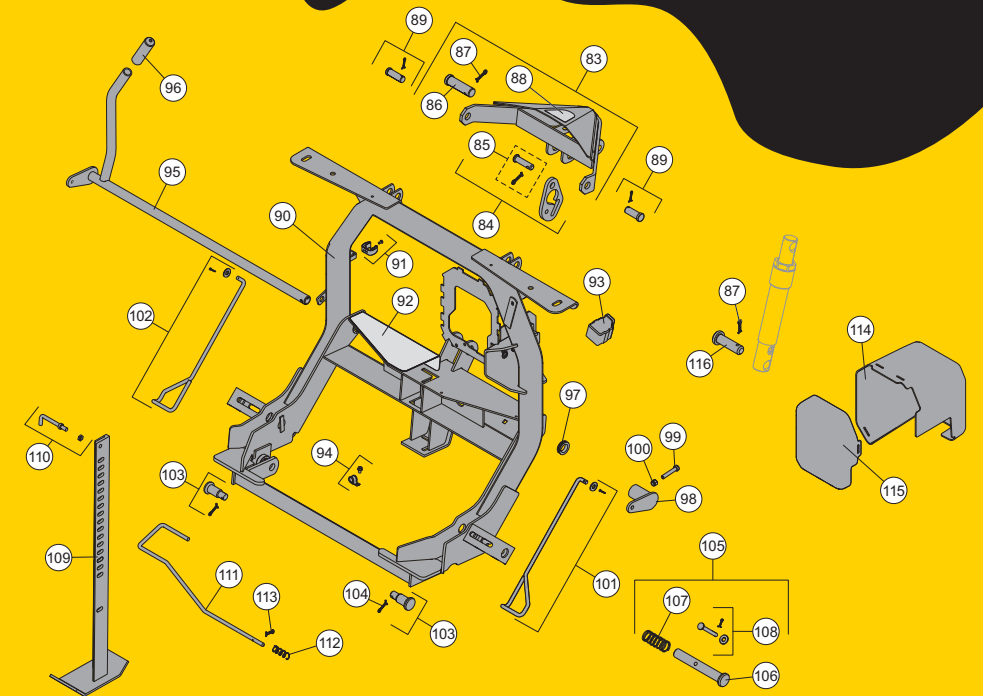
Copyright © 2017 Douglas Dynamics, LLC. All rights reserved. This material may not be reproduced or copied, in whole or in part, in any printed, mechanical, electronic, film, or other distribution and storage media, without the written consent of Fisher Engineering. Authorization to photocopy items for internal or personal use by Fisher Engineering outlets or snowplow owner is granted.

Fisher Engineering reserves the right under its product improvement policy to change construction or design details and furnish equipment when so altered without reference to illustrations or specifications used. Fisher Engineering or the vehicle manufacturer may require or recommend optional equipment for snow removal. Do not exceed vehicle ratings with a snowplow. Fisher Engineering offers a limited warranty for all snowplows and accessories. See separately printed page for this important information. The following are registered (®) or unregistered (™) trademarks of Douglas Dynamics, LLC: FISHER®, Minute Mount® 2, SECURITY GUARD™, STORM GUARD™.



Fisher Engineering
50 Gordon Drive
Rockland, ME 04841

www.fisherplows.com



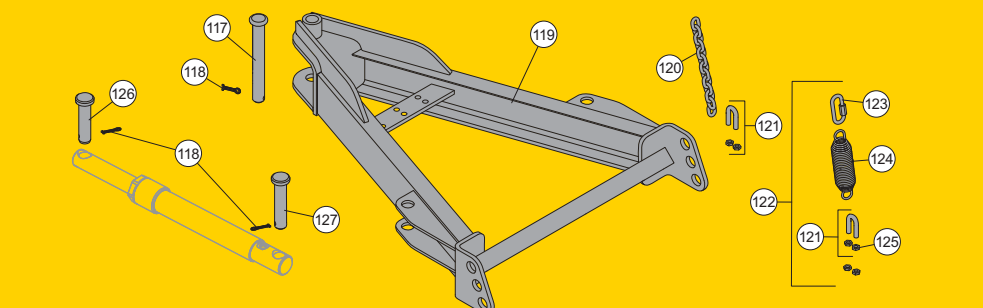
HEADGEAR

Item	Part	Description	Item	Part	Description
83	26757-1	Lift Arm Kit (yellow)	101	27167K	Wire Cam Kit - PS
84	28991	Stop Link Kit	102	27166K	Wire Cam Kit - DS
85	29037	5/8 x 2-5/8 Clevis Pin G8 with Cotter	103	27177	Step Pin Kit
86	95720	1 x 3-5/16 Clevis Pin HT	104	90601	1/4 x 1-1/2 Cotter Pin
87	90601	1/4 x 1-1/2 Cotter Pin	105	27168K	Connecting Pin Kit
88	26777	Label - Nameplate, Minute Mount® 2	106	26833	1 x 6-15/16 Clevis Pin
89	4289K	3/4 x 2 Machine Pin Packet	107	821	1 x 3-1/2 Compression Spring
90	49528	Headgear SD	108	26219	Clevis Pin Kit
91	27162K-1	Stop Clip Kit	109	27741	Jack SD
92	27451	Label - Attach/Detach, Minute Mount 2	110	27164K	Handle Kit
93	8284K	Cable Boot	111	27478	Jack Lock
94	49522 [†]	Clamp Loop Kit	112	27461	3/4 x 3-1/2 Compression Spring
95	27468	Handle - Link Arm Assembly	113	90658	5/32 x 1-1/4 Cotter Pin
96	27535	Handle Cover Kit	97	27163K	Snap-In Bushing Kit (2 bushings)
97	27163K	Snap-In Bushing Kit (2 bushings)	114 [†]	68312-1	Hydraulic Cover, Front
98	27465	Link Arm	115 [†]	68313-1	Hydraulic Cover, Rear
99	90043	3/8-16 x 2 Hex Cap Screw G5	116	6814	1 x 3-5/16 Clevis Pin
100	91333	3/8-16 Hex Locknut GB	ns	69689	Label - SECURITY GUARD™

ns = not shown

G = Grade

HT = Heat Treated



A-FRAME

Item	Part	Description	Item	Part	Description
117	27979	1 x 8 Pivot Pin	123	68340	Quick Link
118	90601	1/4 x 1-1/2 Cotter Pin	124	27074	Spring
119	27995-1	A-Frame	125	91413	3/8-16 Hex Nut G5
120	27912-1	5/16 Lift Chain Bag G30	126	6816	1 x 4 Clevis Pin
121	A6148K	U-Bolt Assembly Packet	127	22260	1 x 4-3/4 Clevis Pin
122	49521	Spring/U-Bolt/Link Kit			

G = Grade