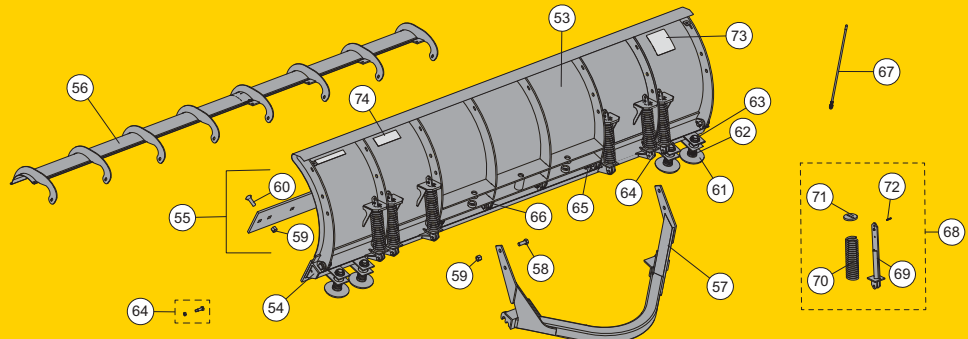


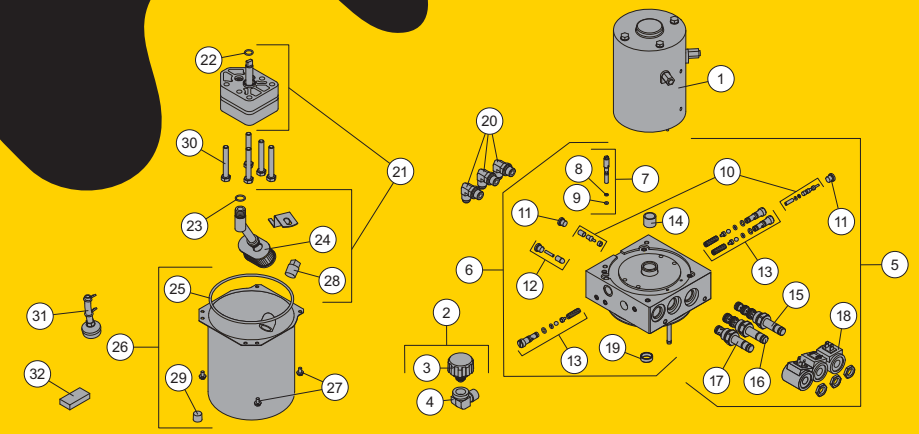
# MC SERIES SNOWPLOWS



### BLADE ASSEMBLY

Item	Description	Part		Item	Description	Part	
		9' Blade	10' Blade			9' Blade	10' Blade
53	Blade Assembly MC	29250	29350	55	Steel Cutting Edge Accessory Kit	27362	27239
54	Base Angle	26949	26950	56	SnoFoil® Accessory	22380	22200
Item	Part	Description	Item	Part	Description		
57	28639	Angle Frame	68	21452	Removable Spring Assembly		
58	90286	3/4-10 x 2 Hex Cap Screw G5	69	21450	Removable Spring Bar		
59	90645	3/4-10 Hex Locknut	70	5323	Trip Spring		
60	98034	3/4-10 x 2 Carriage Bolt G5	71	20191	Removable Spring Disc		
61	26523	Shoe Assembly Solid Cast	72	20181	1/4 x 1-1/4 Pin		
62	7902K	Shoe Spacer Packet (qty 5)	73	59900	Label - Warning/Caution, Snowplows		
63	308K	Shoe Pin Packet (qty 1)	74	26211	Label - Identity, STORM GUARD™		
64	40905	Shoulder Bolt with Locknut	ns	20238	Label - FISHER® Splatter		
65	7903K	1 x 4 Anchor Pin with Cotter	ns	26490	Steel Deflector Accessory (9' blade only)		
66	27241	1 x 2-3/4 Clevis Pin with Cotter	ns	22390	Rubber Deflector Accessory		
67	27195	Flexible Blade Guide Kit 26" (set of 2)					

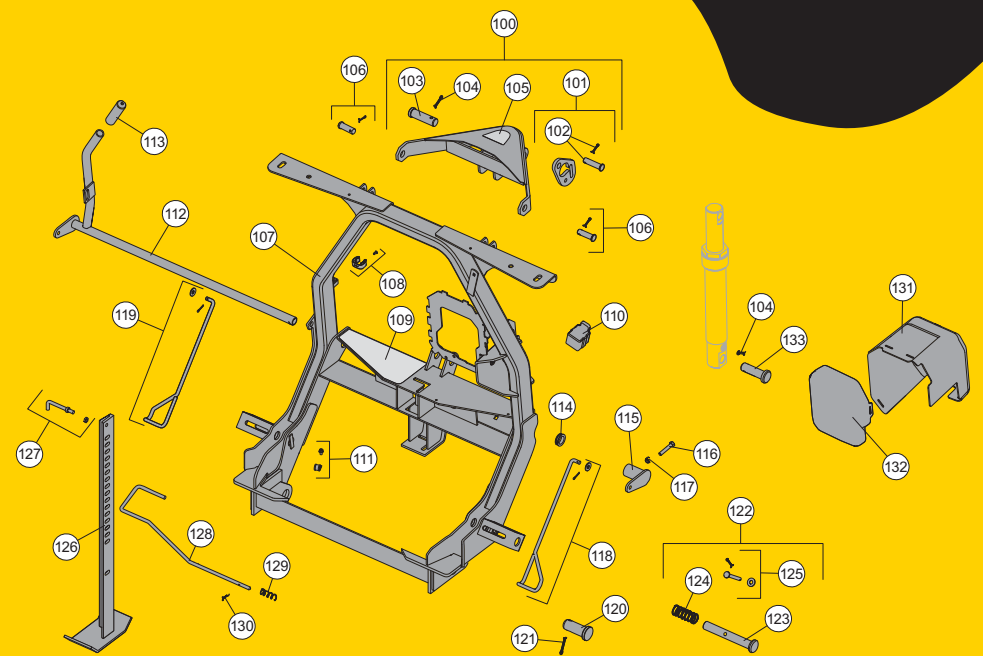
G = Grade      ns = not shown



### HYDRAULIC UNIT

Item	Part	Description	Item	Part	Description
-	42290*	Hydraulic Unit Service Kit	18	7639K-2	Coil w/Spades
-	42295	Hydraulic Unit 2500 psi	19	66515*	Pump Shaft Seal
1	21500K-1	Motor, 4-1/2"	20	56725	Elbow, 90° -6 M JIC/-6 M ORB
2	22344K	Elbow, Street 90° w/Breather	21	21501K-1	Hydraulic Pump Kit
3	21727-2	Breather Pressure Control	22	56274	O-Ring -013
4	21726	Elbow, Street 90° 3/8 M NPTF/3/8 F NPTF	23	56416	O-Ring -014
5	42294-1	Valve Manifold Assembly	24	26781-3	Suction Filter
6	42292-1	Manifold Assembly	25	66519	O-Ring -2-250
7	56662	Quill Assembly	26	21830	Reservoir Kit
8	56315	Back-Up Ring -006	27	66607	10-24 x 5/16 Machine Screw Slotted Washer Head
9	25622	O-Ring -006	28	92079	Plug, Square 3/8 NPTF
10	7630K	Poppet Check Valve Kit	29	92095	Plug, Hex Socket 1/4 NPTF w/Thread Sealant
11	92960	Plug, Hex Socket -3 M ORB	30	90073	5/16-18 x 2-1/4 Hex Cap Screw
12	56507	Bypass Check Valve Kit	31	66405	Return Screen Assembly
13	7629K-3	Relief Valve Kit (set of 2)	32	73897	Magnet
14	64596-1*	Sleeve Bearing and Shaft Seal Kit	<b>O-Ring Service Kits</b>		
15	7637K-1	Cartridge Valve, 4-Way w/Nut	ns	7632K-4	O-Ring & Back-Up Ring Kit
16	66608K-1	Cartridge Valve, 3-Way w/Nut	ns	49258-2	Seal Kit, 2-Way Valve
17	7634K-2	Valve, 2-Way w/Nut	ns	49259-2	Seal Kit, 3-Way & 4-Way Valve

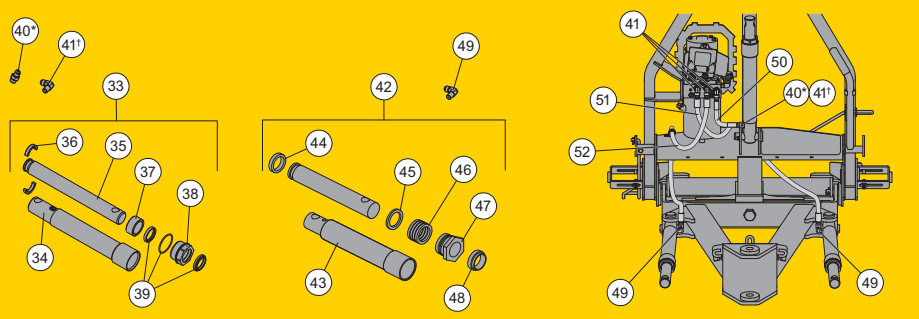
\* Includes 42295 hydraulic unit and plow-side electrical components (shown separately). Not used for central hydraulics.  
 † Use 64589 tool for bearing sleeve replacement (includes 1 bearing).      ‡ Use 28856 tool for pump shaft seal replacement (includes 1 seal).  
 ns = not shown      F = Female      M = Male



### HEADGEAR

Item	Part	Description	Item	Part	Description
100	28350-2	Lift Arm Kit - MC (yellow)	118	27167K	Wire Cam Kit - PS
101	28991	Stop Link Kit	119	27166K	Wire Cam Kit - DS
102	29037	5/8 x 2-5/8 Clevis Pin G8 with Cotter	120	26164	1-1/4 x 3-1/16 Pin
103	95720	1 x 3-5/16 Clevis Pin HT	121	90013	1/4 x 2 Cotter Pin
104	90601	1/4 x 1-1/2 Cotter Pin	122	27168K	Connecting Pin Kit
105	26777	Label - Nameplate, Minute Mount® 2	123	26833	1 x 6-15/16 Clevis Pin
106	4289K	3/4 x 2 Machine Pin Packet	124	821	1 x 3-1/2 Compression Spring
107	49527	Headgear MC	125	26219	Clevis Pin Kit
108	27162K-1	Stop Clip Kit	126	26172	Jack MC
109	27451	Label - Attach/Detach, Minute Mount 2	127	27164K	Handle Kit
110	8284K	Cable Boot	128	27478	Jack Lock
111	49522†	Clamp Loop Kit	129	27461	3/4 x 3-1/2 Compression Spring
112	27468	Handle - Link Arm Assembly	130	90658	5/32 x 1-1/4 Cotter Pin
113	27535	Handle Cover Kit	131†	68312-1	Hydraulic Cover, Front
114	27163K	Snap-In Bushing Kit (2 bushings)	132†	68313-1	Hydraulic Cover, Rear
115	27465	Link Arm	133	6814	1 x 3-5/16 Clevis Pin
116	90043	3/8-16 x 2 Hex Cap Screw G5	ns	69689	Label - SECURITY GUARD™
117	91333	3/8-16 Hex Locknut GB	† Not used for central hydraulics.		

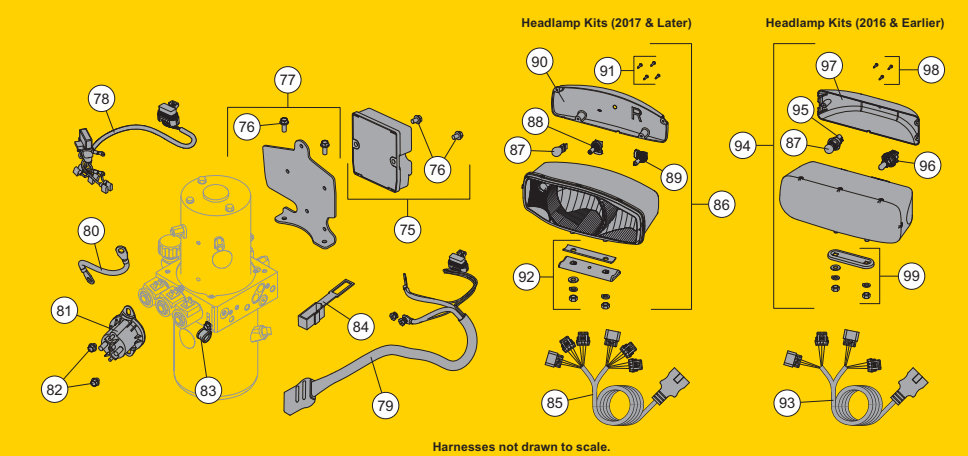
ns = not shown      G = Grade      HT = Heat Treated



### RAMS, HOSES & FITTINGS

Item	Part	Description	Item	Part	Description
33	56740	2 x 10 Lift Ram Assembly	43	6996	2 x 16 Cylinder
34	56676	2 x 10 Cylinder Assembly	44	48413	Spiral Retainer Ring Kit
35	64152	Rod Assembly 2" (includes split bearing)	45	91174	Flat Washer 2.031 ID x 2.5 OD
36	64151	Split Bearing Kit 2"	46	3623	Packing Set
37	56733	Spacer	47	25948	Packing Nut 2"
38	56734	Gland Nut	48	55210	Wiper
39	64153	Seal Kit w/2" Polypak Seal	49	95604	Elbow, 90° -6 M JIC/1/4 M NPTF
40	49526*	Connector -6 M JIC/-6 M ORB	50	56832*	Hose, 1/4 x 8 w/F JIC Ends
41	56725†	Elbow 90° -6 M JIC/-6 M ORB	51	44348*	Hose, 3/8 x 42 w/F JIC Ends
42	A5166K	2 x 16 Angle Ram Assembly	52	49501*	Hose, 3/8 x 36 w/F JIC Ends

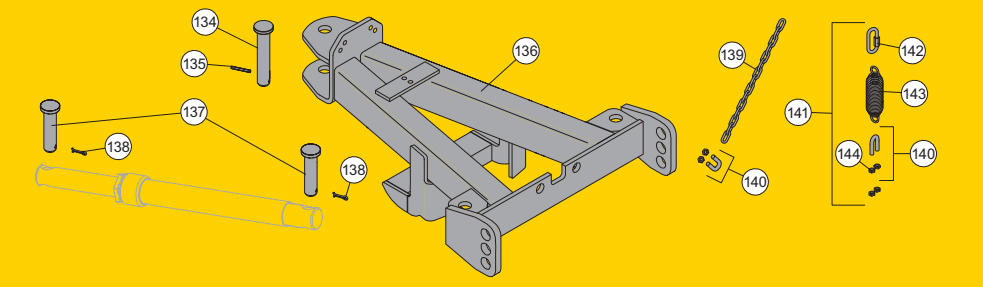
\* Not used for central hydraulics.      † Central hydraulics only.  
 F = Female      M = Male



### ELECTRICAL COMPONENTS

Item	Part	Description	Item	Part	Description
75	49567	Plow Module, 2-Port	87	-	Park/Turn Bulb (Trade No. 4157NAK)
76	44355	1/4-20 x 5/8 Hex Washer-Head Thread-Rolling Screw	88	38811	Headlamp Bulb Service Kit H11
77	42287	Bracket - Plow Module	89	38809	Headlamp Bulb Service Kit H9
ns	98043	3/8-16 x 1 Button Cap Screw w/Flange	90	38803	Rear Cover Kit H9/H11 - PS
78	28581-1	Harness Plow Control 3-Solenoid	ns	38812	Rear Cover Kit H9/H11 - DS
79	42015	Snowplow Battery Cable	91	38808	Cover Screws Service Kit H9/H11 (pkg of 4)
80	29071	Cable Assembly 8"	92	38804	Mounting Hardware Kit H9/H11
81	42901	Motor Relay Kit FLEET FLEX	93	28213K	Harness Service Kit H13
82	29099	1/4-20 x 1/4 Hex Washer-Head Thread-Rolling Screw	94	28802-1	Headlamp Service Kit H13 - PS
83	49522	Clamp Loop Kit	ns	28801-1	Headlamp Service Kit H13 - DS
ns	42014†	Vehicle Battery Cable	95	28805	Park/Turn Socket Service Kit
ns	28587†	Vehicle Control Harness	96	28806	Headlamp Bulb Service Kit H13
ns	26498	Vehicle Control Harness - Central Hydraulics	97	28803-1	Rear Cover Kit H13 (fits 2- or 3-screw)
84	8291K	Plug Cover	98	28808-1	Cover Screws Service Kit H13 (pkg of 3)
85	38807	Harness Service Kit H9/H11	99	28804	Mounting Hardware Kit H13
86	38802	Headlamp Service Kit H9/H11 - PS	ns	56099	Dielectric Grease 0.25 oz Tube
ns	38801	Headlamp Service Kit H9/H11 - DS	† Not used for central hydraulics.		

ns = not shown



### A-FRAME

Item	Part	Description	Item	Part	Description
134	20789	1-1/4 x 6-3/4 Pivot Pin	140	A6148K	U-Bolt Assembly Packet
135	90013	1/4 x 2 Cotter Pin	141	42423	Spring/U-Bolt/Link Kit
136	27850	A-Frame MC	142	68616	Quick Link
137	20790	1-1/4 x 5 Commercial Ram Pin	143	27074	Extension Spring
138	90601	1/4 x 1-1/2 Cotter Pin	144	91413	3/8-16 Hex Nut G5
139	28351-1	3/8 Grade 30 Proof Chain Bag - MC	G = Grade		

Copyright © 2017 Douglas Dynamics, LLC. All rights reserved. This material may not be reproduced or copied, in whole or in part, in any printed, mechanical, electronic, film, or other distribution and storage media, without the written consent of Fisher Engineering. Authorization to photocopy items for internal or personal use by Fisher Engineering outlets or snowplow owner is granted.

Fisher Engineering reserves the right under its product improvement policy to change construction or design details and furnish equipment when so altered without reference to illustrations or specifications used. Fisher Engineering or the vehicle manufacturer may require or recommend optional equipment for snow removal. Do not exceed vehicle ratings with a snowplow. Fisher Engineering offers a limited warranty for all snowplows and accessories. See separately printed page for this important information. The following are registered (®) or unregistered (™) trademarks of Douglas Dynamics, LLC: FISHER®, Minute Mount® 2, SECURITY GUARD™, STORM GUARD™.

Lit. No. 75574, Rev. 00      Printed in U.S.A.      June 15, 2017



www.fisherplows.com