



**Fisher Engineering**

50 Gordon Drive, Rockland, Maine 04841-2139 • www.fisherplows.com

**85280/85285**

**85240**

April 15, 2017

Lit. No. 85283, Rev. 01

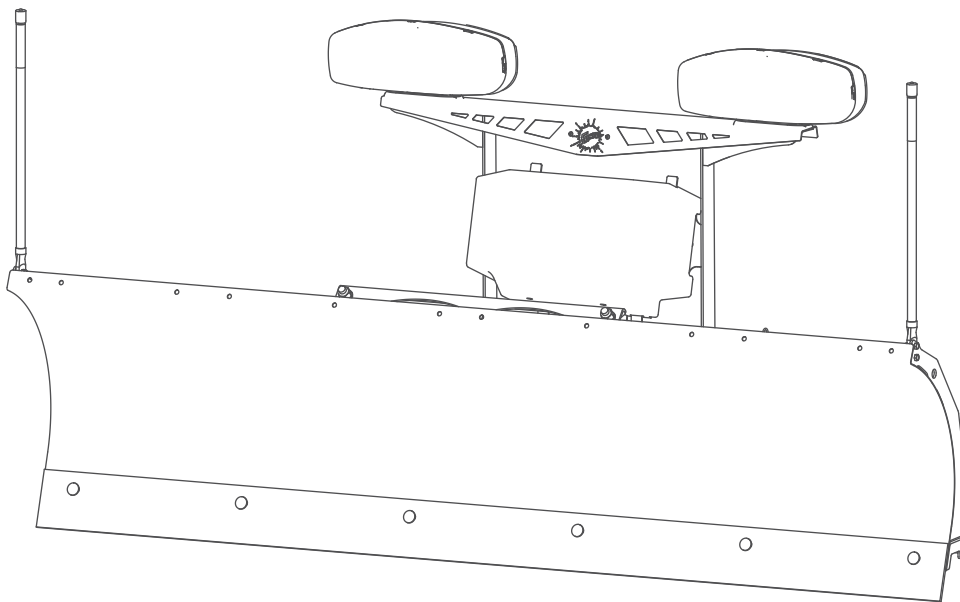


## **HS Compact Plow**

**Blade Assembly 85280/85285**

**Big Box Assembly 85240**

### **Parts List**



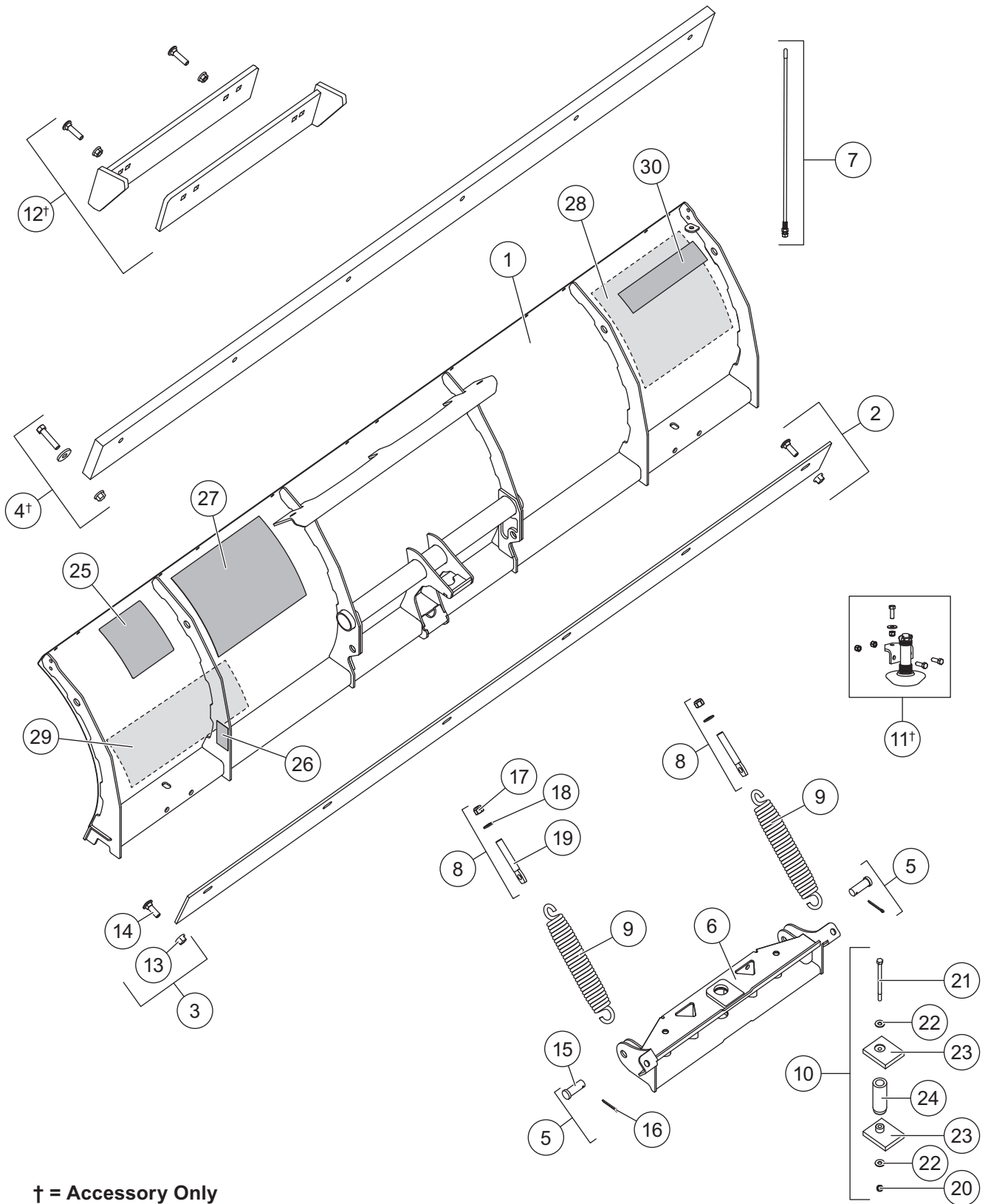


**TABLE OF CONTENTS**

---

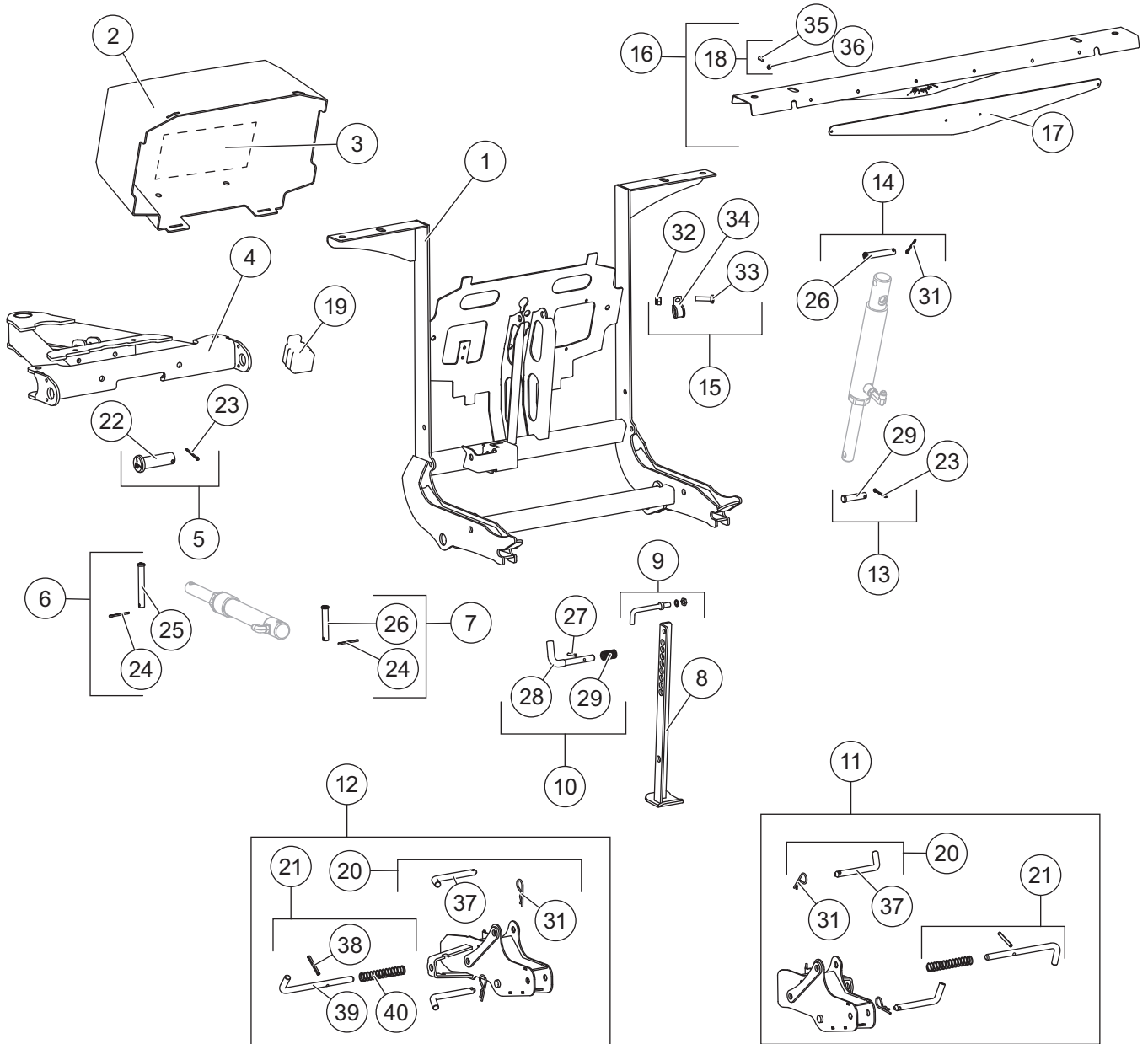
|  |           |
|--|-----------|
| <b>COMPACT PLOW ASSEMBLY .....</b>         | <b>4</b>  |
| <b>HEADGEAR AND A-FRAME ASSEMBLY .....</b> | <b>6</b>  |
| <b>HYDRAULIC COMPONENTS .....</b>          | <b>8</b>  |
| Hydraulic Unit.....                        | 8         |
| Lift and Angle Rams .....                  | 10        |
| Hoses and Fittings.....                    | 10        |
| <b>VEHICLE-SIDE HARNESS DIAGRAM.....</b>   | <b>11</b> |
| <b>HEADLAMP KIT .....</b>                  | <b>12</b> |

Blade Components





Headgear and A-Frame Components



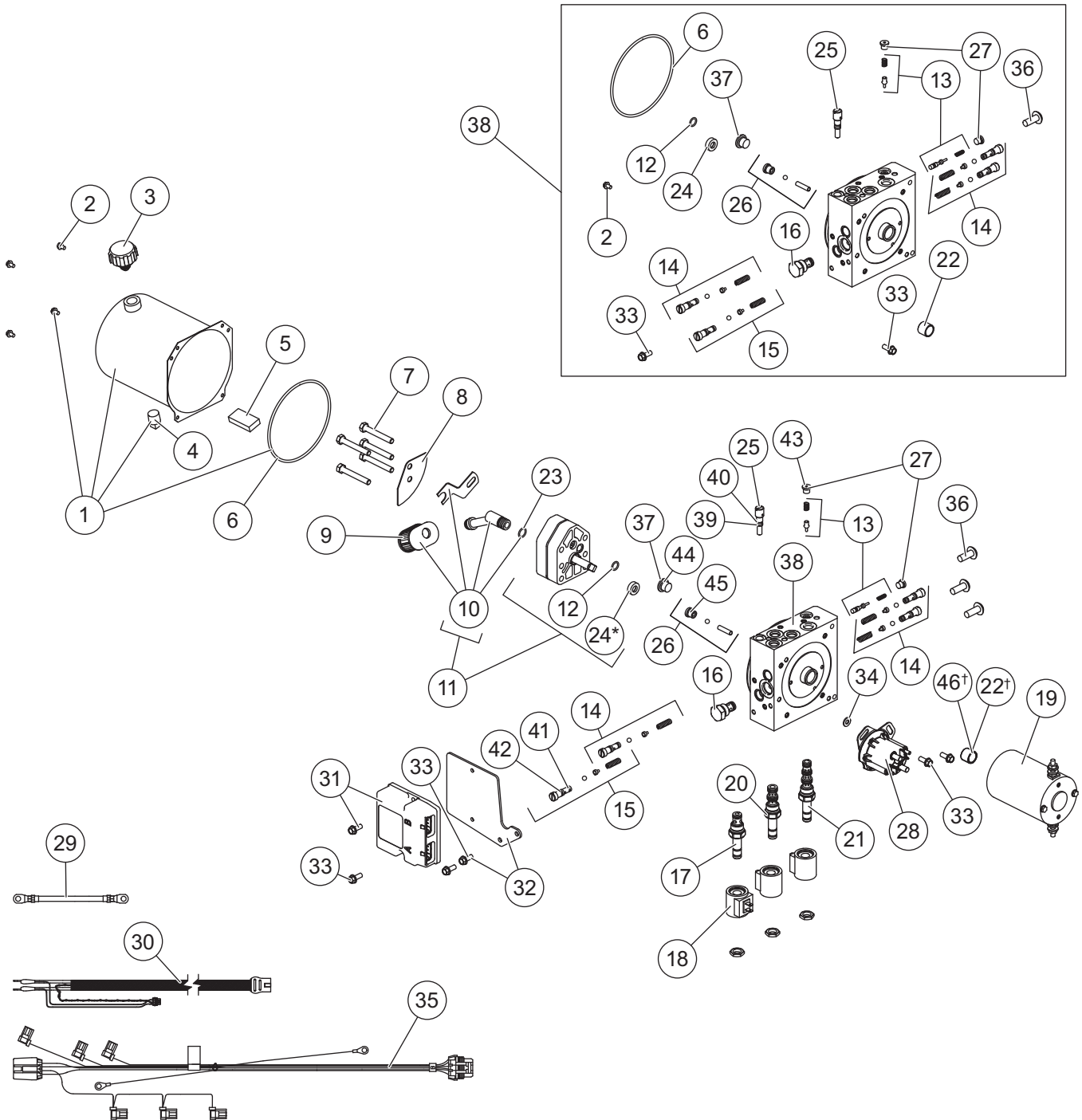
# HEADGEAR AND A-FRAME ASSEMBLY

85280/85285

85240

| <b>Compact Plow Headgear and A-Frame Components</b> |             |            |                                |   |             |                      |                             |
|---|-------------|------------|--------------------------------|---|-------------|----------------------|-----------------------------|
| <b>Item</b>   | <b>Part</b> | <b>Qty</b> | <b>Description</b>             | <b>Item</b>                             | <b>Part</b> | <b>Qty</b>           | <b>Description</b>          |
| 1   | 85323       | 1          | Headgear                       | 12                                      | 83791       | 1                    | Receiver Kit, DS            |
| 2   | 85194       | 1          | Hydraulic Cover (incl. item 3) | 13                                      | 84627       | 1                    | Lift Ram Rod Pin Kit        |
| 3   | 84963       | 1          | Label – Hydraulic              | 14                                      | 85199       | 1                    | Lift Ram Base Pin Kit       |
| 4   | 85324       | 1          | A-Frame                        | 15                                      | 84778       | 1                    | Power Cable Clamp Loop Kit  |
| 5   | 7904K       | 2          | A-Frame Pin Kit                | 16                                      | 85325       | 1                    | Light Bar                   |
| 6   | 83629       | 2          | Angle Ram Rod Pin Kit          | 17                                      | 85326       | 1                    | Backer Plate                |
| 7   | 85198       | 2          | Angle Ram Base Pin Kit         | 18                                      | 85331       | 1                    | Light Bar Hardware Kit      |
| 8   | 85650       | 1          | Stand                          | 19                                      | 61246       | 1                    | Cable Boot                  |
| 9   | 27164K      | 1          | Stand Handle Kit               | 20                                      | 84610       | 4                    | Receiver Pin Kit            |
| 10  | 83881       | 1          | Stand Pin Kit                  | 21                                      | 83886       | 1                    | Hitchpin Kit                |
| 11  | 83792       | 1          | Receiver Kit, PS               |   |             |                      |                             |
| <b>Item 5</b>                                       |             |            |                                | <b>7904K A-Frame Pin Kit</b>            |             |                      |                             |
| 22  |             | 1          | 1 x 3-5/16 Clevis Pin          | 23                                      |             | 1                    | 1/4 x 1-1/2 Cotter Pin      |
| <b>Item 6</b>                                       |             |            |                                | <b>83629 Angle Ram Pin Kit</b>          |             |                      |                             |
| 24  |             | 1          | 5/32 x 1-1/2 Cotter Pin        | 25                                      |             | 1                    | 1/2 x 3-11/16 Clevis Pin HT |
| <b>Item 7</b>                                       |             |            |                                | <b>85198 Angle Ram Base Pin Kit</b>     |             |                      |                             |
| 24  |             | 1          | 5/32 x 1-1/2 Cotter Pin        | 26                                      |             | 1                    | 1/2 x 2-7/8 Clevis Pin HT   |
| <b>Item 10</b>                                      |             |            |                                | <b>83881 Stand Pin Kit</b>              |             |                      |                             |
| 27  |             | 1          | 3/16 x 1-1/4 Roll Pin BP       | 29                                      |             | 1                    | Spring Lock Pin Stand       |
| 28  | 69527       | 1          | Pin Lock Stand                 |   |             |                      |                             |
| <b>Item 11</b>                                      |             |            |                                | <b>83792 Receiver Kit, PS</b>           |             |                      |                             |
|   |             | 1          | Receiver, PS                   | 21                                      | 83886       | 1                    | Hitch Pin Kit               |
| 20  | 84610       | 2          | Receiver Pin Kit               |   |             |                      |                             |
| <b>Item 12</b>                                      |             |            |                                | <b>83791 Receiver Kit, DS</b>           |             |                      |                             |
|   |             | 1          | Receiver, DS                   | 21                                      | 83886       | 1                    | Hitchpin Kit                |
| 20  | 84610       | 2          | Receiver Pin Kit               |   |             |                      |                             |
| <b>Item 13</b>                                      |             |            |                                | <b>84627 Lift Ram Rod Pin Kit</b>       |             |                      |                             |
| 23  |             | 1          | 5/32 x 1-1/2 Cotter Pin        | 29                                      |             | 1                    | 1/2 x 2-1/8 Clevis Pin HT   |
| <b>Item 14</b>                                      |             |            |                                | <b>85199 Lift Ram Base Pin Kit</b>      |             |                      |                             |
| 26  |             | 1          | 1/2 x 2-7/8 Clevis Pin HT      | 31                                      |             | 1                    | 1/8 Hairpin Cotter          |
| <b>Item 15</b>                                      |             |            |                                | <b>84778 Power Cable Clamp Loop Kit</b> |             |                      |                             |
| 32  |             | 1          | 1/4-20 Hex Locknut GB          | 34                                      |             | 1                    | #10 Clamp Loop              |
| 33  |             | 1          | 1/4-20 x 1 Hex Cap Screw G5    |   |             |                      |                             |
| <b>Item 18</b>                                      |             |            |                                | <b>85331 Light Bar Hardware Kit</b>     |             |                      |                             |
| 35  |             | 4          | 8-32 x 1/2 Machine Screw       | 36                                      |             | 1                    | 8-32 Locknut                |
| <b>Item 20</b>                                      |             |            |                                | <b>84610 Receiver Pin Kit</b>           |             |                      |                             |
| 31  |             | 1          | 1/8 Hairpin Cotter             | 37                                      |             | 1                    | 1/2 x 4 Clevis Pin          |
| <b>Item 21</b>                                      |             |            |                                | <b>83886 Hitchpin Kit</b>               |             |                      |                             |
| 38  |             | 1          | 1/4 x 2 Roll Pin BP            | 40                                      | 85253       | 1                    | 0.72 OD x 4-1/4 Spring      |
| 39  |             | 1          | Hitch Pin HT                   |   |             |                      |                             |
|   |             | G = Grade  |                                |   |             | HT = Heat Treated    |                             |
|   |             |            |                                |   |             | SS = Stainless Steel |                             |

Hydraulic Unit Components





## HYDRAULIC COMPONENTS

| 84949 Hydraulic Unit |          |     |  |           |         |     |   |
|----------------------|----------|-----|--|-----------|---------|-----|---|
| Item                 | Part     | Qty | Description  | Item      | Part    | Qty | Description   |
| 1                    | 48538    | 1   | Reservoir Kit                                      | 25        | 48517   | 1   | Quill   |
| 2                    | 66607    | 4   | 10-24 x 5/16 Machine Screw Slotted Hex Washer Head | 26        | 48518   | 1   | Check Valve Assembly  |
| 3                    | 21727-2  | 1   | Breather 3/8 NPT Kit                               | 27        | 92960   | 2   | 3/8-24 O-Ring Boss Plug   |
| 4                    | 92079    | 1   | Plug 3/8 NPTF                                      | 28        | 52290   | 1   | Motor Relay   |
| 5                    | 73897    | 1   | Magnet   | 29        | 29071   | 1   | Cable Assy 8"   |
| 6                    | 66519    | 1   | O-Ring 2 -250                                      | 30        | 42015   | 1   | Cable Assy Plow   |
| 7                    | 90073    | 5   | 5/16-18 x 2-1/4 Hex Cap Screw G5                   | 31        | 49567   | 1   | Plow Module   |
| 8                    | 48464    | 1   | Plate Baffle                                       | 32        | 84957   | 1   | Module Plate w/Screws   |
| 9                    | 26781-3  | 1   | Suction Filter                                     | 33        | 44355   | 6   | 1/4-20 x 5/8 Hex Washer Head Thread-Rolling Screw   |
| 10                   | 66763-1  | 1   | Inlet Fitting/Filter Kit                           | 34        | 91119   | 1   | 3/16 Flat Washer Type A Special   |
| 11                   | 27746    | 1   | Hydraulic Pump Kit – IA                            | 35        | 28581-1 | 1   | Harness Plow Control 3 Solenoid   |
| 12                   | 56274    | 1   | O-Ring -013  | 36        | 98043   | 3   | 3/8-16 x 1 Button Head Cap Screw  |
| 13                   | 7630K    | 1   | Poppet Check Valve Kit                             | 37        | 56532   | 1   | Plug -6 SAE O-Ring Boss   |
| 14                   | 7629K-3  | 2   | Relief Valve Kit (2 Sets)                          | 38        | 84950   | 1   | Manifold Assy w/ Valves (incl. items 2, 6, 12, 13, 14, 15, 16, 22, 24, 25, 26, 27, 33, 35 and 36) |
| 15                   | 27792-1  | 1   | Relief Valve Repair Kit                            | 39        | 48239   | 1   | O-Ring -106   |
| 16                   | 44333-1  | 1   | Check Valve CV08-20                                | 40        | 48240   | 1   | Back-Up Ring -106   |
| 17                   | 7634K-2  | 1   | Valve 2-Way w/Nut                                  | 41        | 55371   | 4   | O-Ring -008   |
| 18                   | 7639K-2  | 3   | Coil w/Spade Terminals                             | 42        | 25731   | 4   | O-Ring -010   |
| 19                   | 48543-1  | 1   | Motor Assembly 3"                                  | 43        | 26784   | 2   | O-Ring -903   |
| 20                   | 66608K-1 | 1   | Cartridge Valve 3-Way w/Nut                        | 44        | 56569   | 1   | O-Ring -906   |
| 21                   | 7637K-1  | 1   | Cartridge Valve 4-Way w/Nut                        | 45        | 44343   | 1   | O-Ring -904   |
| 22†                  | 56364    | 1   | Bearing, Sleeve                                    | 46†       | 64596-1 | 1   | Sleeve Bearing and Shaft Seal Kit   |
| 23                   | 56416    | 1   | O-Ring -014  |           |         |     |   |
| 24*                  | 66515    | 1   | Pump Shaft Seal                                    |           |         |     |   |
| O-Ring Service Kits  |          |     |  |           |         |     |   |
| ns                   | 7632K-3  | –   | O-Ring & Back-Up Ring Kit                          | ns        | 49259-2 | –   | Seal Kit Cartridge 3-Way and 4-Way  |
| ns                   | 49258-2  | –   | Seal Kit 2-Way Valve                               |           |         |     |   |
| ns = not shown       |          |     |  | G = Grade |         |     |   |

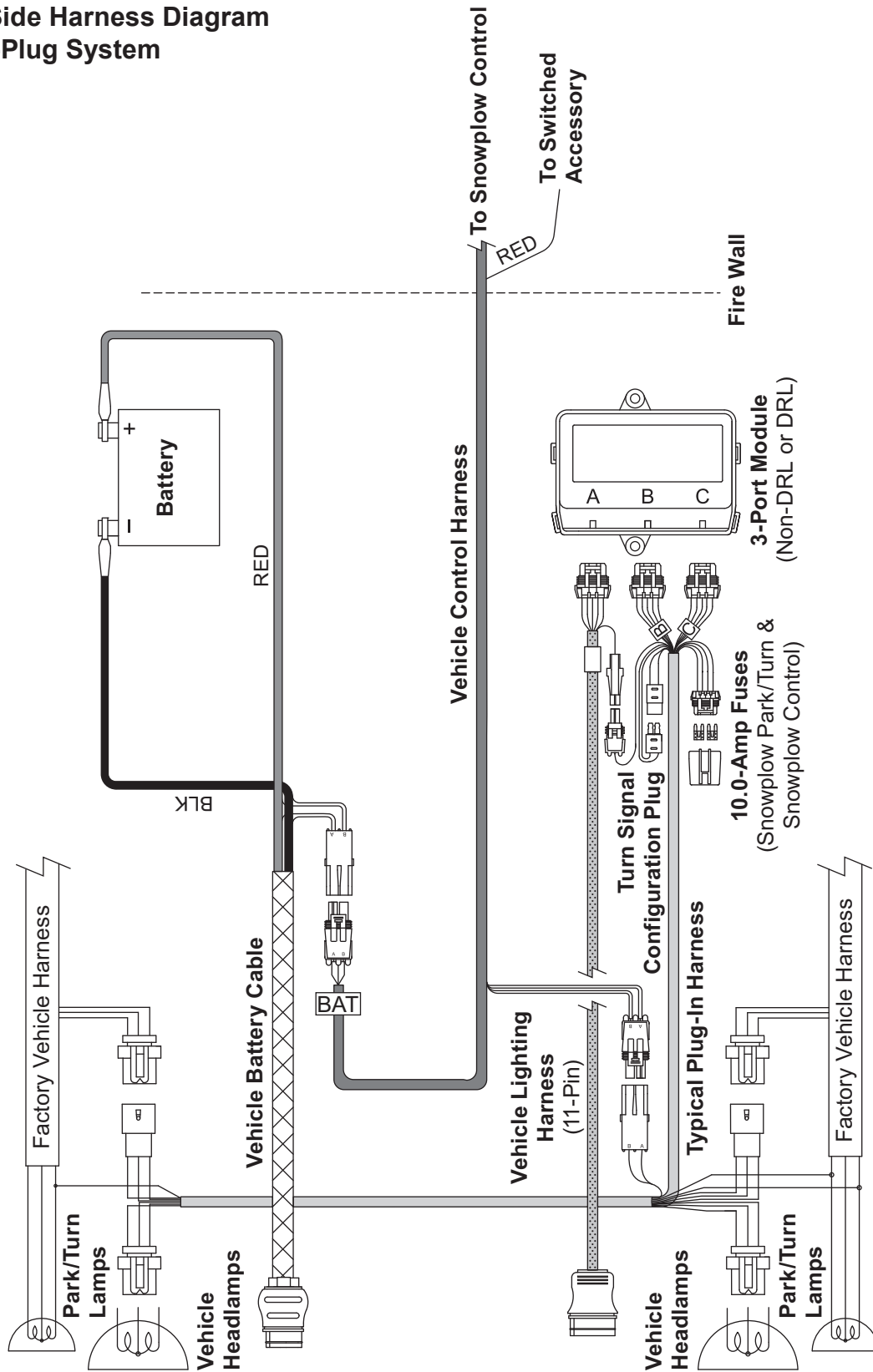
\* Use 28856 tool for pump shaft seal replacement (includes 1 seal).

† Use 64589 tool for bearing sleeve replacement (includes 1 bearing).

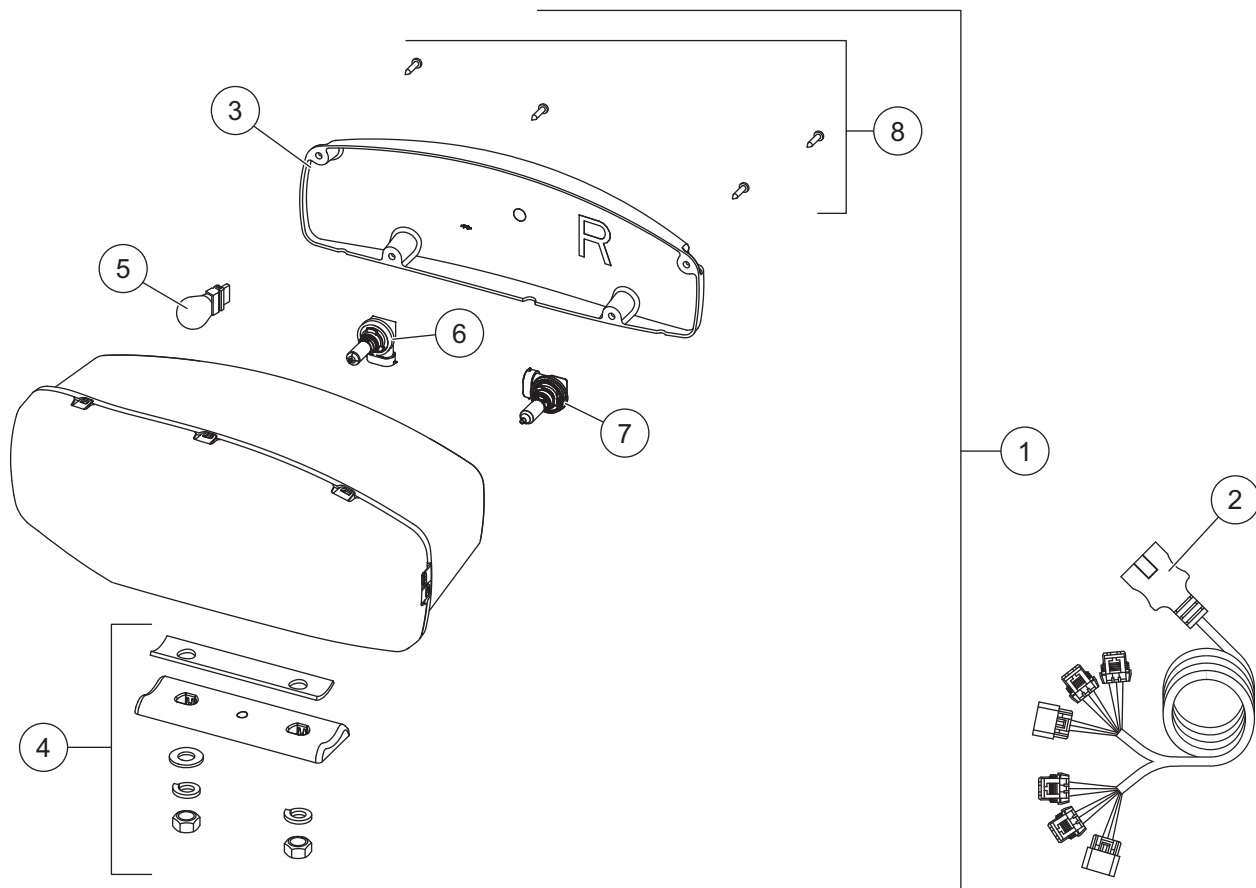
Go to [www.fisherplows.com](http://www.fisherplows.com) for hydraulic unit service information and specifications.



Vehicle-Side Harness Diagram  
3-Port, 2-Plug System



Headlamp Kit



| 38800 Headlamp Kit H9/H11 (Pair) |  |     |                                    |      |                       |     |  |
|----------------------------------|--|-----|------------------------------------|------|-----------------------|-----|--|
| Item                             | Part   | Qty | Description                        | Item | Part                  | Qty | Description                                |
| 1                                | 38802  | 1   | Headlamp Service Kit H9/H11 – PS   | 2    | 38807                 | 1   | Harness Service Kit H9/H11                 |
| ns                               | 38801  | 1   | Headlamp Service Kit H9/H11 – DS   |      |                       |     |  |
| <b>Item 1</b>                    | <b>38801/38802 Headlamp Service Kit H9/H11 – PS/DS</b> |     |                                    |      |                       |     |  |
| 3                                | 38803  | 1   | Rear Cover Kit H9/H11 – PS         | 6    | 38811                 | 1   | H11 Headlamp Bulb Service Kit              |
| ns                               | 38812  | 1   | Rear Cover Kit H9/H11 – DS         | 7    | 38809                 | 1   | H9 Headlamp Bulb Service Kit               |
| 4                                | 38804  | 1   | Mounting Hardware Kit H9/H11       | 8    | 38808                 | 1   | Cover Screws Service Kit H9/H11 (pkg of 4) |
| 5                                |  | 1   | Park/Turn Bulb (Trade No. 4157NAK) |      |                       |     |  |
| ns = not shown                   |  |     | DS = Driver's Side                 |      | PS = Passenger's Side |     |  |





Fisher Engineering  
50 Gordon Drive  
Rockland, ME 04841-2139  
[www.fisherplows.com](http://www.fisherplows.com)

**A DIVISION OF FISHER, LLC**

Copyright © 2017 Douglas Dynamics, LLC. All rights reserved. This material may not be reproduced or copied, in whole or in part, in any printed, mechanical, electronic, film or other distribution and storage media, without the written consent of Fisher Engineering. Authorization to photocopy items for internal or personal use by Fisher Engineering outlets or snowplow owner is granted.

Fisher Engineering reserves the right under its product improvement policy to change construction or design details and furnish equipment when so altered without reference to illustrations or specifications used. Fisher Engineering or the vehicle manufacturer may require or recommend optional equipment for snow removal. Do not exceed vehicle ratings with a snowplow. Fisher Engineering offers a limited warranty for all snowplows and accessories. See separately printed page for this important information. The following is a registered (®) trademark of Douglas Dynamics, LLC: FISHER®, STORM GUARD™.

**Printed in U.S.A.**