

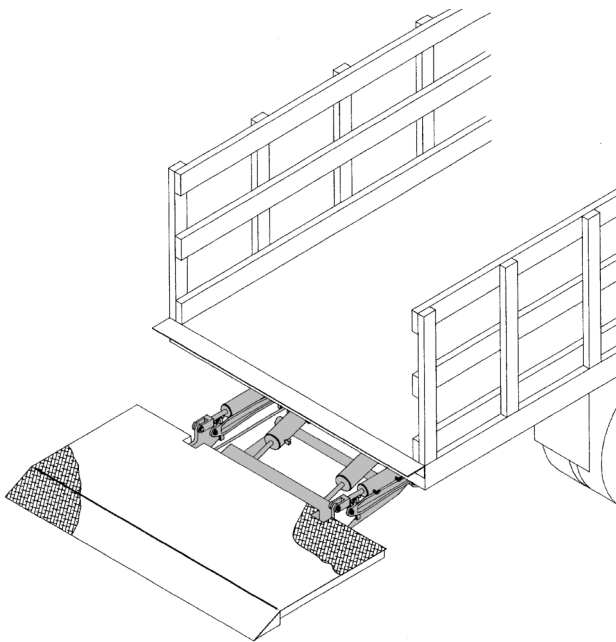
WeightLifter

Tailgates By **THIEMAN**

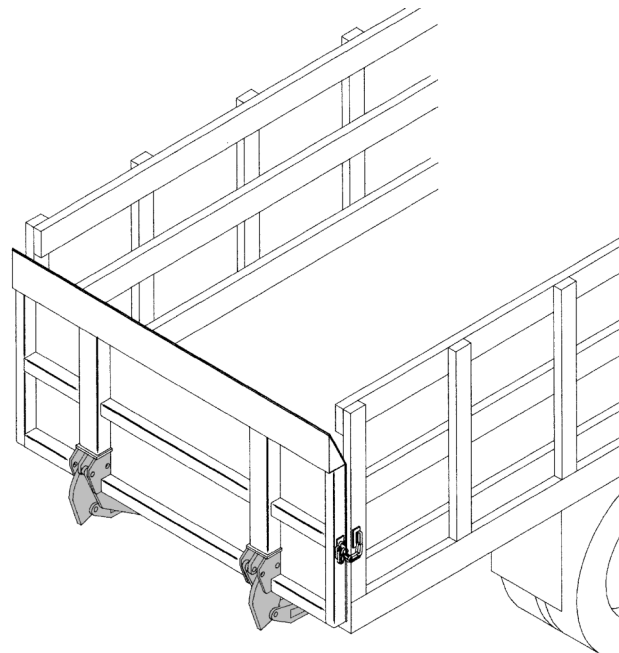
Raising Performance to New Levels

Model WT

Platform in Loading/Unloading Position



Platform in Travel Position



FEATURING:

- Meets TMC Electrical Guidelines
- 84" x 36" to 90" x 48" Platforms
- 2,000 to 4,000 lb. Capacities
- Bed Height Range 40" to 54"
- Dual Cylinder Lift
- Sealed Toggle Switch Control
- Latch Chains and Snubber Kit
- Power Down Lowering
- Cast Bronze Bearings at Pivot Points

Designed for use on stake and van bodies, the THIEMAN WT series is the most durable, dependable, conventional liftgate on the market today. The WT is built with many standard features including a wide-arm, dual cylinder lift, giving maximum lifting stability when handling sizeable loads. With the addition of cast bronze bearings at critical wear points, this conventional style liftgate is built to last for many years.

If you're searching for a conventional liftgate that improves efficiency and saves your company dollars, the THIEMAN WT is your answer.



Features, Benefits and Specifications

STANDARD FEATURES AND BENEFITS:

- | | |
|---|---|
| <ul style="list-style-type: none"> Environmentally Sealed Toggle Switch Control for Enhanced Reliability and Easy Installation Dual Cylinder Lift for Maximum Stability Screw-In Grease Fittings at all Wear Points for Easy Maintenance Latch Chains and Snubber Kits for Increased Safety and Reduced Wear of Liftgate 150 Amp Circuit Breaker for Electrical Protection | <ul style="list-style-type: none"> Adjustable Cylinder Shafts and Idler Arms for Precise Alignment of Truck Floor & Platform Power Down for Better Reliability in Cold Weather Operation Bronze Bushings at Critical Pivot Points for Reduced Maintenance Costs Wider Lift Arms for Maximum Stability Meets All TMC Electrical Guidelines for Reduced Service Requirements |
|---|---|

AVAILABLE OPTIONS FOR WT:

- | | |
|---|---|
| <ul style="list-style-type: none"> In-Cab Shut Off Switch Pump and Motor Cover Power Unit Enclosure Special Platform and Ramp Sizes | <ul style="list-style-type: none"> Aluminum Platform Expanded Metal Platform Bar Grate |
|---|---|

Model No.	Platform	Rated Load Cap. lbs.	Lowering	Approx. Installed Weight	Bed Height Range
WT20EST	84" x 36" + 10"	2000	Power	938	40" to 54"
WT20EST	90" x 36" + 10"	2000	Power	958	40" to 54"
WT20P	84" x 36" + 10"	2000	Power	936	40" to 54"
WT20P	90" x 36" + 10"	2000	Power	956	40" to 54"
WT20EST	90" x 42" + 10"	1750	Power	981	40" to 54"
WT20EST	90" x 48" + 10"	1500	Power	1069	40" to 54"
WT20P	90" x 42" + 10"	1750	Power	989	40" to 54"
WT20P	90" x 48" + 10"	1500	Power	1051	40" to 54"
WT30EST	84" x 36" + 10"	3000	Power	936	40" to 54"
WT30EST	90" x 36" + 10"	3000	Power	956	40" to 54"
WT30P	84" x 36" + 10"	3000	Power	906	40" to 54"
WT30P	90" x 36" + 10"	3000	Power	926	40" to 54"
WT30EST	90" x 42" + 10"	2500	Power	1009	40" to 54"
WT30EST	90" x 48" + 10"	2000	Power	1081	40" to 54"
WT30P	90" x 42" + 10"	2500	Power	1037	40" to 54"
WT30P	90" x 48" + 10"	2000	Power	1101	40" to 54"
WT40EST	90" x 36" + 10"	4000	Power	1006	40" to 54"
WT40EST	90" x 42" + 10"	3500	Power	1059	40" to 54"
WT40EST	90" x 48" + 10"	3000	Power	1121	40" to 54"
WT40P	90" x 36" + 10"	4000	Power	1055	40" to 54"
WT40P	90" x 42" + 10"	3500	Power	1059	40" to 54"
WT40P	90" x 48" + 10"	3000	Power	1135	40" to 54"

Note: On "P" Model Gates a 70% ratio PTO is recommended

EST - Electric w/Toggle Switch Control, Power Down/Power Close
 P - PTO w/Power Close

Distributed By:

THIEMAN Reserves the right to Change Products Specifications at any time Without Prior Notice.
 Printed in U.S.A. Rev. 5/10 • 2M • M70079



600 East Wayne Street
 Celina, Ohio 45822
 Phone: 419-586-7727 or
 800-524-5210
 Fax: 419-586-9724
www.thiemantailgates.com
info@thiemantailgates.com